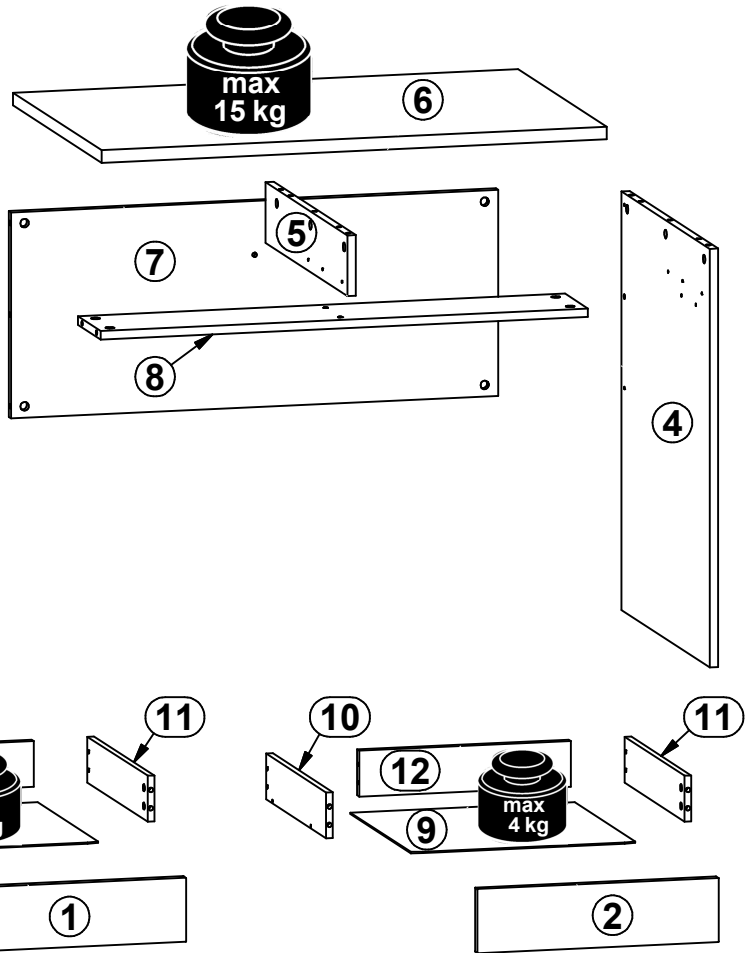
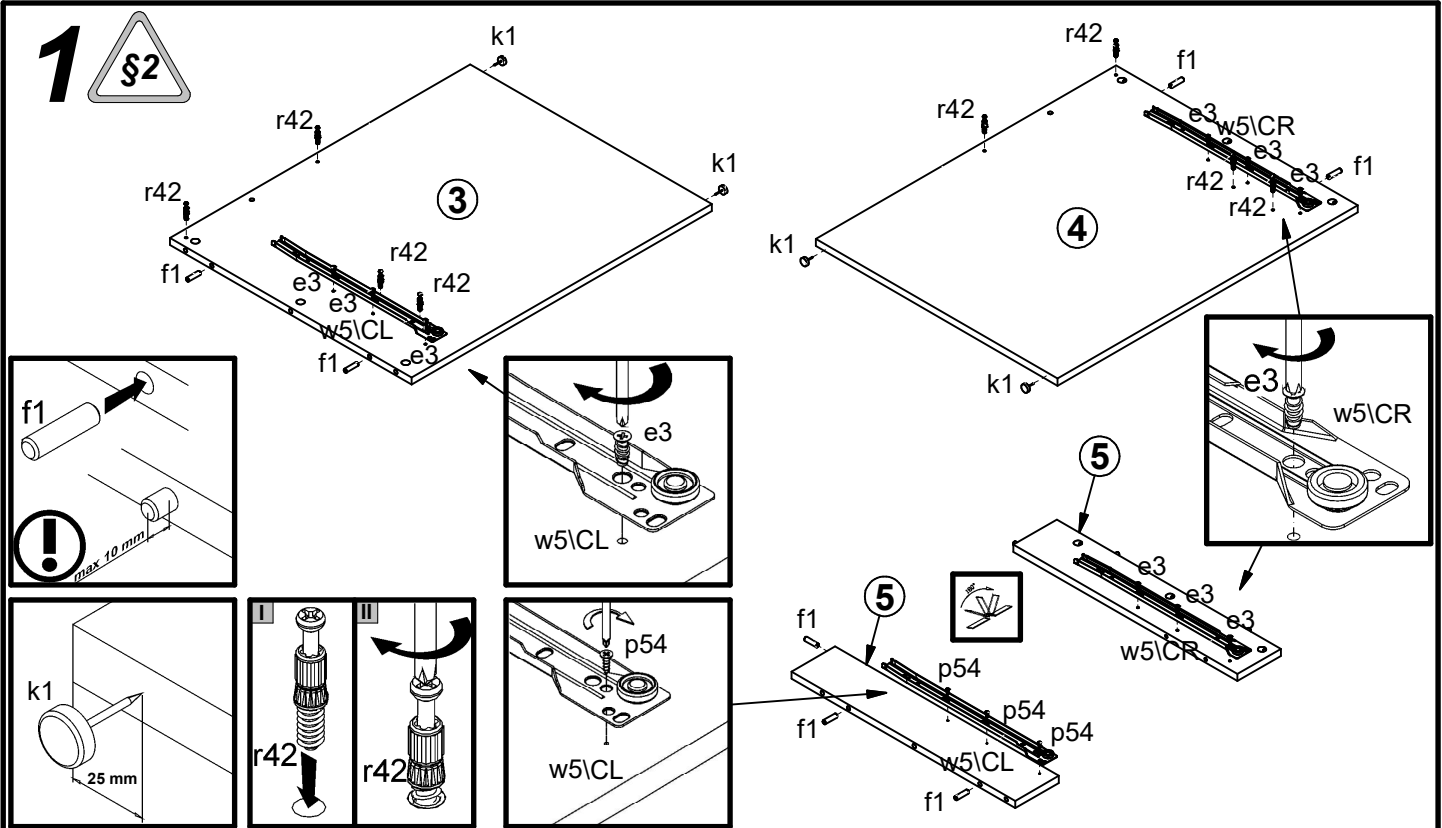


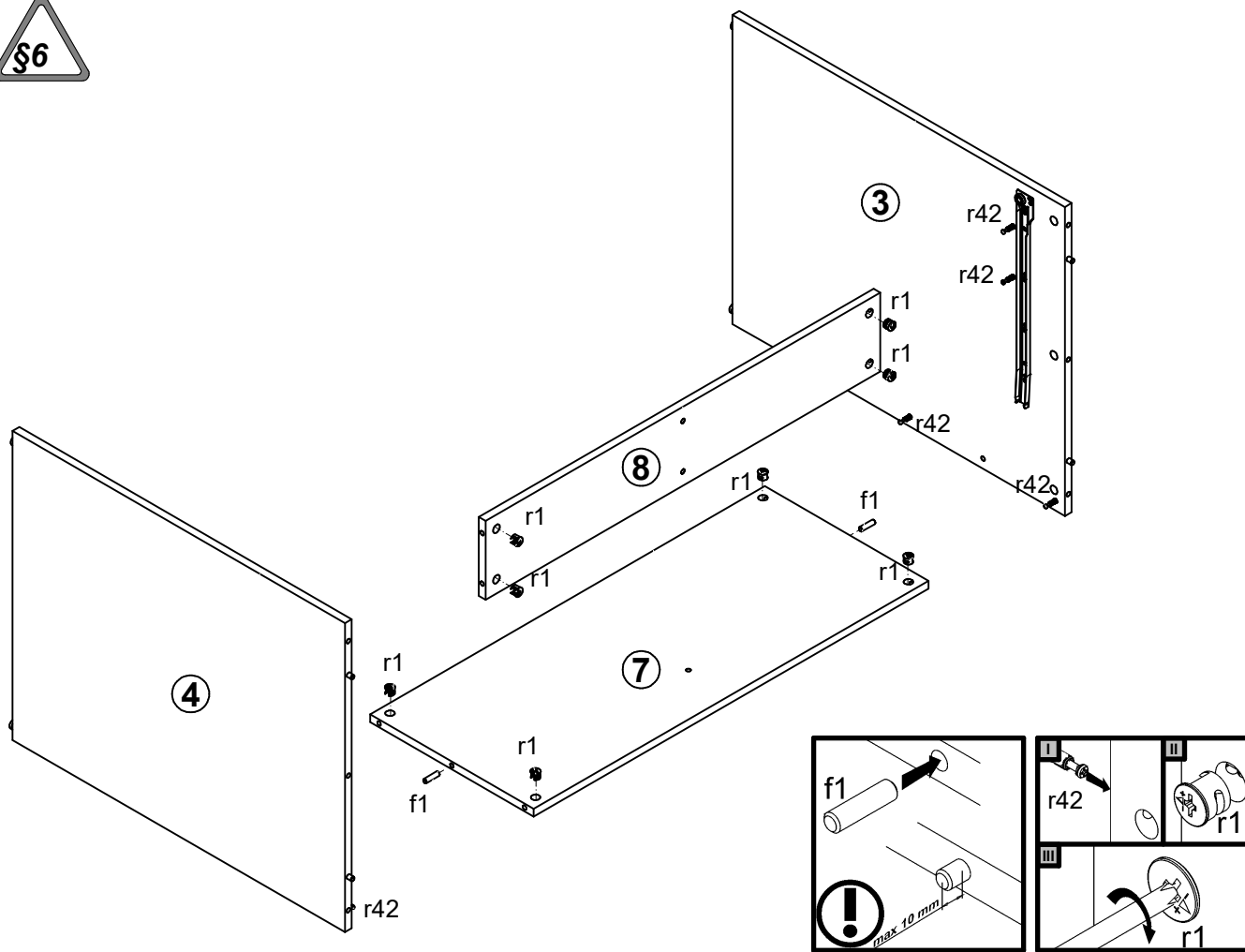
A	B	C	D	
1	S343-0063	430	112	2/2
2	S343-0064	430	112	2/2
3	S343-1081	731	588	1/2
4	S343-1082	731	588	1/2
5	S343-1083	106	545	1/2
6	S343-2055	900	590	1/2
7	S343-4045	868	360	1/2
8	S343-4046	868	150	1/2
9	S343-9017	400	407	1/2
10	ZS3-537	400	80	1/2
11	ZS3-538	400	80	1/2
12	ZS3-5562	377	80	1/2



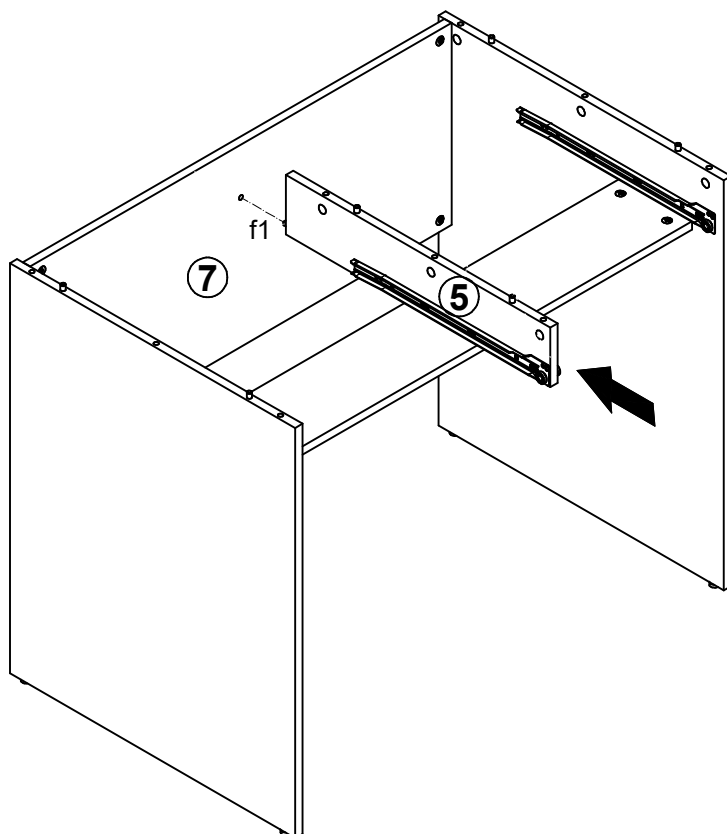
2x φ7x50 mm <b>e1</b>	9x φ6x13 mm <b>e3</b>	8x Ø5x9 mm <b>e19</b>	9x φ8x30 mm <b>f1</b>	8x Ø6,5x40 mm <b>f25</b>	4x <b>k1</b>	6x Ø3,5x16 mm <b>p38</b>	3x Ø3x12 mm <b>p54</b>	17x φ1,5x12 mm #16 <b>r1</b>
8x Ø12x10,5 mm #12 <b>r15</b>	25x 20/11 <b>r42</b>	2x 400 mm <b>w5\CL</b>	2x 400 mm <b>w5\CR</b>	2x 400 mm <b>w5\DL</b>	2x 400 mm <b>w5\DR</b>	5x ø16 <b>s2</b>	1x <b>z1</b>	2x silikon <b>o21</b>



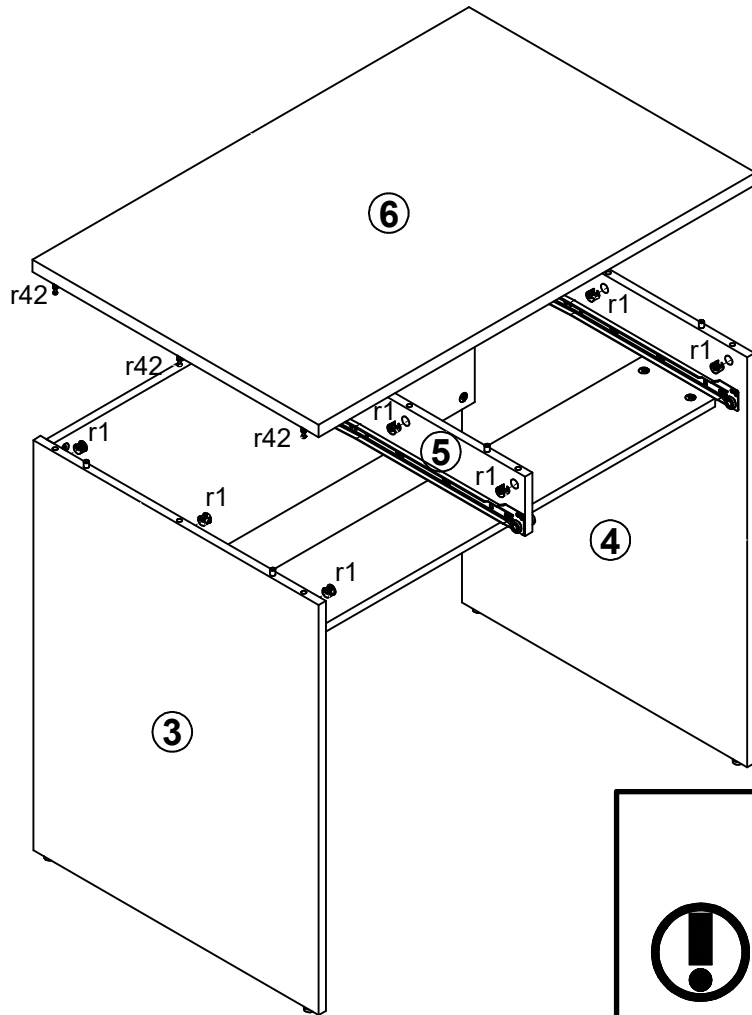
2 



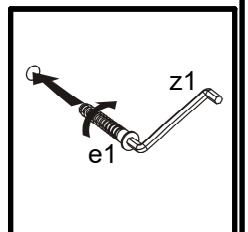
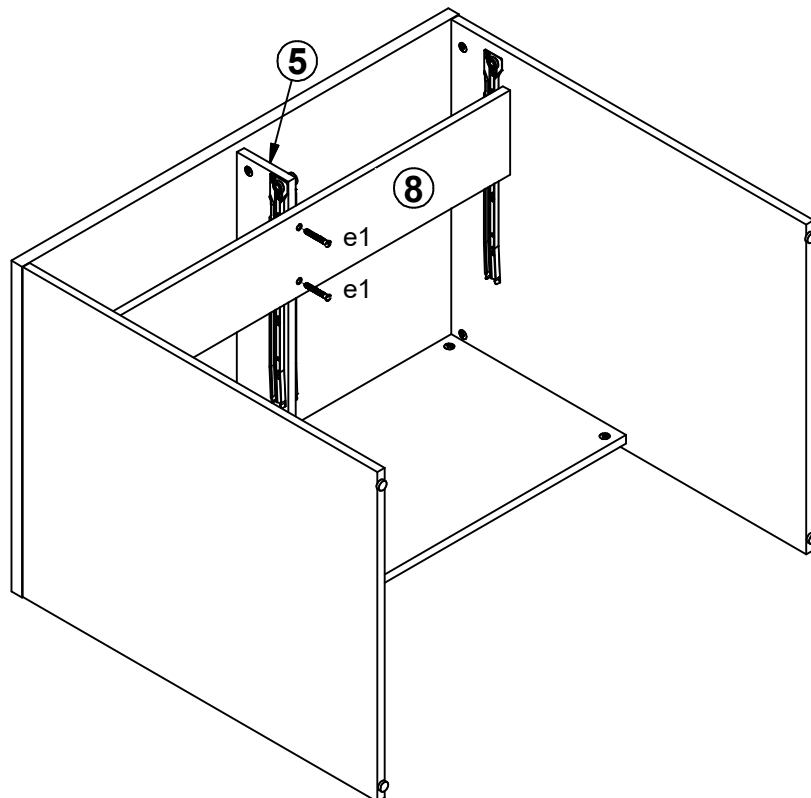
3



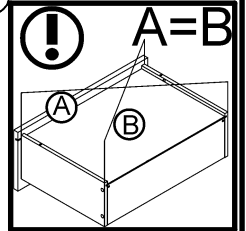
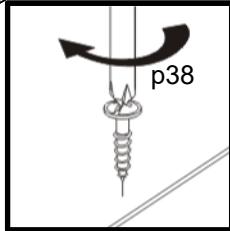
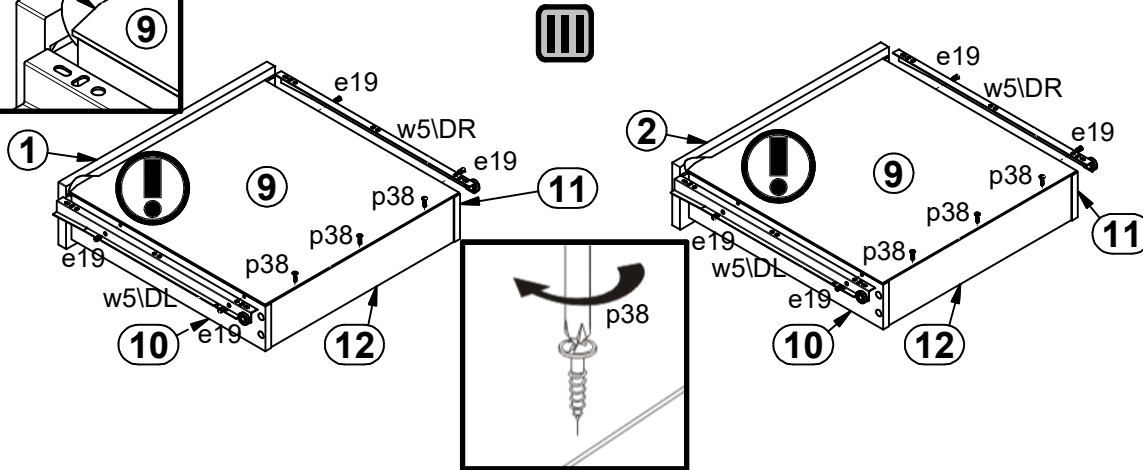
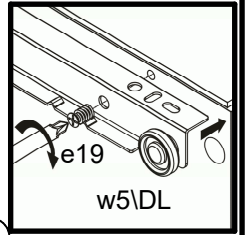
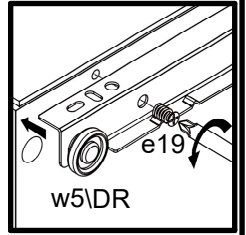
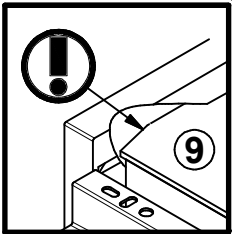
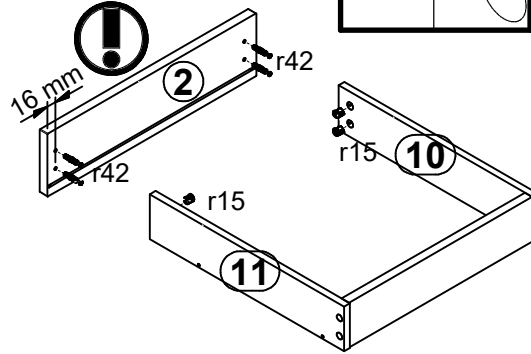
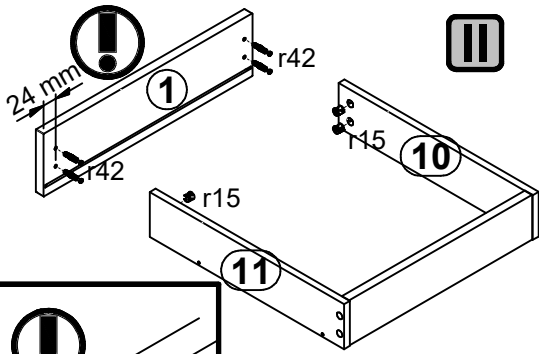
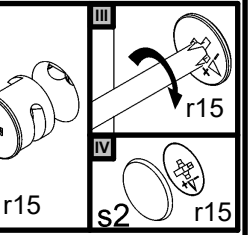
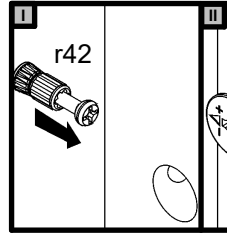
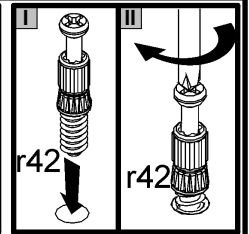
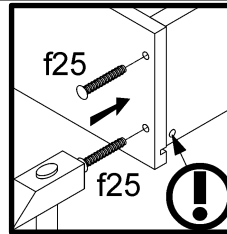
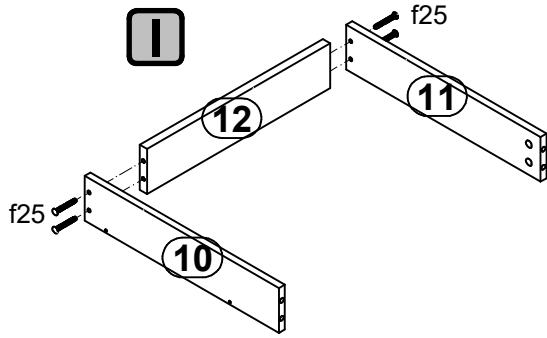
# 4



# 5



# 6



# 7

