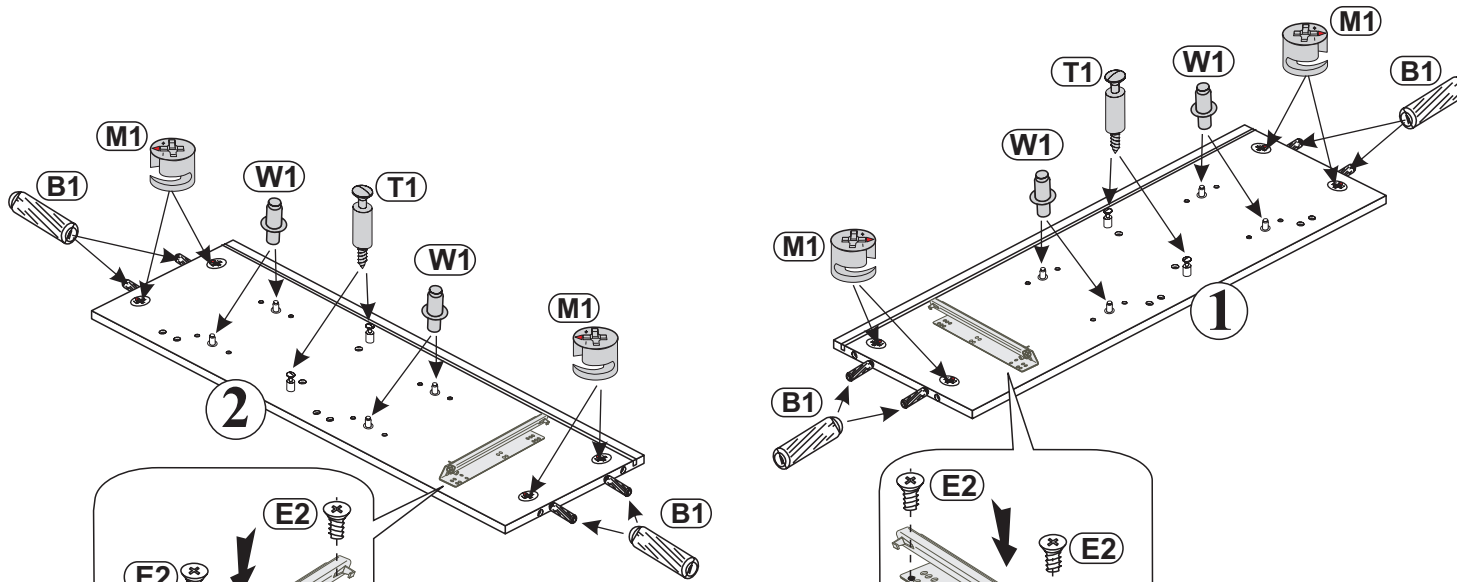
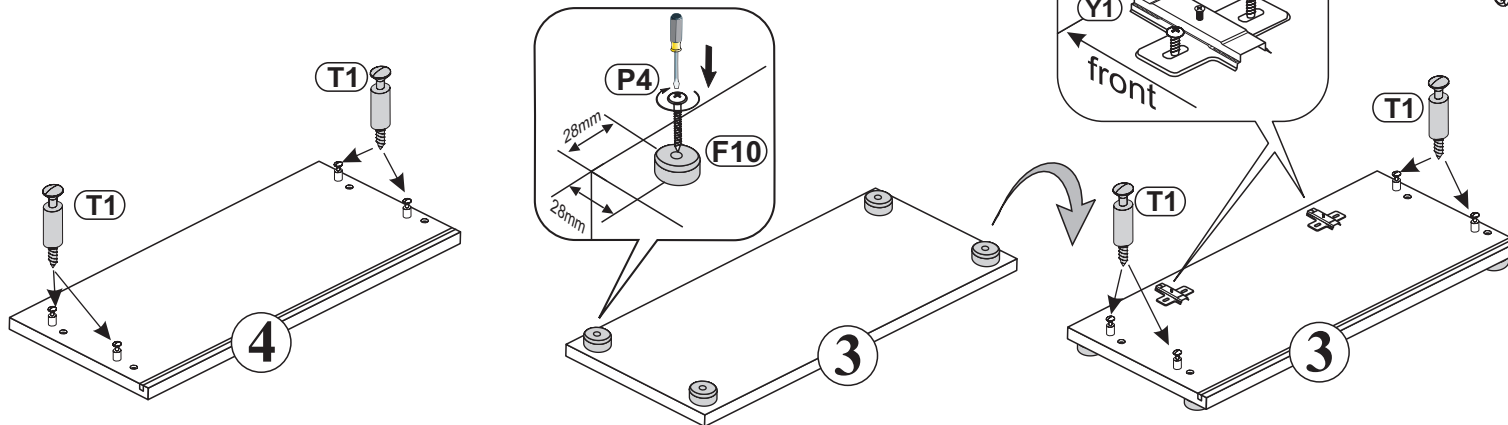


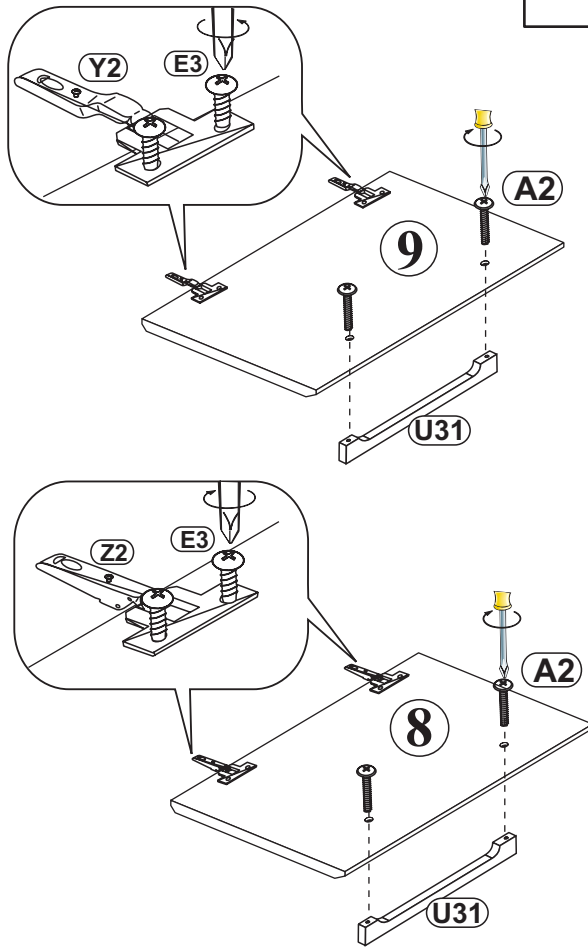
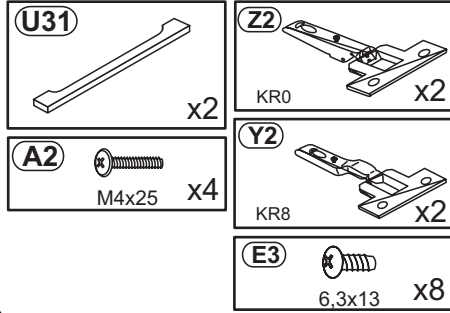
1



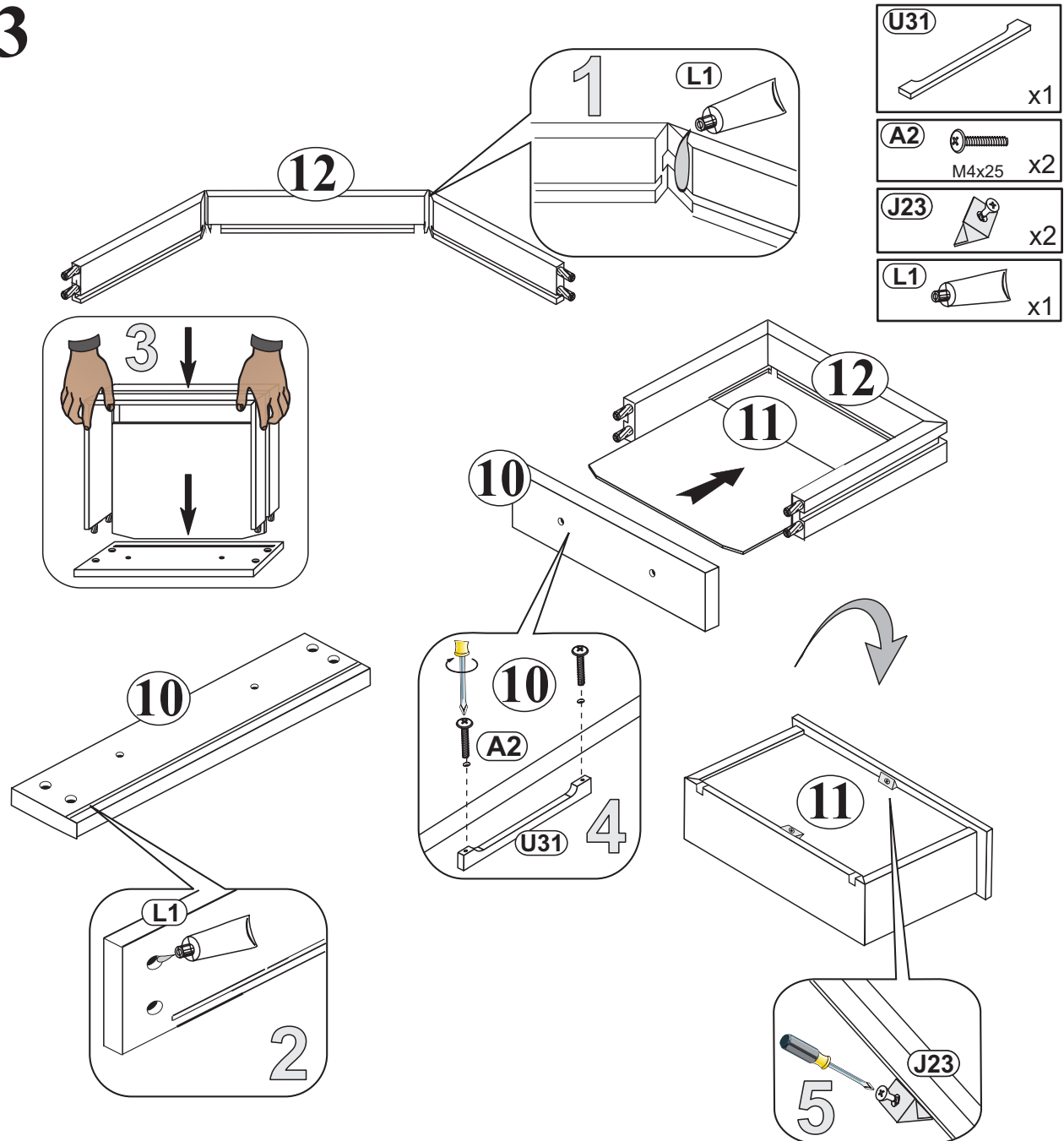
R33 L-300 x1L/1R	B1 φ 8x28 x12
E2 6x11 x4	M1 x12
F10 x4	T1 x12
P4 4x25 x4	W1 x8
	Y1 x4
	E3 6.3x13 x8



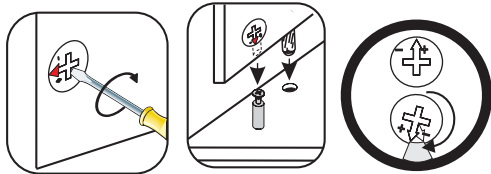
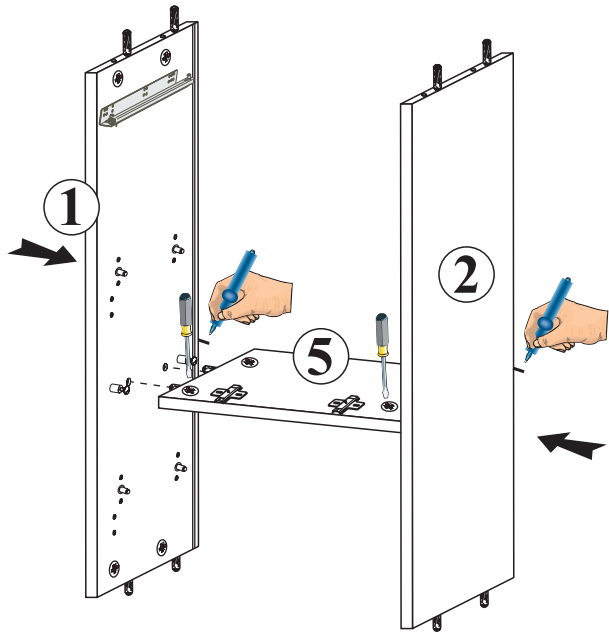
2



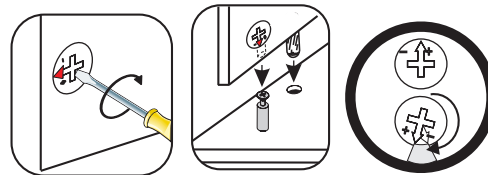
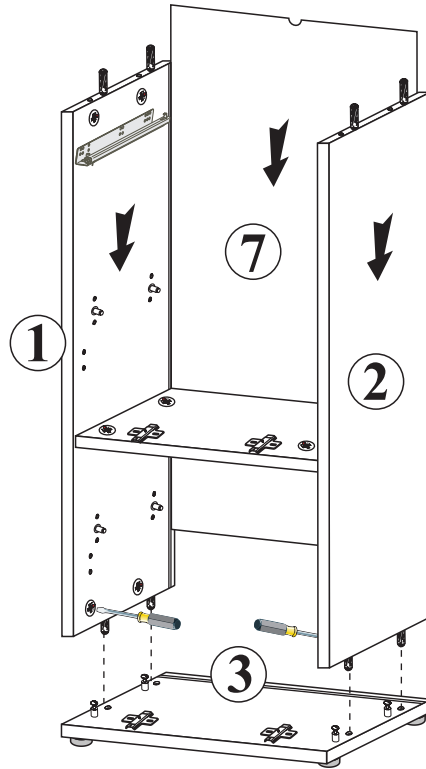
3



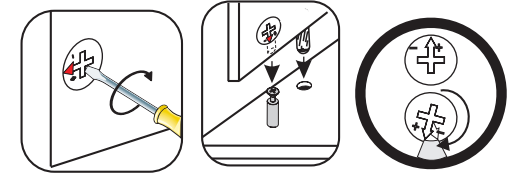
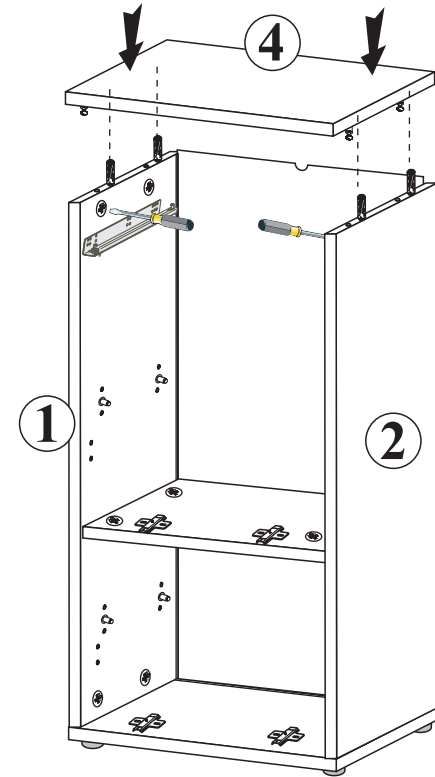
4





5

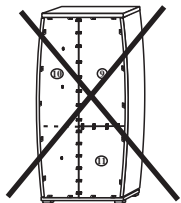
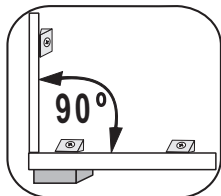
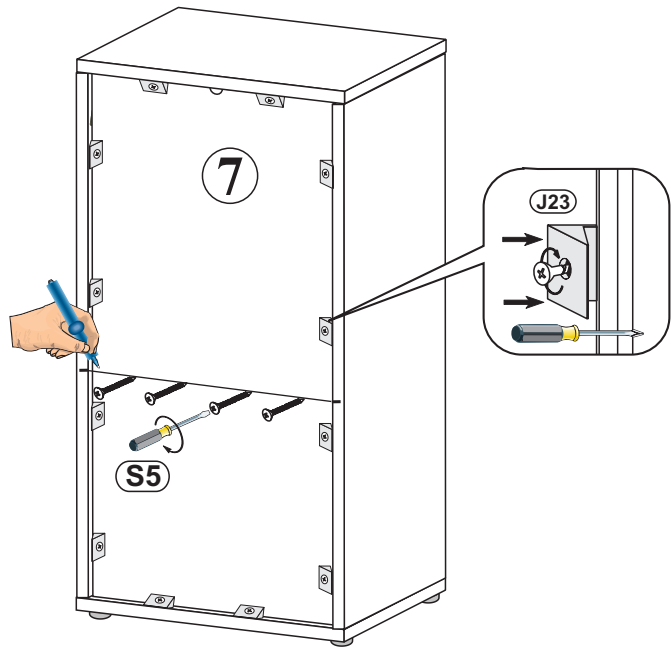


6

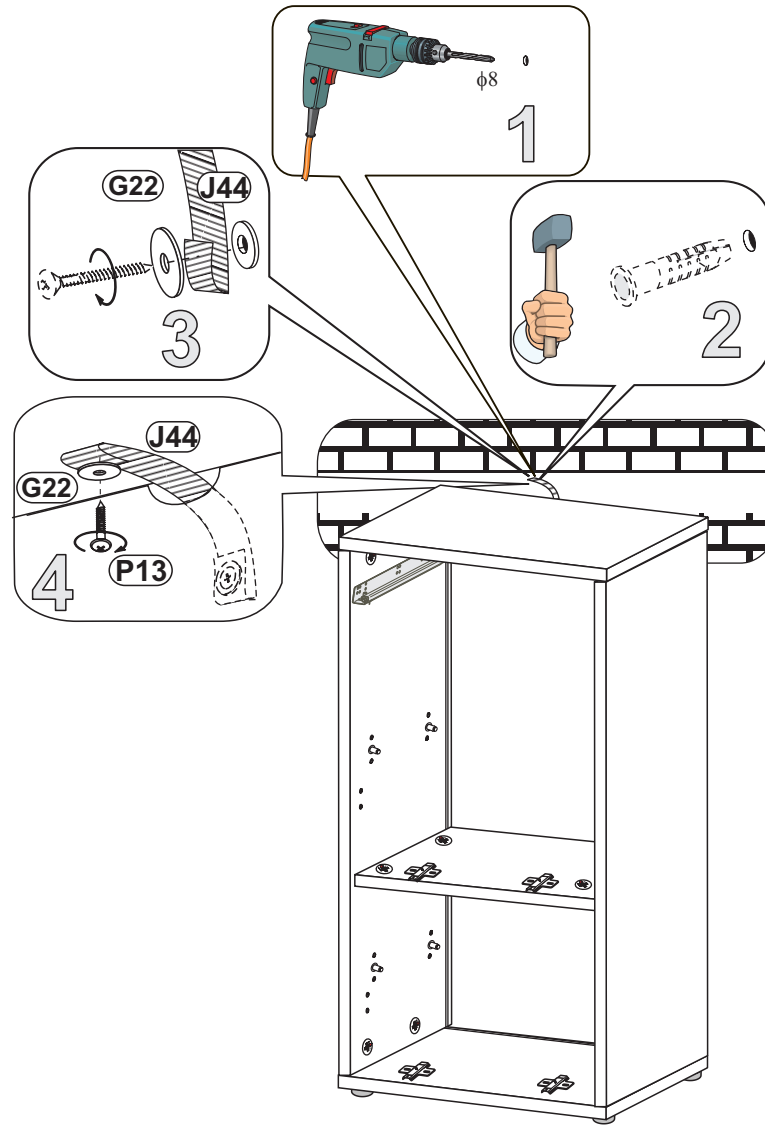





7

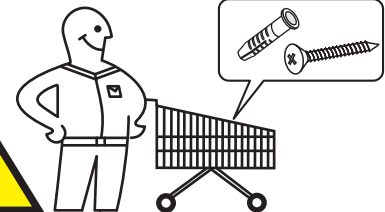
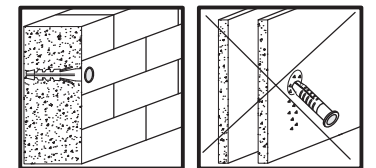
- J23**  x12
- S5**  3,0x20 x4



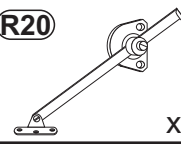
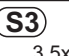

8

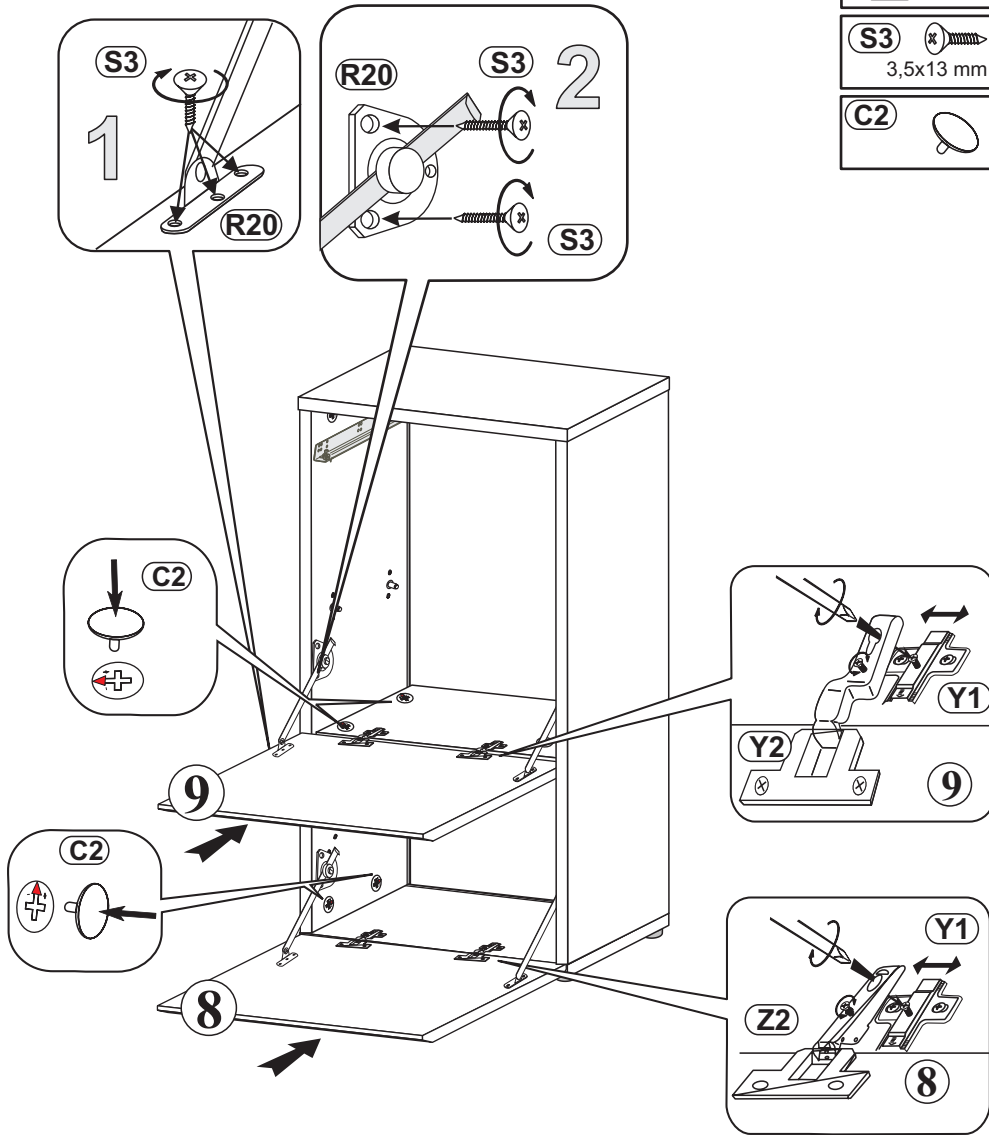


- J44**  x1
- P13**  3,5x13 x1
- G22**  phi 18 x2



9

- R20**  x4
- S3**  3,5x13 mm x20
- C2**  x8



10

