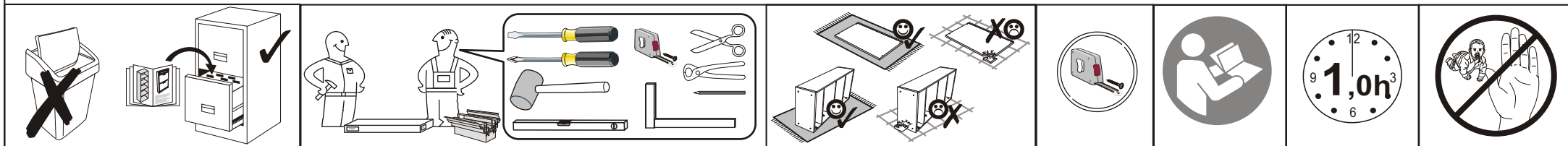


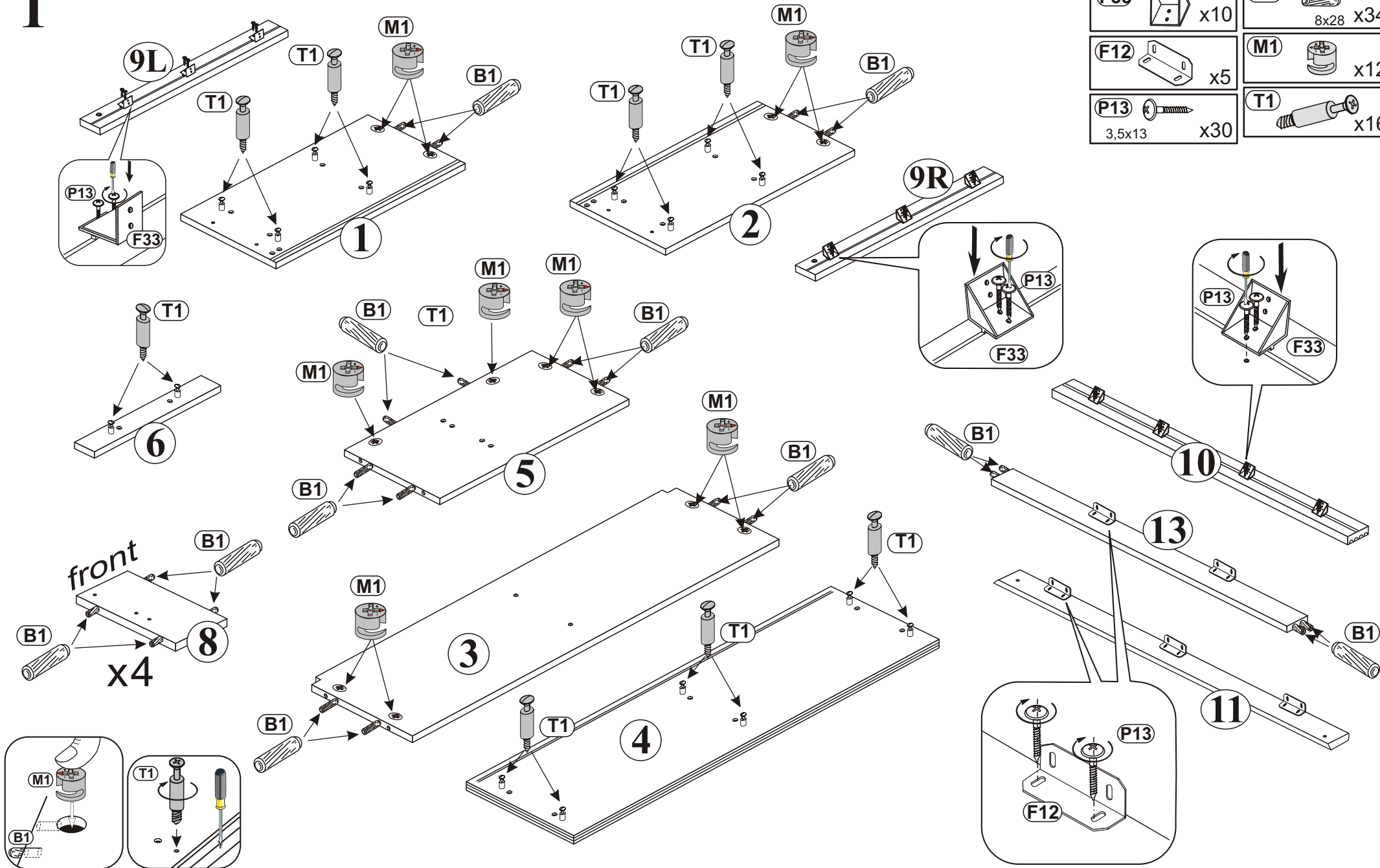
| NR 1 | |
|--------------|-----------|
| (B1) | 8x28 x38 |
| (B2) | 8x50 x2 |
| (M1) | x20 |
| (T1) | x16 |
| (T12) | x2 |
| (C2) | x15 |
| (J23) | x20 |
| (S4) | 3,0x20 x6 |
| (K1) | 7x50 x2 |
| (L1) | x1 |
| NR 4 | |
| (U22) | x2 |
| (A18) | 4,0x25 x2 |

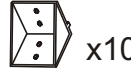
| NR 2 | |
|--------------|------------|
| (F33) | x10 |
| (P13) | 3,5x13 x60 |
| (F12) | x5 |
| (S6) | 4,0x30 x2 |
| (S5) | 4,0x25 x4 |
| (C15) | 60x3 x2 |

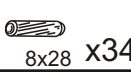
| NR 3 | |
|--------------|------------|
| (R33) | x2L/2R |
| (E24) | 6,0x11 x8 |
| (P7) | 4x30 x8 |
| (T2) | 5x35mm x4 |
| (M2) | 12x10mm x4 |





1

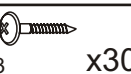


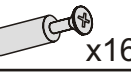
F33  x10

B1  8x28 x34




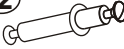
F12  x5

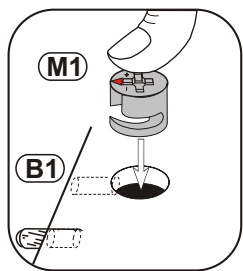
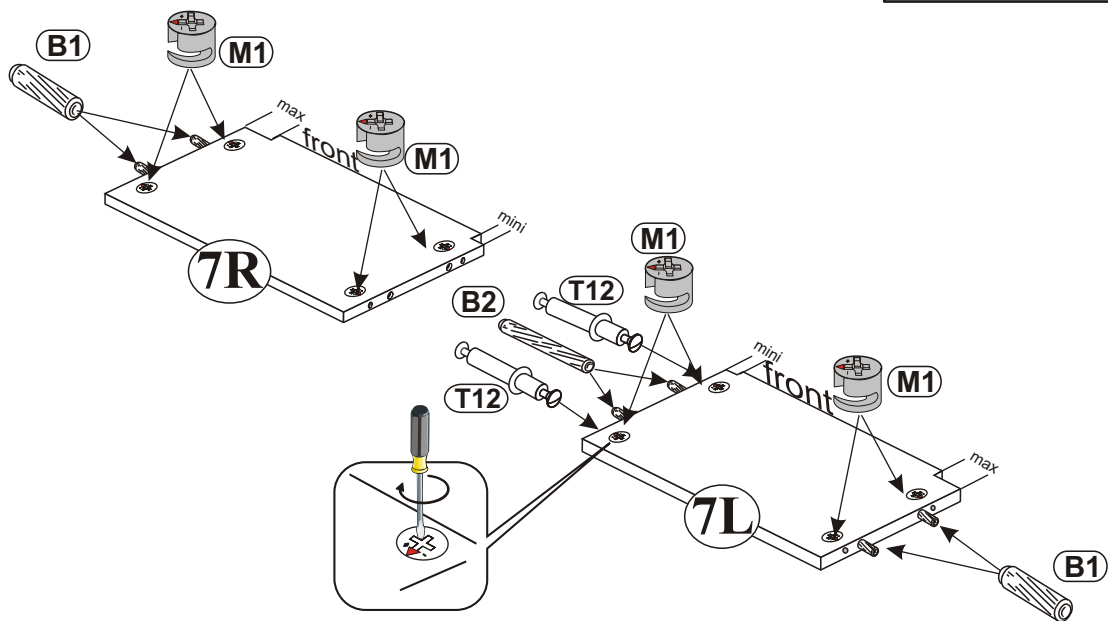
M1  x12

P13  3,5x13 x30


T1  x16

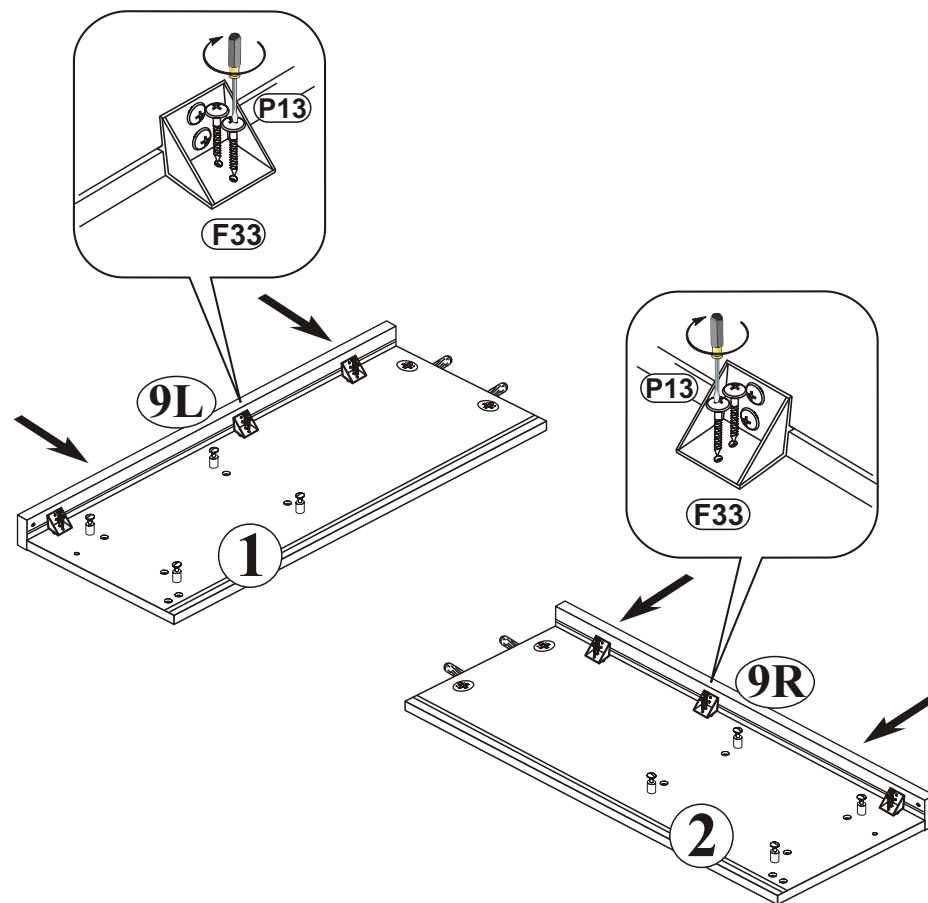
2

- (B1)**  8x28 x4
- (B2)**  8x50 x2
- (M1)**  x8
- (T12)**  x2

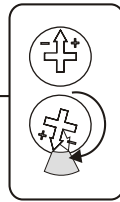
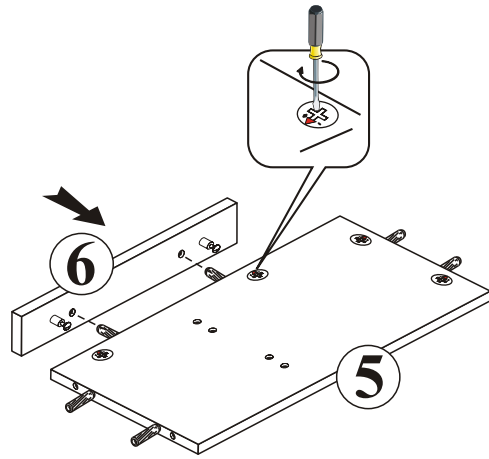


3

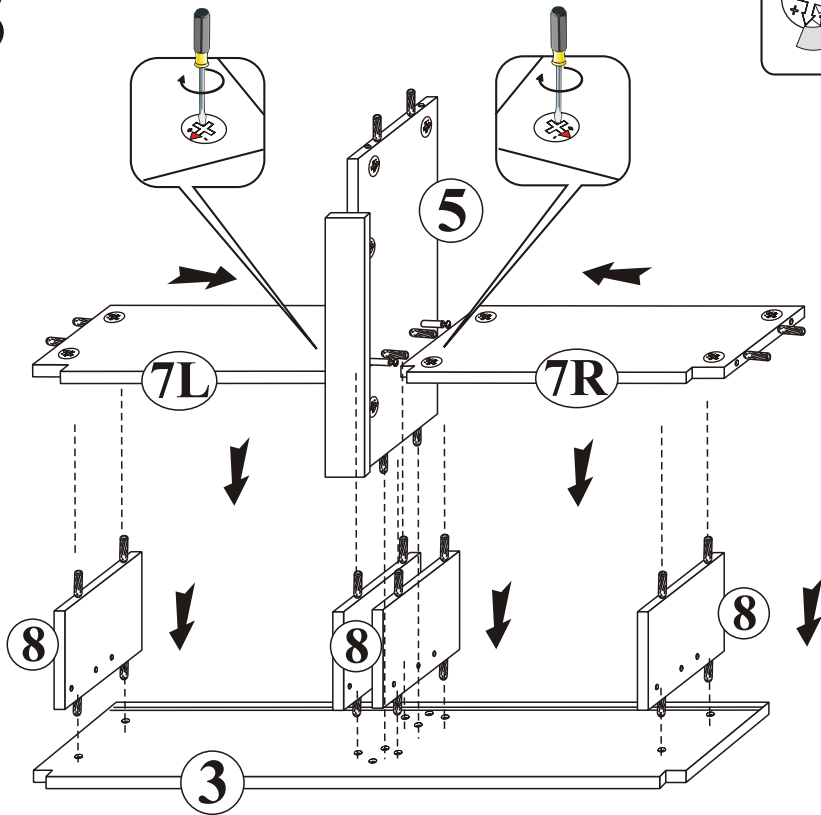
- (P13)**  3,5x13 x12




4

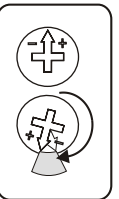
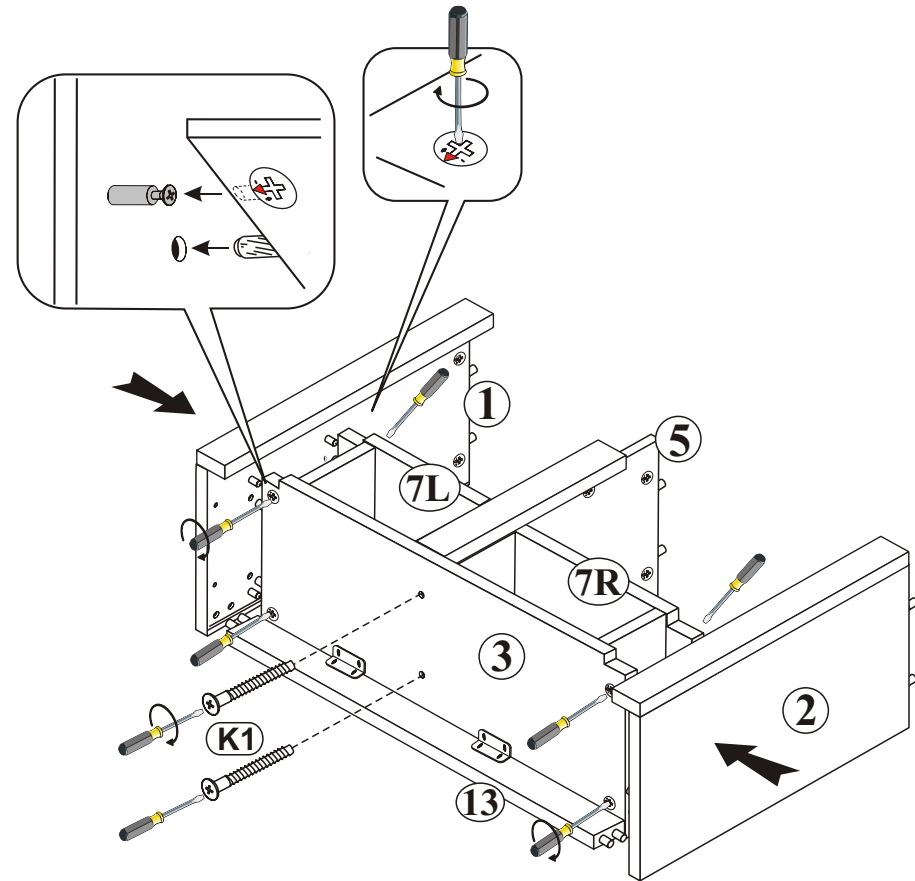


5



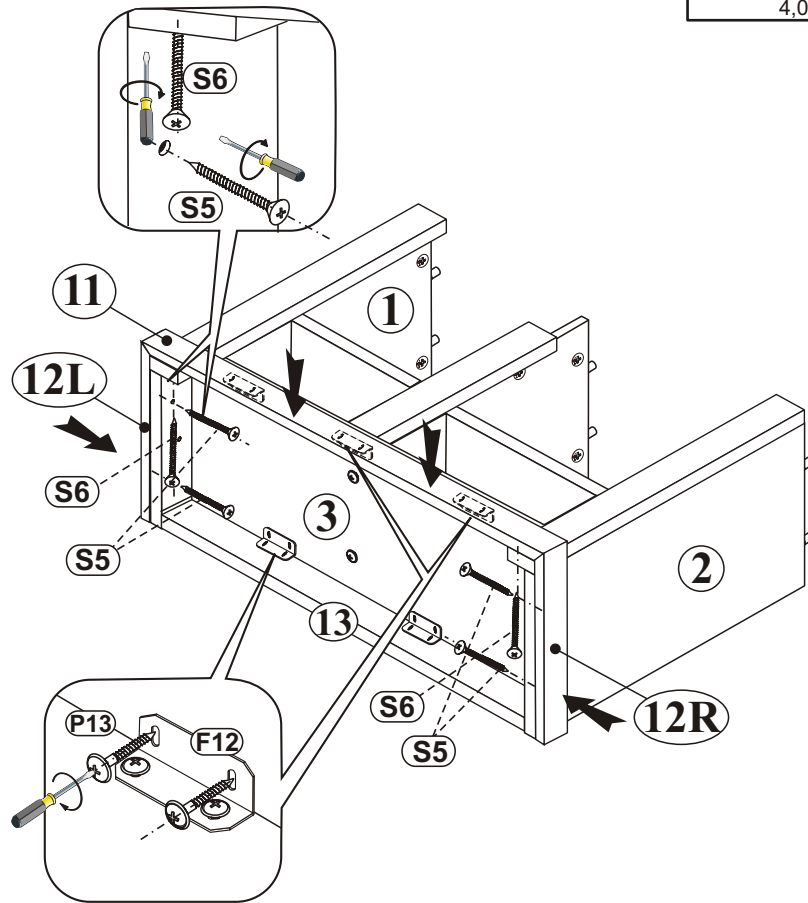
6

K1  7x50 x2



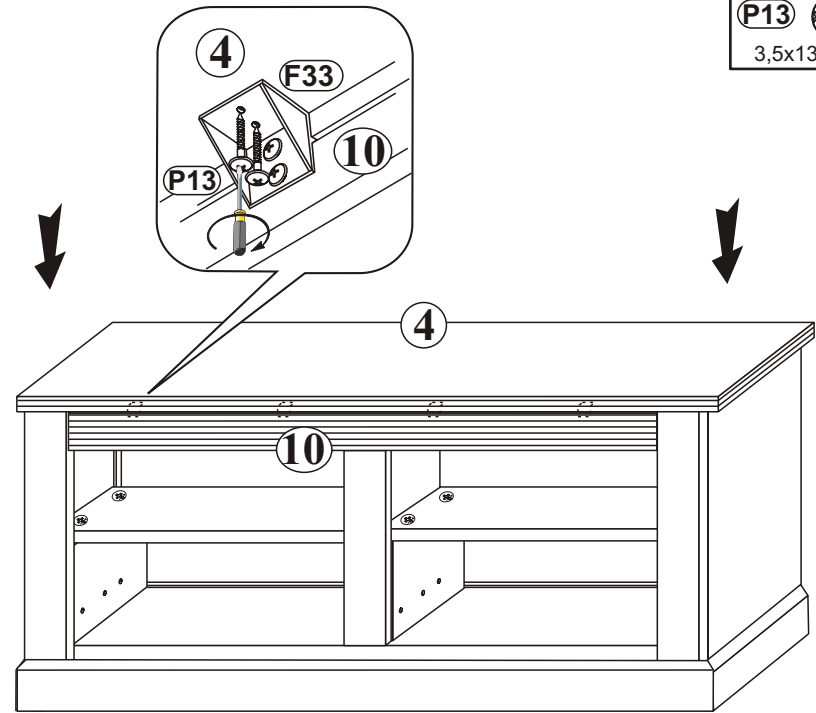
7

- P13** 3,5x13 x10
- S6** 4,0x30 x2
- S5** 4,0x25 x4

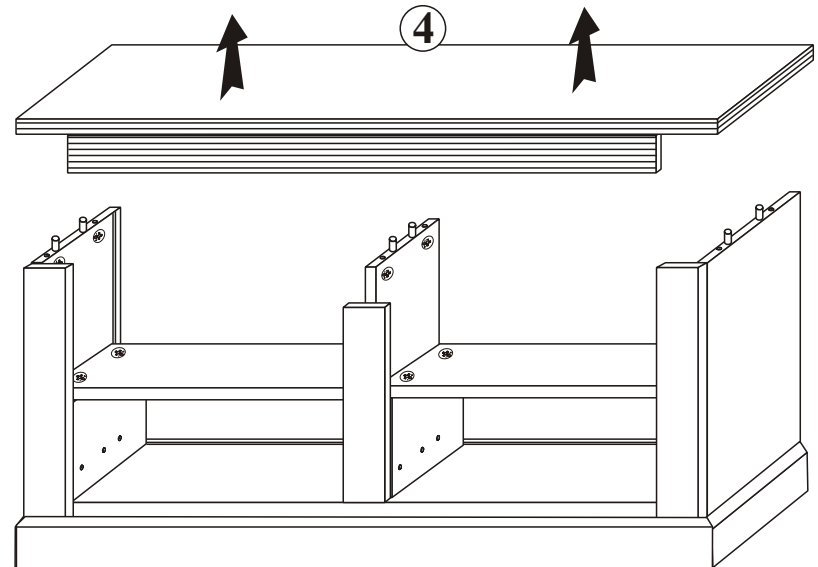


8

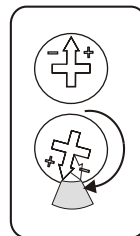
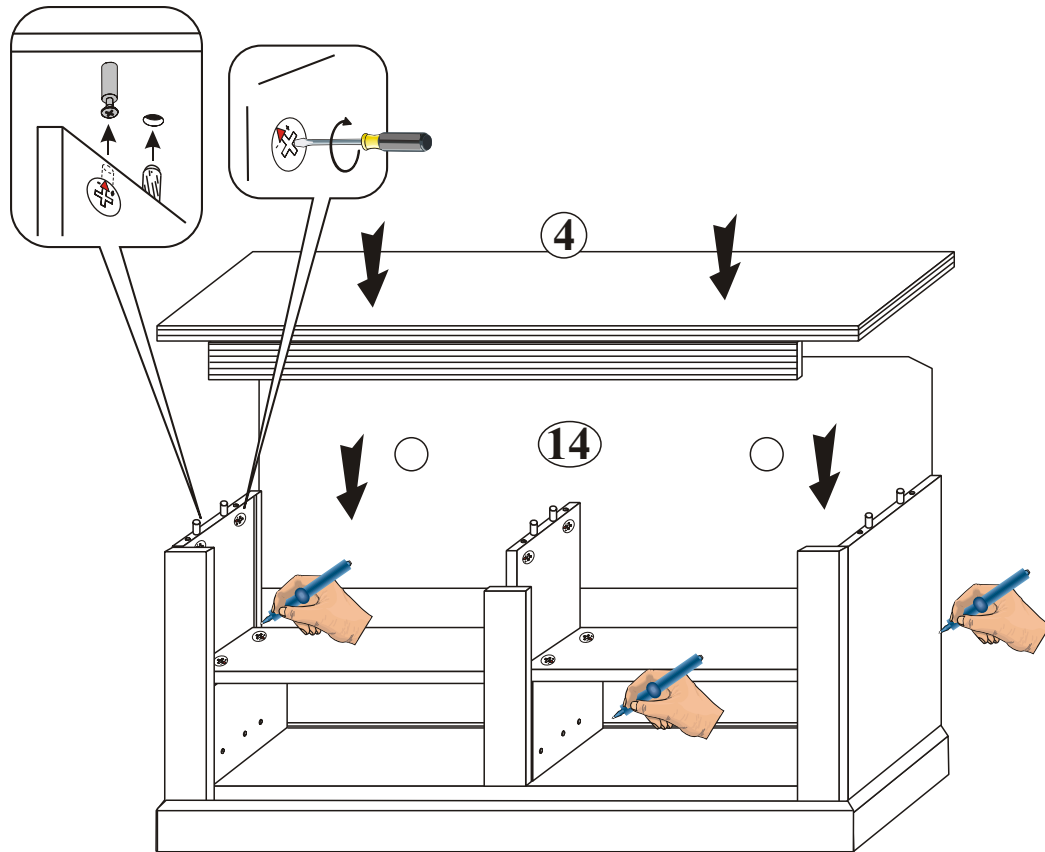
- P13** 3,5x13 x8





9

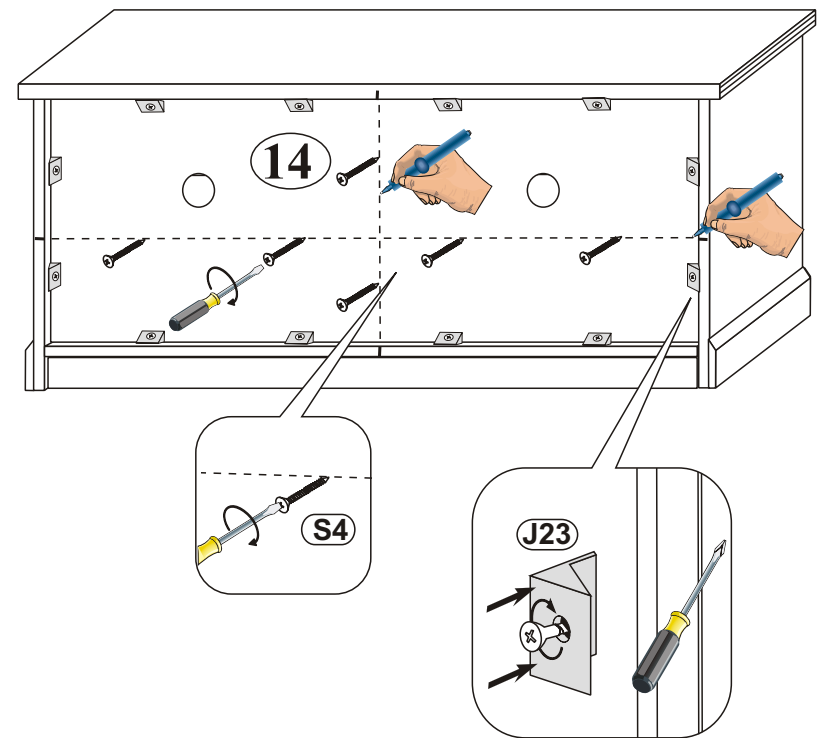


10

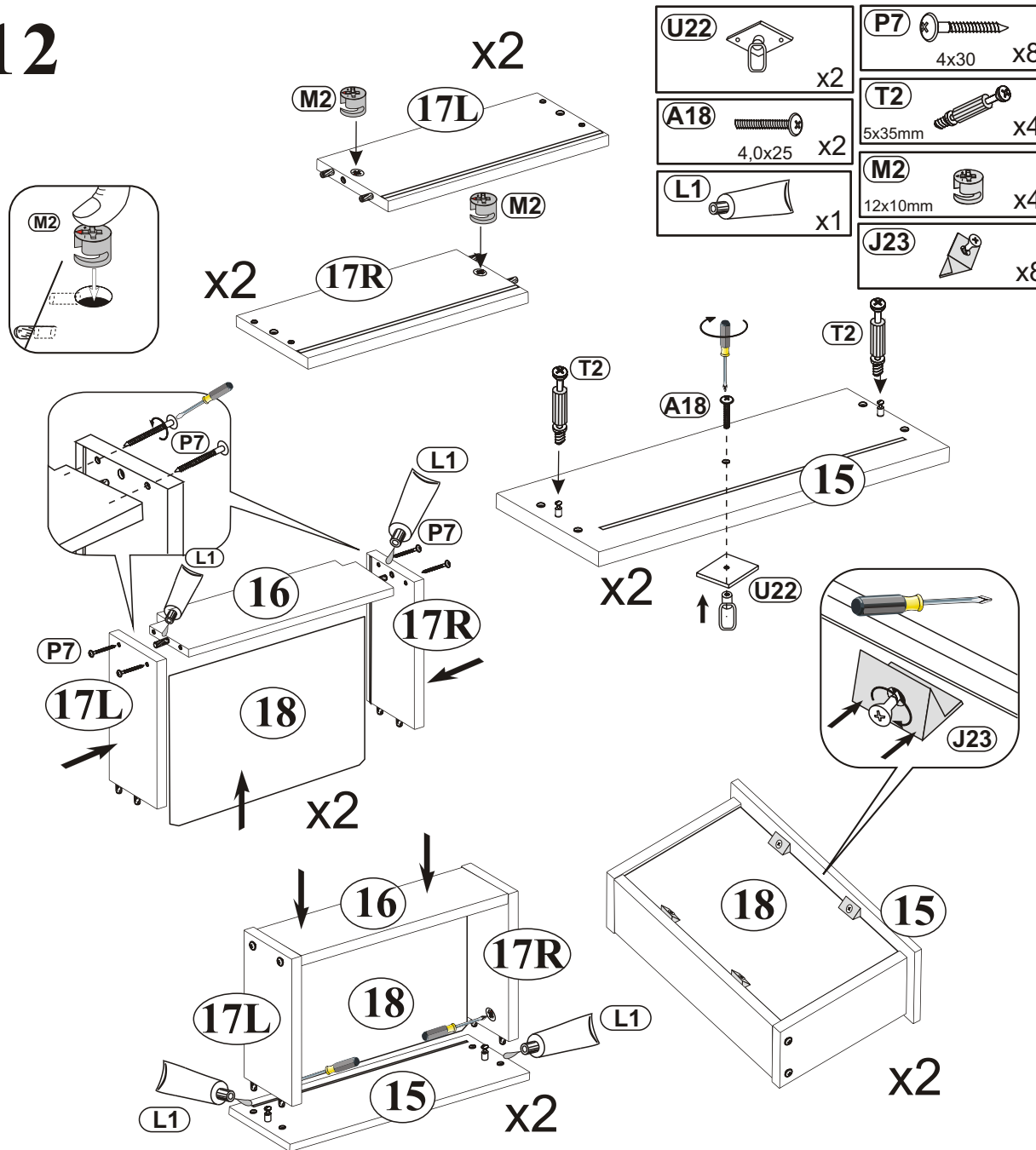


11

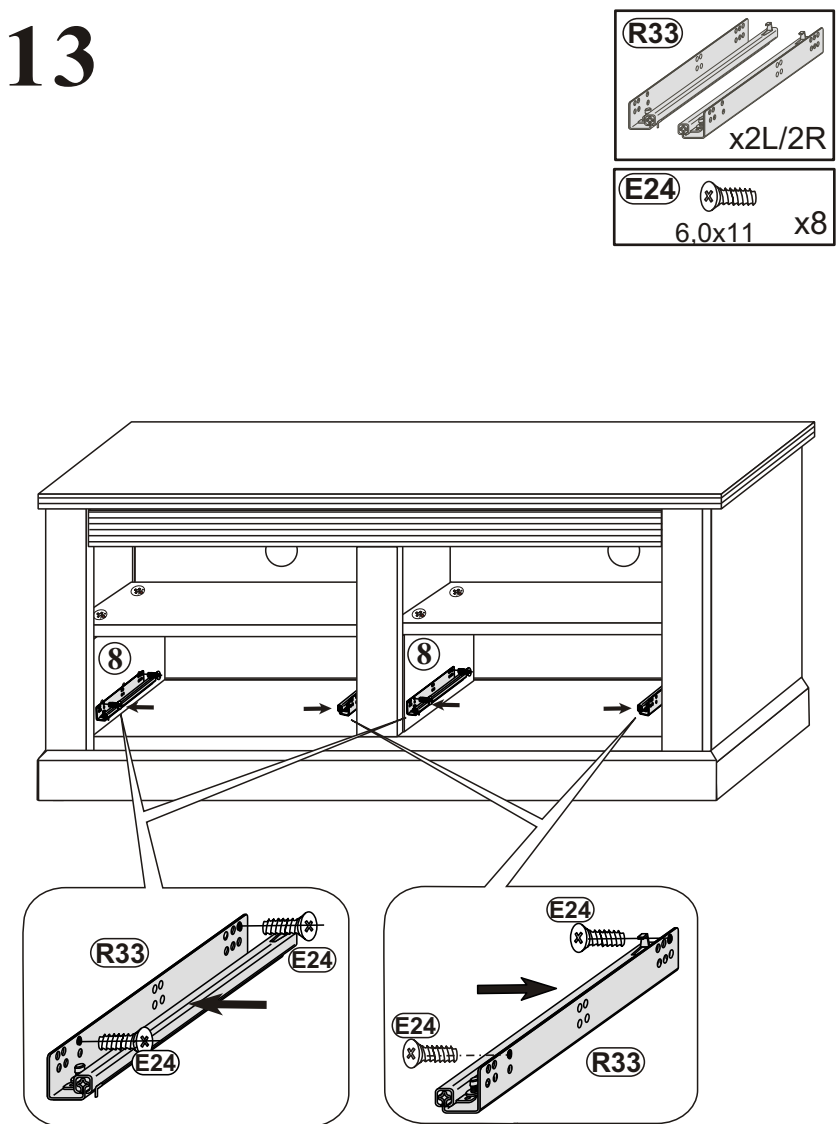
- J23  x12
- S4  3,0x20 x6





12



13



14

- C15**  60x3 x2
- C2**  x15

