

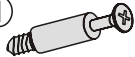



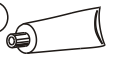
NR 1


(B1)  8x28 x8


(M1)  x8

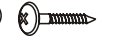
(T1)  x8


(J23)  x6


(L1)  x1


(P4)  3,0x20 x6

(F33)  x2

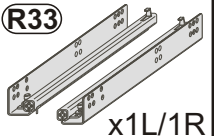
(P13)  3,5x13 x8


(P5)  4,0x25 x4

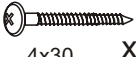
(P7)  4x30 x2


(C2)  x4


NR 2

(R33)  x1L/1R

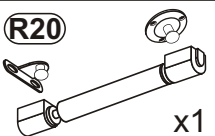
(E24)  6,0x11 x4


(P7)  4x30 x2

(T2)  5x35mm x2


(M2)  12x10mm x2


NR 3

(R20)  x1


(S3)  3,5x13 x5


NR 4


(U22)  x2

(A18)  4,0x25 x2

NR 5

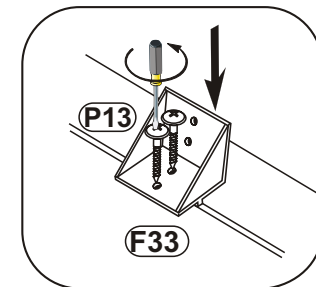
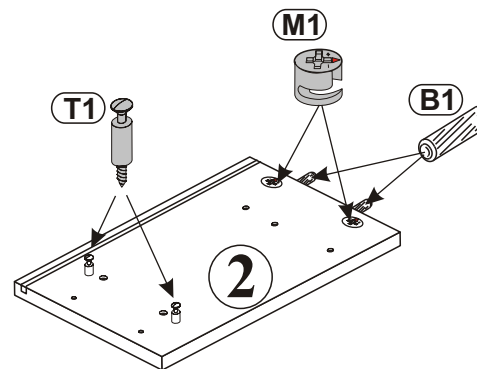
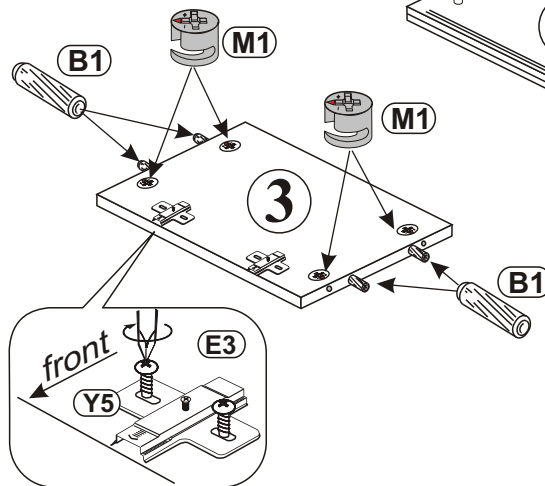
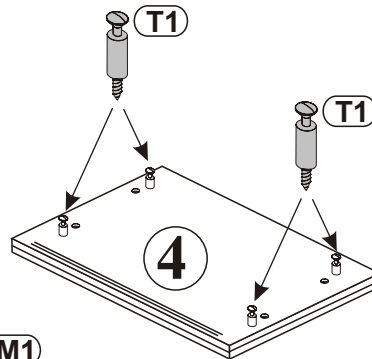
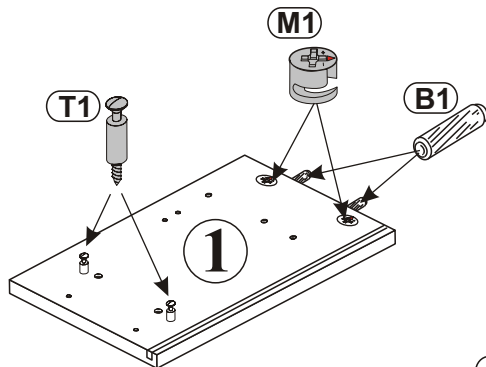
(Y2)  Kr8 x2

(Y5)  H2 x2

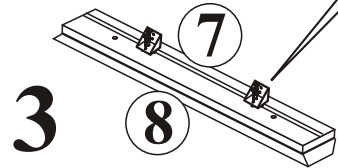
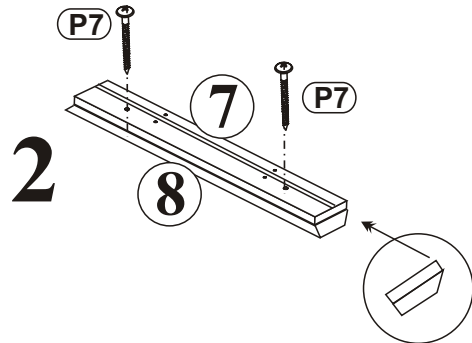
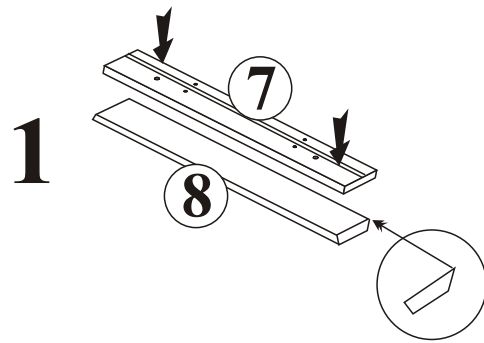
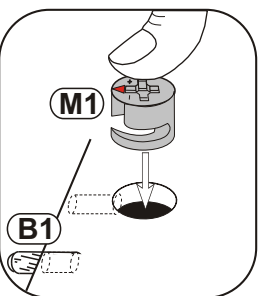
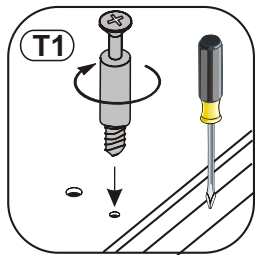
(E3)  6,3x13 x8



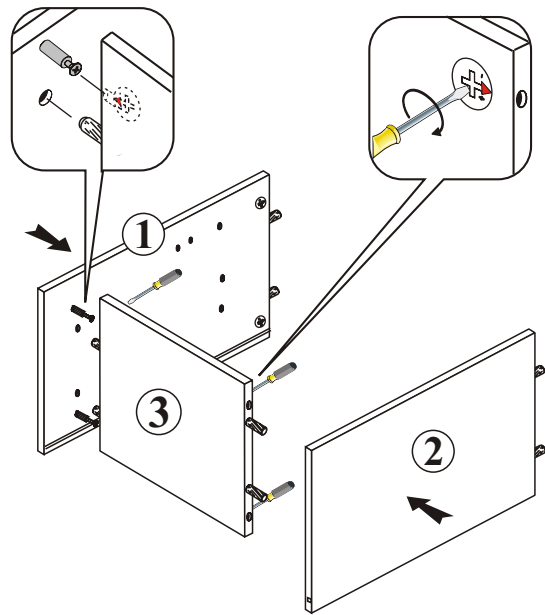
1



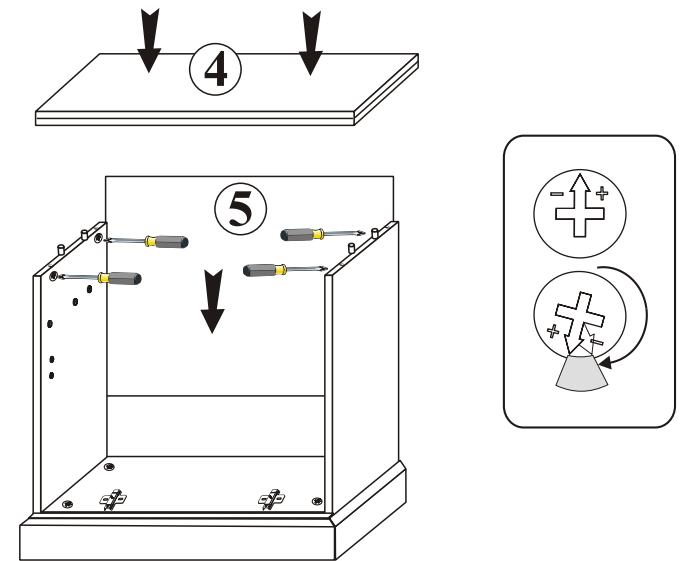
Y5 H2		x2
E3		6,3x13 x4
B1		8x28 x8
M1		x8
T1		x8
P7		4x30 x2
P13		3,5x13 x4
F33		x2



2

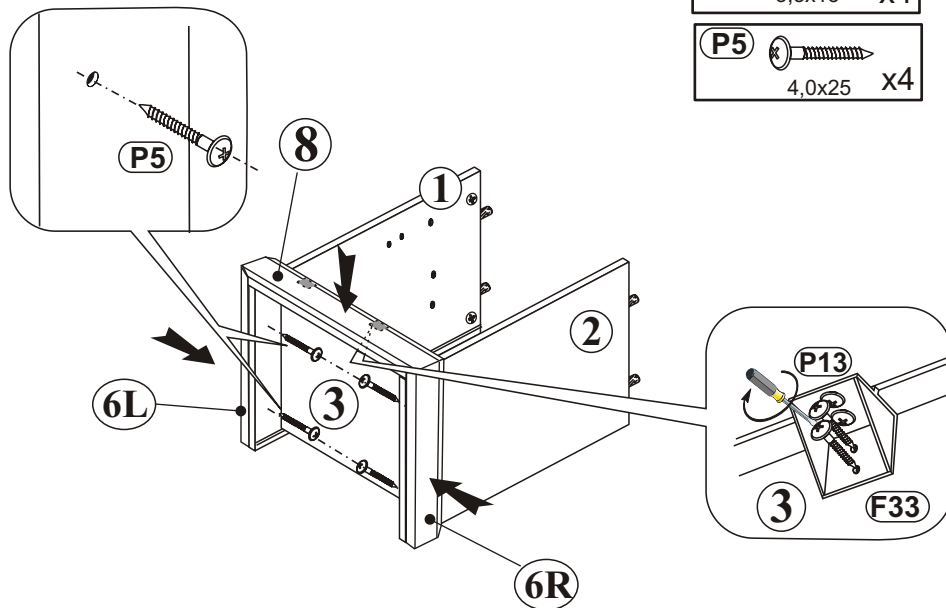


4



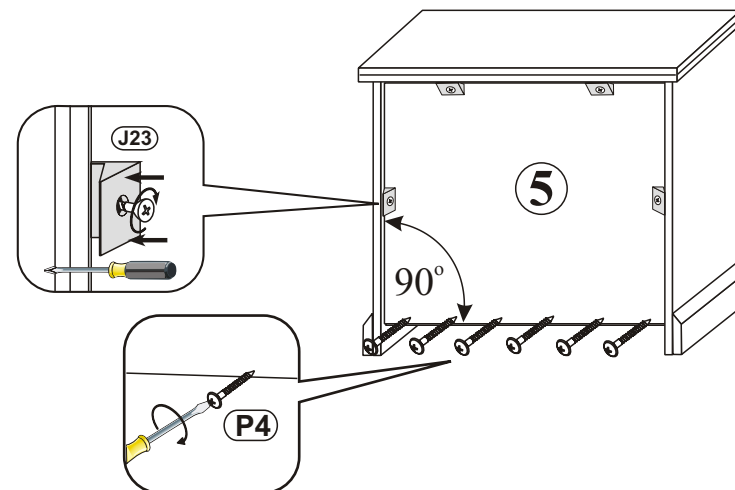
3

- P13** 3,5x13 x4
- P5** 4,0x25 x4

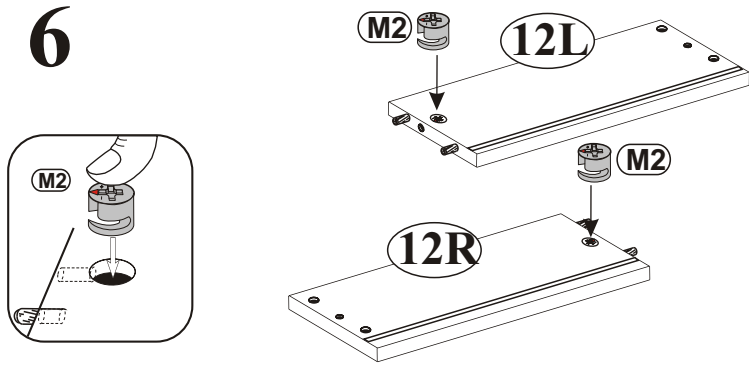







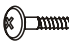

5

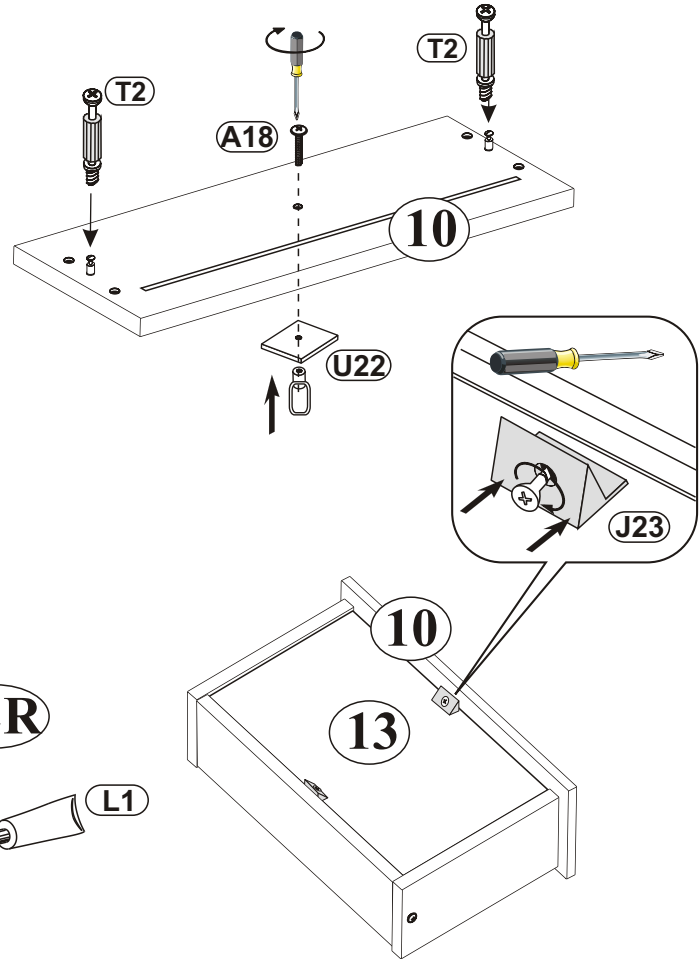
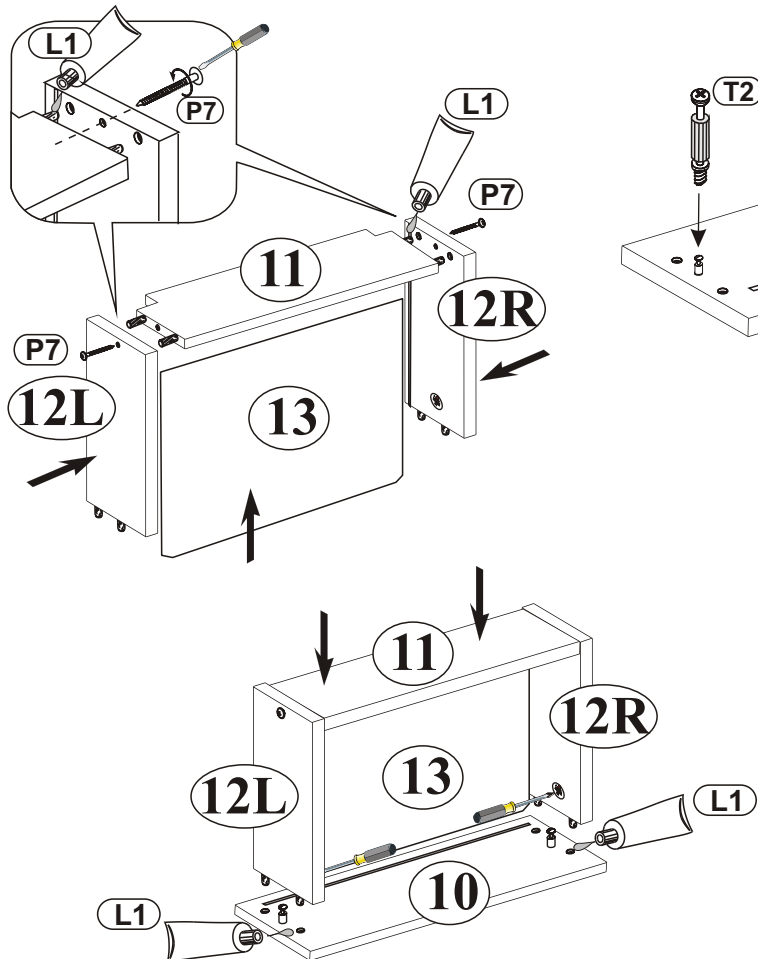
- J23** x4
- P4** 3,0x20 x6







6

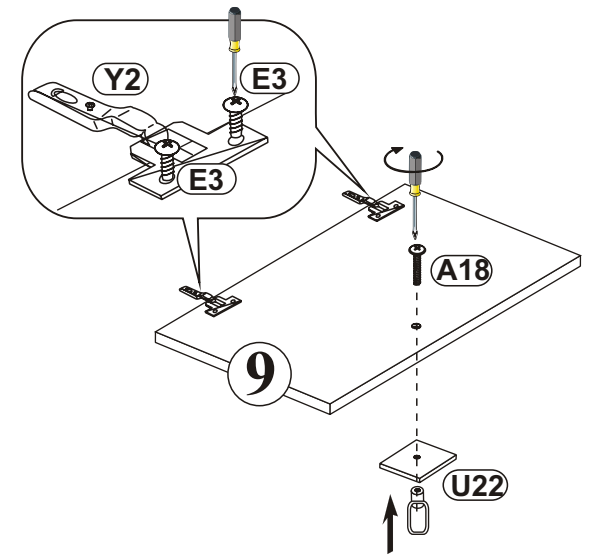


- U22  x1
- A18  4,0x25 x1
- J23  x2
- T2  x2
- M2  x2
- P7  4x30 x2
- L1  x1

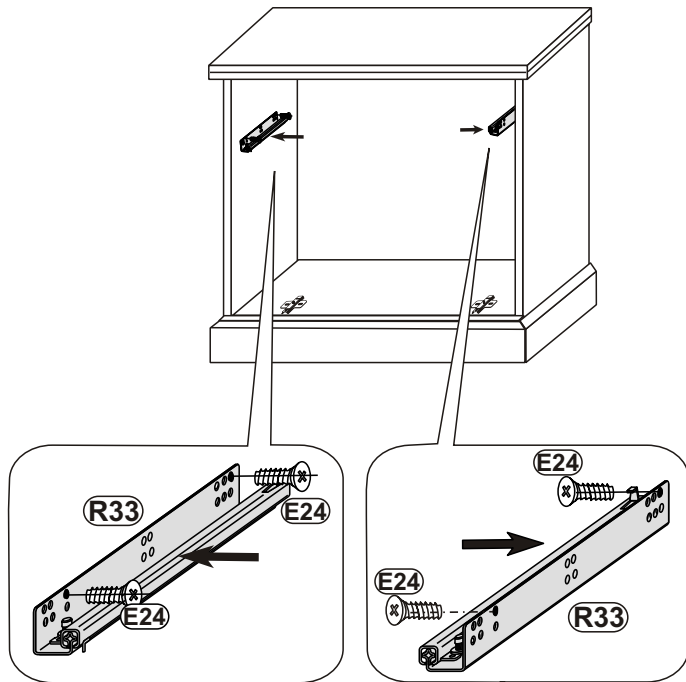
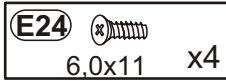
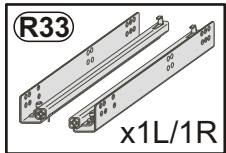


7

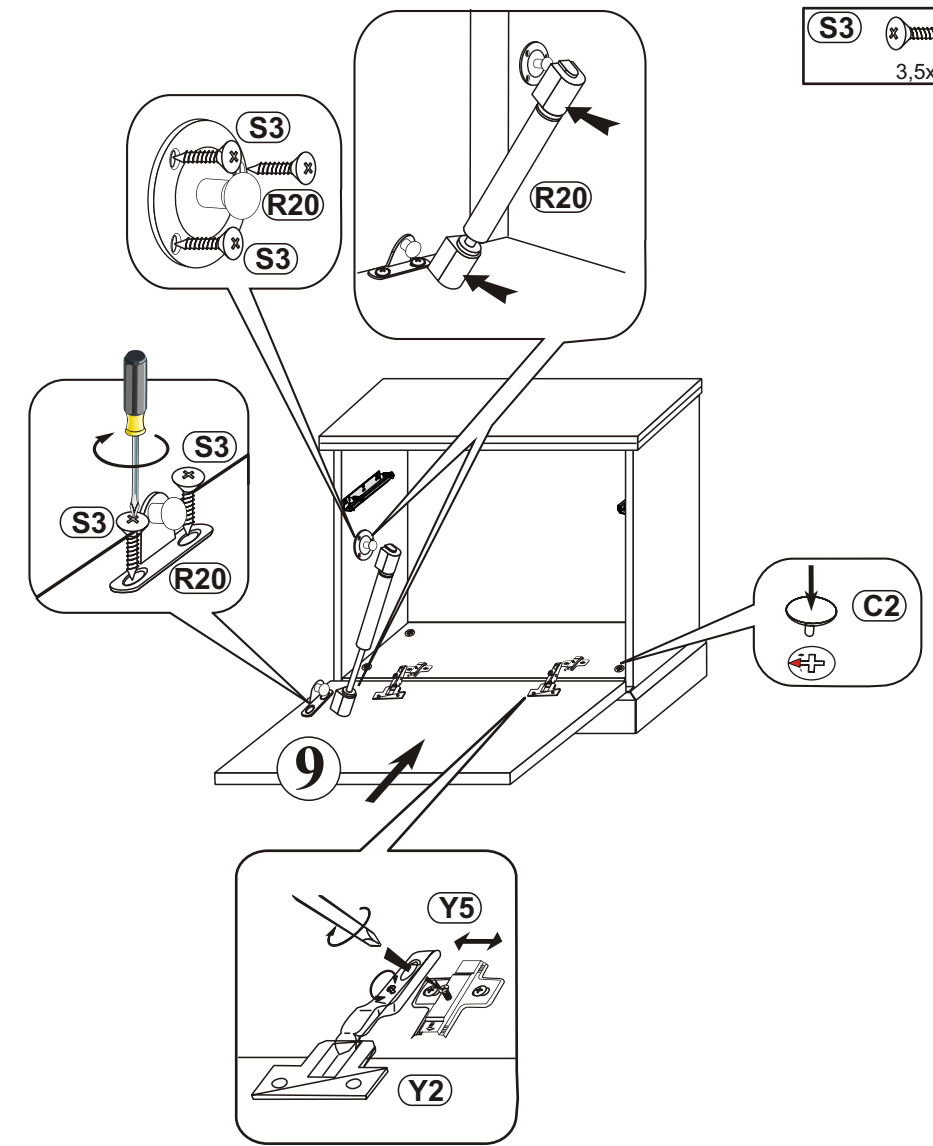
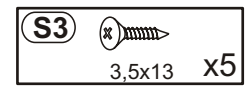
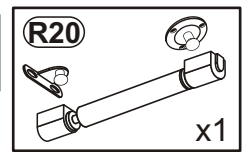
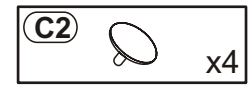
- Y2  x2
- U22  x1
- E3  6,3x13 x4
- A18  4,0x25 x1



8



9



10

