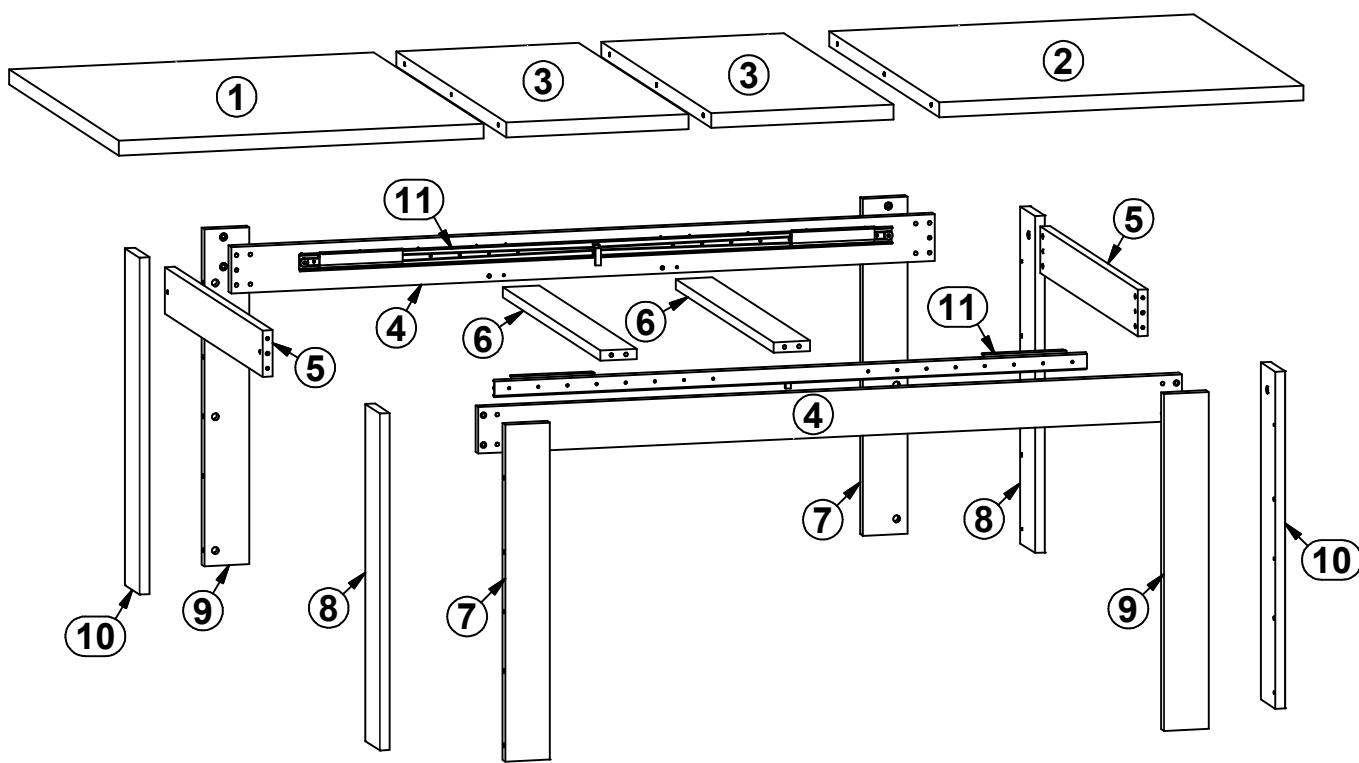
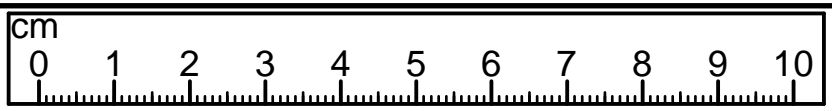
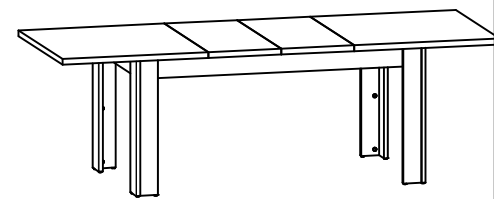


90 min

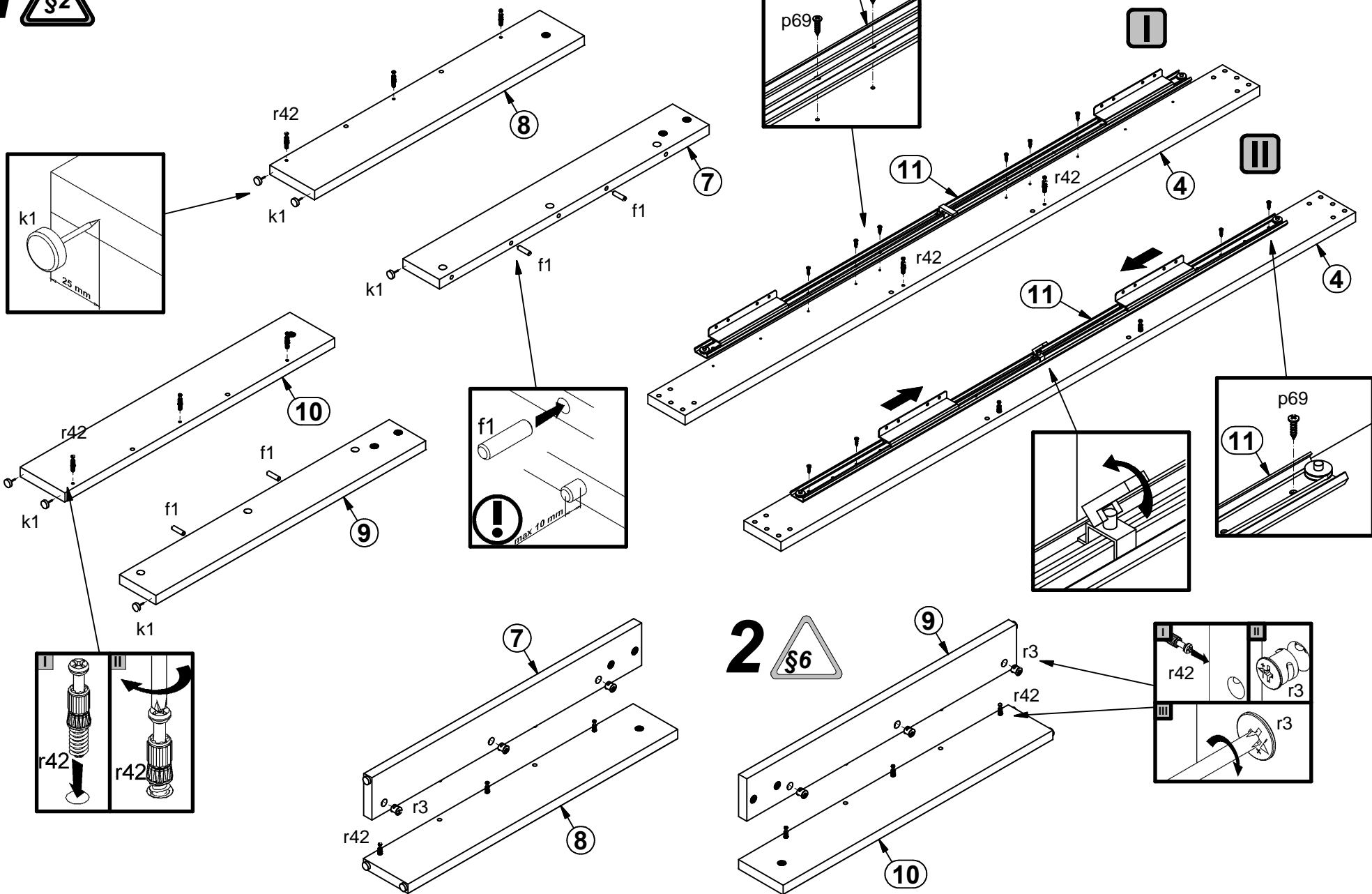


A	B	C (mm)		D
1	S214-205A	800	900	1/2
2	S214-206A	800	900	1/2
3	S214-207	400	900	1/2
4	S214-403	1544	100	2/2
5	S214-404	800	100	2/2
6	S214-405	800	80	2/2
7	S214-5524A	725	98	2/2
8	S214-5525A	725	120	2/2
9	S214-5526A	725	98	2/2
10	S214-5527A	725	120	2/2
11	w121	1300		2/2

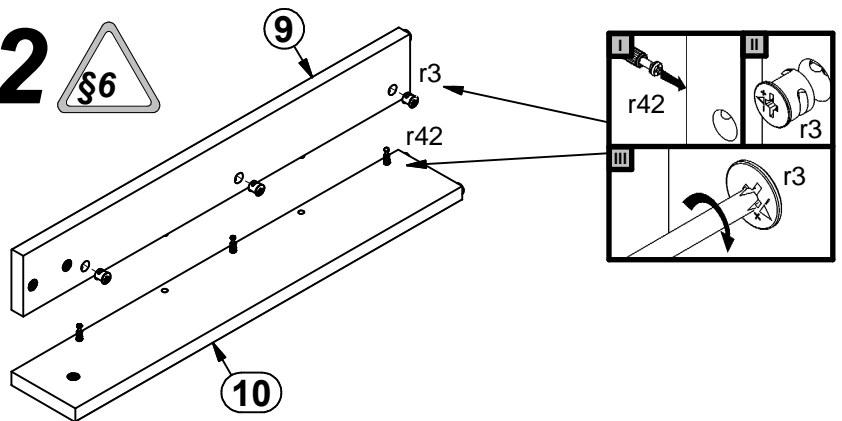


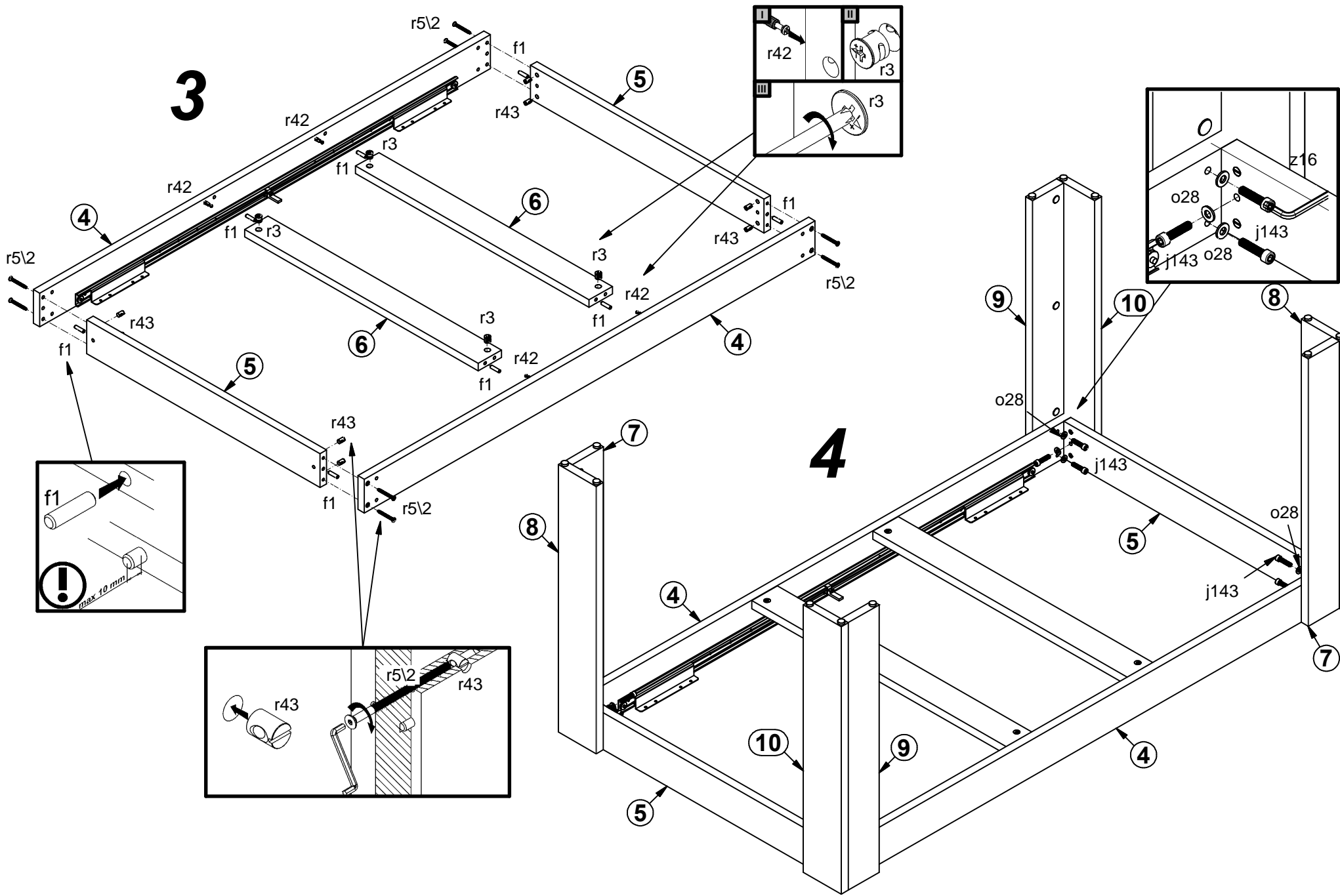
- 16x f1
- 12x j143
- 12x k1
- 12x o28
- 36x p69
- 16x r3
- 16x r42
- 8x r43
- 8x r5/2
- 12x s2
- 1x z1
- 1x z16

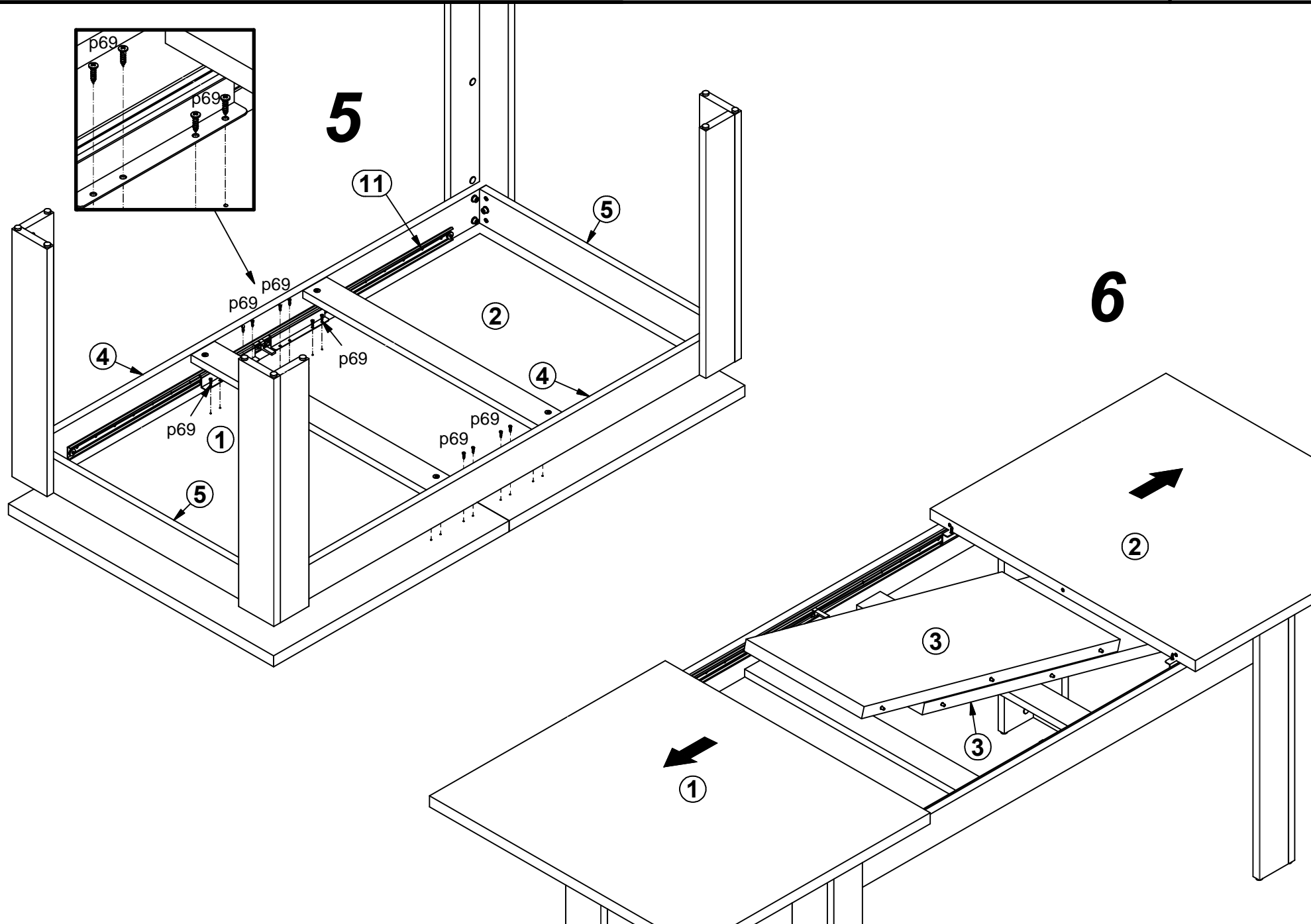
1 §2



2 §6







7

