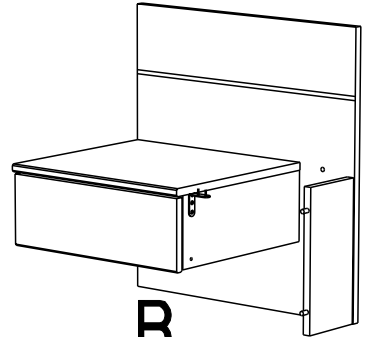


A

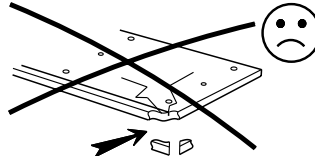
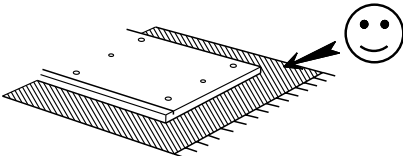
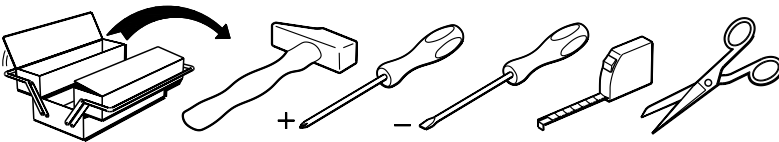


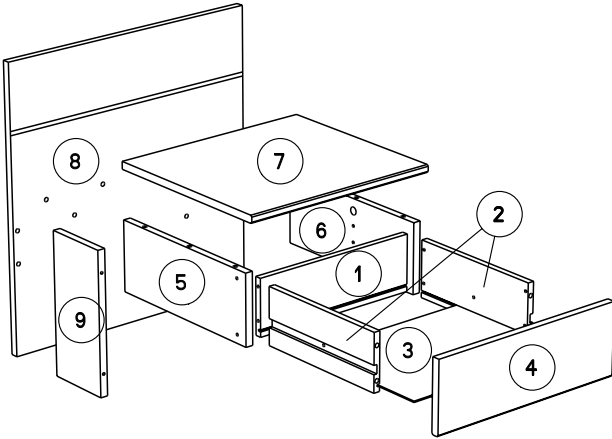
B

56.5cm
22 1/4"

53.5cm
21 1/4"

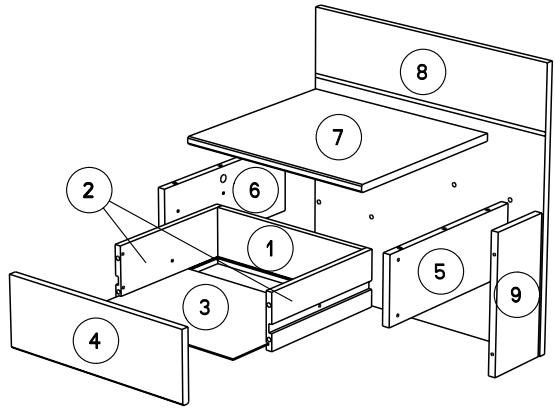
38cm
15"



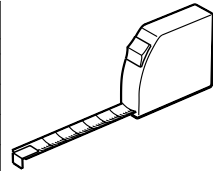


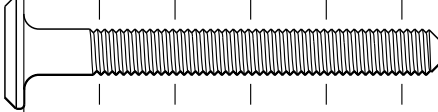
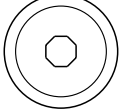
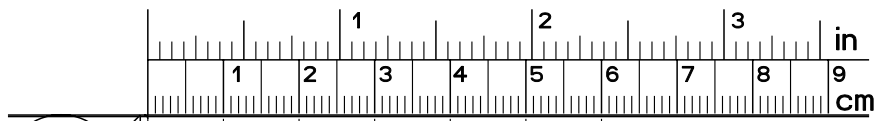
A

B

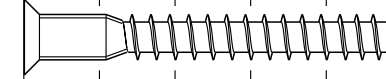


		mm			inch		
⑨	x 1	280	131	15	11	5 3/16	9/16
⑥	x 1	345	138	15	13 9/16	5 7/16	9/16
⑤	x 1	345	138	15	13 9/16	5 7/16	9/16
④	x 1	398	138	15	15 11/16	5 7/16	9/16
⑦	x 1	404	364	15	15 7/8	14 5/16	9/16
⑧	x 1	564	534	15	22 3/16	21	9/16
②	x 2	275	110	13	10 13/16	4 5/16	1/2
①	x 1	339	110	13	13 3/8	4 5/16	1/2
③	x 1	349	274	3	13 3/4	10 13/16	1/8





BLZ x 2



HW x 8



HV x 1



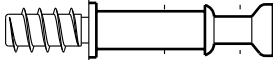
ADM x 8



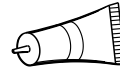
AHX x 2



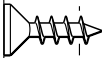
ADU x 4



BWC x 2



CF x 1



VG x 8



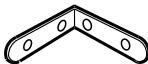
VR x 2



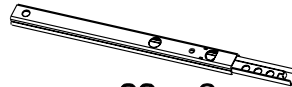
Ai x 2



ANK x 10

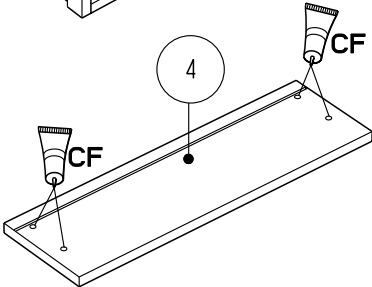
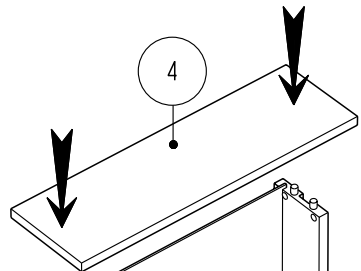
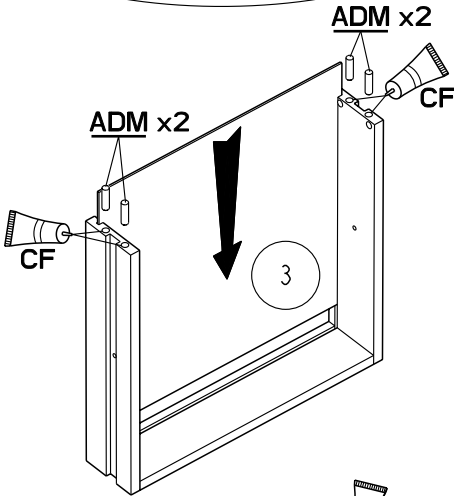
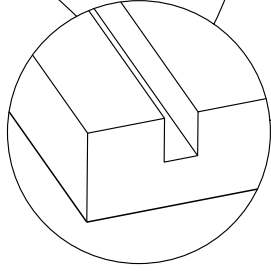
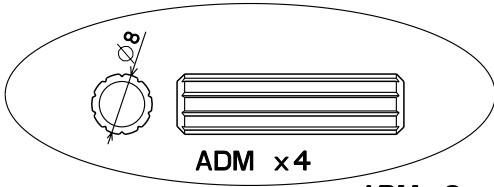
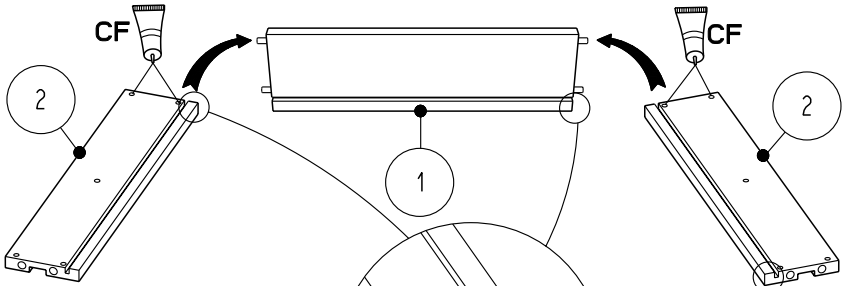
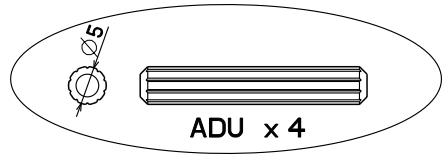
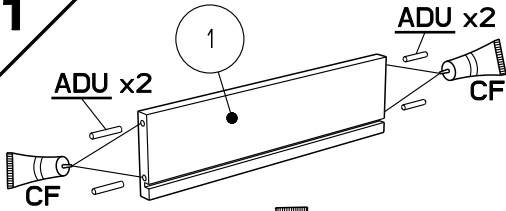


LN x 1

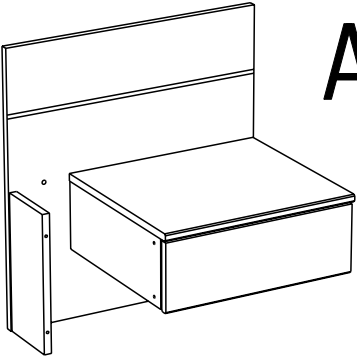


CG x 2

1

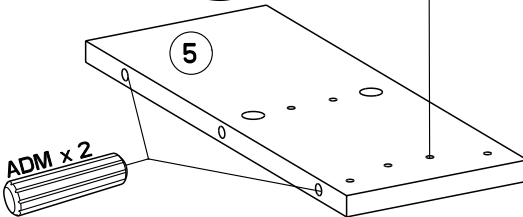
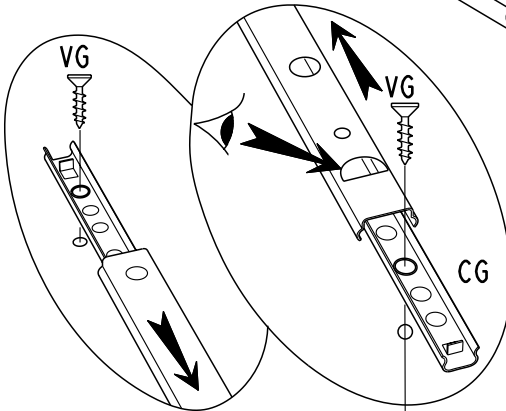
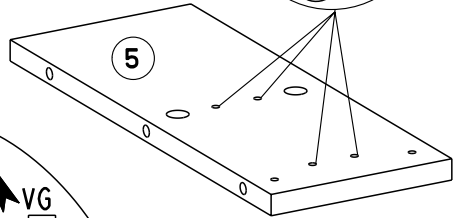
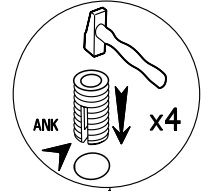
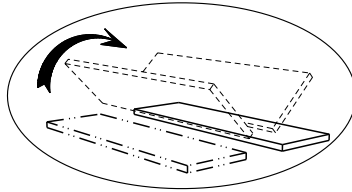
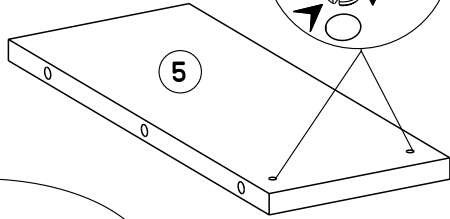
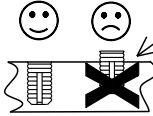


2

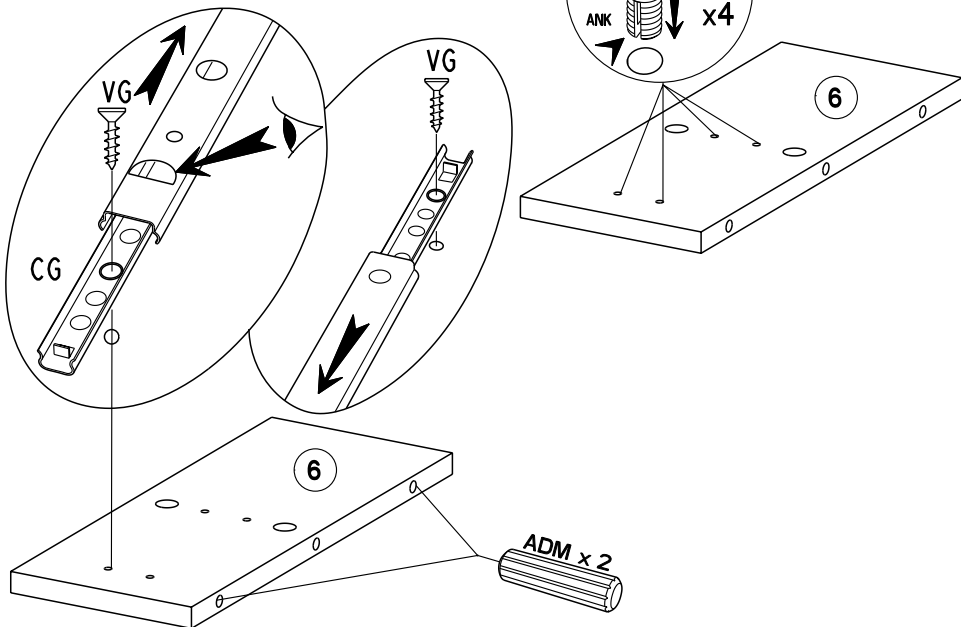


A

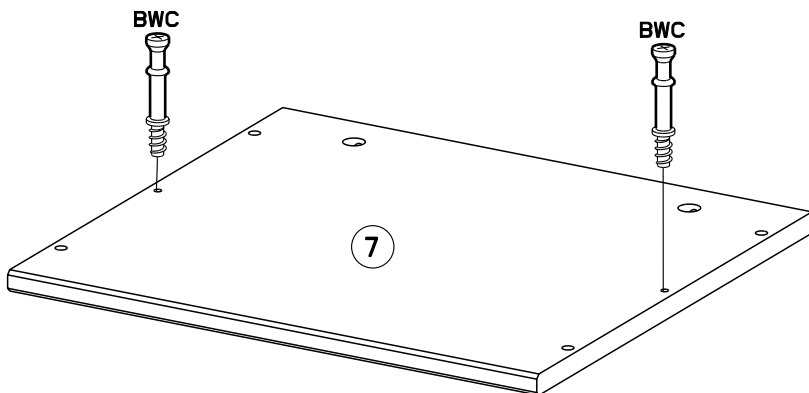
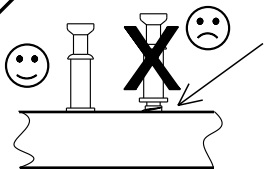
ANK



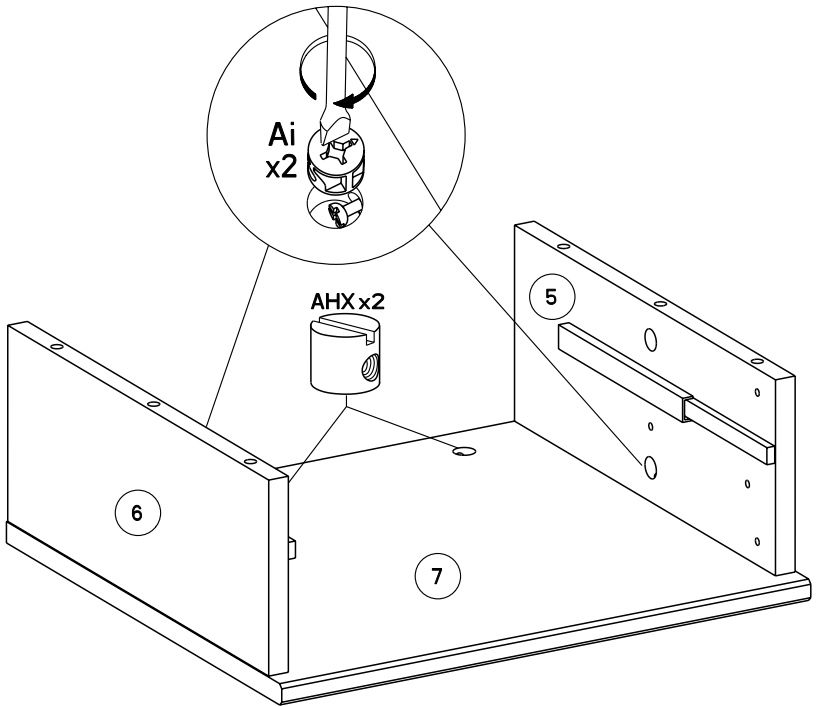
3



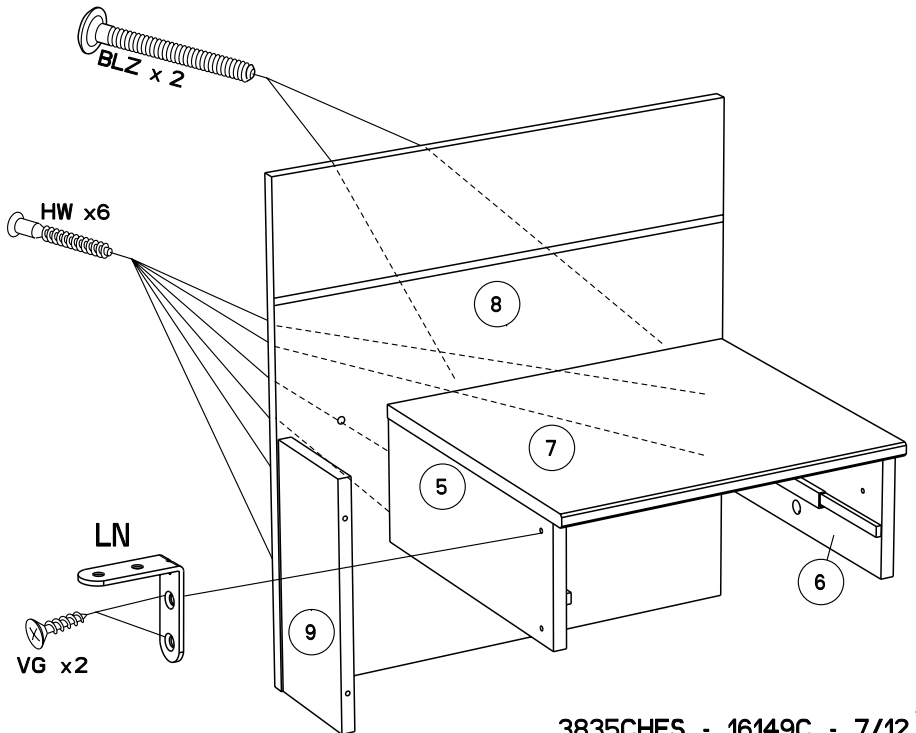
4



5

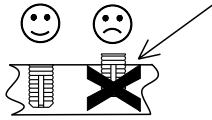


6

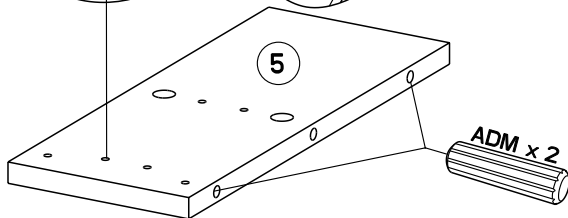
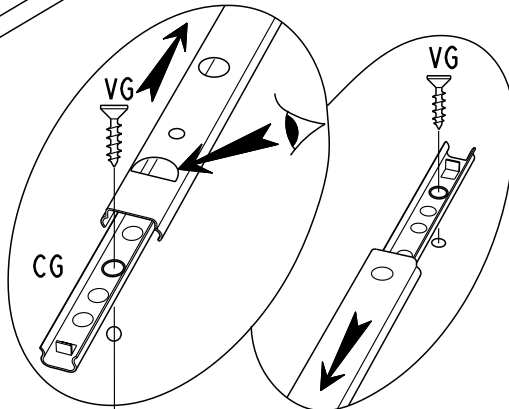
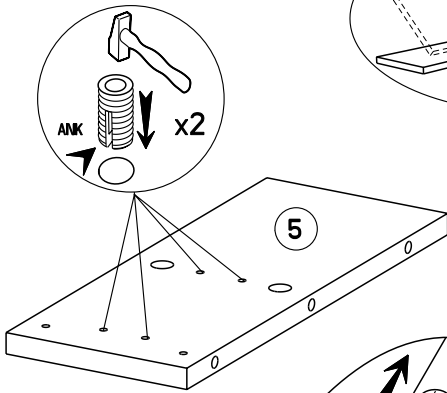
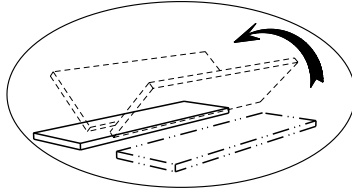
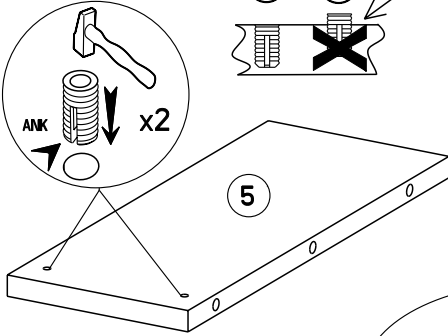
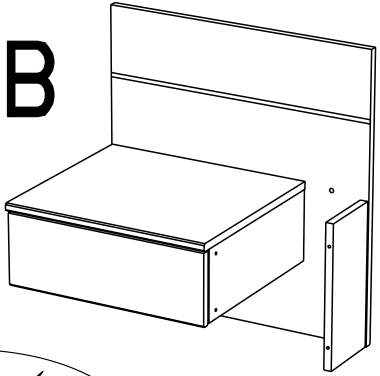


2

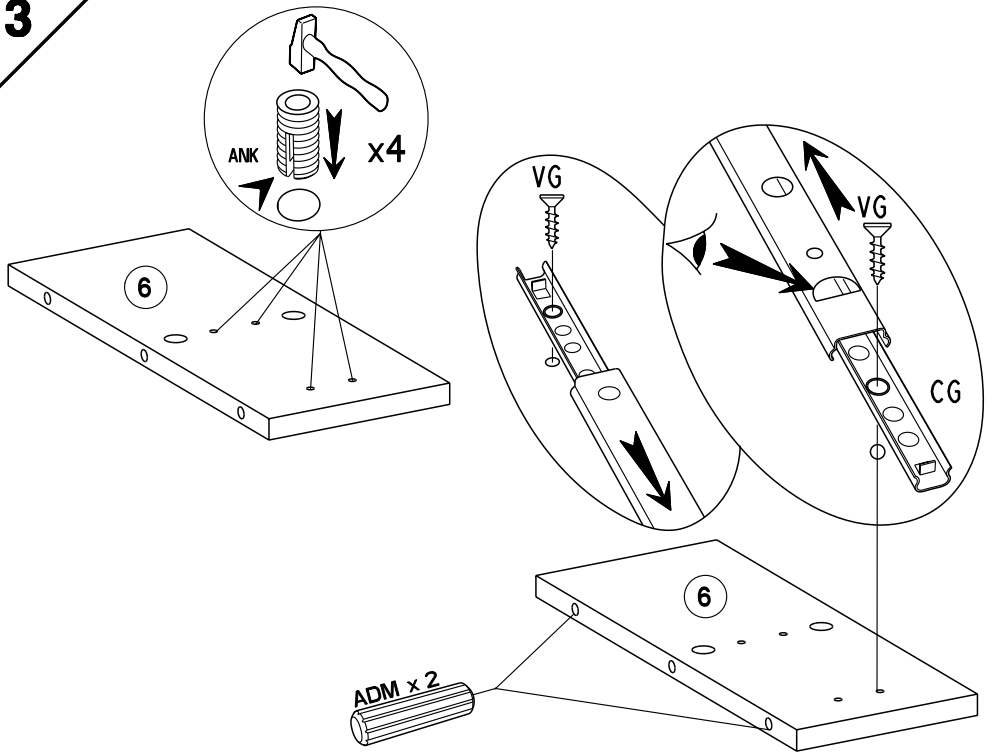
ANK



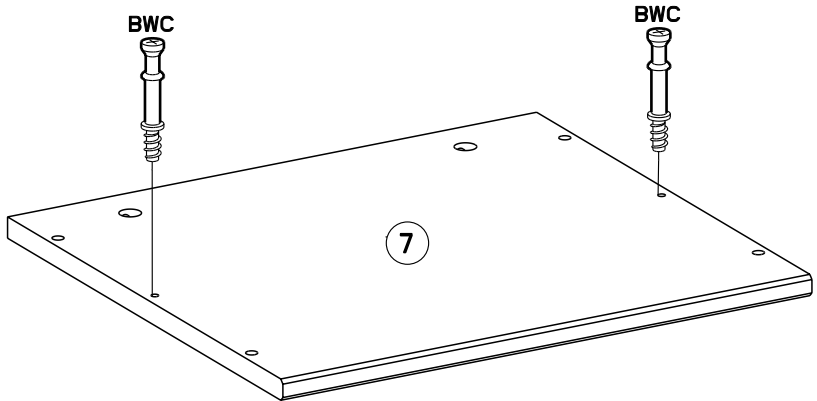
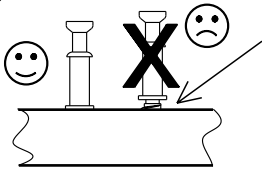
B



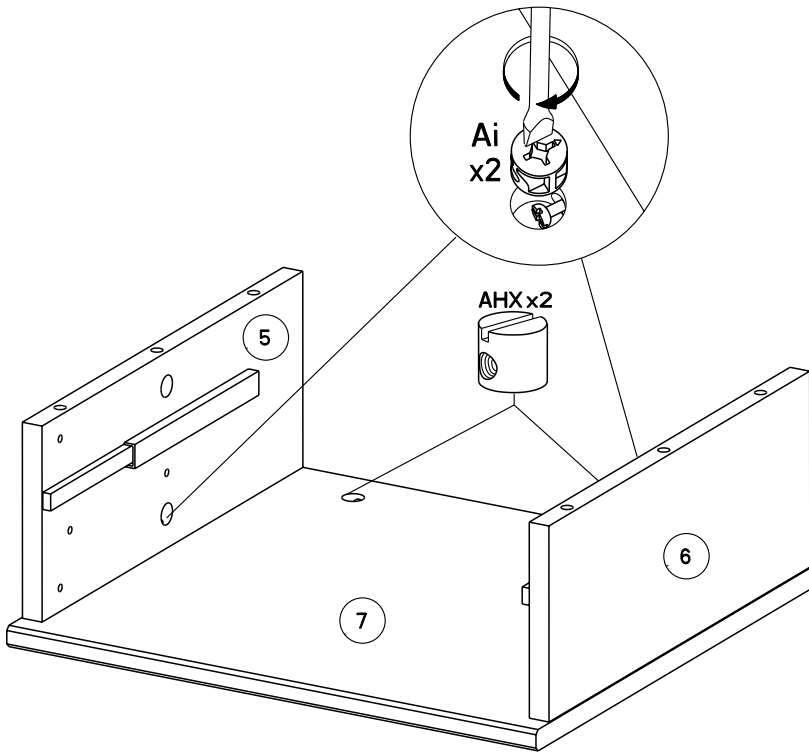
3



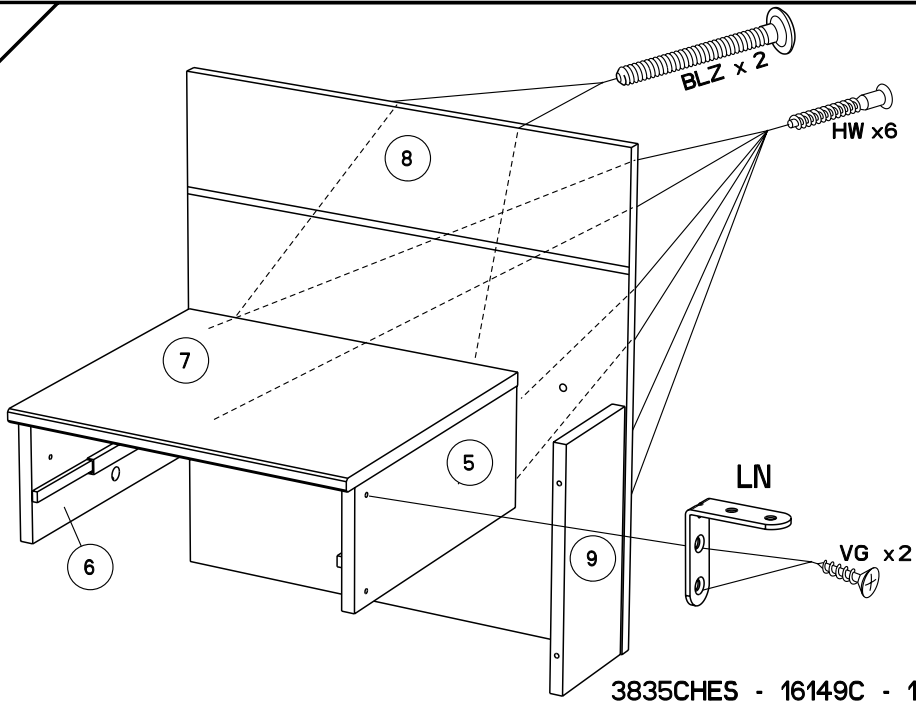
4



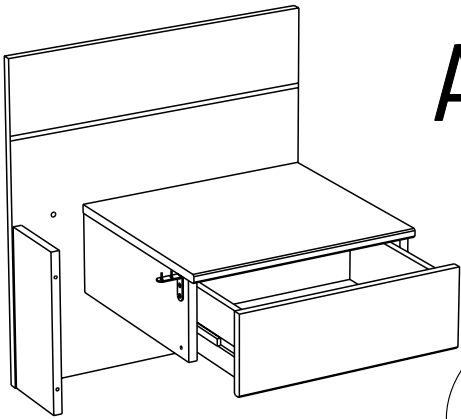
5



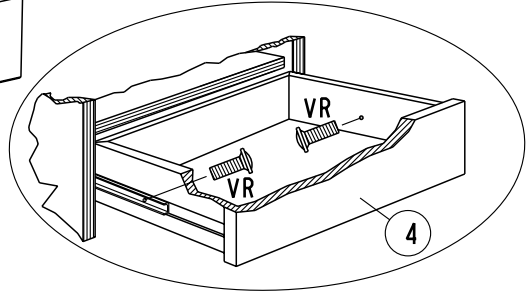
6



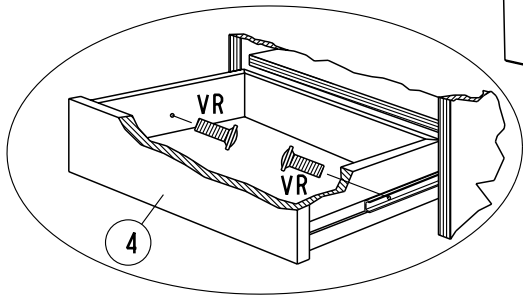
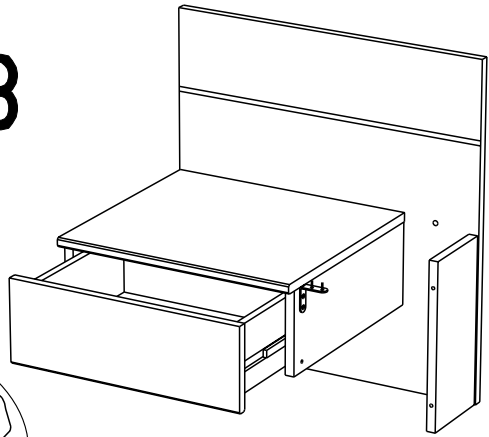
7



A



B



8

