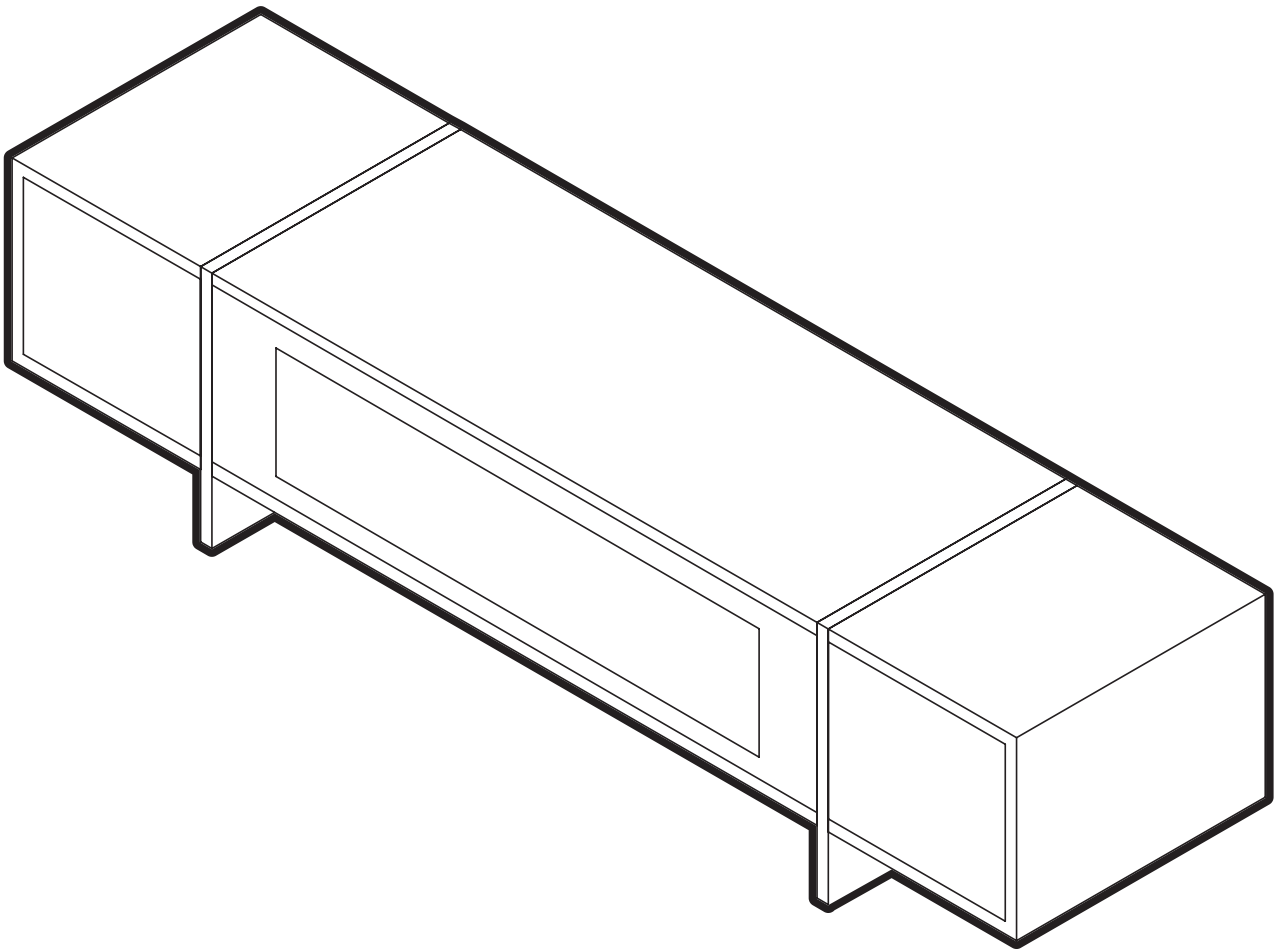


Product Name: EDGE
Product Ref: ED160WT/W
Art number: 407330/407331

TECH LINK™



 = 60mins

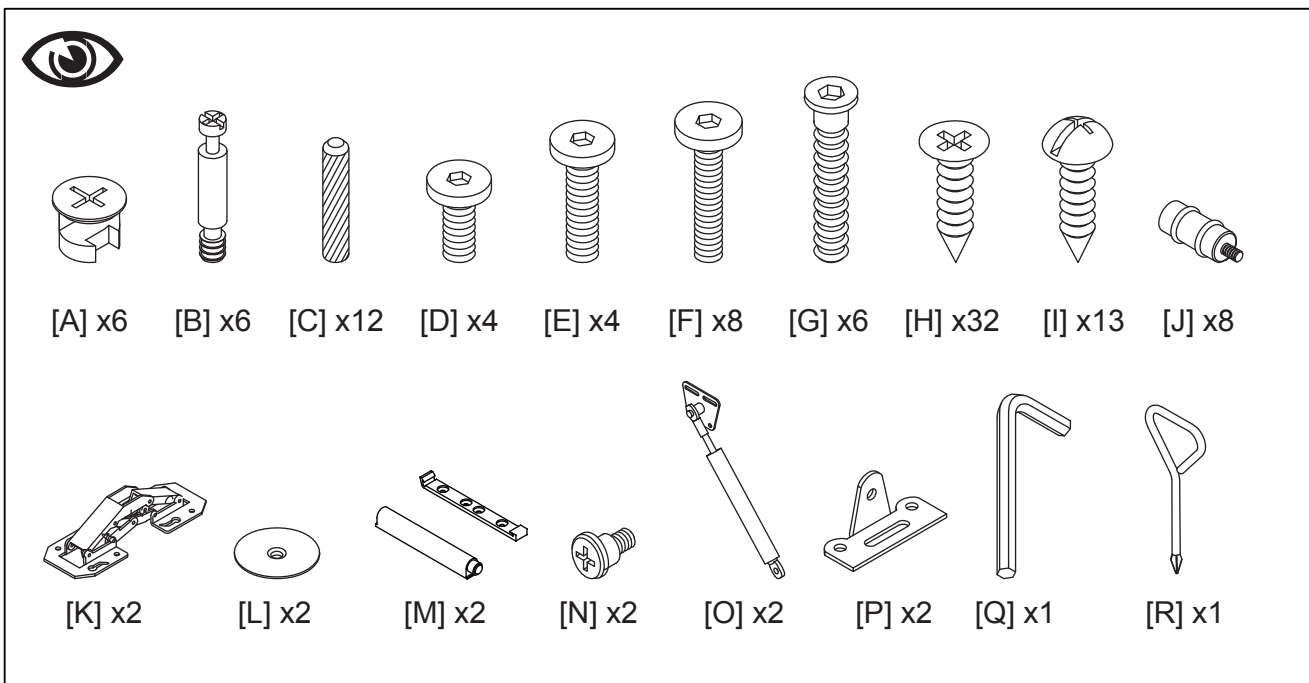
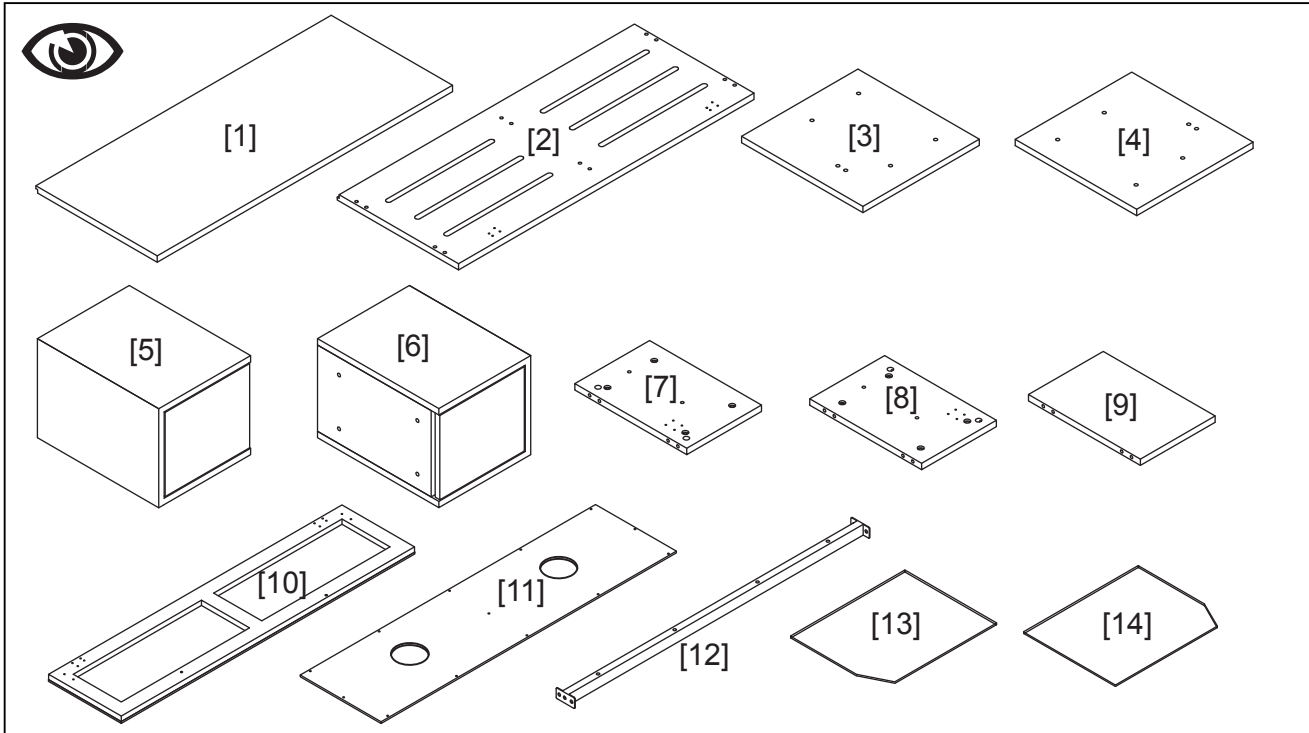
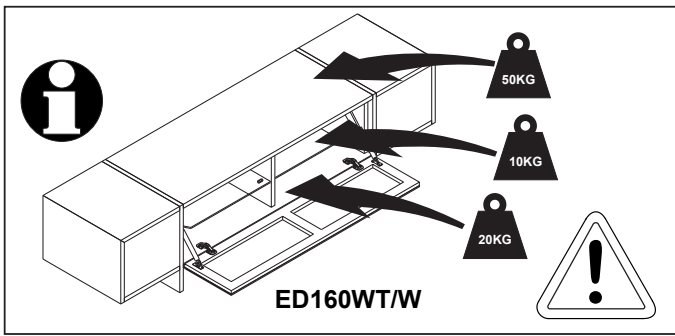
TECHLINK, A Division Of Tapehand Ltd.
Units 7 and 8 Bat and Ball Enterprise Centre
Bat and Ball Road
Sevenoaks
Kent
United Kingdom
TN14 5LJ



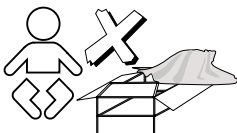
0800 634 2699

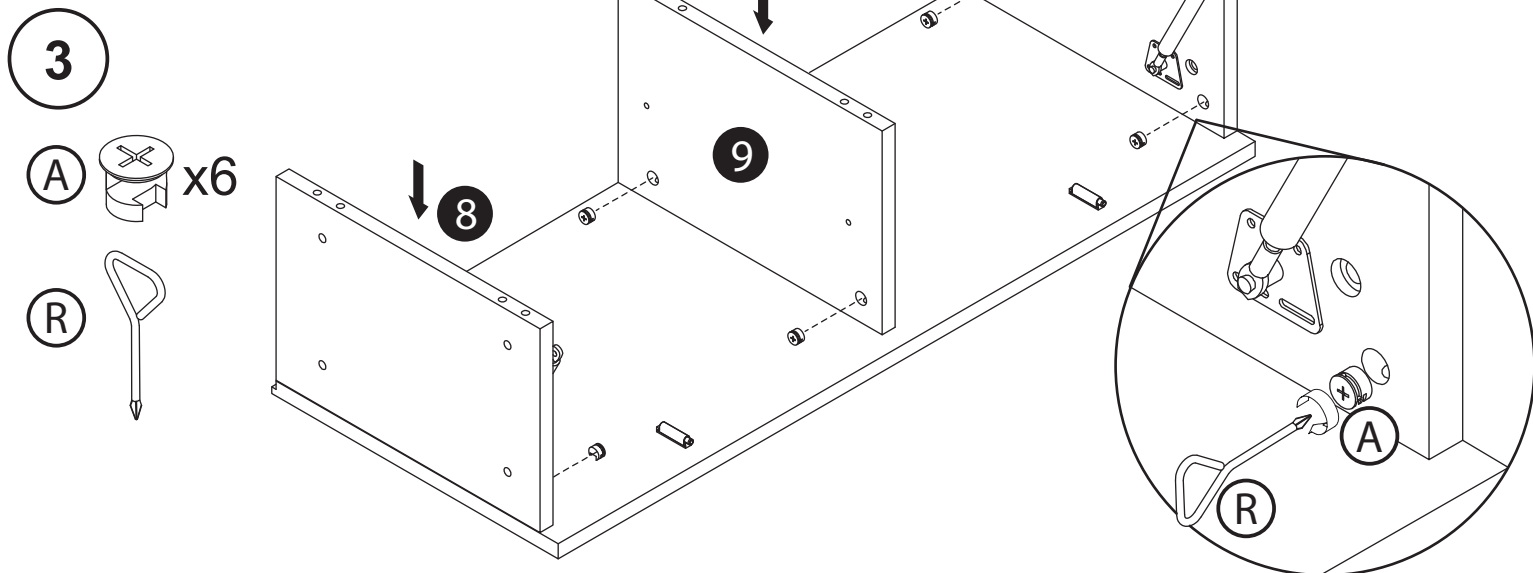
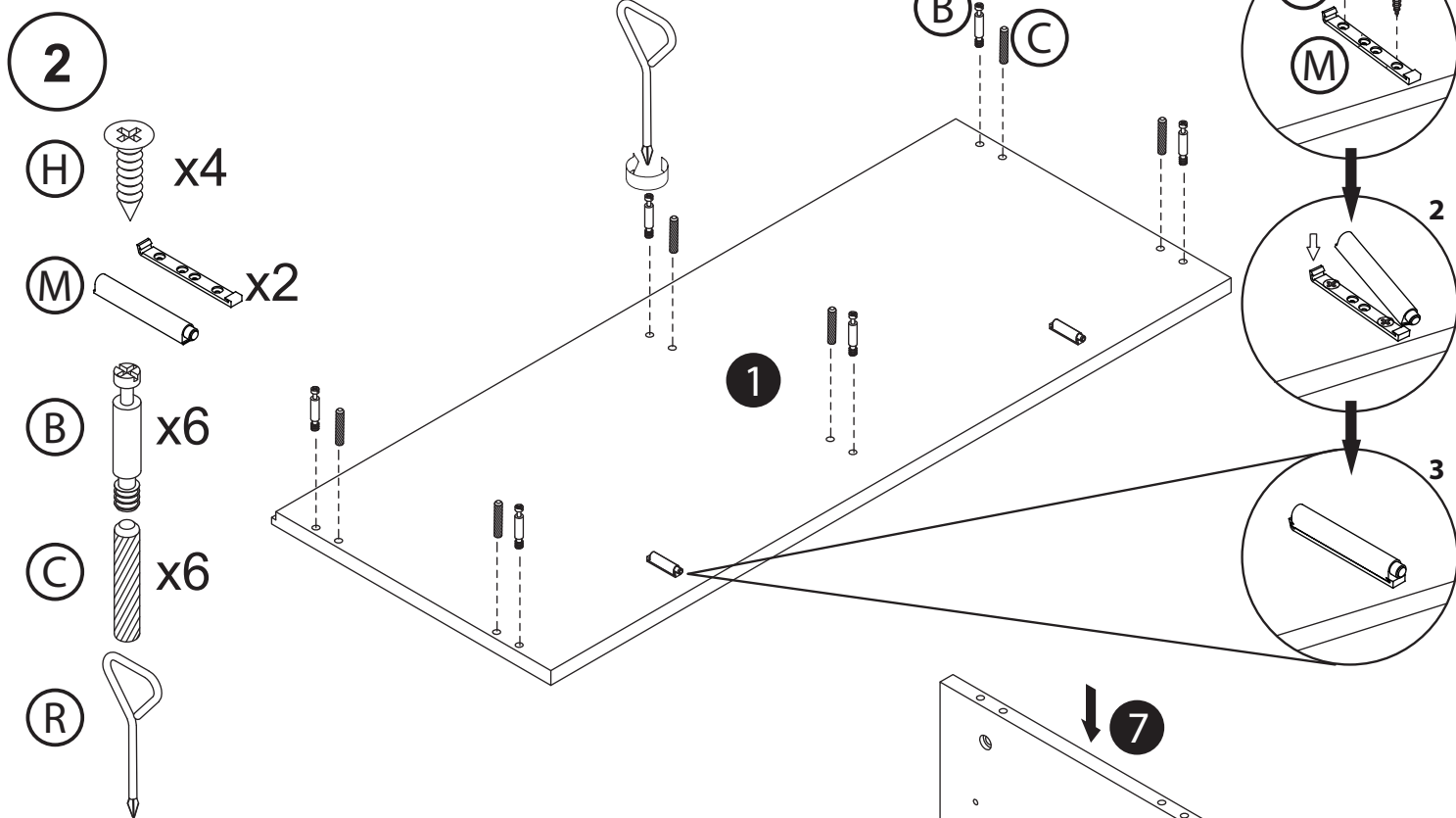
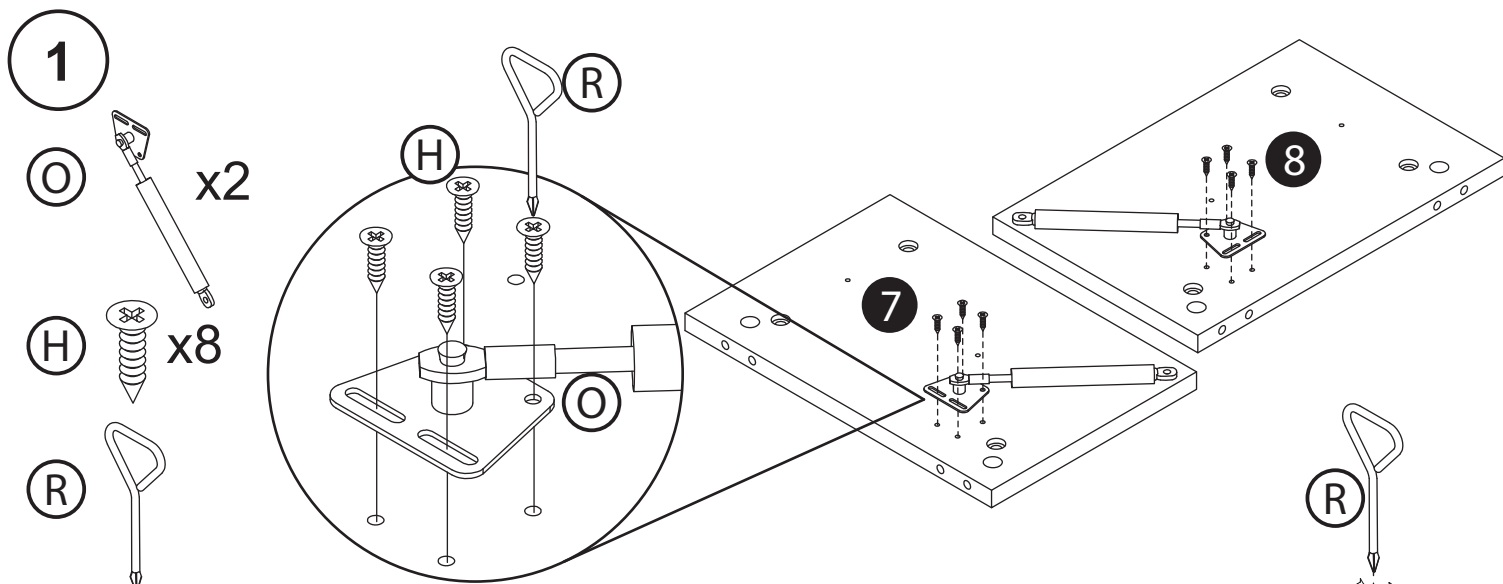


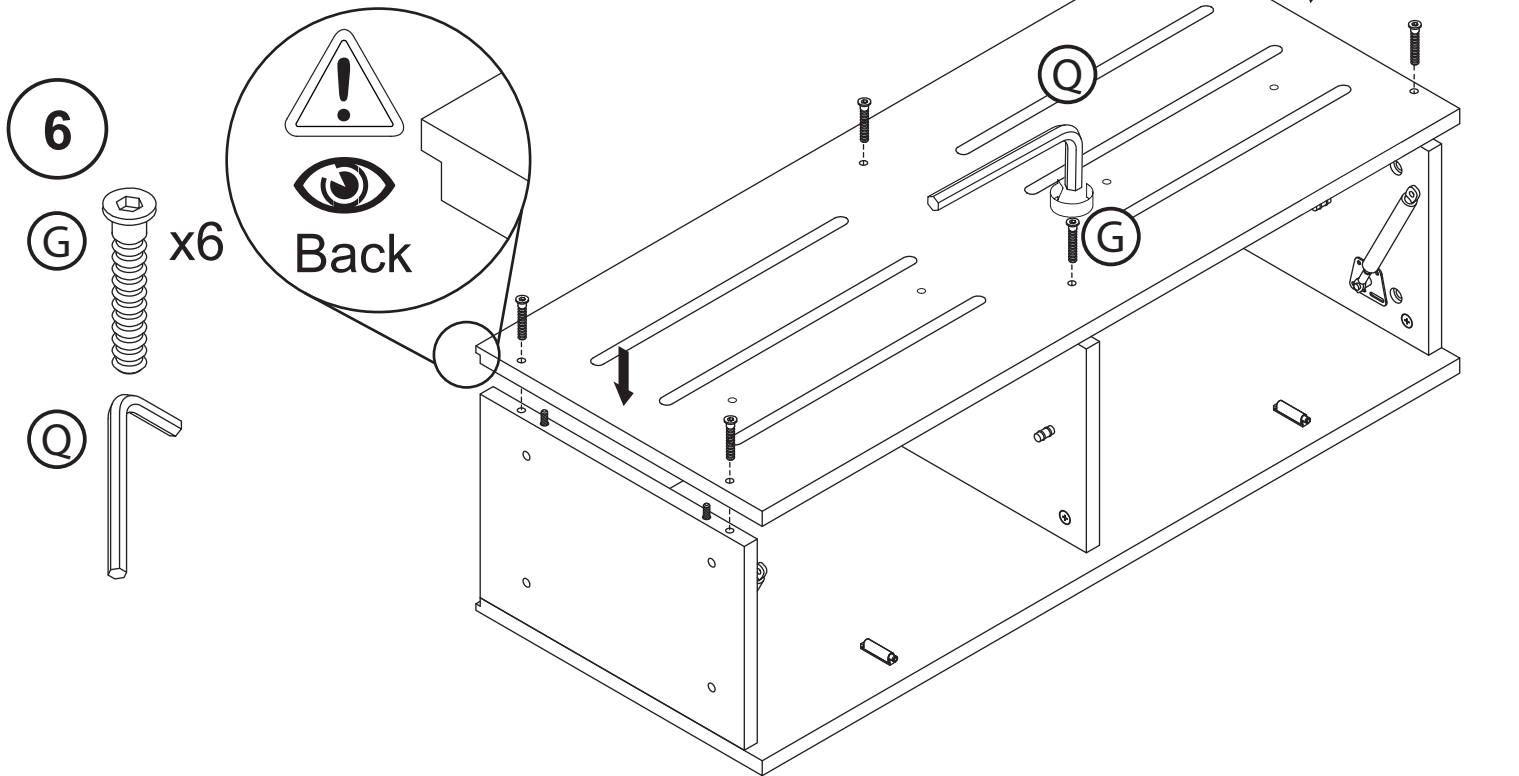
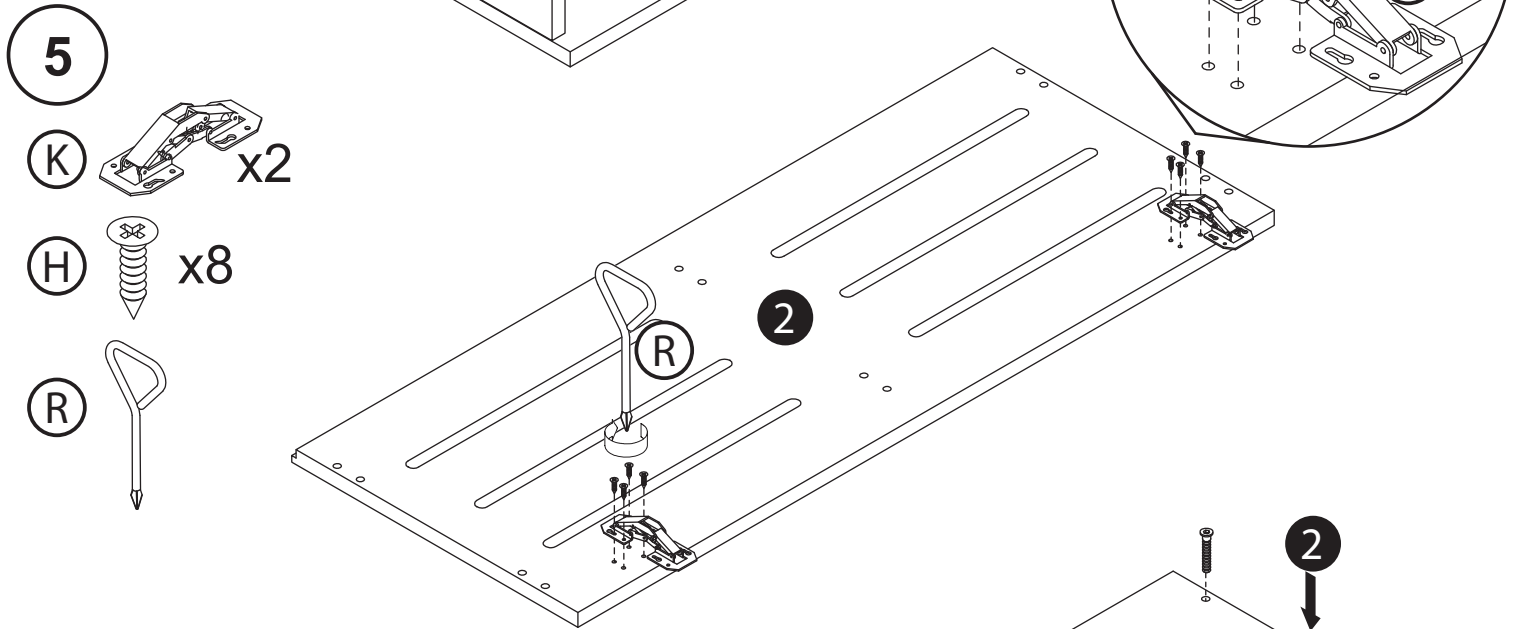
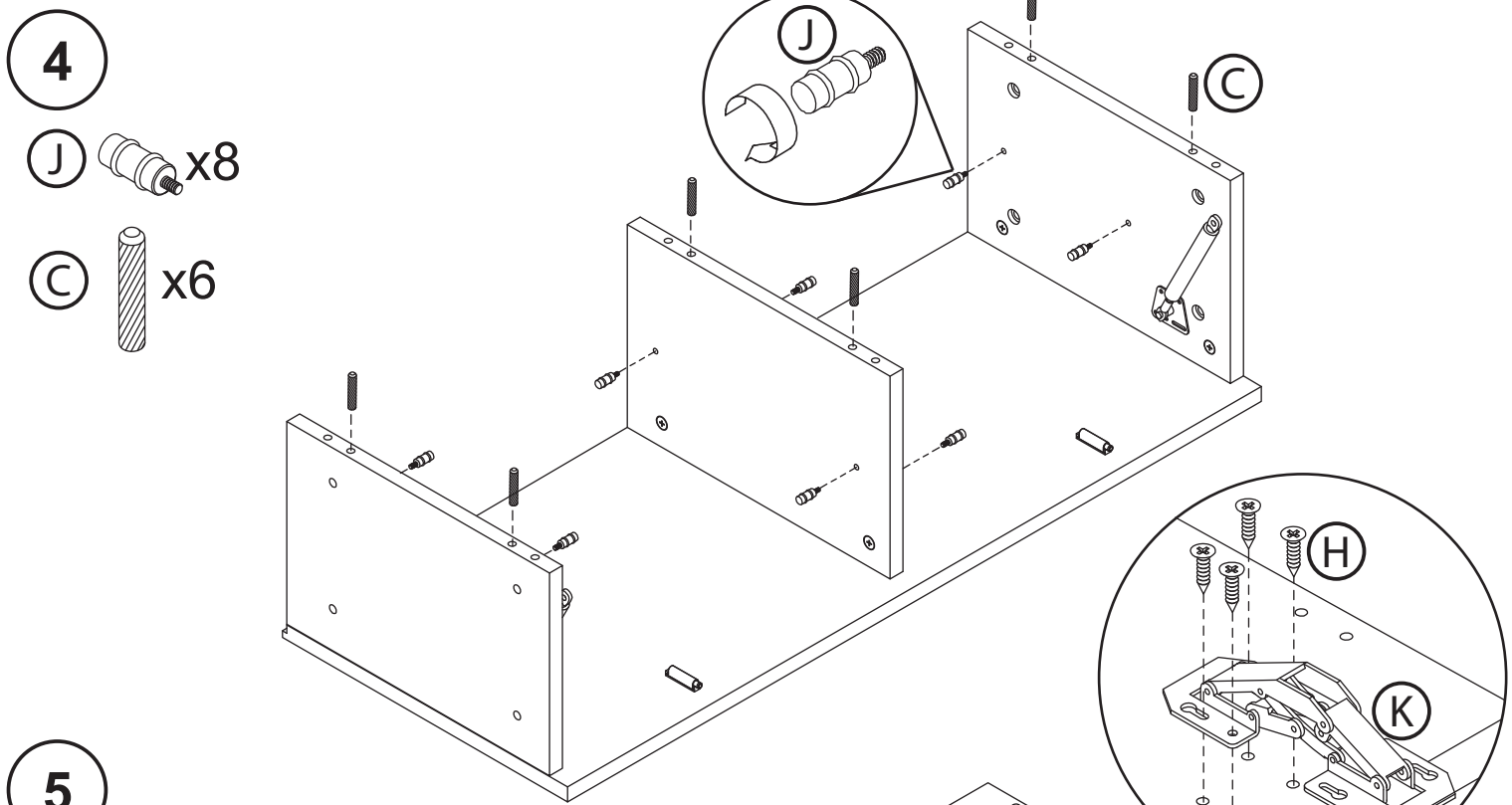
spares@techlink.uk.com



Take extra care not to over tighten any screws as this may cause damage!

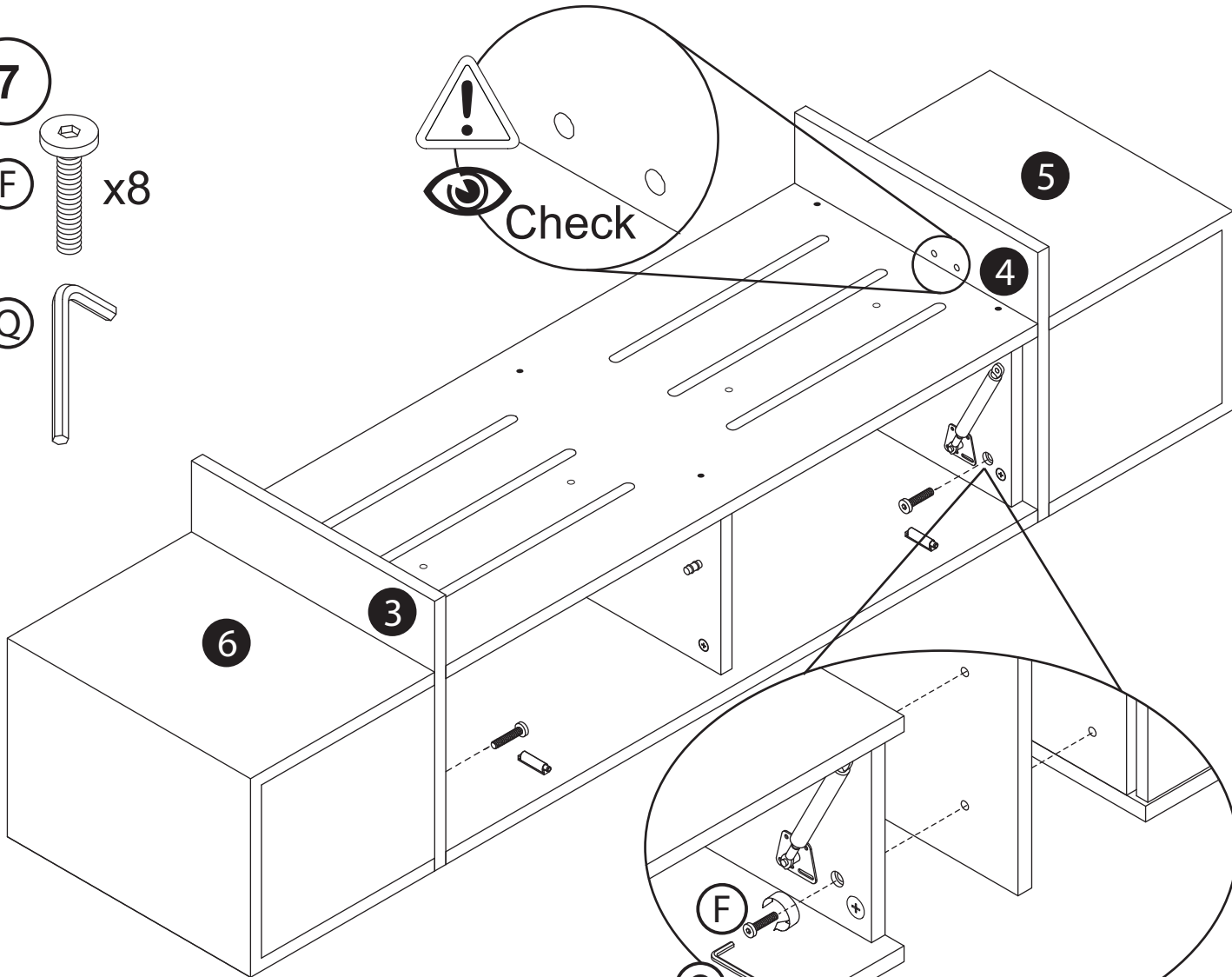
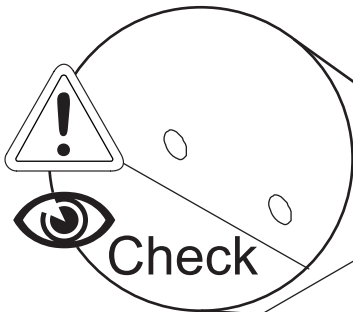
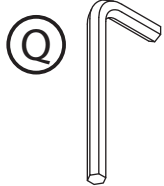






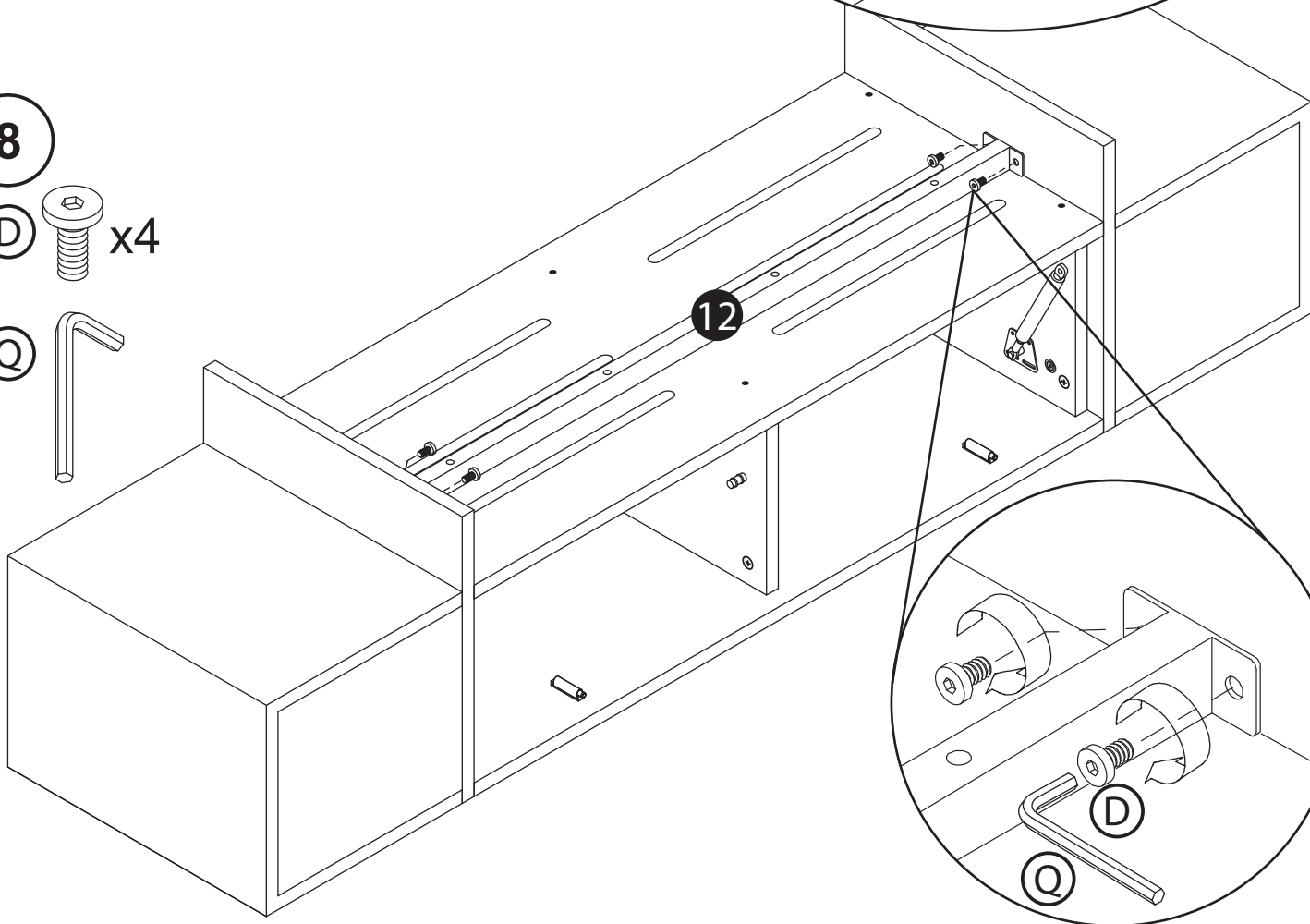
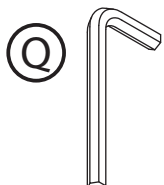
7

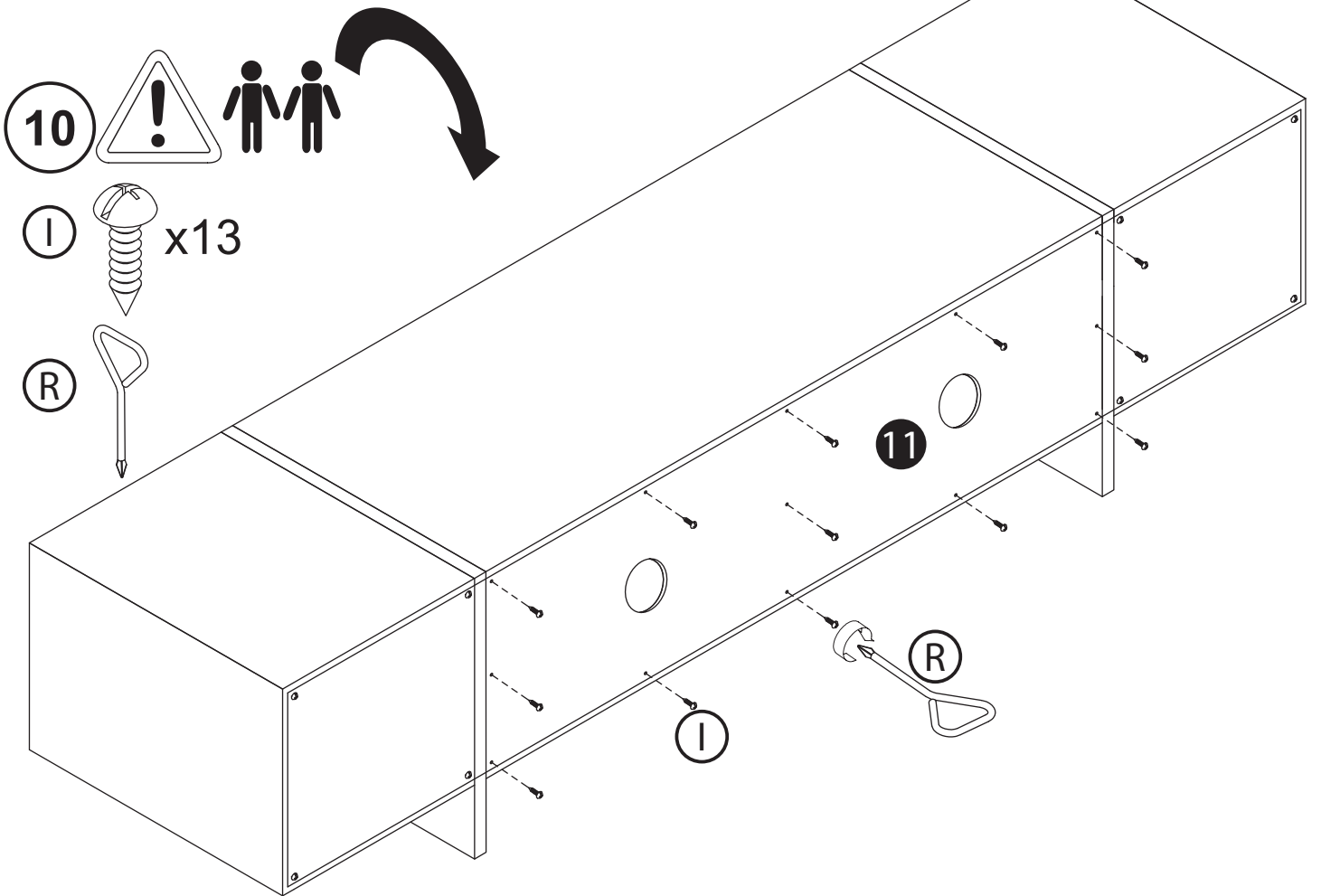
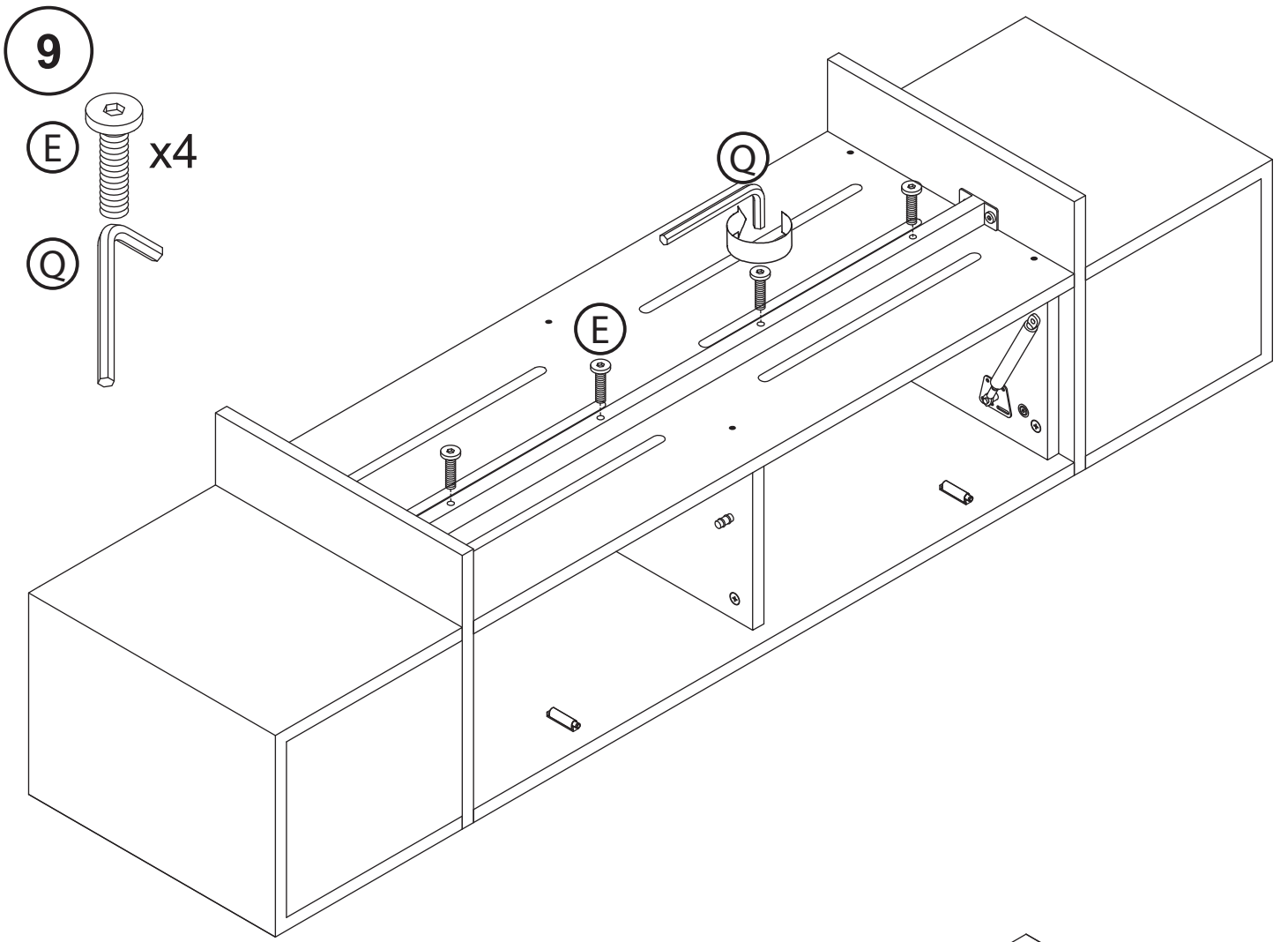
F x8



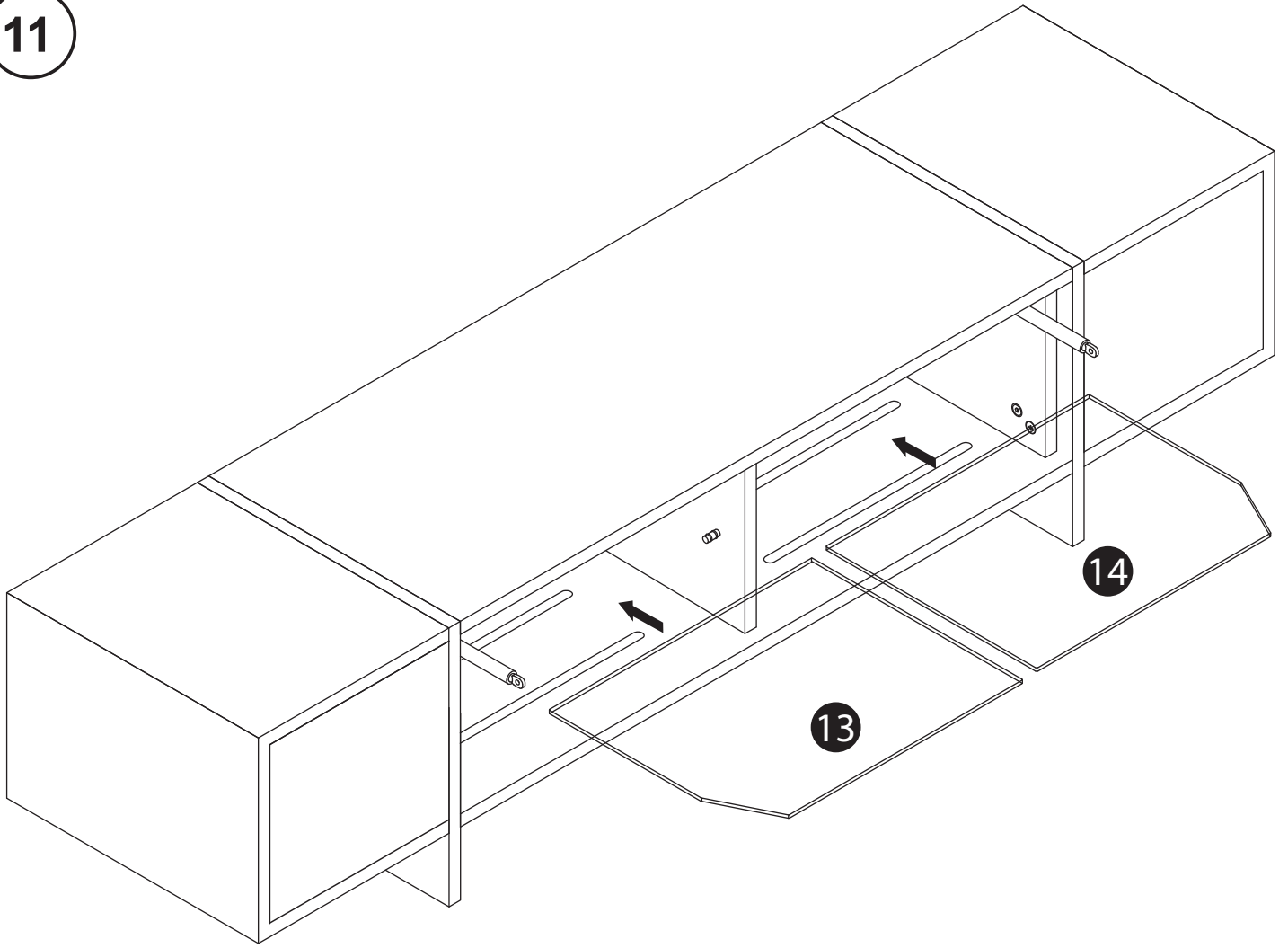
8

D x4

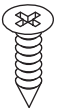





11




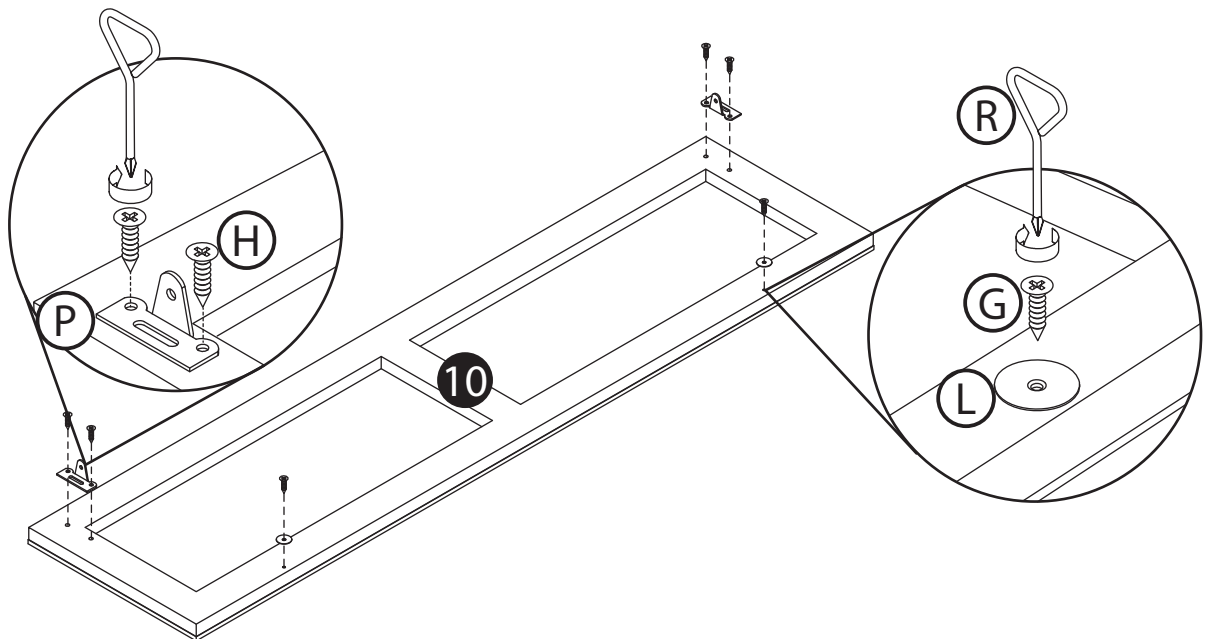
12

(H)  x4

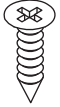
(P)  x2


(L)  x2

(R) 

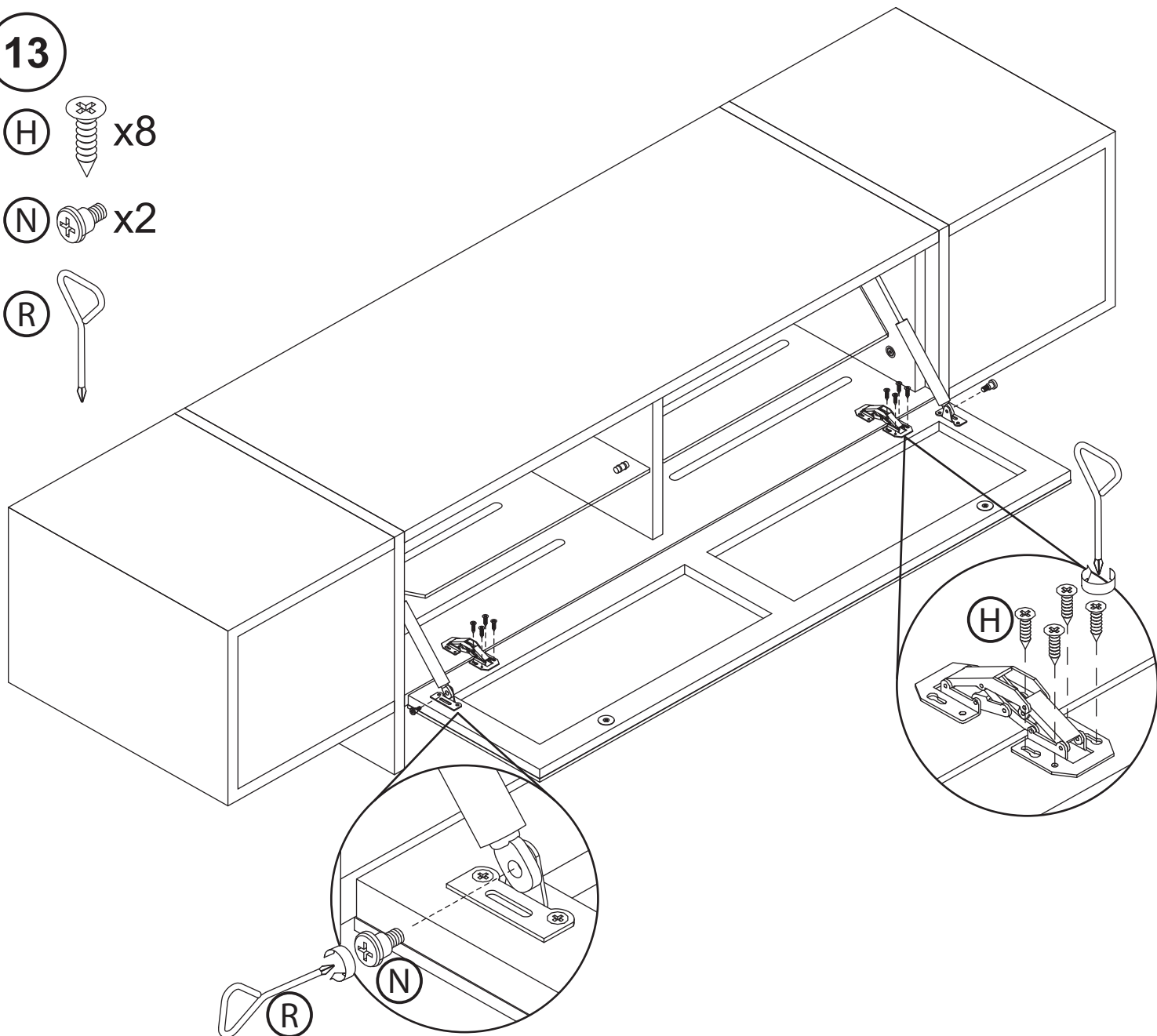


13

(H)  x8

(N)  x2

(R) 



Care Instructions:

This product uses real wood veneer. Slight colour change over time due to exposure to natural light is to be expected.

Avoid direct sunlight as this can produce colour changes in the areas affected.

Colour and pattern variation is to be expected with this natural material and does not constitute a product defect.

Clean all surfaces using a soft damp cloth. A suitable furniture polish can be used if required.

Do not use abrasive cleaners.

Do not place hot or cold items in direct contact with any part of this product.

Take care not to overtighten any part of this assembly.