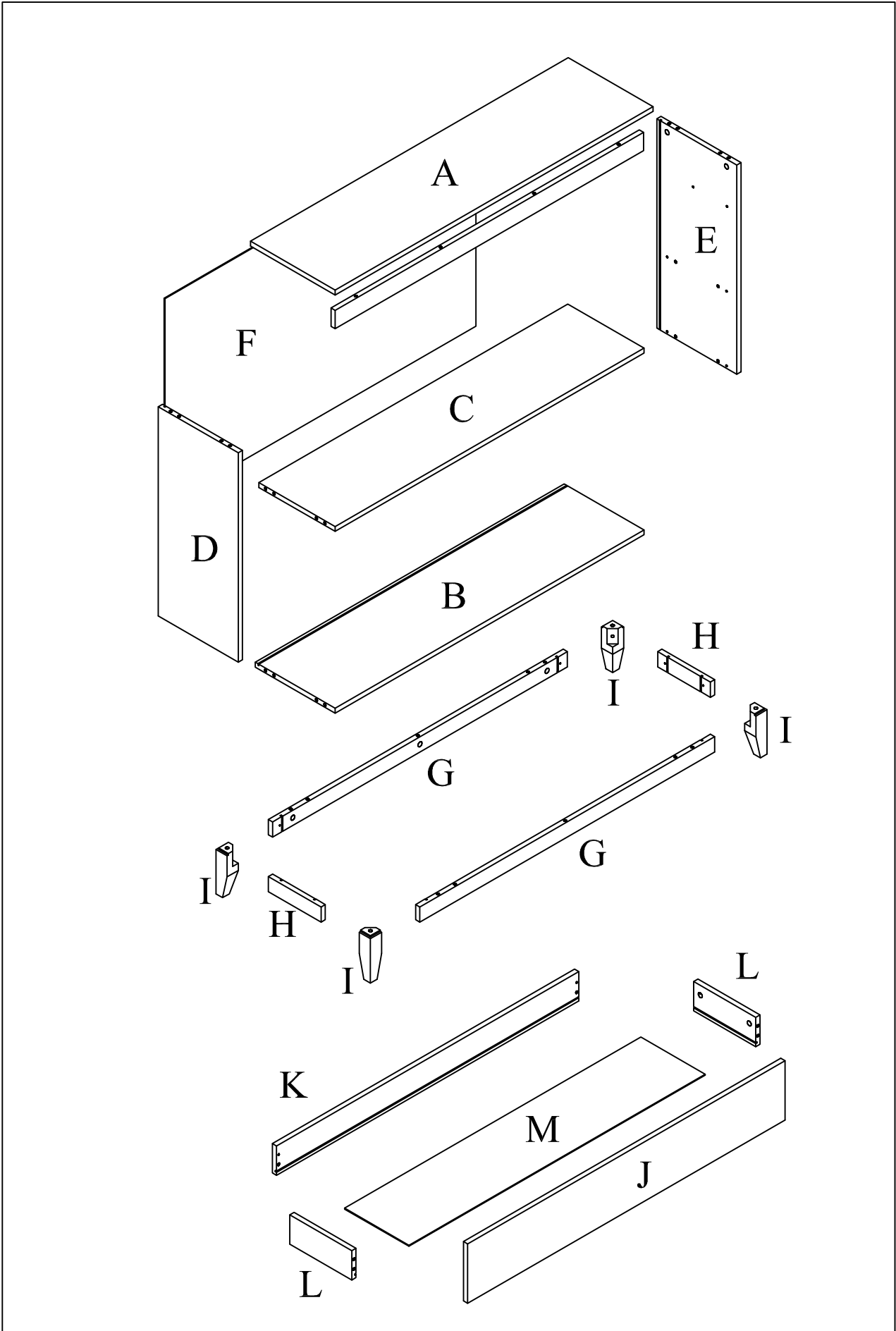
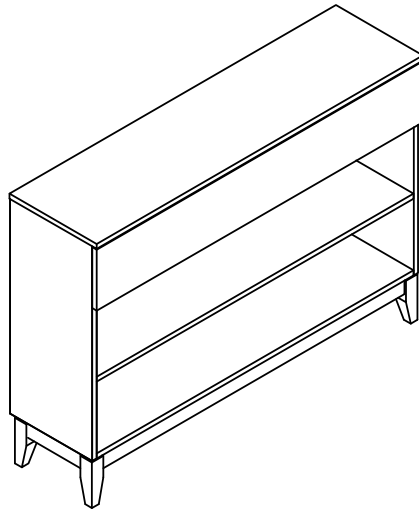



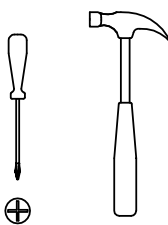
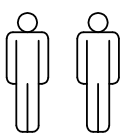
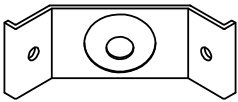
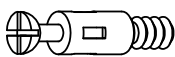






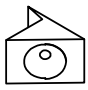


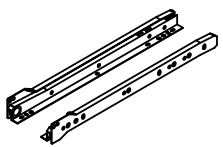
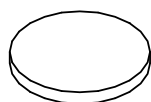

Designed by

Leonhard Pfeifer

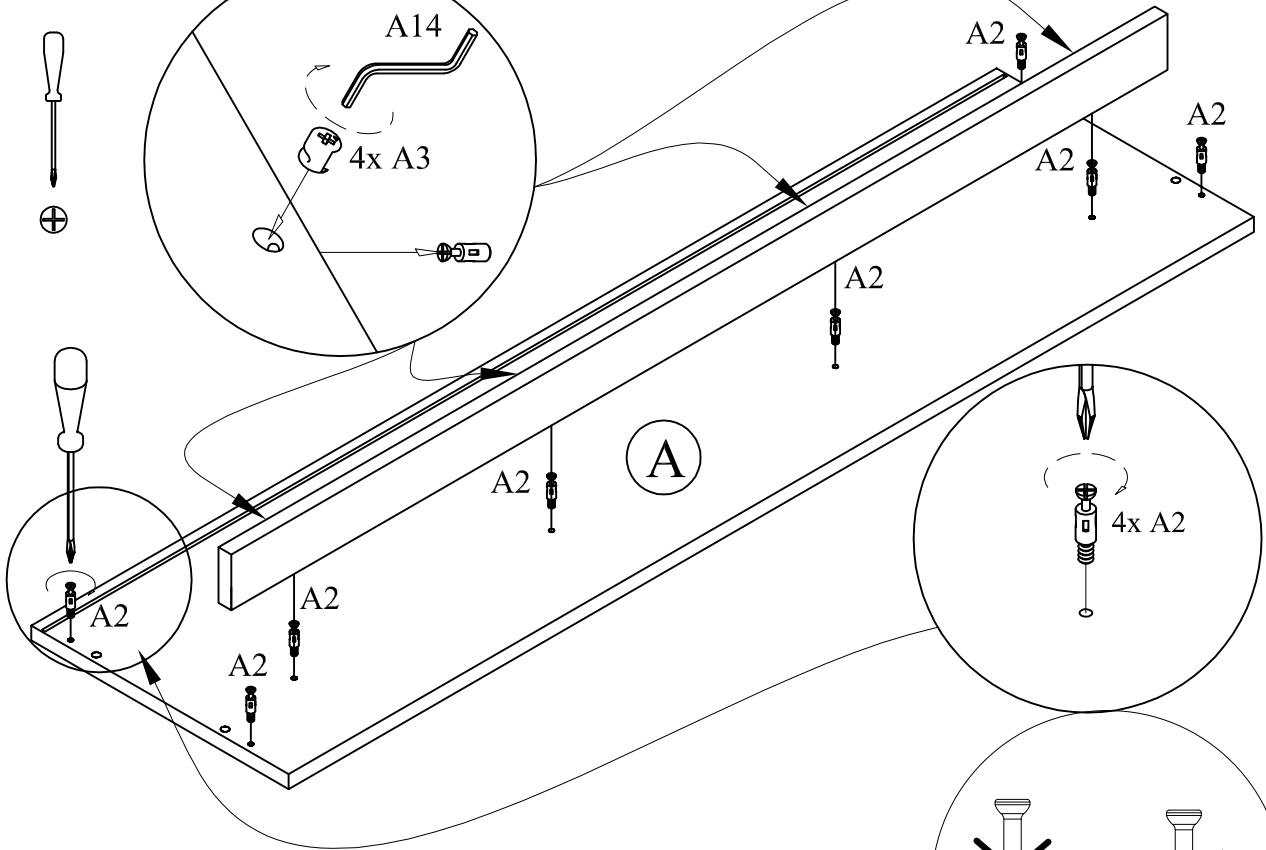


Ruler - To help correctly identify the fittings

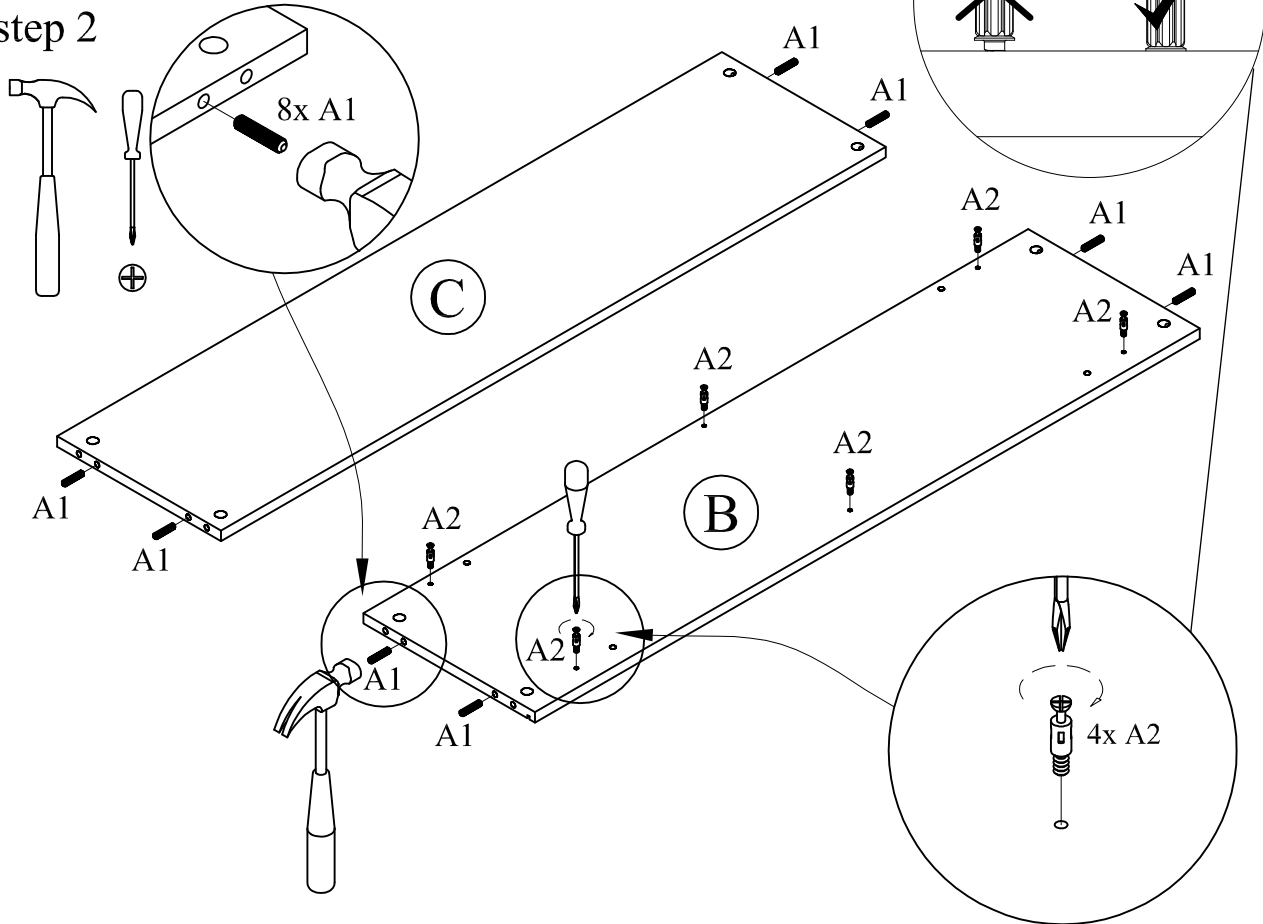


<p>A1</p>  <p>x20 Ø8x35</p>	 	<p>A8</p>  <p>x4</p>	
<p>A2</p>  <p>x26 Ø7x24</p>		<p>A9</p>  <p>x8 Ø3,5x16</p>	
<p>A3</p>  <p>x26</p>		<p>A10</p>  <p>x4 M6x40</p>	
<p>A4</p>  <p>x4 Ø3,0x15</p>		<p>A11</p>  <p>x4 M6/10x20</p>	
<p>A5</p>  <p>x4 Ø6,3x9</p>		<p>A12</p>  <p>x14 4mm</p>	
<p>A6</p>  <p>x4 Ø16</p>		<p>A13</p>  <p>x14 Ø3,0x20</p>	
<p>A7</p>  <p>x1 250mm</p>		<p>A15</p>  <p>x4 20mm</p>	<p>A14</p>  <p>x1 4mm</p>

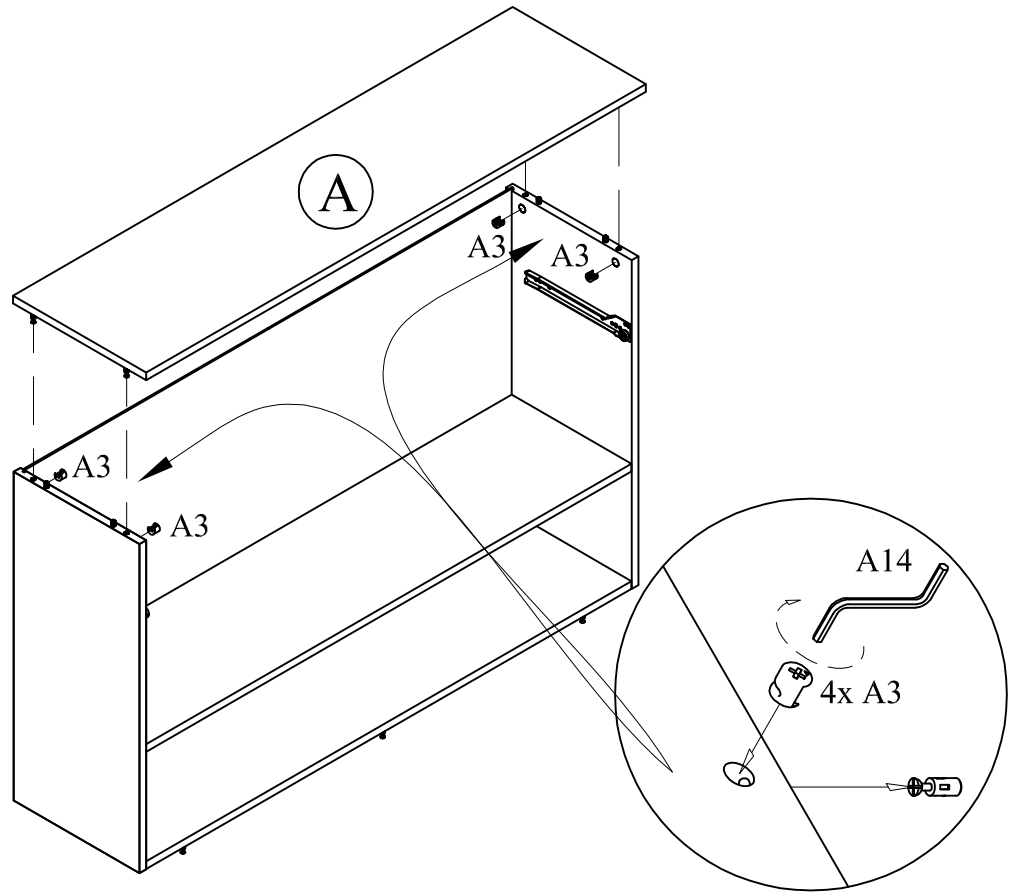
step 1



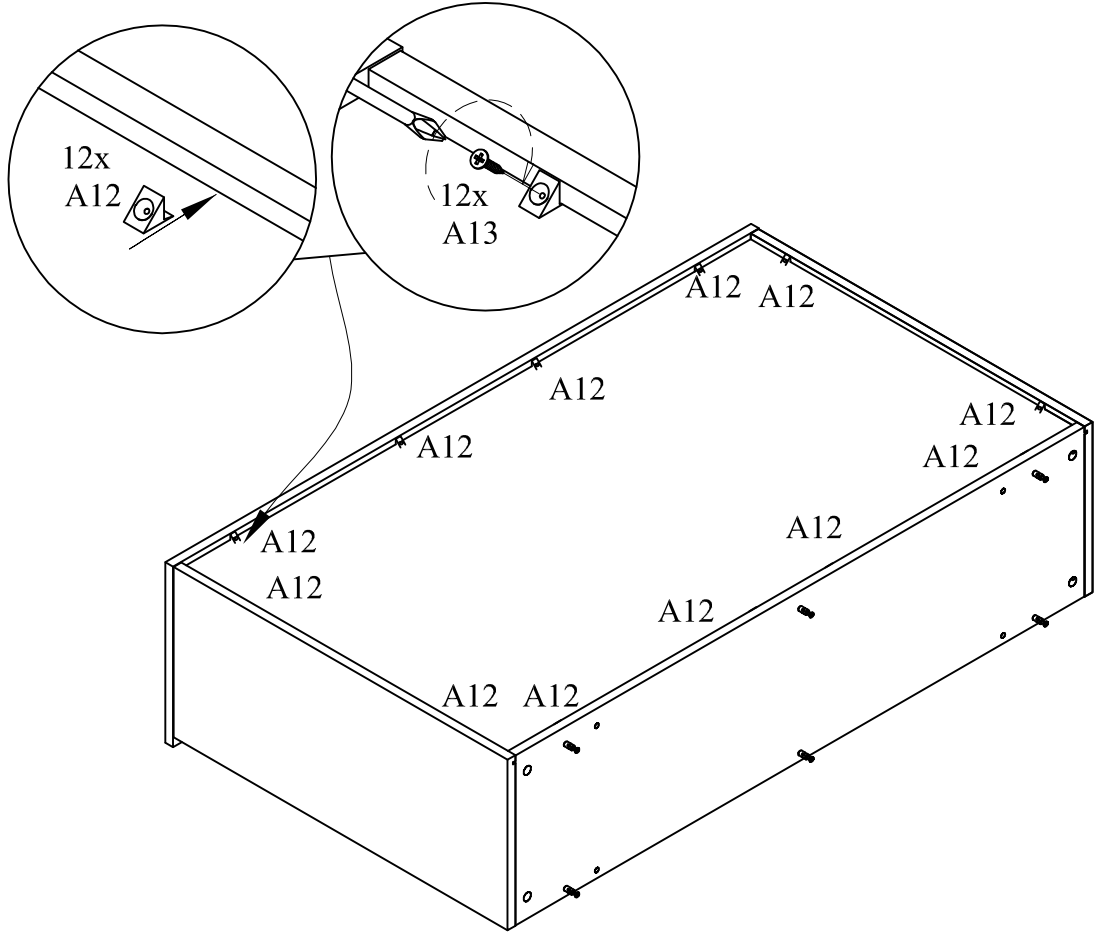
step 2



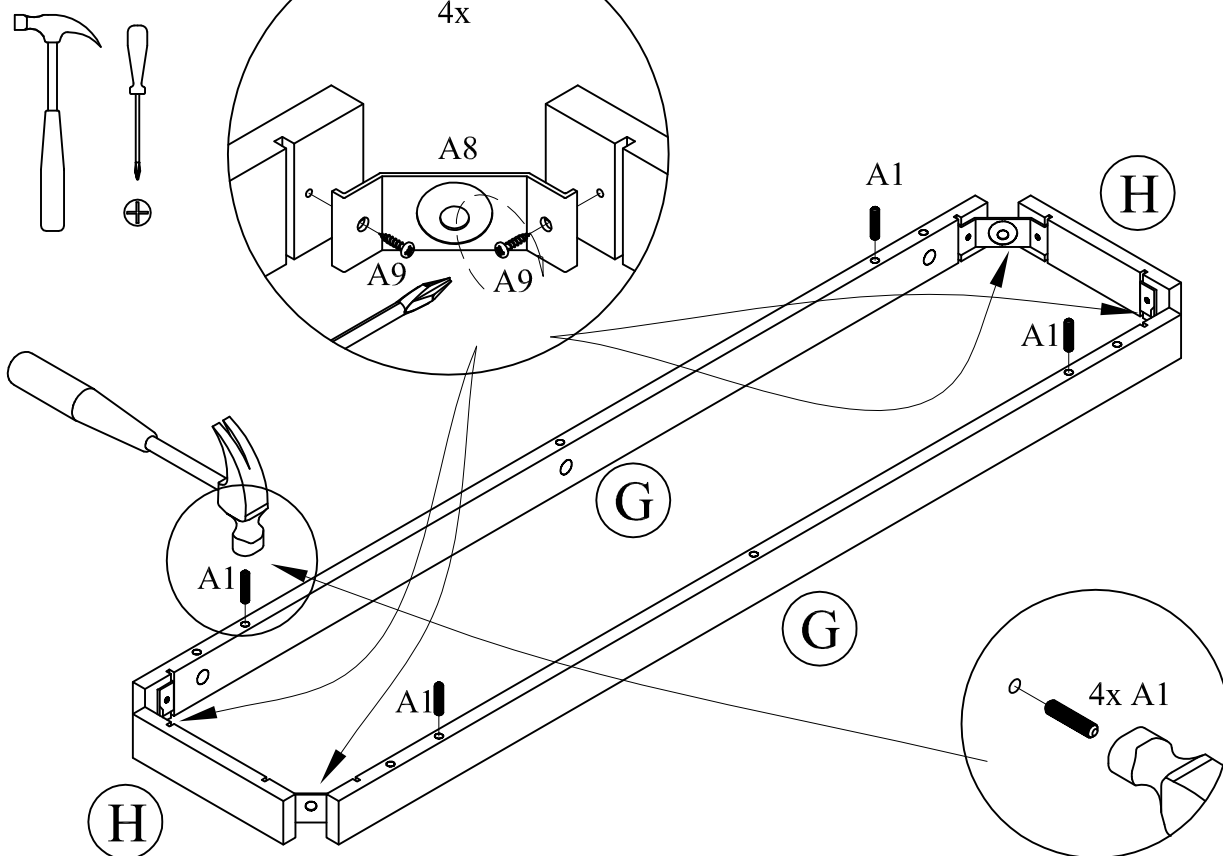
step 5



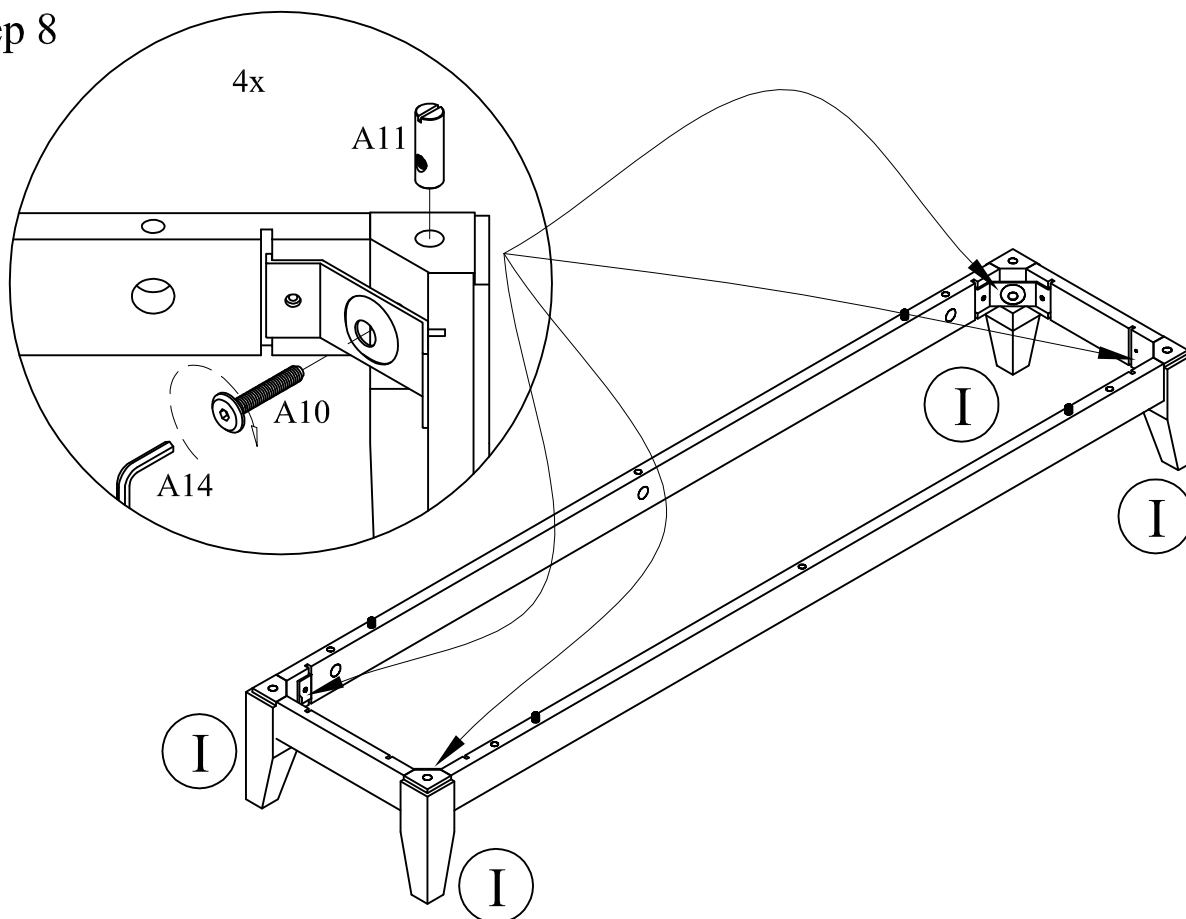
step 6



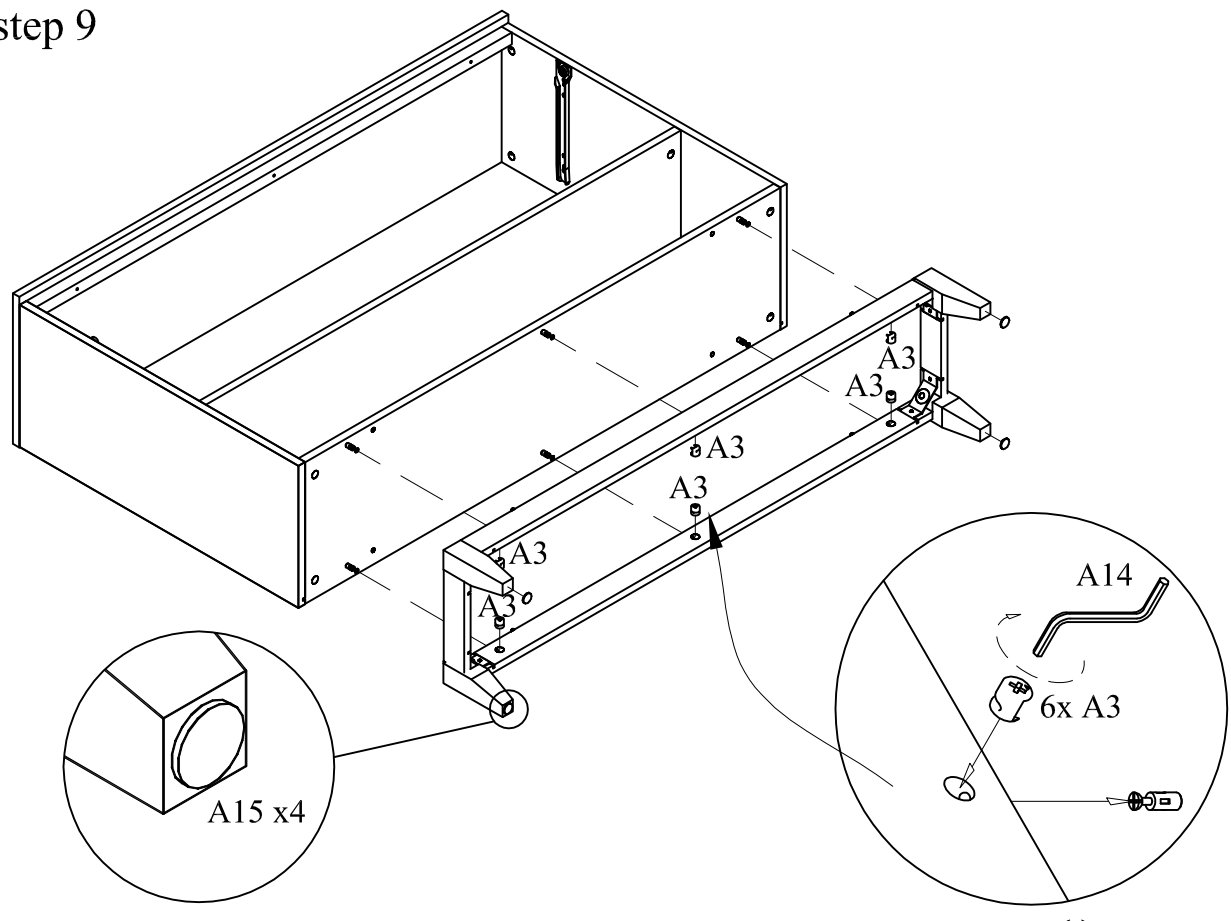
step 7



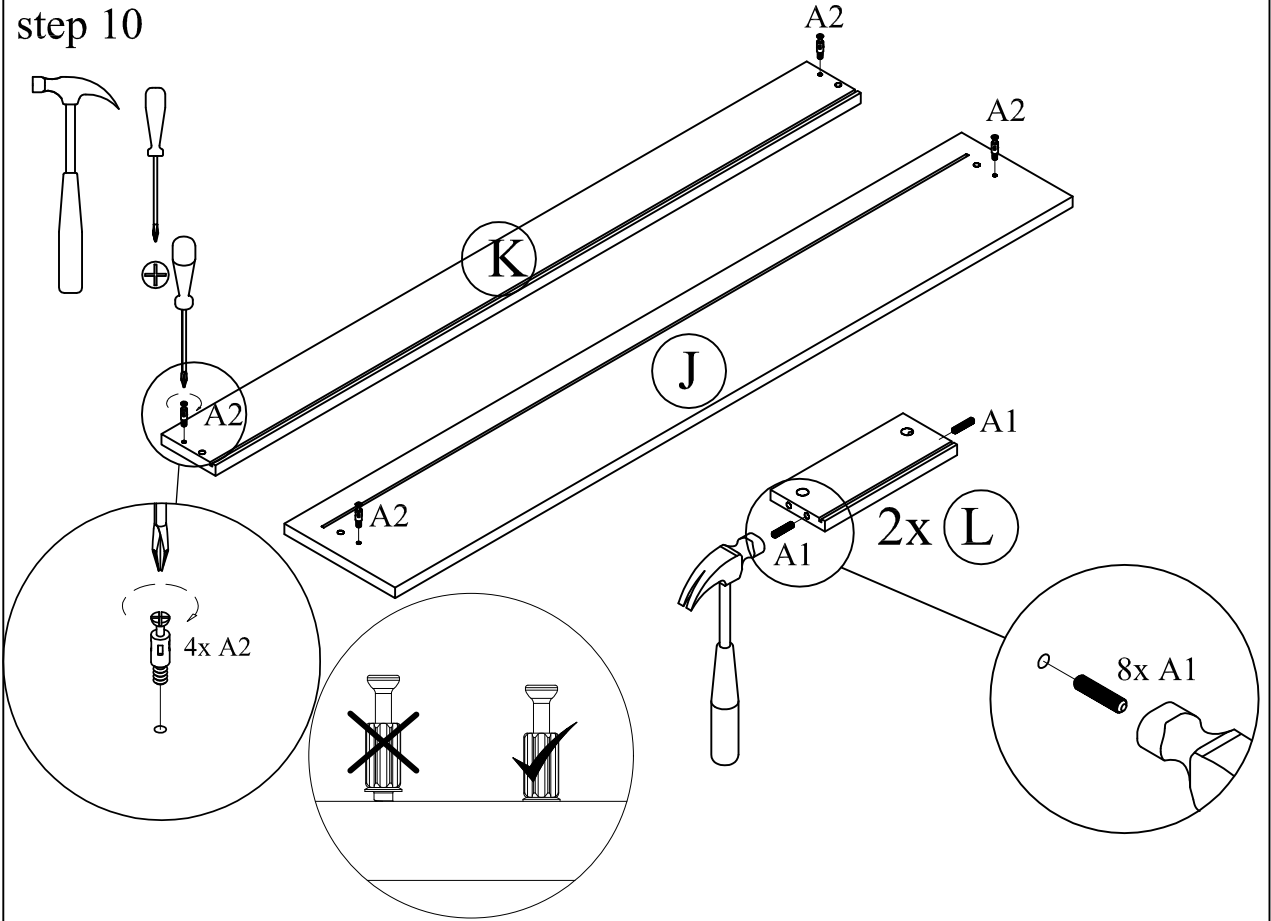
step 8



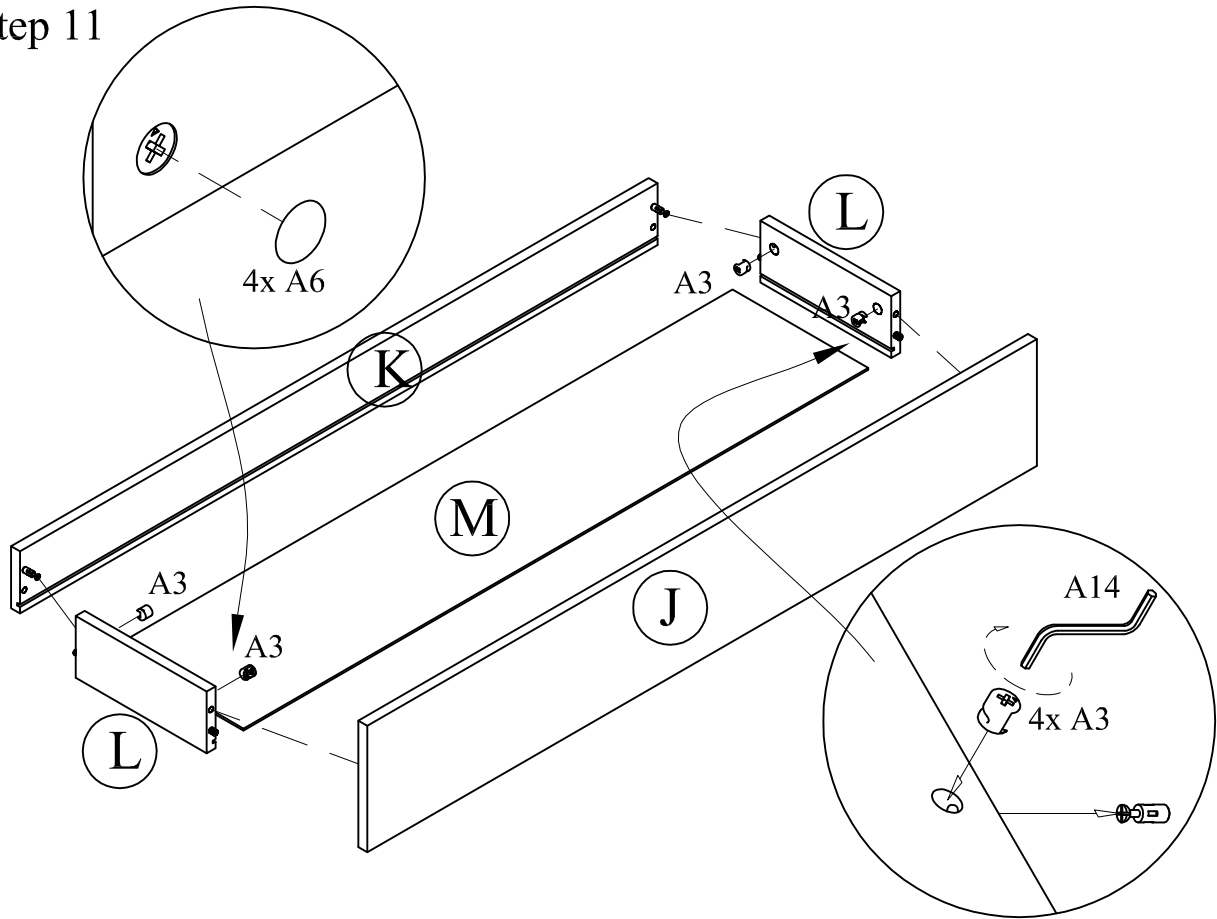
step 9



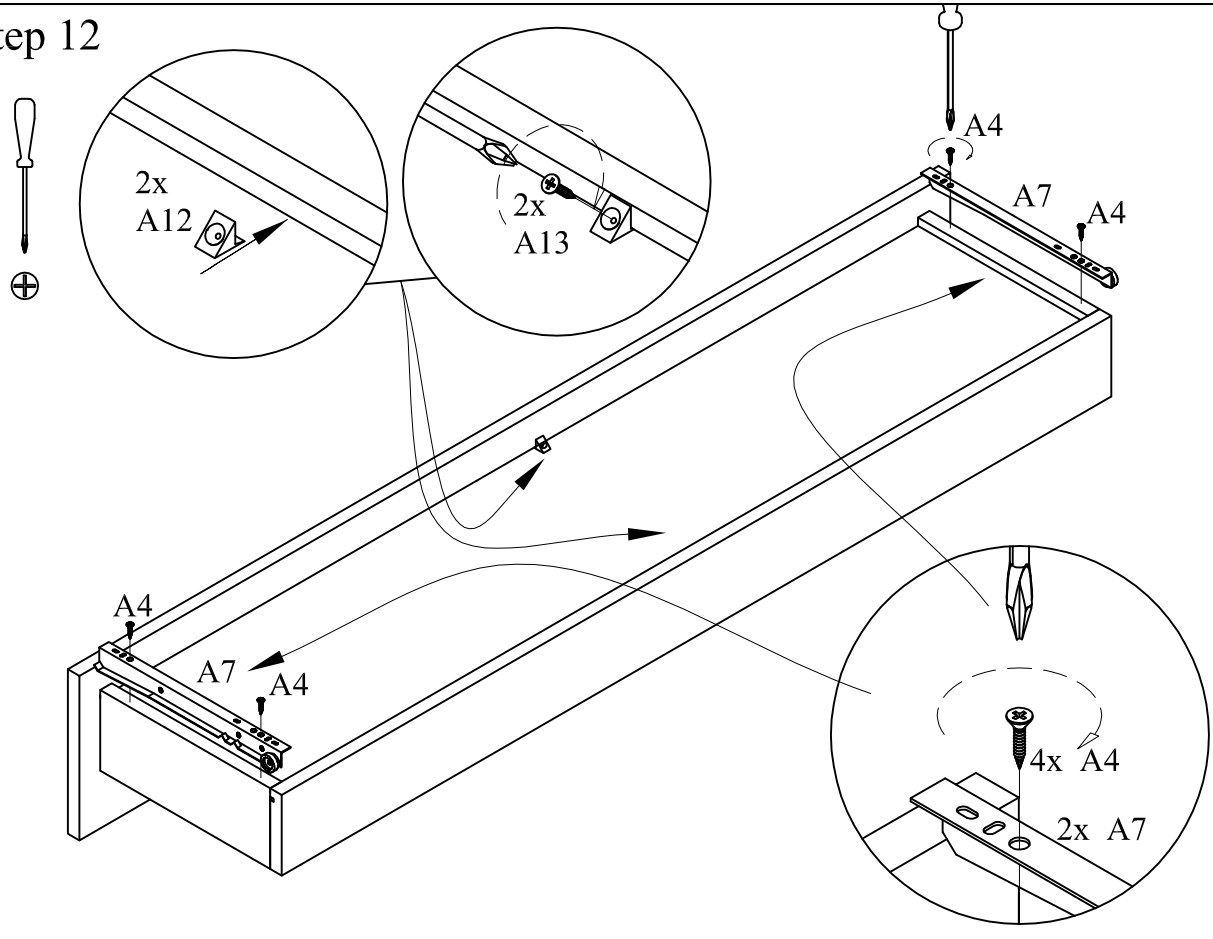
step 10



step 11



step 12



step 13

