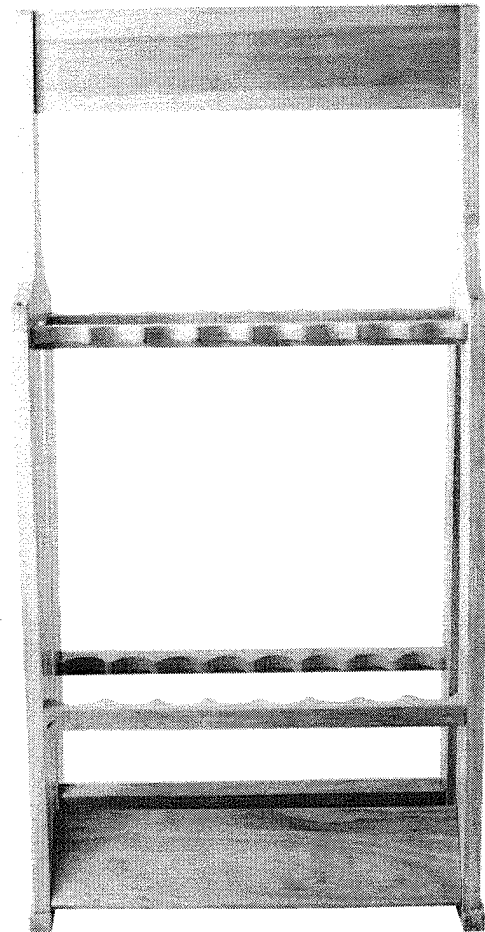
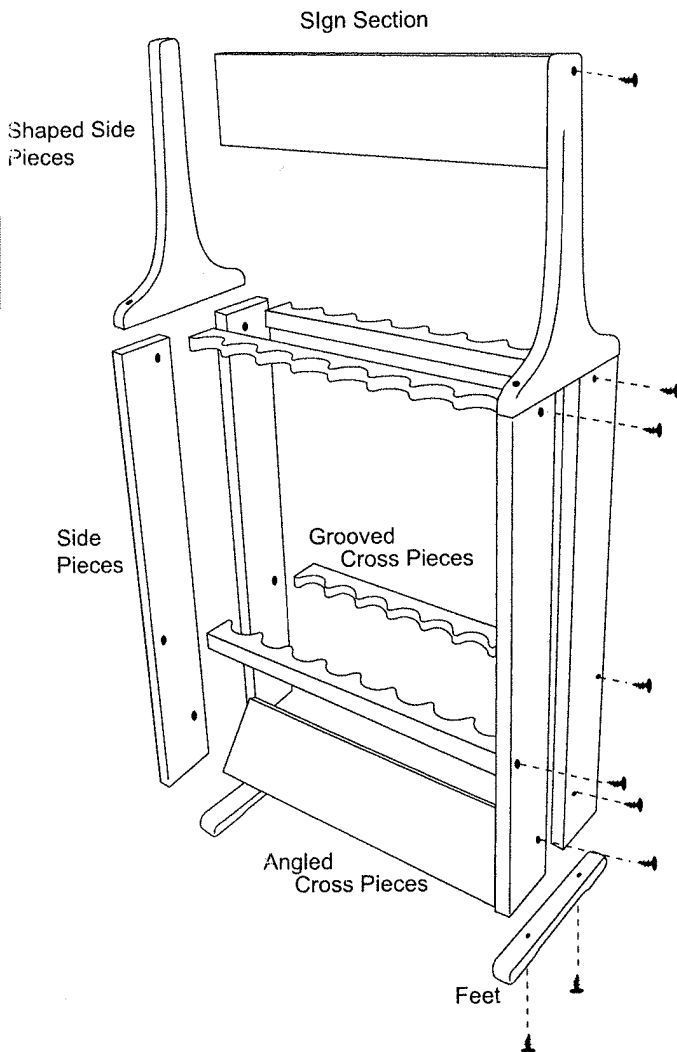




WOODEN ROD STAND

ASSEMBLY INSTRUCTIONS



1. Line up the cross section pieces with the side pieces. There are pre drilled holes and dowels to guide you. Carefully screw together making sure not to split the wood.
2. Attach the shaped side pieces. There are two screw holes pre drilled in each piece.
3. Attach the feet pieces to the side pieces. There are two drill holes pre drilled in each of the feet.
4. Attach the sign section to the shaped side sections.
5. Place your rods in the stand.

CONTENTS

- 1 Bag of screws
- 2 feet
- 1 Sign Section
- 2 Shaped Side Pieces
- 4 Side Pieces
- 4 Grooved Cross Pieces
- 2 Angled Cross Pieces