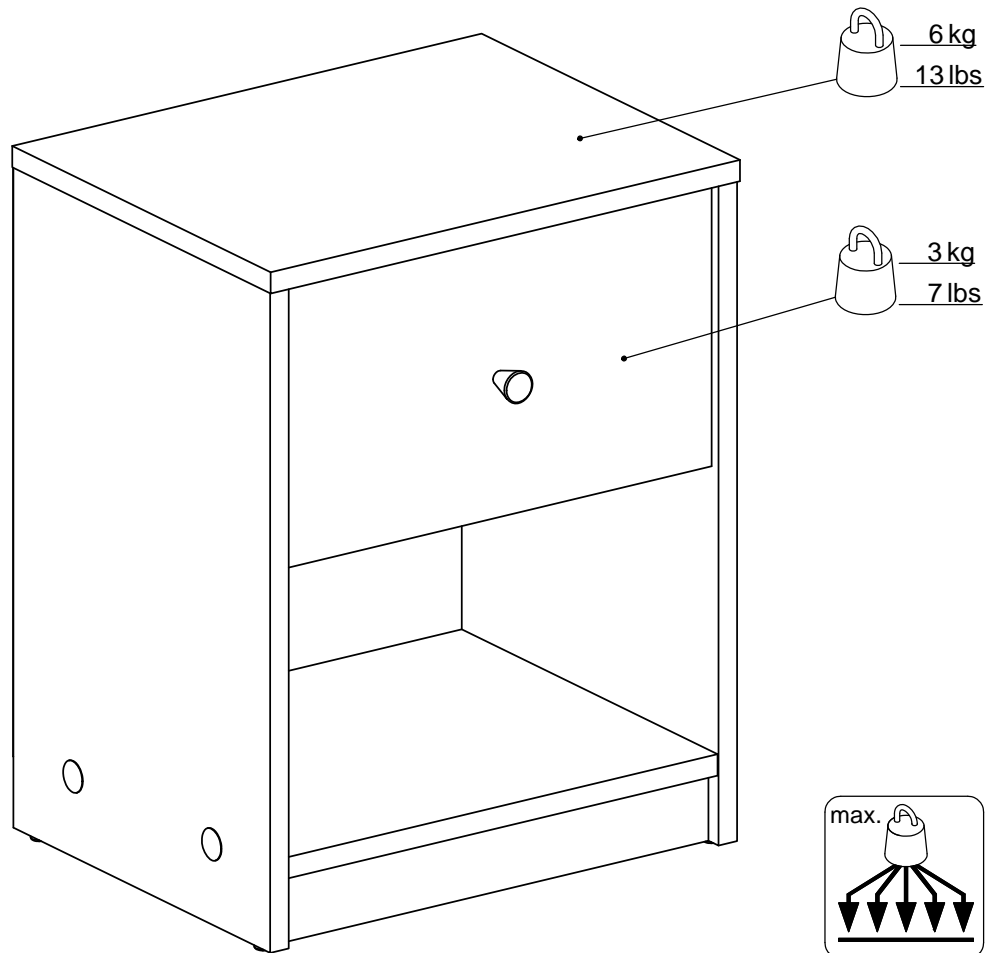
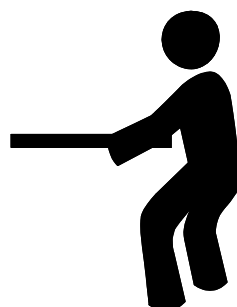


tvilum

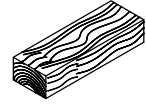
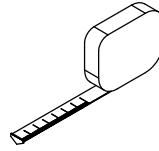
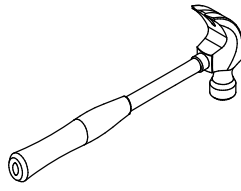
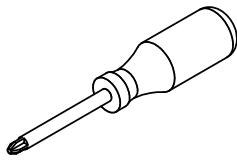
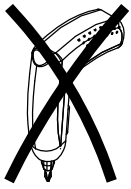


70331 A

www.tvilum.com



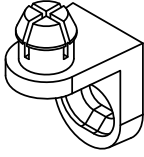
70331-50



10901
x4



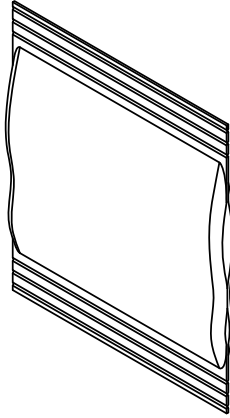
11023
x1



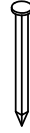
20209
x10



22601
x1



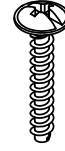
23006
x25



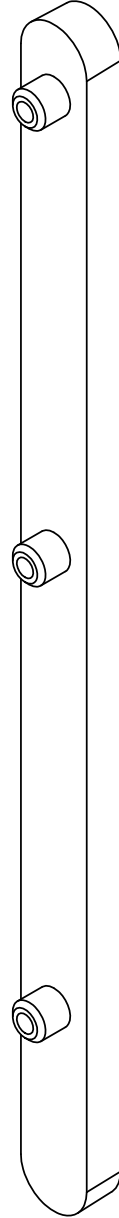
25233
x1



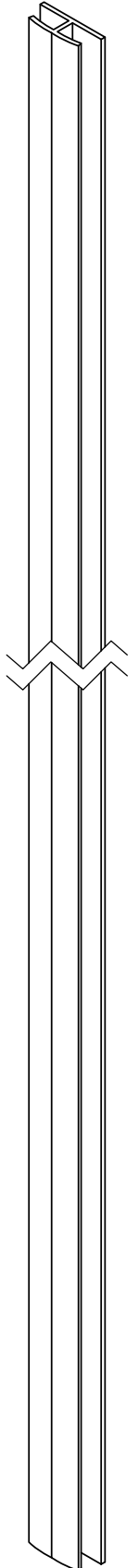
25506
x1



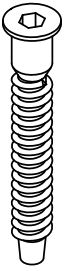
42615
x2



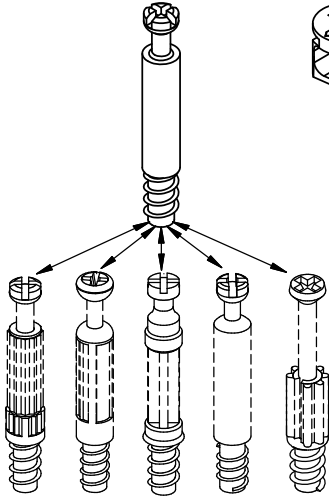
74407
x1



25610
x4



31513
x4



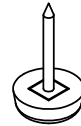
31624
x2



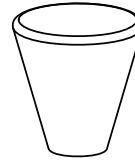
31643
x2



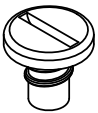
63001
x4



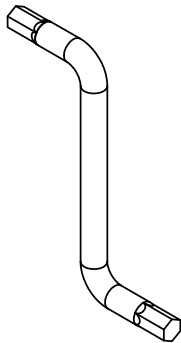
81018
x1

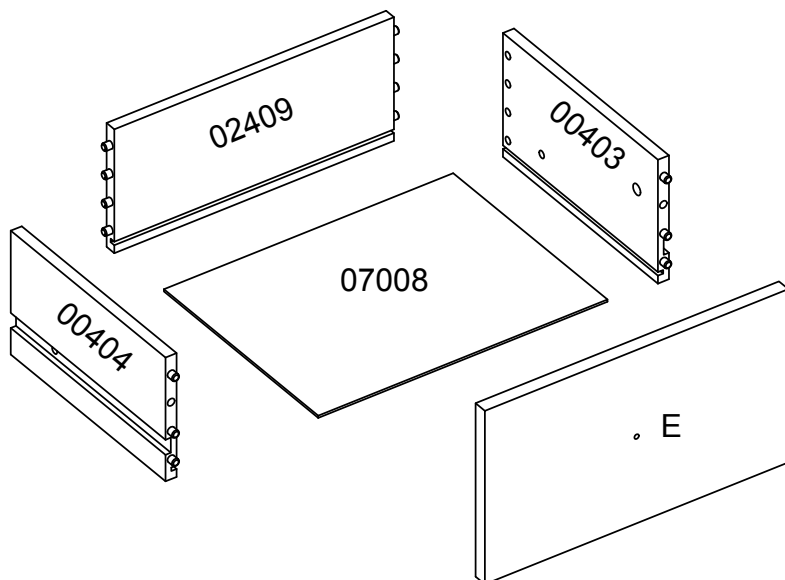
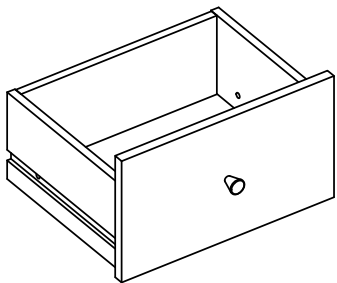
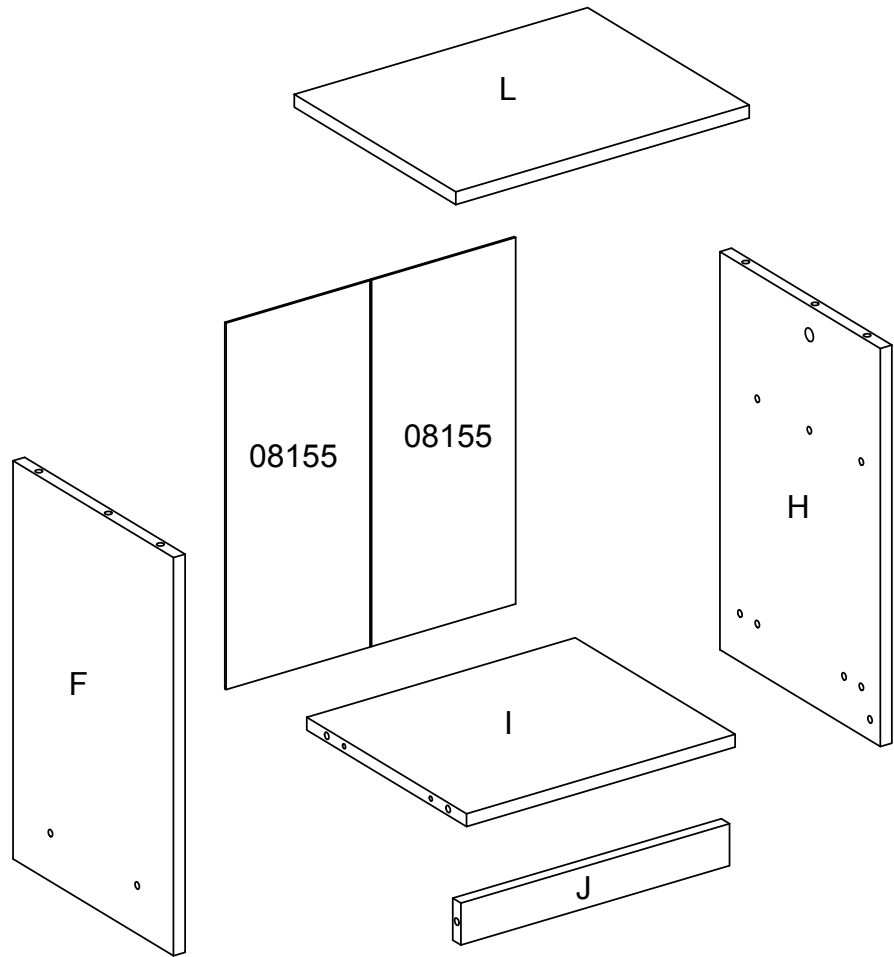
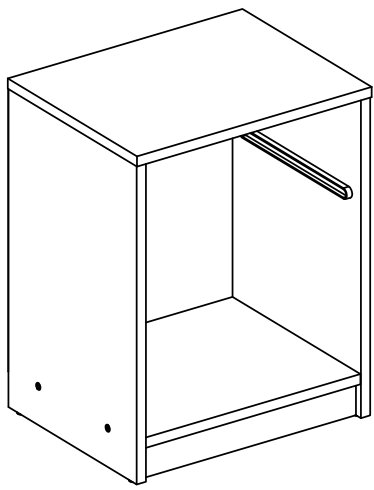


97201
x2

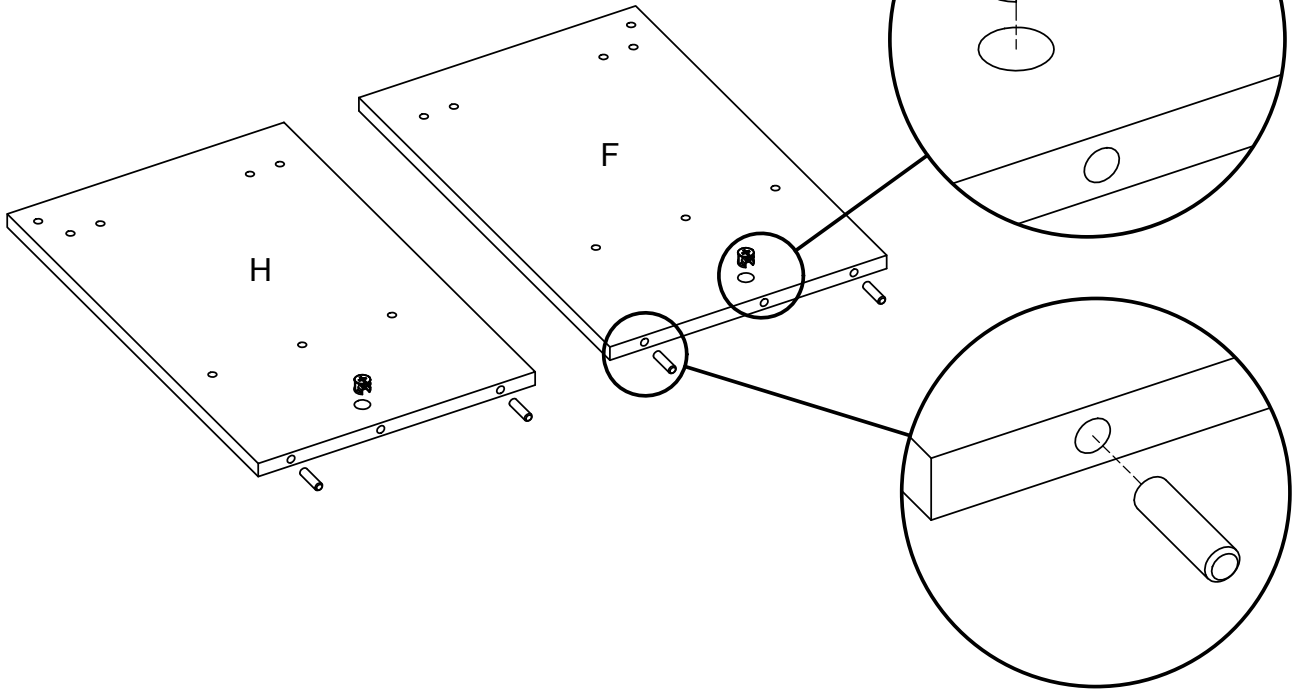
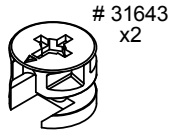
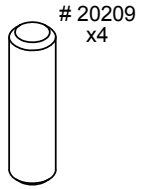


97642
x1

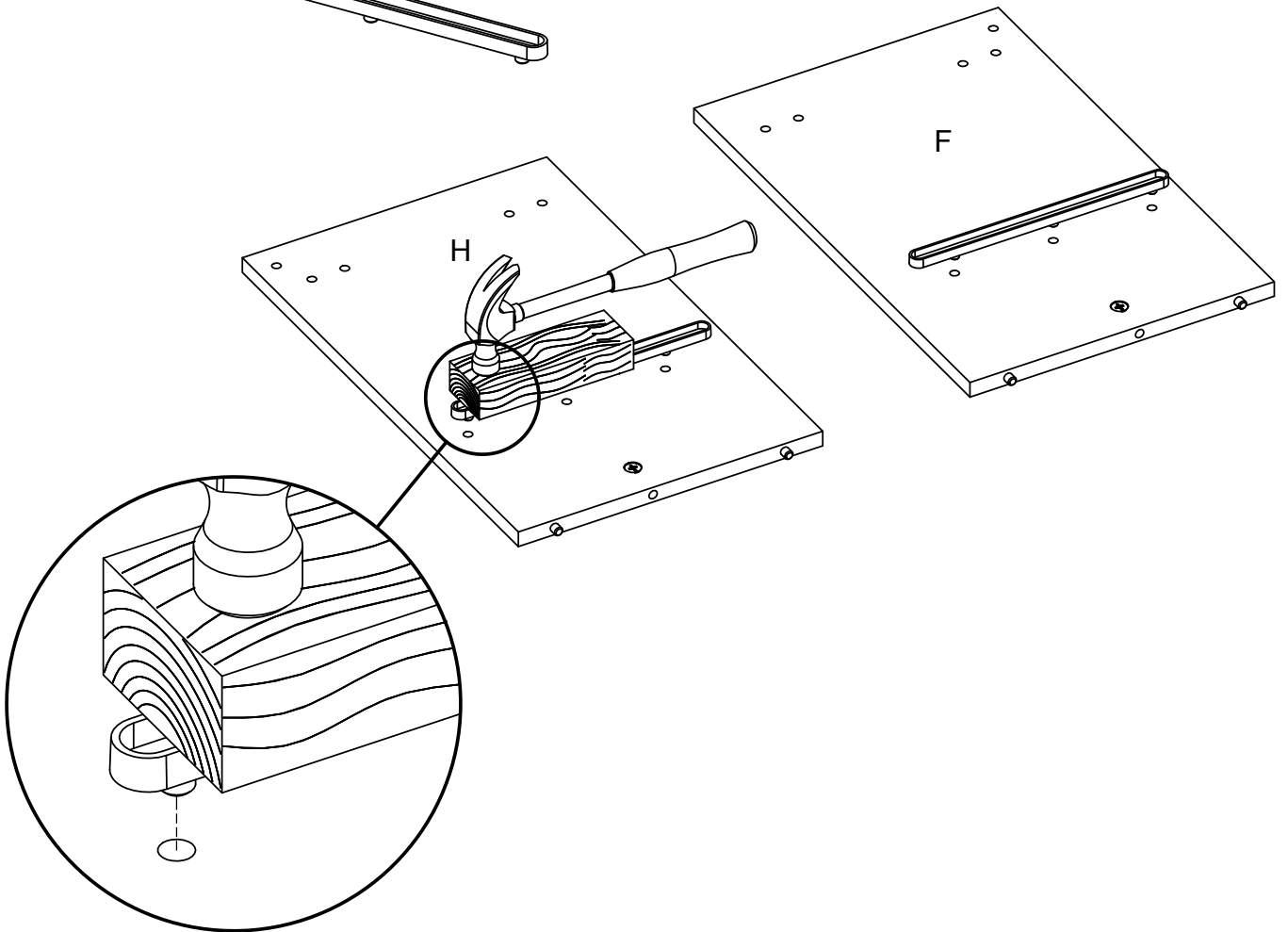
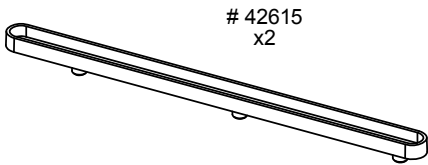




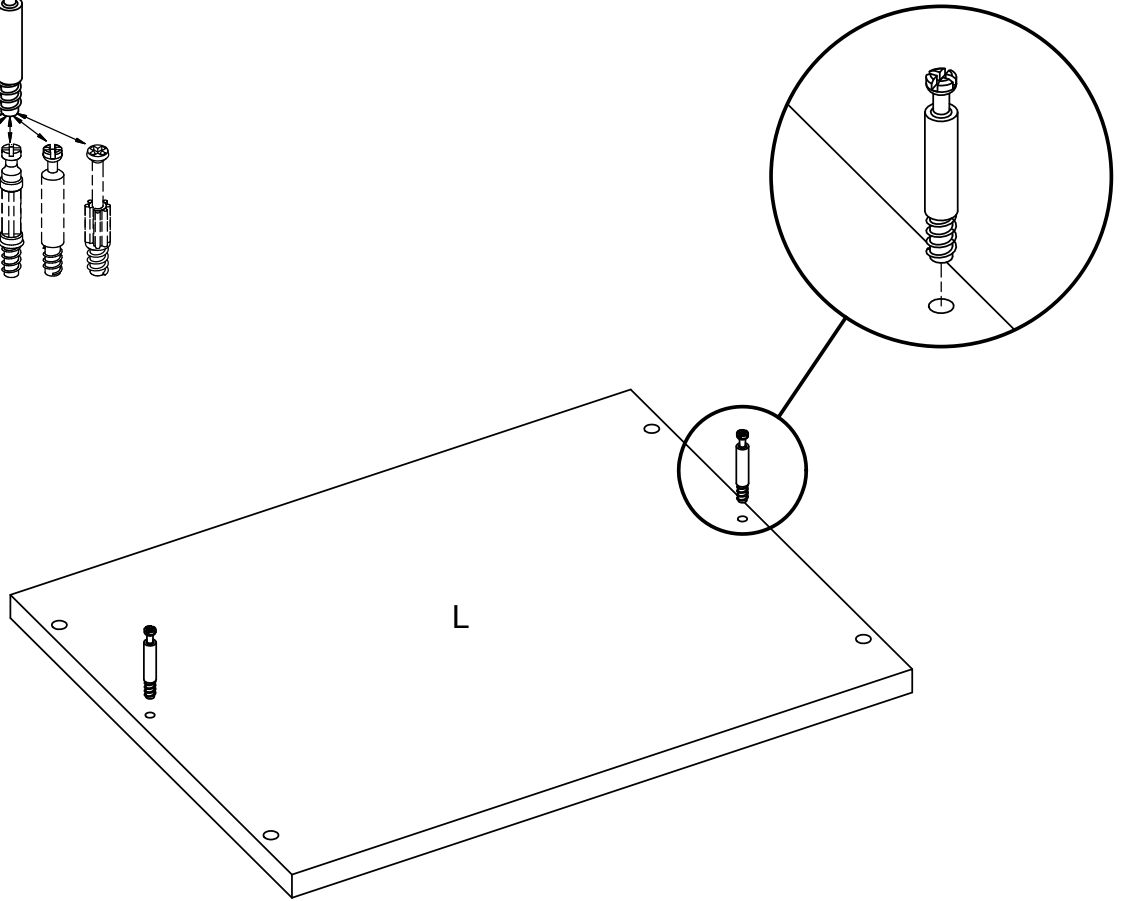
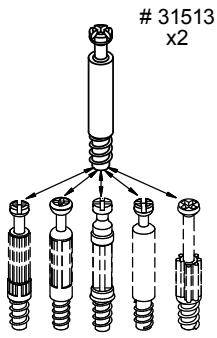
1



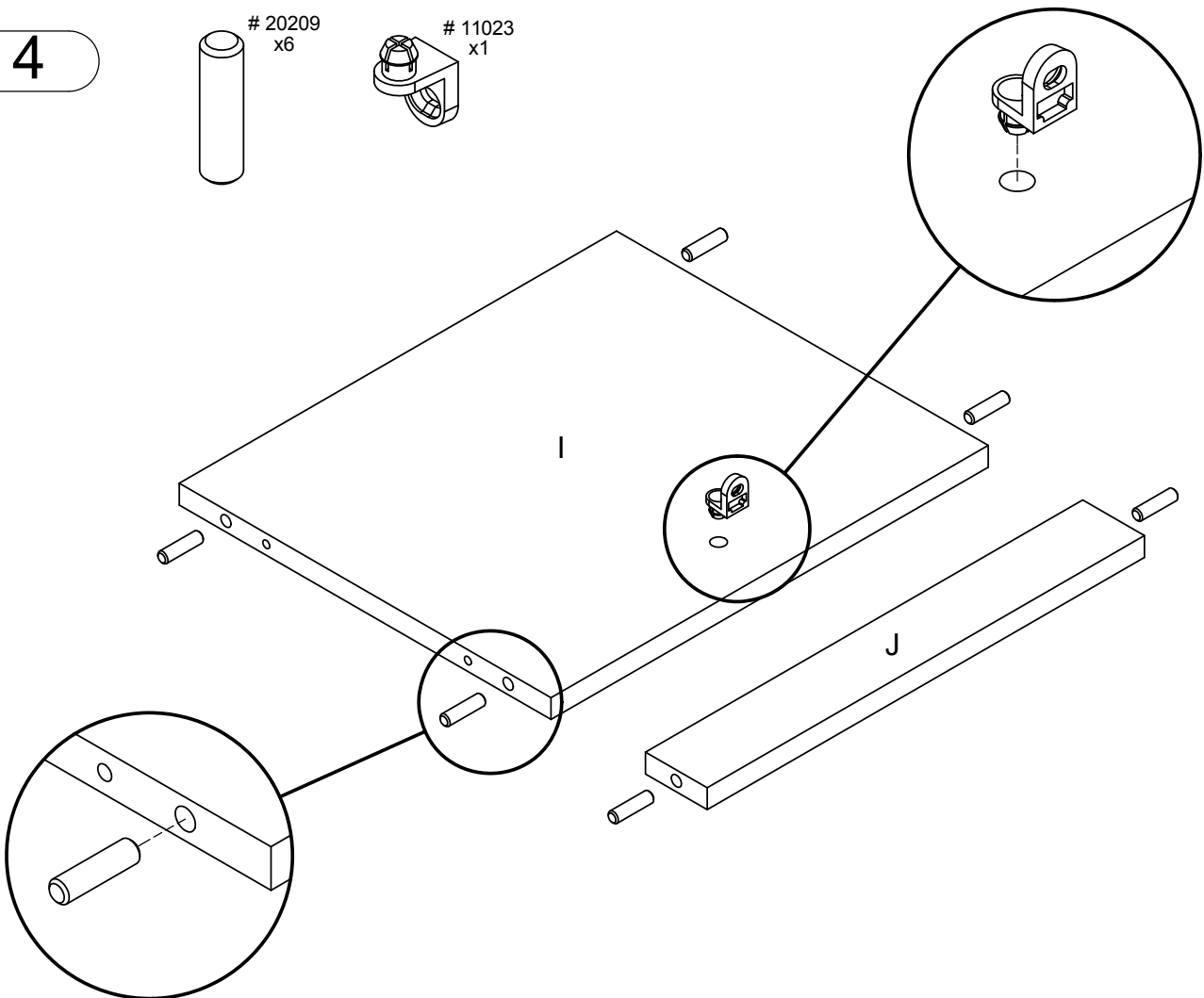
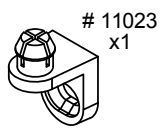
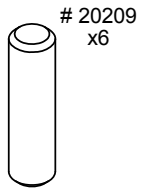
2



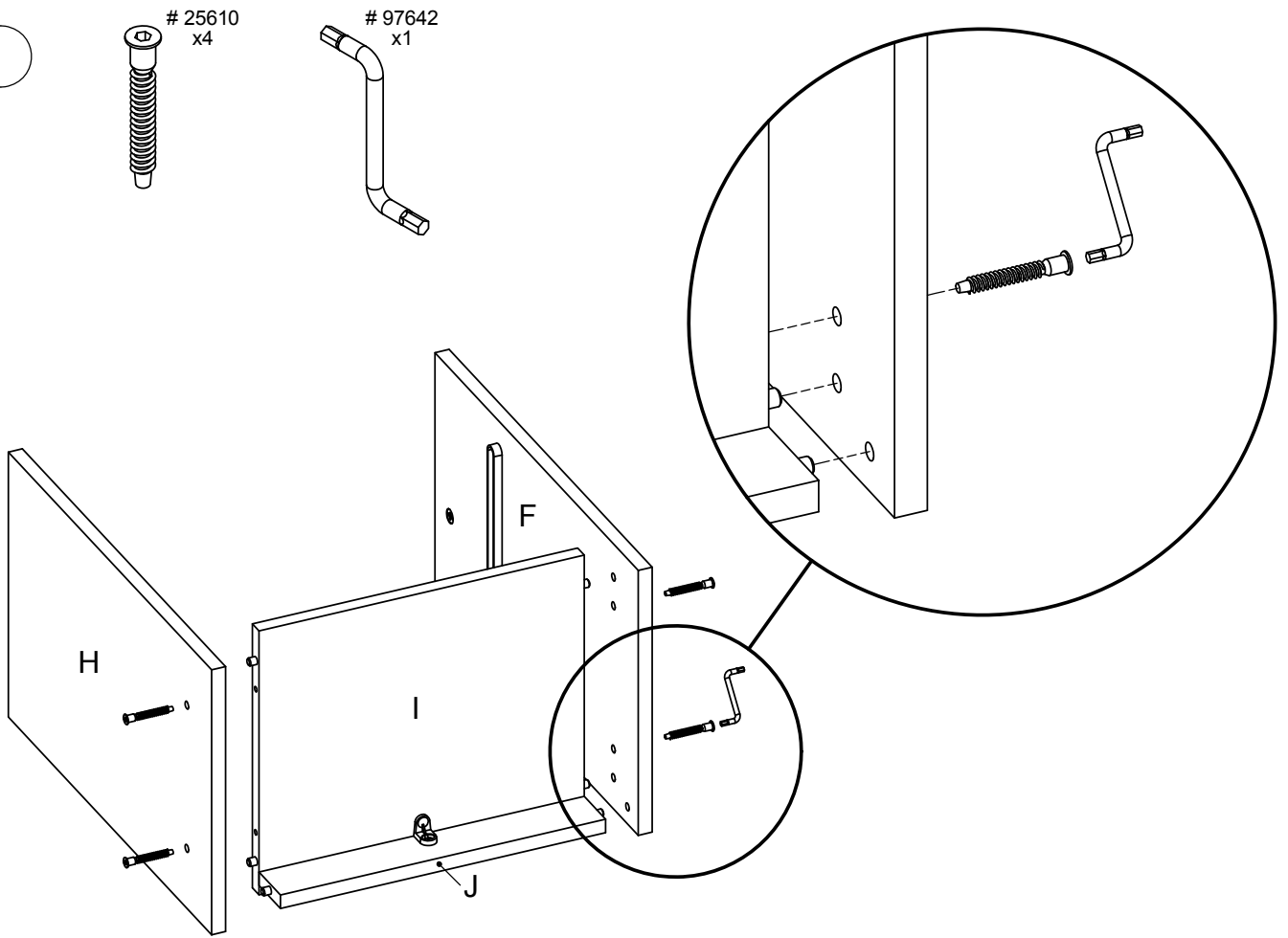
3



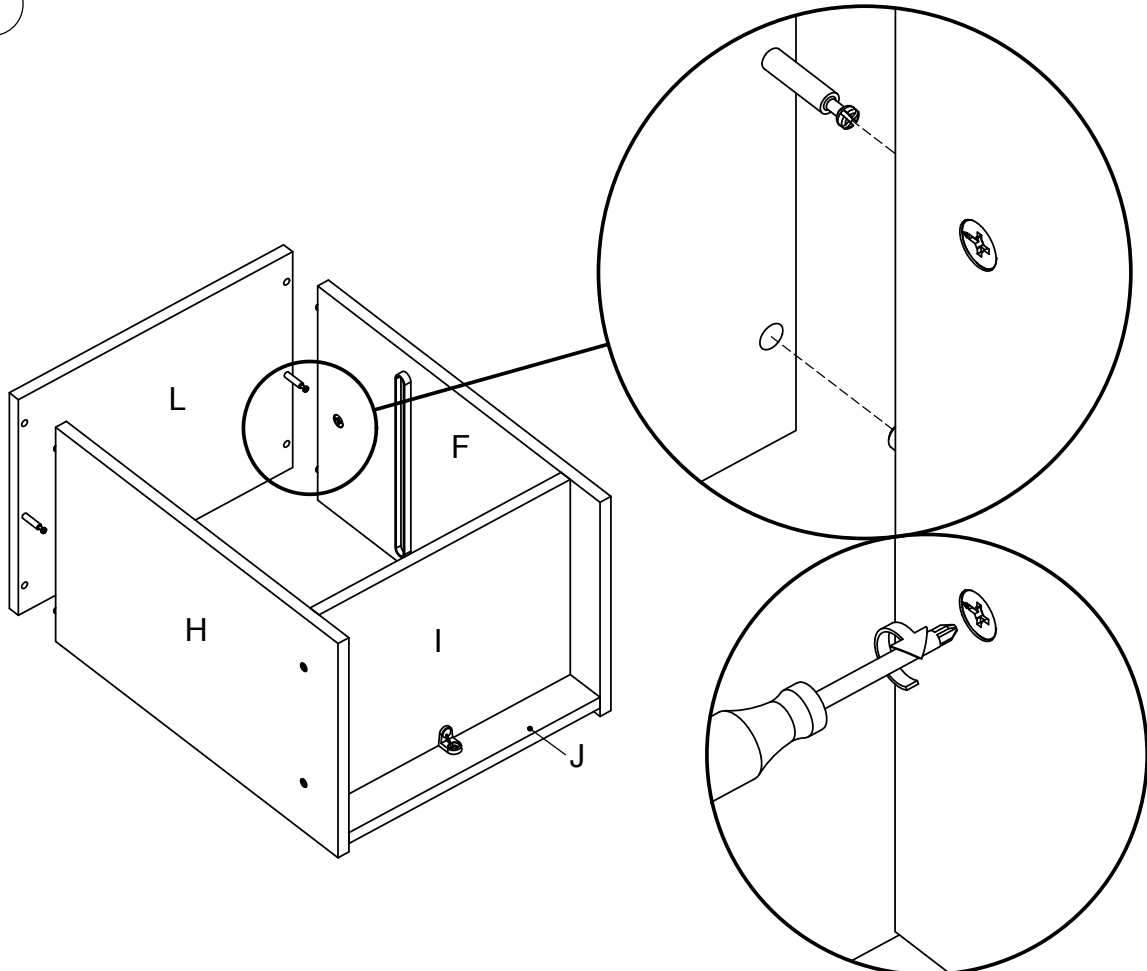
4



5

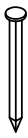


6

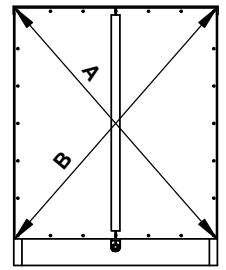
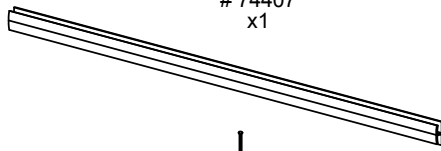


7

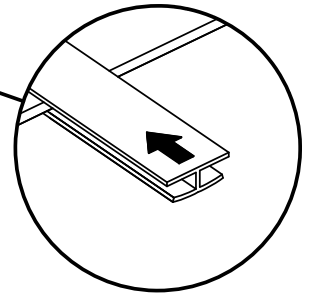
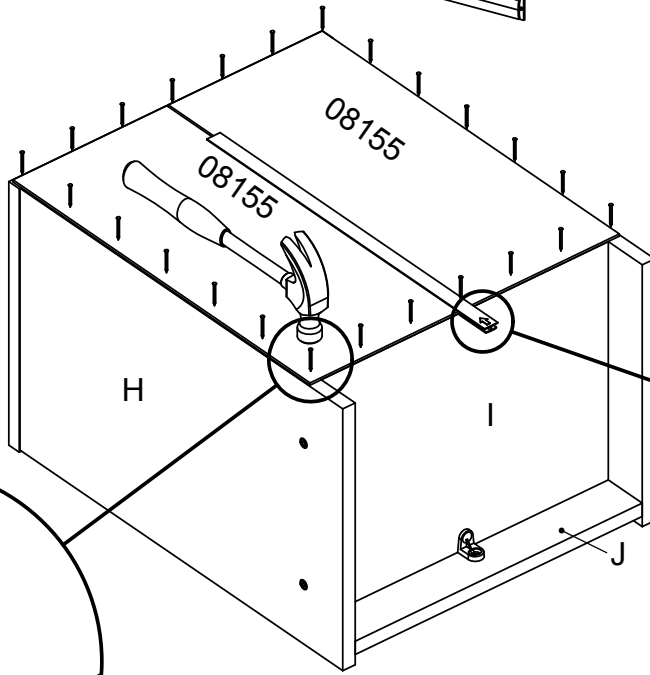
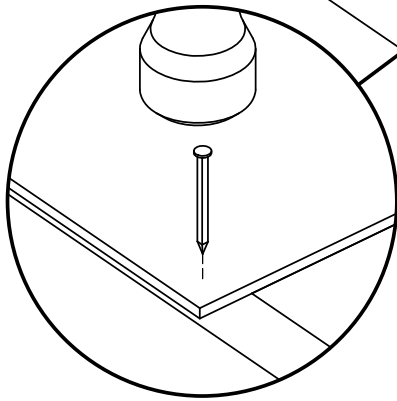
23006
x25



74407
x1

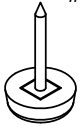


A = B

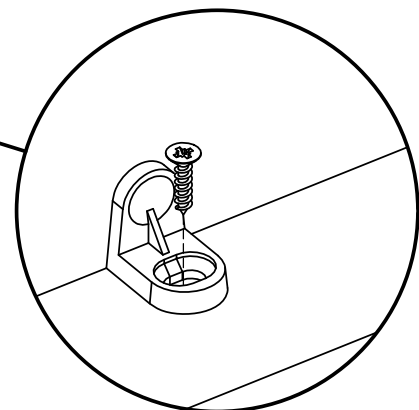
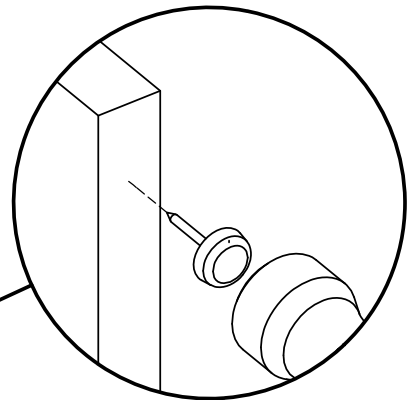
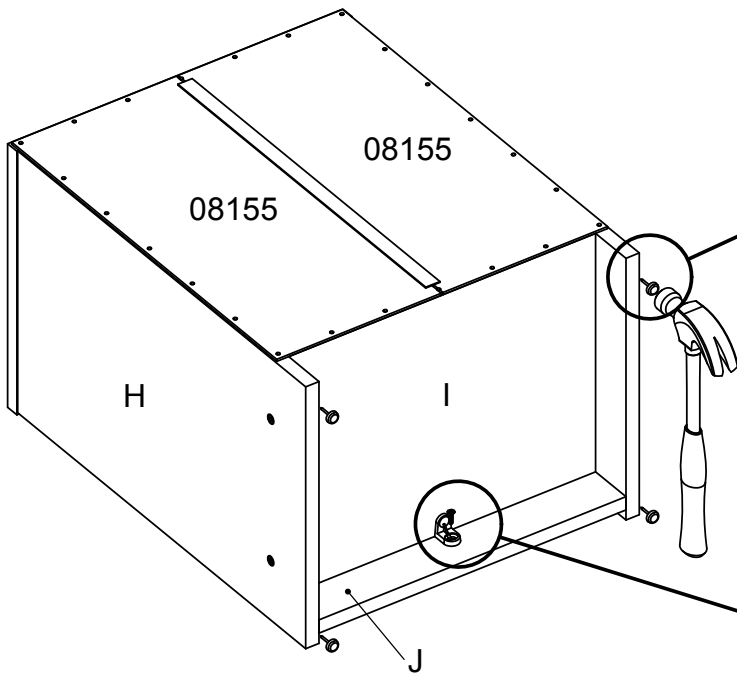


8

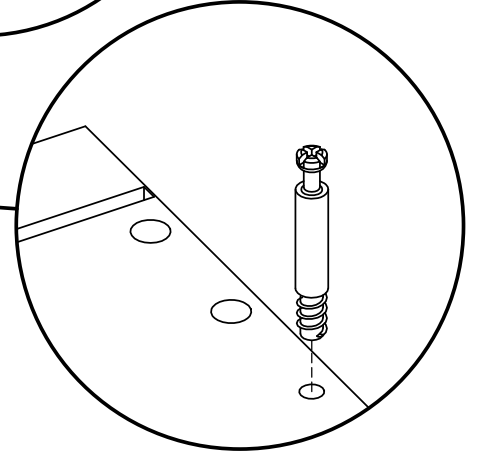
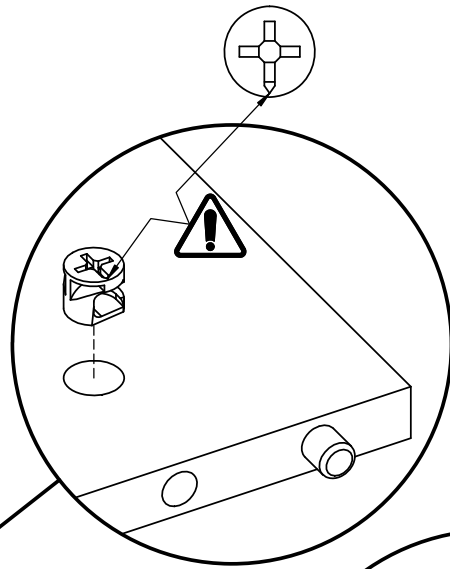
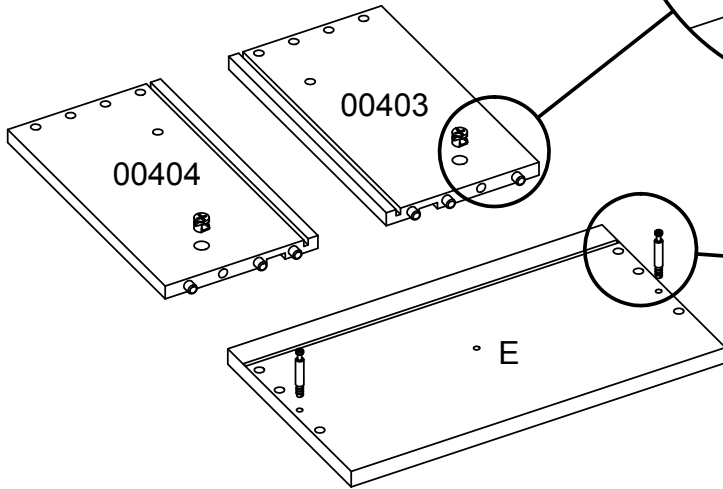
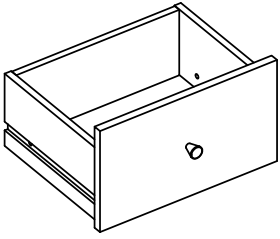
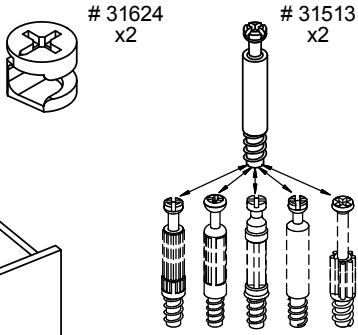
63001
x4



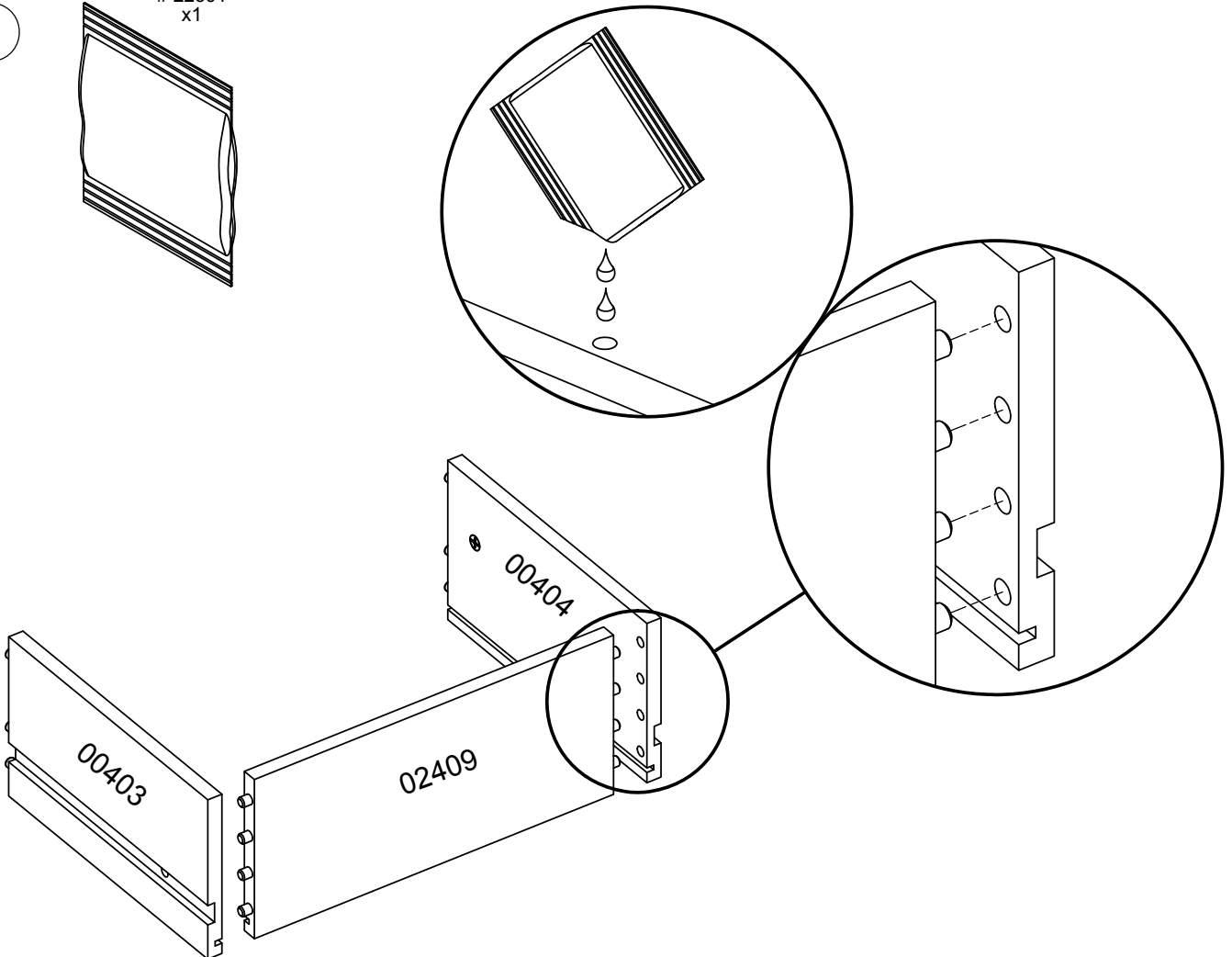
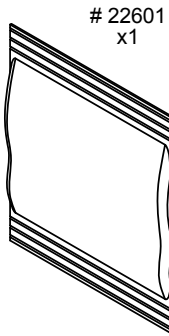
25233
x1



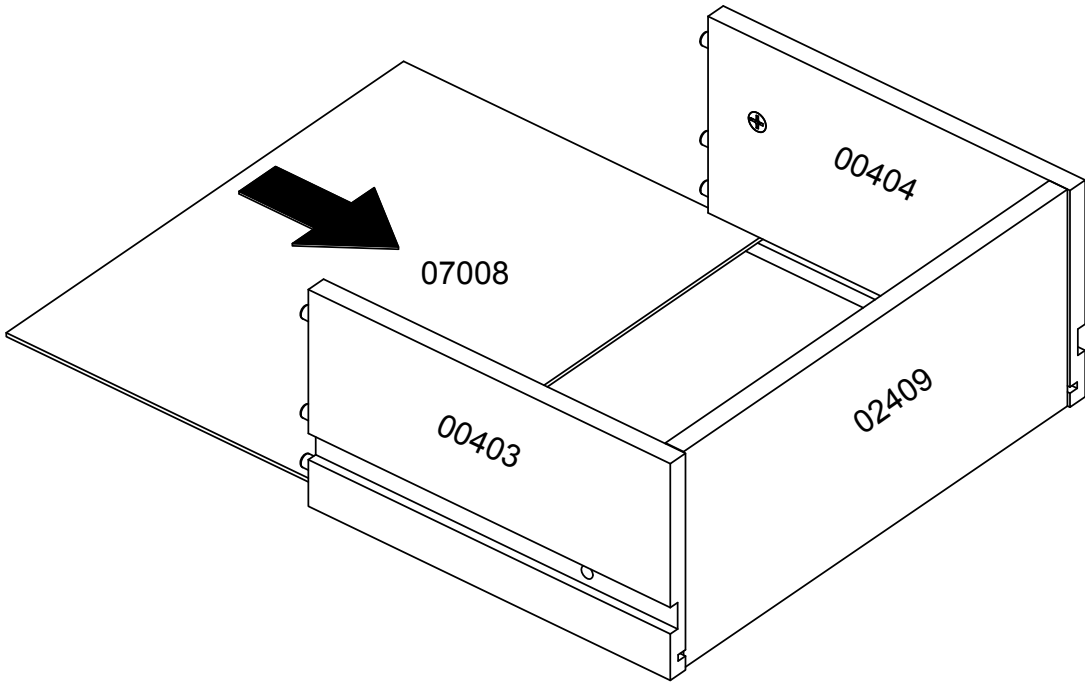
9



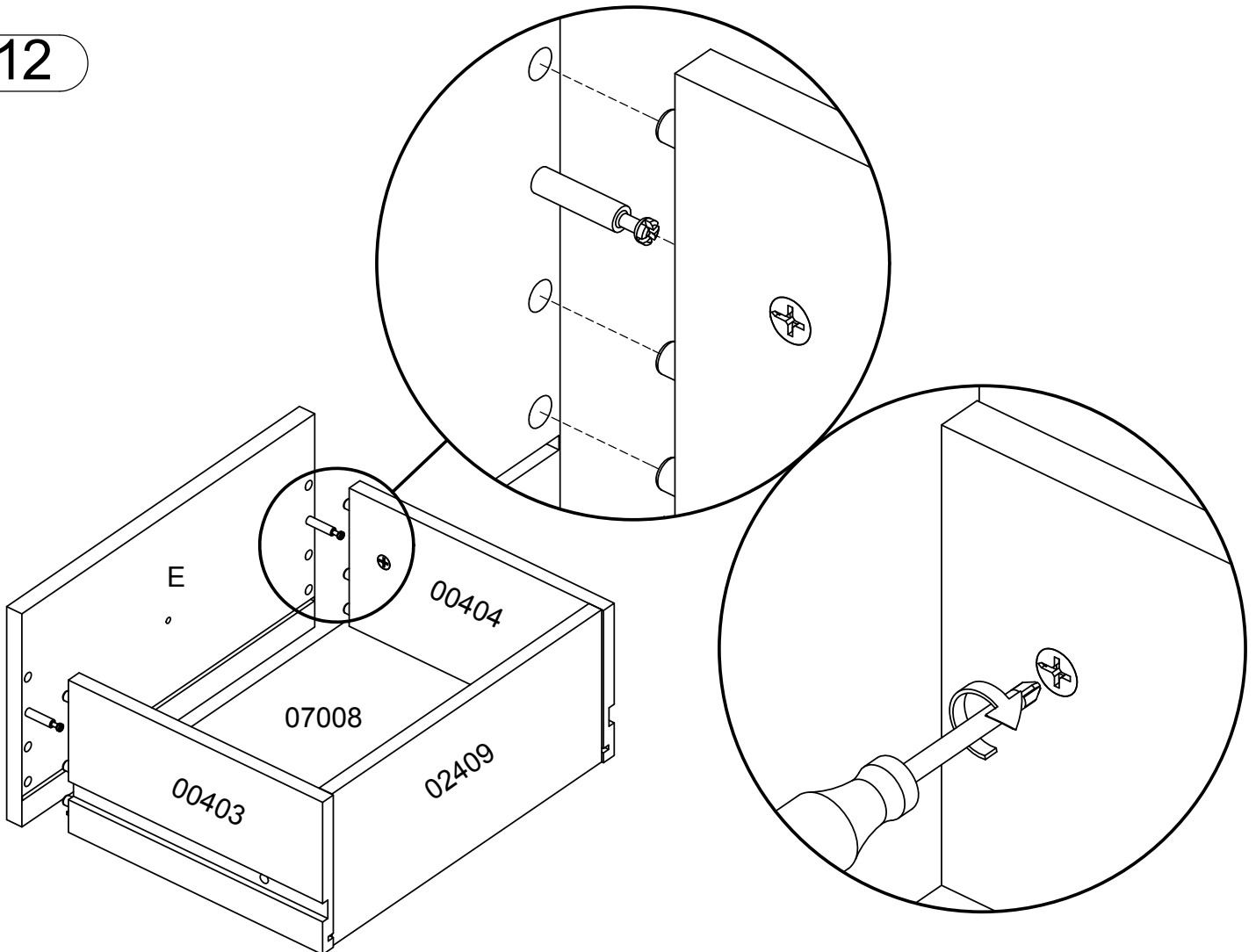
10



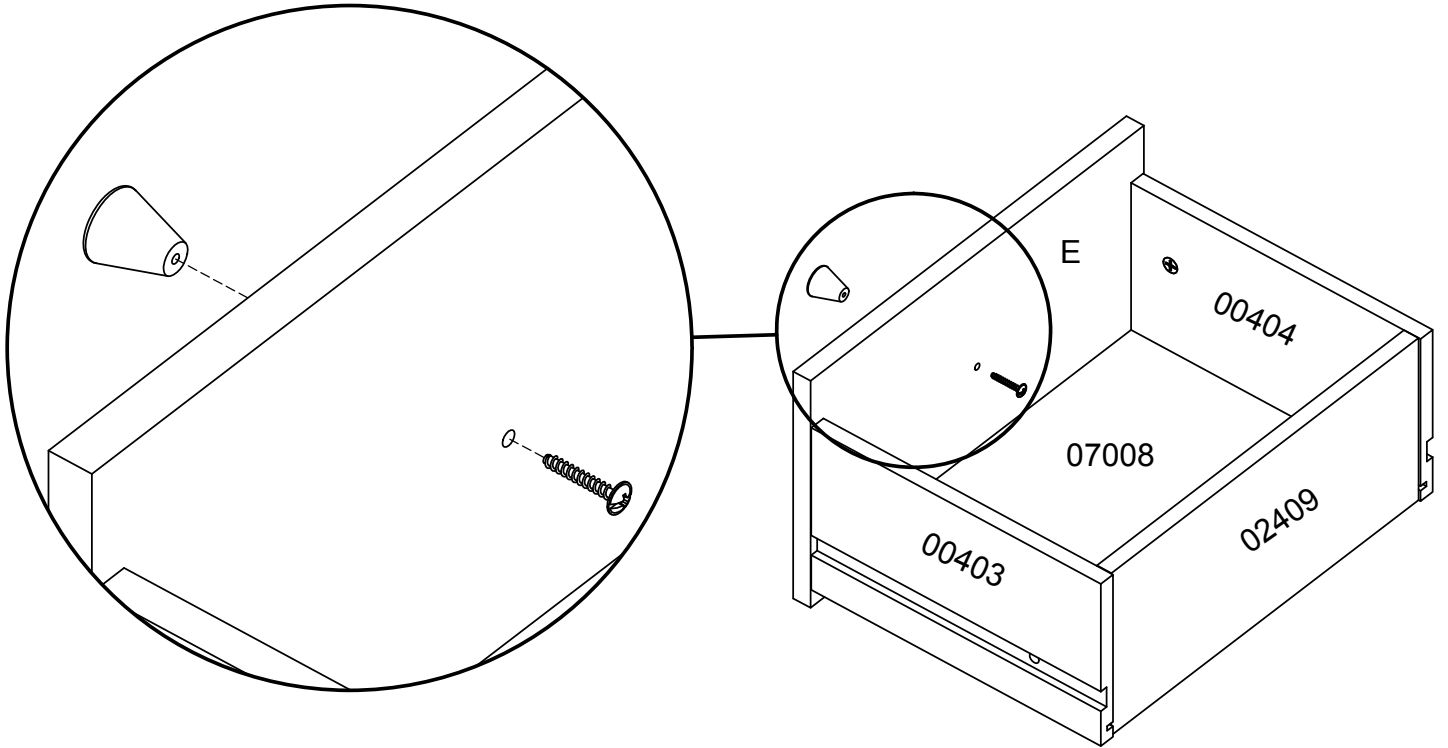
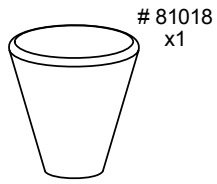
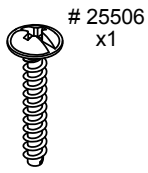
11



12



13



14

