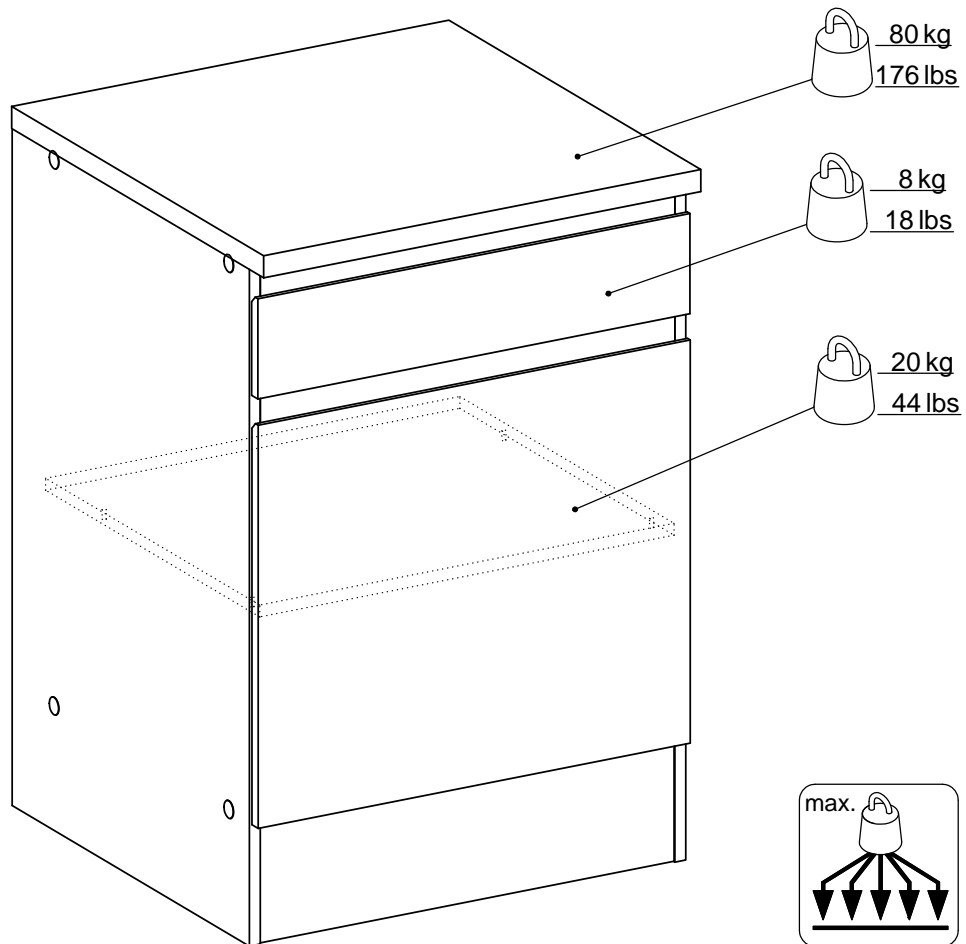


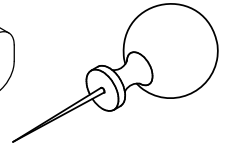
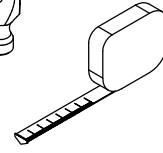
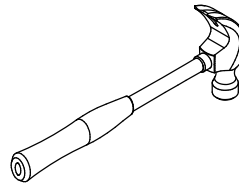
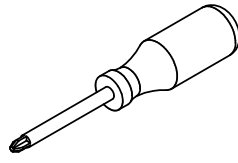
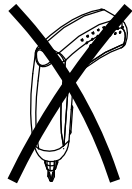
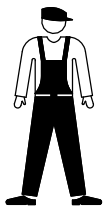
tvilum



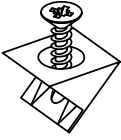
83405 B

www.tvilum.com

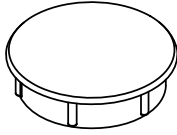




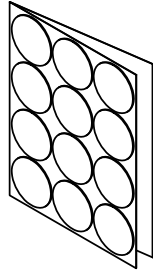
10401
x4



10873
x2



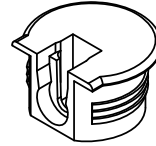
10901
x1



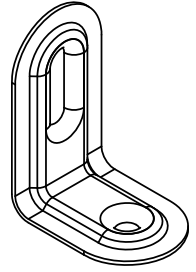
11042
x4



11206
x4



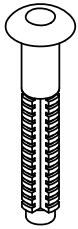
13418
x2



20203
x18



20228
x4



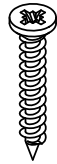
23006
x25



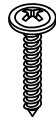
25233
x6



25259
x2



25502
x4



25610
x6



26040
x14



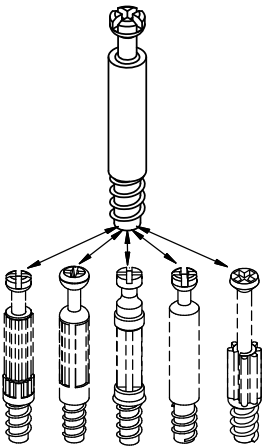
26071
x4



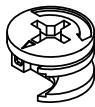
26211
x2



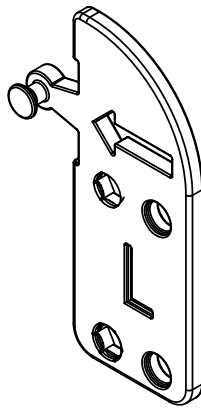
31513
x2



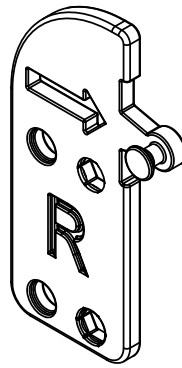
31687
x2



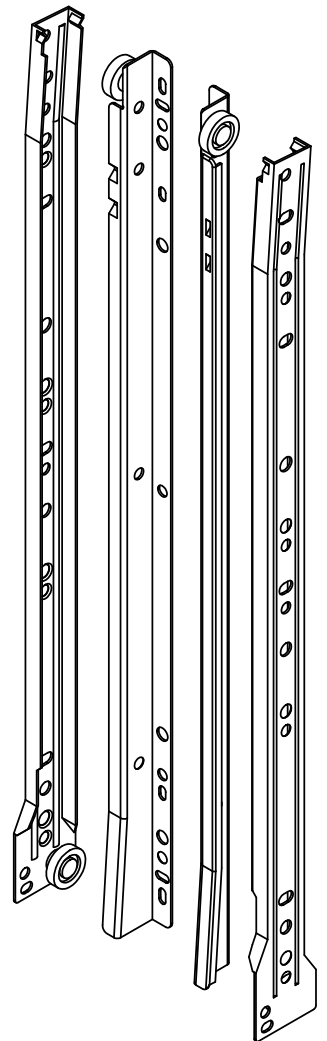
33307
x2



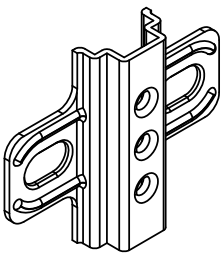
33308
x2



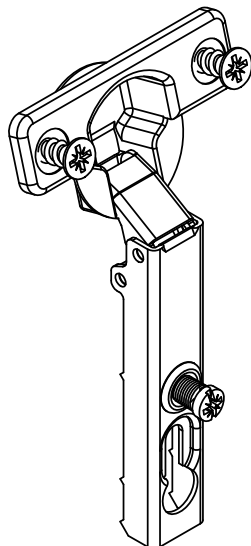
41642
x1



50491
x2



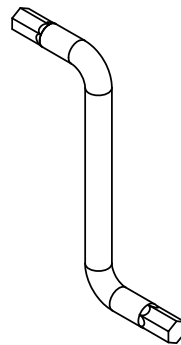
52290
x2

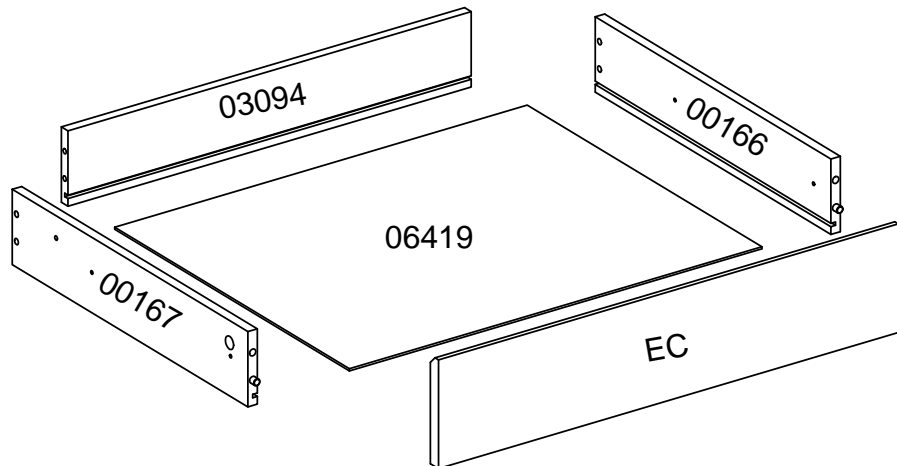
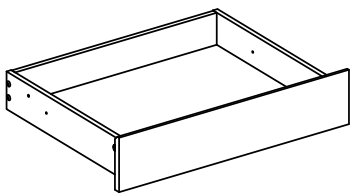
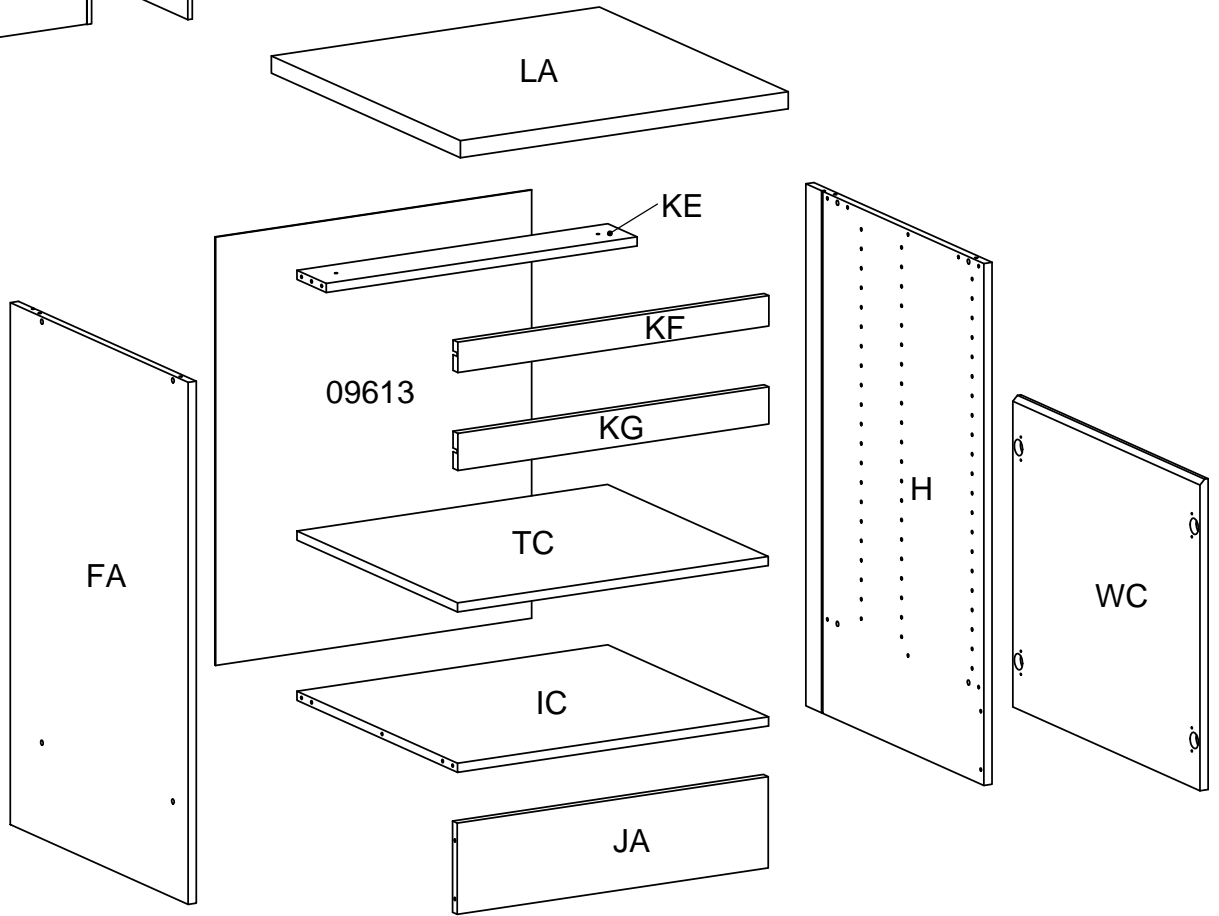
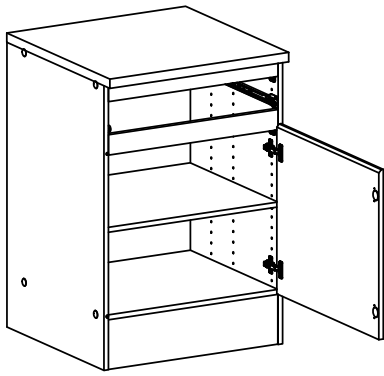


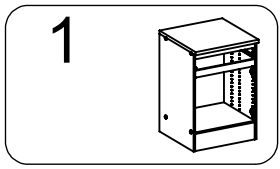
96203
x2



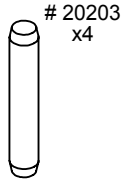
97642
x1







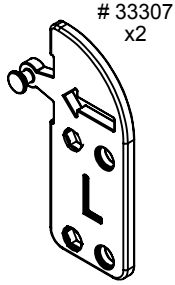
1



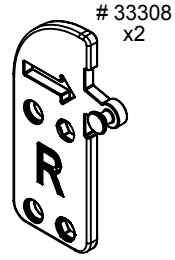
20203
x4



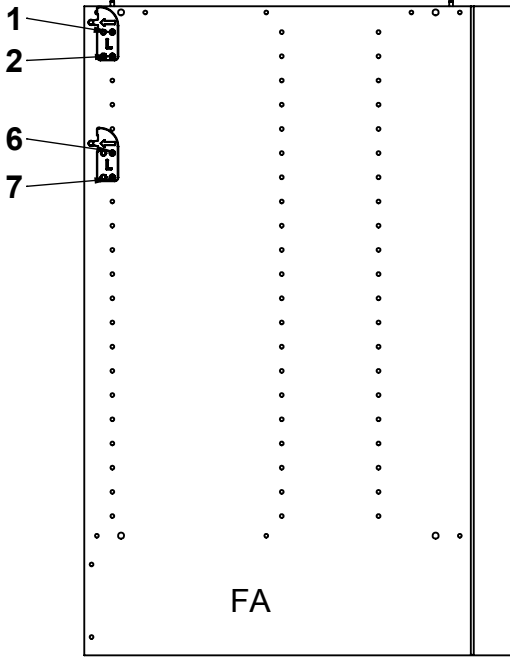
26040
x8



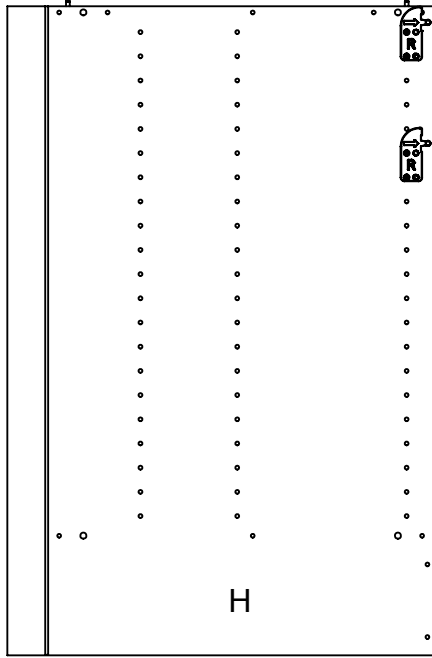
33307
x2



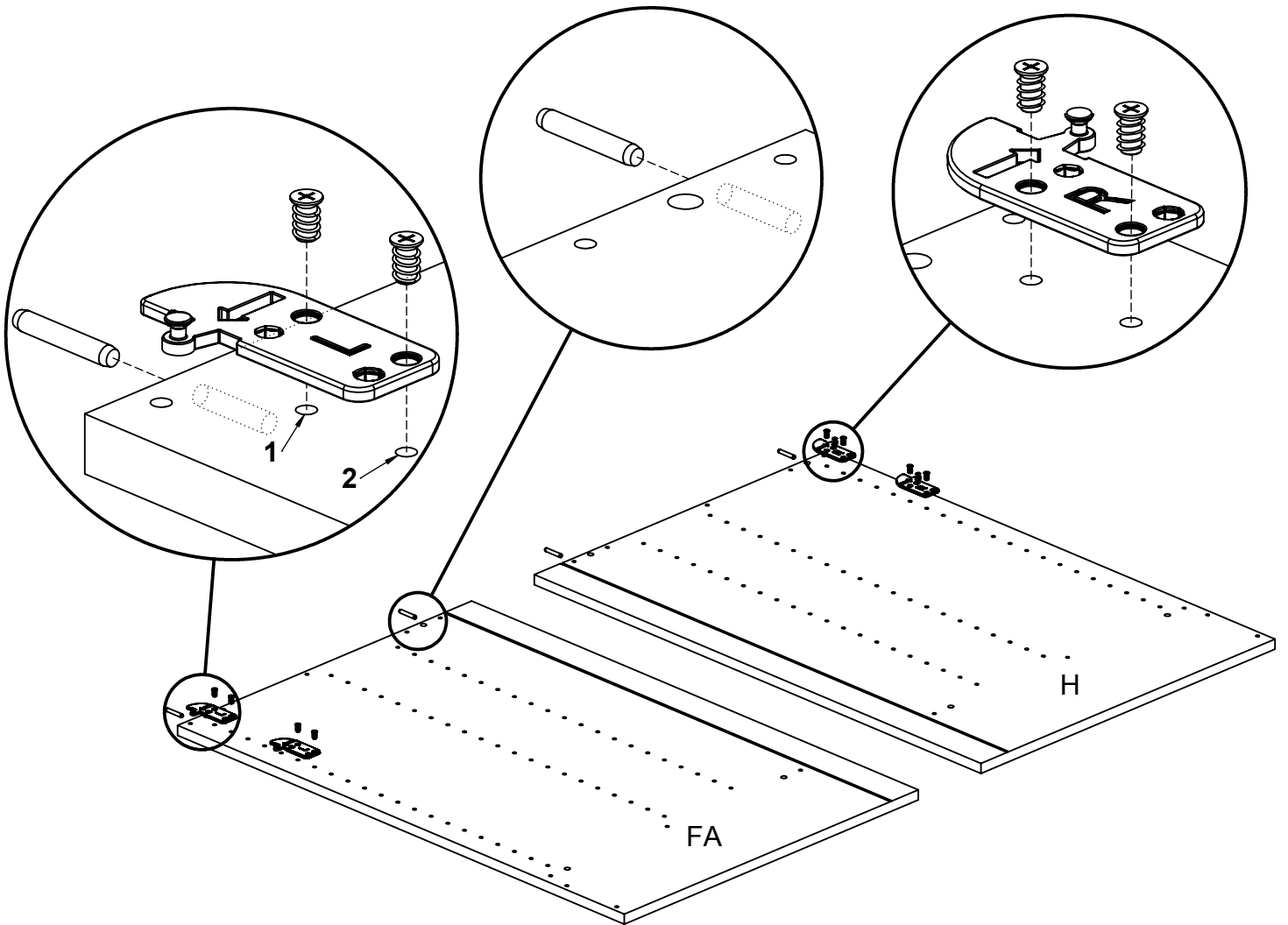
33308
x2

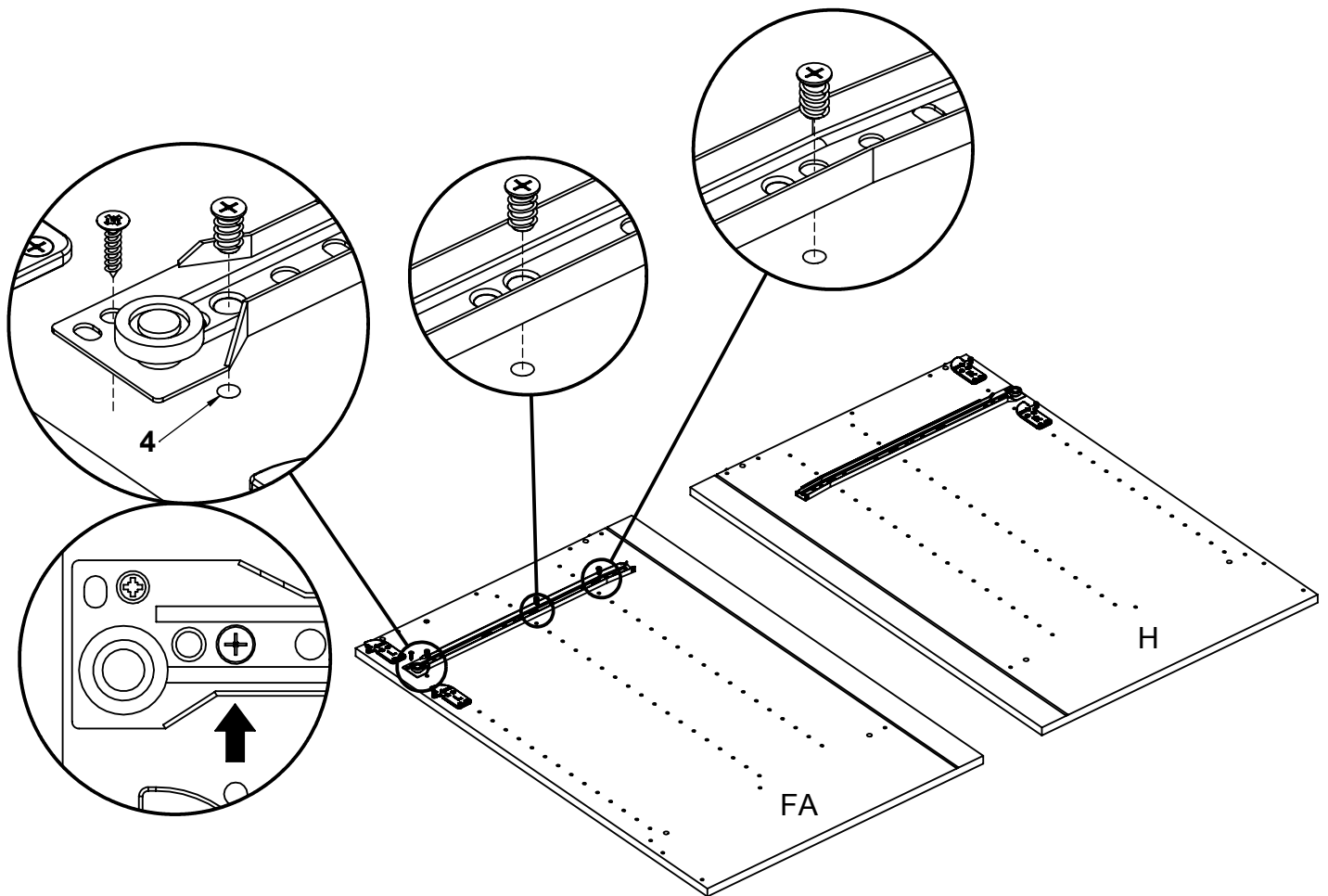
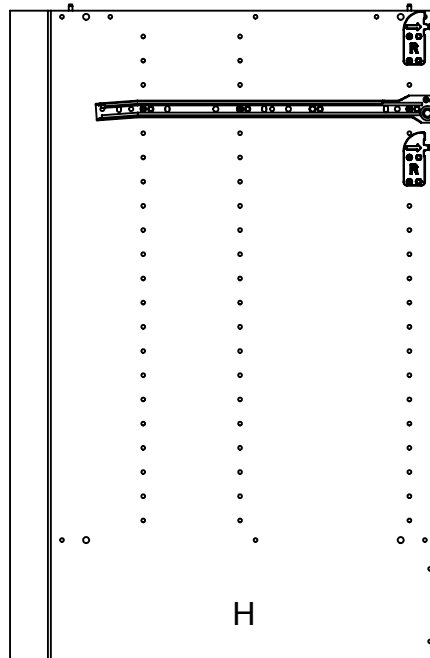
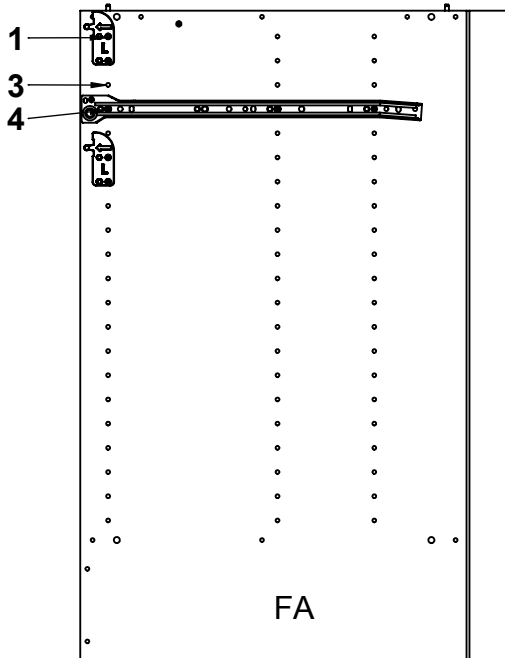
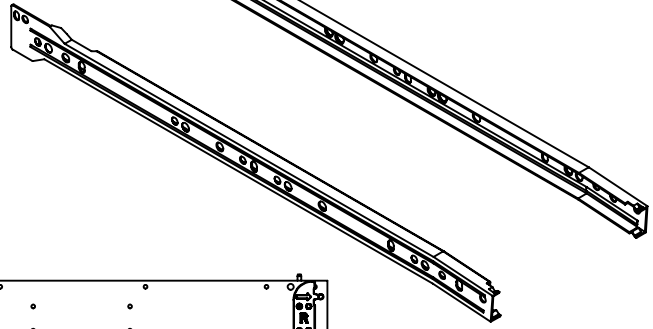
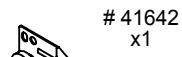
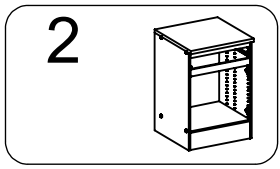


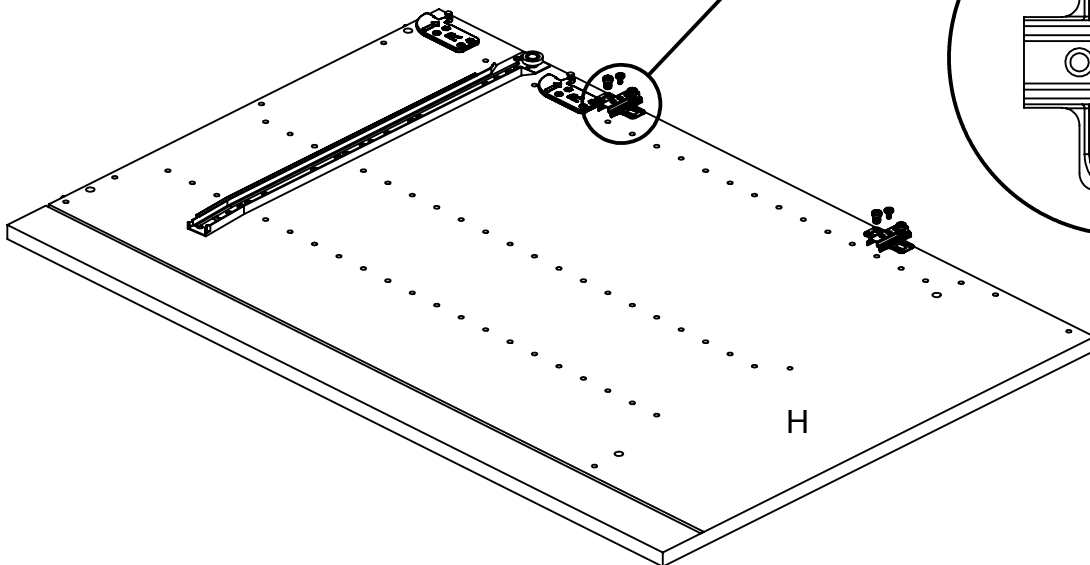
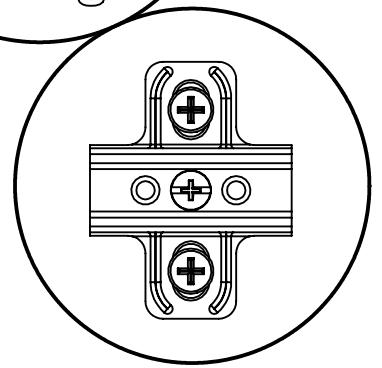
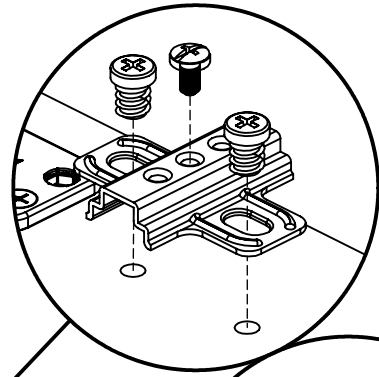
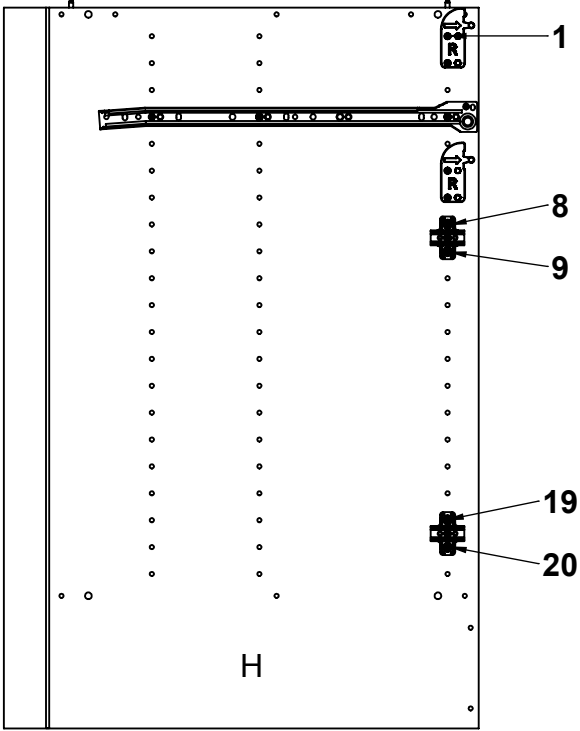
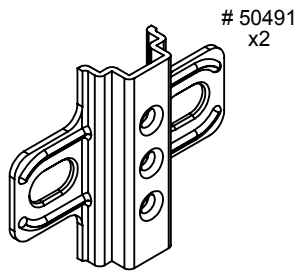
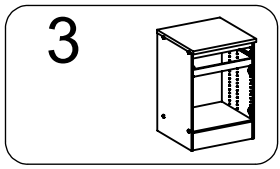
FA

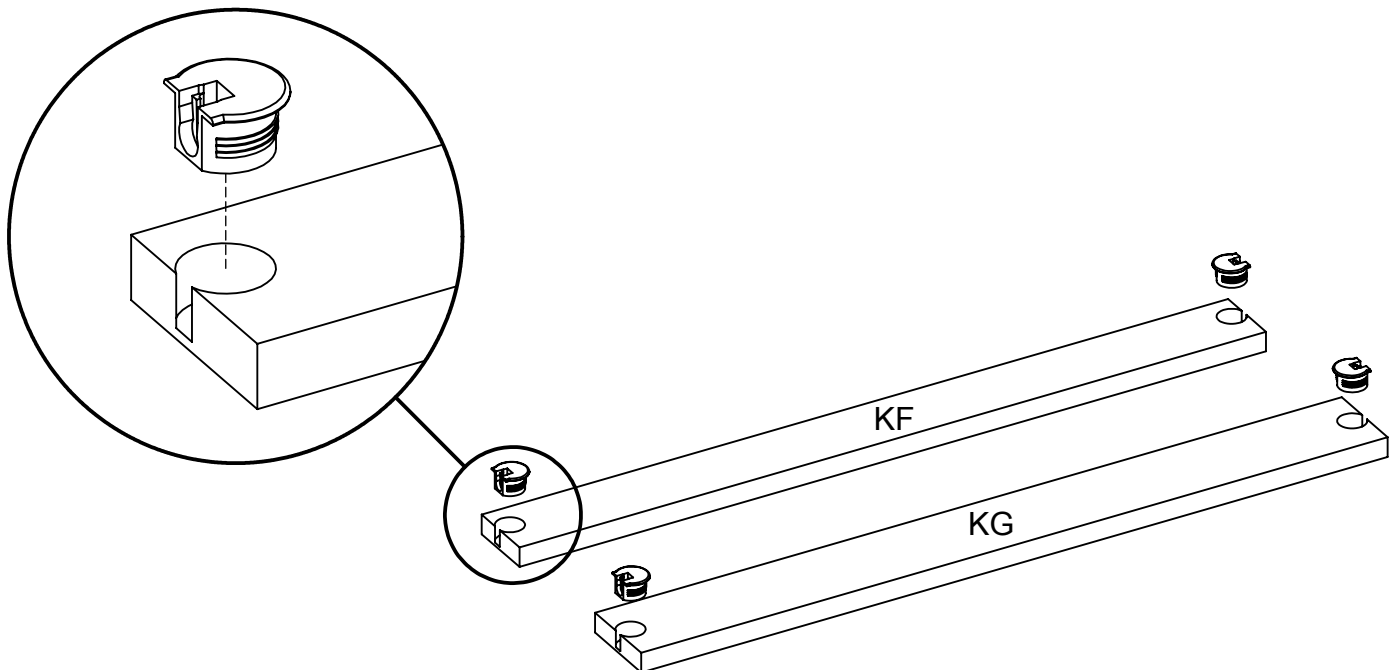
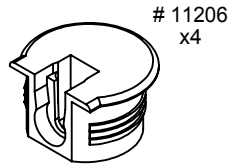
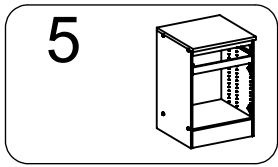
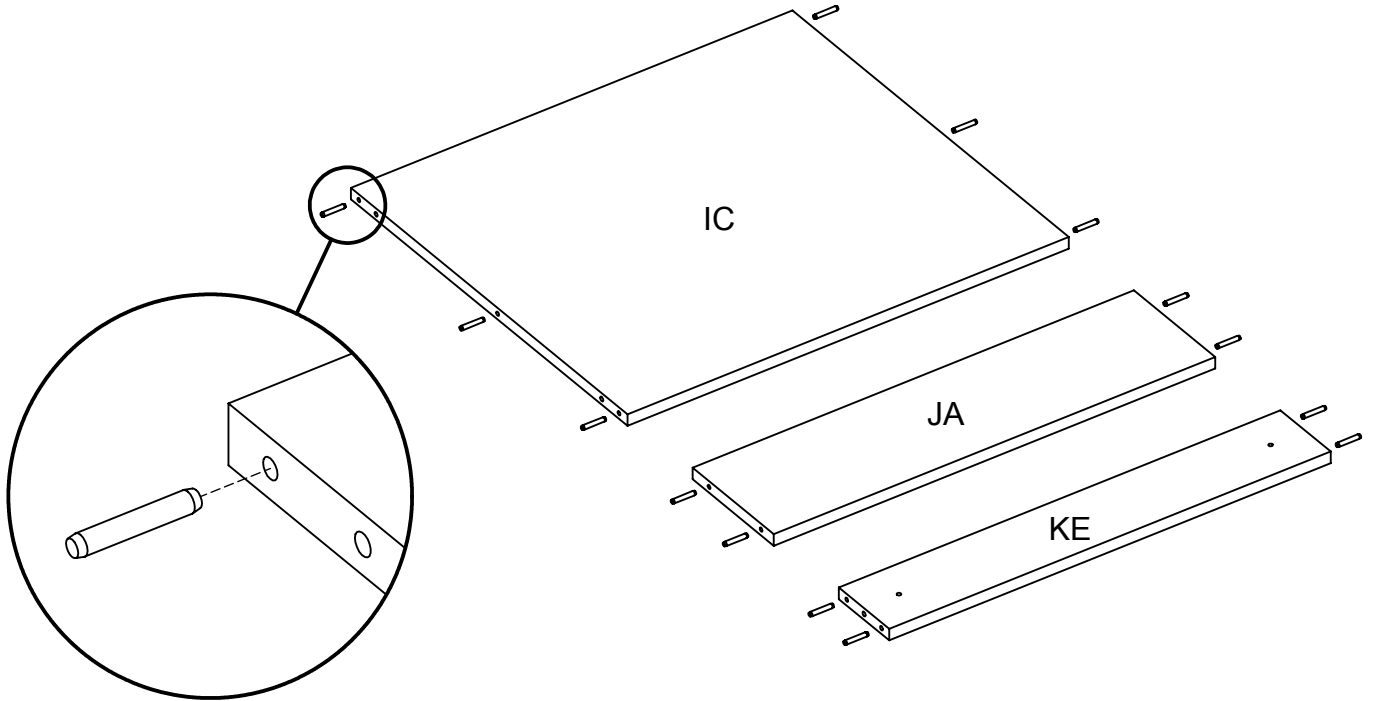
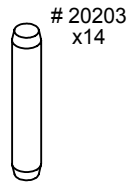
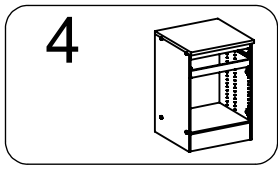


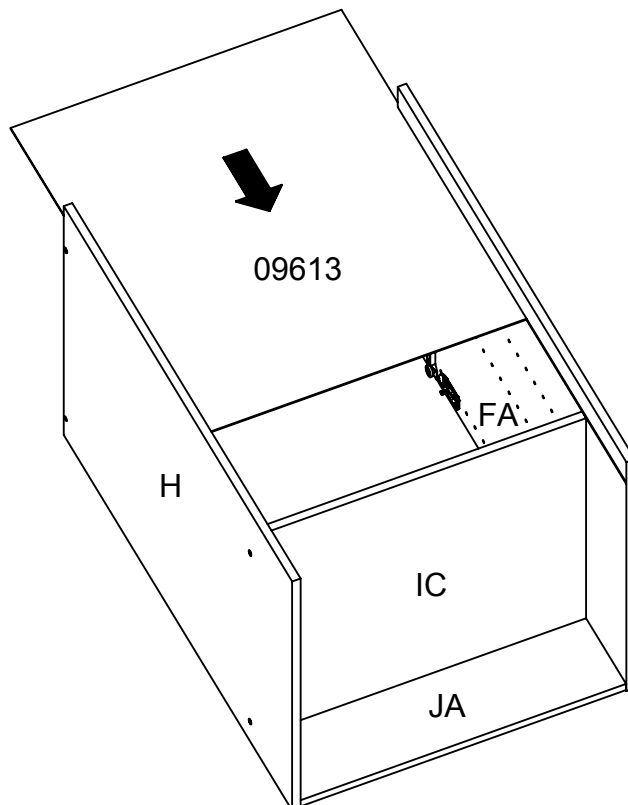
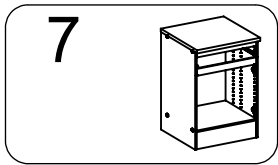
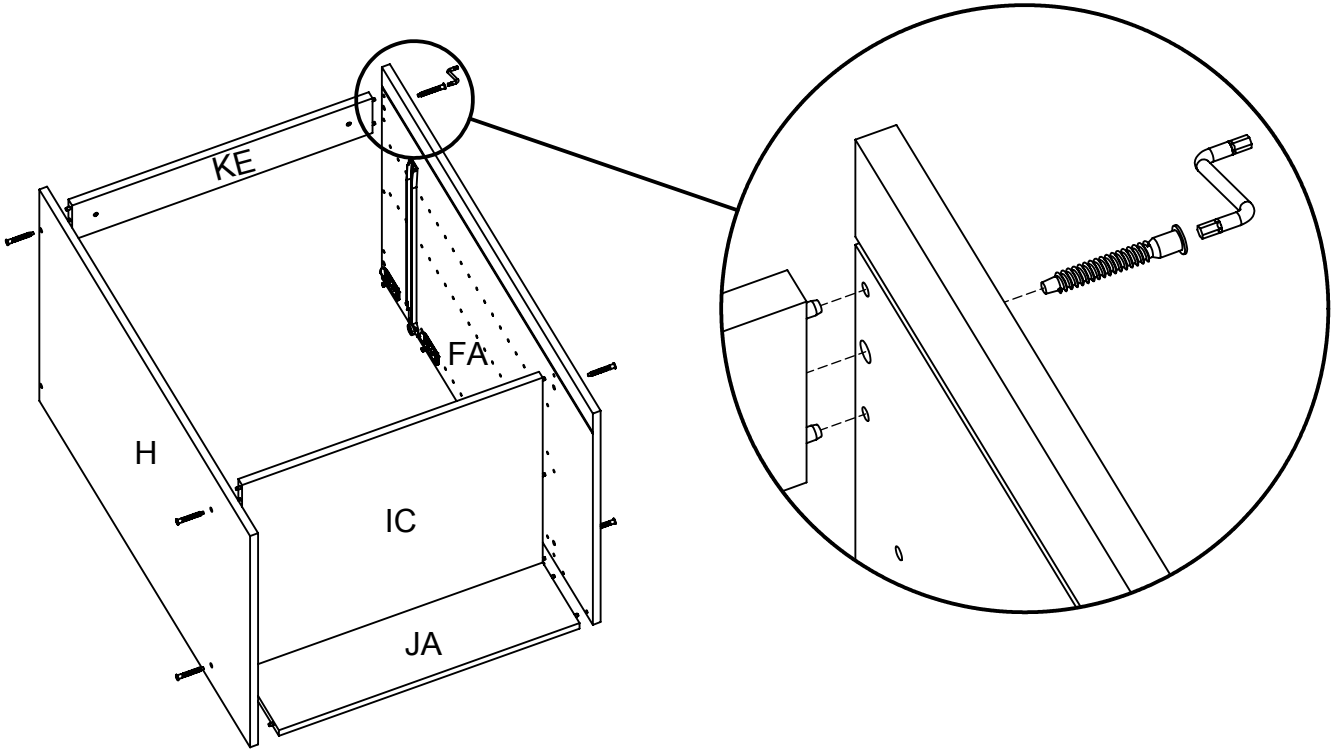
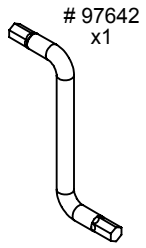
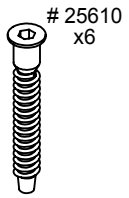
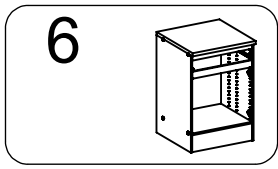
H

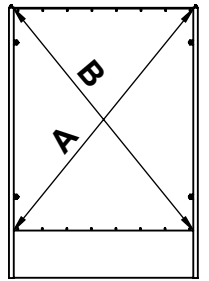
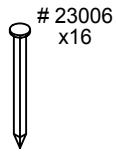
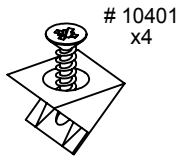
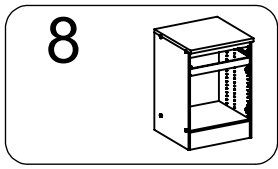




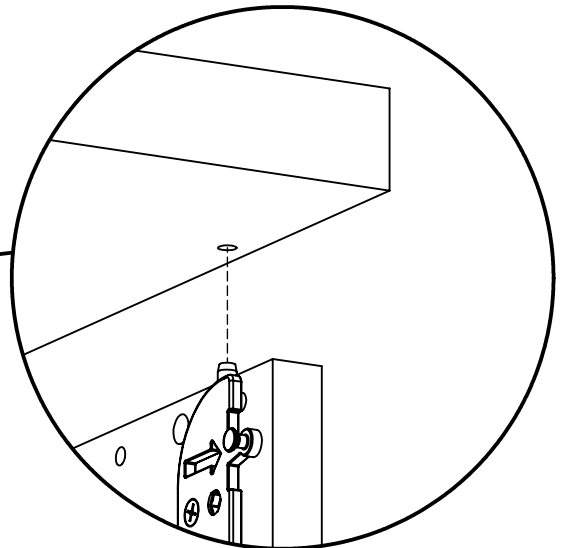
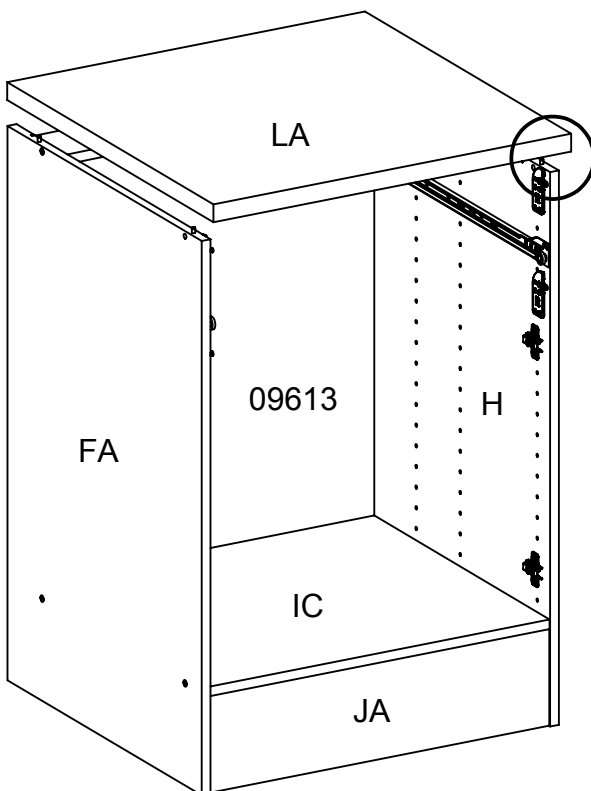
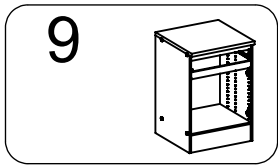
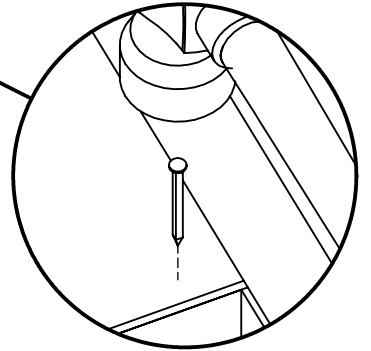
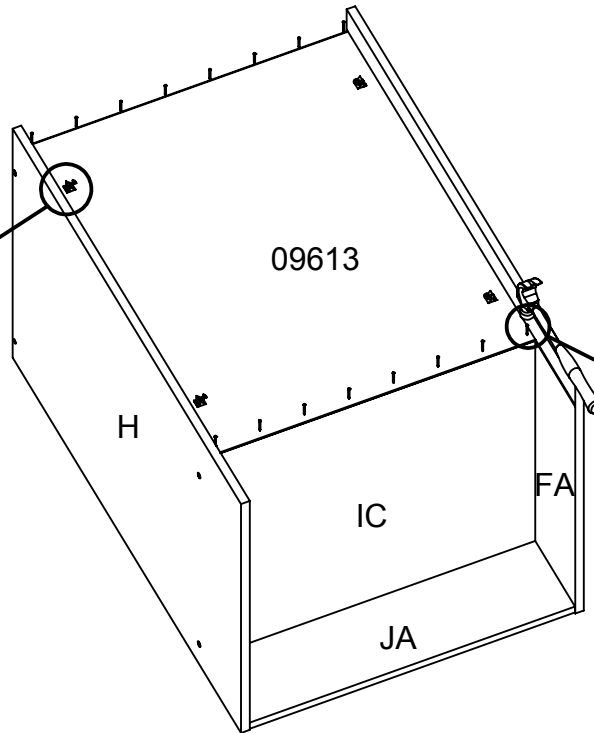
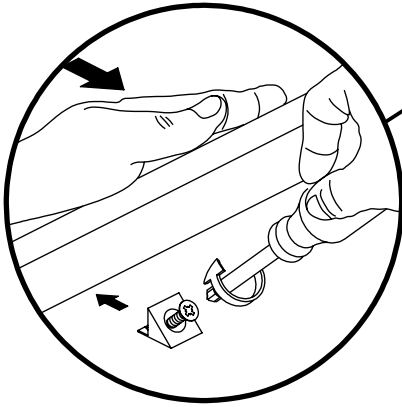
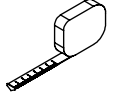


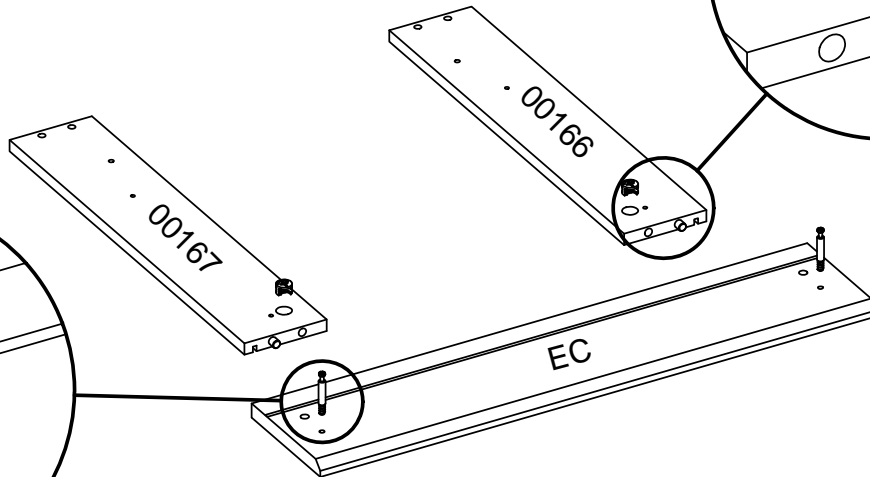
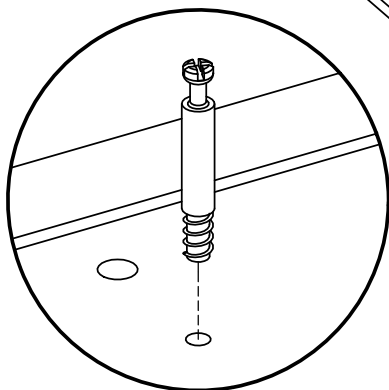
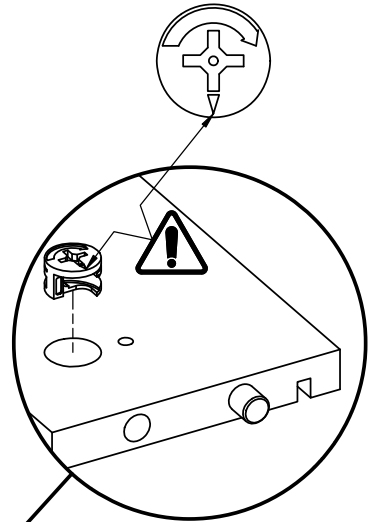
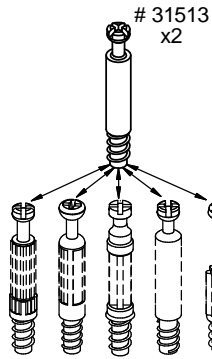
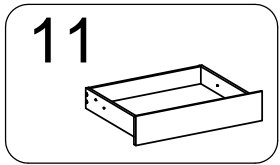
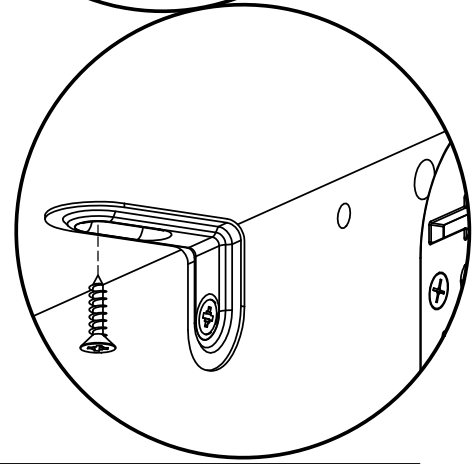
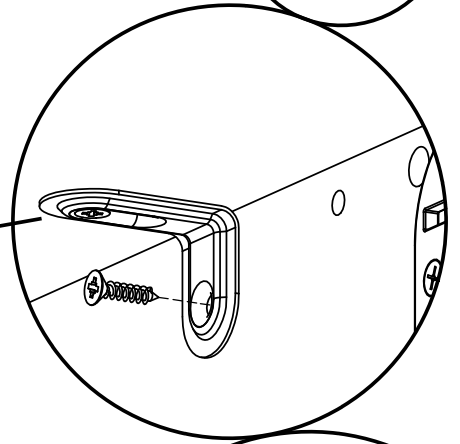
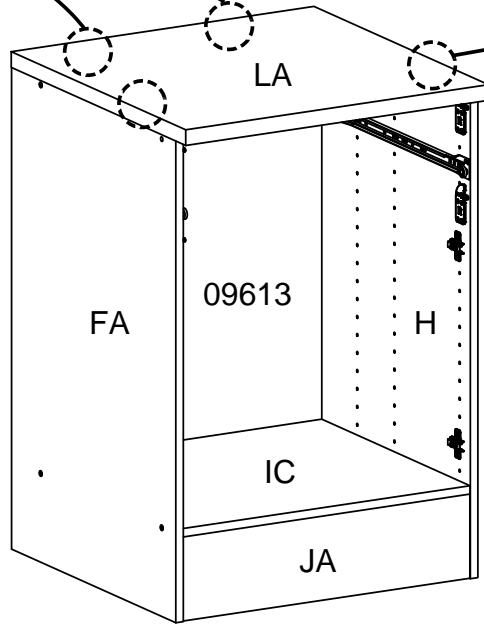
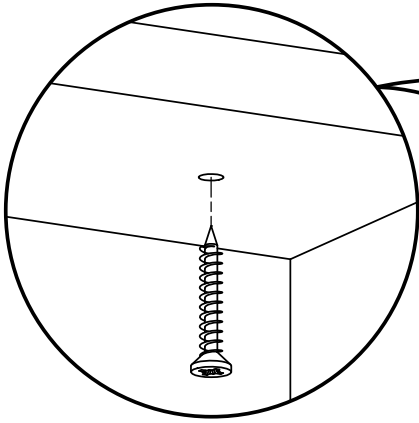
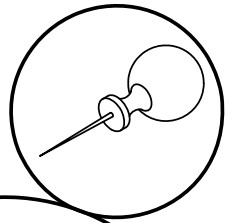
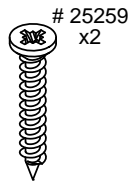
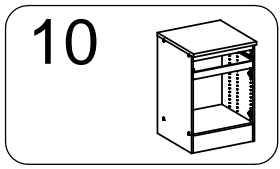


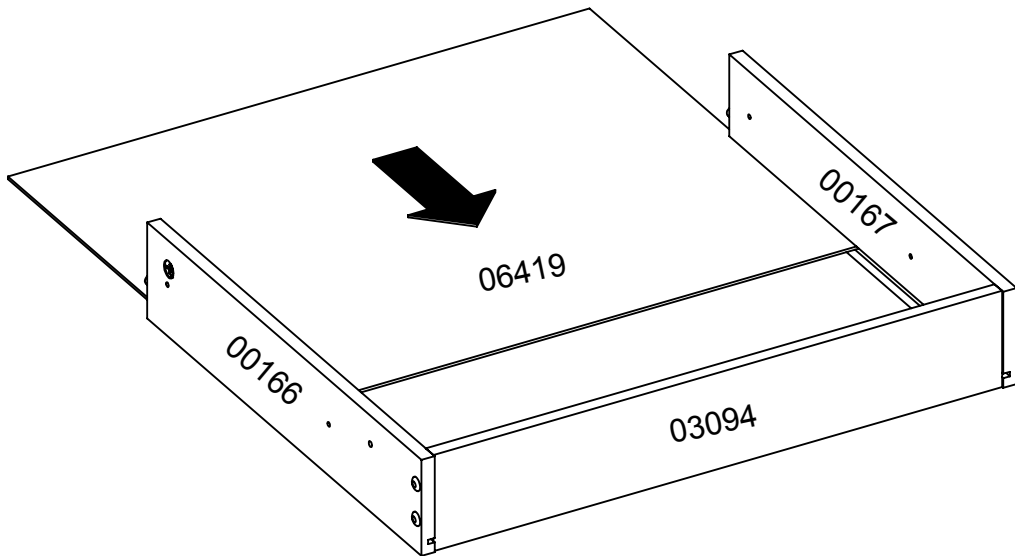
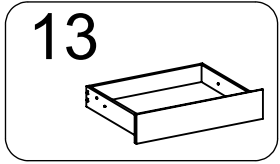
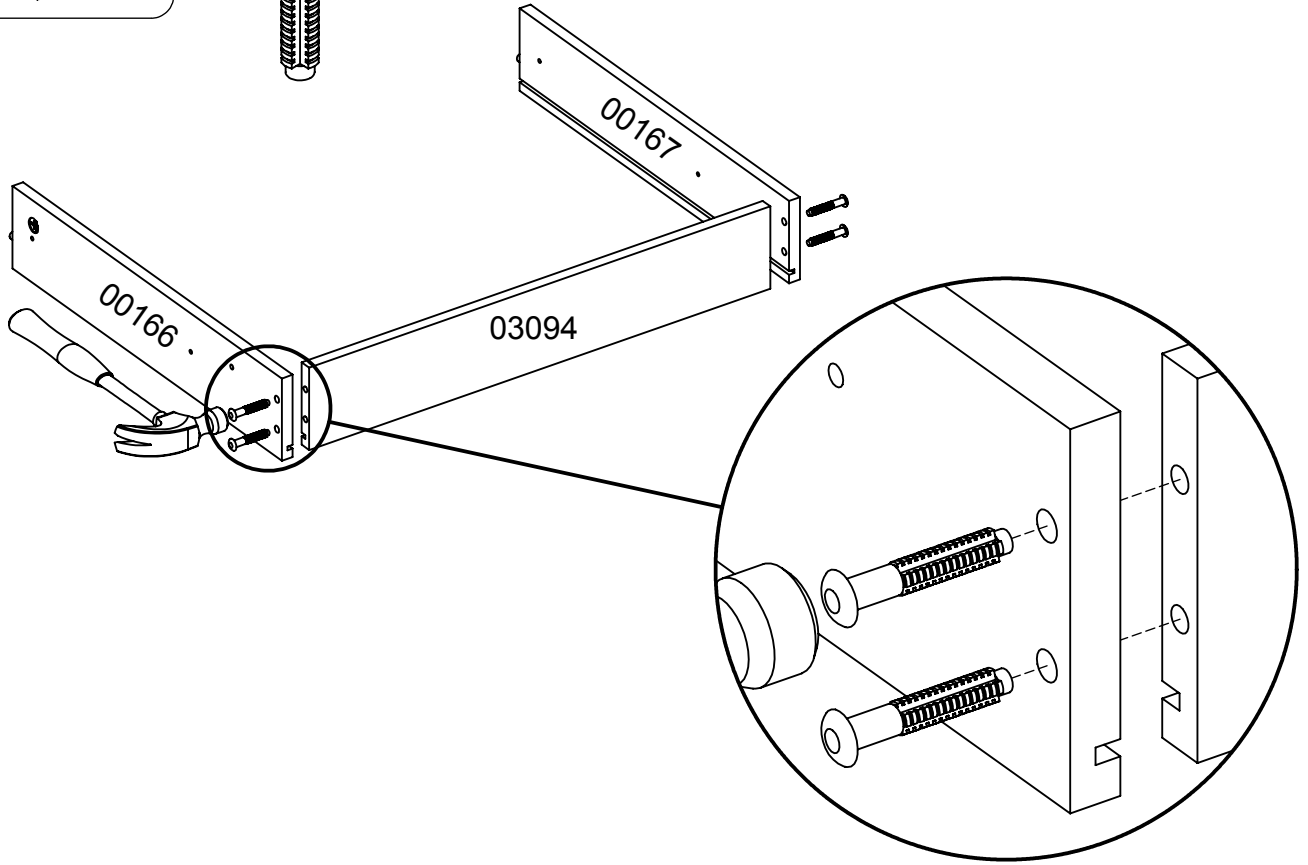
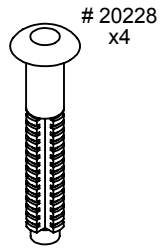
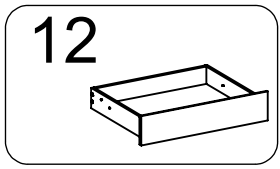




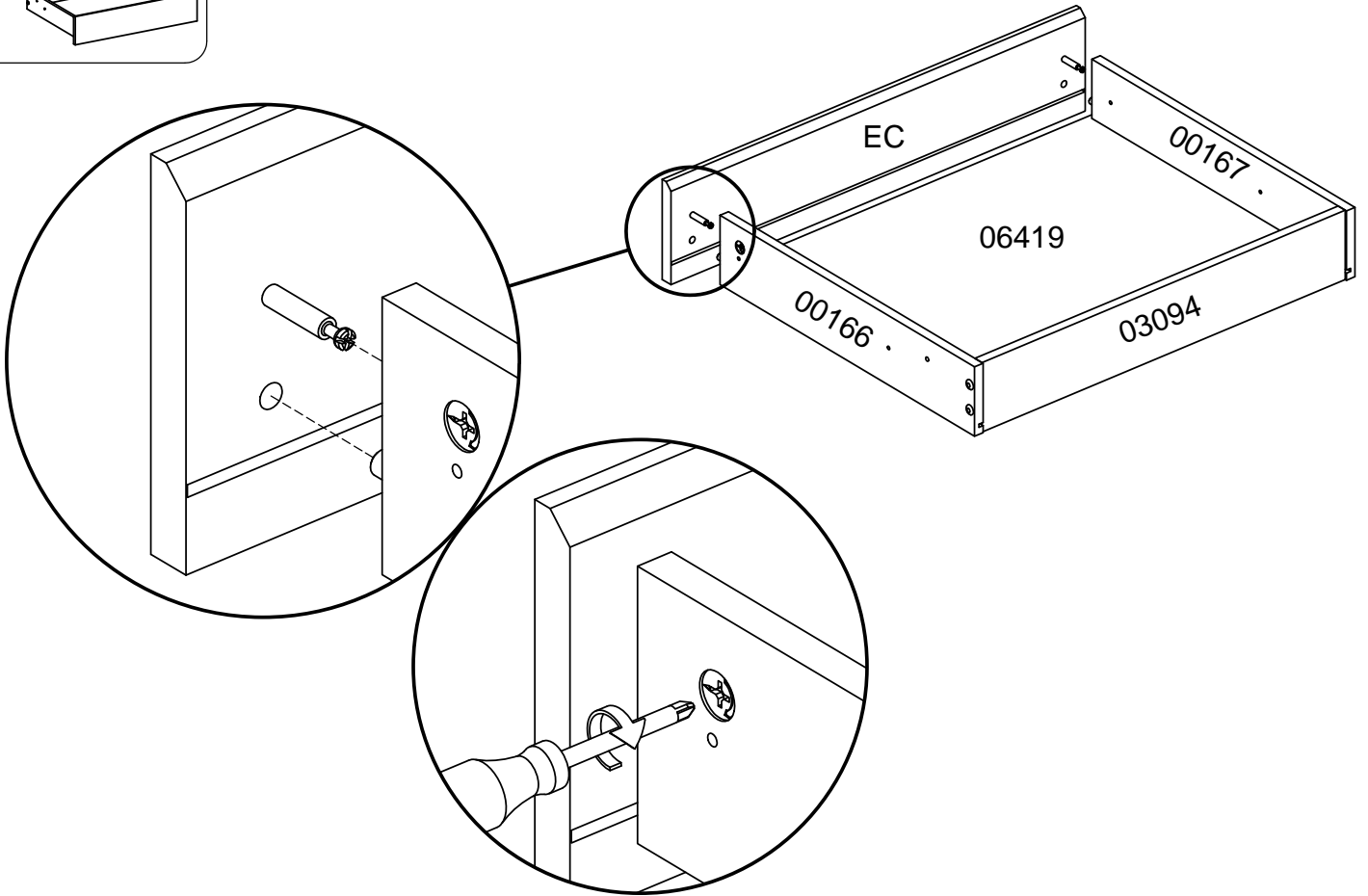
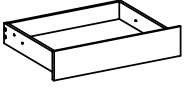
A = B



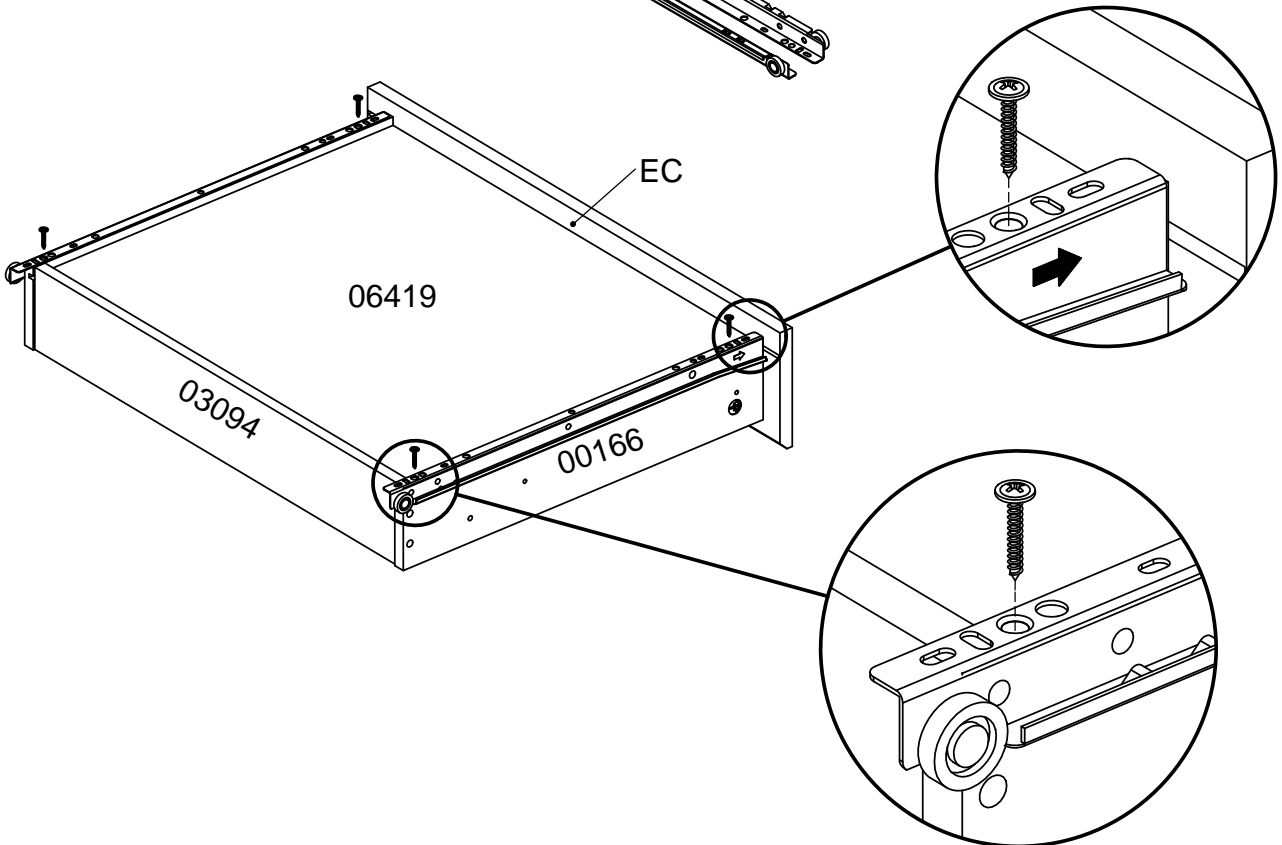
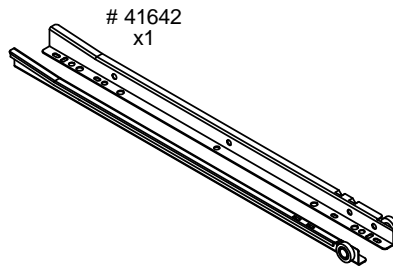
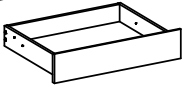


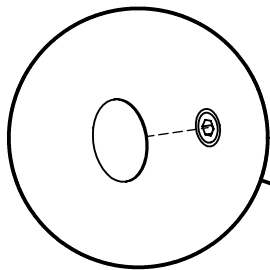
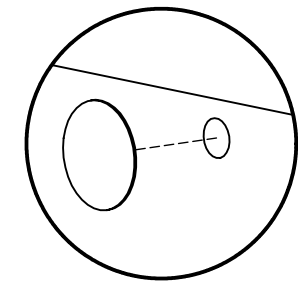
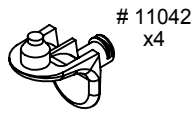
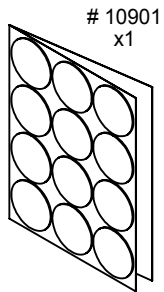
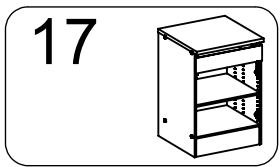
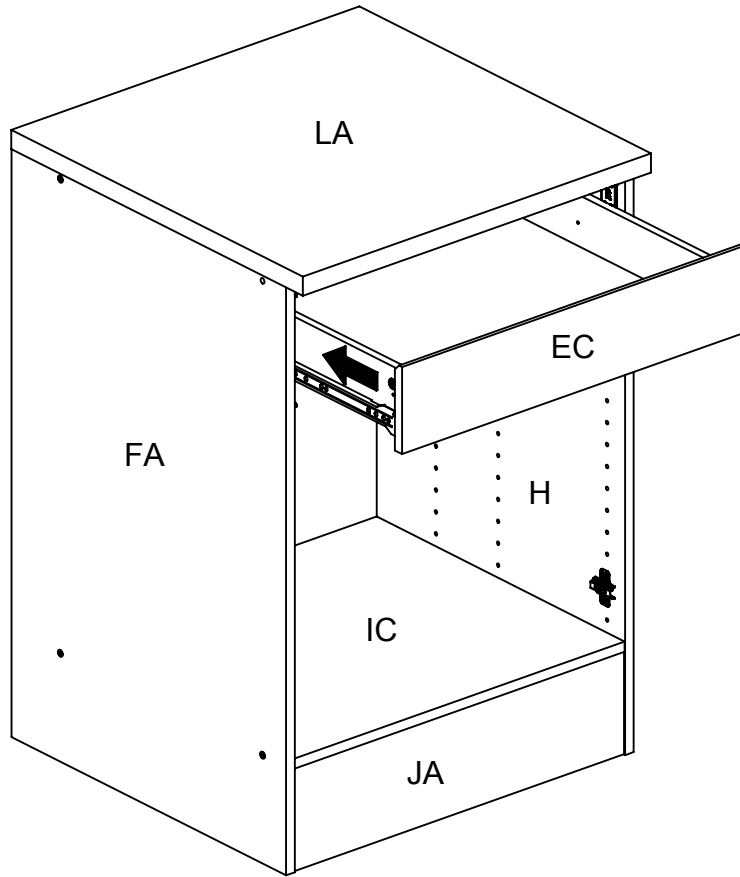
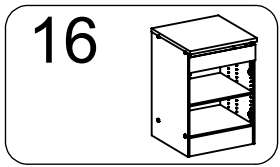


14

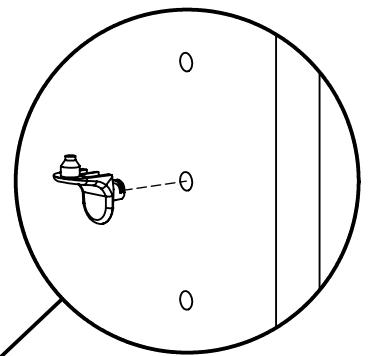
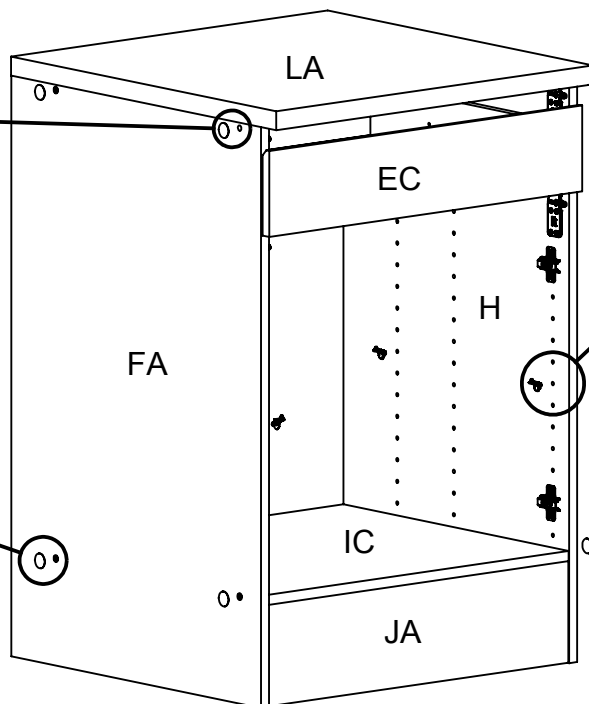


15

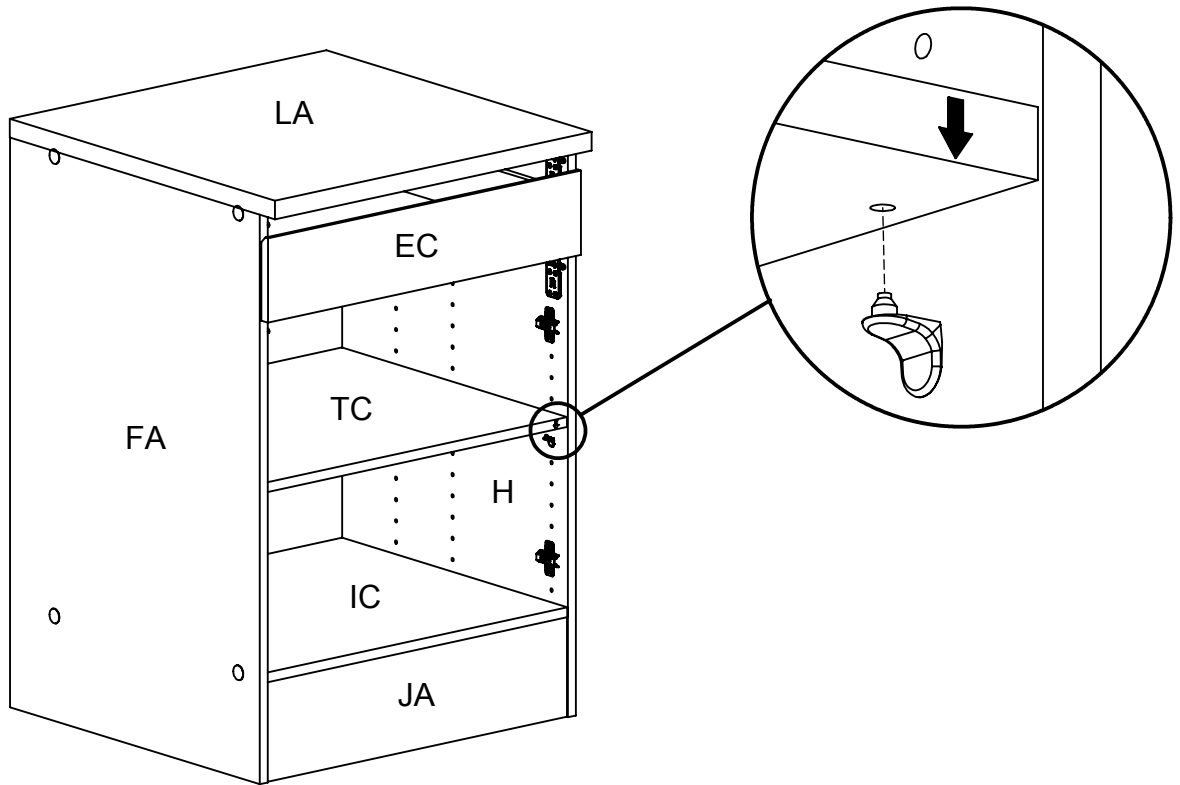
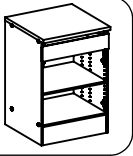




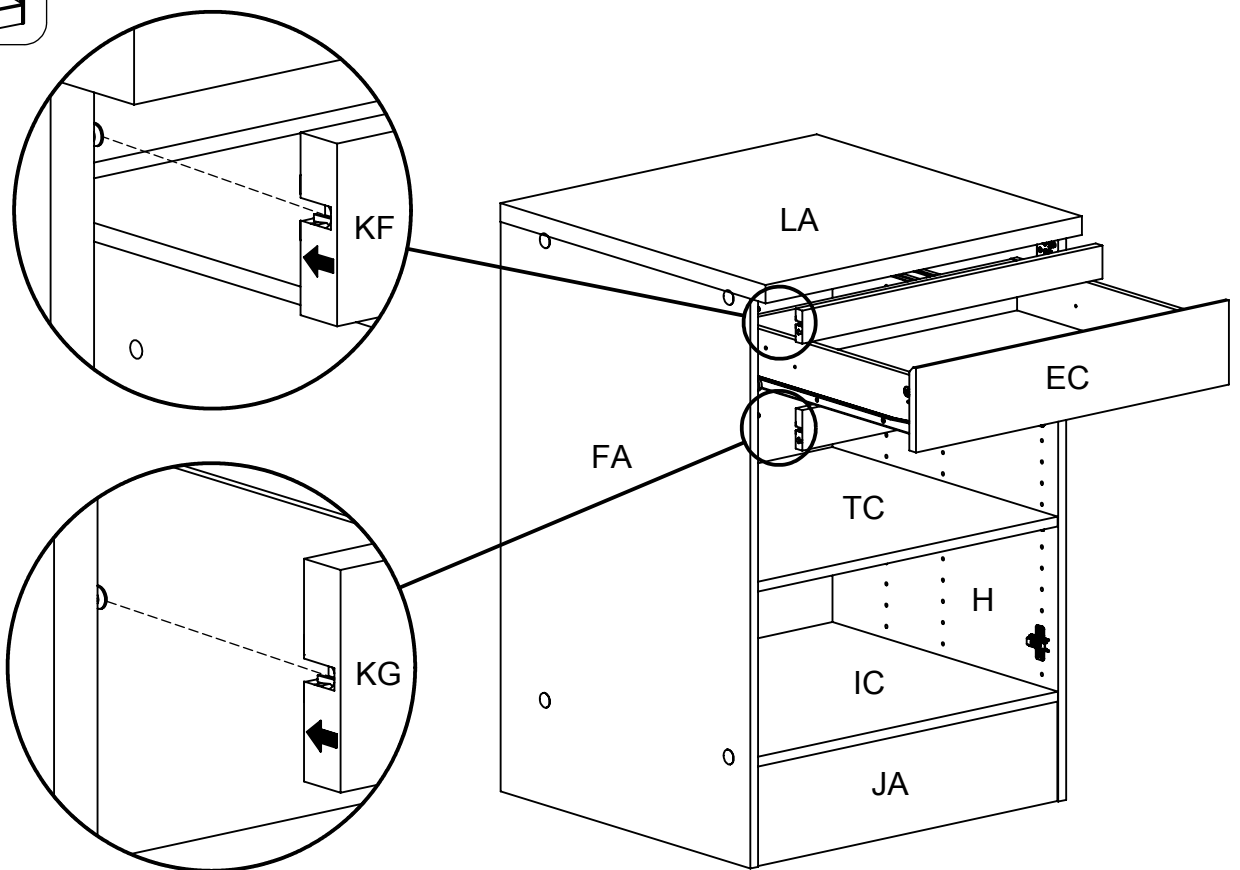
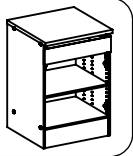
x8

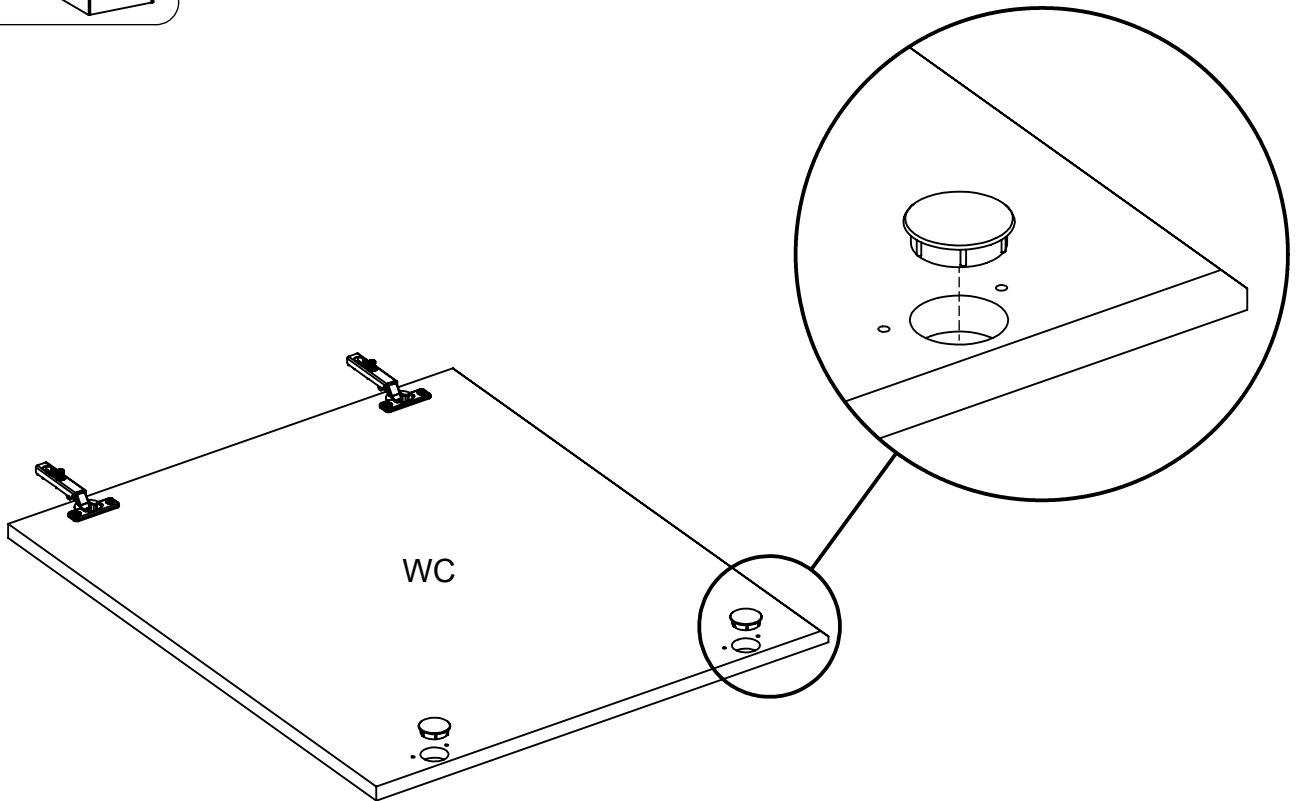
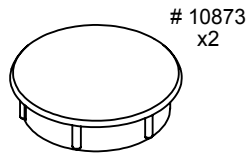
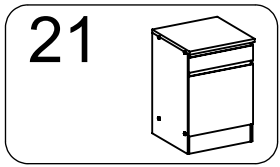
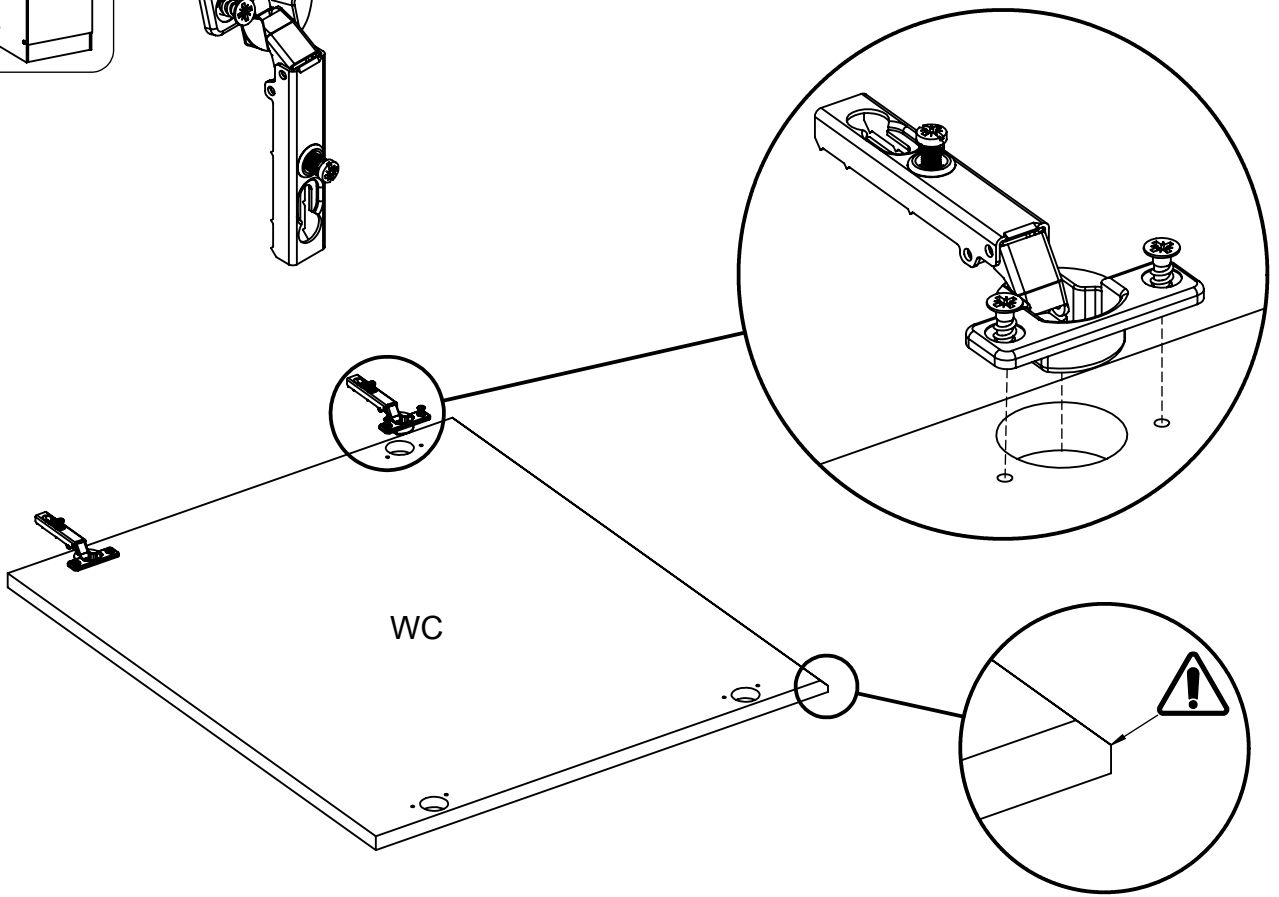
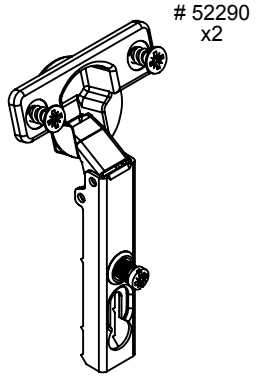
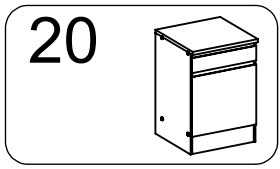


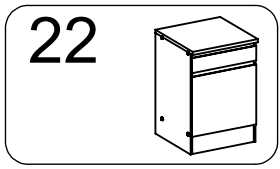
18



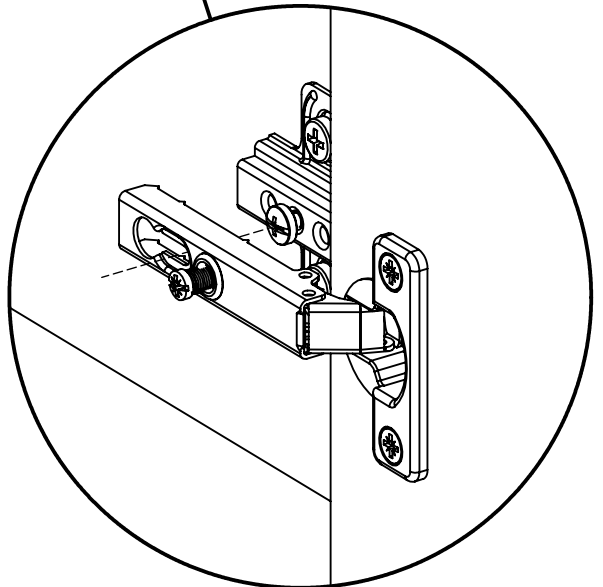
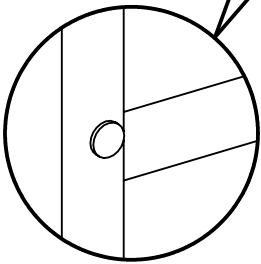
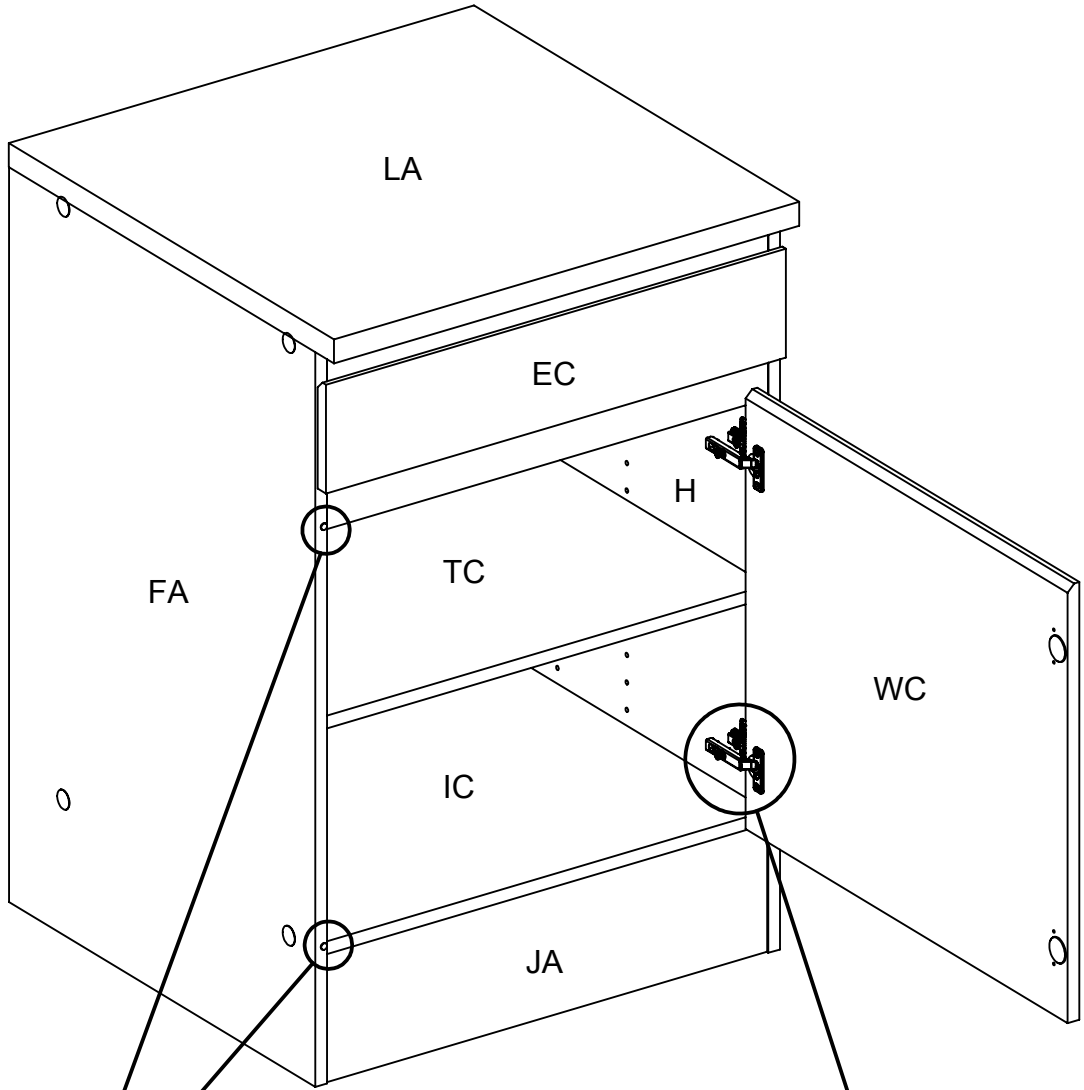
19

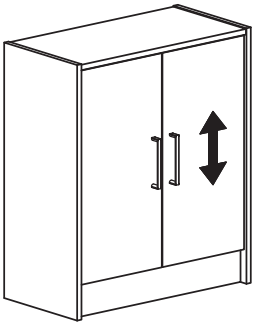




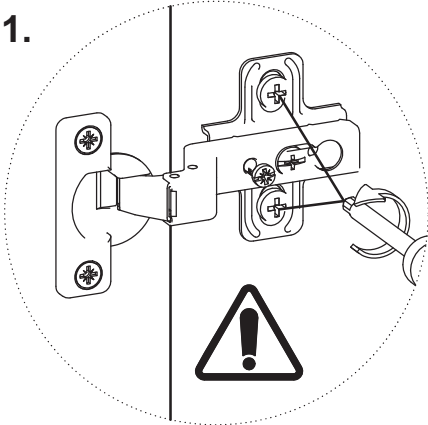


96203
x2

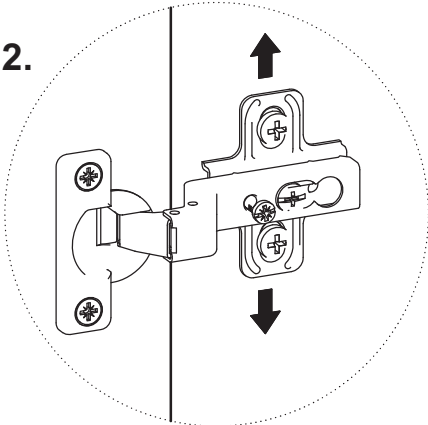
A small circular component, likely a hinge pin or screw head, shown next to its part number.



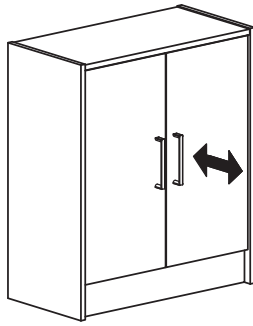
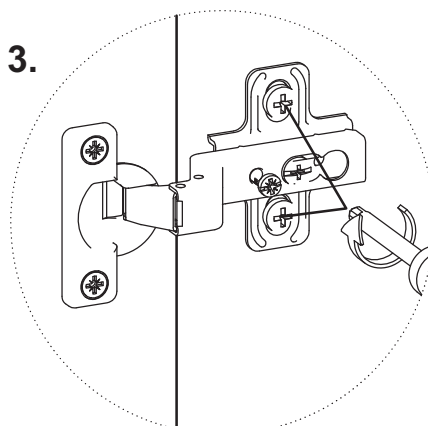
1.



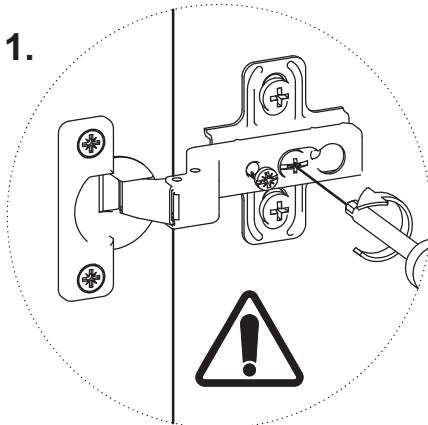
2.



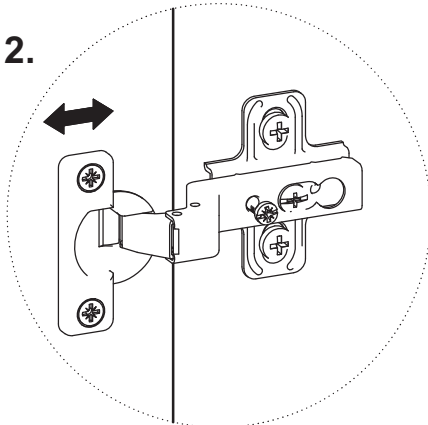
3.



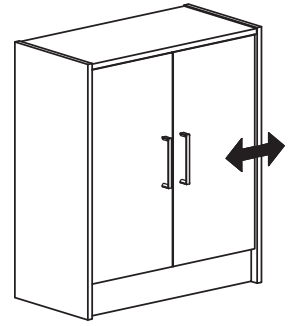
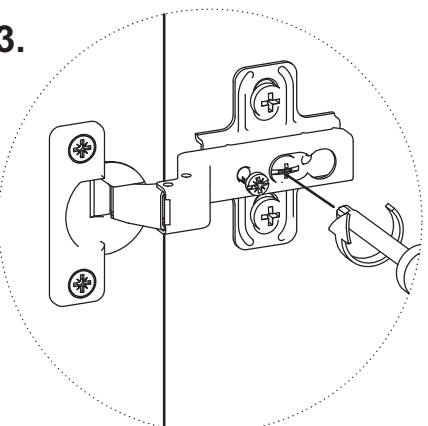
1.



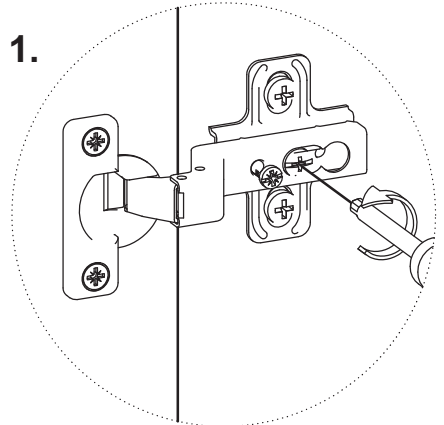
2.



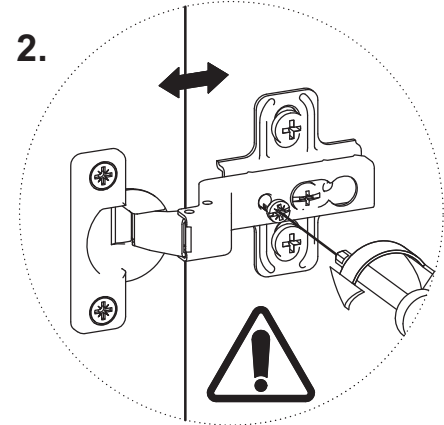
3.



1.



2.



3.

