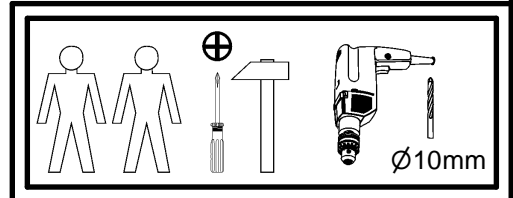
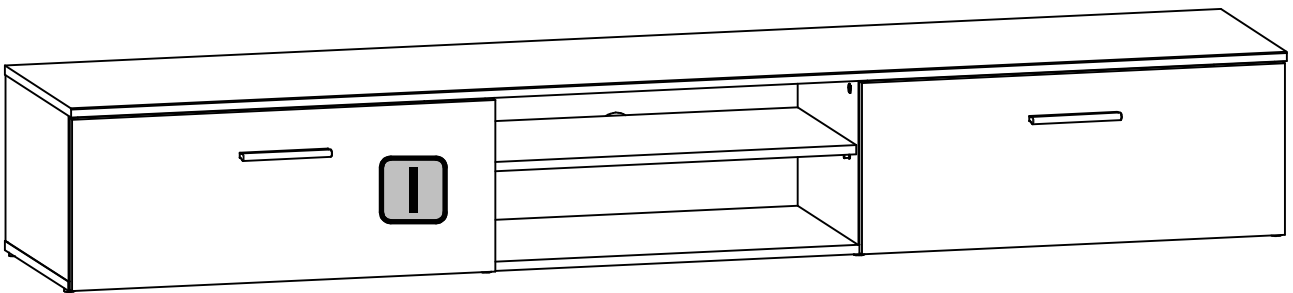
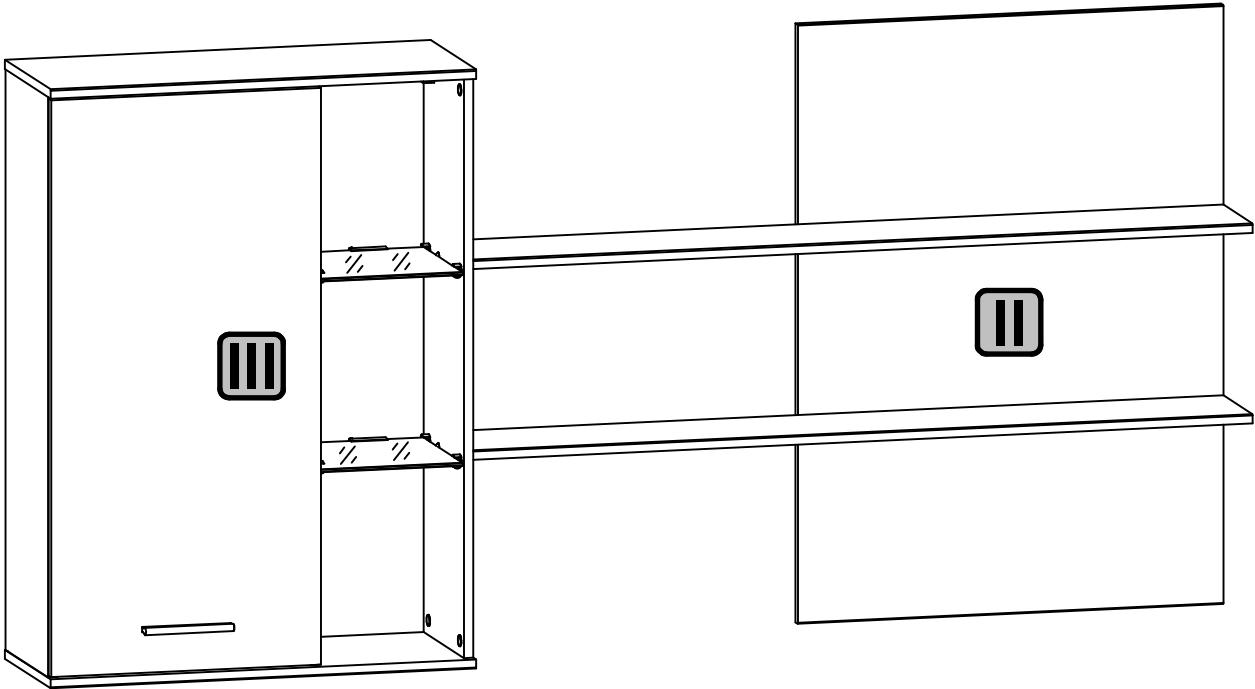


QUATRO

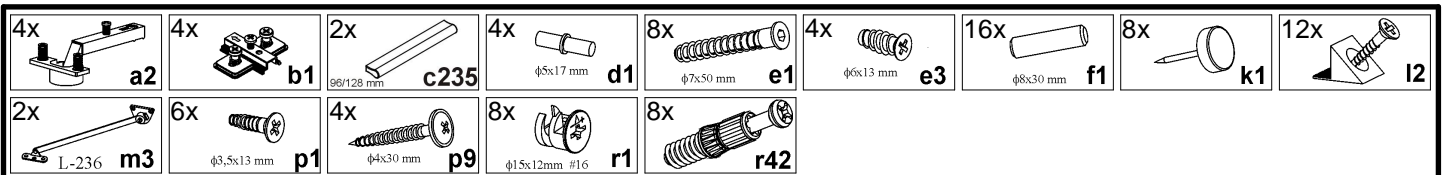
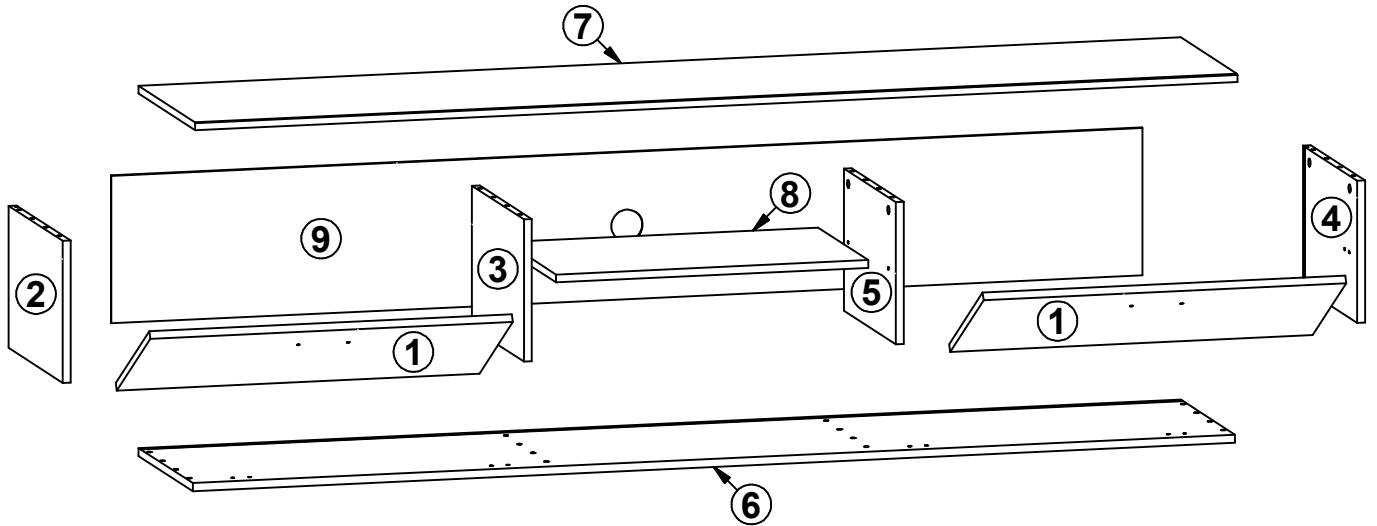
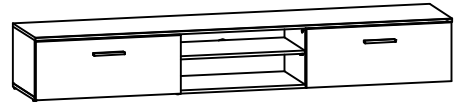


6x a2	6x b1	3x 96/128 mm c235	8x φ5x17 mm d1	8x d23	16x φ7x50 mm e1	2x φ6,3x13 mm e2	4x φ6x13 mm e3	8x φ6,0x11 mm e36
4x φ5x11 mm e4	32x φ8x30 mm f1	4x φ10x50 mm f35	2x g2	8x k1	20x l1	20x l2	2x L-236 m3	1x n38/L
1x n38/P	6x φ3,5x13 mm p1	4x φ4x30 mm p21	4x φ6x60 mm p75	6x φ4x30 mm p9	20x φ15x12mm #16 r1	20x r42	2x s1	10x ø16 s2
1x z1								

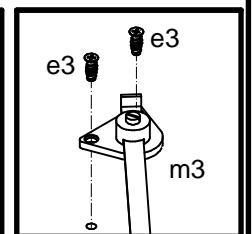
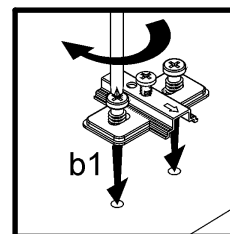
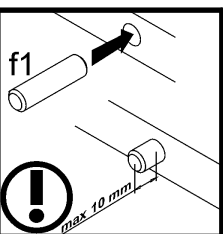
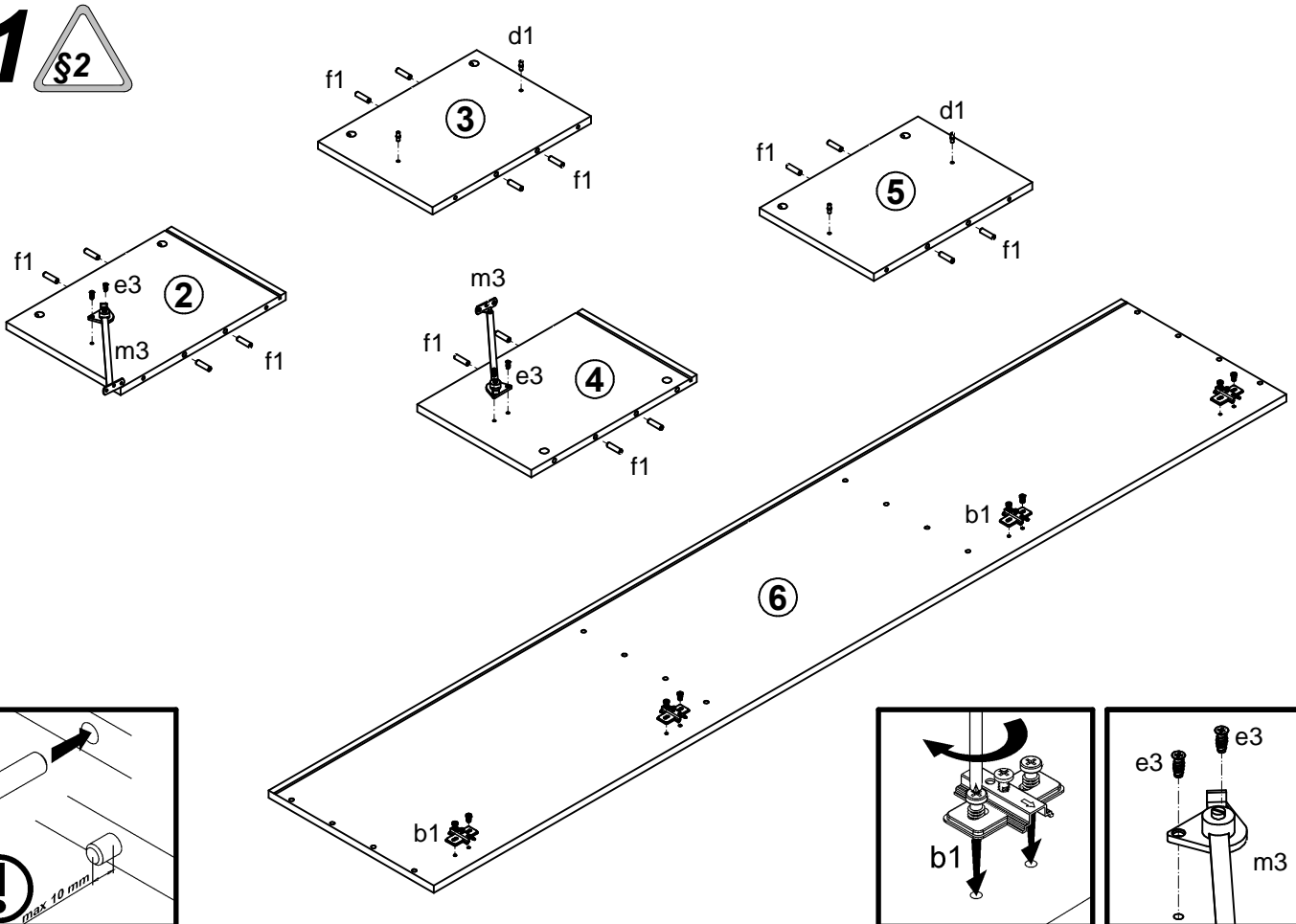
I

M97-RTV2K/3/20

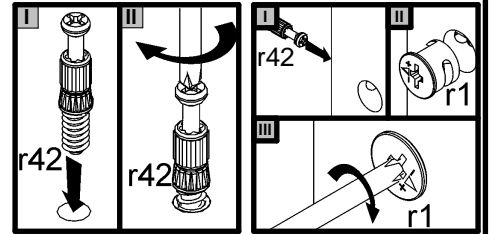
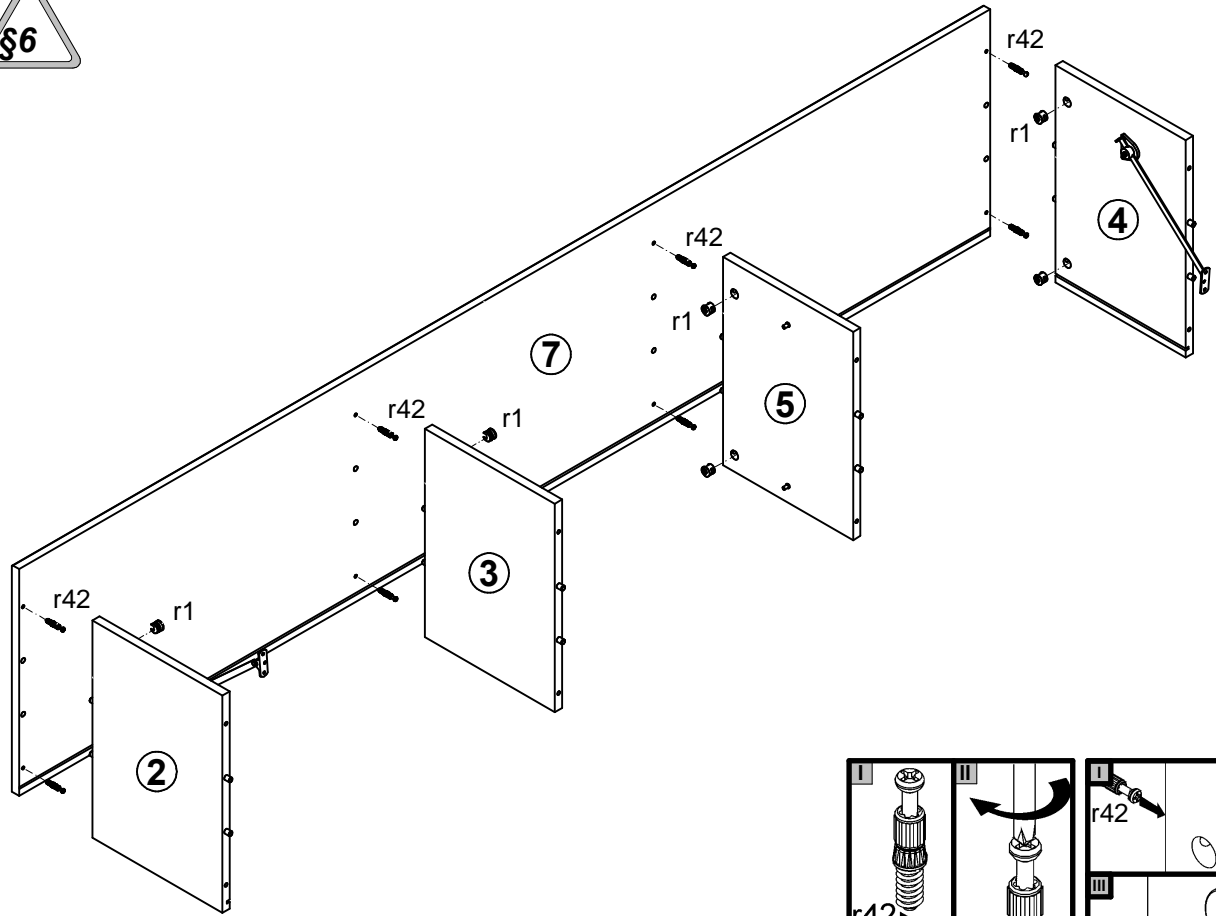
A	B	C	D	A	B	C	D		
1	M97-002	696	277	2/2	6	M97-203	2000	388	1/2
2	M97-104	268	388	1/2	7	M97-204	2000	405	1/2
3	M97-105	268	372	1/2	8	M97-303	599	360	1/2
4	M97-106	268	388	1/2	9	M97-903	1979	278	1/2
5	M97-107	268	372	1/2					



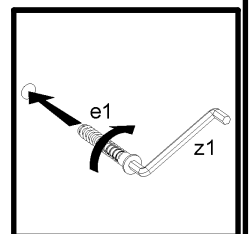
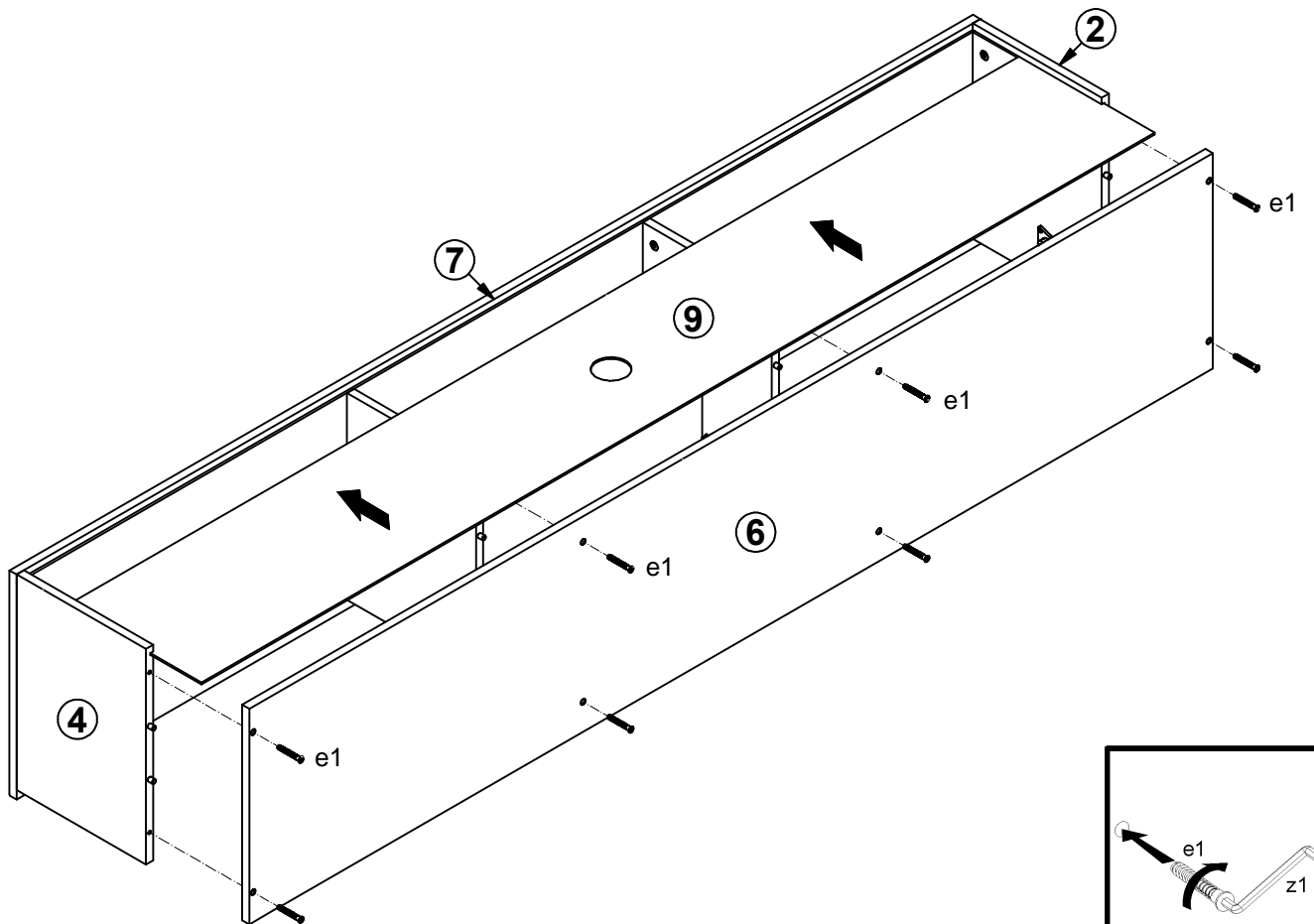
1

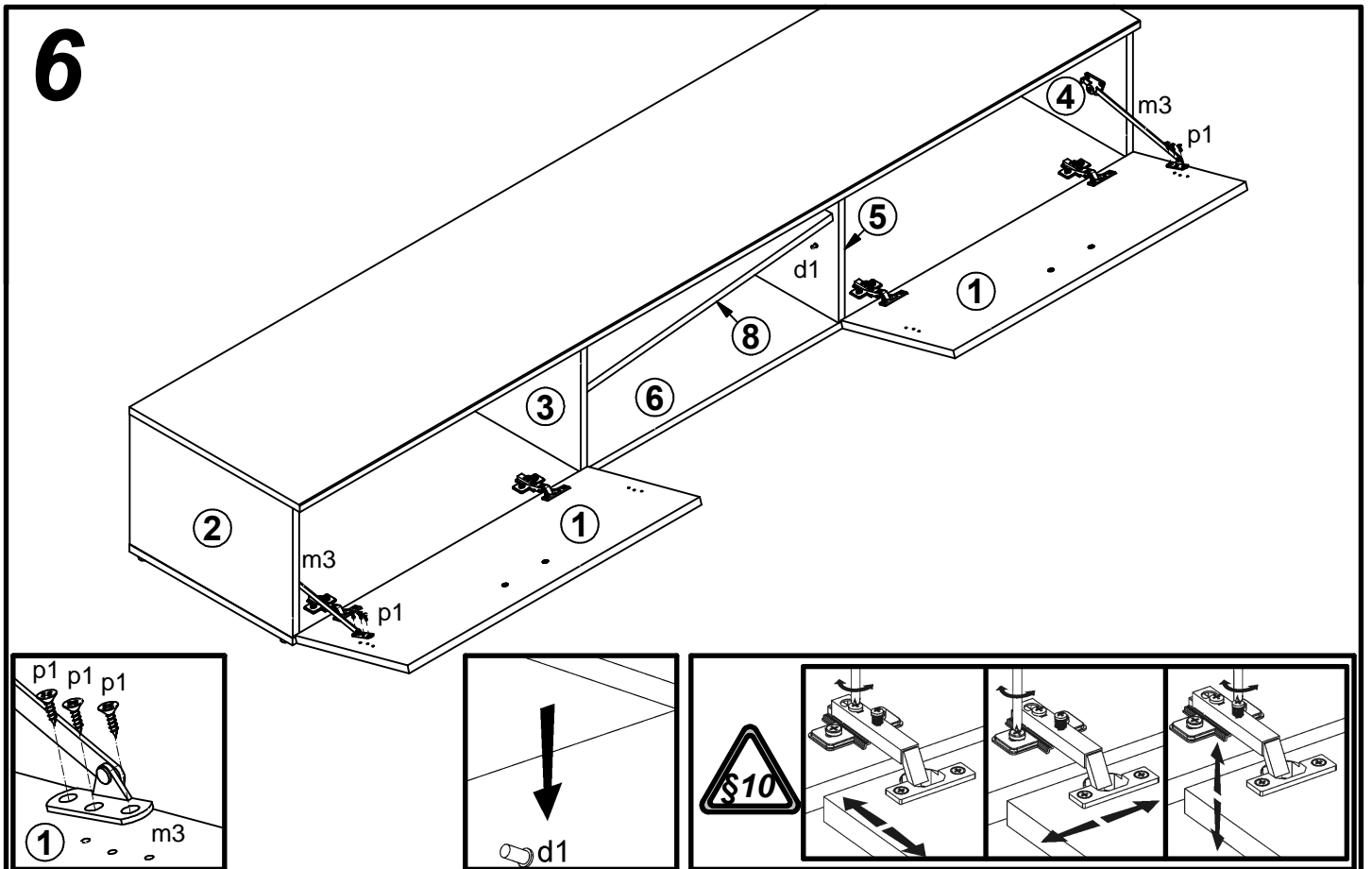
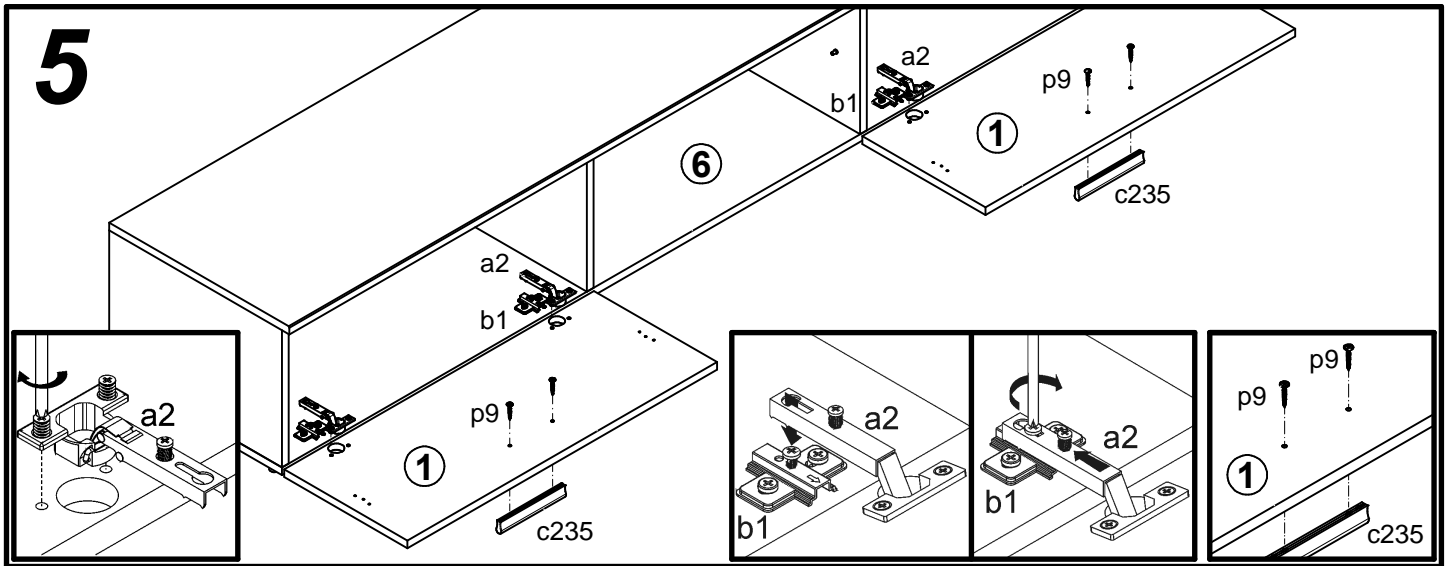
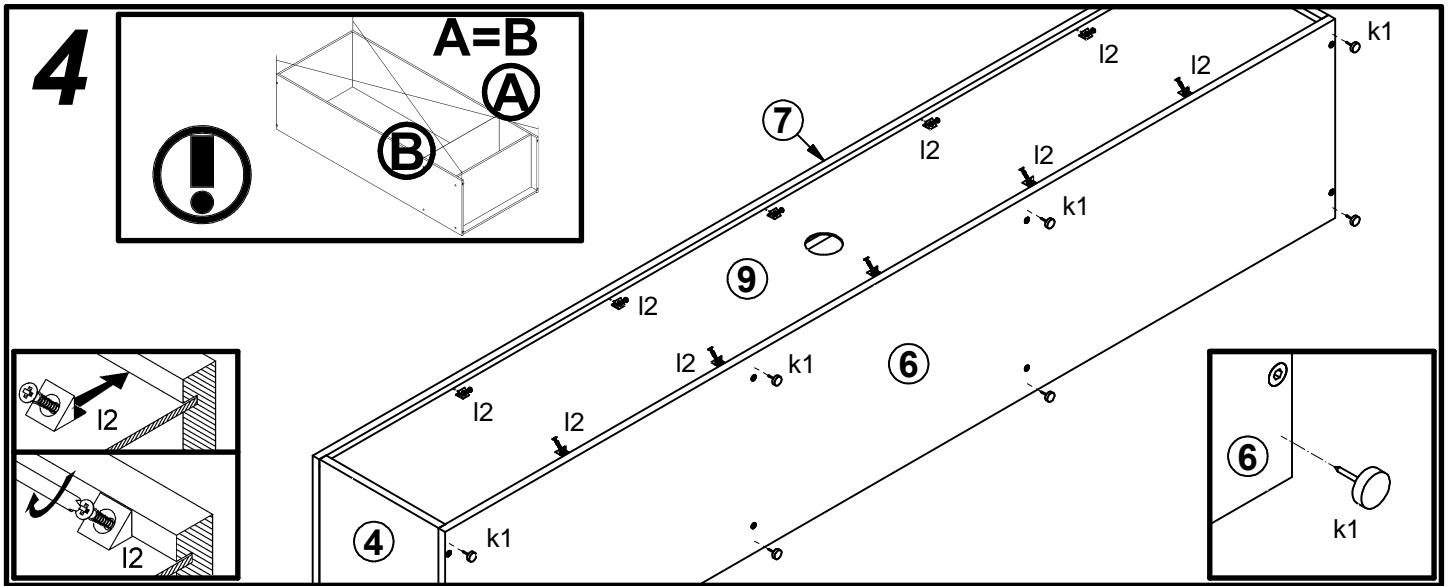


2



3

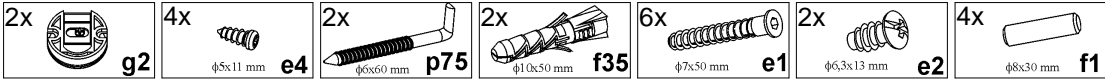
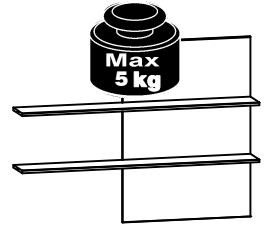
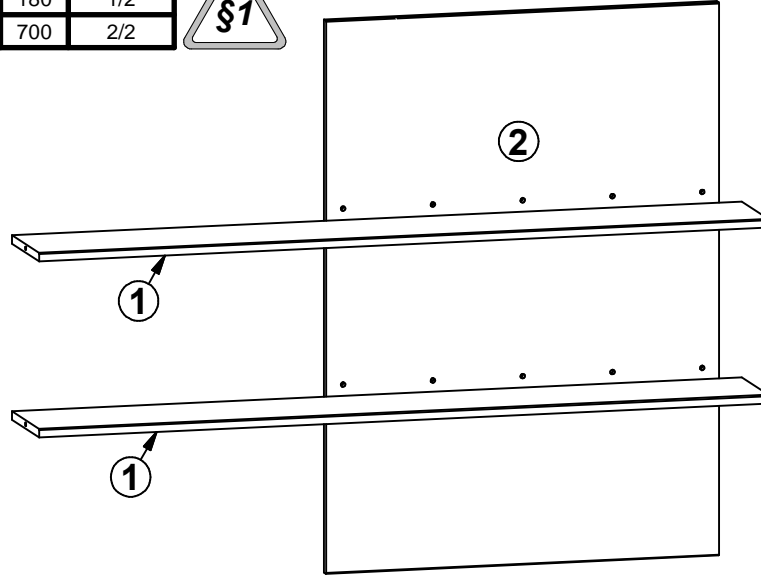




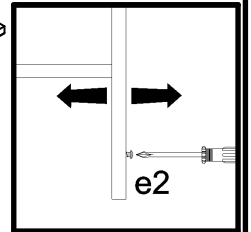
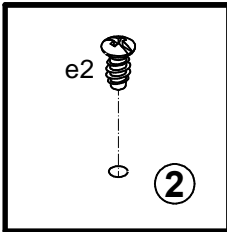
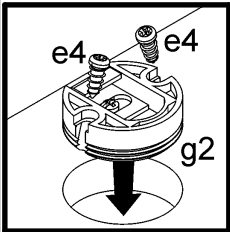
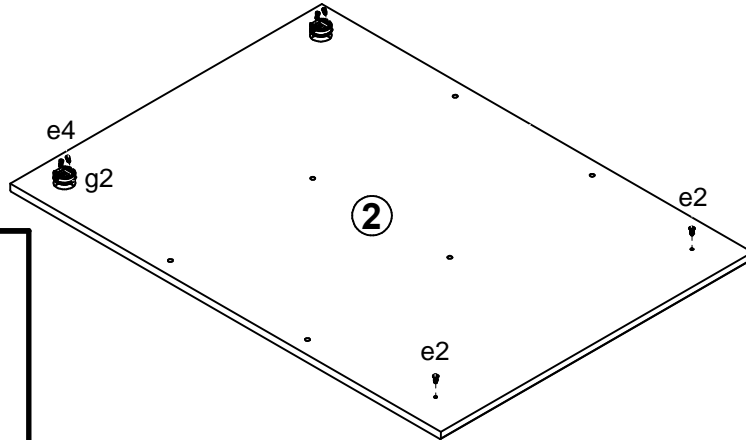


M97-PAN/10/13

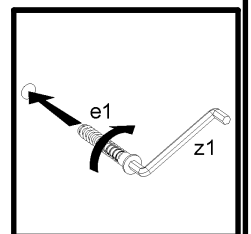
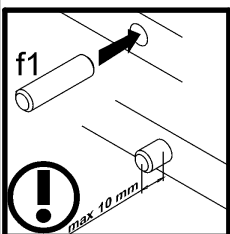
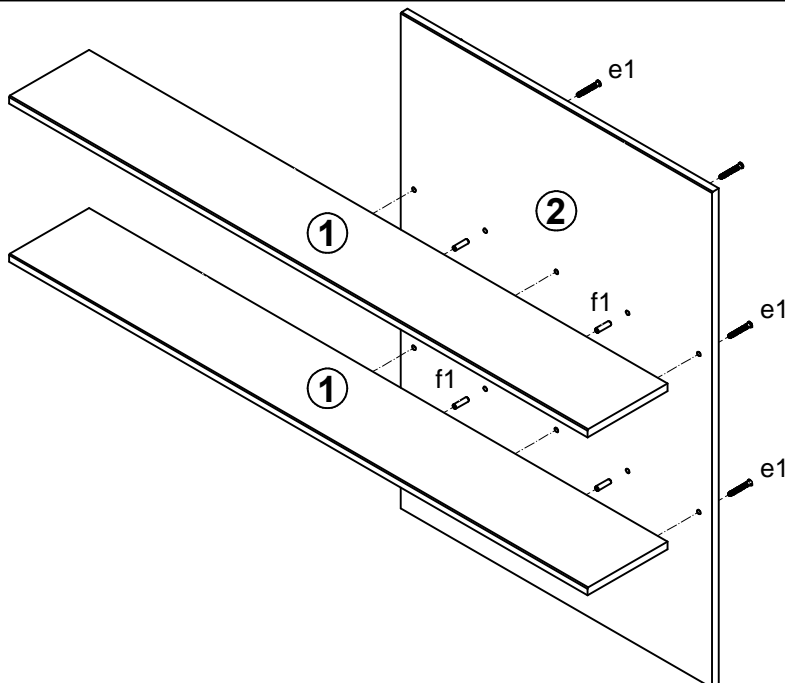
A	B	C	D
1	M97-304	1300	180
2	M97-401	968	700



7 §2



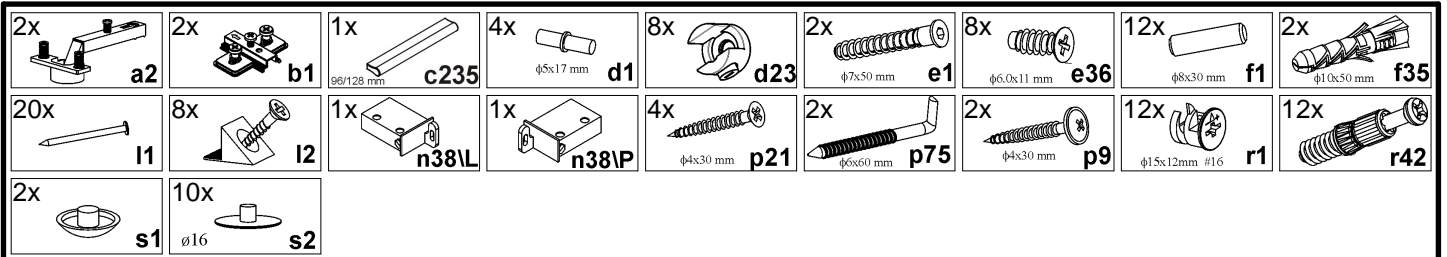
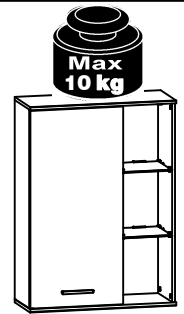
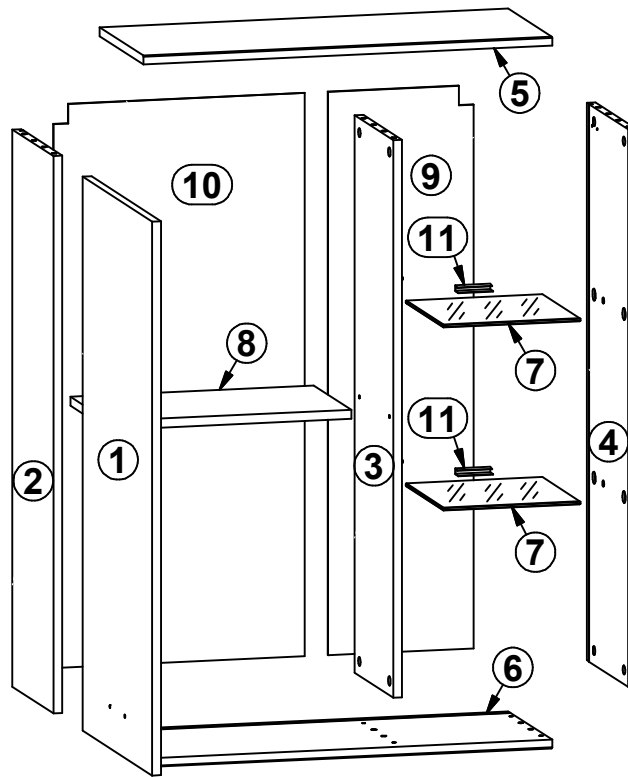
8 §6



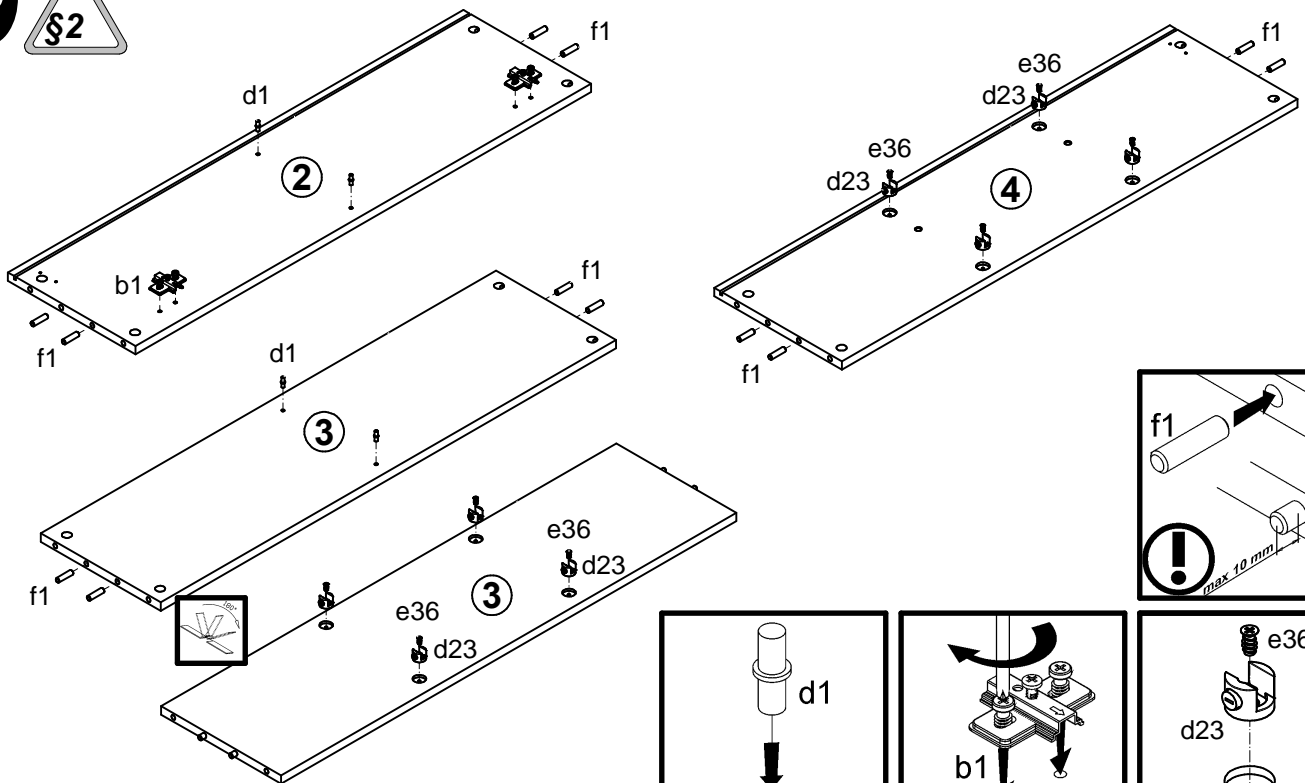


M97-SFW1D/10/7

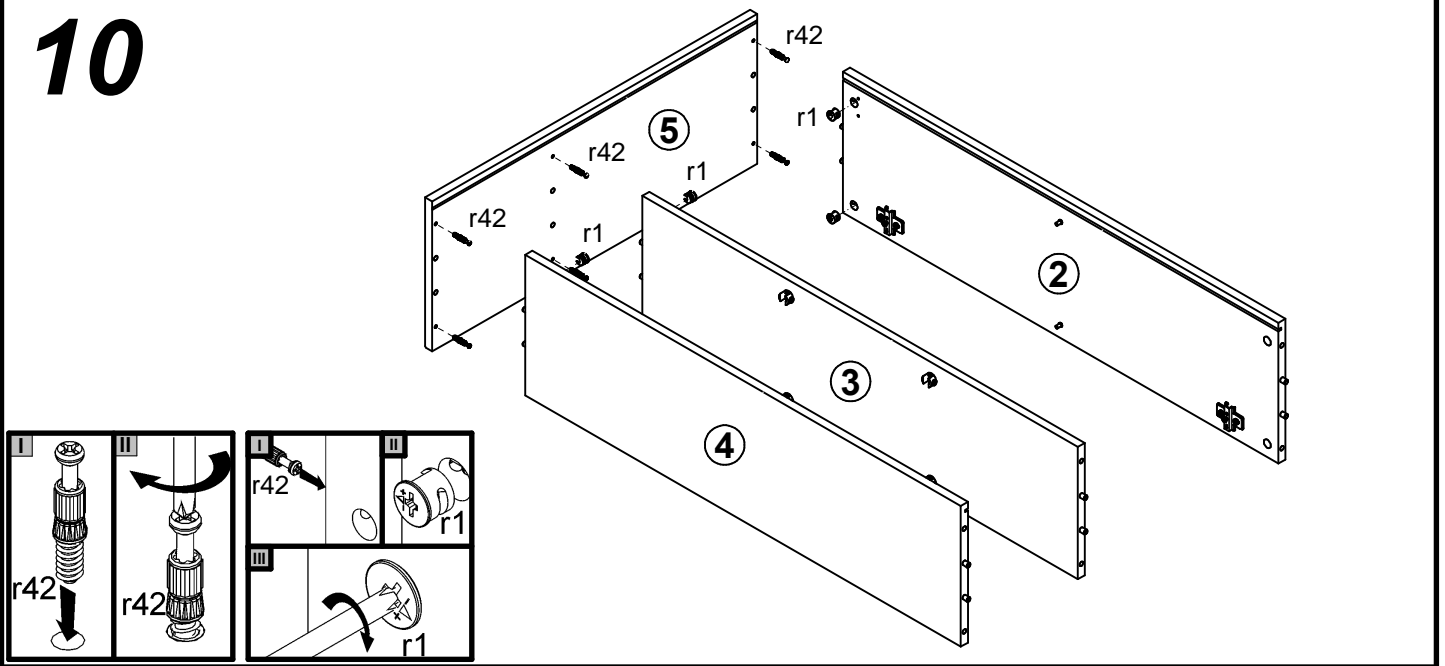
A	B	C	D	
1	M97-001	932	444	2/2
2	M97-101	938	263	2/2
3	M97-102	938	247	2/2
4	M97-103	938	263	2/2
5	M97-201	700	280	2/2
6	M97-202	700	280	1/2
7	M97-301	235	240	2/2
8	M97-302	417	240	2/2
9	M97-901	948	249	2/2
10	M97-902	948	430	2/2
11	qb20\2	LED		2/2



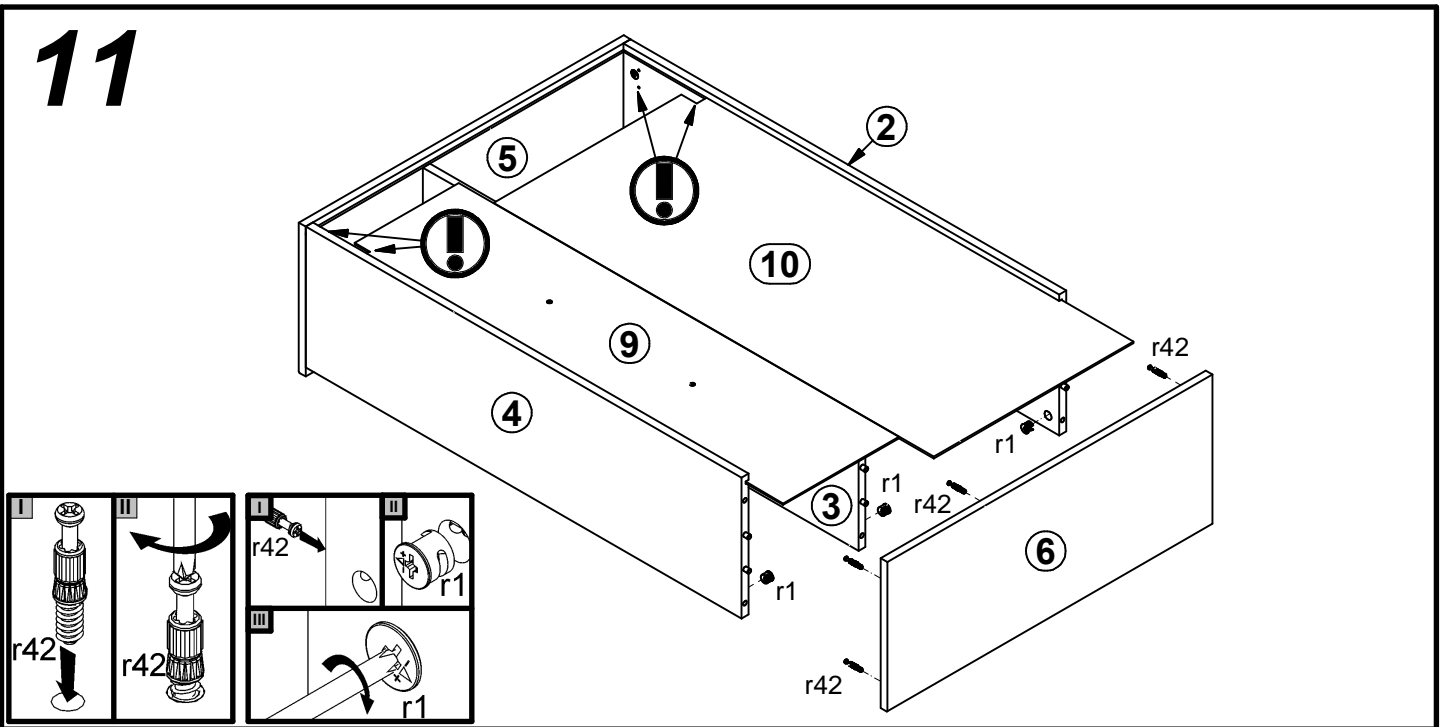
9



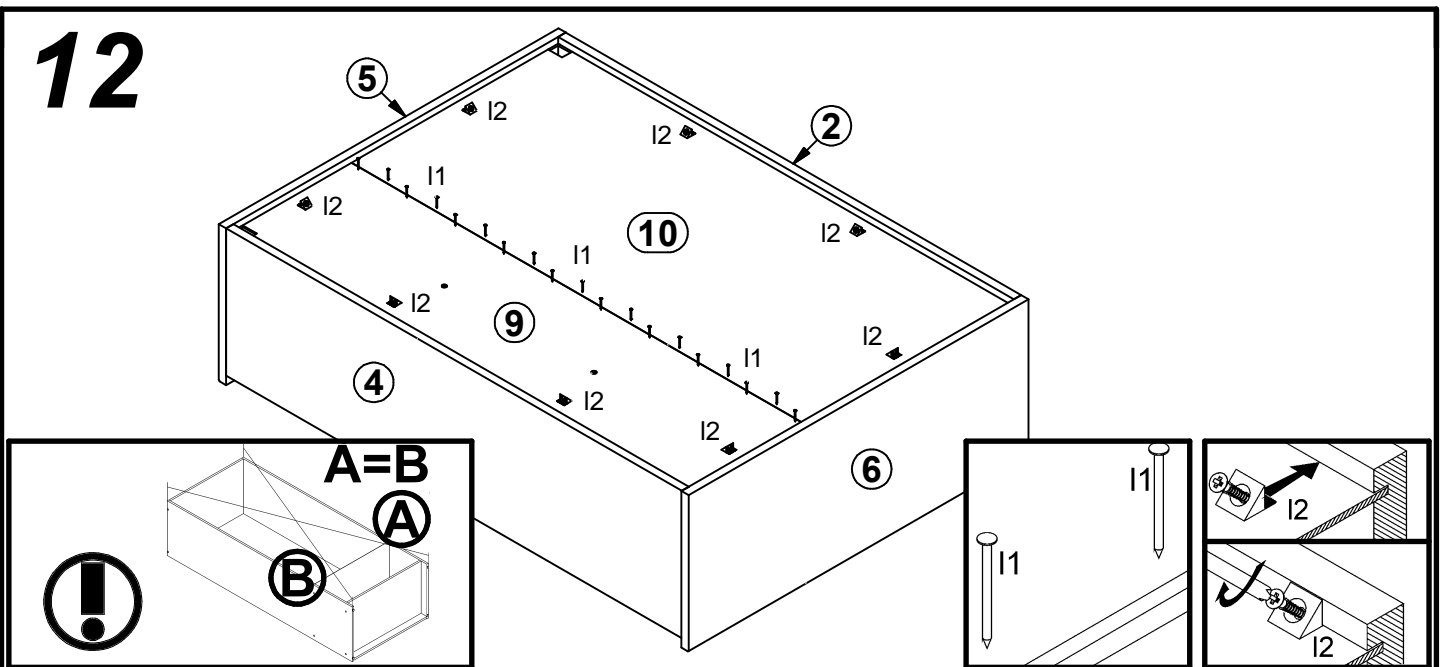
10



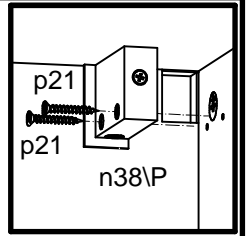
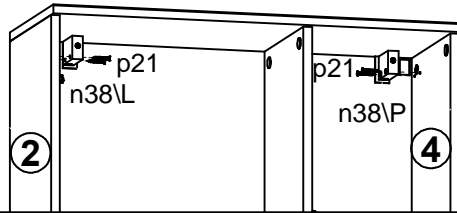
11



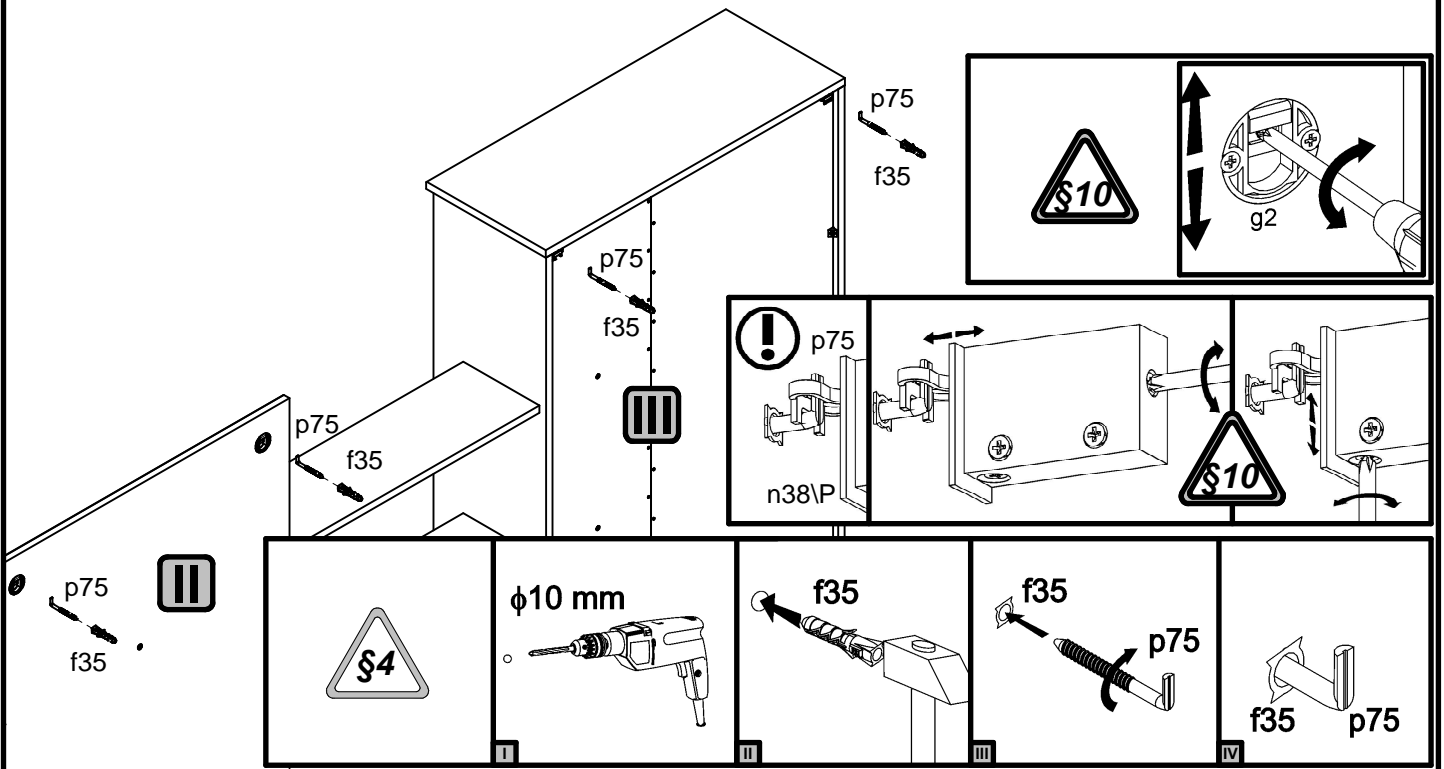
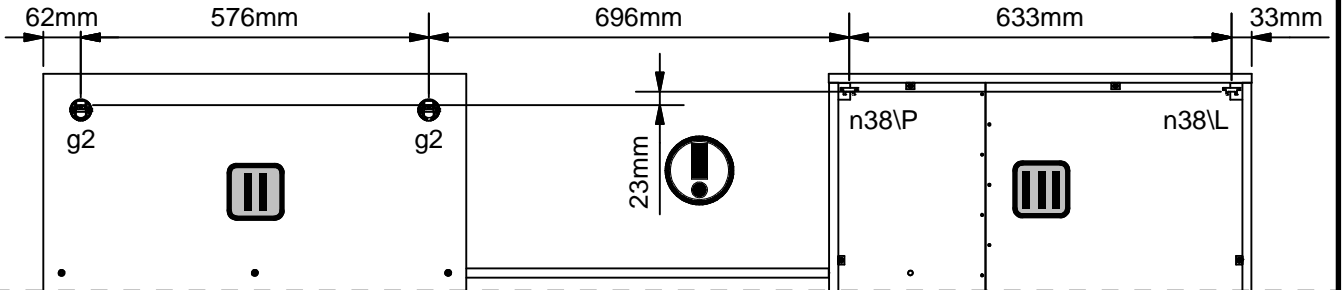
12



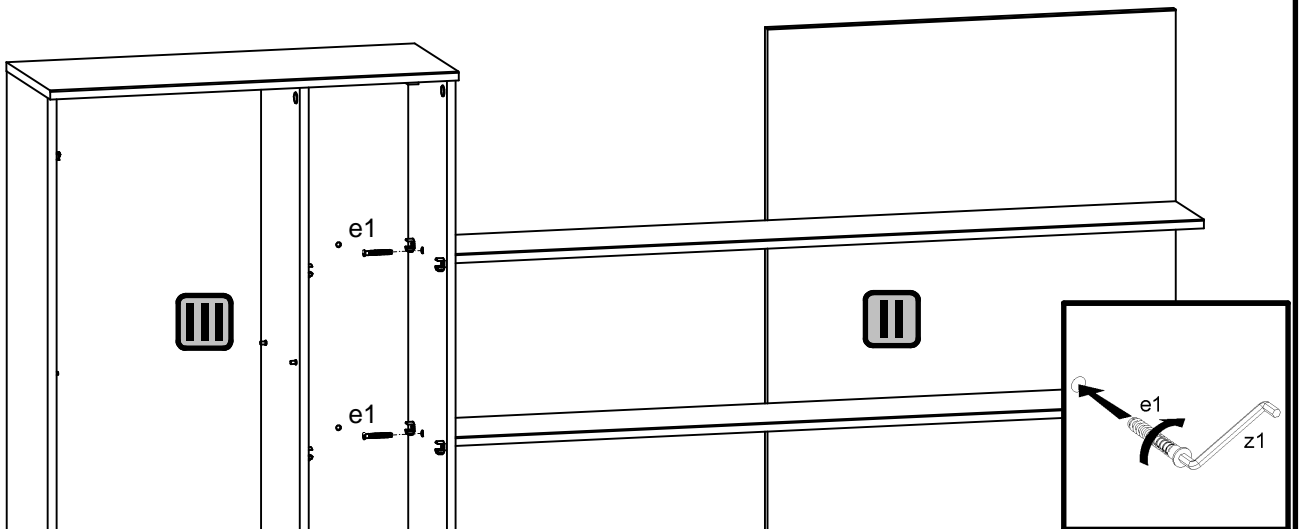
13



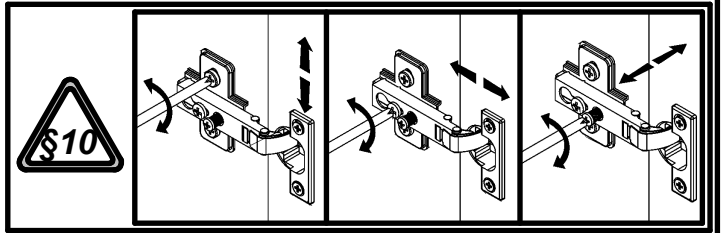
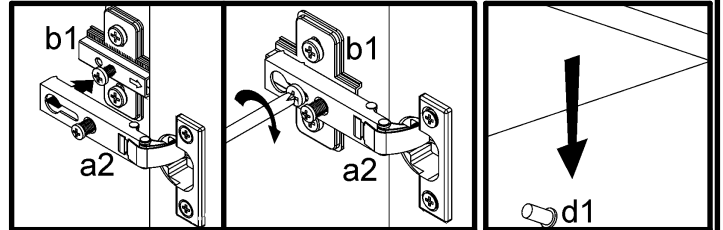
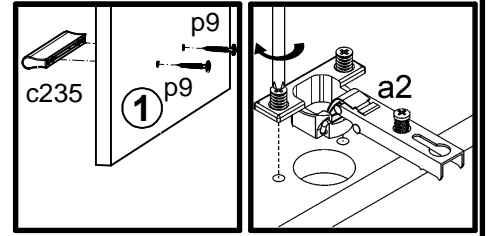
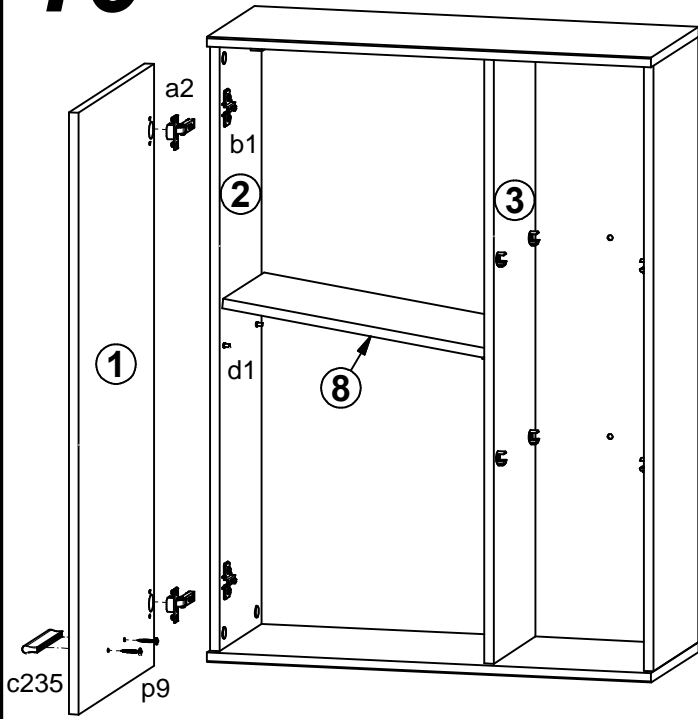
14



15



16



17

