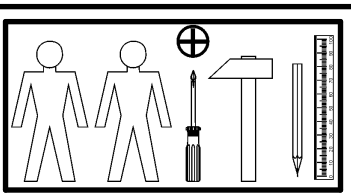
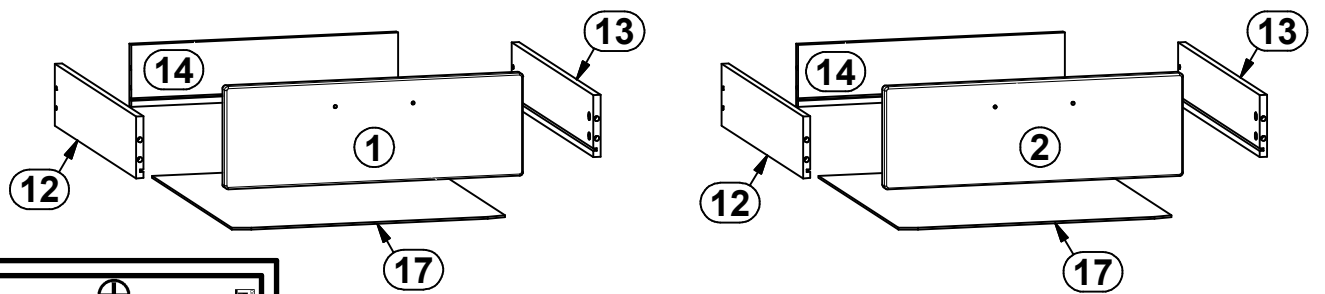
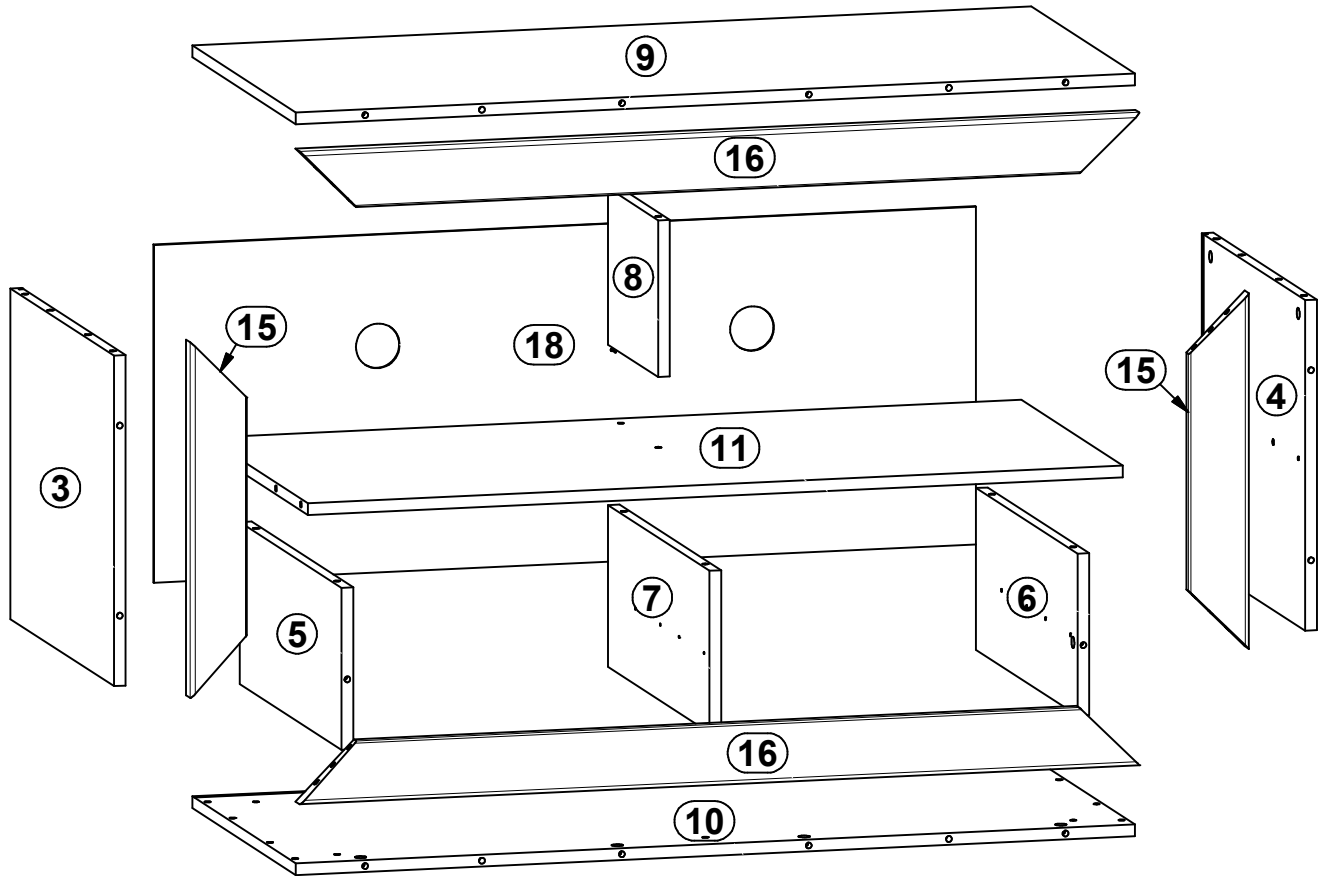
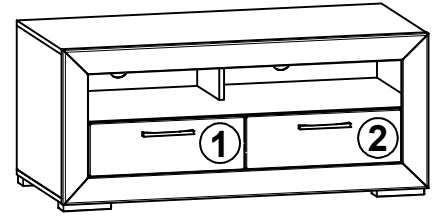
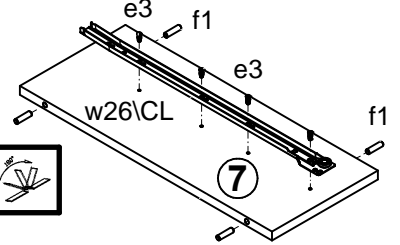
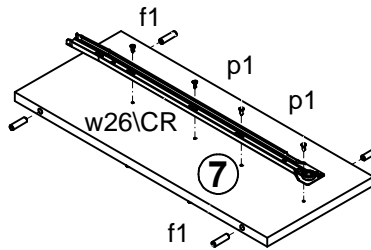
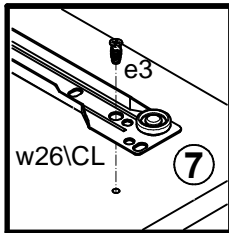
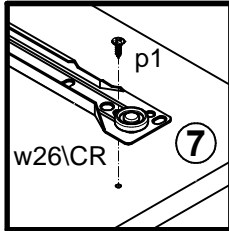
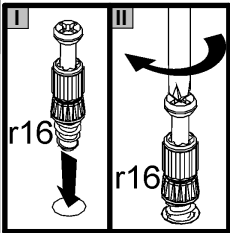
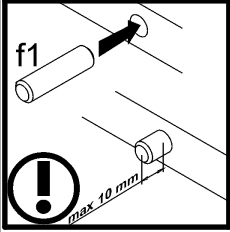
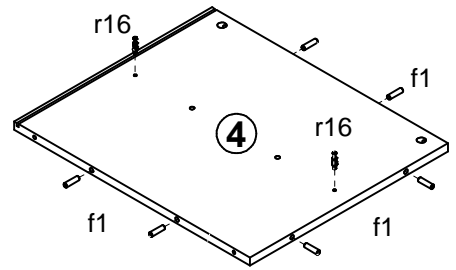
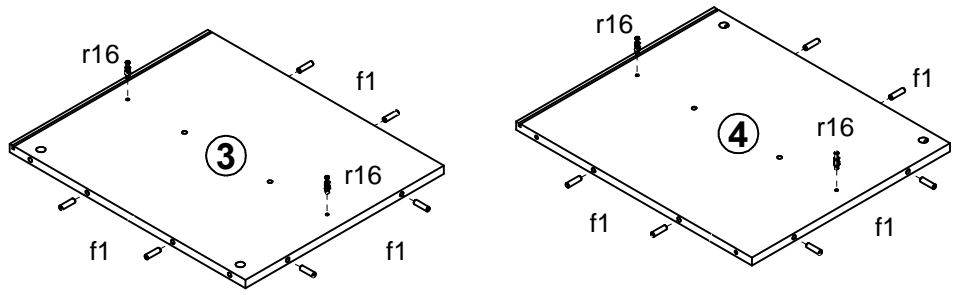


A	B	C	D	A	B	C	D		
1	S125-031	491	166	1/2	10	S125-206	1150	530	1/2
2	S125-032	491	166	1/2	11	S125-304	1117	520	1/2
3	S125-106	445	530	1/2	12	S125-504	500	100	1/2
4	S125-107	445	530	1/2	13	S125-505	500	100	1/2
5	S125-108	218	520	1/2	14	S125-506	439	100	1/2
6	S125-109	218	520	1/2	15	S125-582	479	80	2/2
7	S125-110	218	520	1/2	16	S125-585	1151	80	2/2
8	S125-111	211	257	1/2	17	S125-903	449	498	1/2
9	S125-205	1150	530	1/2	18	S125-904	1127	455	1/2

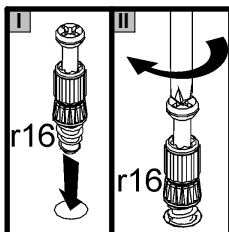
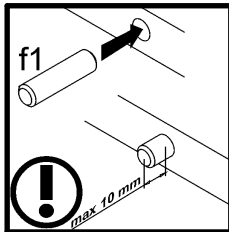
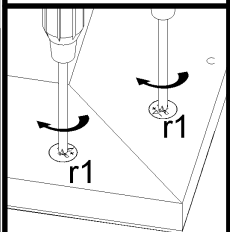
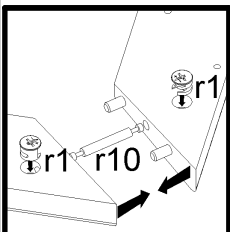
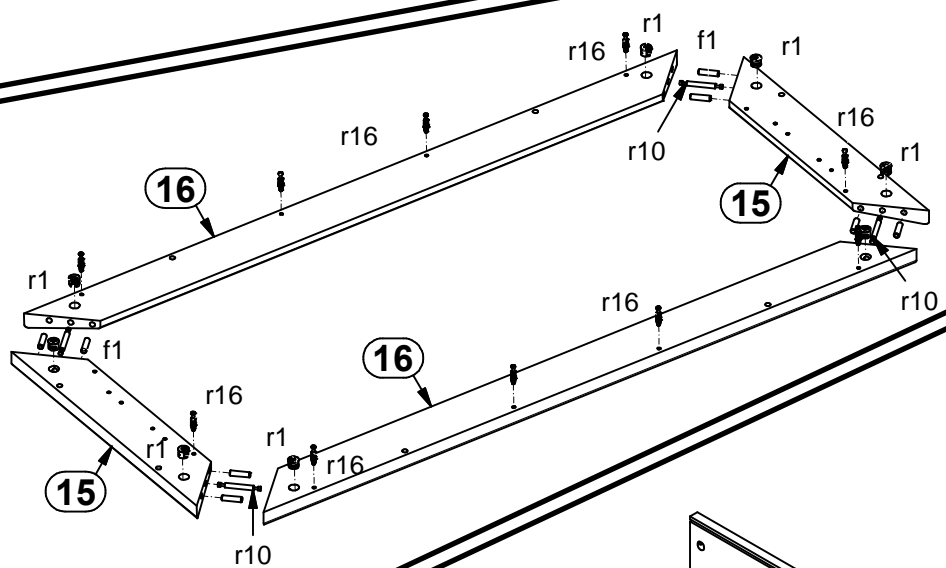


2x c347	4x φ7x50 mm e1	12x φ6x13 mm e3	44x φ8x30 mm f1	8x φ5.5x40 mm f25	4x M4x22 mm j30	2x 151x61x25 mm k54	2x k55	20x l1
4x silikon o21	4x φ3.5x13 mm p1	4x φ4x35 mm p6	6x φ4x30 mm p21	8x φ3x12 mm p54	26x φ1.5x12mm #16 r1	4x r10	8x φ12x10.5mm #12 r15	26x r16
2x 500 mm w26\CL	2x 500 mm w26\CR	2x 500 mm w26\DL	2x 500 mm w26\DR	1x z1				

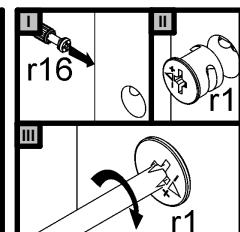
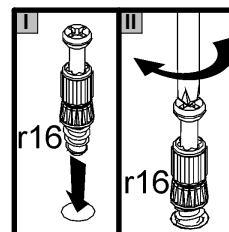
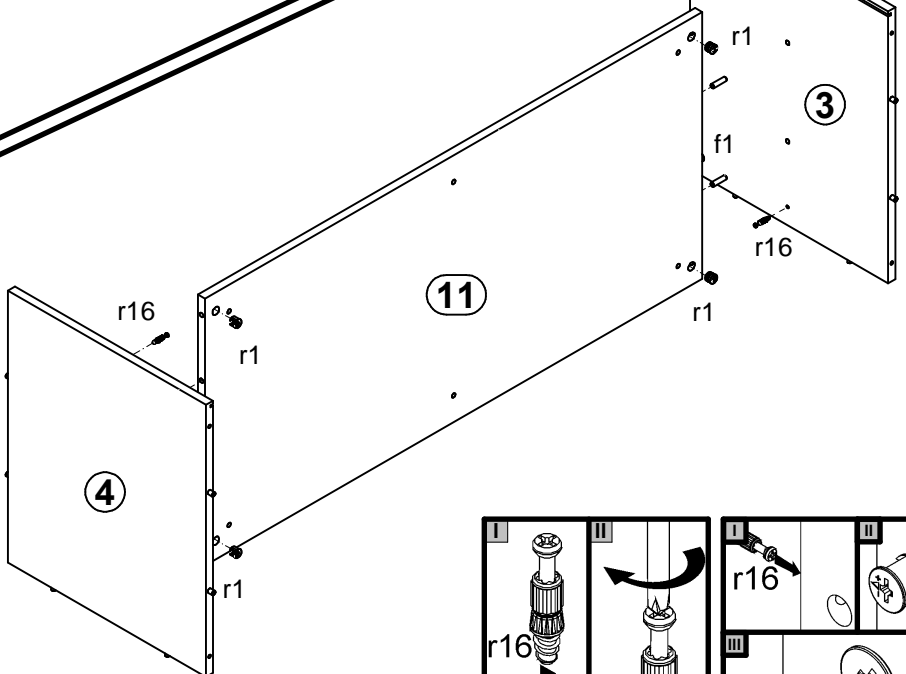
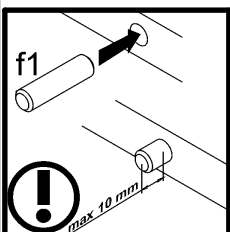
1



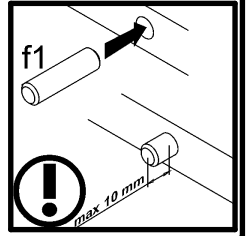
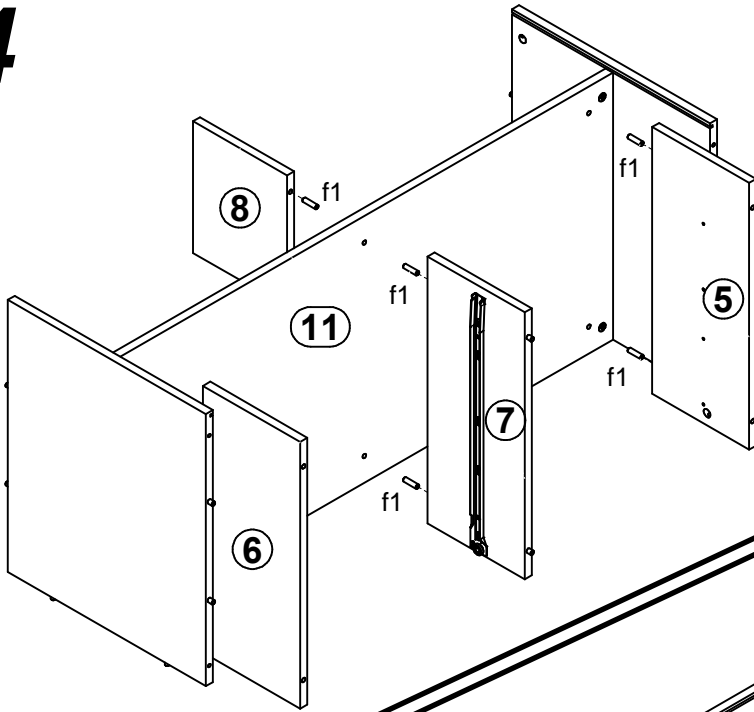
2



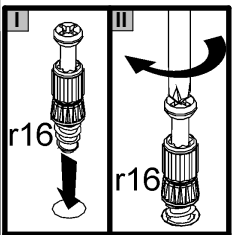
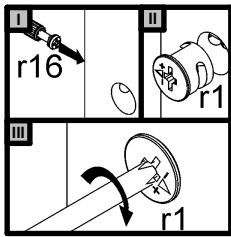
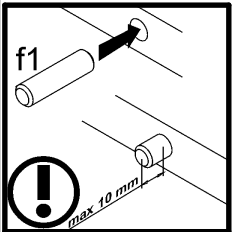
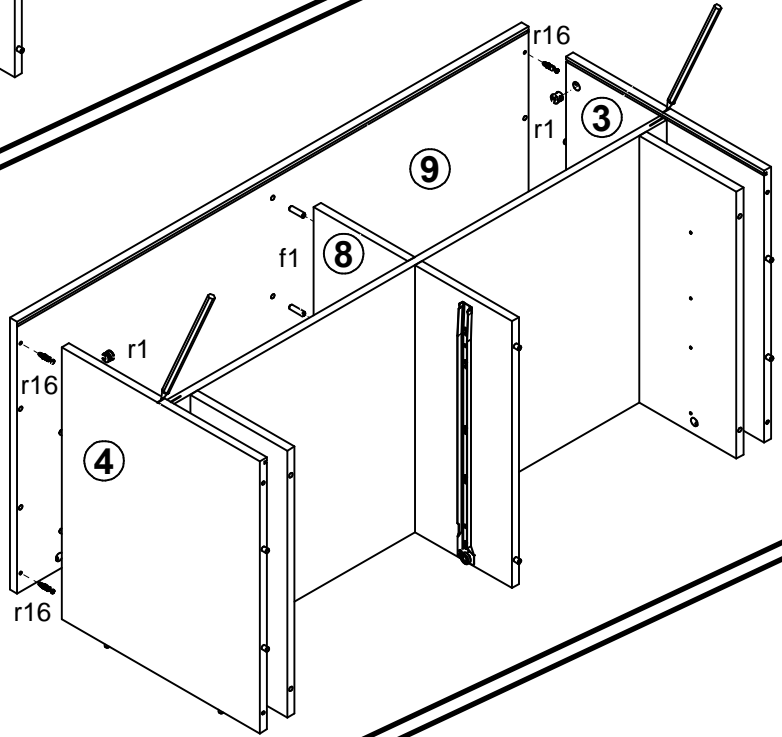
3



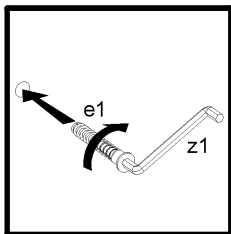
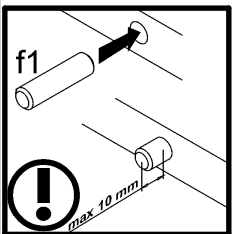
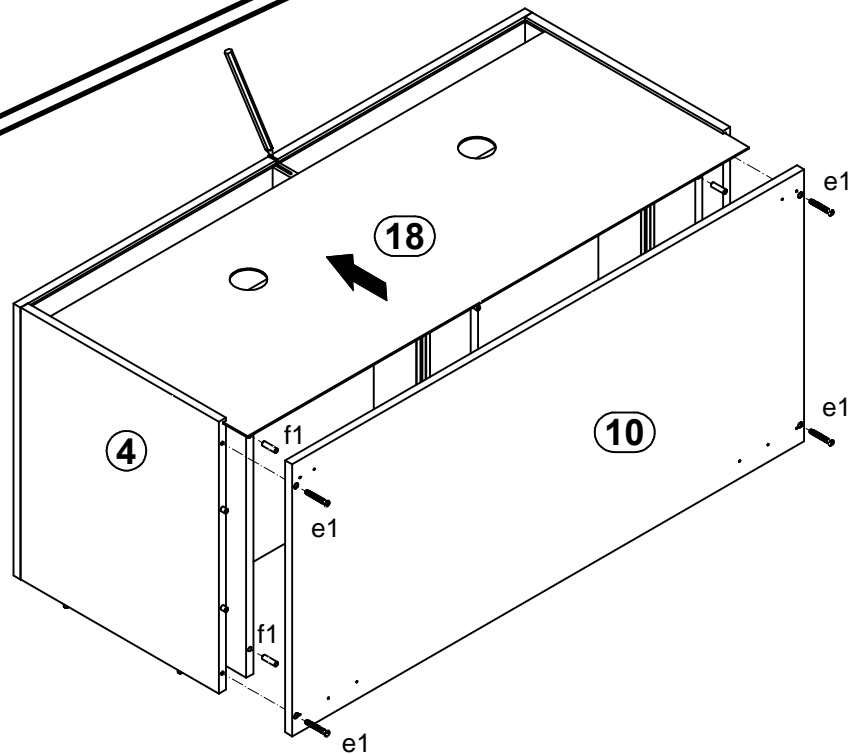
4



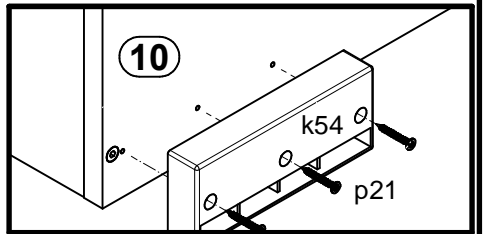
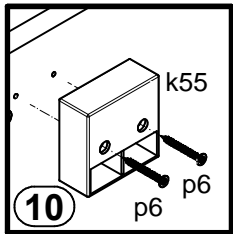
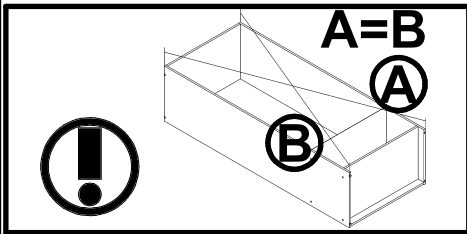
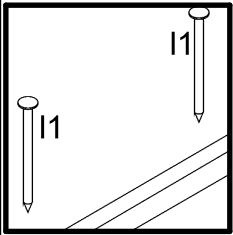
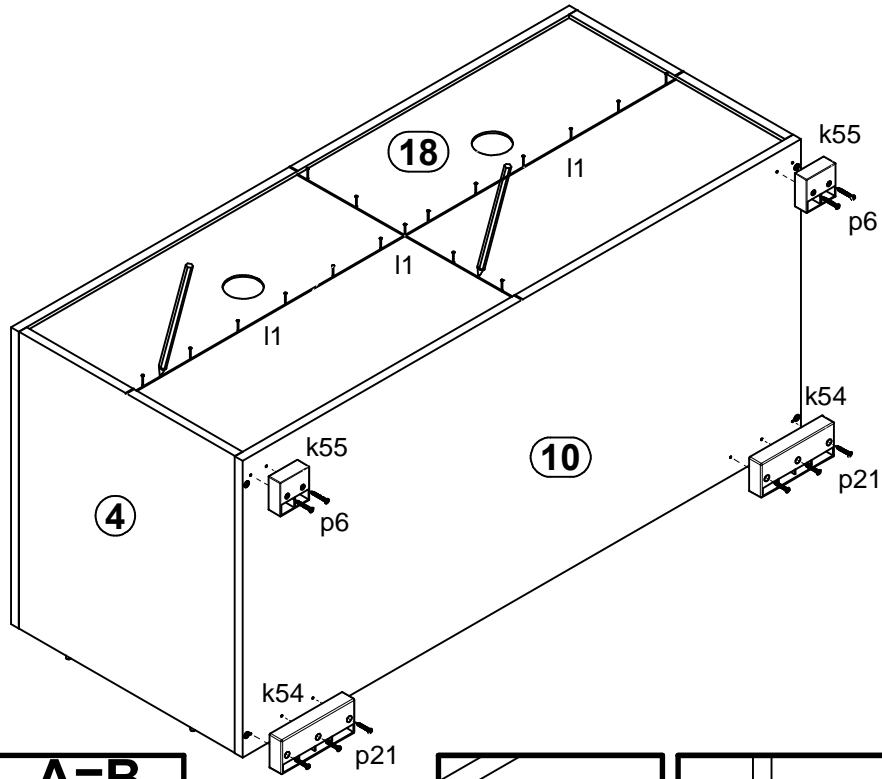
5



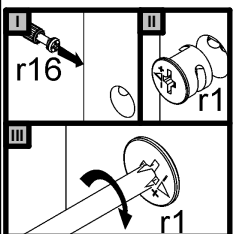
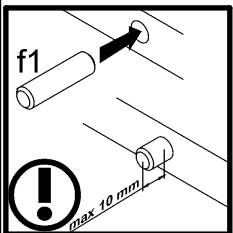
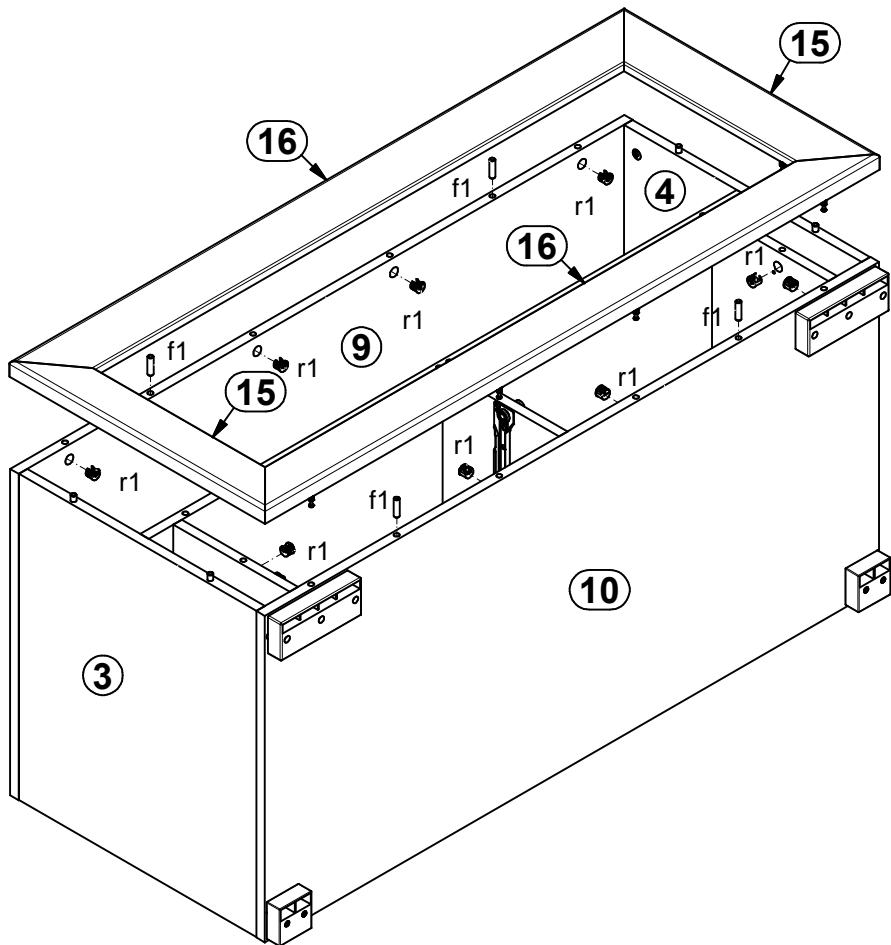
6



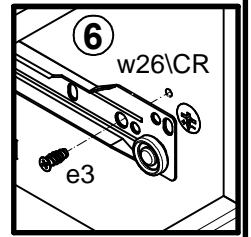
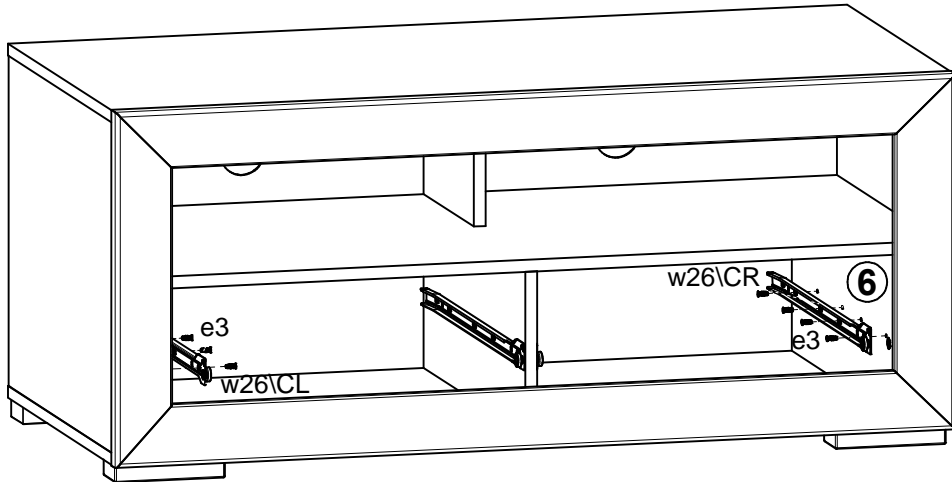
7



8



9



10

