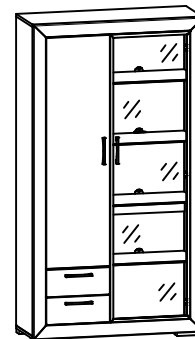
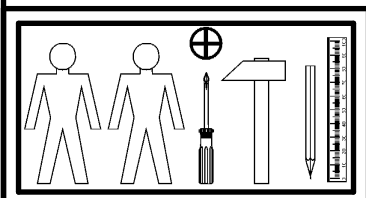
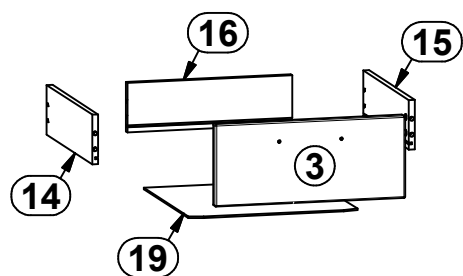
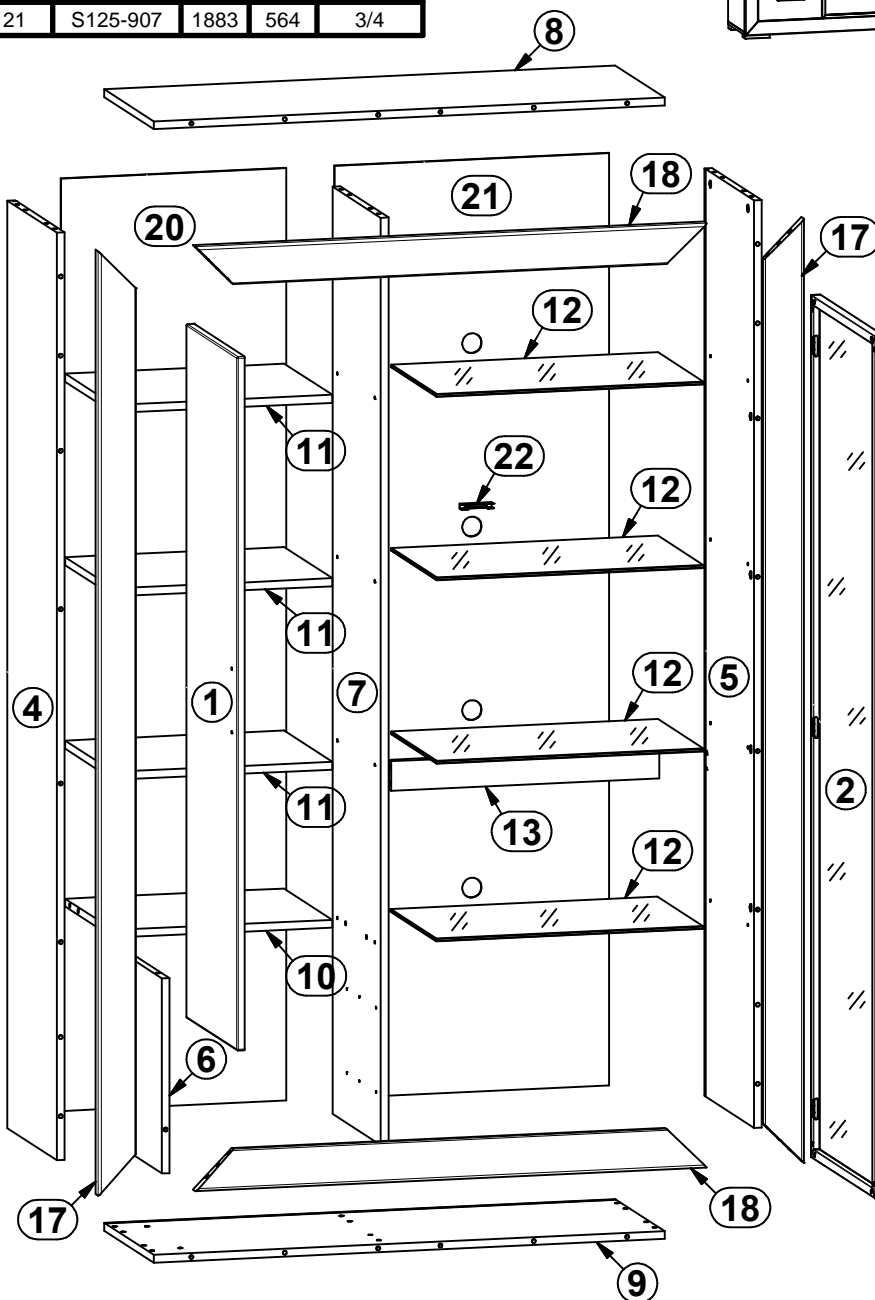


A	B	C	D	A	B	C	D		
1	S125-033	1401	391	2/4	12	S125-308	550	350	2/4
2	S125-034	1741	491	3/4	13	S125-402	551	60	1/4
3	S125-035	391	166	2/4	14	S125-507	350	100	1/4
4	S125-112	1873	380	2/4	15	S125-508	350	100	1/4
5	S125-113	1873	380	2/4	16	S125-509	339	100	1/4
6	S125-114	394	370	1/4	17	S125-578	1907	80	4/4
7	S125-115	1873	370	2/4	18	S125-579	1051	80	4/4
8	S125-207	1050	380	1/4	19	S125-905	348	348	1/4
9	S125-208	1050	380	1/4	20	S125-906	1883	463	3/4
10	S125-305	450	370	1/4	21	S125-907	1883	564	3/4
11	S125-307	450	370	1/4					

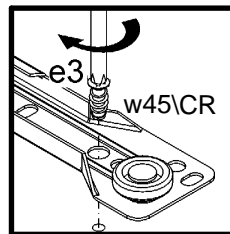
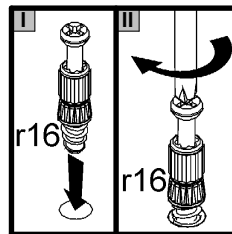
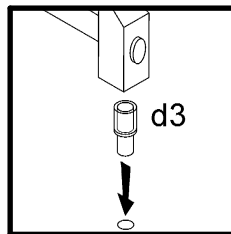
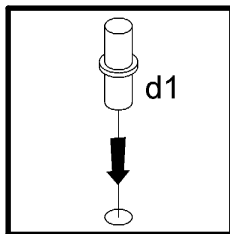
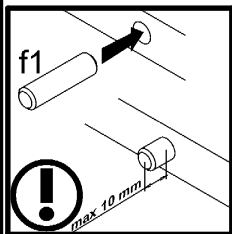
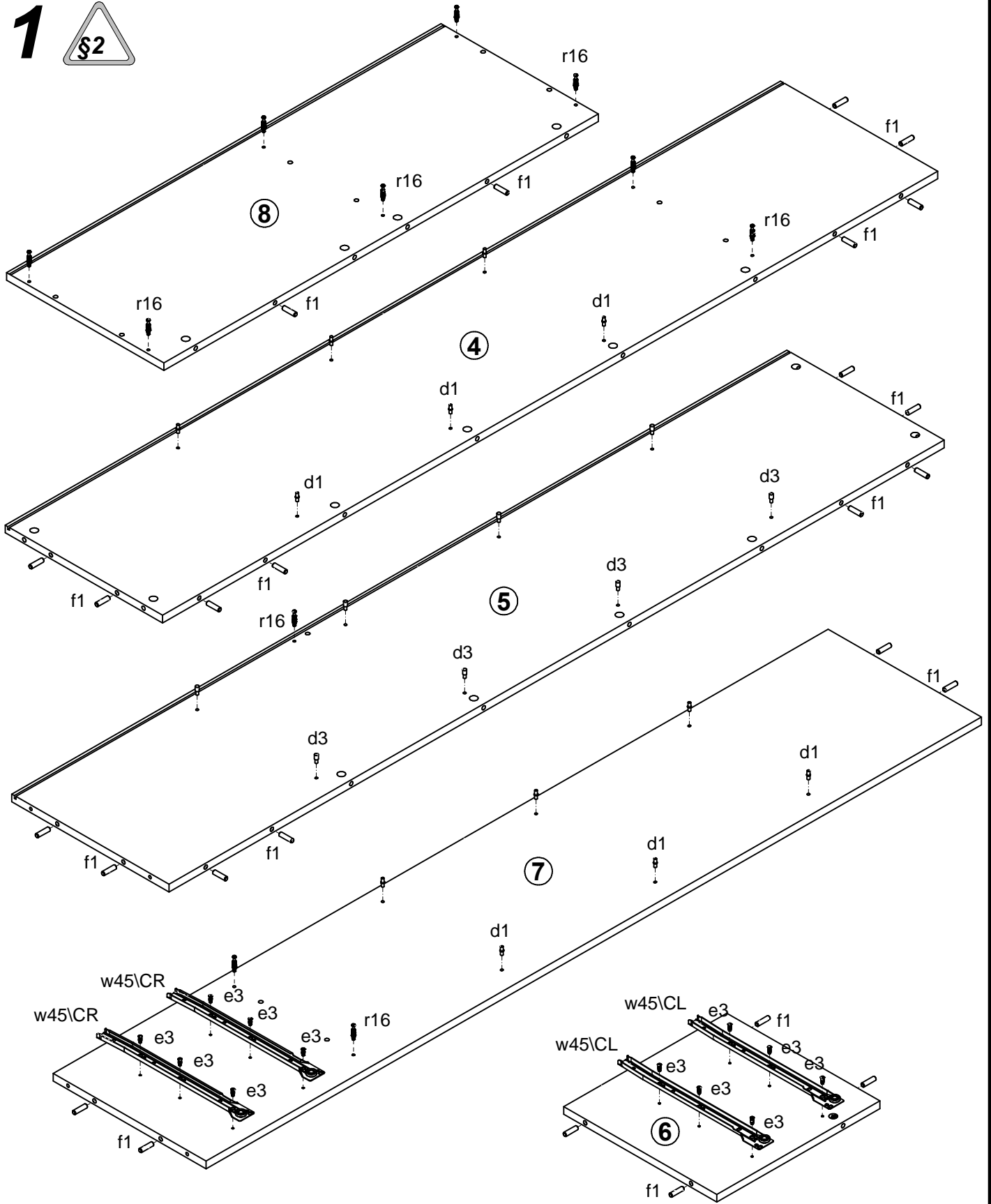


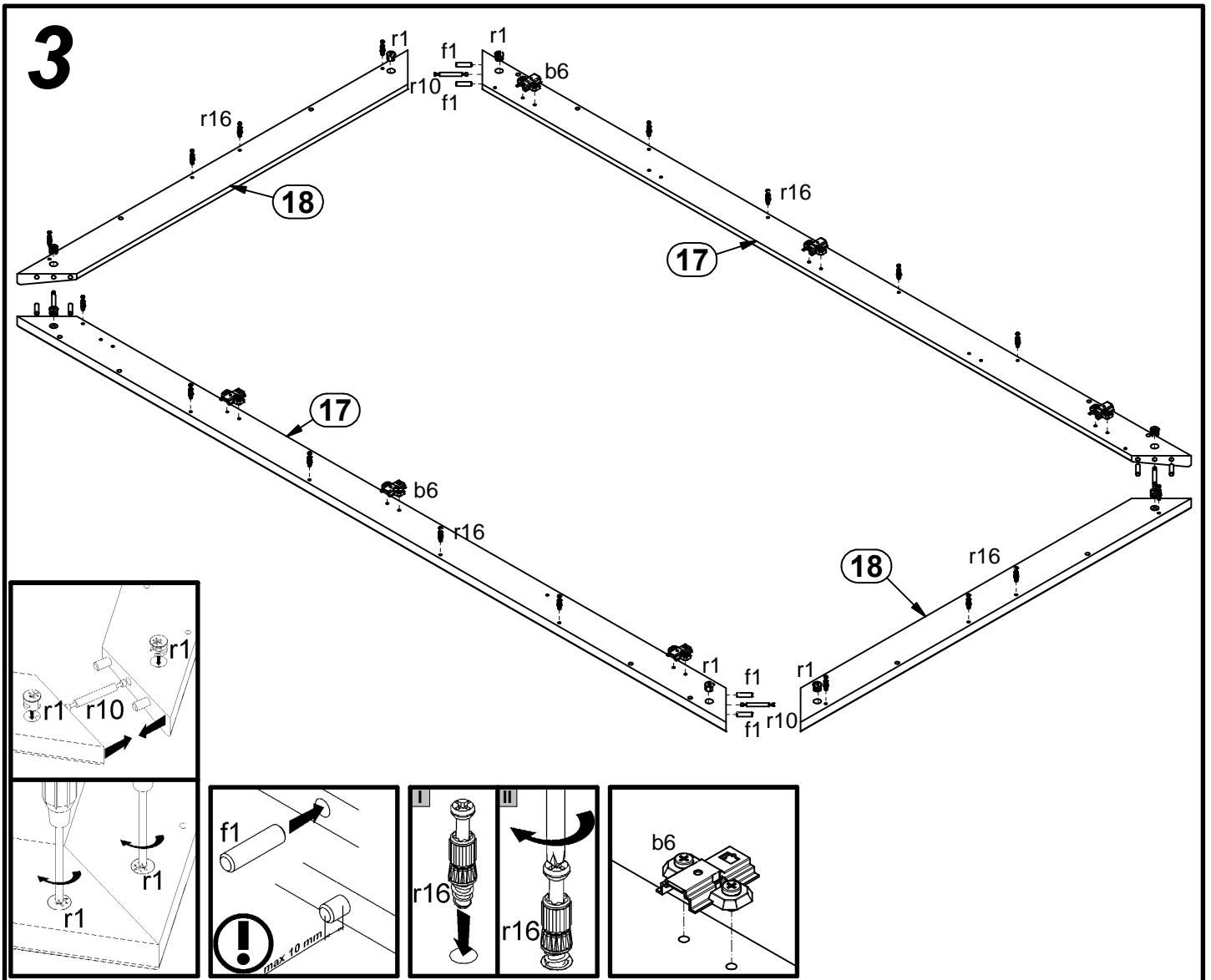
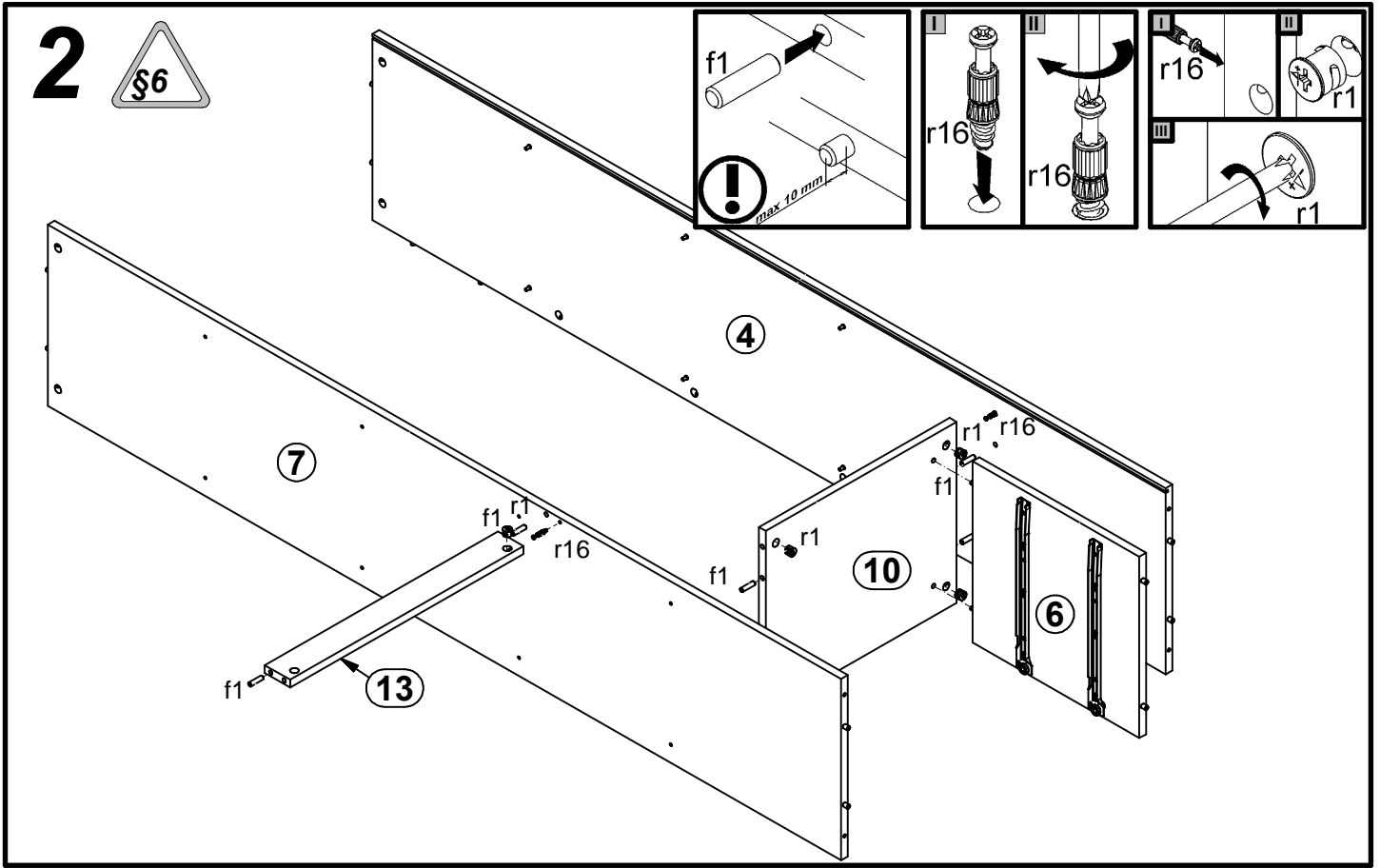
A	B	C	D
22	qa70\4	LED	1/1

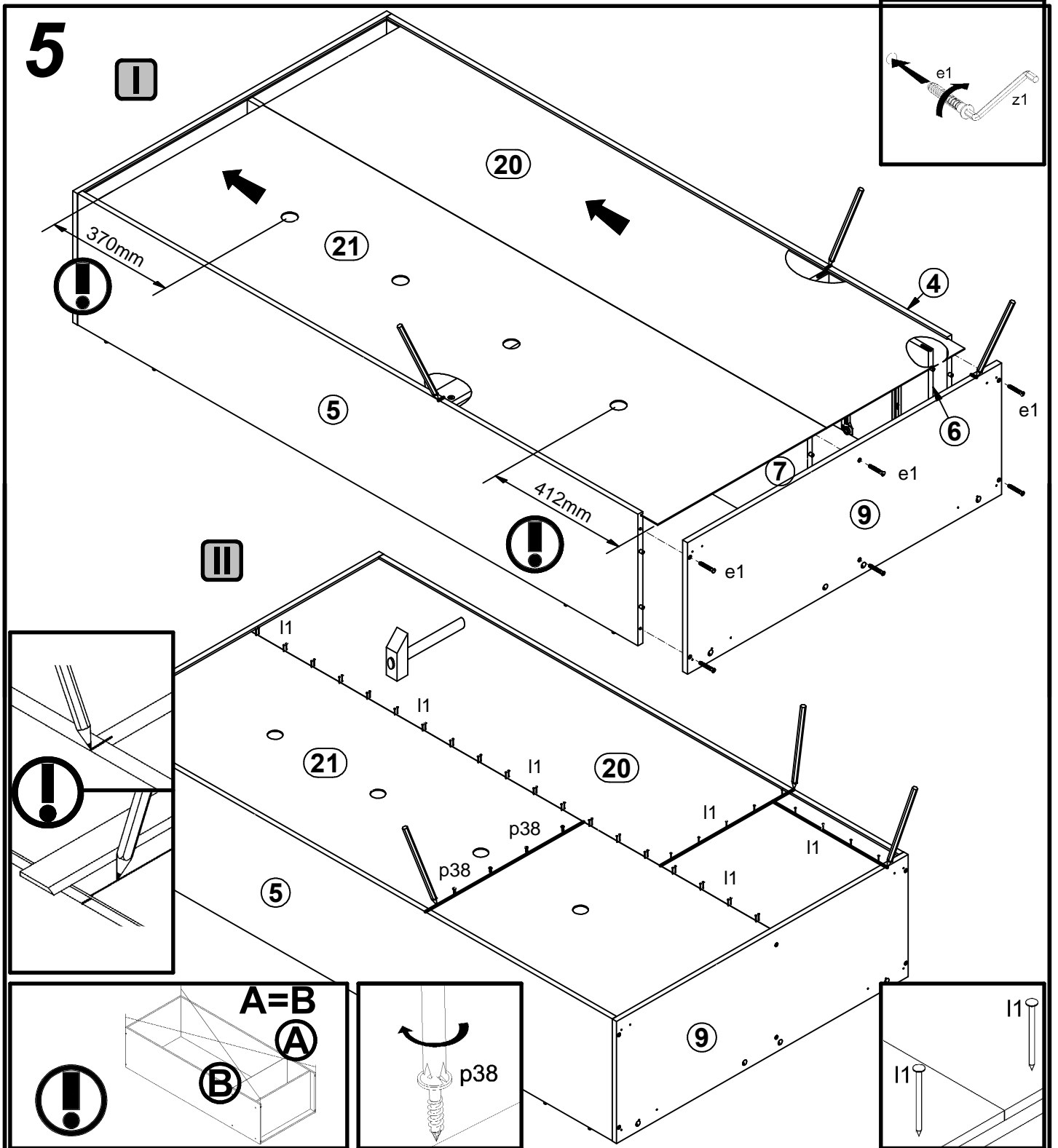
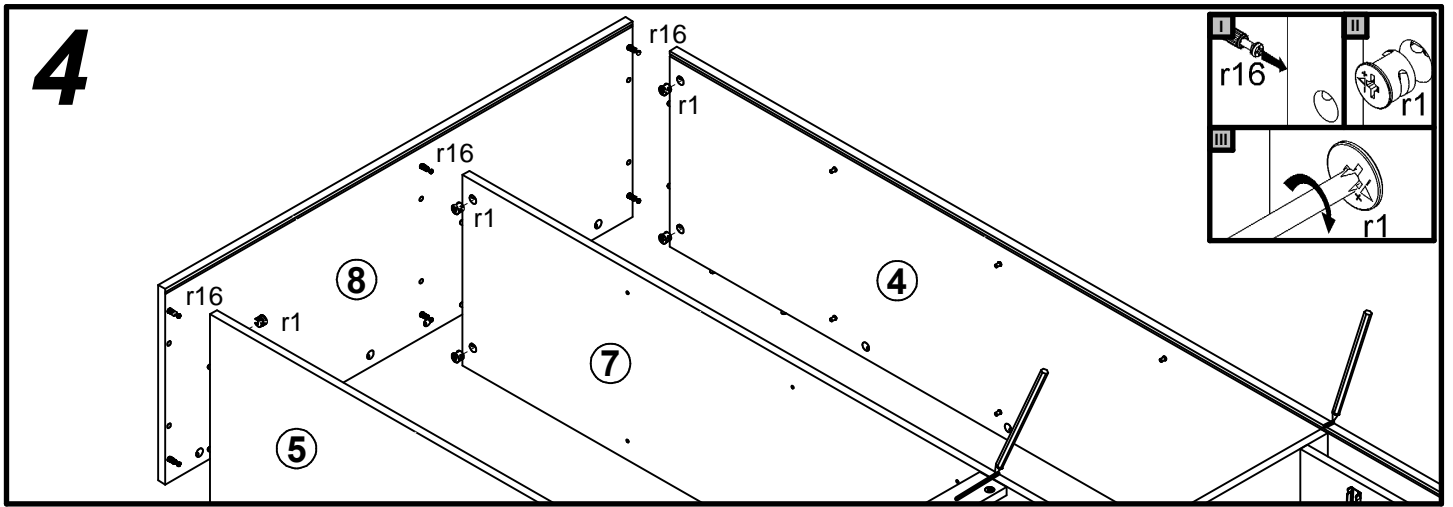


3x a56	3x a57	6x b6	4x c347	12x d1 φ5x17 mm	16x d3 φ5x17 mm	6x e1 φ7x50 mm	12x e3 φ6x13 mm	42x f1 φ8x30 mm
8x f25 φ6.5x40 mm	2x j2 M4x9 mm	6x j30 M4x22 mm	2x k54 151x61x25 mm	2x k55	50x l1	8x o21 silikon	2x o27 φ6.5φ10x5.2mm	6x p21 φ4x30 mm
4x p38 φ3.5x16 mm	6x p44 φ3.5x9.5 mm	6x p51 φ3.5x15 mm	8x p54 φ3x12 mm	4x p6 φ4x35 mm	37x r1 φ1.5x12mm #16	4x r10	8x r15 φ12x10.5mm #12	37 r16
10x s2 ø16	4x s53	2x w45\CL 350 mm	2x w45\CR 350 mm	2x w45\DL 350 mm	2x w45\DR 350 mm	1x z1	1x n26\1	1x p38 φ3.5x16 mm

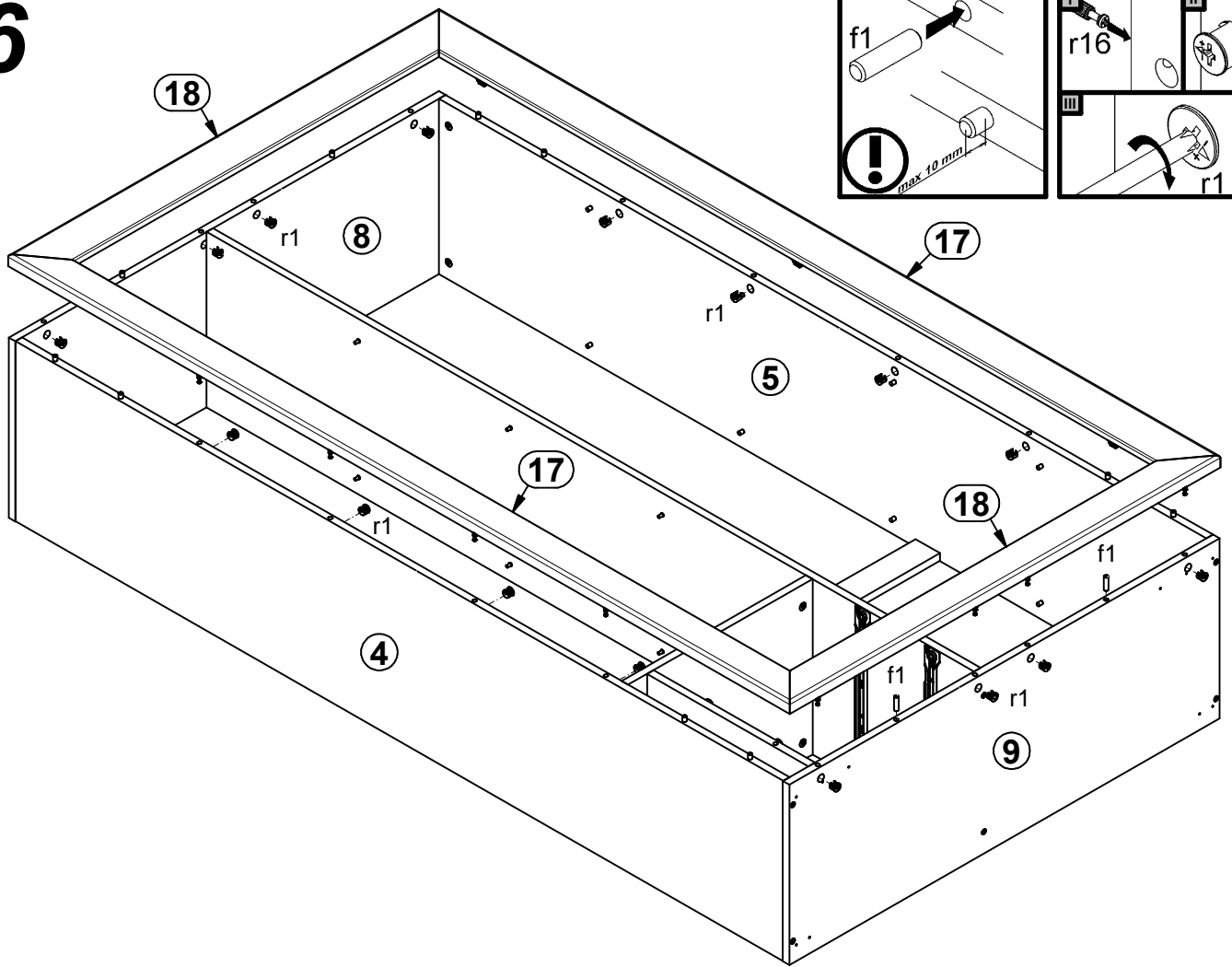
1



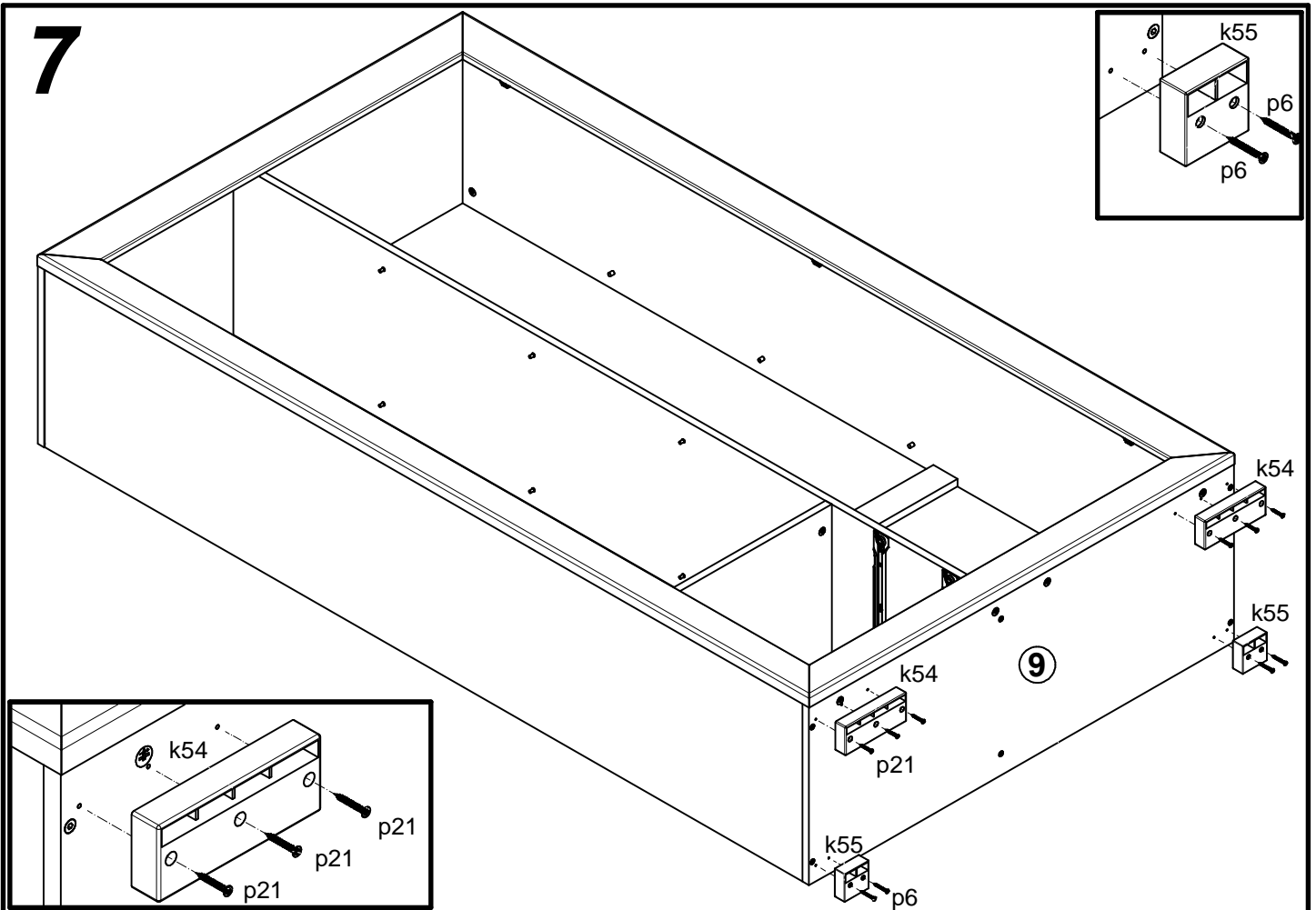


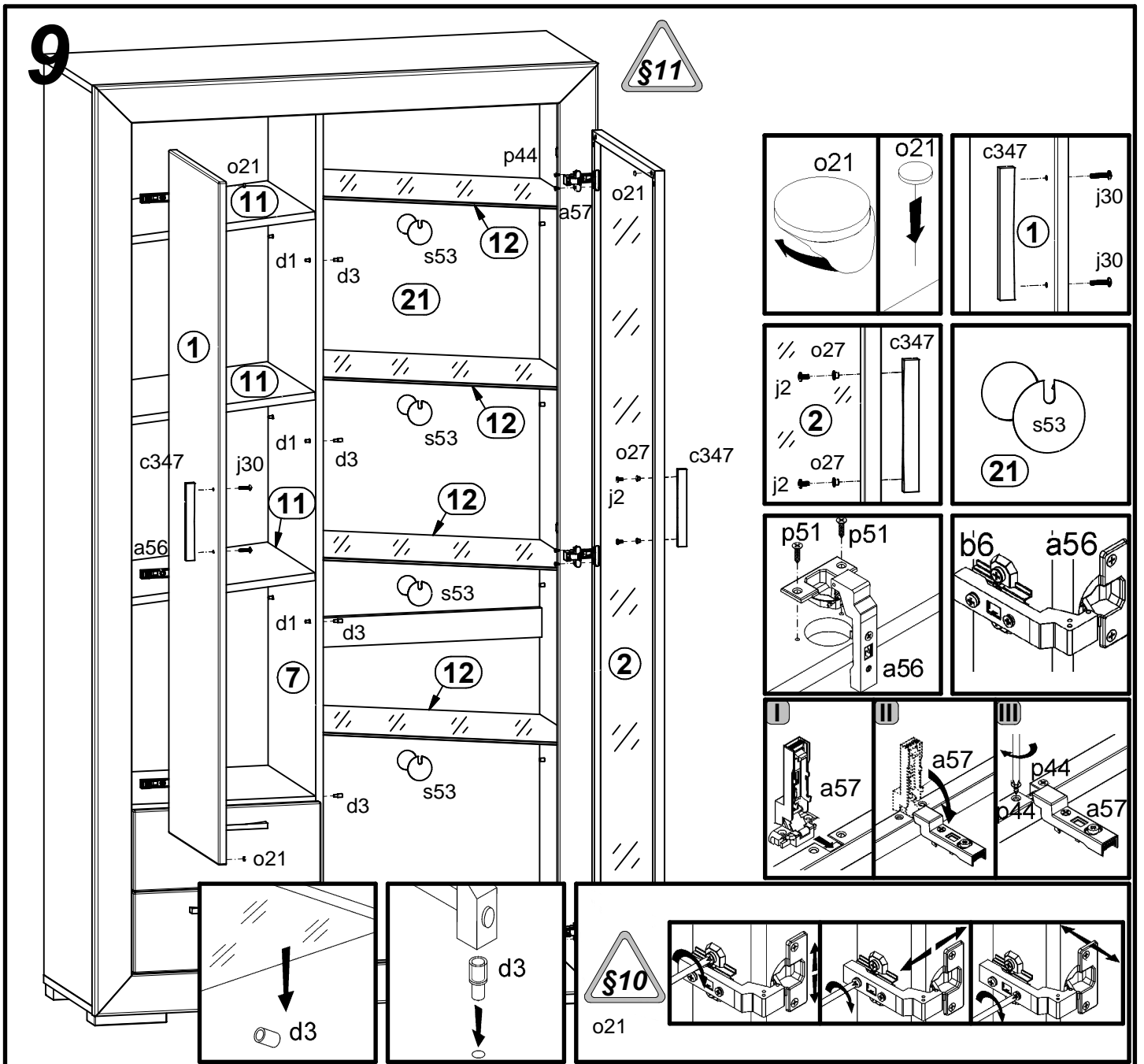
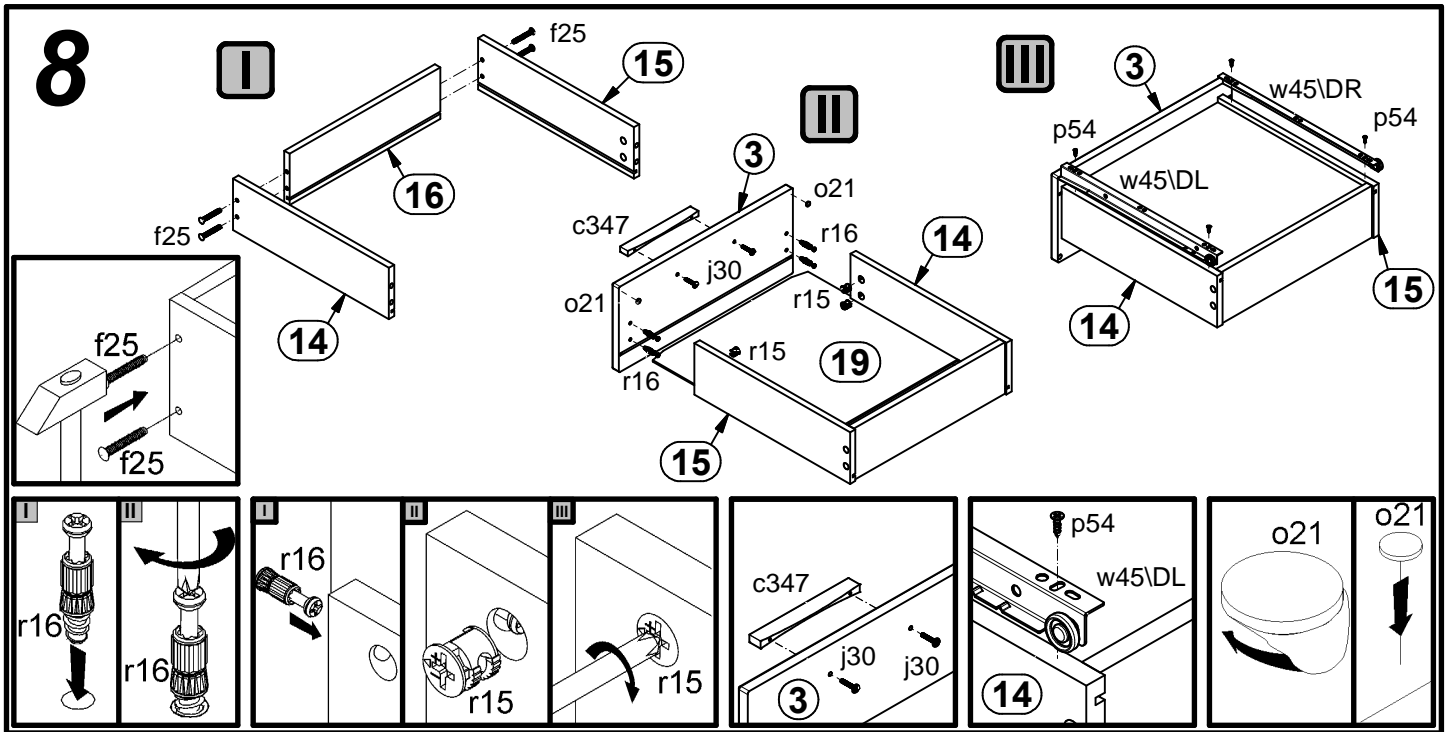


6



7





10

