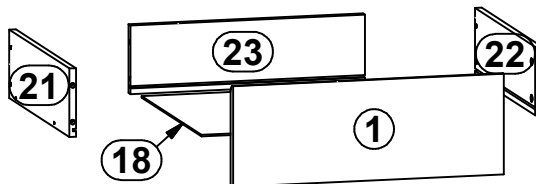
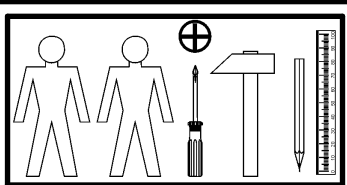
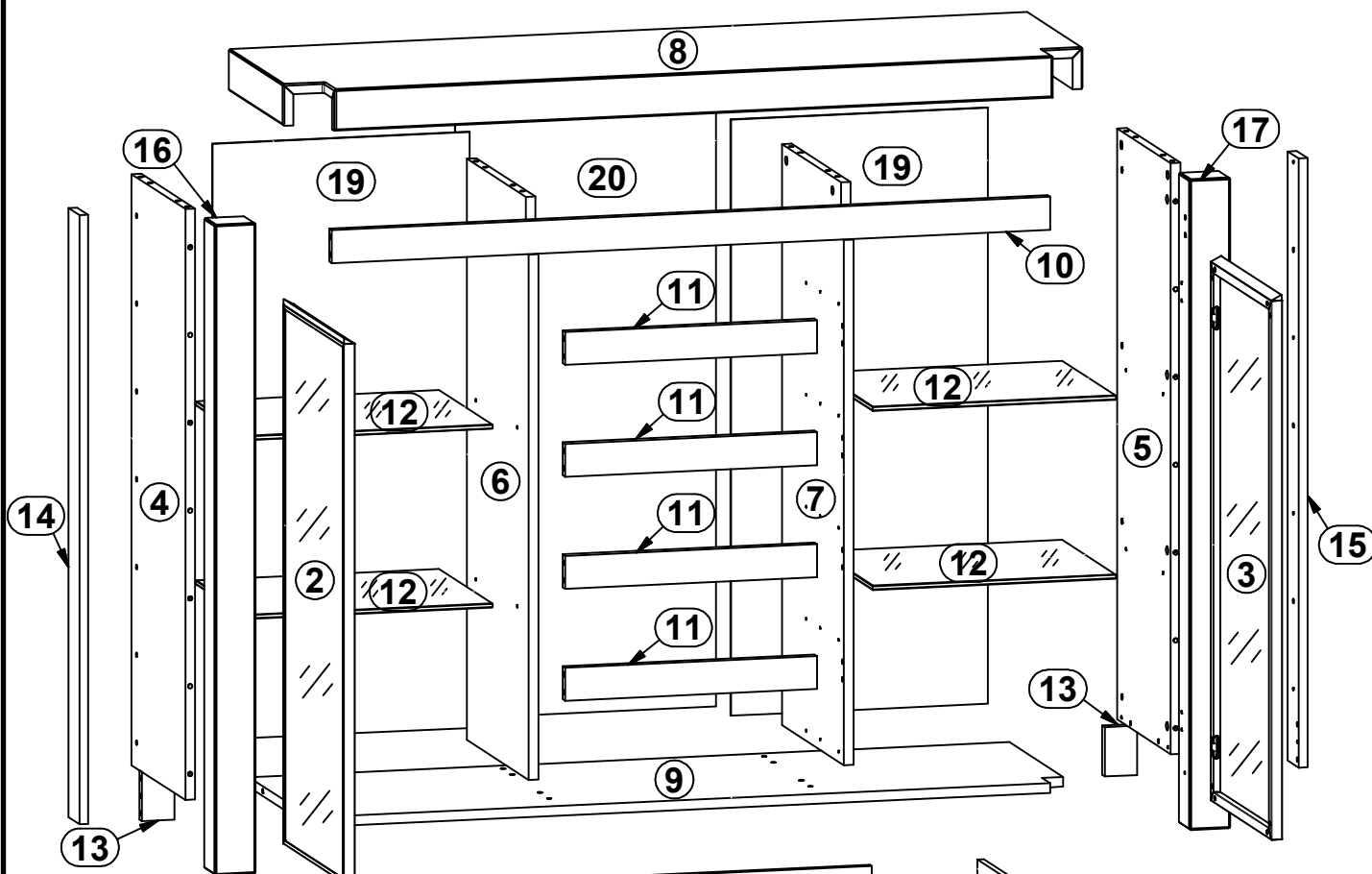
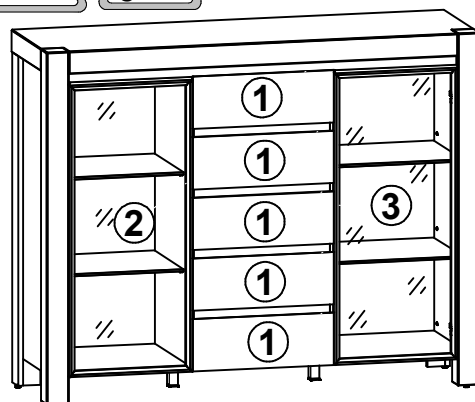
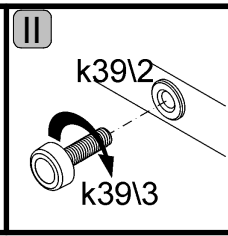
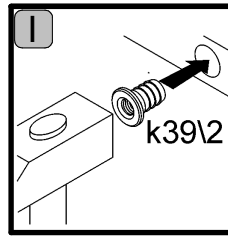
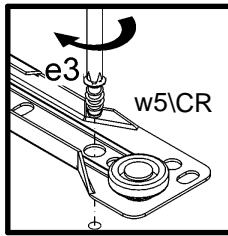
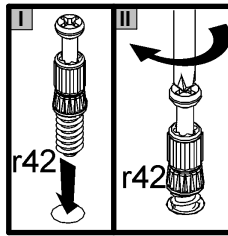
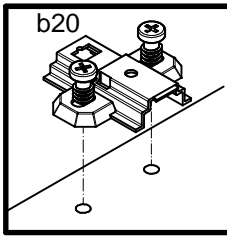
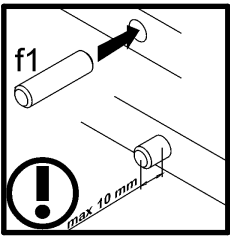
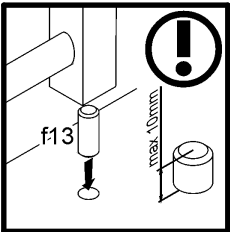
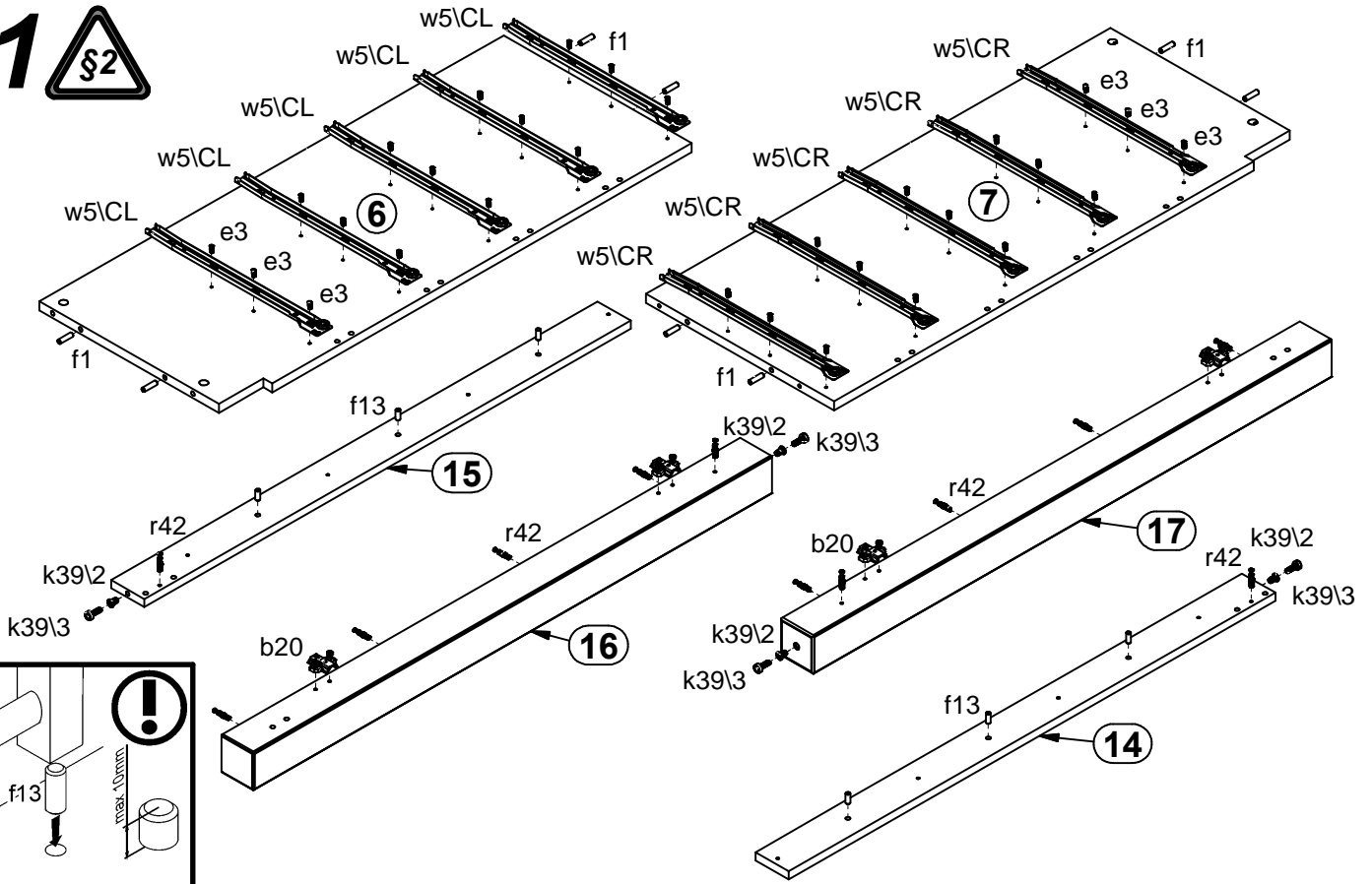


A	B	C	D	A	B	C	D
1	S83-009	482	176	6/6	13	S83-575	90 60 4/6
2	S83-055	992	420	5/6	14	S83-588	1110 76 4/6
3	S83-056	992	420	5/6	15	S83-589	1110 76 4/6
4	S83-114	1077	372	1/6	16	S83-590	1186 76 4/6
5	S83-115	1077	372	1/6	17	S83-591	1186 76 4/6
6	S83-116	1059	429	1/6	18	S83-904	429 398 1/6
7	S83-117	1059	429	1/6	19	S83-908	1086 477 1/6
8	S83-202	1485	452	2/6	20	S83-909	1086 484 1/6
9	S83-302	1411	429	2/6	21	ZS1-517	400 120 1/6
10	S83-402	1333	60	2/6	22	ZS1-518	400 120 1/6
11	S83-403	467	60	2/6	23	ZS1-6524	418 120 1/6
12	S83-559	452	370	3/6			

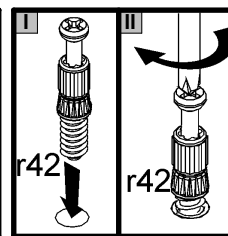
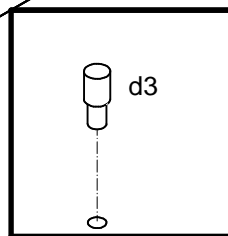
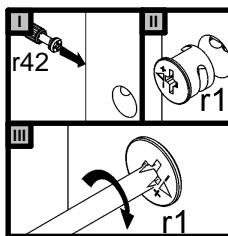
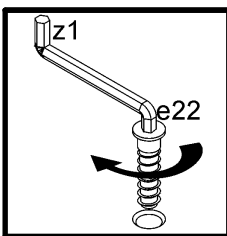
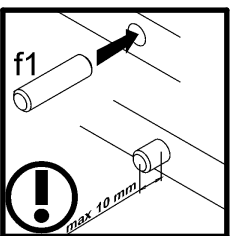
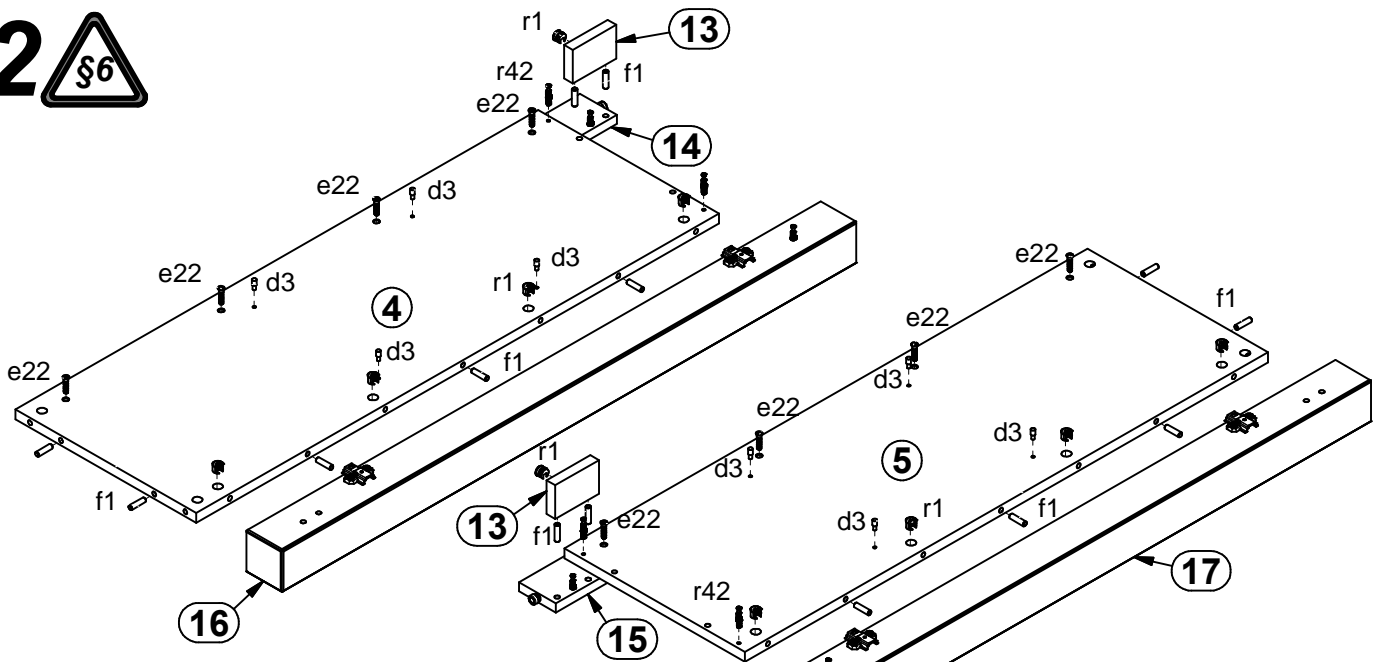


4x  a61	4x  b20	16x  d3 φ8x17 mm	4x  e1 φ7x50 mm	20x  e19 φ8x9 mm	2x  e2 φ6,3x13 mm	8x  e22 φ7x28 mm	30x  e3 φ6x13 mm	46x  f1 φ8x30 mm
6x  f13 φ8x20 mm	20x  f25 φ6,5x40 mm	2x  k38/3	2x  k38/4	4x  k39/2 M6φ8x14 mm	4x  k39/3 M6/22mm	100x  l1	8x  p38 φ3,5x16 mm	8x  p44 φ3,5x9,5 mm
24x  r1 φ15x12mm #16	20x  r15 φ12x10,5mm #12	44x  r42	5x  w5/CL 400 mm	5x  w5/CR 400 mm	5x  w5/DL 400 mm	5x  w5/DR 400 mm	8x  s1	12x  s2 ø16
1x  z1	1x  n26/1	1x  p38 φ3,5x16 mm						

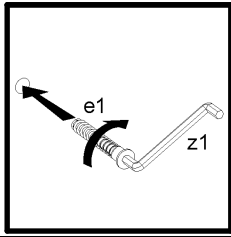
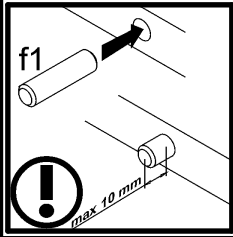
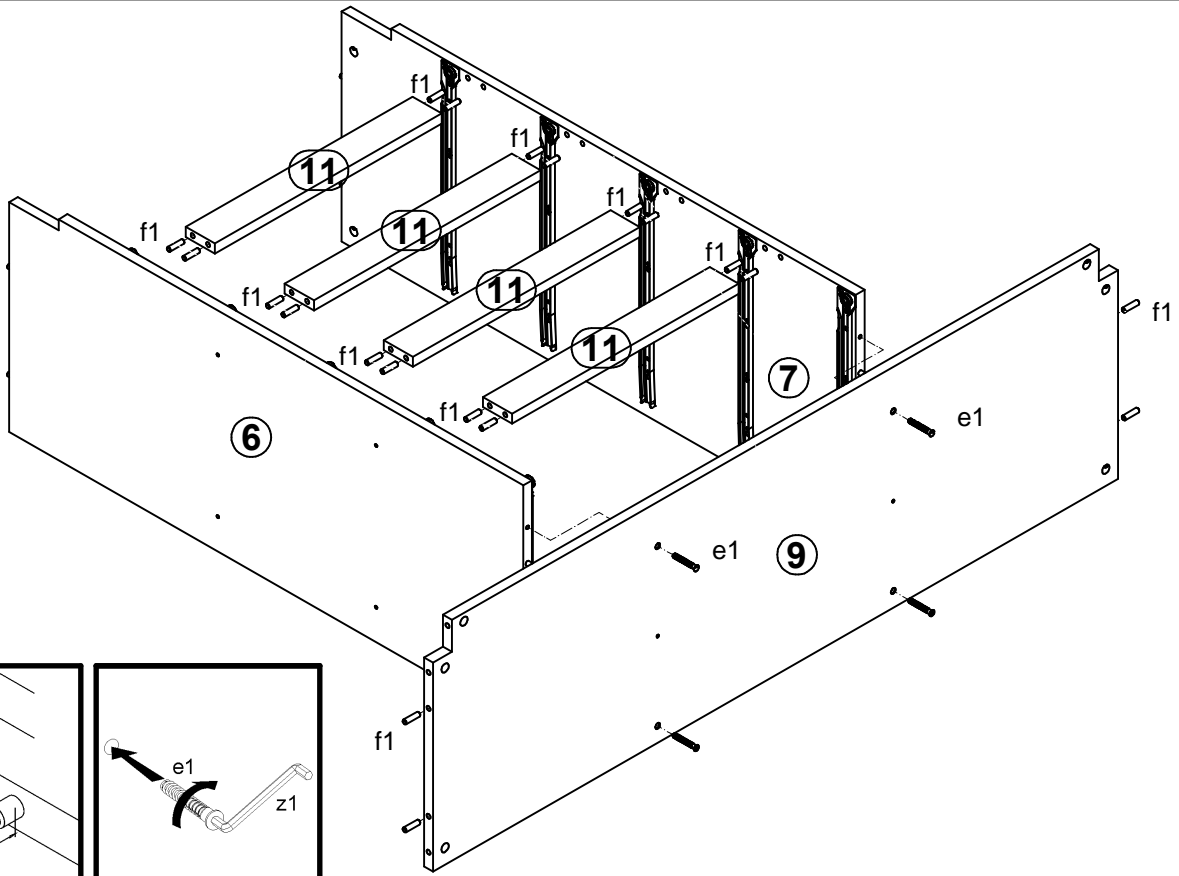
**1**  §2



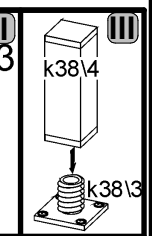
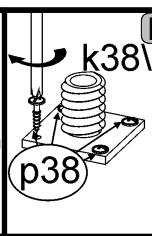
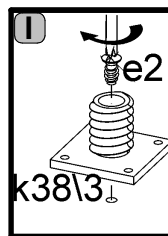
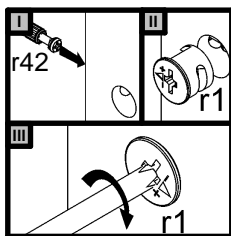
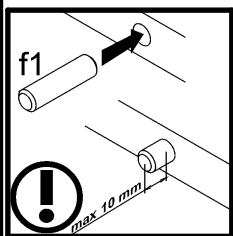
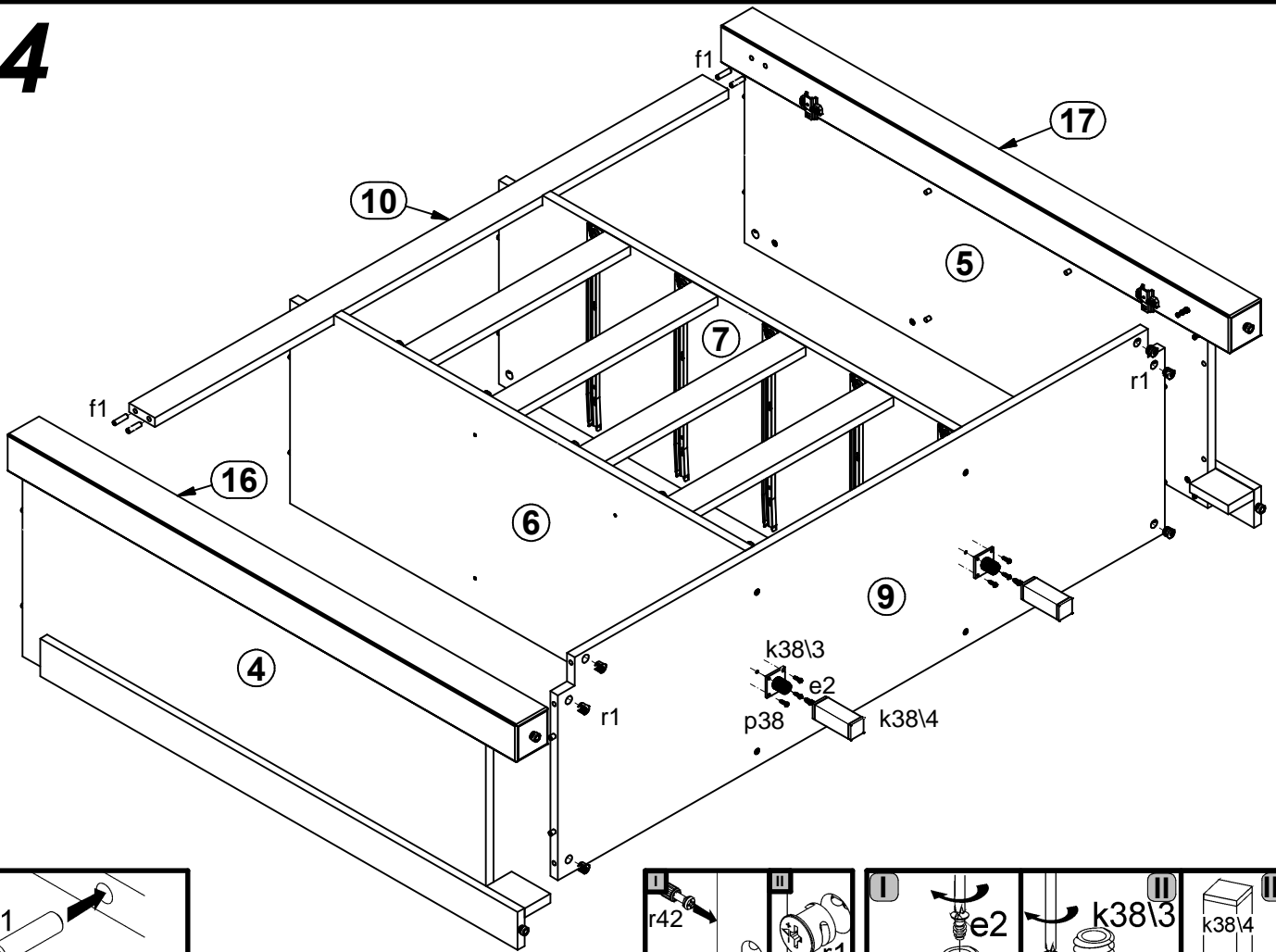
**2**  §6



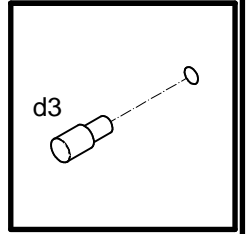
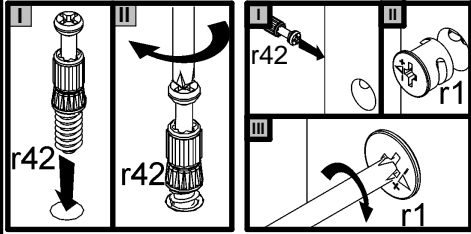
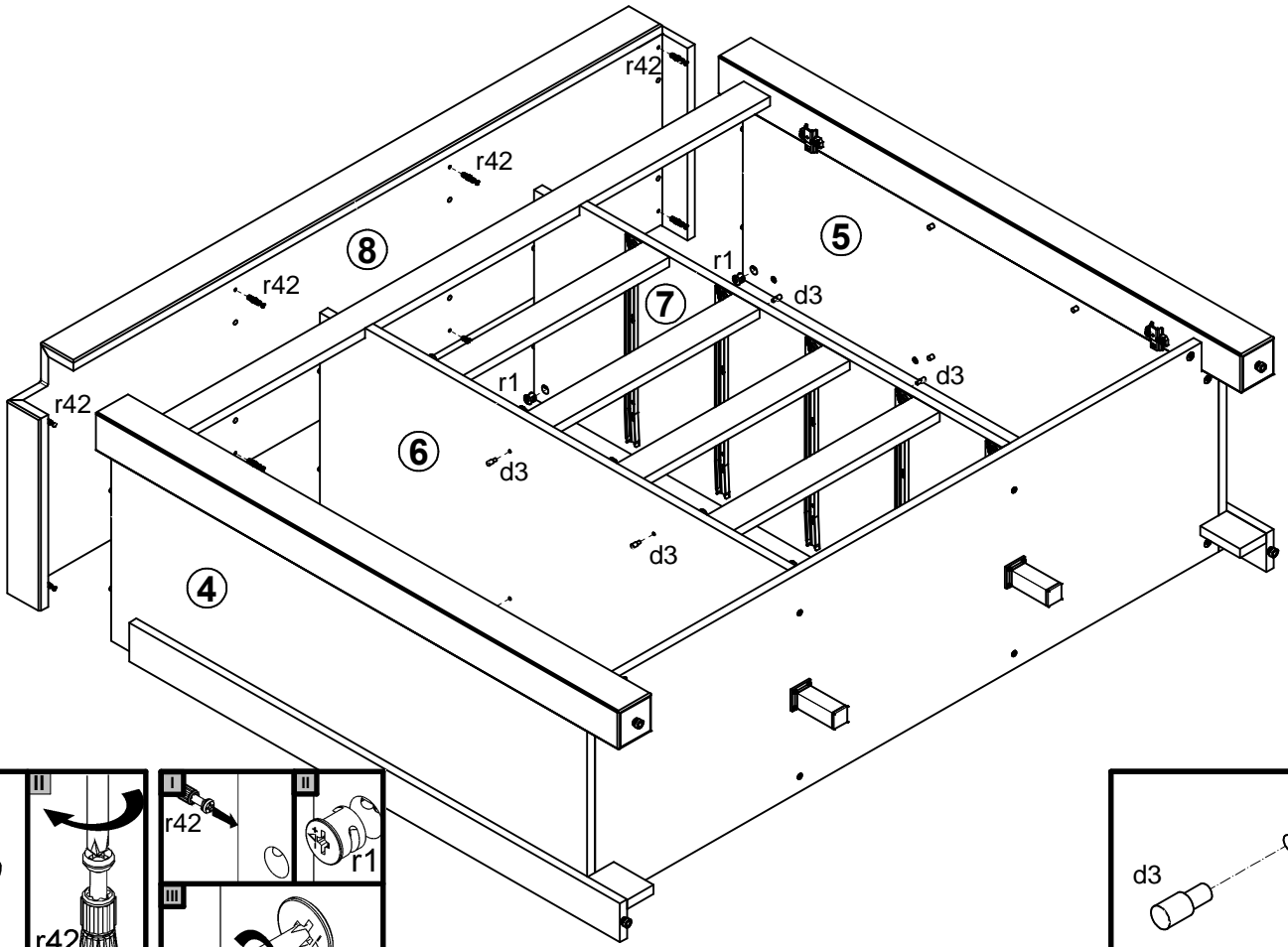
# 3



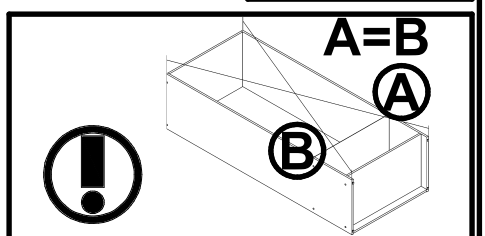
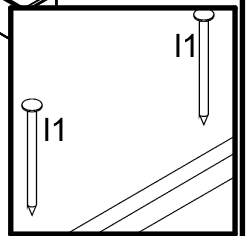
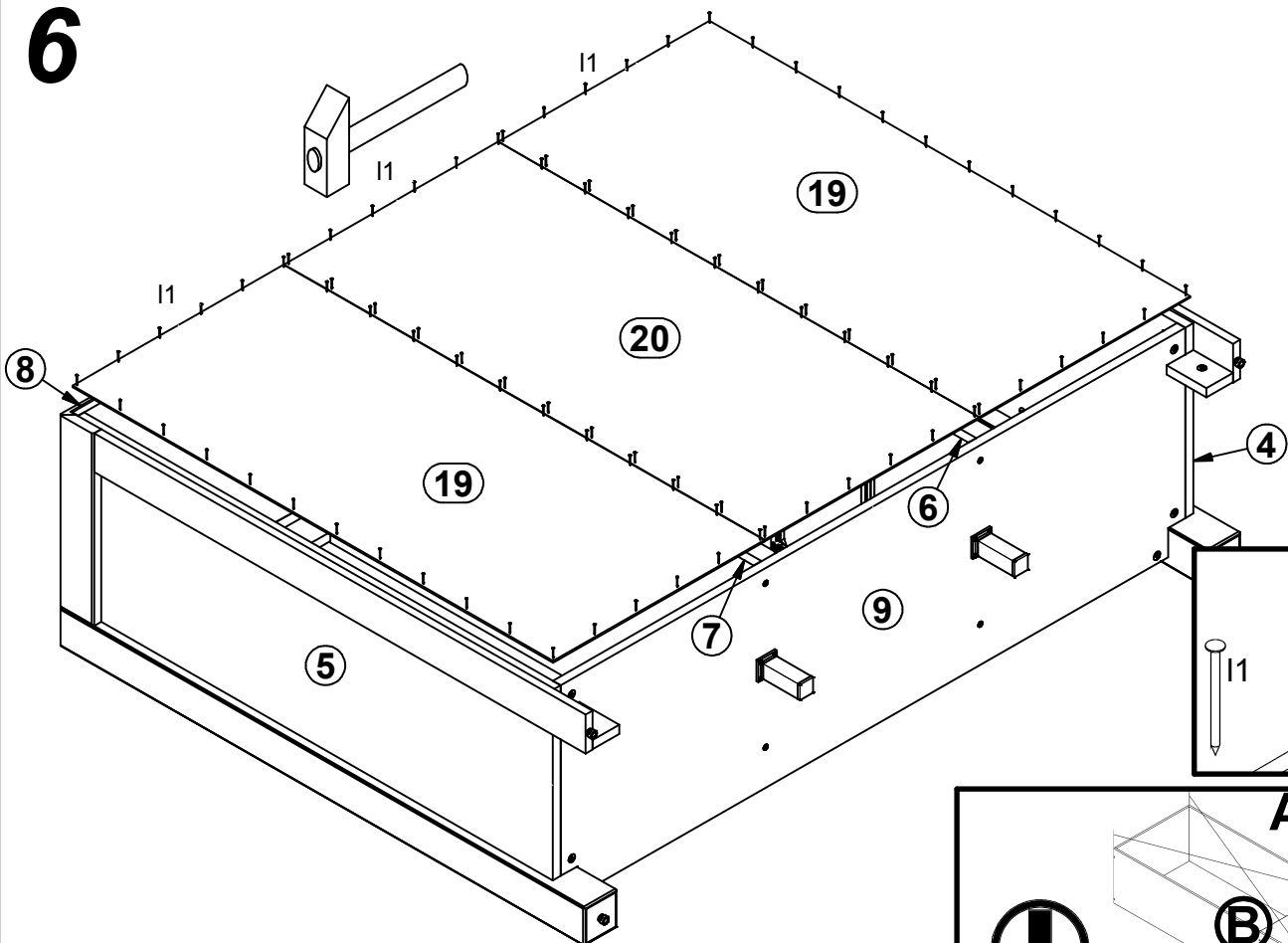
# 4



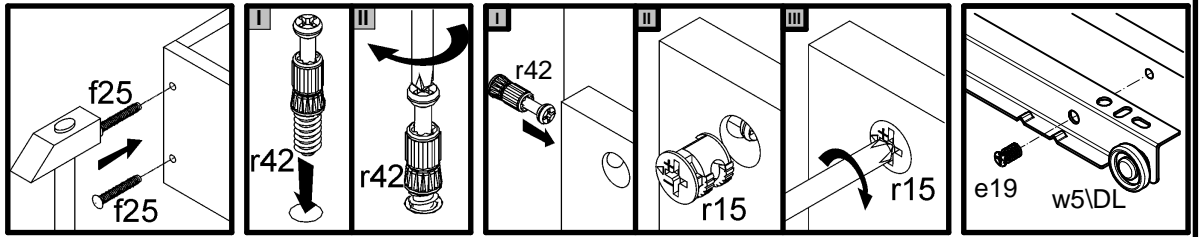
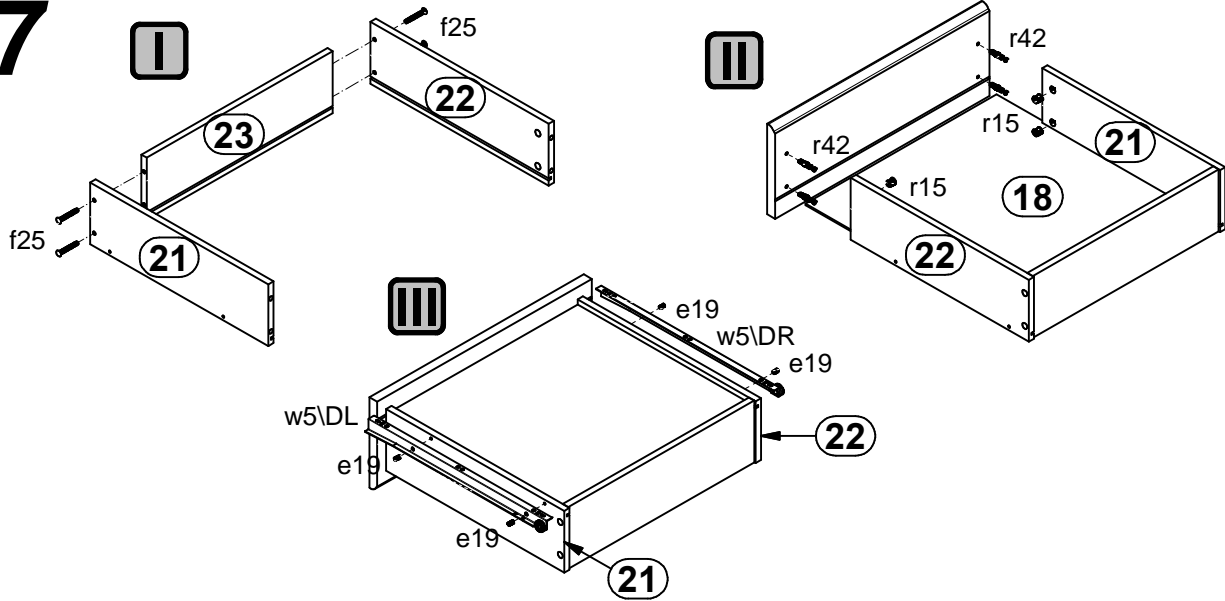
# 5



# 6



# 7



# 8

