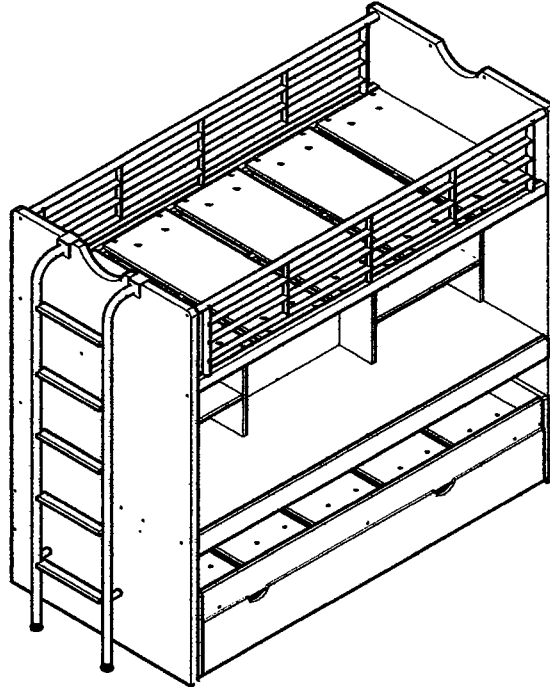


**MONTAGE AANWIJZING  
NOTICE DE MONTAGE  
MONTAGE ANLEITUNG  
ASSEMBLY INSTRUCTIONS**

# BOHS 80



Approximately 2 Hour



2 People Required

**ALGEMENE INSTRUCTIES :** 1. BESTUDEER AANDACHTIG DE MONTAGETEKENING ALVORENS MET DE MONTAGE TE BEGINNEN. 2. NEEM DE STUKKEN VOORZICHTIG UIT DE VERPAKKING, SCHIK EN IDENTIFICEER ZE. 3. LEG HET VERPAKKINGSMATERIAAL OP DE GROND ALS WERKVLAK. 4. VOLG ELKE MONTAGESTAP ZOALS BIJ DE MONTAGETEKENING AANGEGEVEN. 5. BEGIN MET DE MONTAGE, WEES VOORZICHTIG EN FORCEER NIETS, DRAAI ALLE VIJZEN NOG EENS GOED DICHT NA INGEBRUIKNAME. 6. BEWAAR DEZE FOLDER, HIJ KAN U VAN DIENST ZIJN BIJ AANVRAAG VAN EVENTUELE BESCHADIGDE ONDERDELEN.

**INSTRUCTION GENERALES :** 1. AVANT D'ENTAMER LE MONTAGE, IL CONVIENT D'ETUDIER ATTENTIVEMENT LES SCHEMAS. 2. DEBALLEZ PRUDEMMENT LES PIECES, RANGEZ -LES ET IDENTIFIEZ-LES, 3. NOUS VOUS CONSEILLONS DE POSER LE CARTON D'EMBALLAGE SUR LE SOL, IL PROTEGERA VOTRE MEUBLE. 4. SUIVEZ LES INSTRUCTIONS MENTIONNEES SUR LES SCHEMAS DE MONTAGE DANS L'ORDRE INDIQUE. 5. PROCEDEZ AU MONTAGE, NE JAMAIS FORCER LES ASSEMBLAGES. 6. GARDEZ VOTRE NOTICE, SI UNE PIECE VENAIT A MANQUER, ELLE SERA LE SEUL MOYEN DE LA RETROUVER.

**AUFBAUANLEITUNG BITTE BEI DER MONTAGE GENAU BEACHTEN :** 1. PACKEN SIE DIE EINZELTEILE SORGFALTIIG AUS, UND ORDNEN SIE DIESE. 2. DAS VERPAKKUNGSMATERIAL KANN MOEGLICHERWEISE ALS ARBEITSFLAECHEN DIENEN. 3. ARBEITEN SIE BITTE NACH DER IN DER AUFBAUANLEITUNG ANGEGBENEN REIHENFOLGE. 4. NUN KOENNEN SIE MIT DER MONTAGE BEGINNEN BEACHTEN SIE BITTE, DASS NICHTS BESCHAEDIGT WIRD. ZIEHEN SIE DIE SCHRAUBEN NACH EINIGER ZEIT DER NUTZUNG NOCH EINIGER ZEIT DER NUTZUNG NOCH EINMAL NACH. 5. BEWAHREN SIE DIE AUFBAUANLEITUNG SORGFALTIIG AUF, SIE BENOETIGEN DIESE FUR EVENTUELLE ERSATZTEILBESTELLUNGEN.

**GENERAL INSTRUCTIONS :** 1. STUDY THOROUGHLY THE SKETCHES BEFORE STARTING THE ASSEMBLY. 2. CAREFULLY UNPACK THE PIECES, SORT THEM OUT AND IDENTIFY THEM. 3. WE ADVISE YOU TO PUT THE PACKING ON THE GROUND AS PROTECTION. 4. FOLLOW EACH STEP AS INDICATED ON THE SKETCHES. 5. START ASSEMBLING, BE CAREFUL AND DO NOT FORCE ANYTHING, RETIGHTEN ALL SCREWS AFTER USE. 6. KEEP THIS ASSEMBLY INSTRUCTION, IT CAN HELP YOU TO IDENTIFY PIECES WHEN ORDERING SPARE PARTS.

REGELMATIG REINIGEN MET EEN VOCHTIG DOEK, GEEN OPLOSMIDDELEN OF VERDUNNINGSMIDDELEN GEBRUIKEN.

REGULARLY CLEANING WITH A DRY CLOTH. DO NOT USE WATER, SOLVENT OR THINNERS.

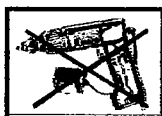
ENTRETIEN COURANT AVEC UN CHIFFON, NE PAS UTILISER DE L'EAU. SOLVANTS OU DILUANTS

GLEICHEBENMAESSIG REINIGEN MIT FEUCHTEM TUCH. KEIN LOESSEMITTEL ODER VERDUENNUNG GEBRAUCHEN.

### Tools Required For Assembly



Rubber Hammer



DO NOT USE POWER TOOLS TO ASSEMBLE THIS PRODUCT. USE OF POWER TOOLS WILL INVALIDATE ANY CLAIM AND MAY DAMAGE THIS PRODUCT MAKING IT UNSAFE.



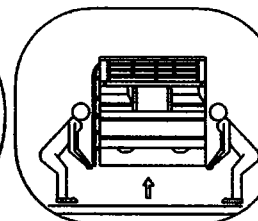
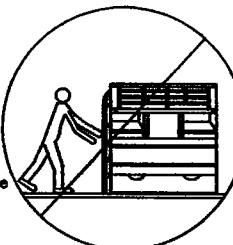
Philips Screw Driver

Notwendiger Hinweis:

Important information

Belangrijke informatie

Information importante



Bett nicht verschieben, nur angehoben verstellen.

Move not only raised bed adjusted

Bed niet verschuiven, men moet het bed opheffen om te verplaatsen

Ne pas pousser le lit, il faut le porter pour déplacer

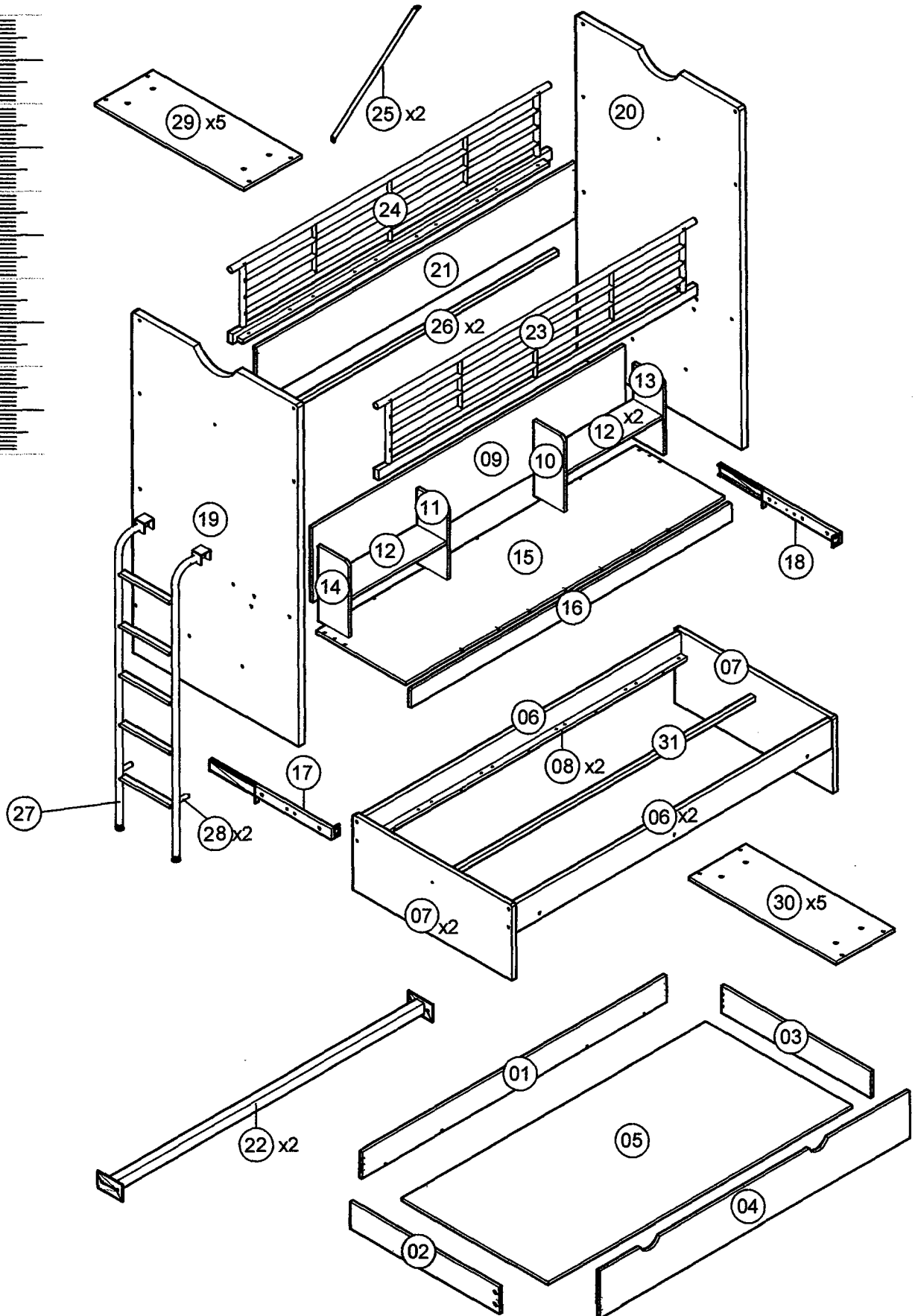
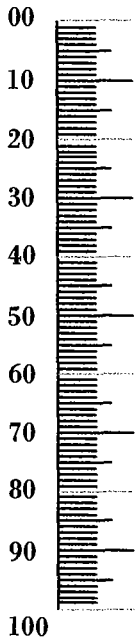
# BOHS 80

## Carton 1 of 5

## Carton 4 of 5

No.	Part Name	Pcs	No.	Part Name	Pcs
06	Side Rail (Single Bed)	2	02	Left Panel (Trundle)	1
08	Metal Side Support (Single Bed)	2	03	Right Panel (Trundle)	1
17	Extension Slide (Left)	1	07	Left & Right Panel (Single Bed)	2
18	Extension Slide (Right)	1	10	Center Panel (Open Shelf)	1
21	Back Panel	1	11	Center Panel (Open Shelf)	1
22	Metal Support Table	2	12	Support Panel (Open Shelf)	2
23	Guardrail Front	1	13	Right Panel (Open Shelf)	1
24	Guardrail Back	1	14	Left Panel (Open Shelf)	1
25	Brace	2	29	Partical Board Base	5
26	Metal Support Rail	2	<b>Carton 5 of 5</b>		
27	Ladder	1	04	Front Panel (Trundle)	1
28	Metal Support Ladder	2	16	Front Panel (Desk)	1
31	Metal Support (Single Bed)	1			
<b>Fitting List</b>					
<b>Carton 2 of 5</b>					
19	Left Panel	1			
20	Right Panel	1			
<b>Carton 3 of 5</b>					
01	Back Panel (Trundle)	1			
05	Bottom Panel (Trundle)	1			
09	Back Panel (Open Shelf)	1			
15	Table Panel	1			
30	Board Base (Single Bed)	5			

# BOHS 80



# BOHS 80

## Carton 1 of 5

### Fitting List

No.	Part Name		Pcs
A	Cam Stud (small)		23
B	Cam		23
C	M8 x 25mm PVC Dowel		42
D	45mm Chipboard Screw		9
E	14mm Chipboard Screw		12
F	40mm Plate White (Nylon Caster)		10
G	19mm Chipboard Screw		8
H	Round stopper (Grey)		2
J	M6 x 12mm Allen Bolt		18
K	M6 x 30mm Allen Bolt		8
L	M6 x 40mm Allen Bolt		2
M	M6 x 45mm Allen Bolt		2
N	M6 x 60mm Allen Bolt		26
P	M6 x 70mm Allen Bolt		8
Q	M8 x 95mm Allen Bolt		4
R	M8 x Round Nut 32mm		4
S	M6 x JCN Nut		14
T	M6 x 13mm Baller		12
V	M6 x 25mm Allen Bolt		40
Y	M8 Allen Wrench		1
Z	M6 Allen Wrench		2
Z1	M6 x 50mm Allen Bolt		4
Z2	2/8 Spring Washer		6
Z3	25mm White Sticker		6

### Caution

There are many small components used in the construction of this unit. These loose items should be kept away from young children whilst assembling your unit. As an extra precaution, screw cover caps should be permanently fixed in position. (Where applicable)

### USEFUL HINTS & TIPS

Two people will be required to assemble this unit

Please keep this assembly instruction for future reference






### CARE AND MAINTENANCE

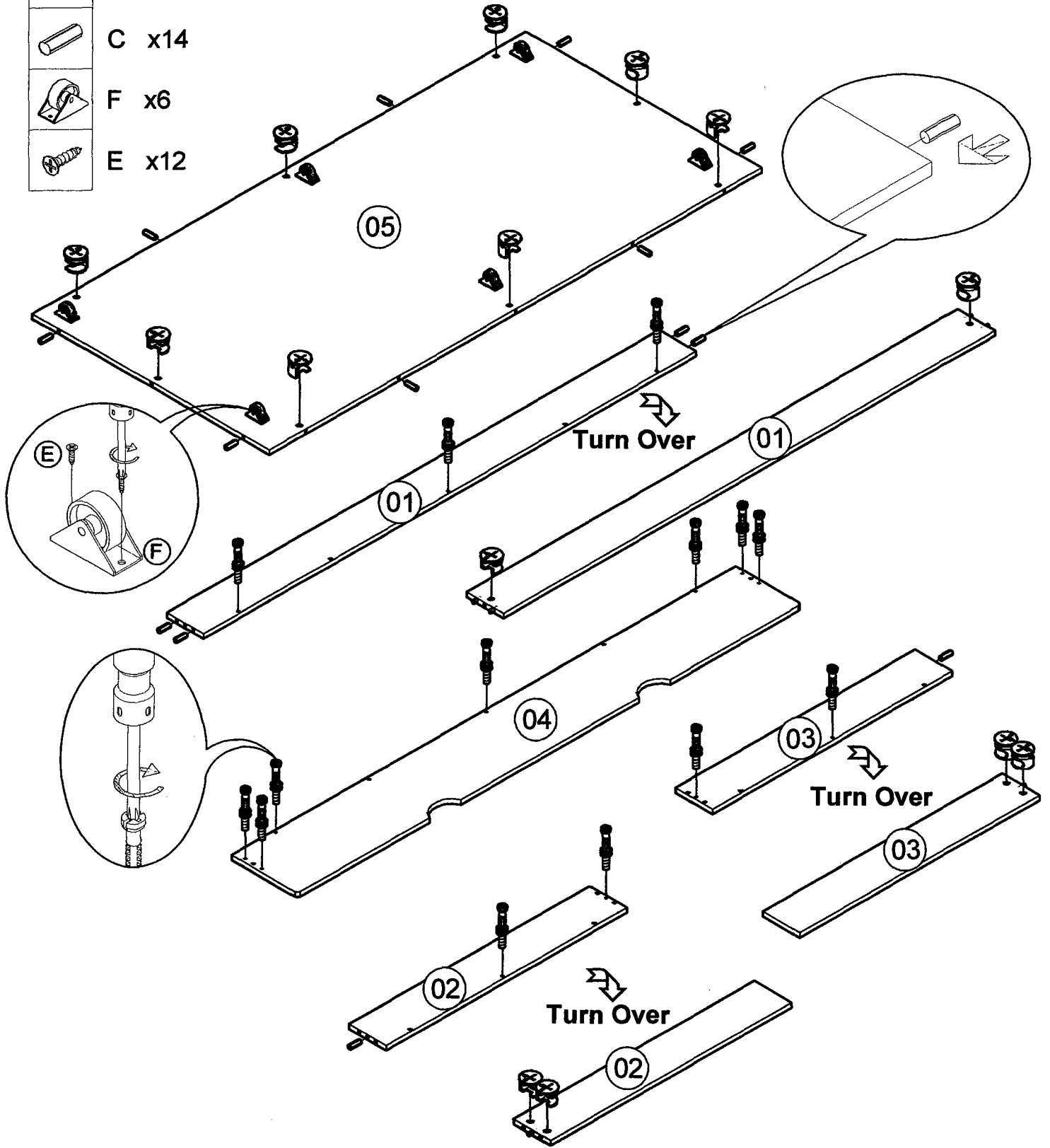
Avoid sharp objects

Wipe off with dry cloth

Avoid excessive force

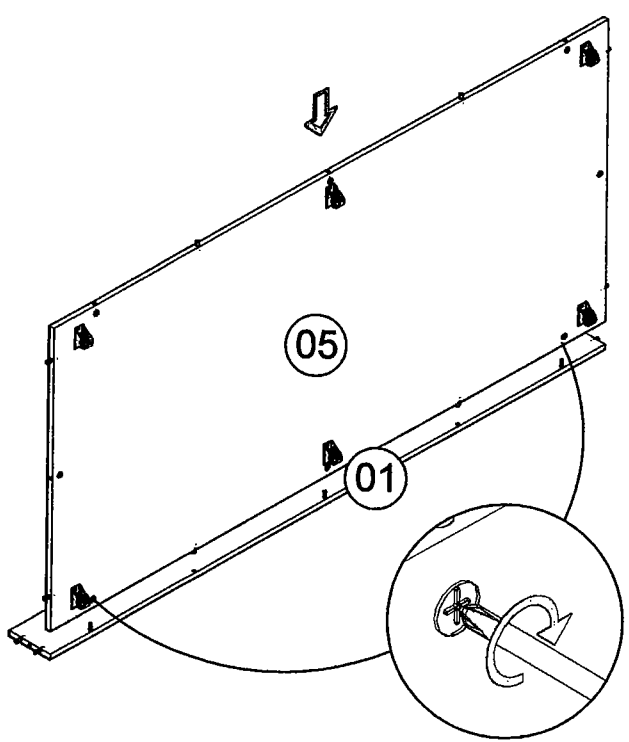
# BOHS 80

- 1
-  A x14
  -  B x14
  -  C x14
  -  F x6
  -  E x12

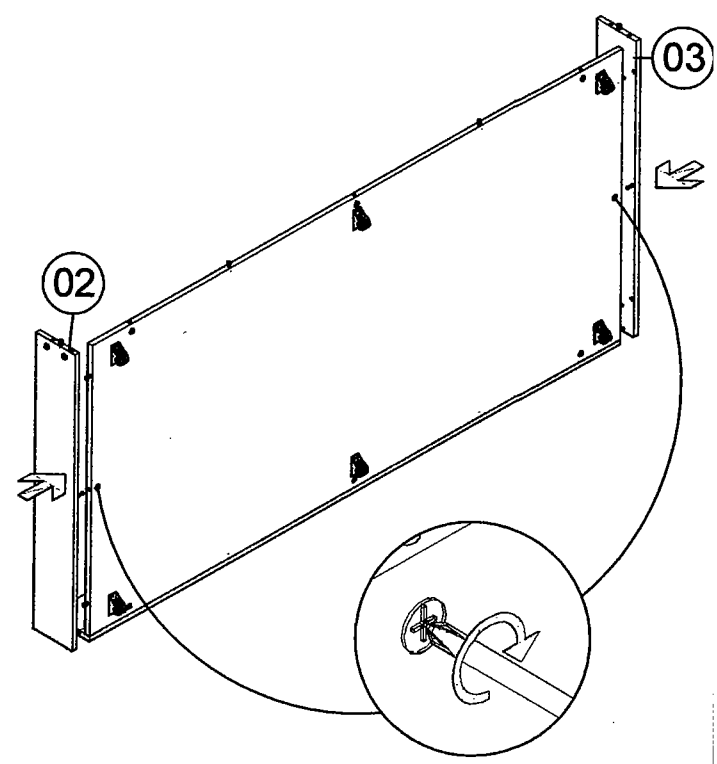


# BOHS 80

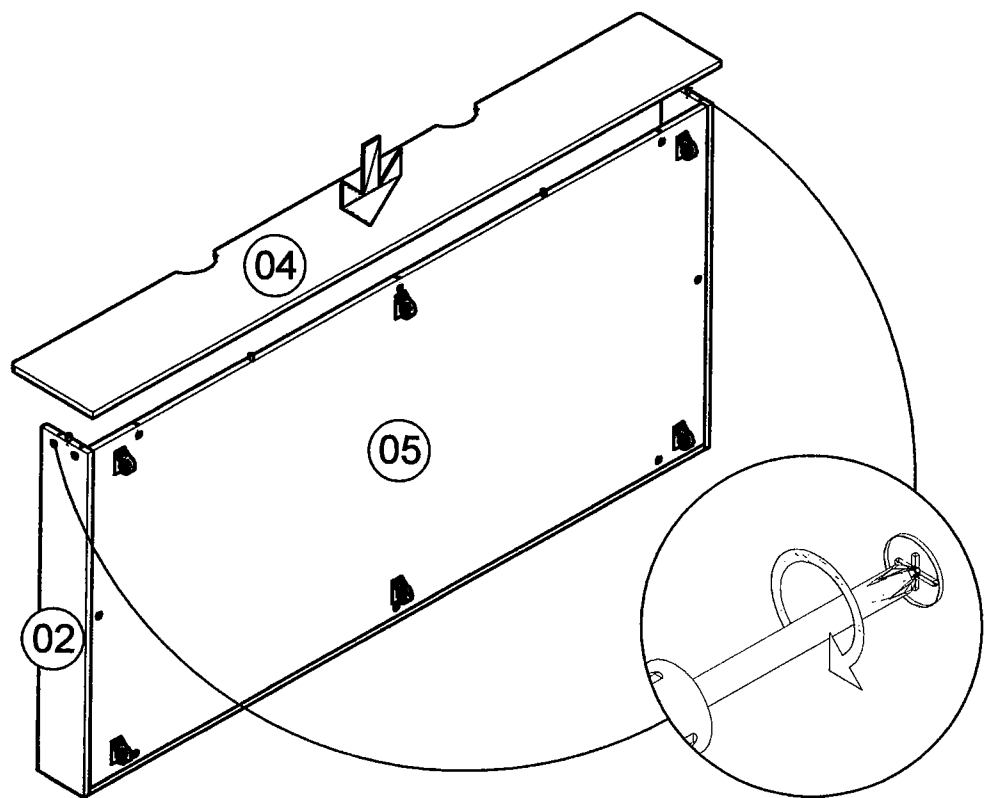
2



3

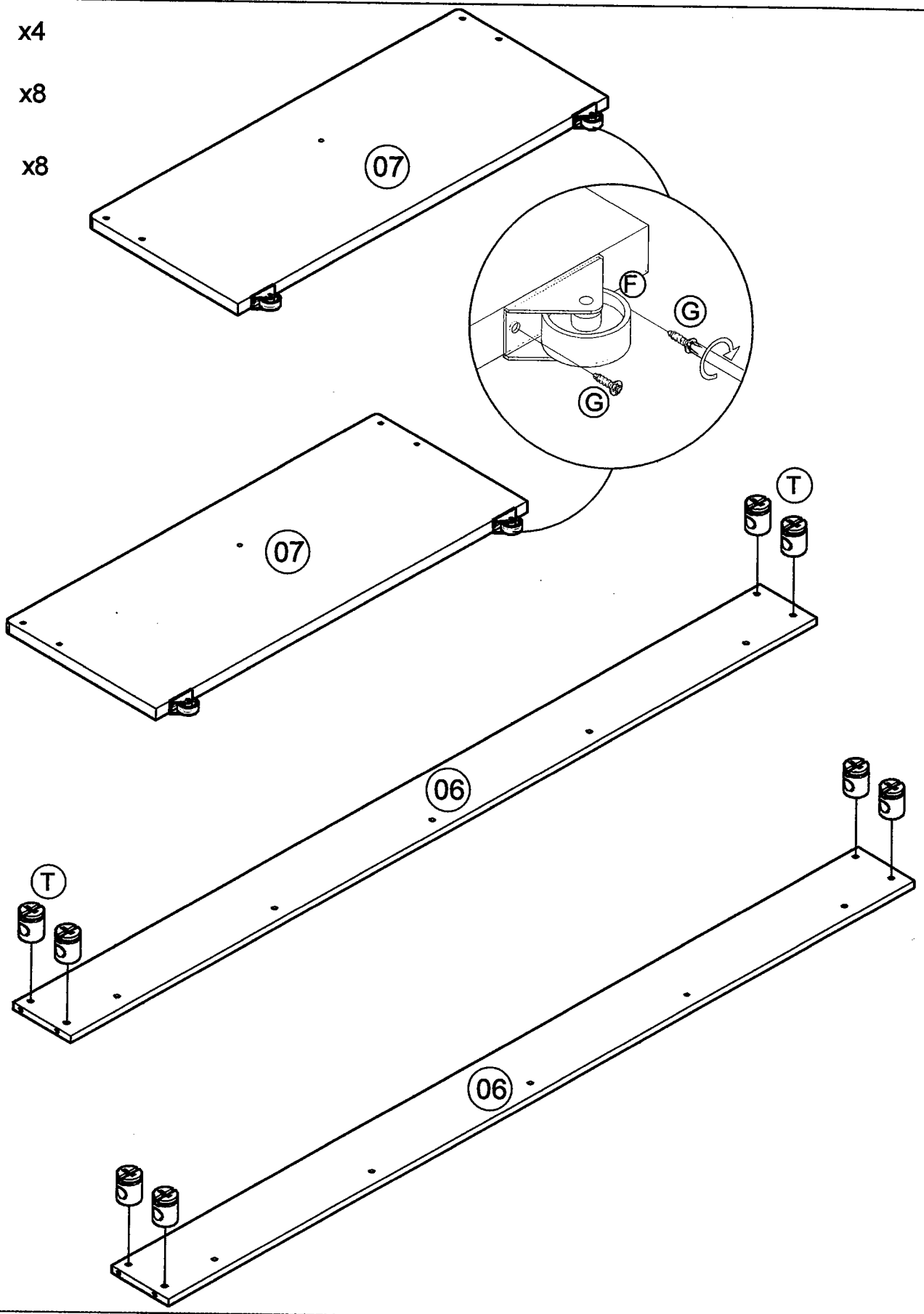


4



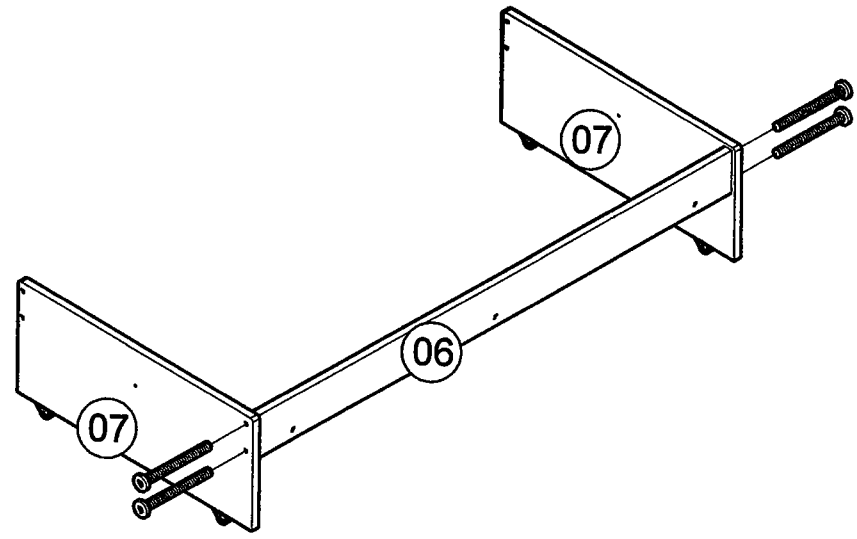
# BOHS 80

- 5
- F x4
  - T x8
  - G x8

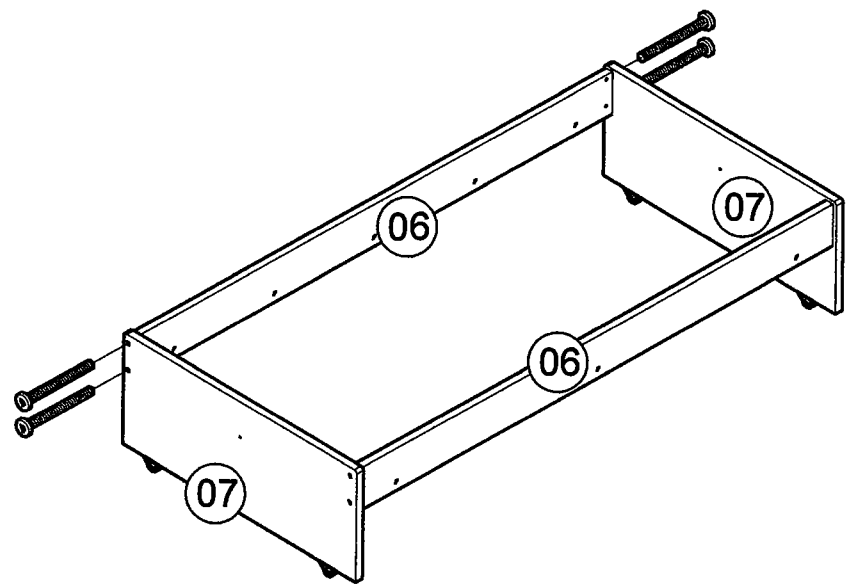






# BOHS 80

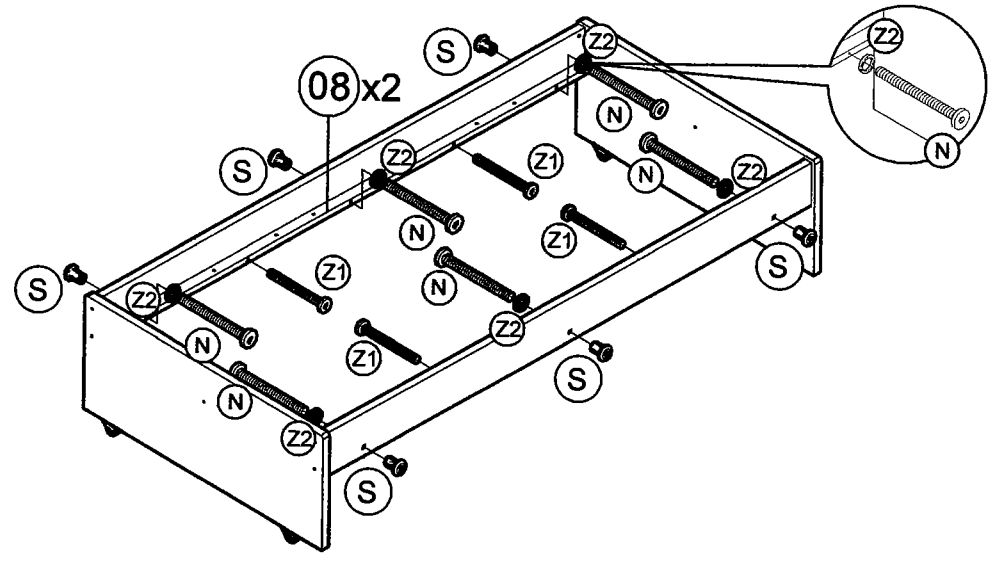
- 6  N x4



- 7  N x4



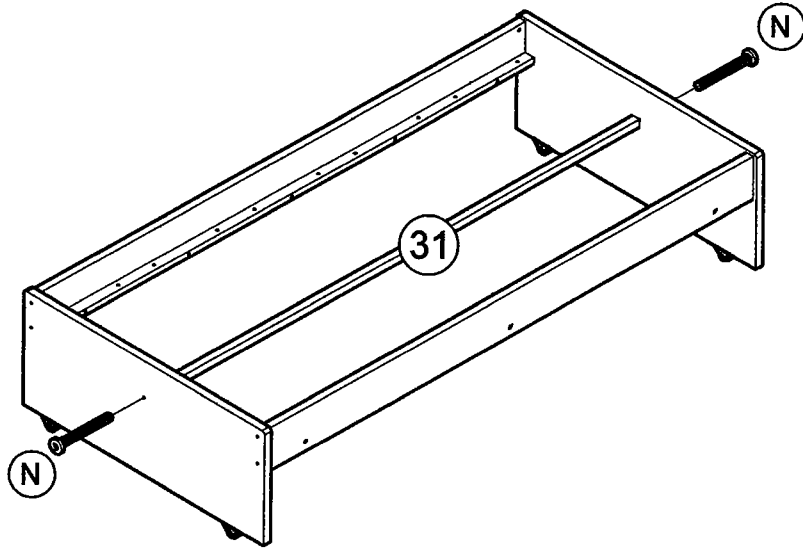
- 8  S x6
-  N x6
-  Z2 x6
-  Z1 x4



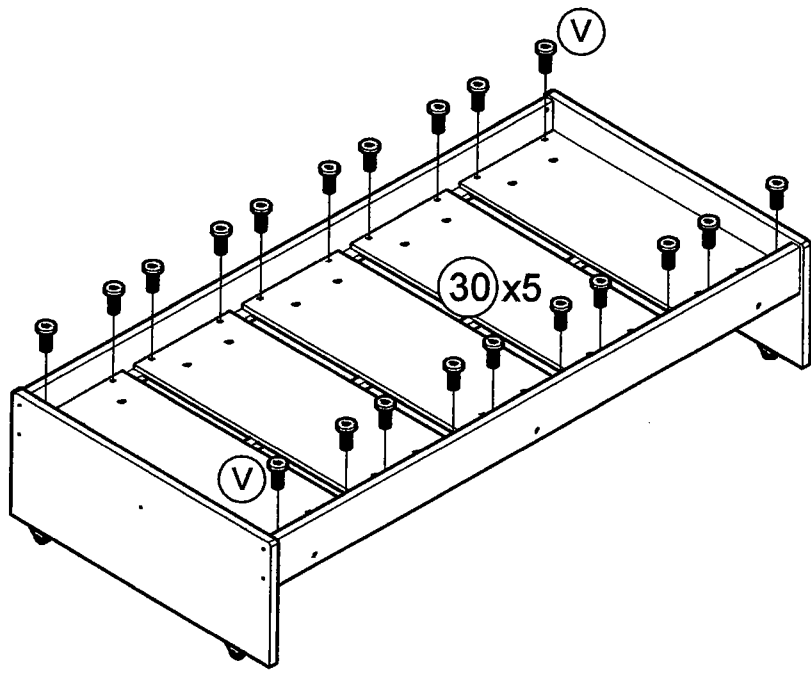


# BOHS 80




9  N x2

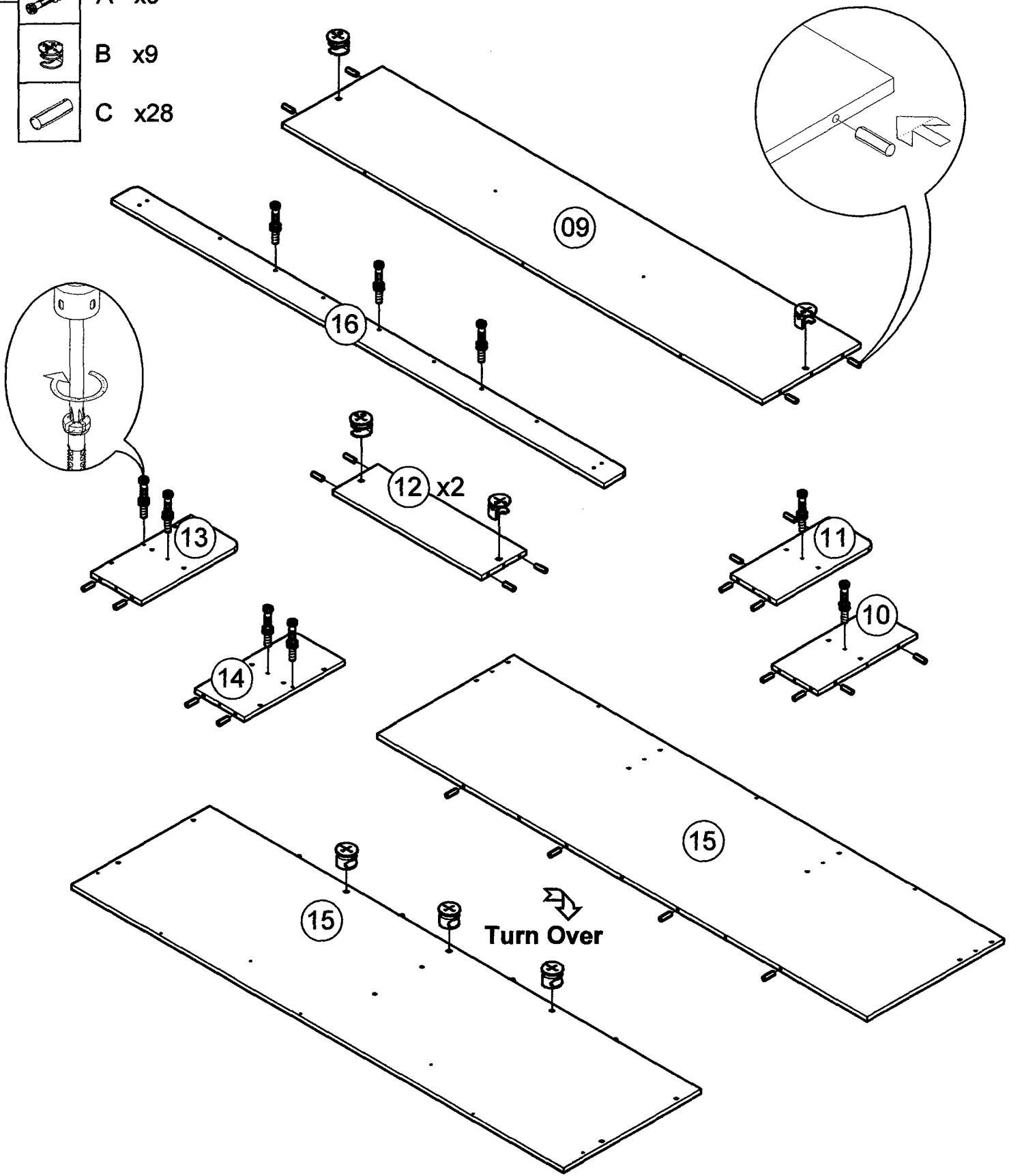


10  V x20



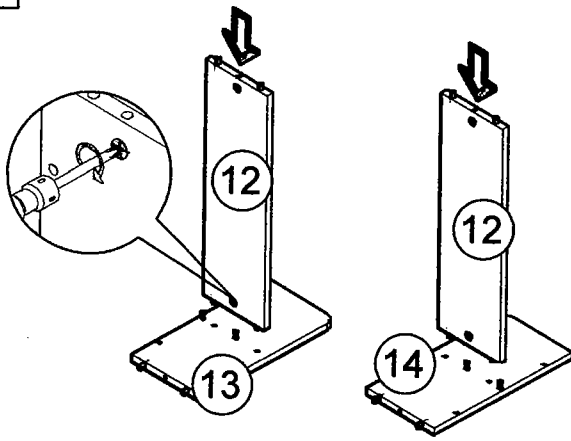
# BOHS 80

- 11  A x9
-  B x9
-  C x28

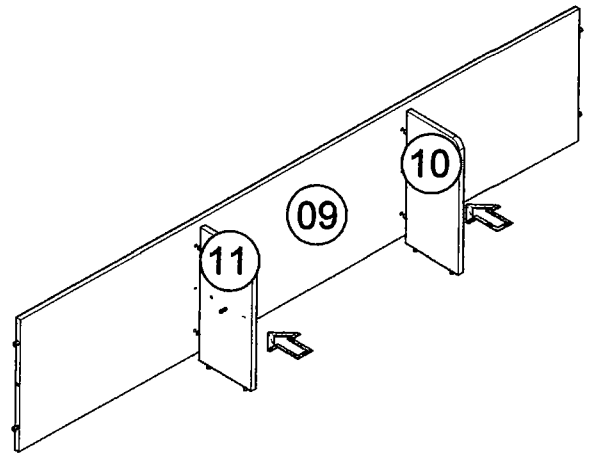


# BOHS 80

12



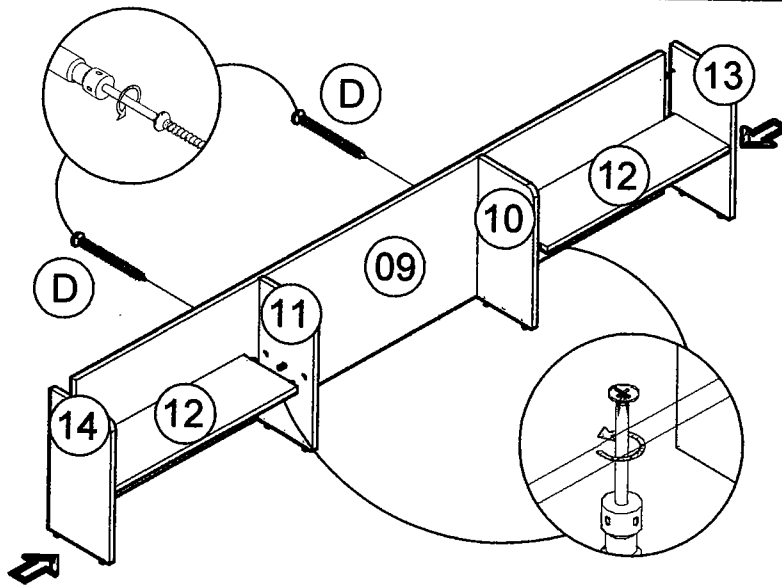
13



14



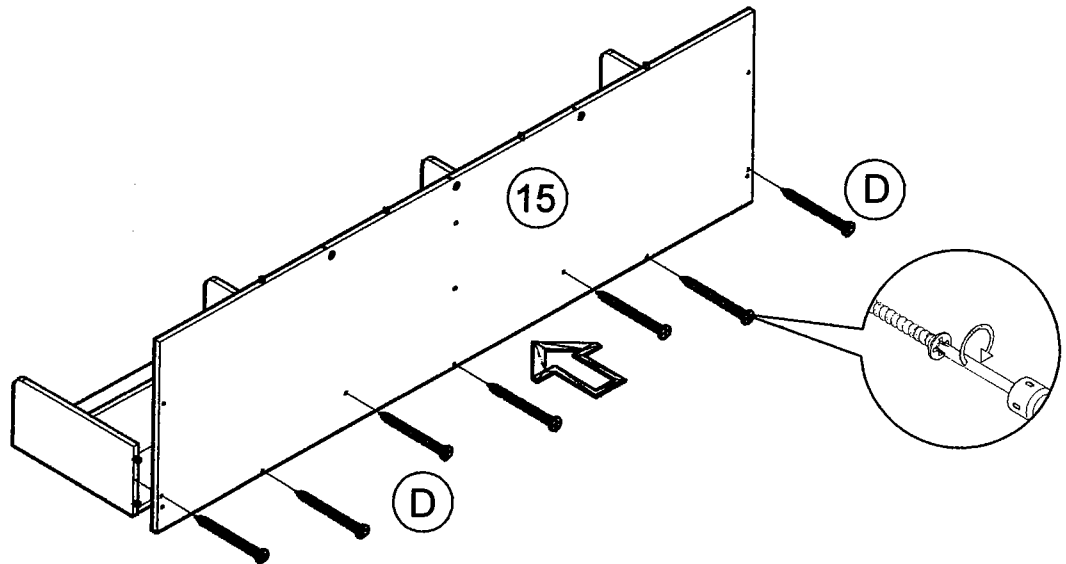
D x2



15






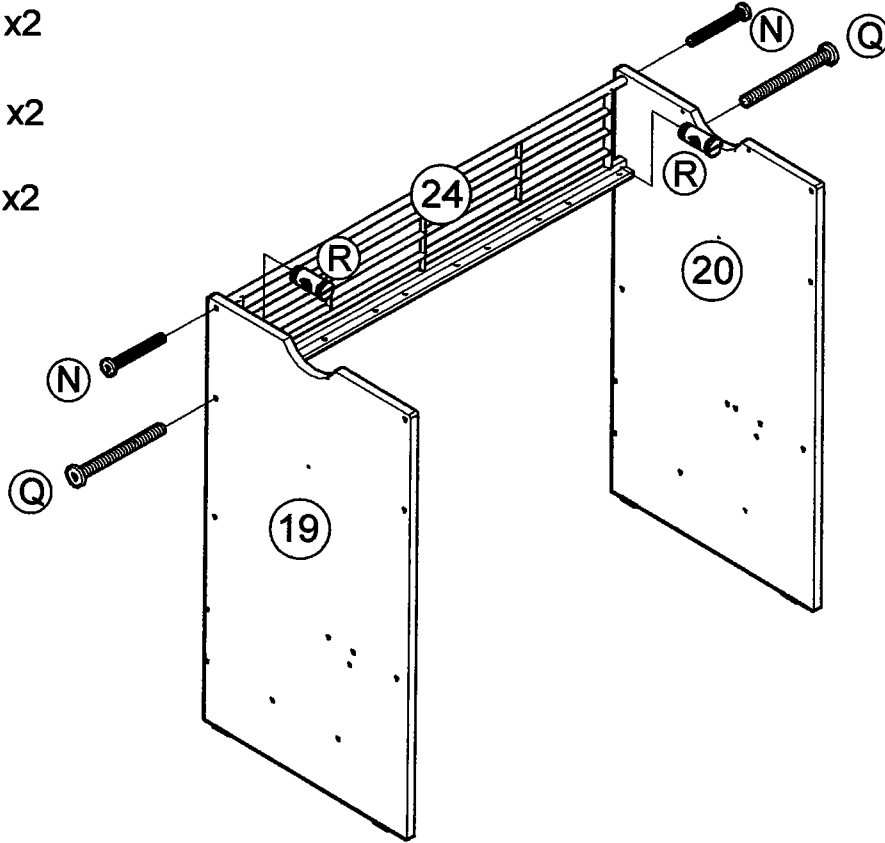
D x7







# BOHS 80

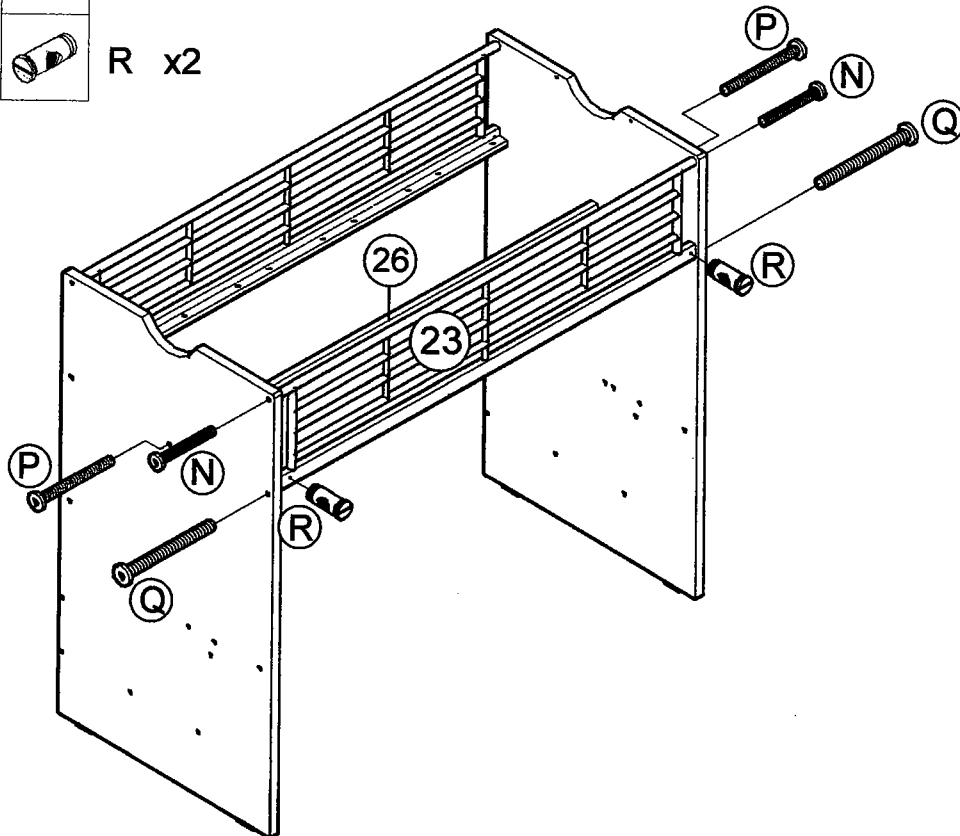
16

-  N x2
-  Q x2
-  R x2



17

-  N x2
-  P x2
-  Q x2
-  R x2

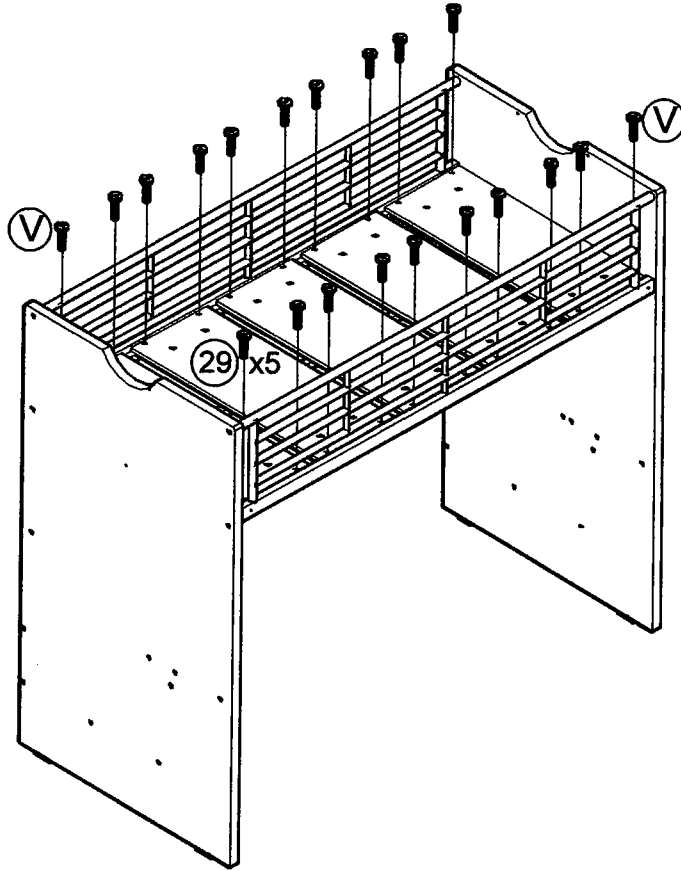


# BOHS 80

18



V x20



19



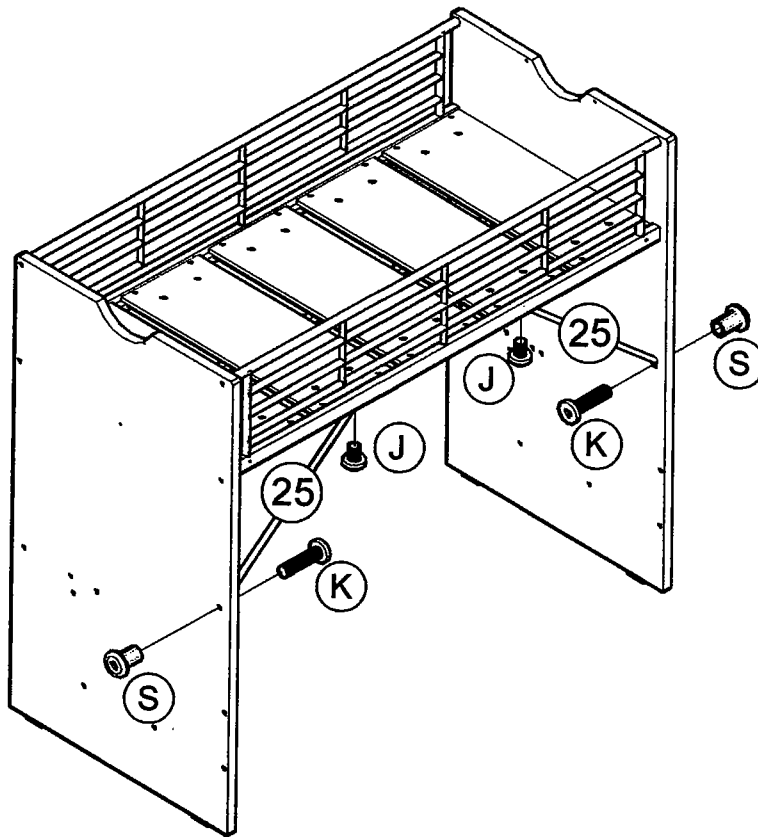
S x2



K x2

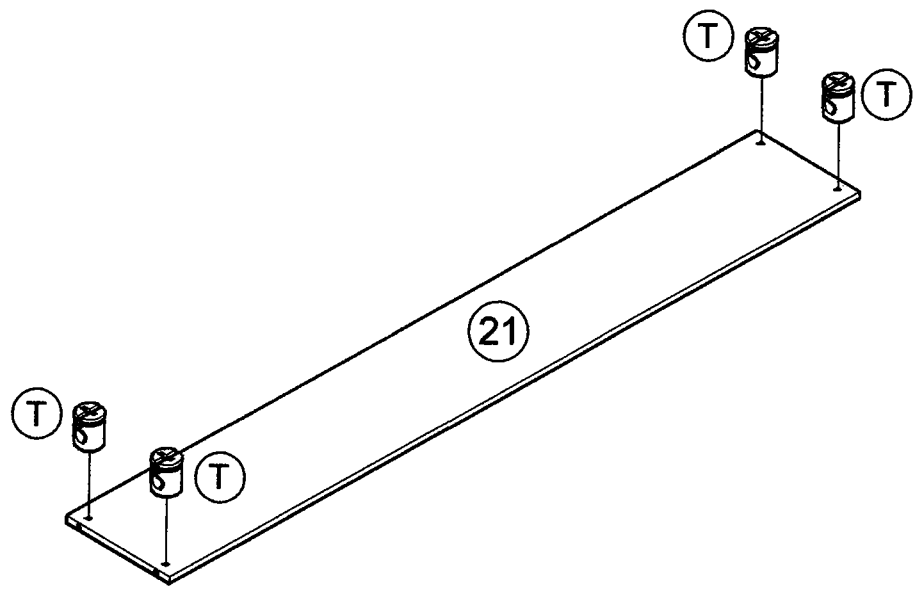


J x2

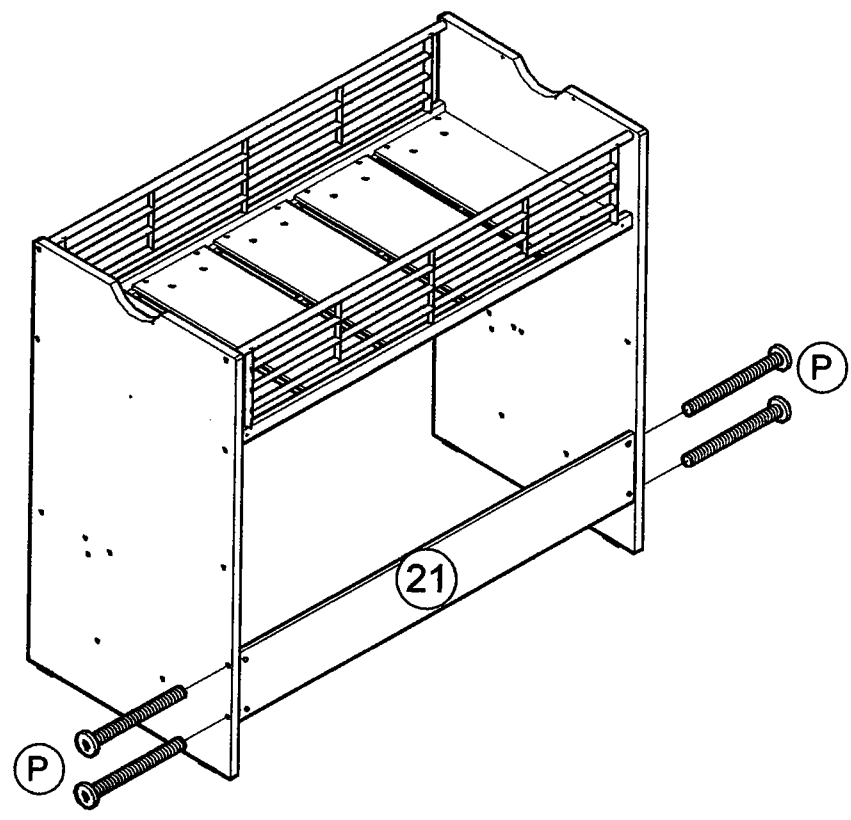


# BOHS 80

20  T x4





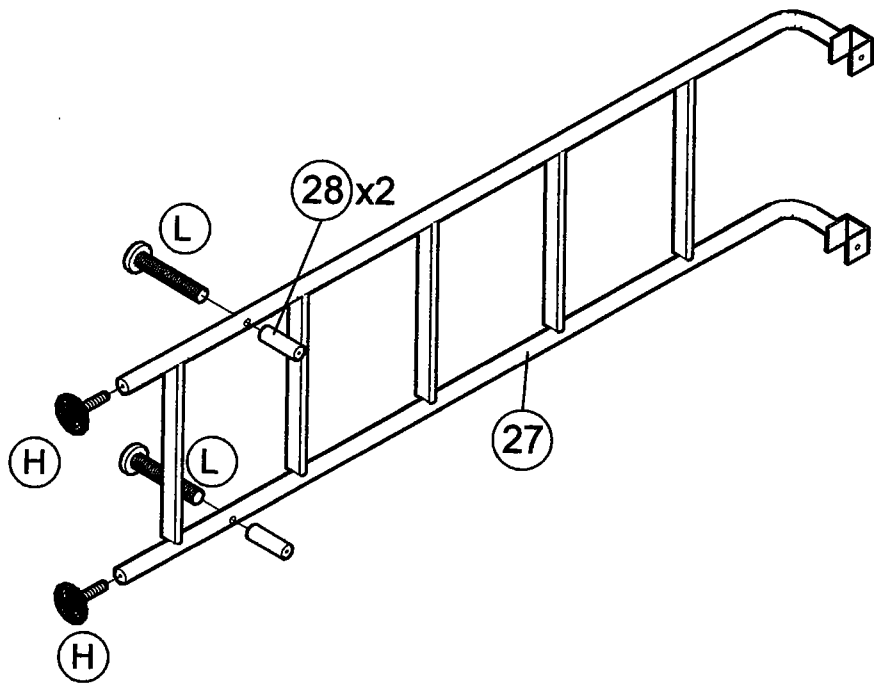
21  P x4





# BOHS 80

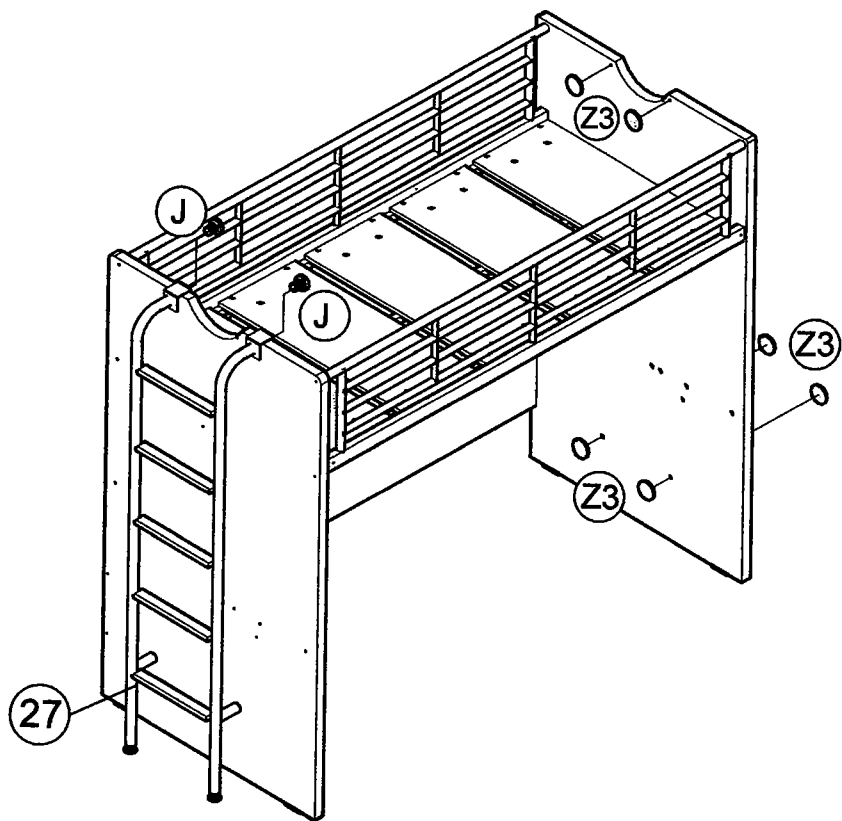
22

-  L x2
-  H x2



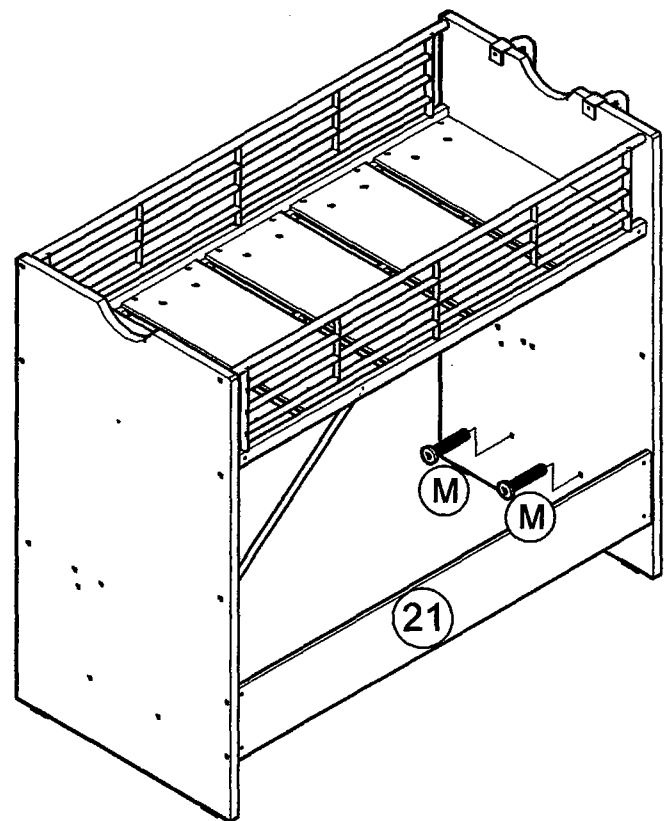
23

-  J x2
-  Z3 x6

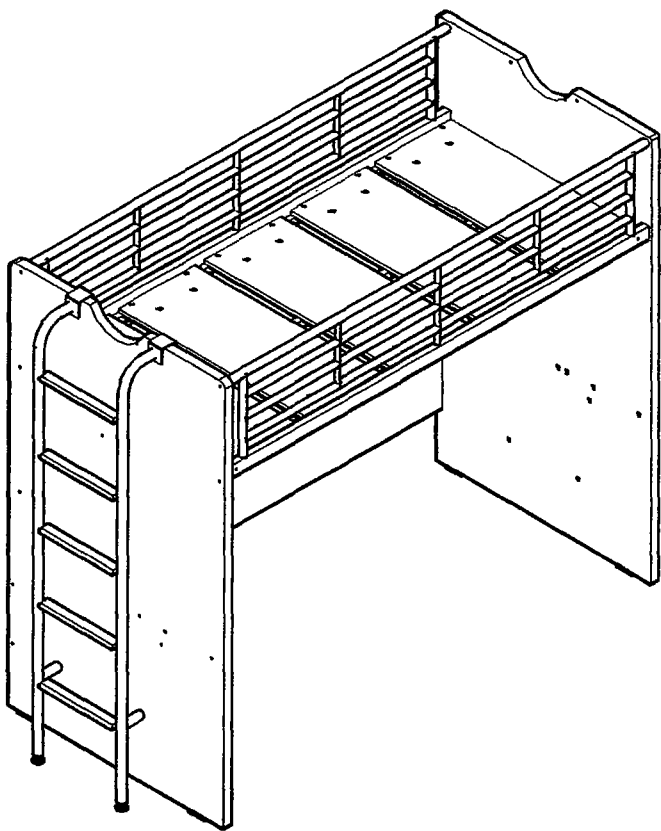


# BOHS 80

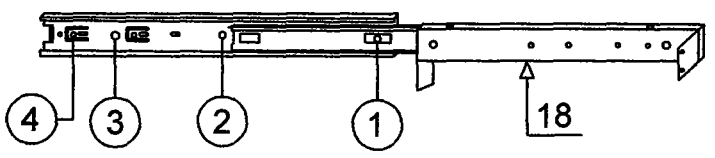
24  M x2



25



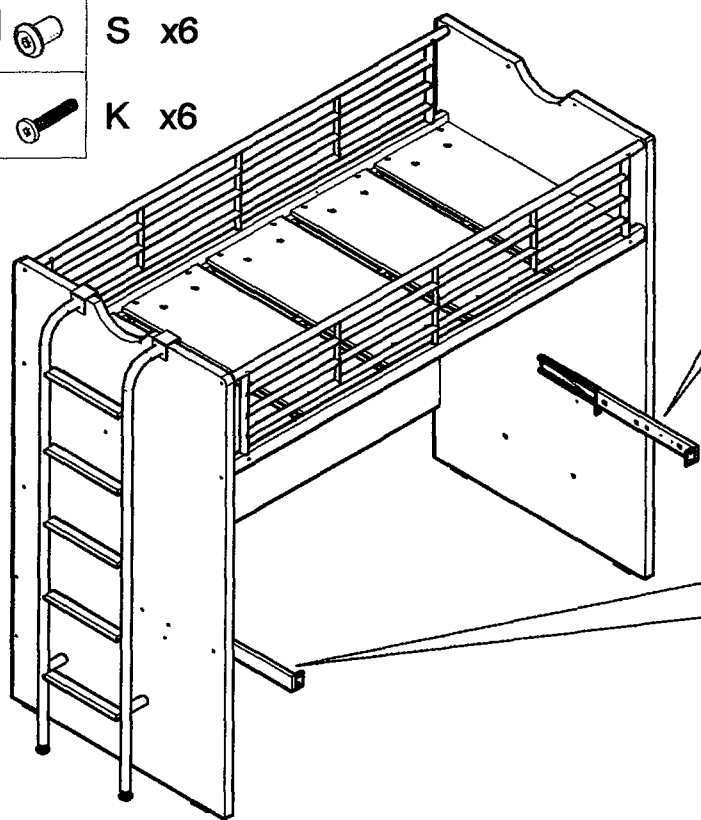
Please follow the below diagram to fasten part 18.



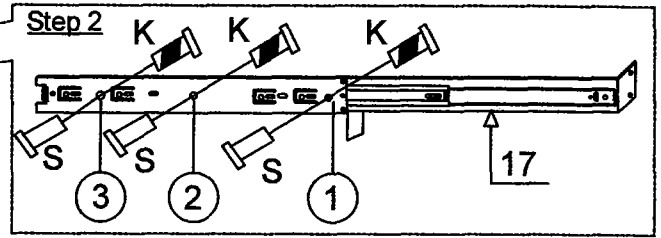
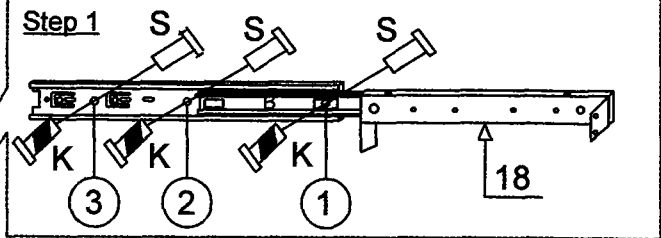


# BOHS 80

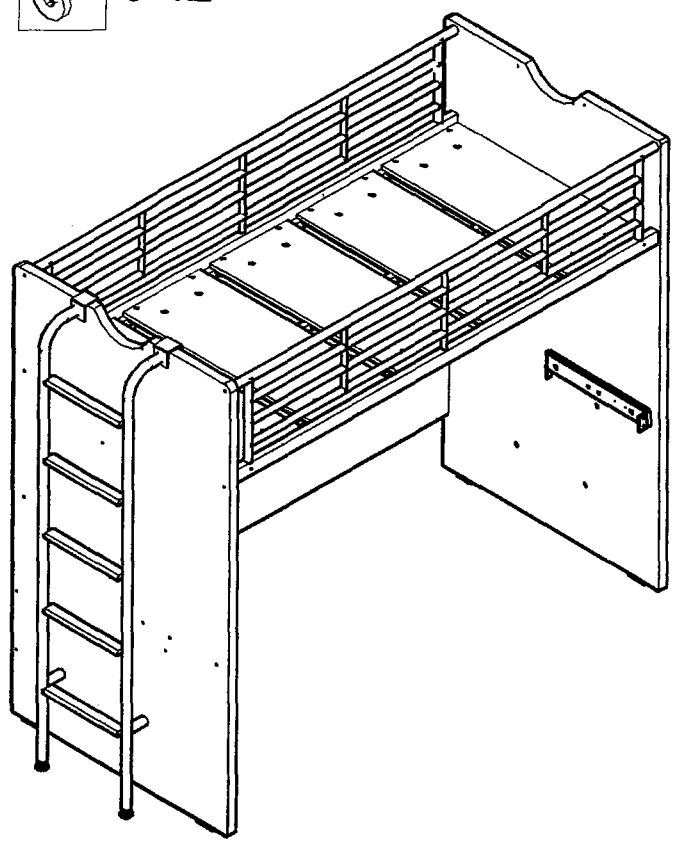
- 26 S x6
- K x6



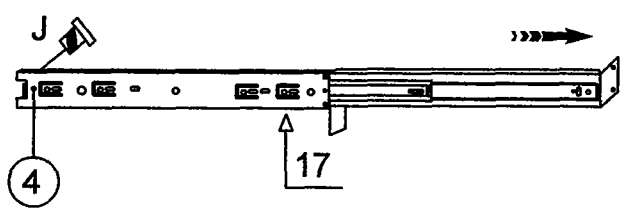
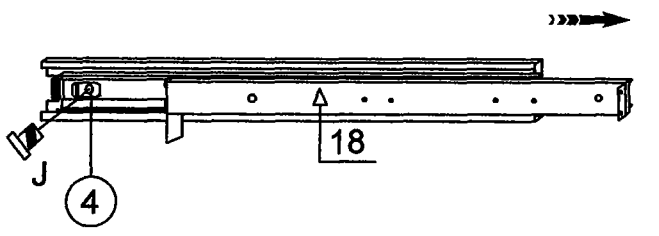
Please follow the below diagram to fasten part 18 & 17.



- 27 J x2

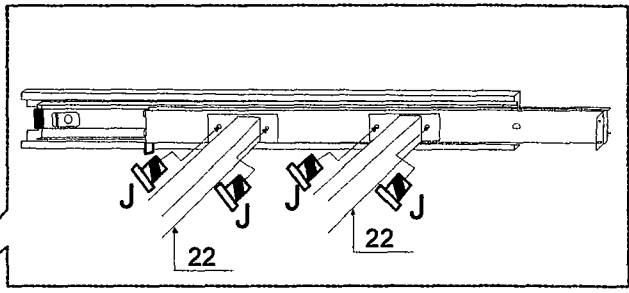
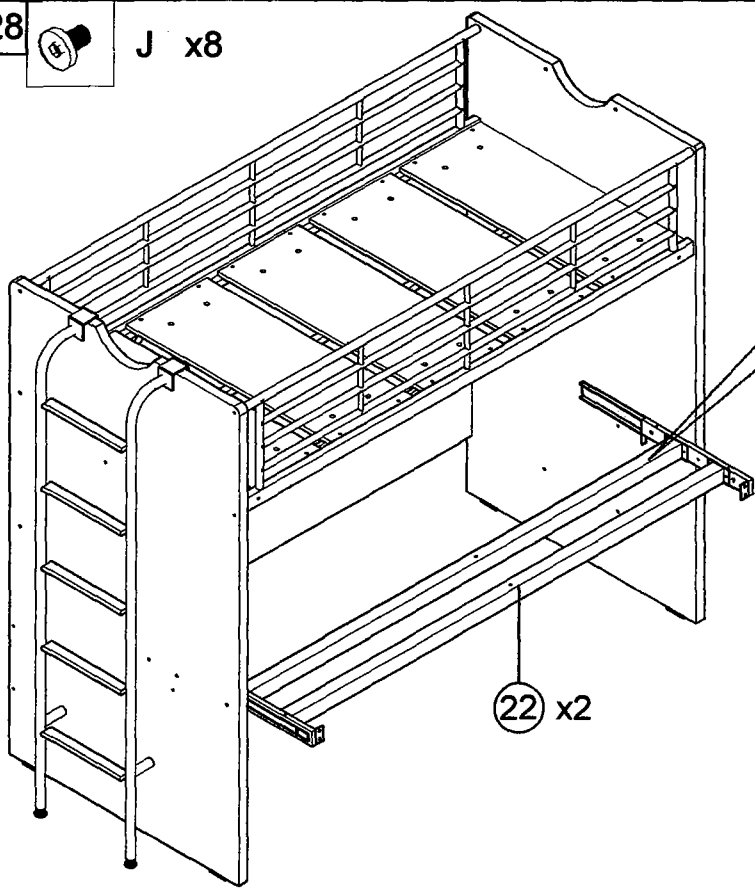


Please follow the below diagram to fasten part 18 & 17.



# BOHS 80

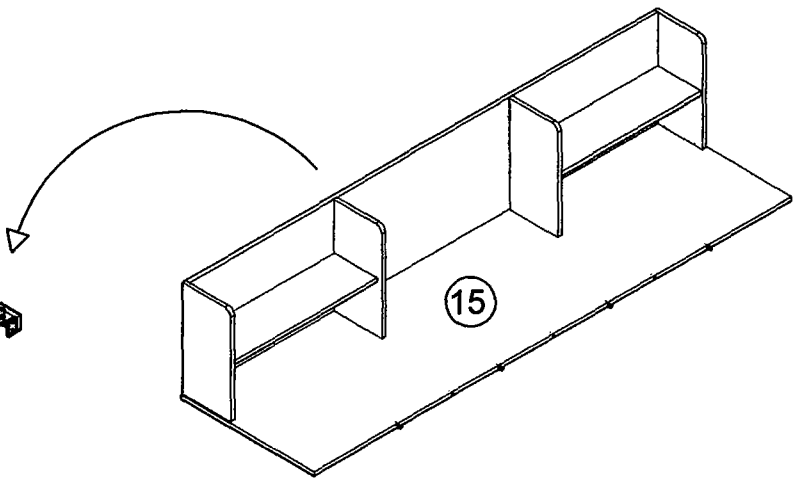
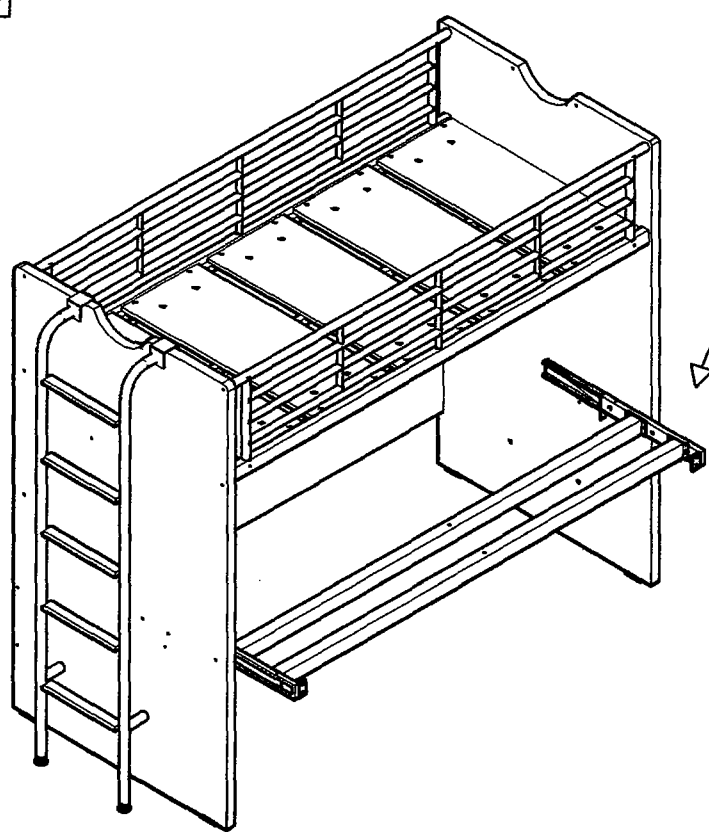
28  J x8



\* Do not Tighten The Screw Yet.

22 x2

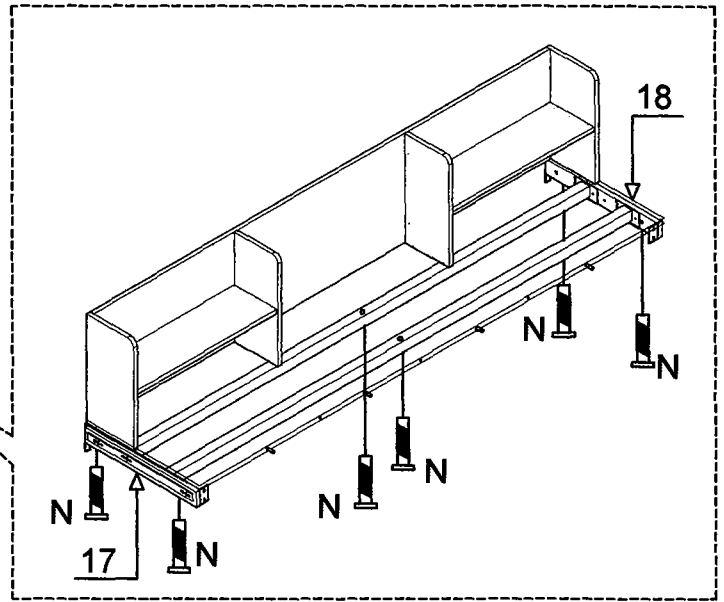
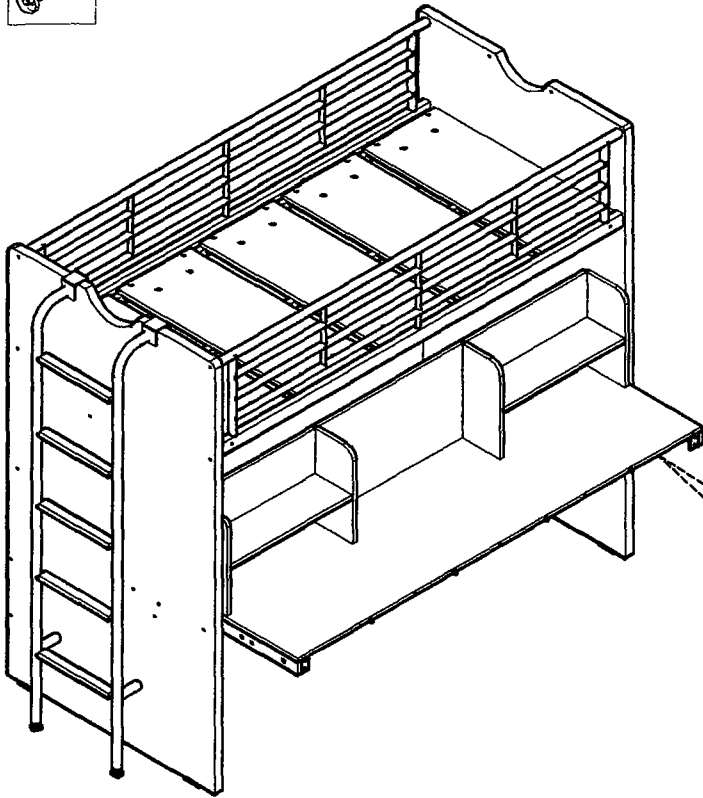
29



15

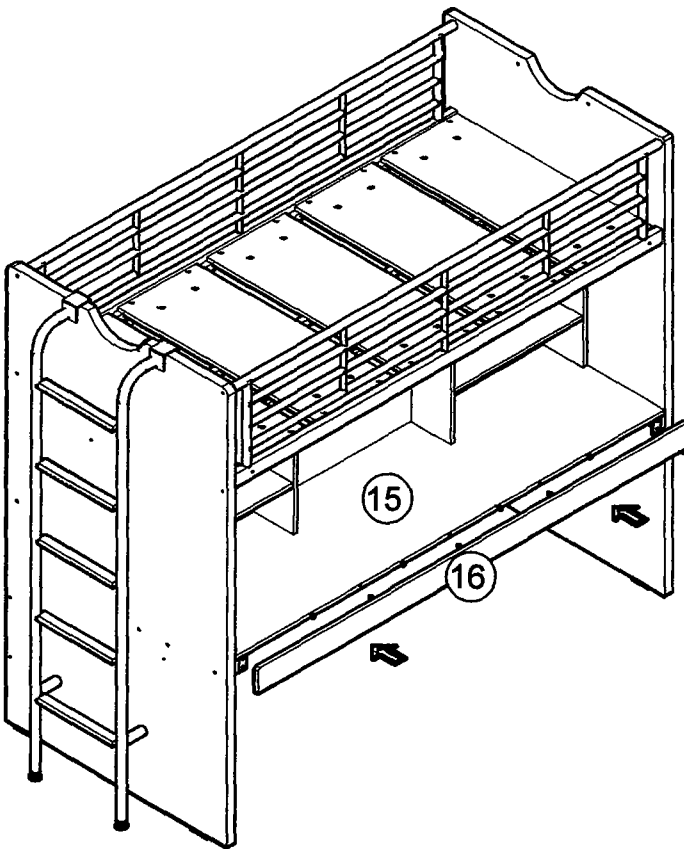
# BOHS 80

30  N x6

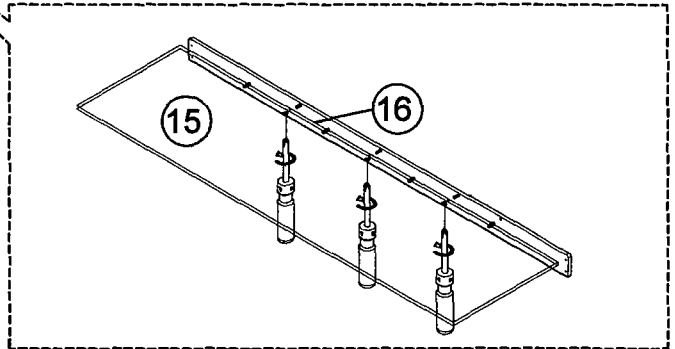


\* Please ensure that the front end of table panel (Part 18 & 17) is level with the front end of metal table front end (Part 22) before fitting the plinth panel (Part 16). Finally tighten all the screw.

31

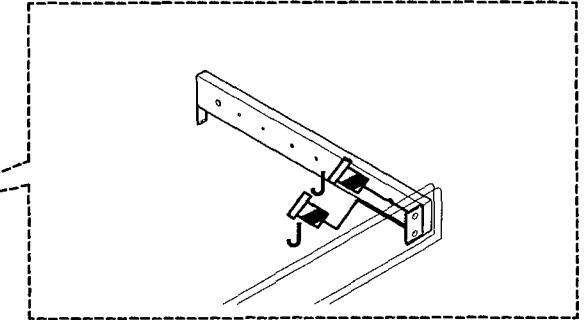
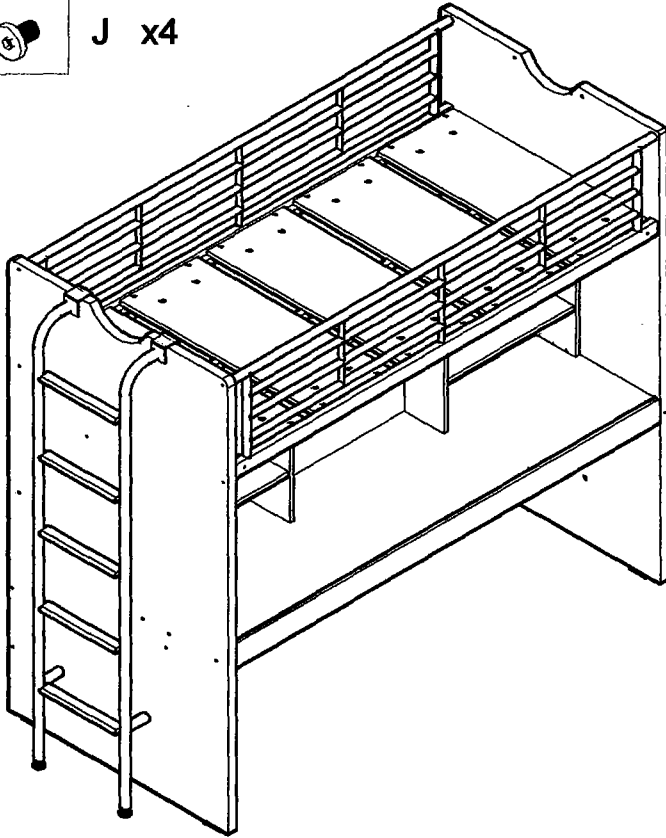


Push in the computer table before fasten part no16.



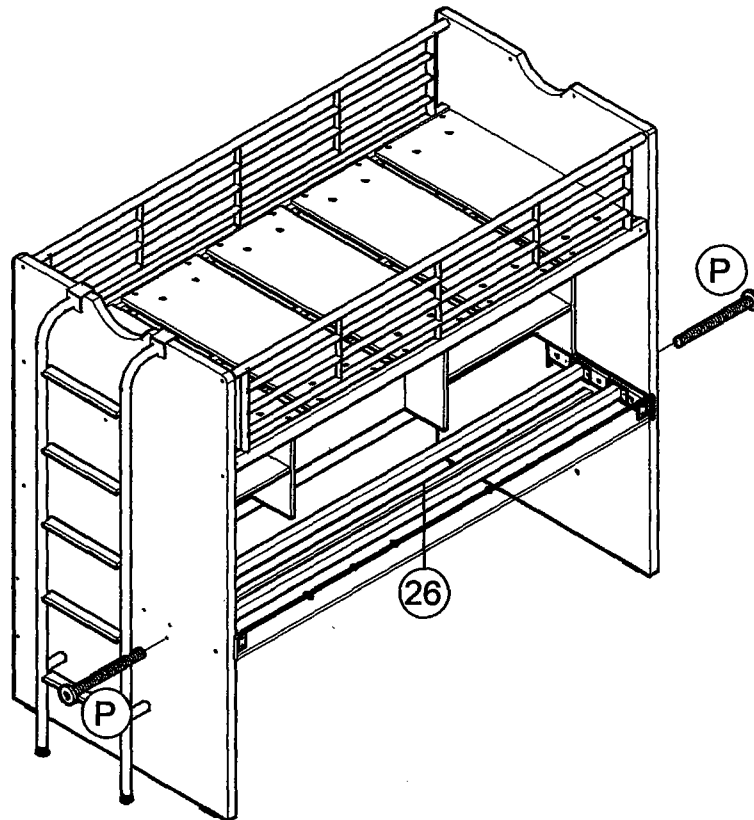
## BOHS 80

32 J x4



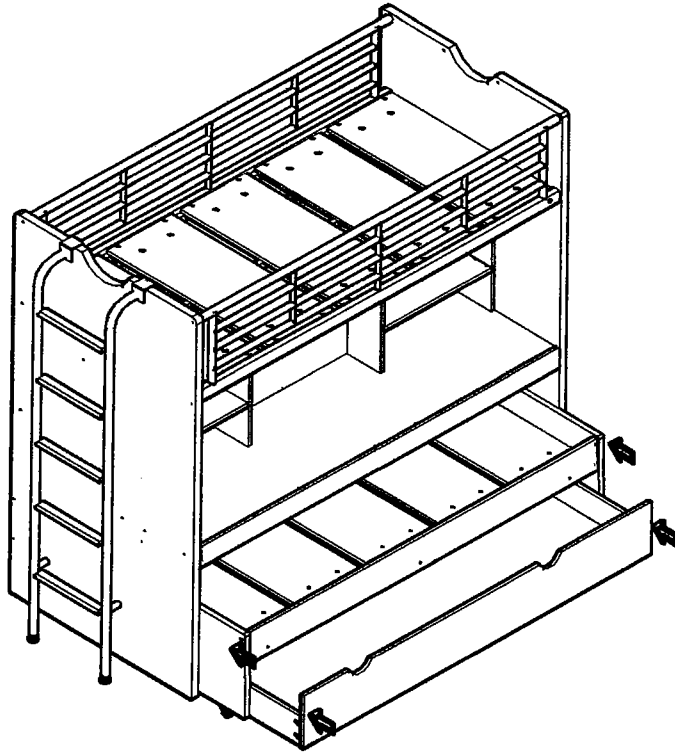
Then screw part no. 16 with 4pcs of ( J ) as shown.

33 P x2



# BOHS 80

34



35

