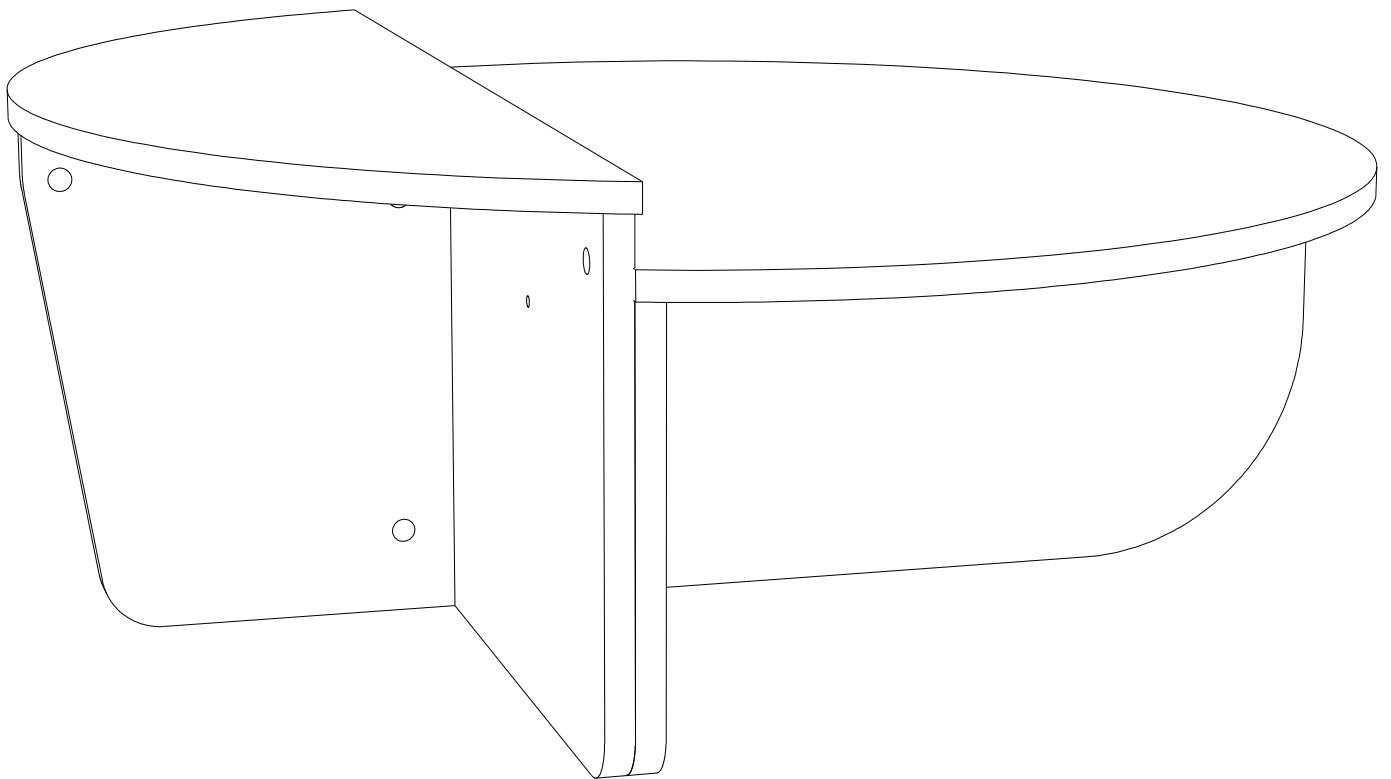


3 different combination options

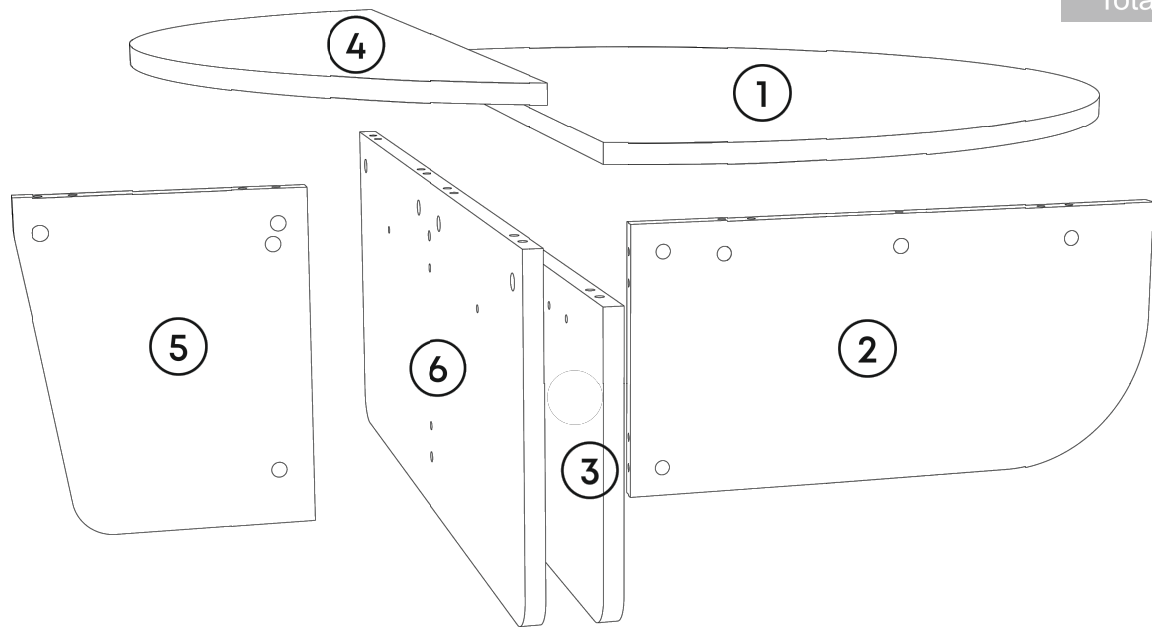


Coffee Table

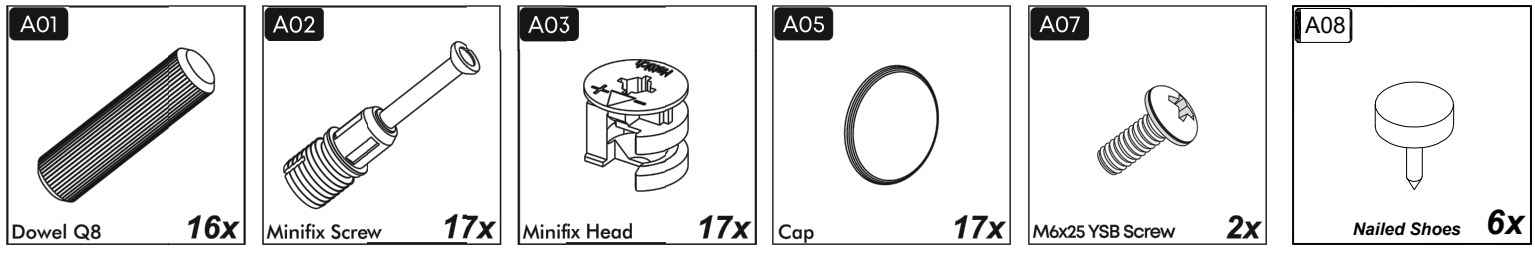
Assembly guide

Components

Part1	1x
Part2	1x
Part3	1x
Part4	1x
Part5	1x
Part6	1x
Total	6x

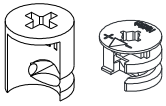


Accessory Parts

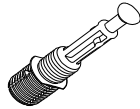


How to install Components

*Minifix is the main connection component used in our products. Before starting, please check the below figures.



MINIFIX HEAD



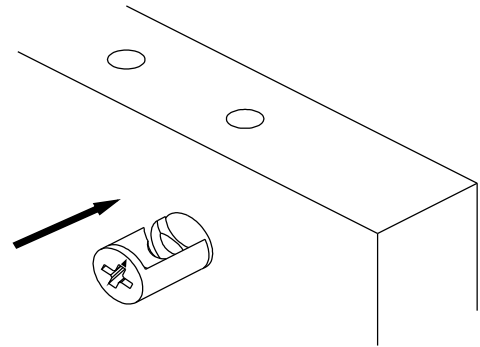
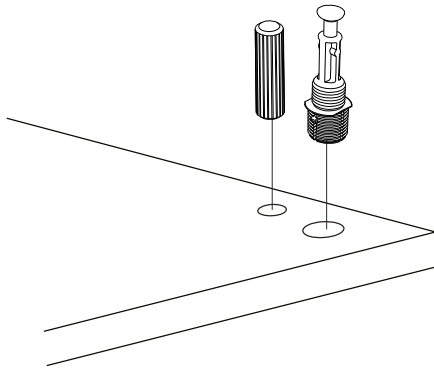
MINIFIX SCREW



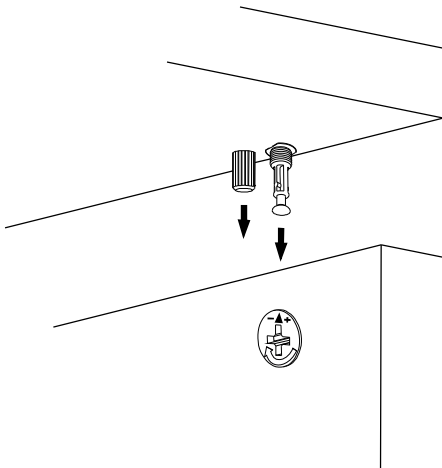
DOWEL

If the dowel is not required during the installation phase, it is not included in the package.

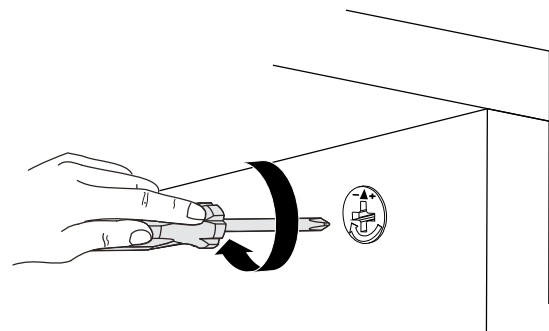
*Please notice that there is an small arrow on A03 (minifix head). This arrow should show the direction of upper hole.



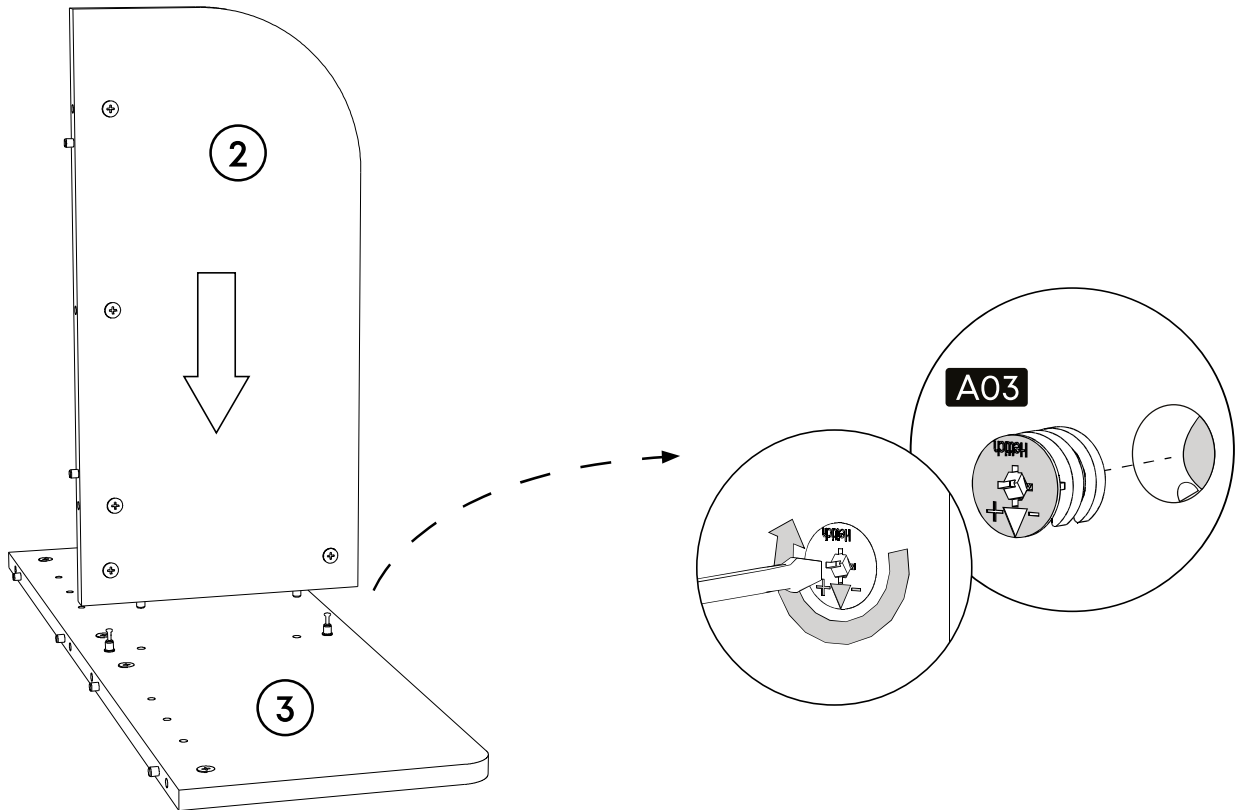
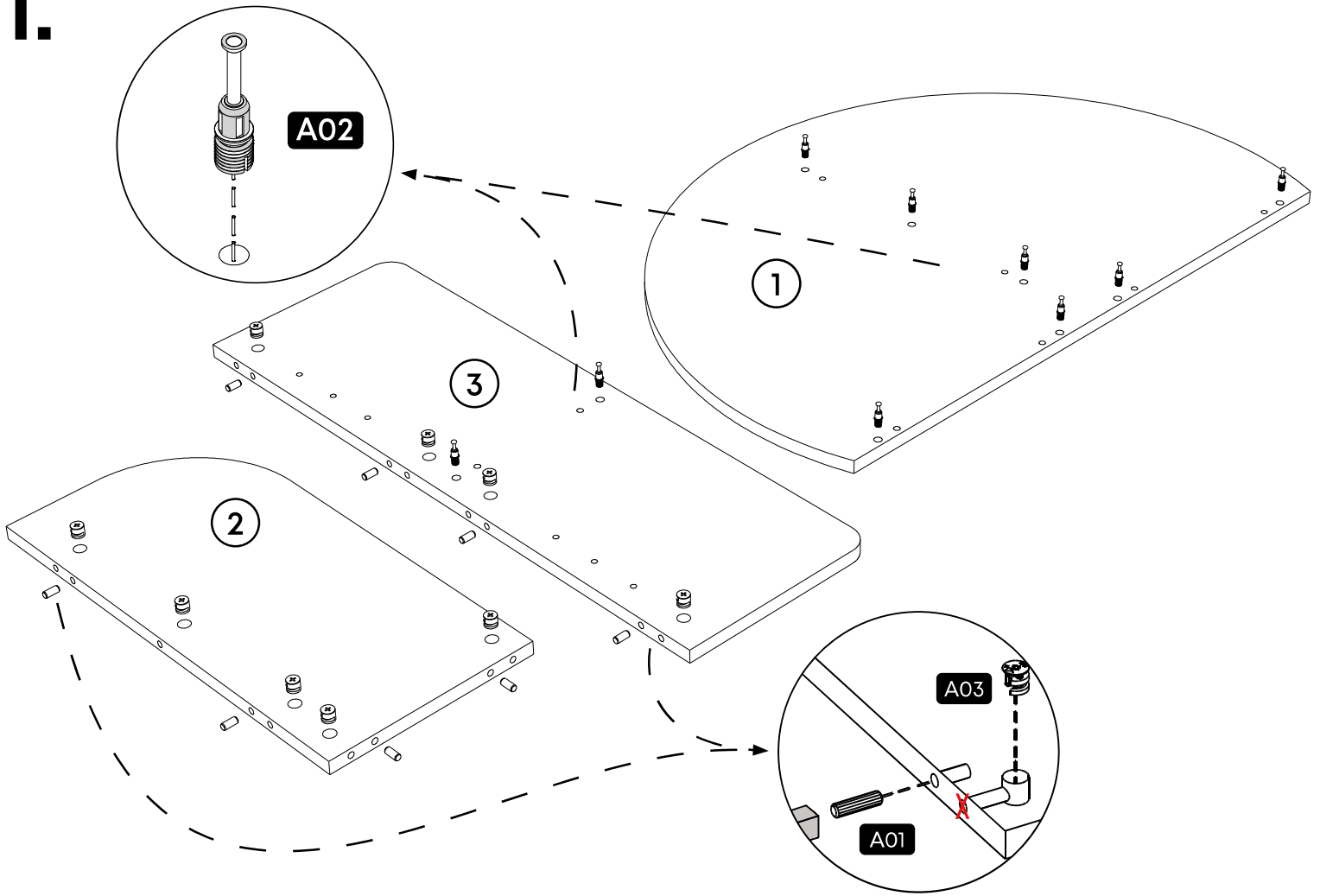
*After attaching two pieces please turn the A03 (minifix head) clockwise direction with the help of a screwdriver.



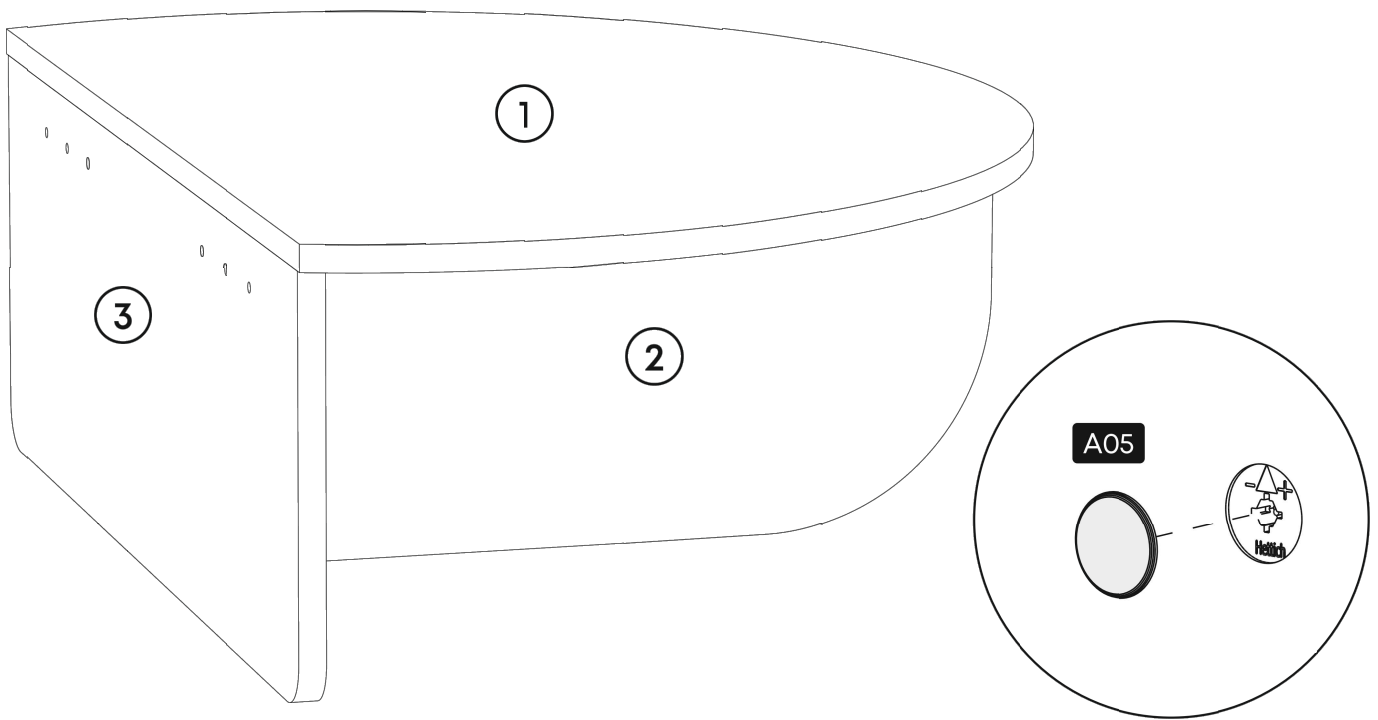
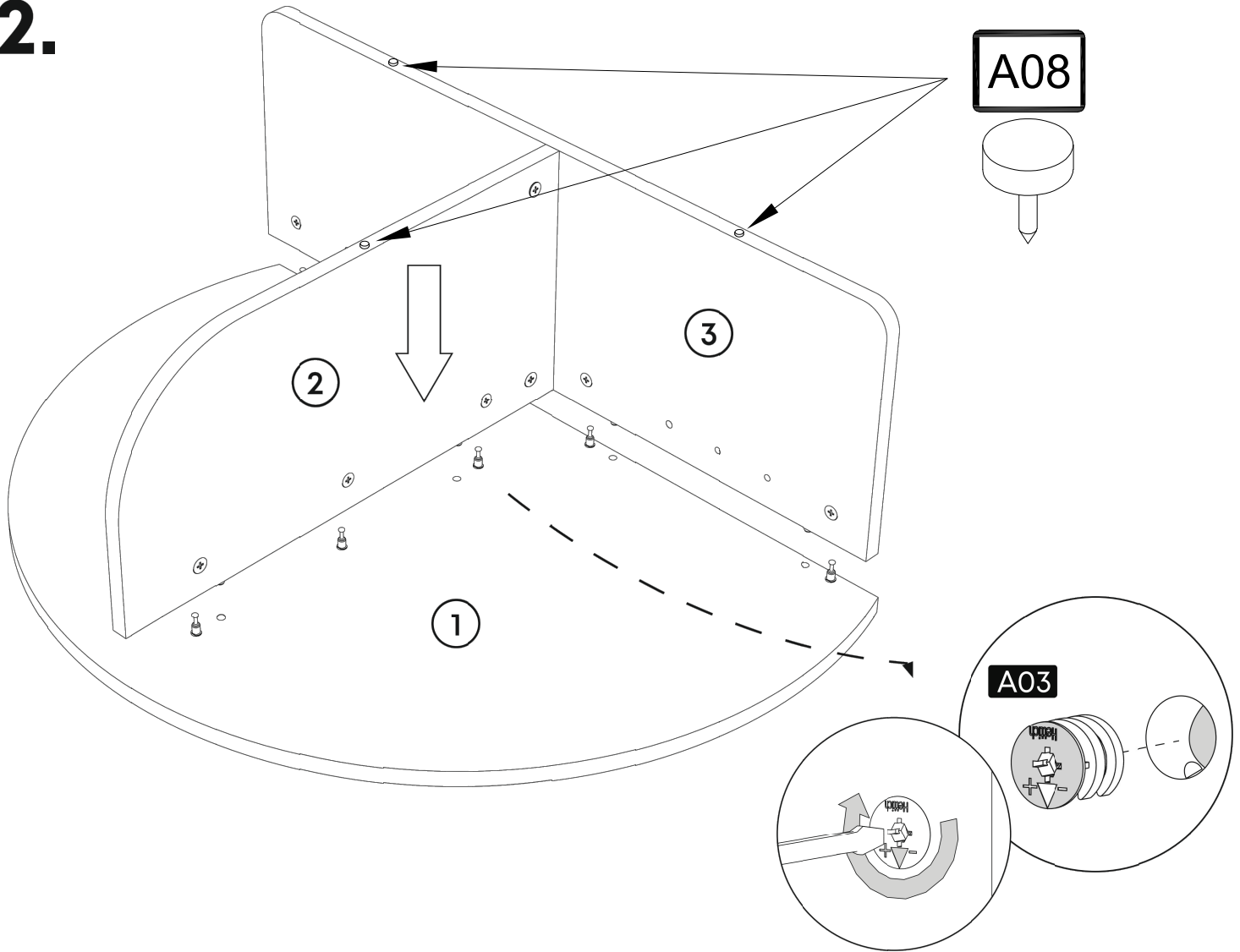
*Please do not over screw the minifix head since it may be broken if too much power is imposed. Just make sure that it is screwed to the direction "+" do not go any further.



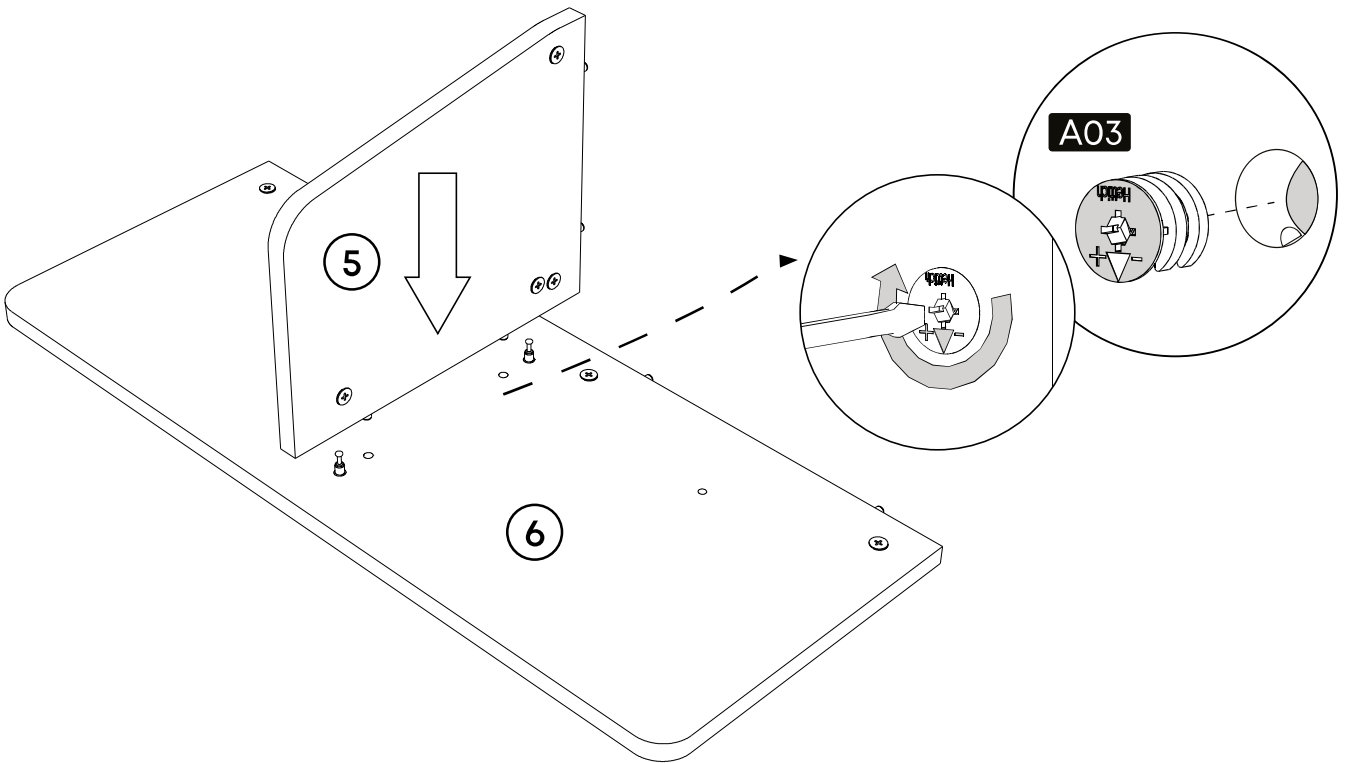
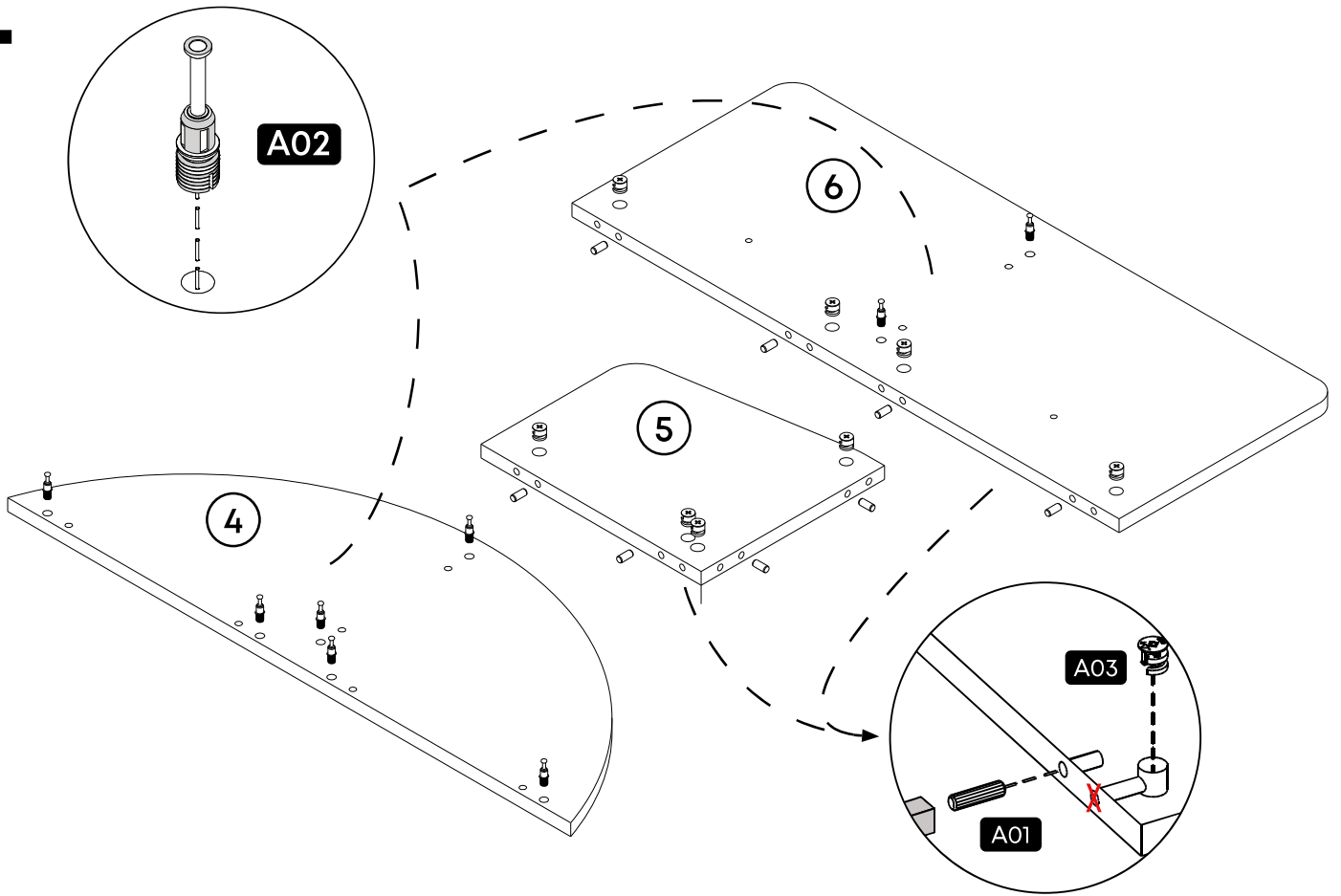
1.



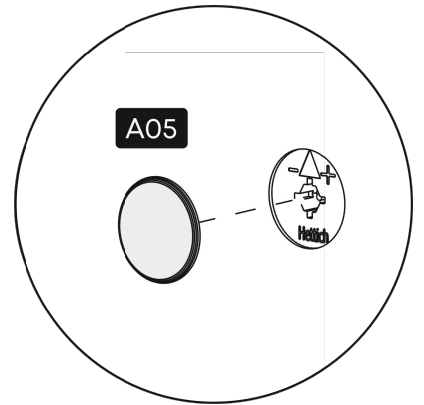
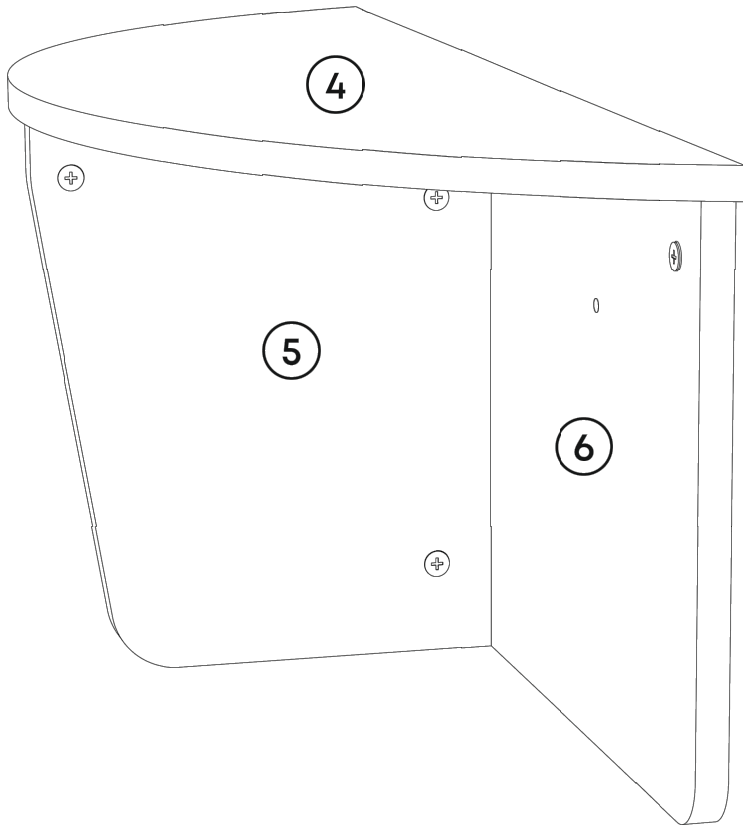
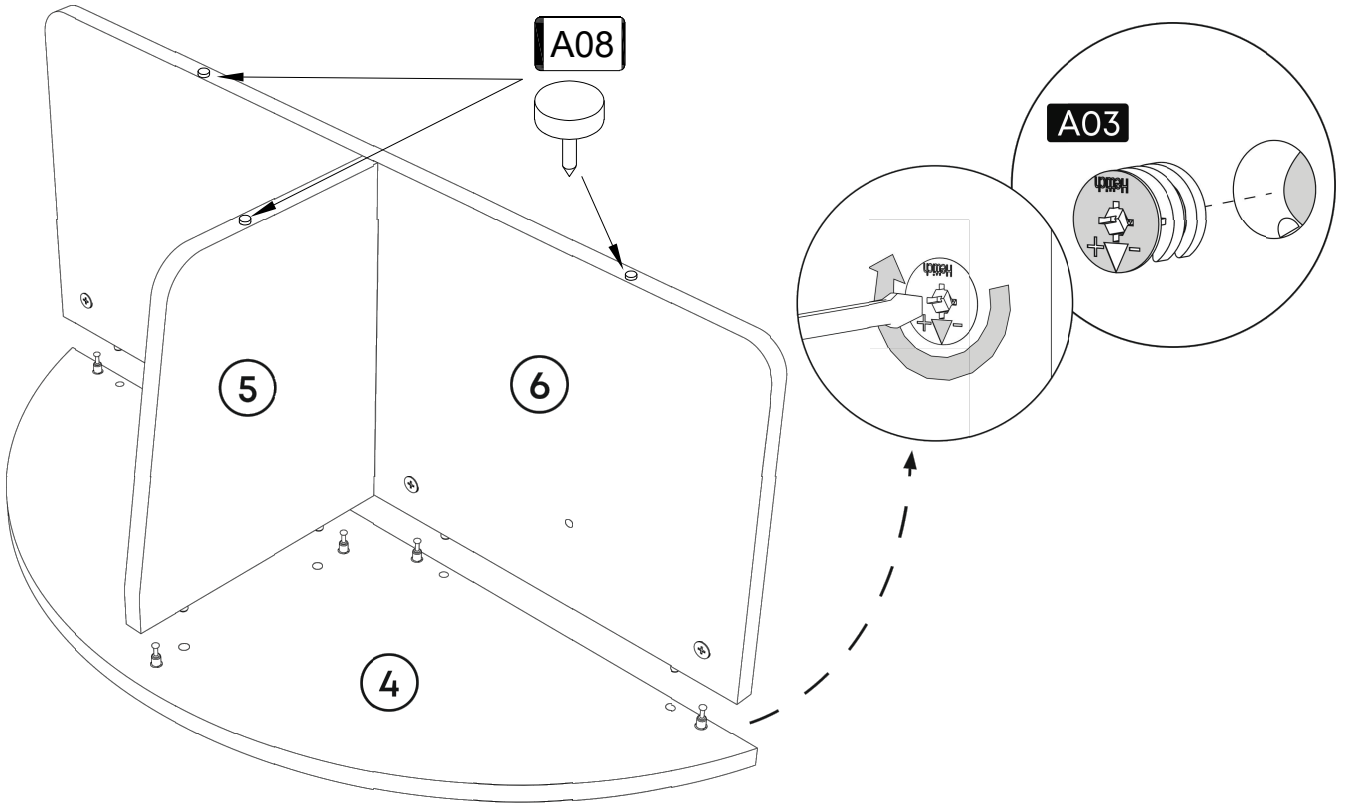
2.



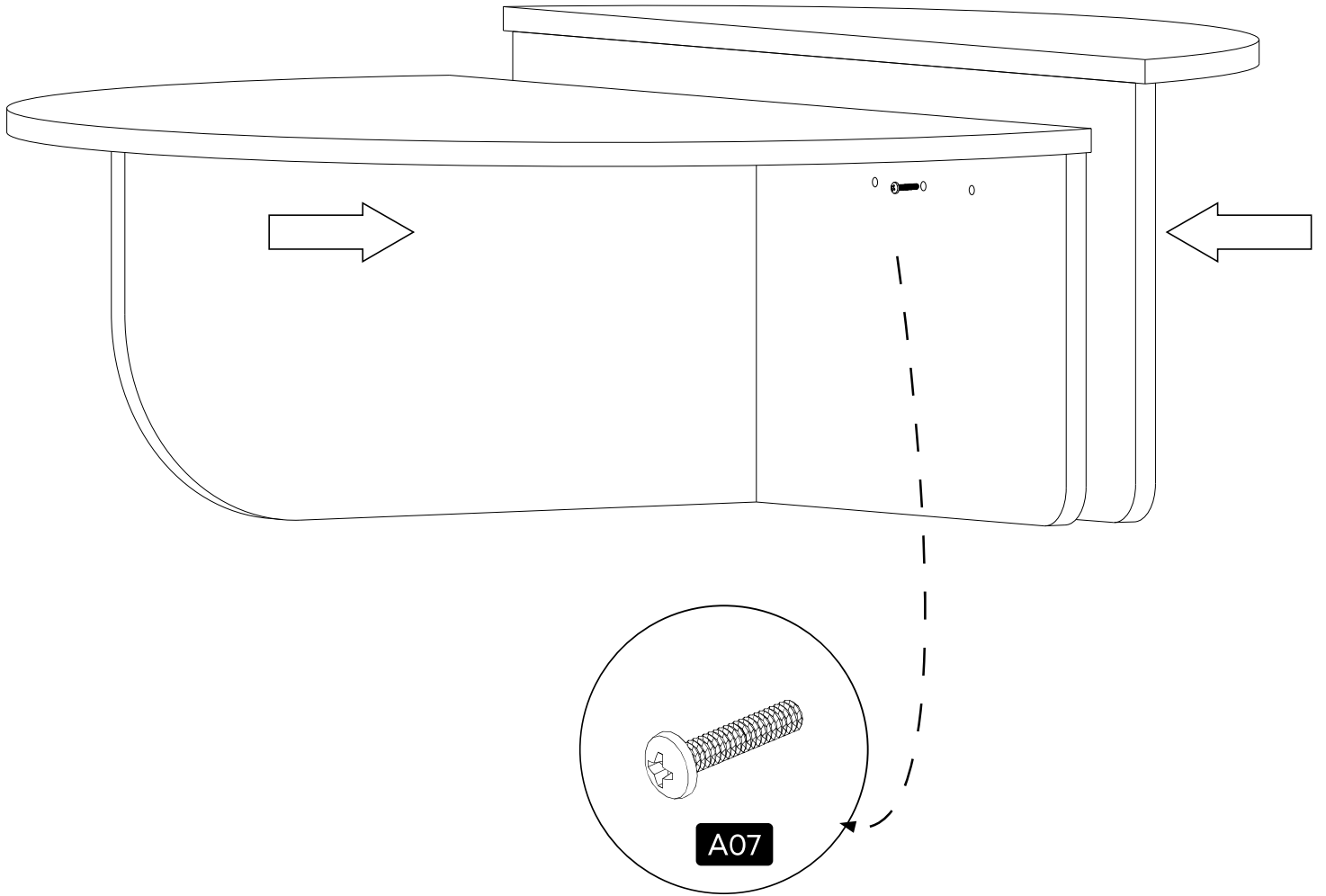
3.



4.



5.



**Congratulations,
You finish the assembly.**



