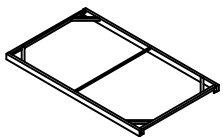
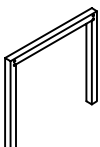
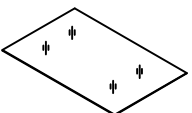




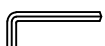
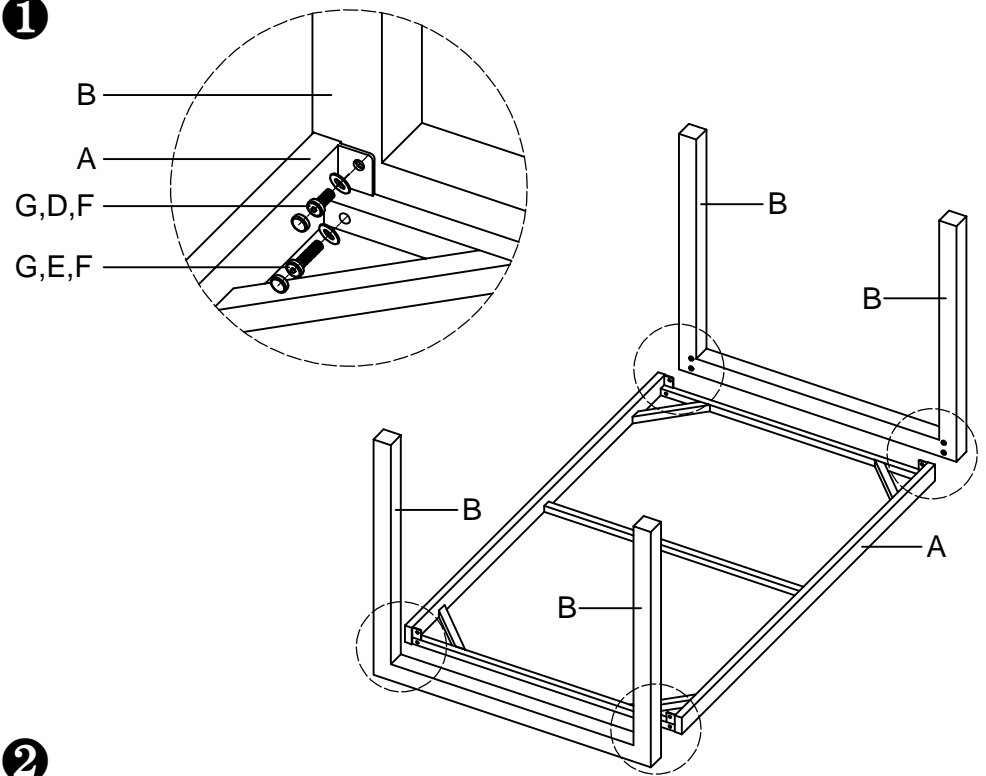


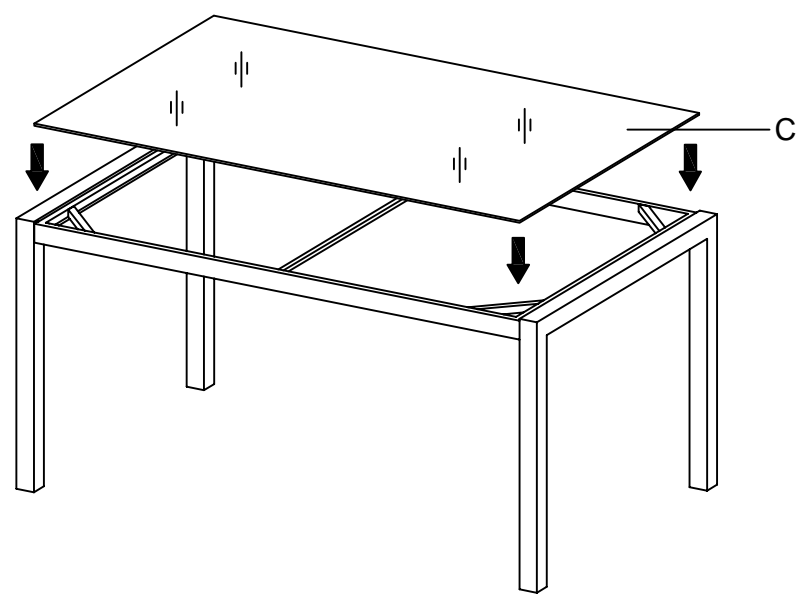
# ASSEMBLY INSTRUCTIONS

A		1
B		2
C		1
D		4
E		4
F		8
G		8
H		1

**1**



**2**



**3**

