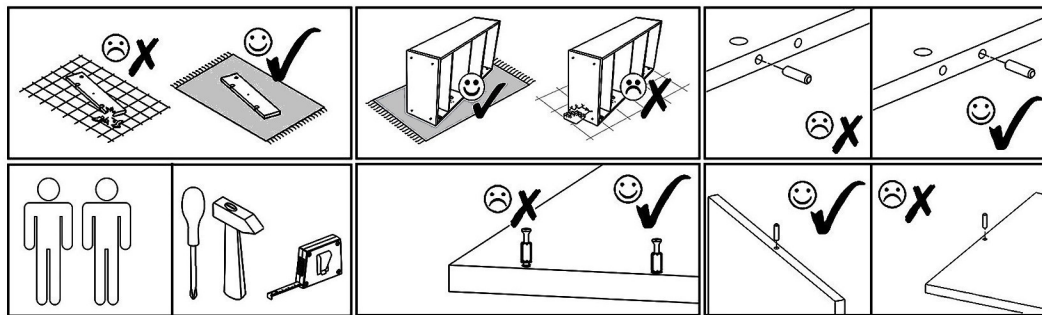
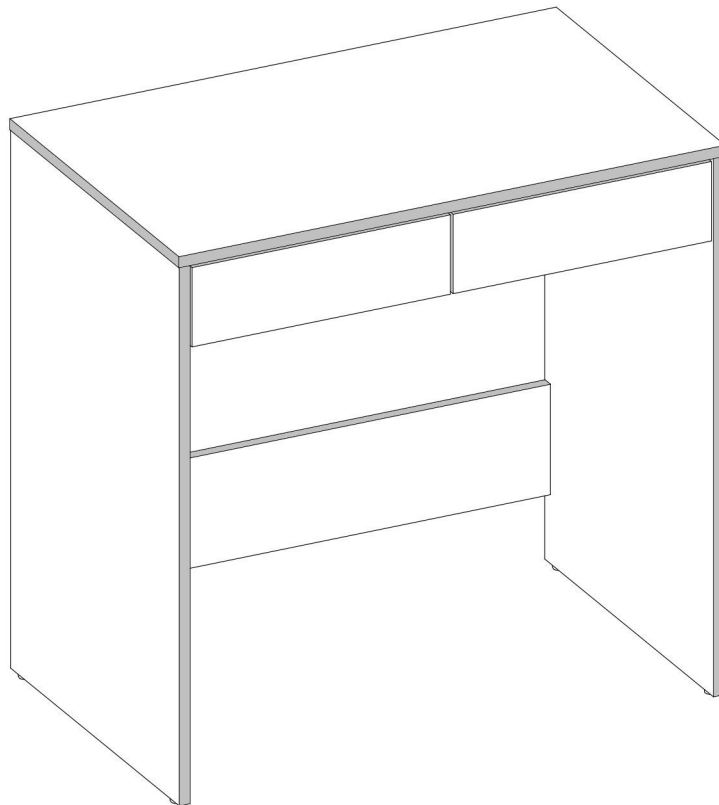
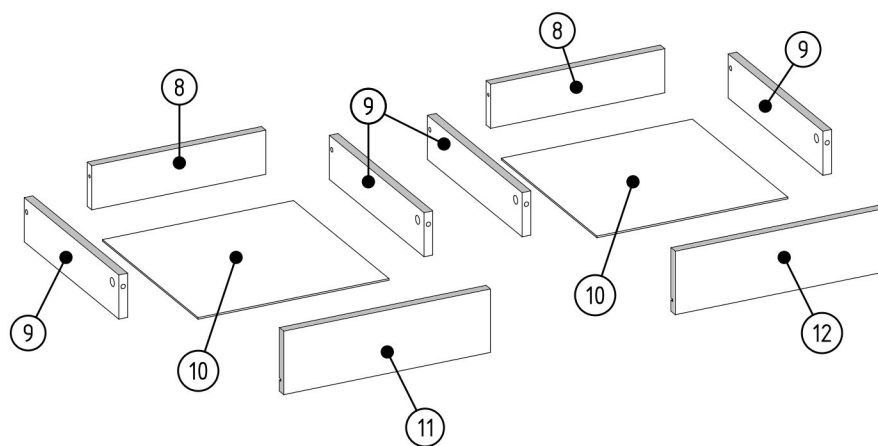
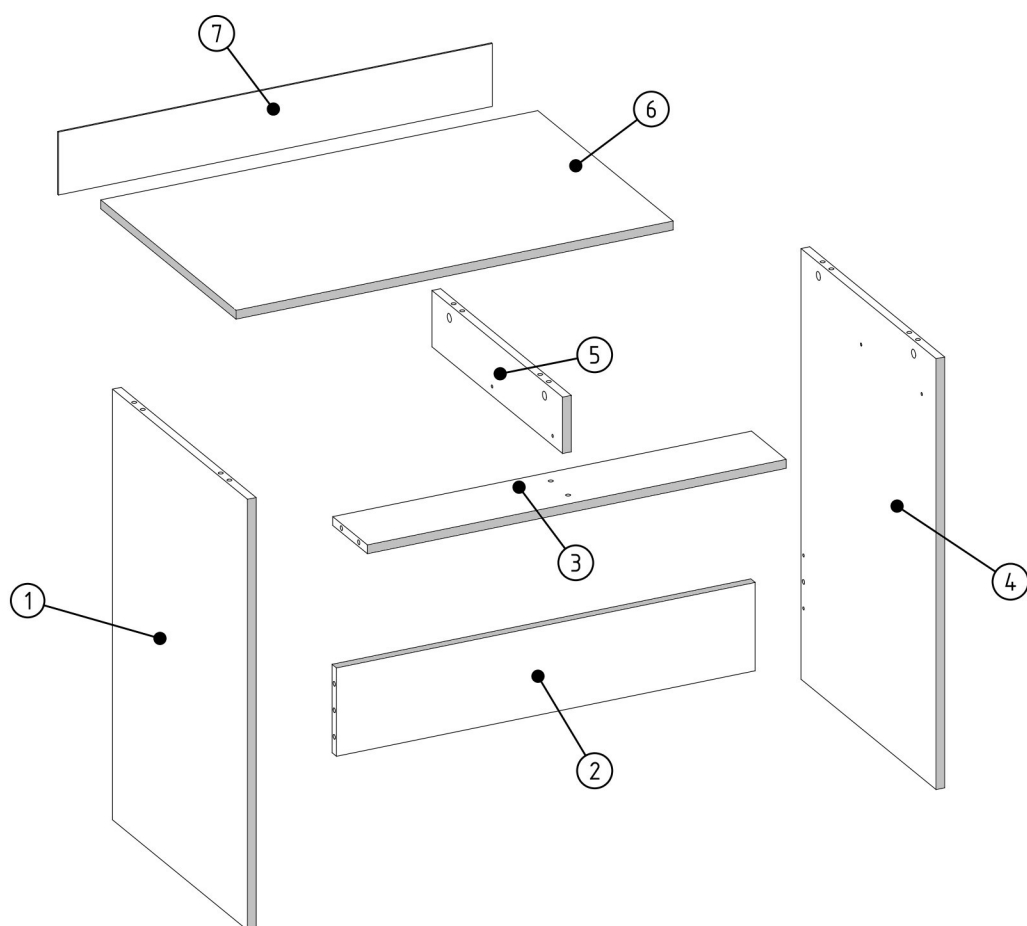


20/07/2023

MARINA 2S









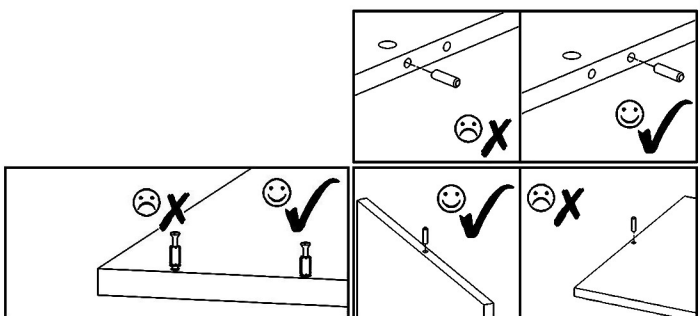
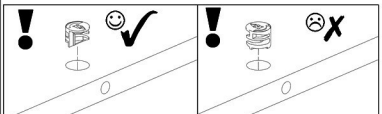
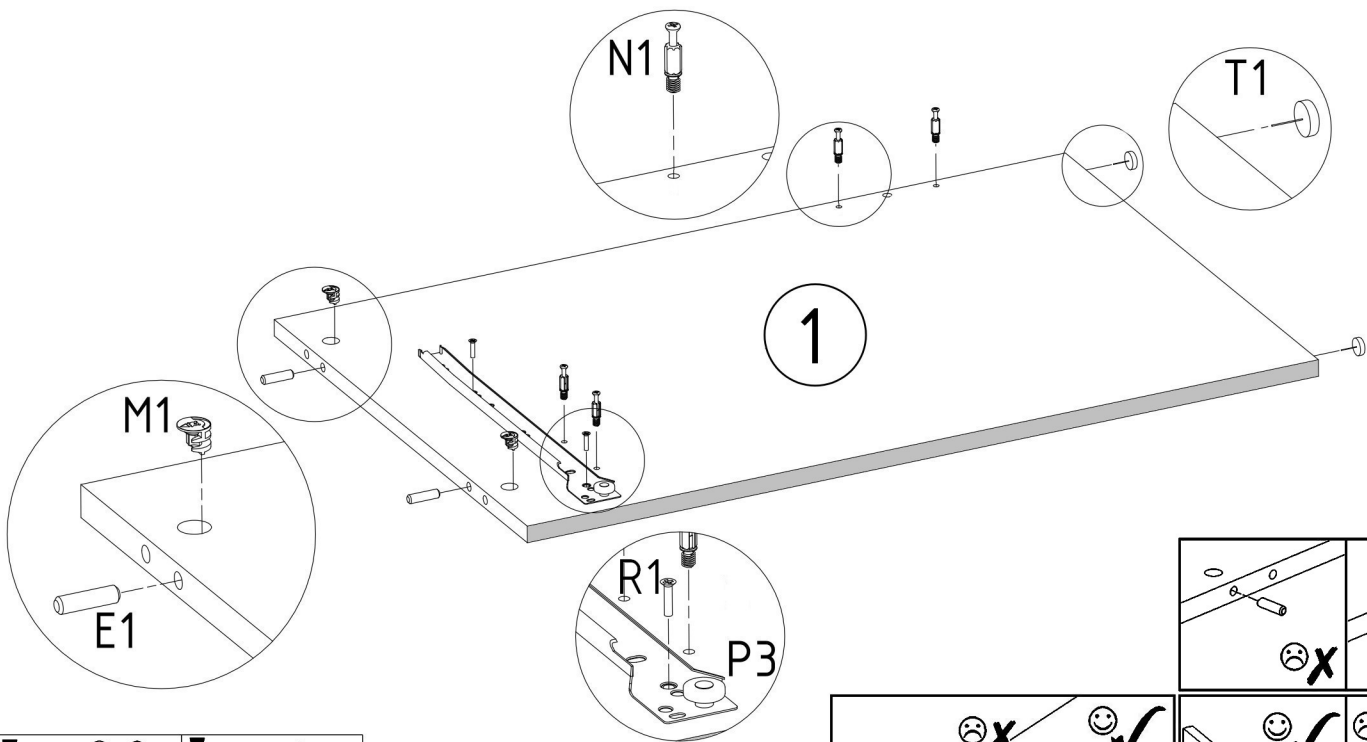
Z1 x40	S1 x8 3,5x16mm	B1 x8 B $\phi 17/4$ mm	S8 x2 4x35mm				
N1 x18 L=35mm	M1 x18 12x15mm	E1 x8 8x30mm	P3 x2 L=350mm	R1 x8 6x8mm	T1 x4	F1 x4 7x50mm	F3 x1





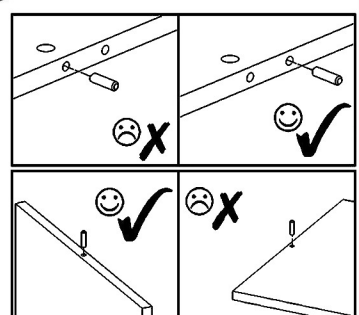
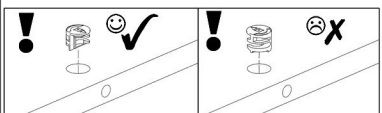
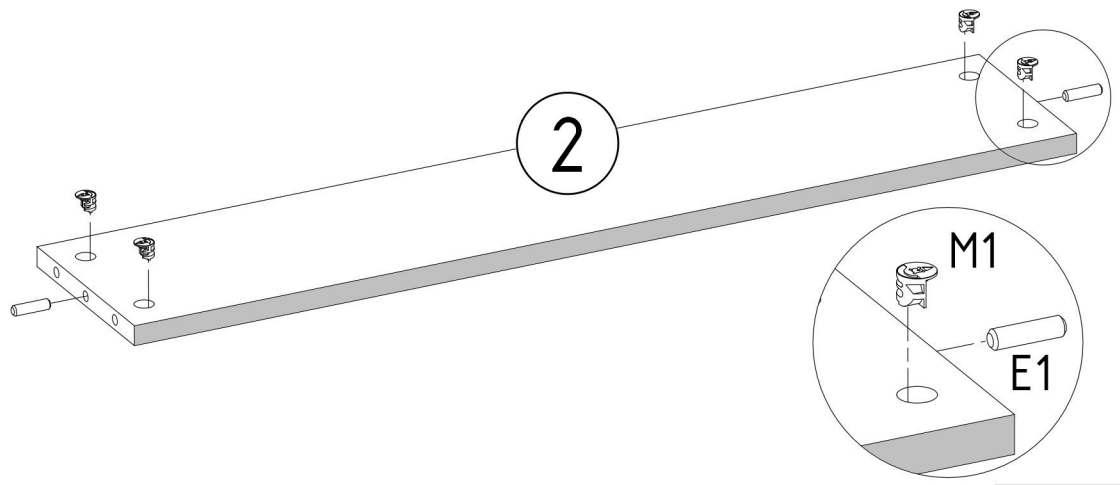
1	x	1
2	x	1
3	x	1
4	x	1
5	x	1
6	x	1
7	x	1
8	x	2

9	x	4
10	x	2
11	x	1
12	x	1


N1  L=35mm X4	M1  12x15mm X4	E1  8x30mm X2	P3  L=350mm X2	R1  6x8mm X1	T1  X2
--	--	---	--	--	---



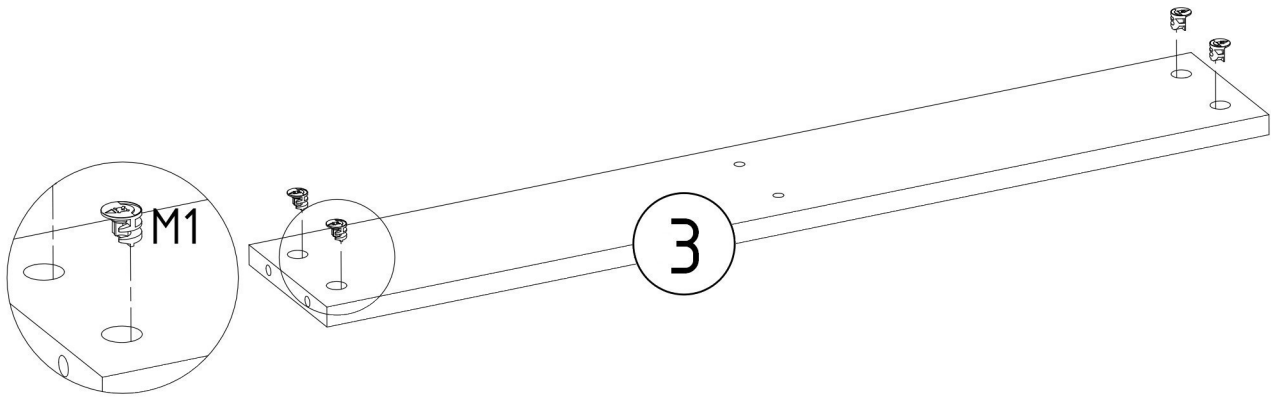
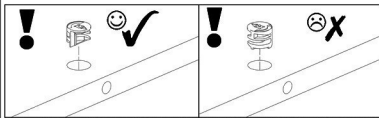
M1  12x15mm X4	E1  8x30mm X2
---	---



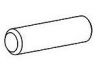





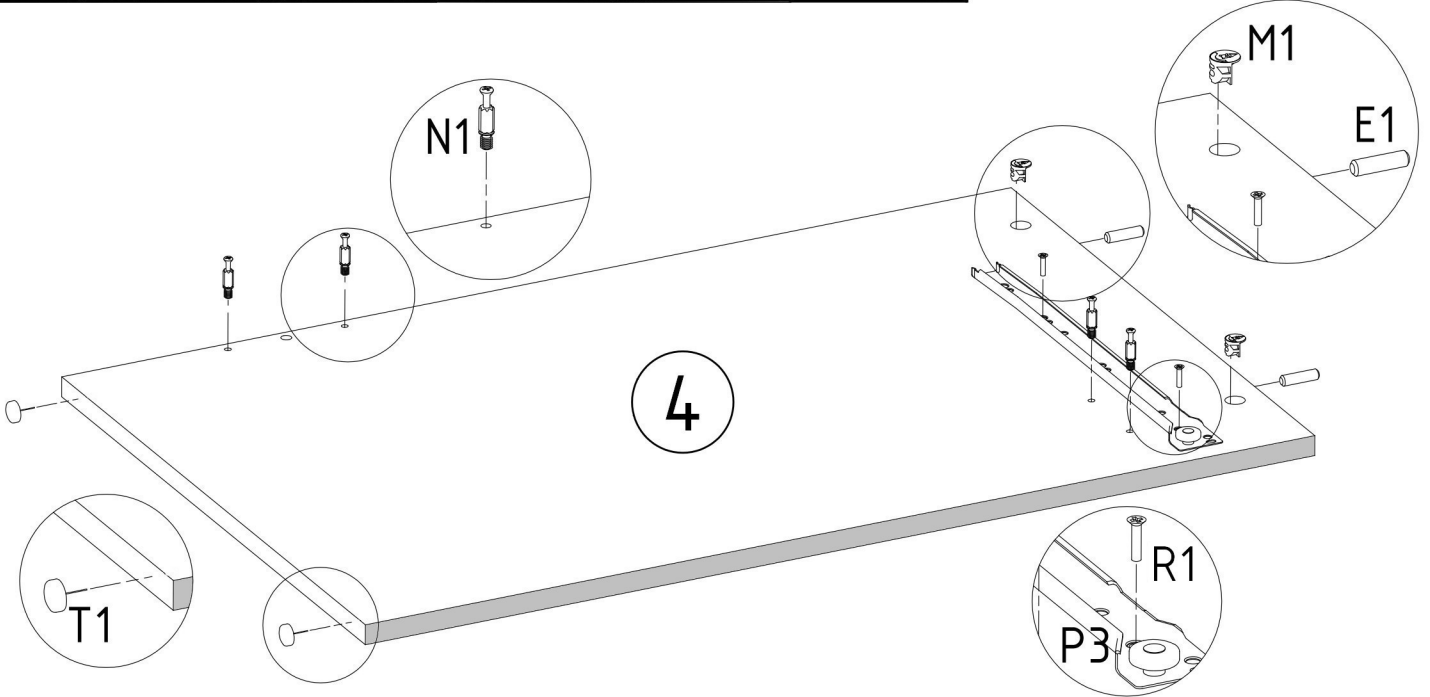
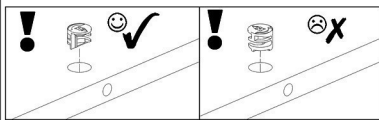
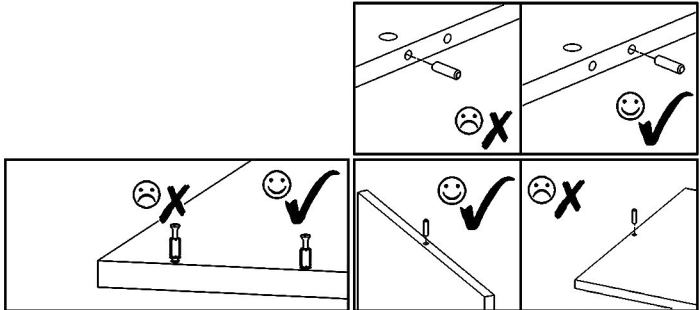
M1

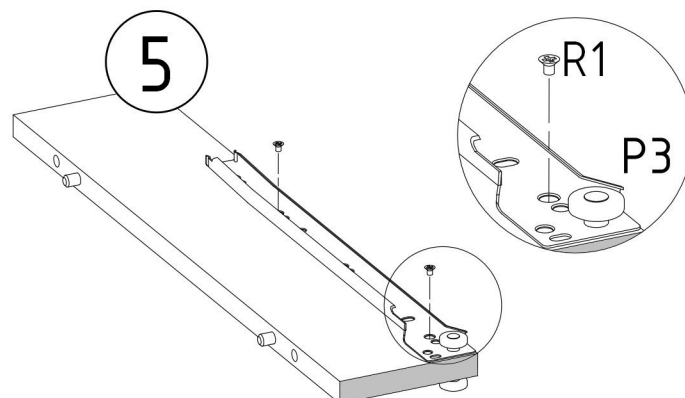
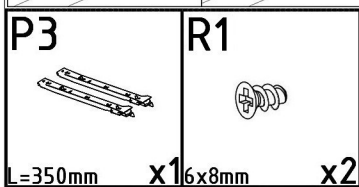
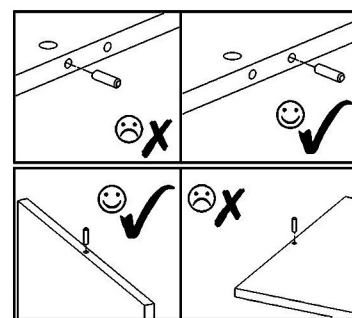
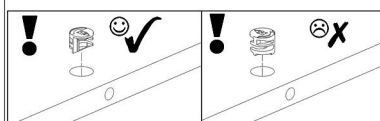
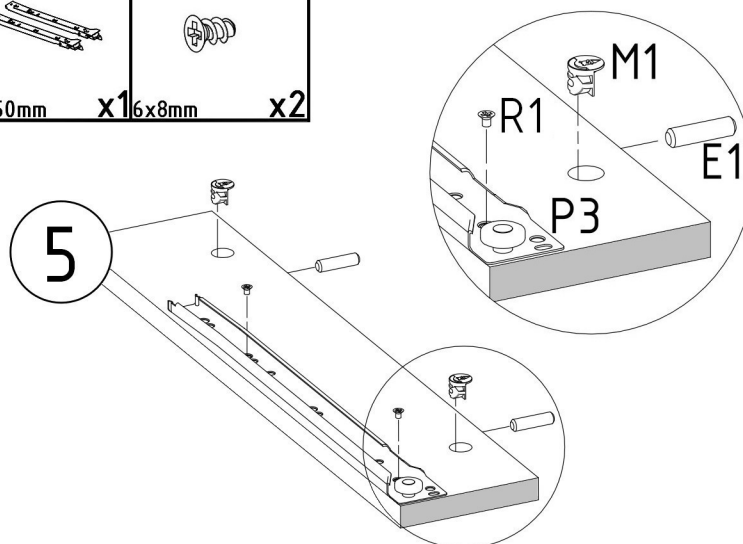
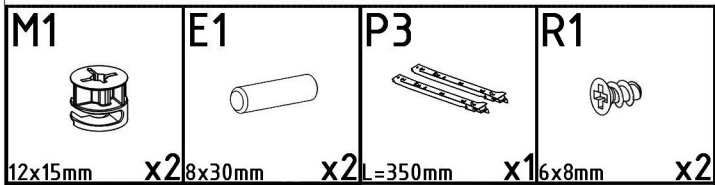
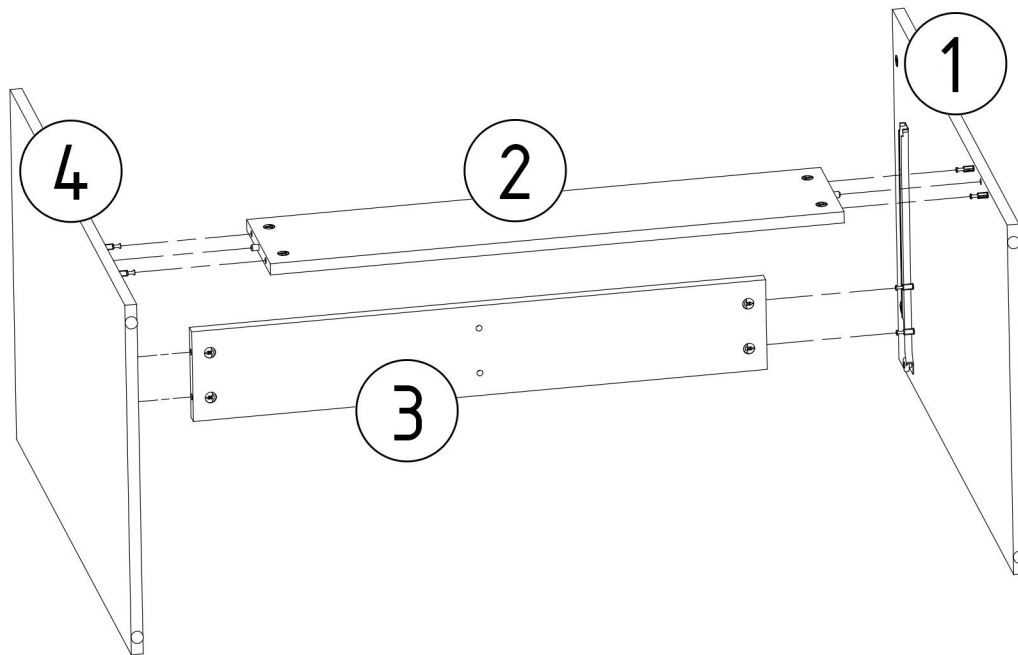


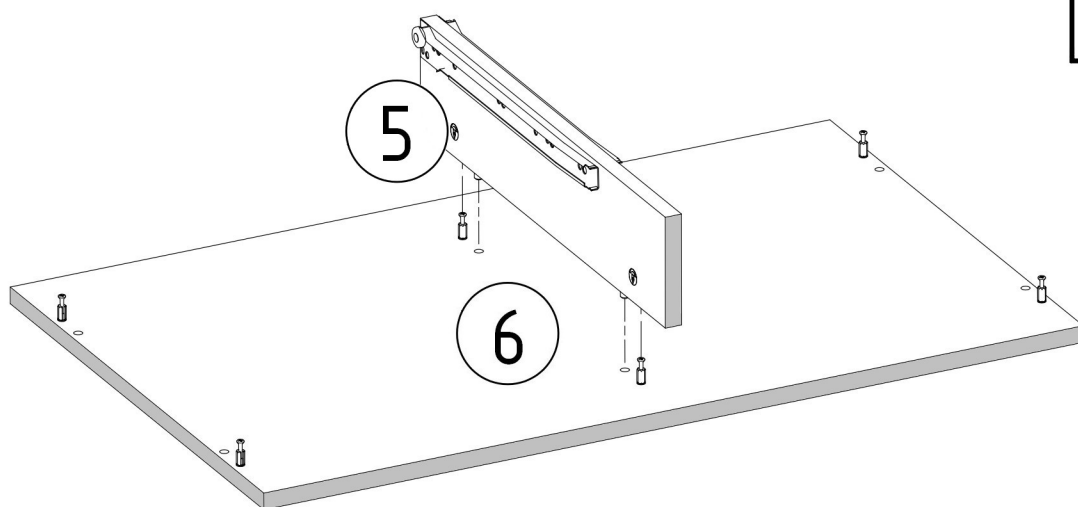
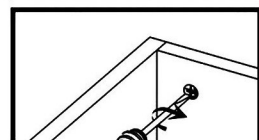
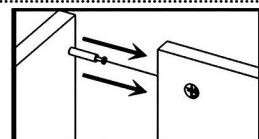
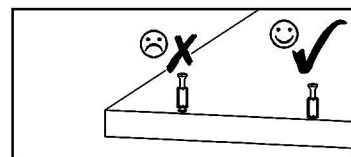
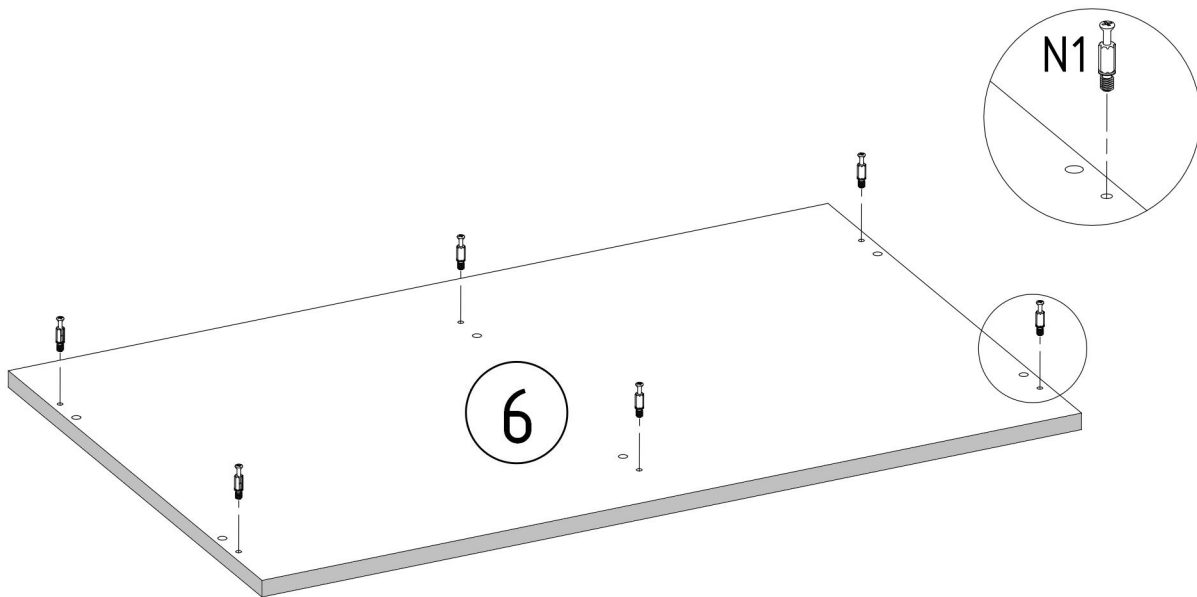
12x15mm **x4**





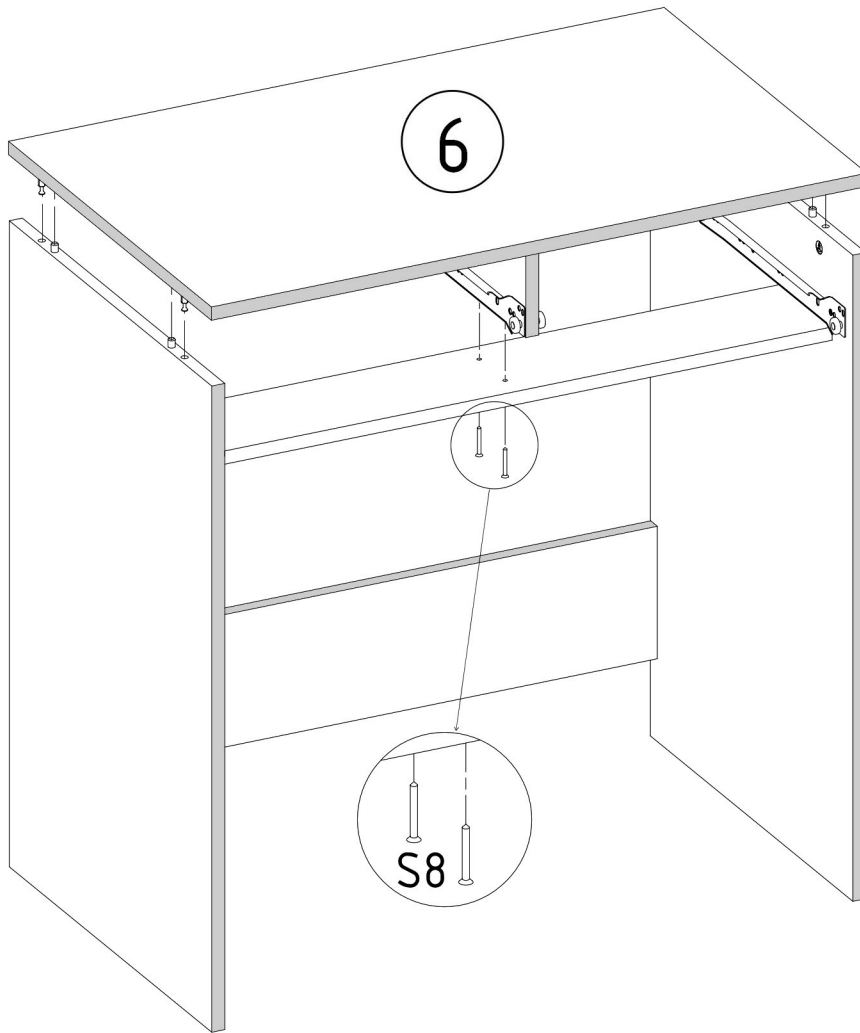
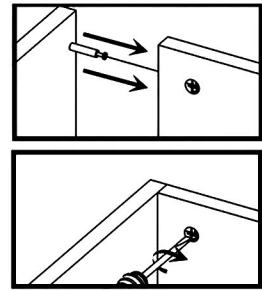
N1	M1	E1	P3	R1	T1
					
L=35mm x4	12x15mm x4	8x30mm x2	L=350mm x1	6x8mm x2	x2






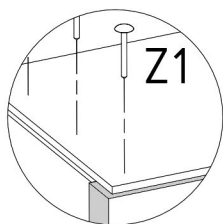
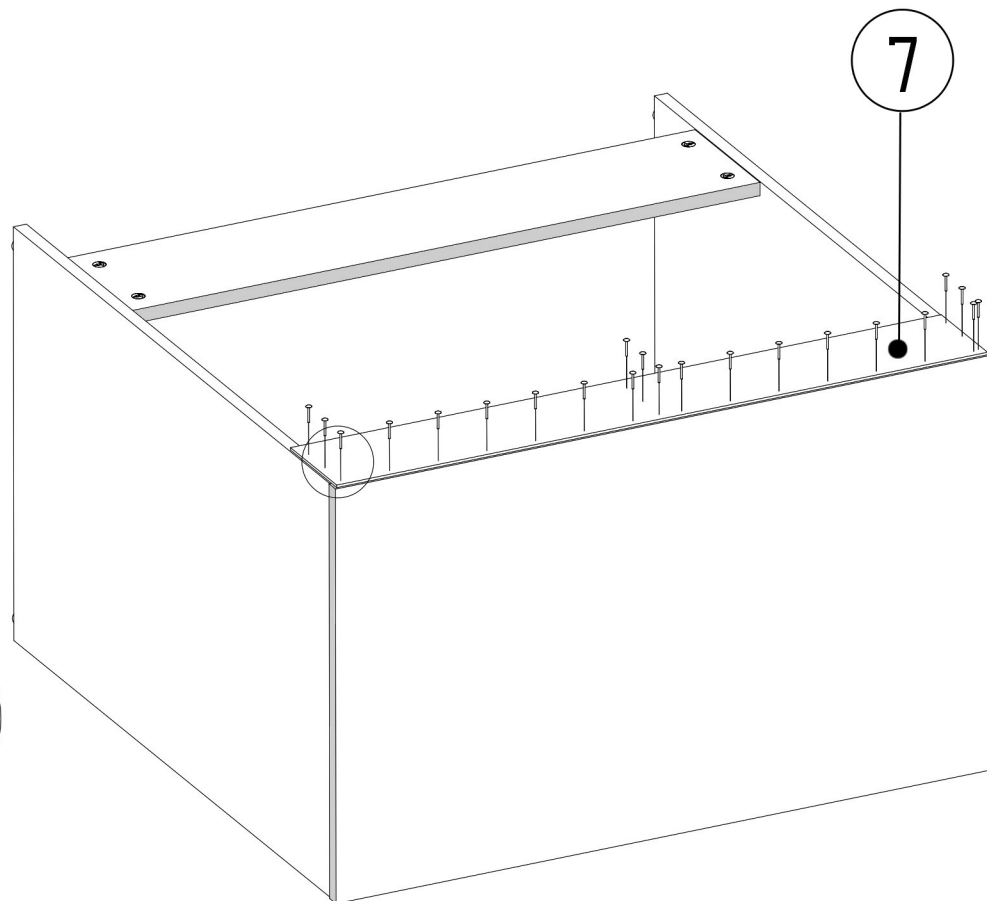
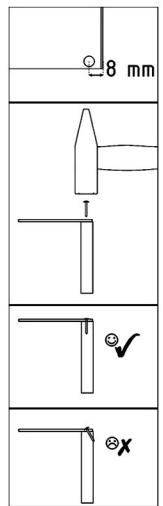





S8

4x35mm x2



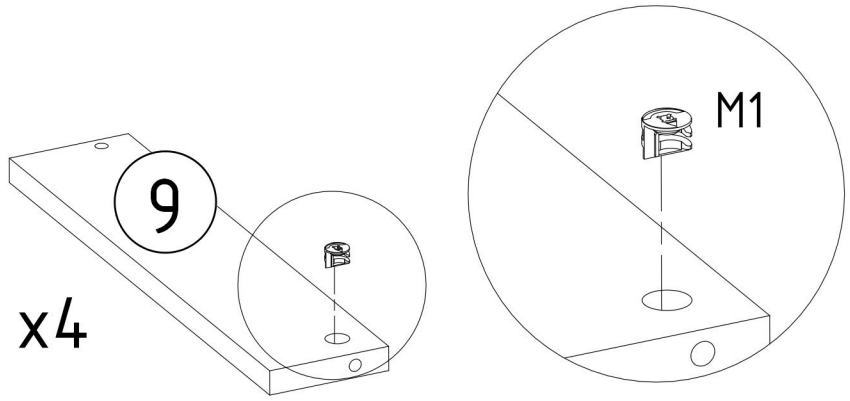
Z1

x25




M1



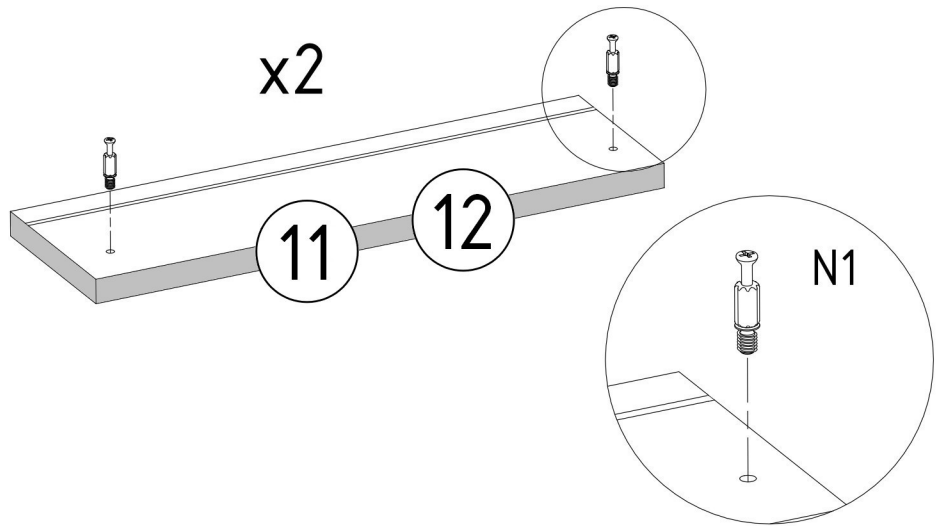
12x15mm **x4**




N1



L=35mm **x4**

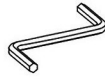
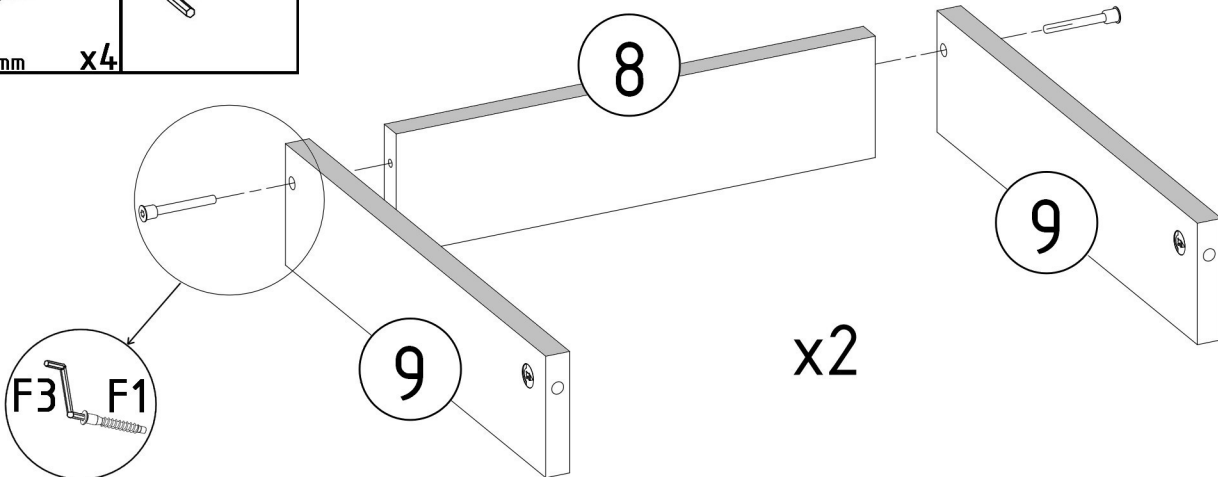


F1



7x50mm **x4**

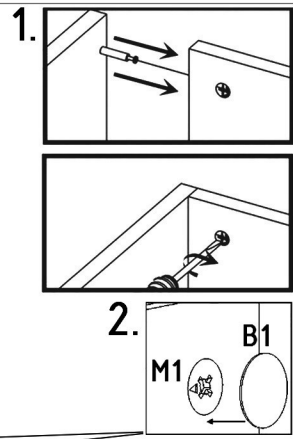
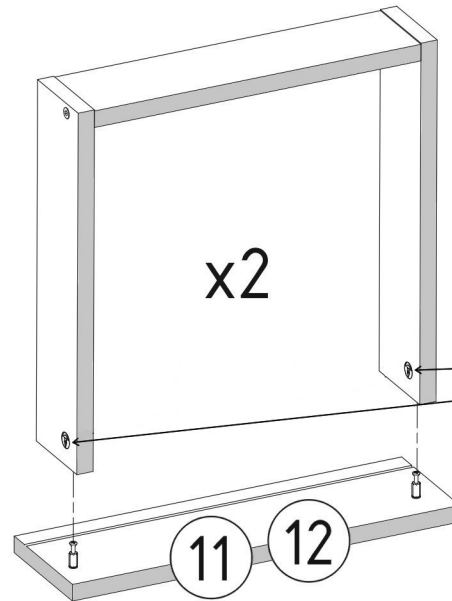
F3

B1



ø17/4mm x4



P3



L=350mm x2

S1

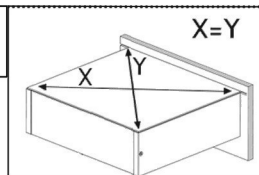


3,5x16mm x8

Z1

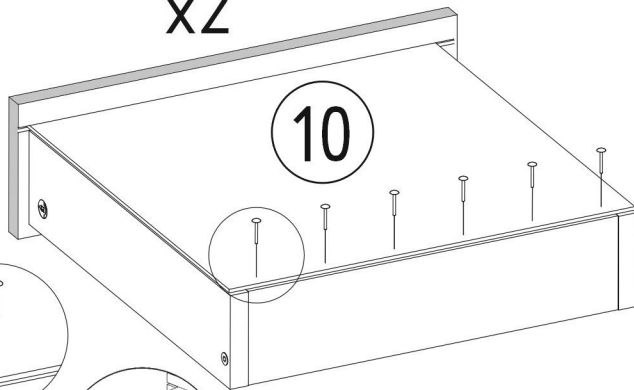


x15

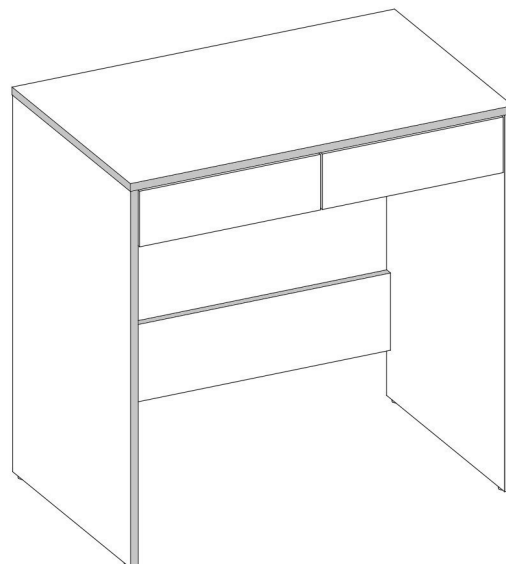
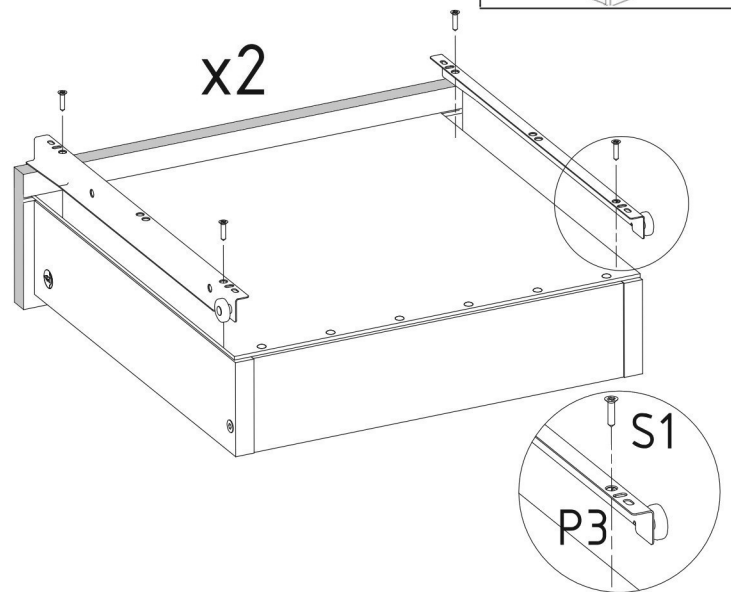


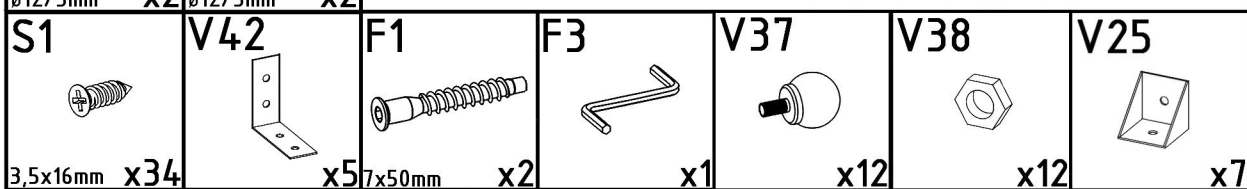
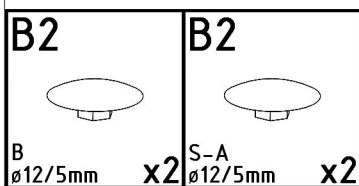
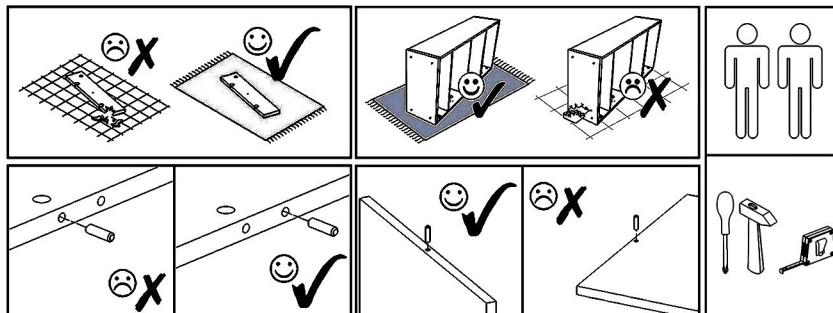
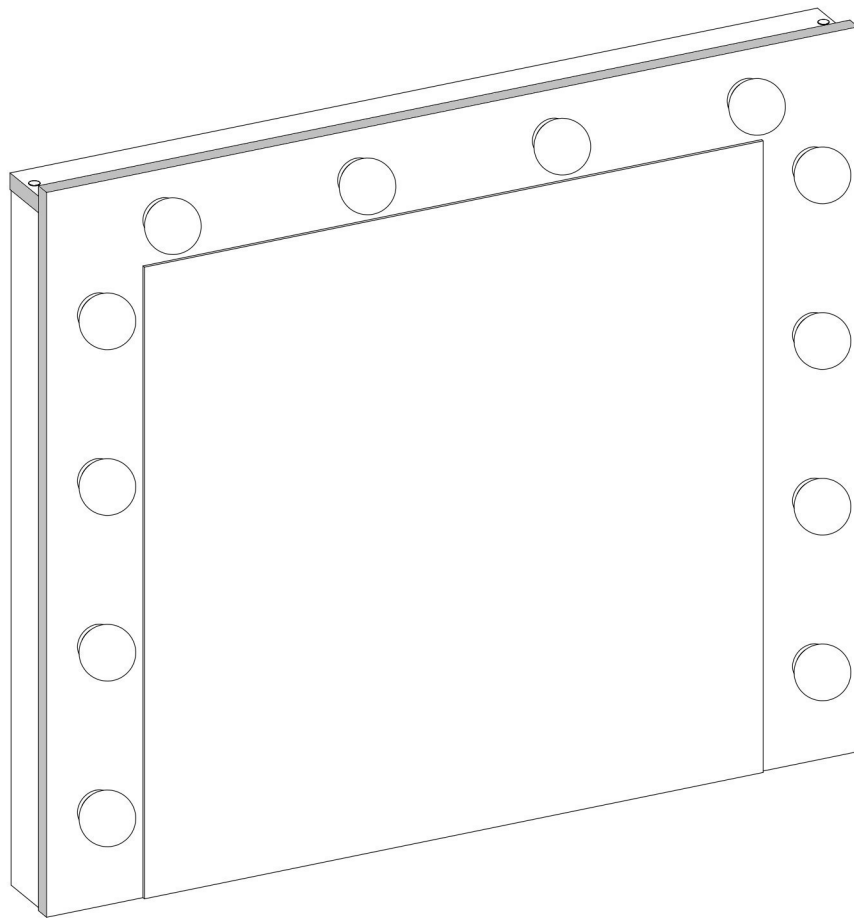
x2

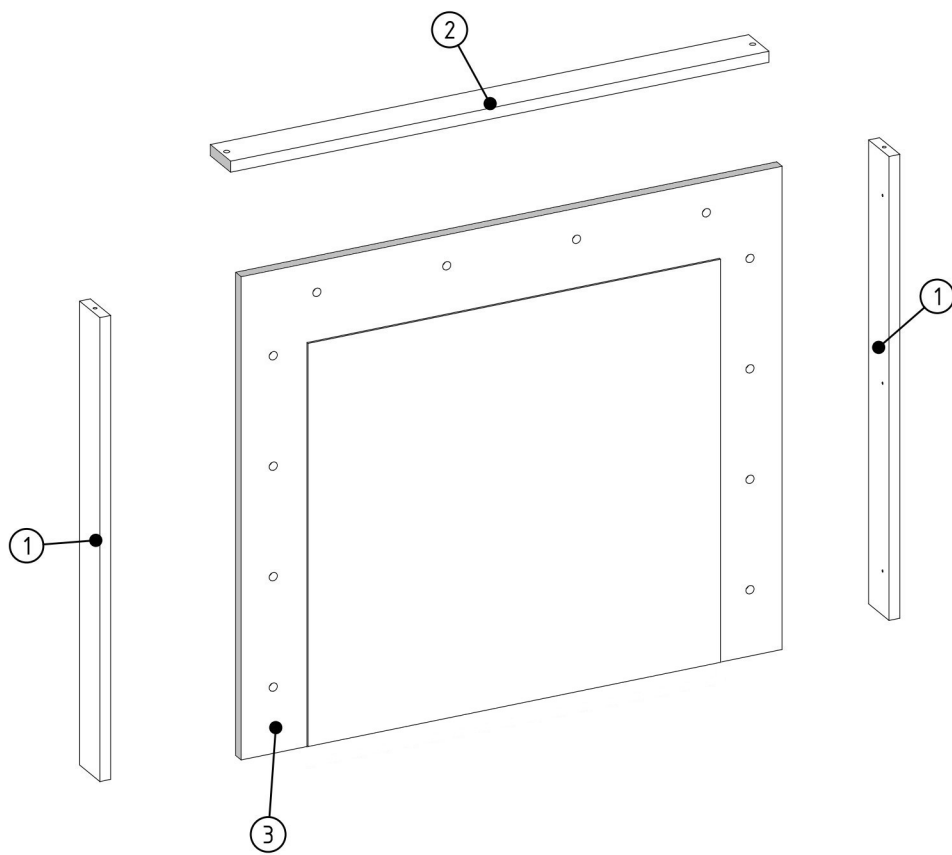
10



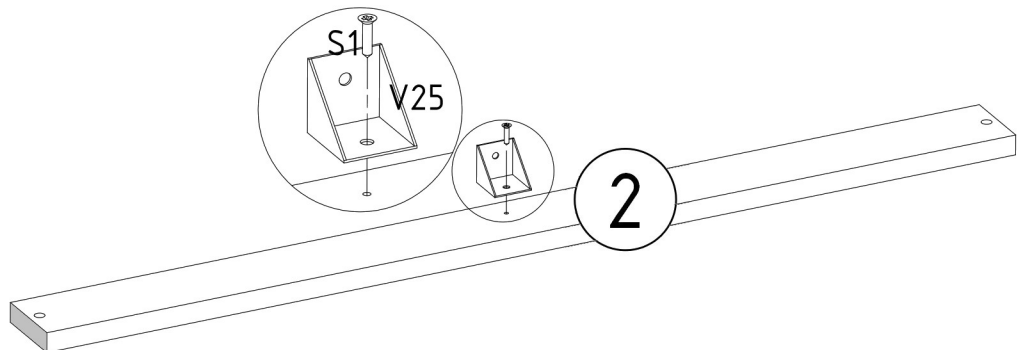
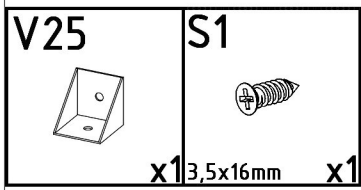
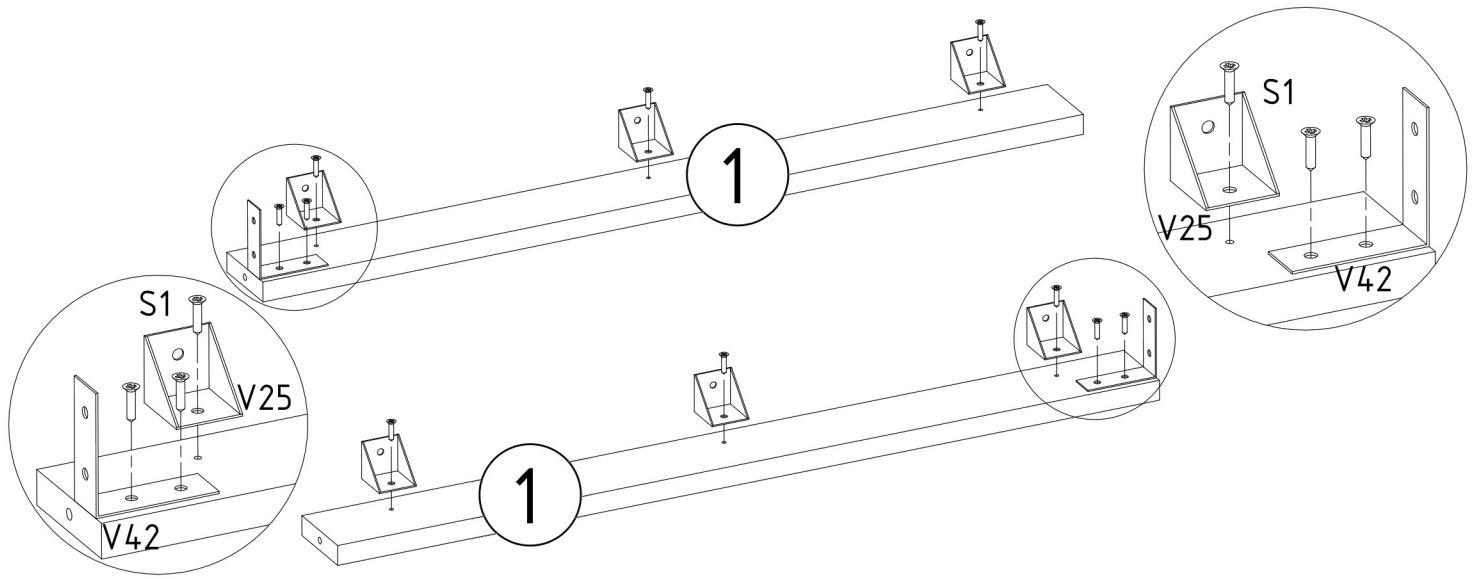
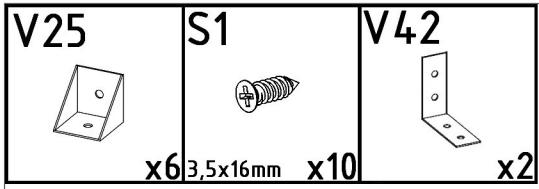
x2

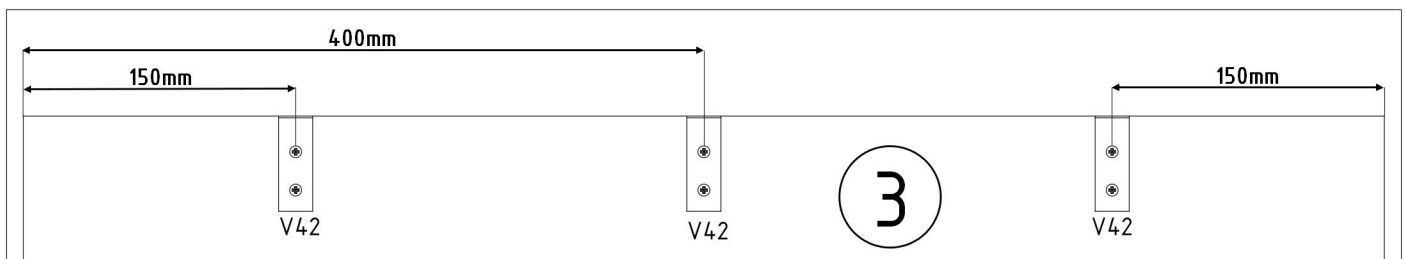
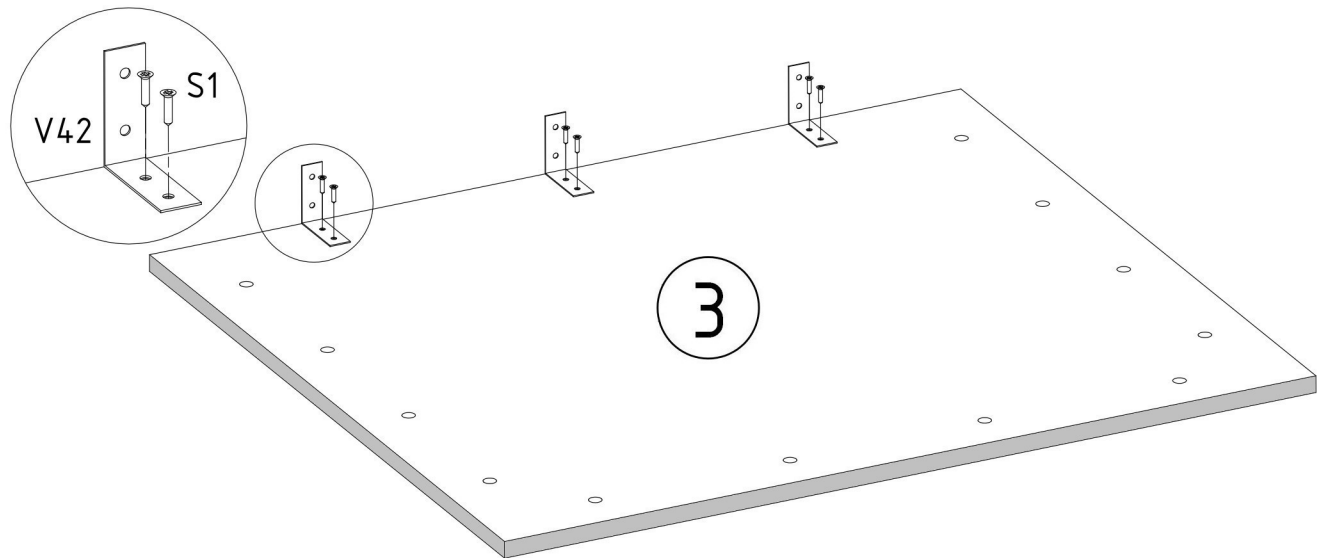
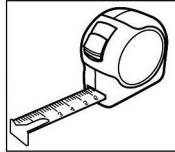
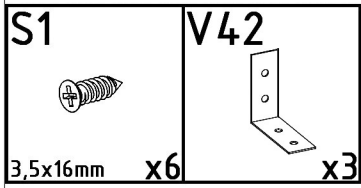
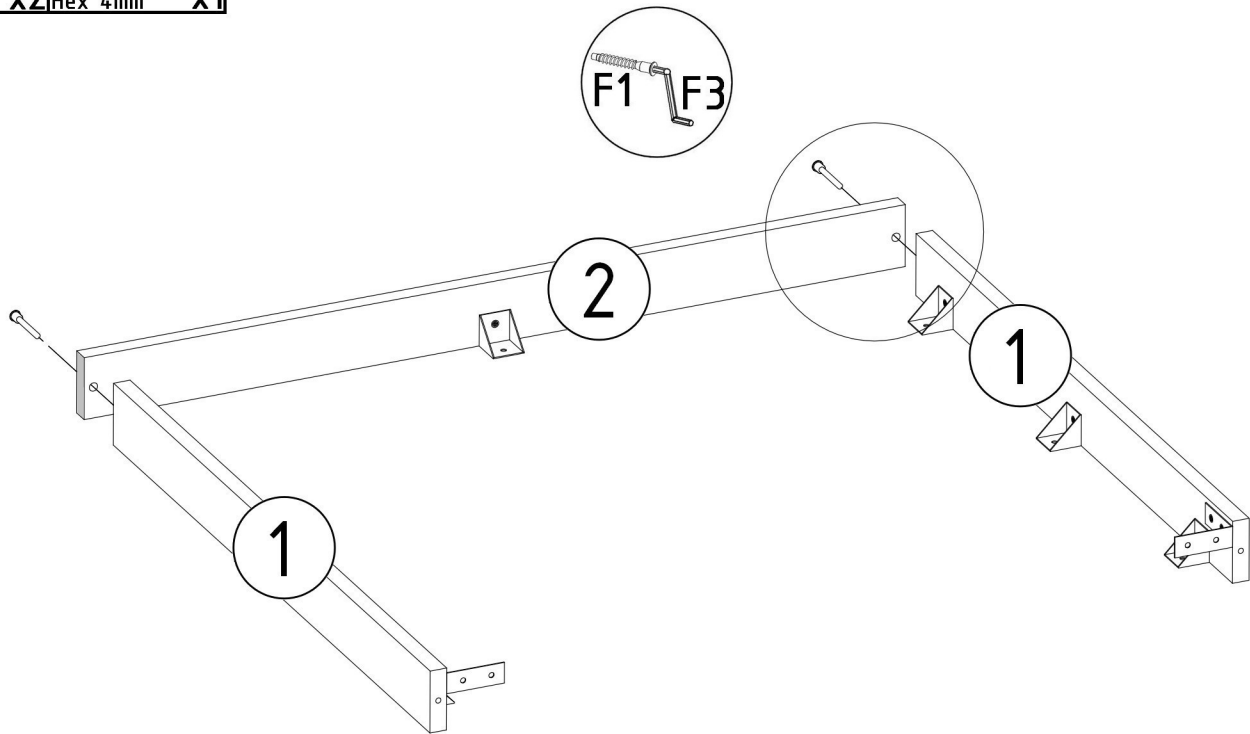
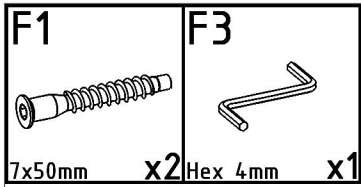







1	x	2
2	x	1
3	x	1





S1

3,5x16mm x7

