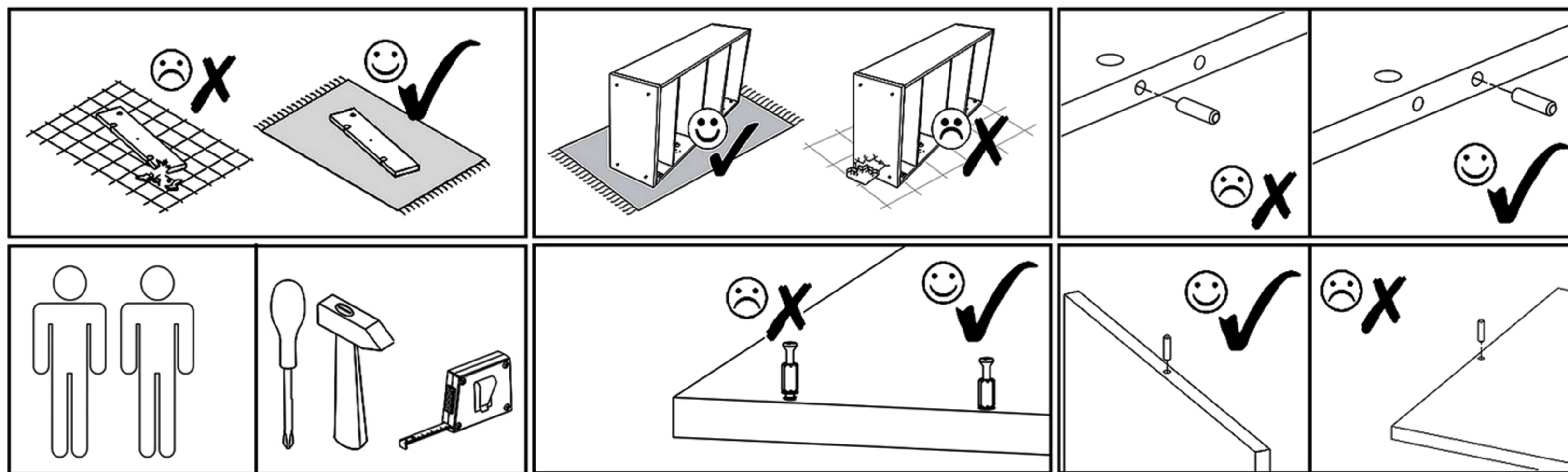
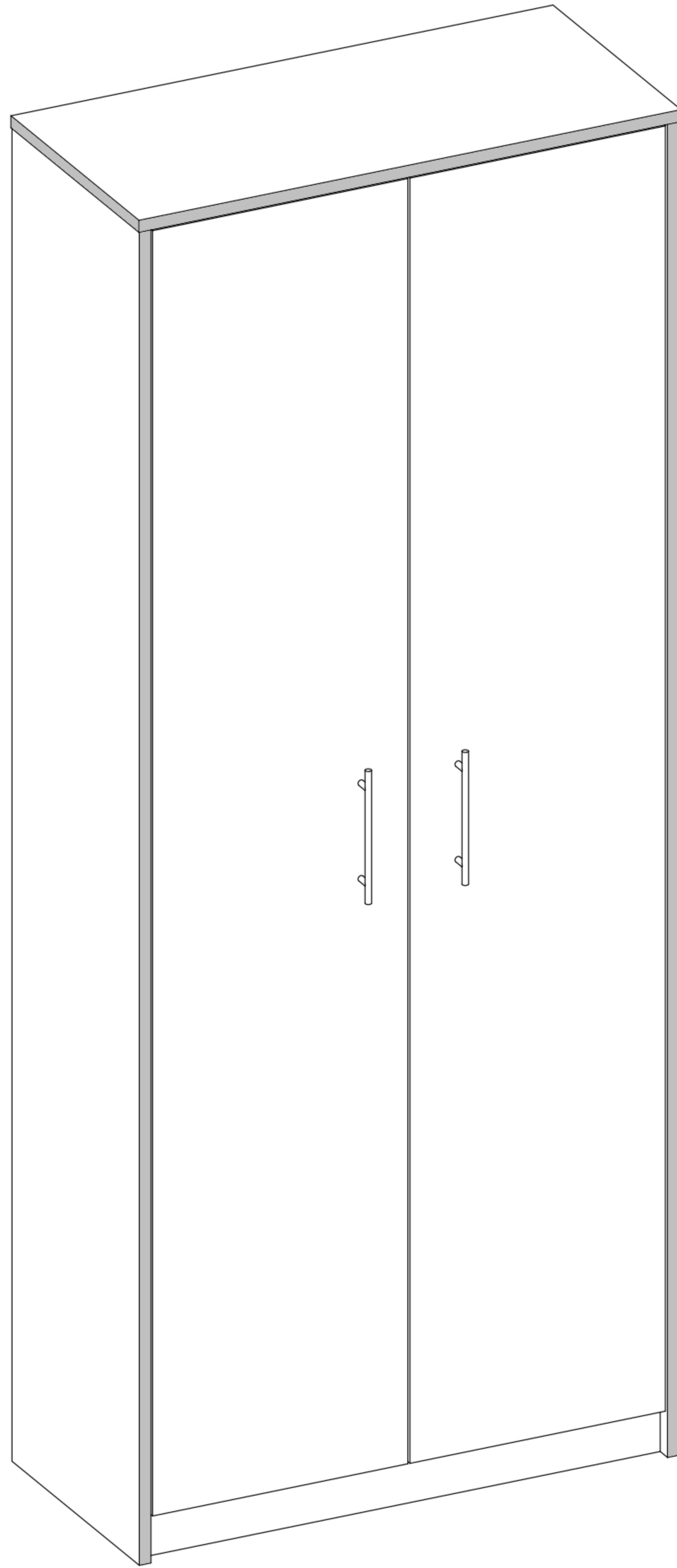
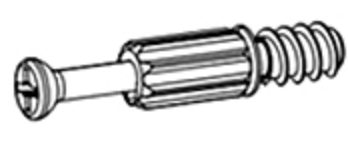
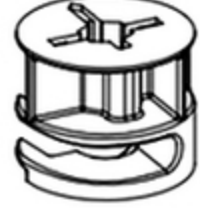
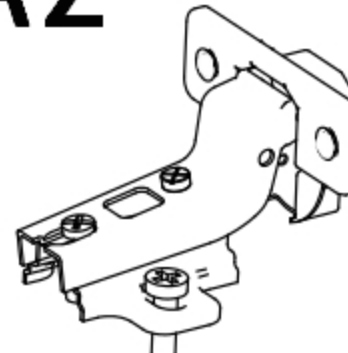

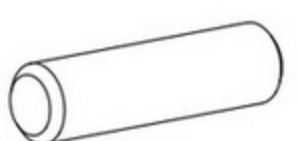

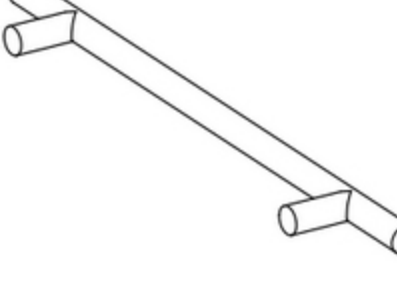

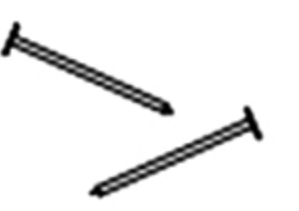
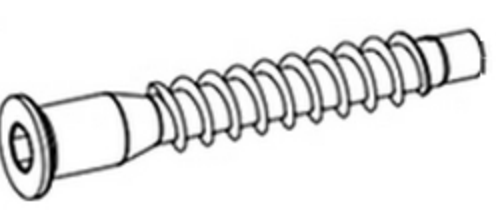
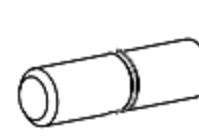
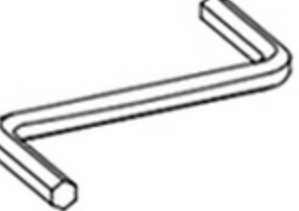
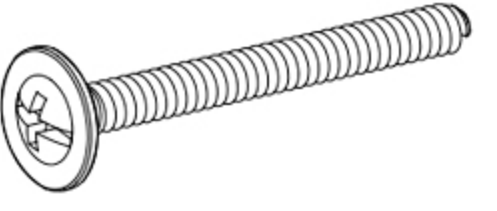


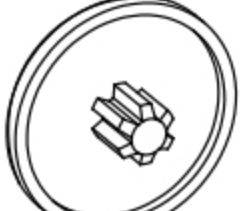

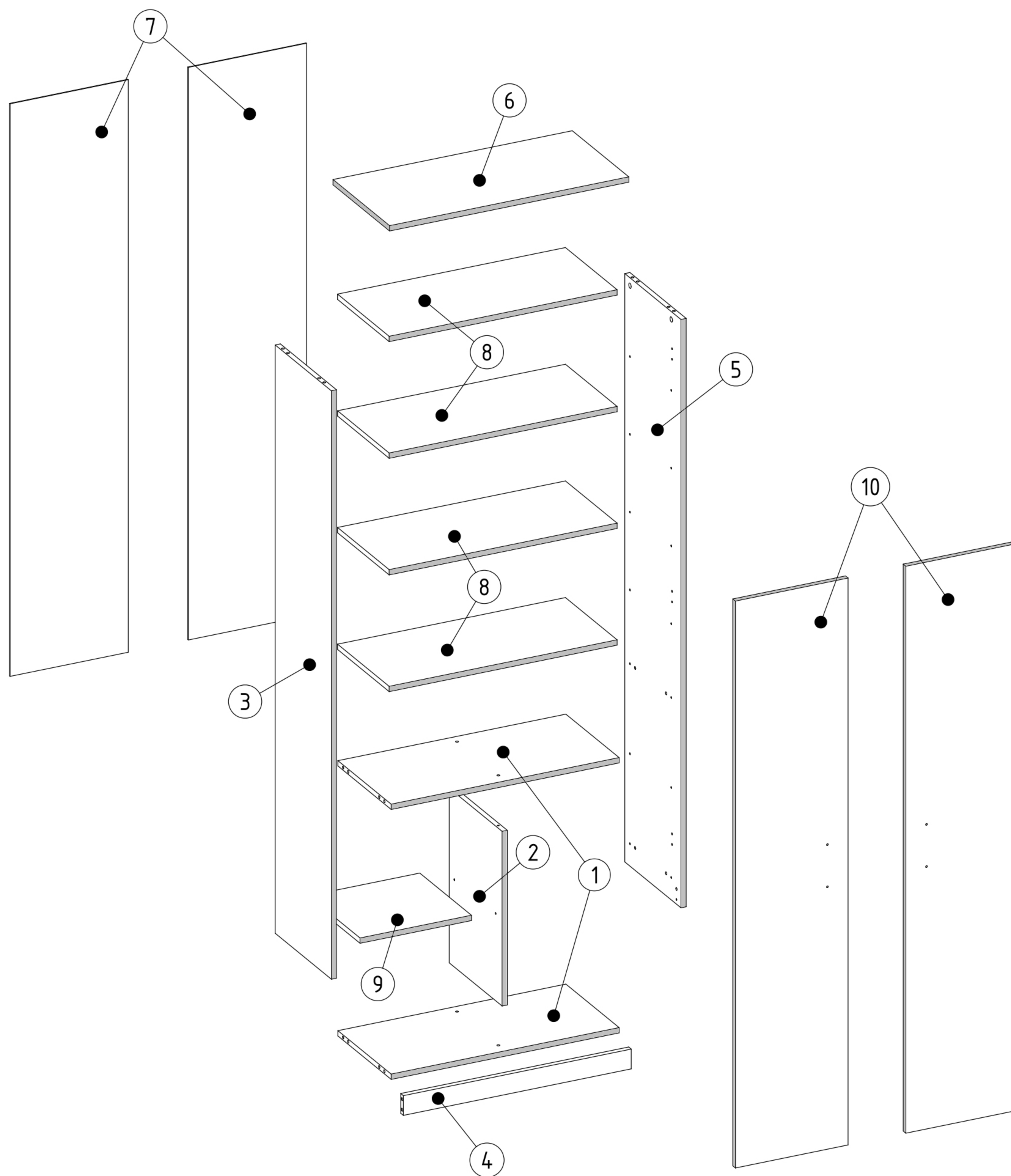


08/06/2022

RZ OLIV 2D





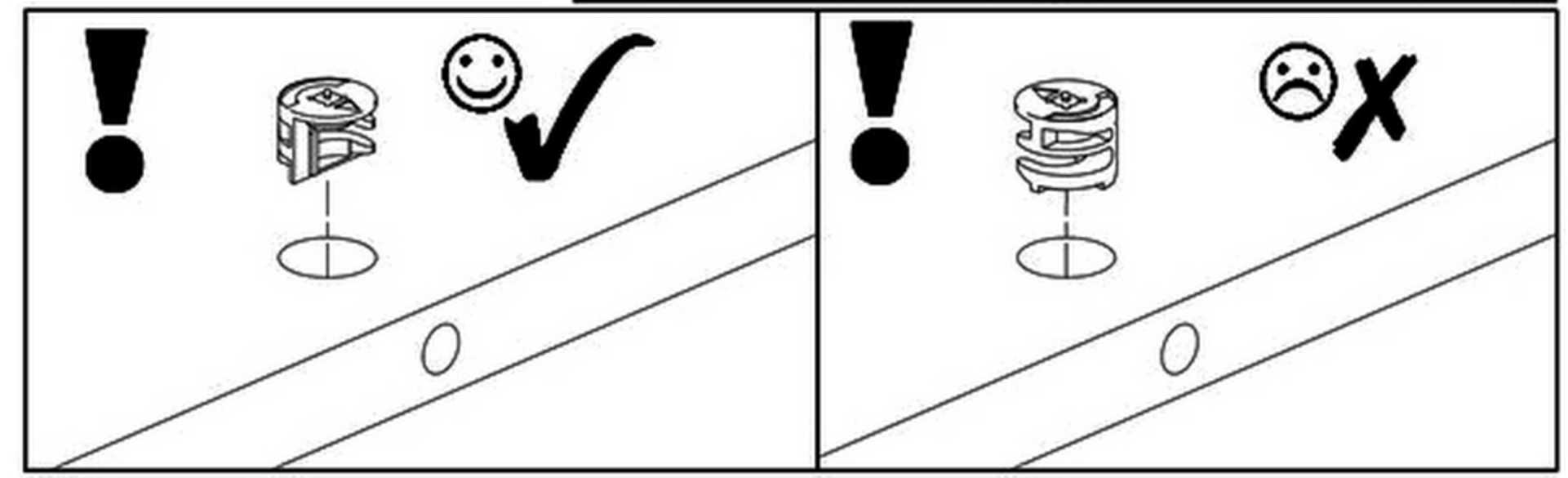
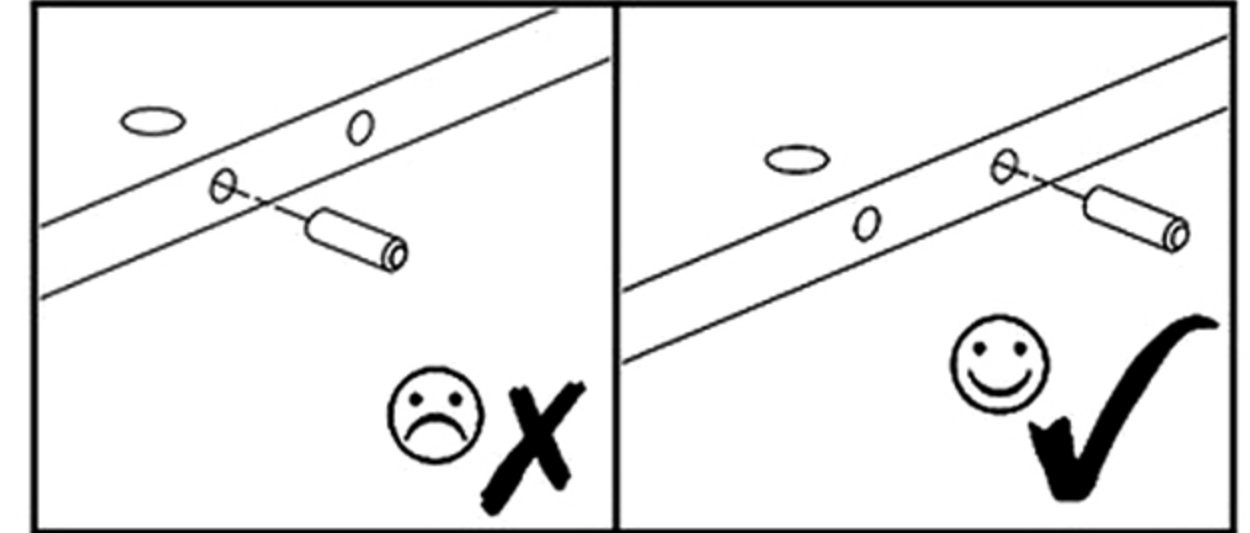
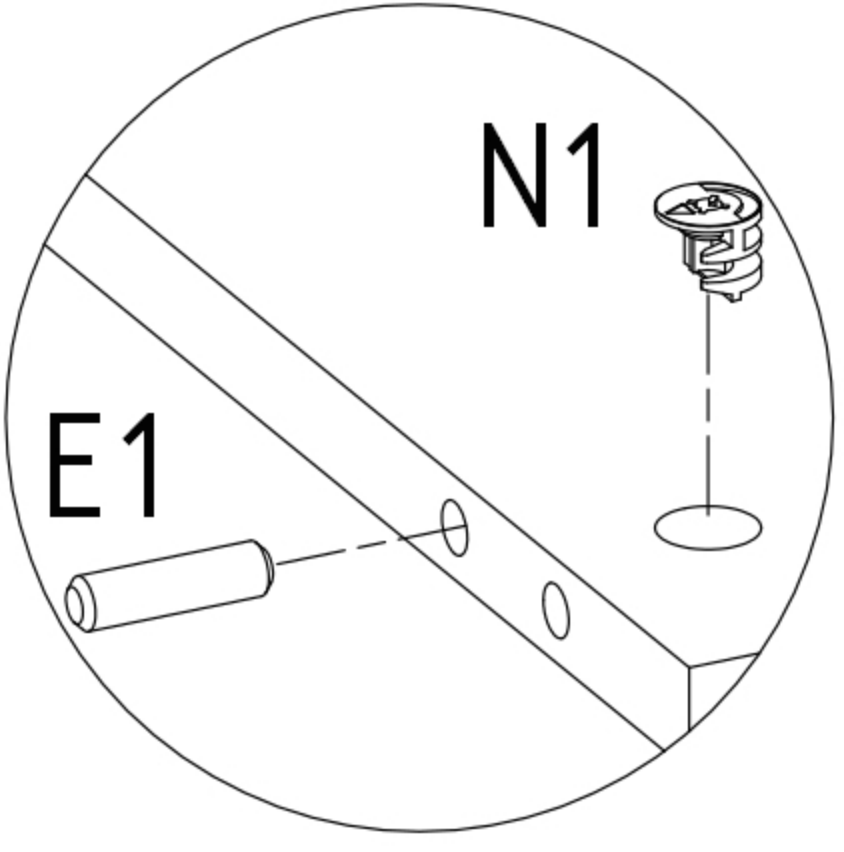
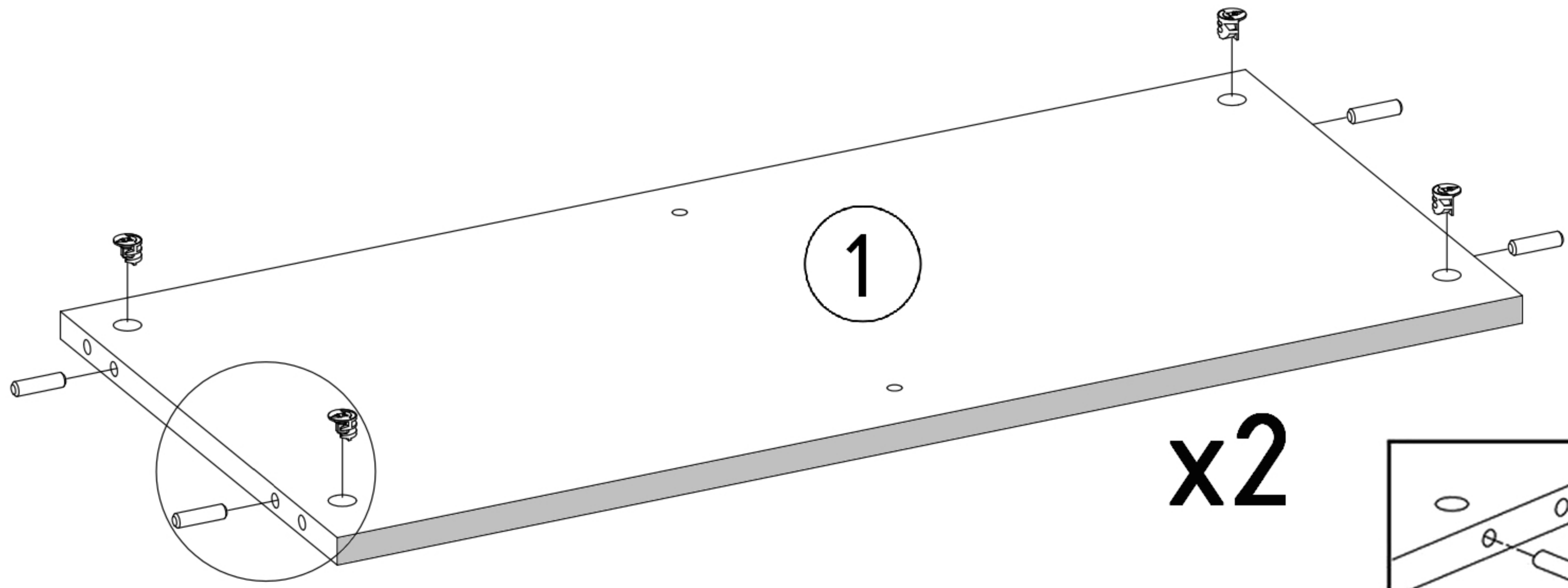
<b>N1</b>  L=35mm <b>x14</b>	<b>M1</b>  12x15mm <b>x14</b>	<b>A2</b>  ZW <b>x6</b>	<b>S1</b>  3,5x16mm <b>x12</b>	<b>E1</b>  8x30mm <b>x14</b>	<b>K4</b>  <b>x4</b>	<b>U8</b>  L=200mm <b>x2</b>	<b>L1</b>  L=1160mm <b>x1</b>	
<b>Z1</b>  <b>x90</b>	<b>F1</b>  7x50mm <b>x4</b>	<b>K7</b>  5x16mm <b>x20</b>	<b>F3</b>  <b>x1</b>	<b>S5</b>  4x27 mm <b>x4</b>	<b>K2</b>  <b>x1</b>	<b>T1</b>  <b>x5</b>	<b>M2</b> <sup>8</sup>  <b>x4</b>	<b>F2</b> <sup>4</sup>  <b>x2</b>

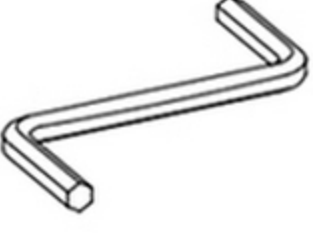
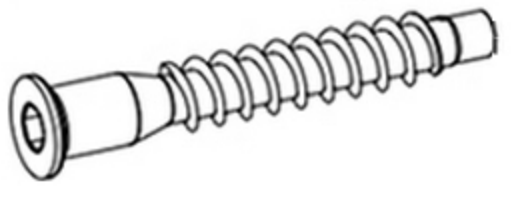


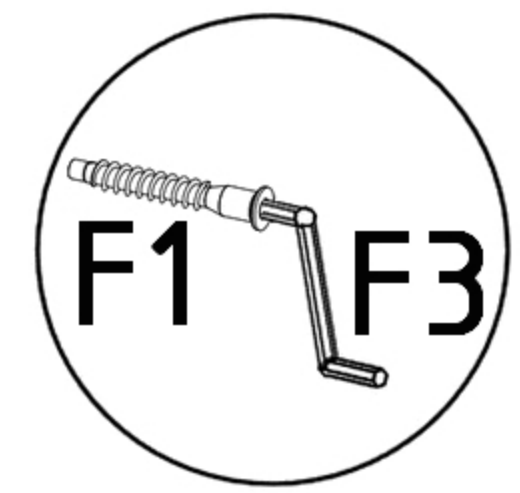
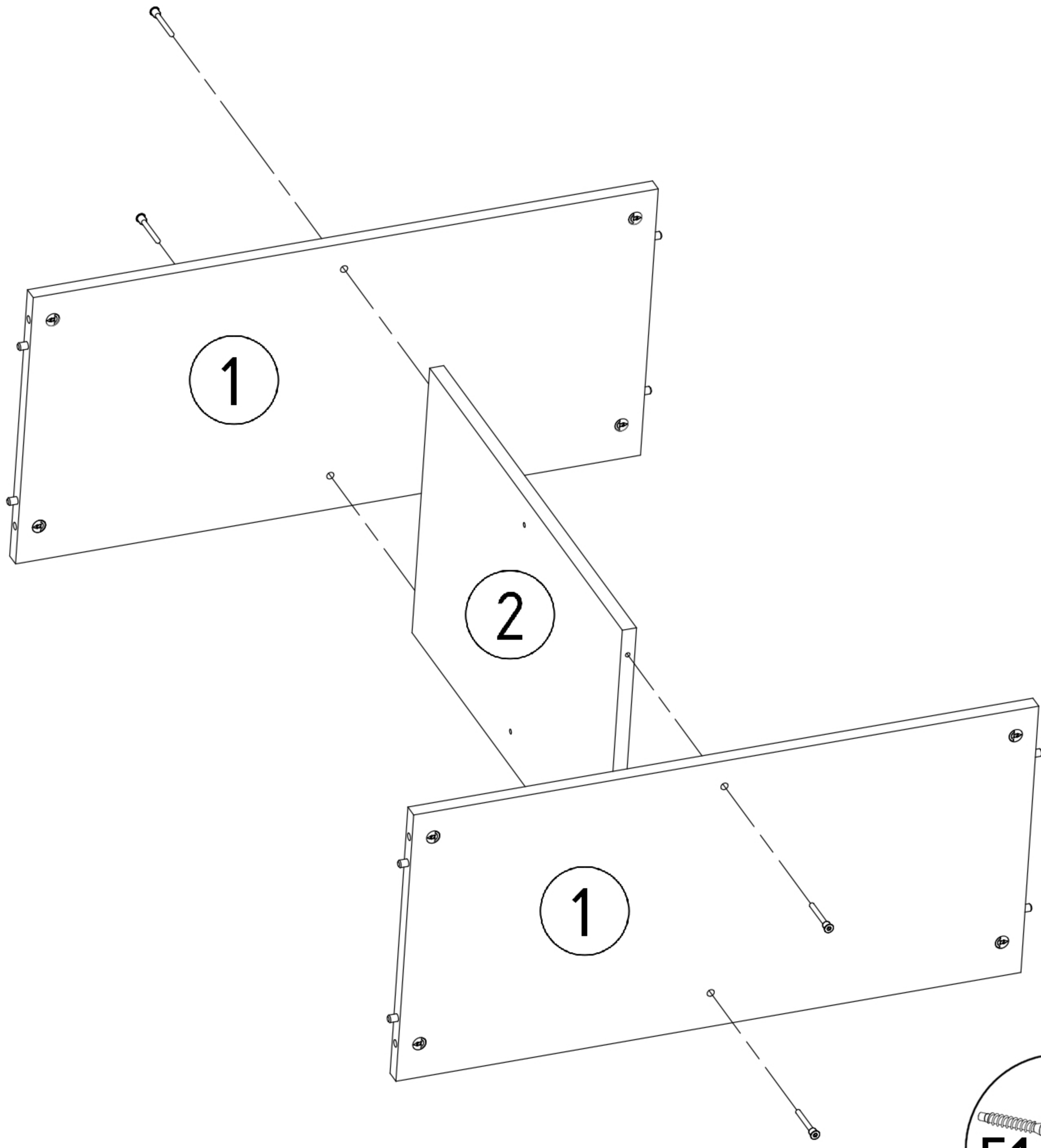
<b>1</b>	x	2
<b>2</b>	x	1
<b>3</b>	x	1
<b>4</b>	x	1
<b>5</b>	x	1

<b>6</b>	x	1
<b>7</b>	x	2
<b>8</b>	x	4
<b>9</b>	x	1
<b>10</b>	x	2

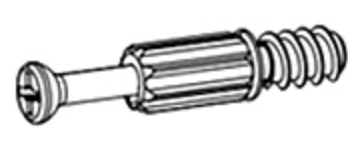
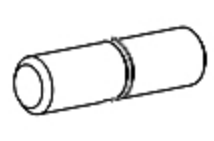


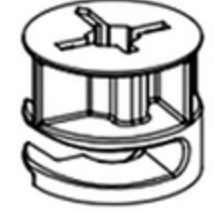
<b>M1</b>  12x15mm <b>X4</b>	<b>E1</b>  8x30mm <b>X4</b>
---	--

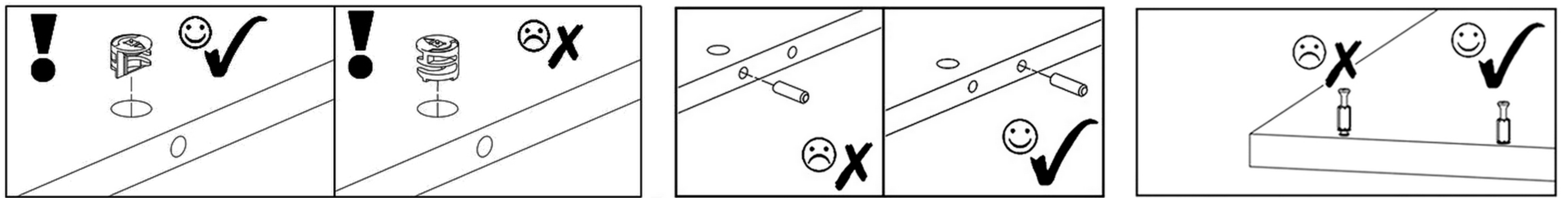
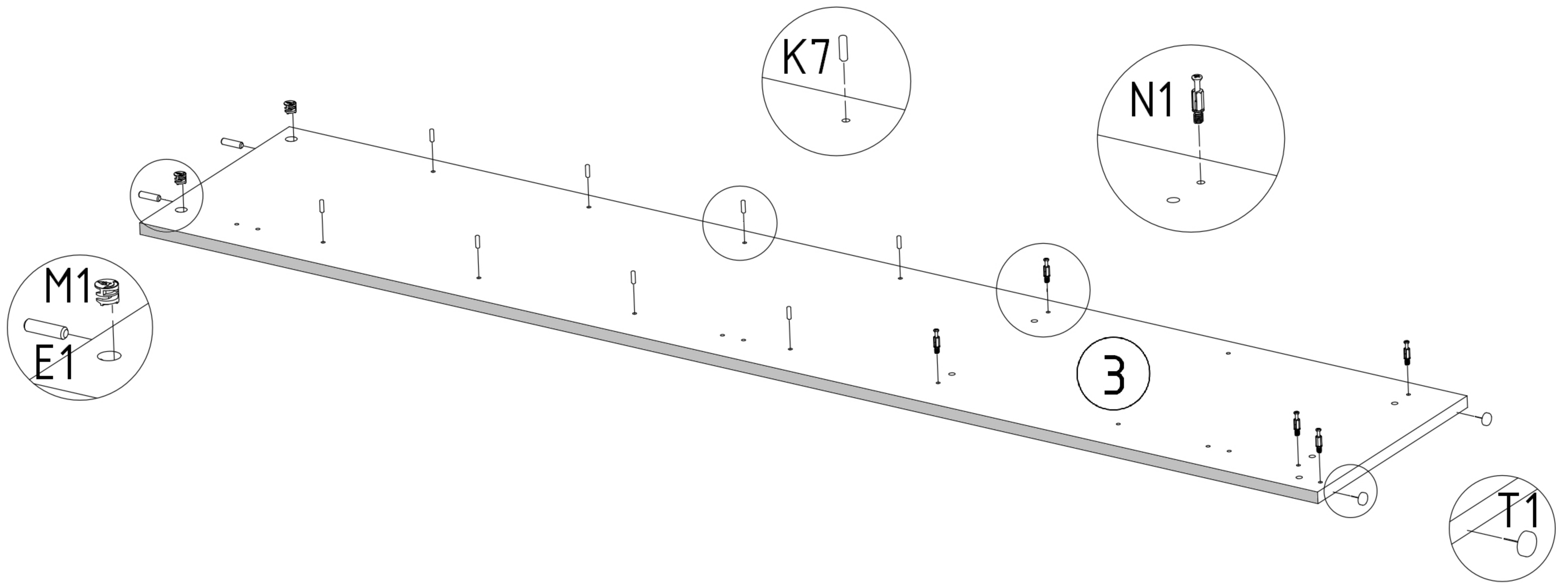


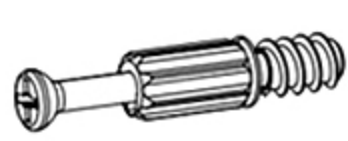
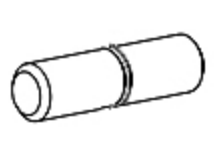


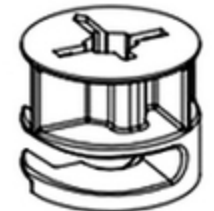
<b>F3</b>  <b>X1</b>	<b>F1</b>  7x50mm <b>X4</b>
--	--

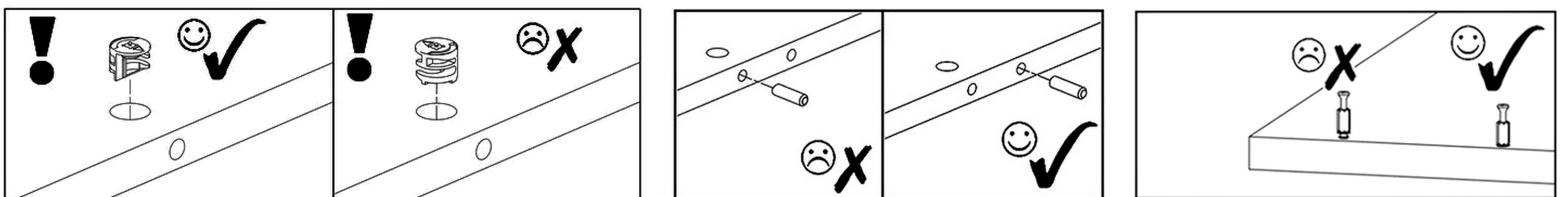
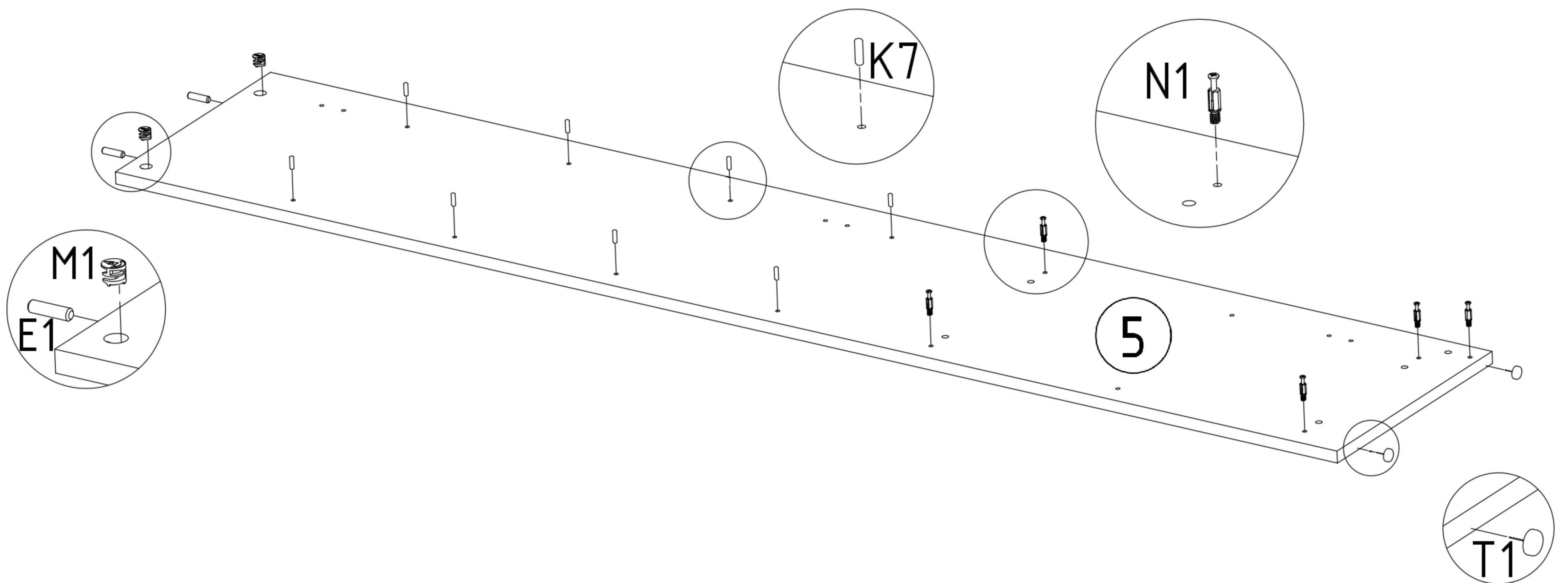







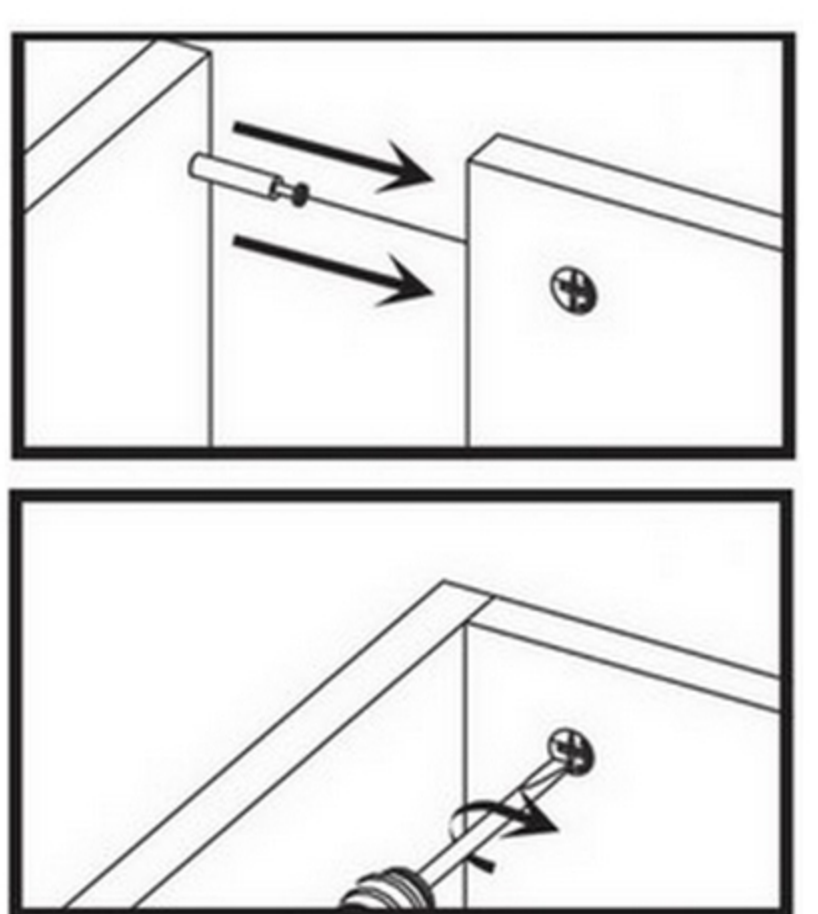
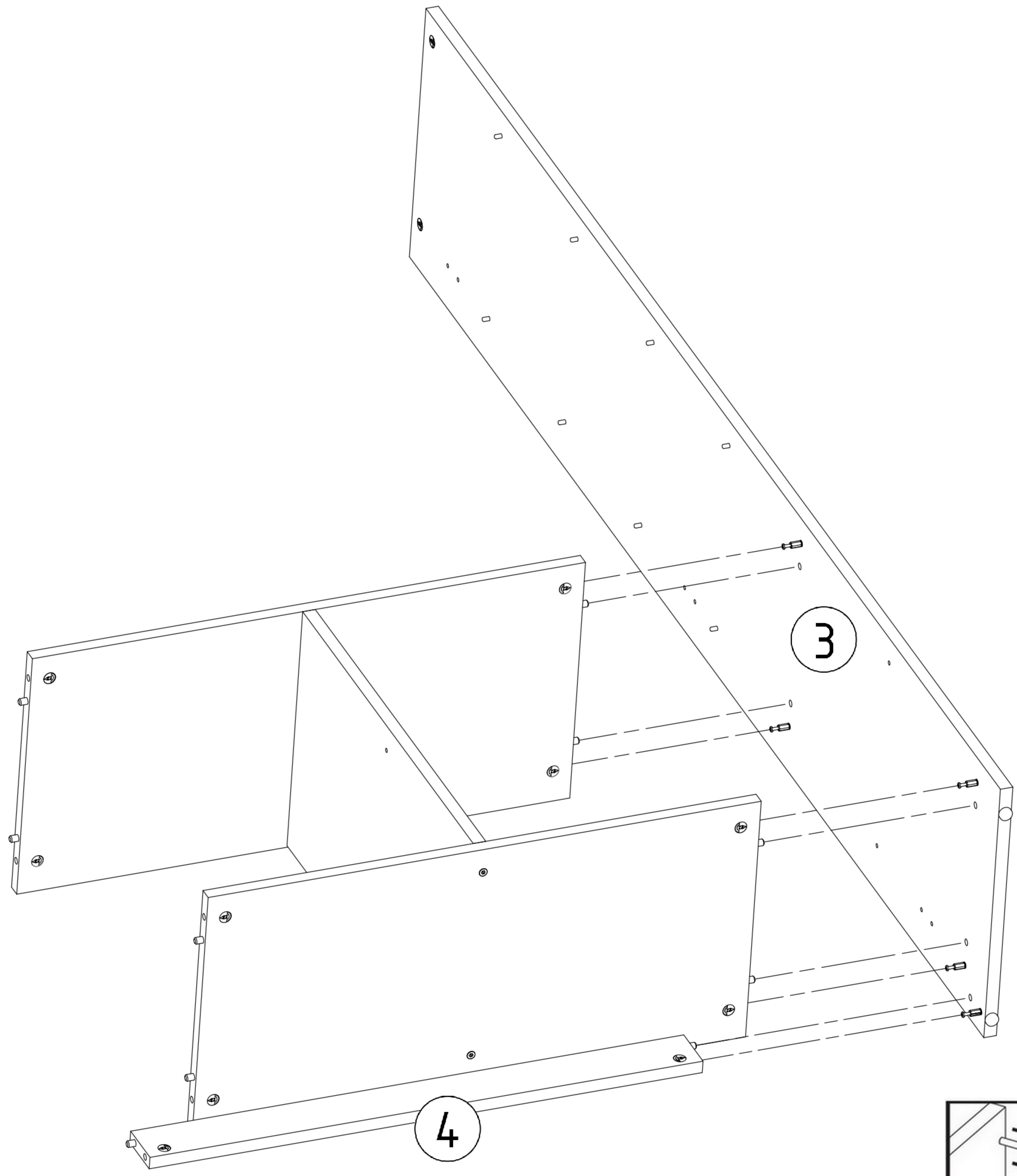
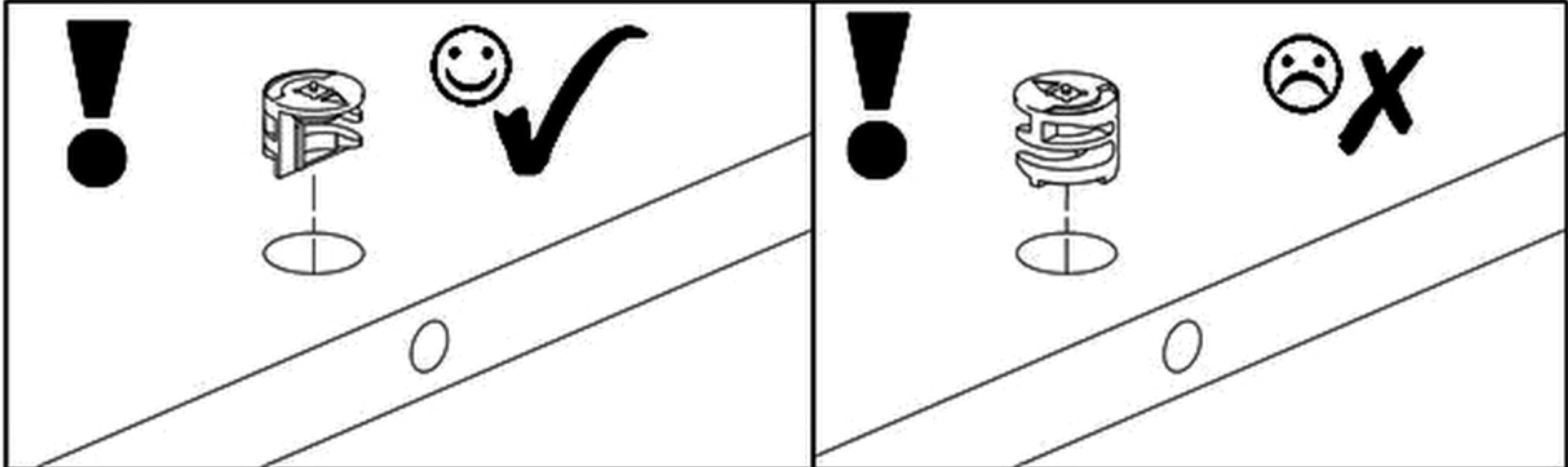
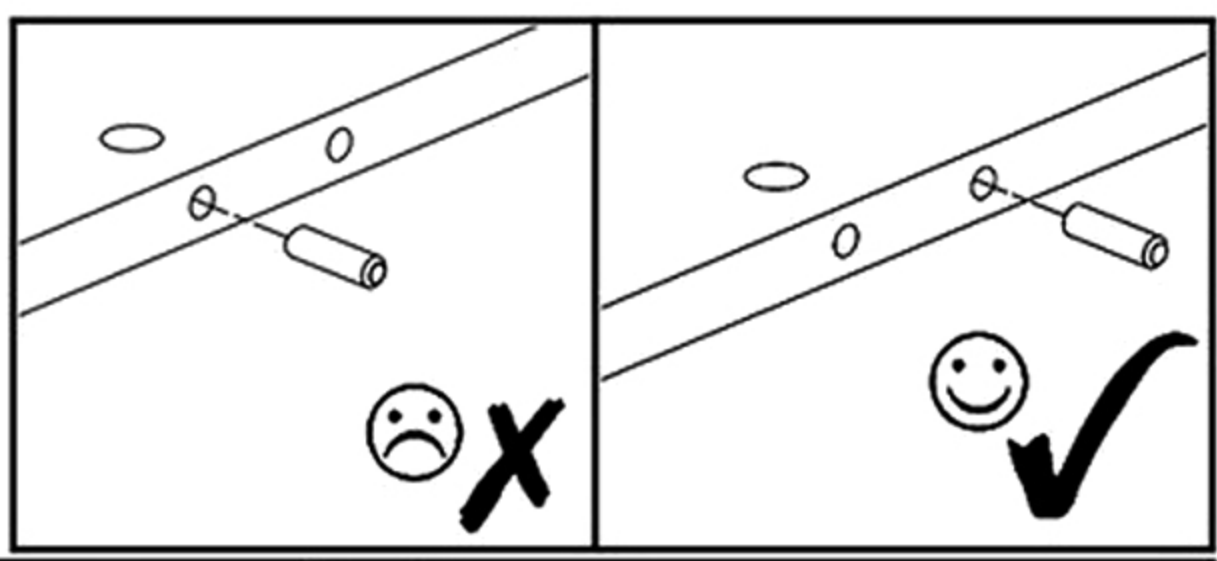
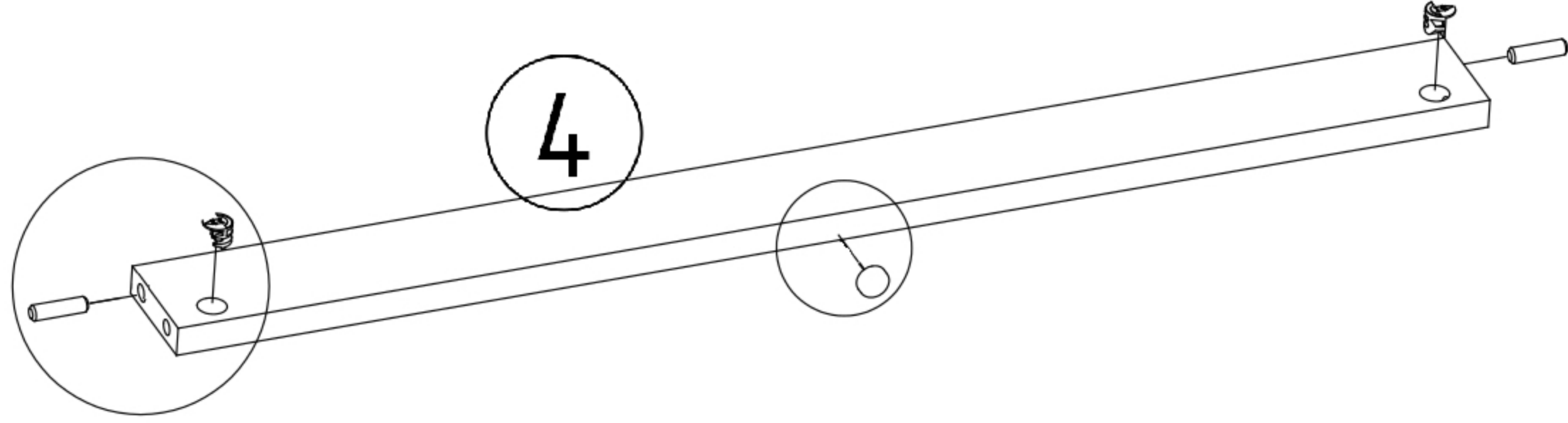
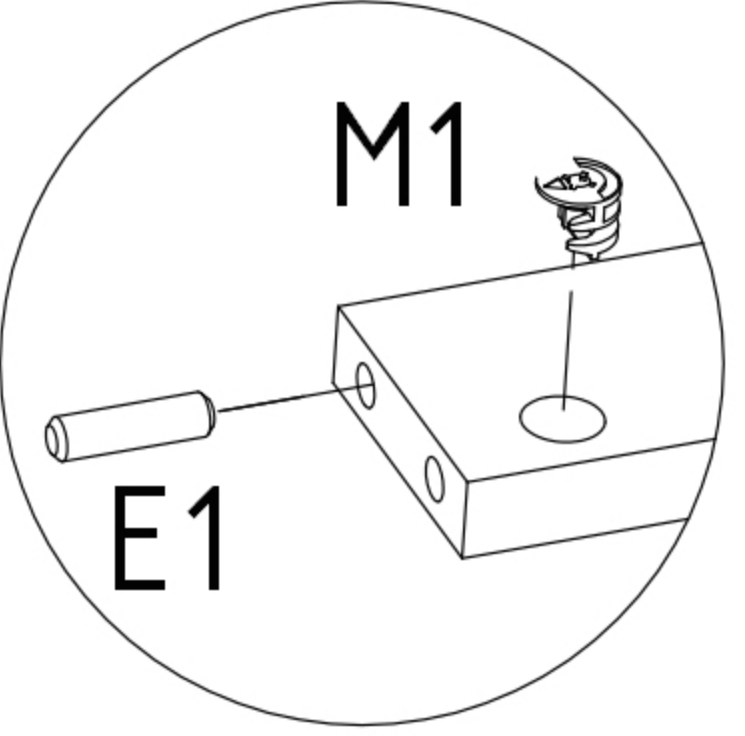
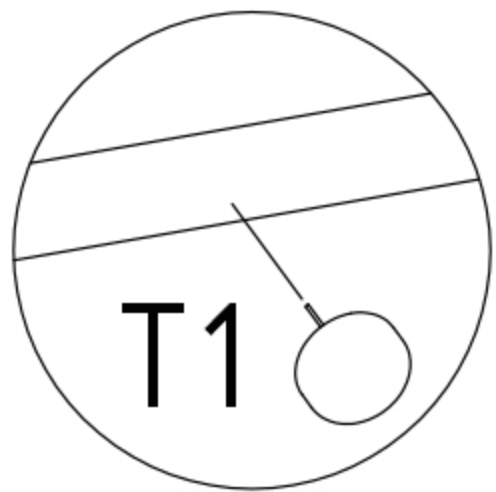
<b>N1</b>  L=35mm x5	<b>K7</b>  5x16mm x8	<b>T1</b>  x2	<b>E1</b>  8x30mm x2	<b>M1</b>  12x15mm x2
--	---	--	---	--



<b>N1</b>  L=35mm x5	<b>K7</b>  5x16mm x8	<b>T1</b>  x2	<b>E1</b>  8x30mm x2	<b>M1</b>  12x15mm x2
--	---	--	---	--

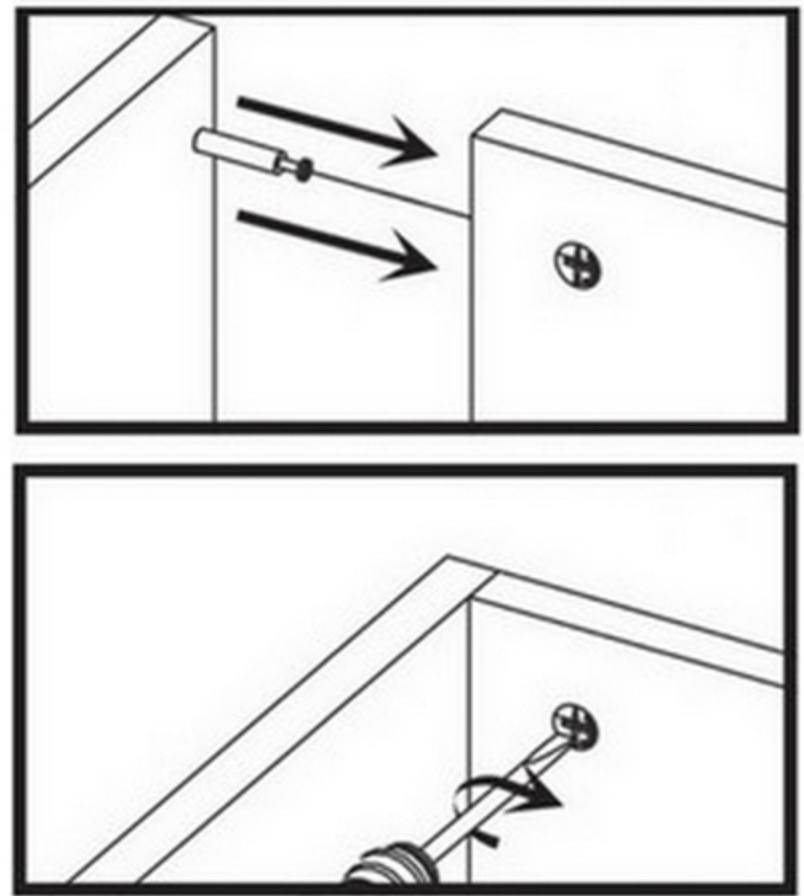


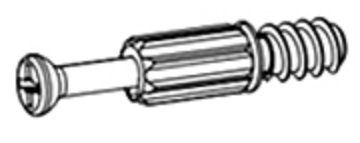
<b>M1</b>  12x15mm <b>x2</b>	<b>E1</b>  8x30mm <b>x2</b>	<b>T1</b>  <b>x1</b>
---	--	---

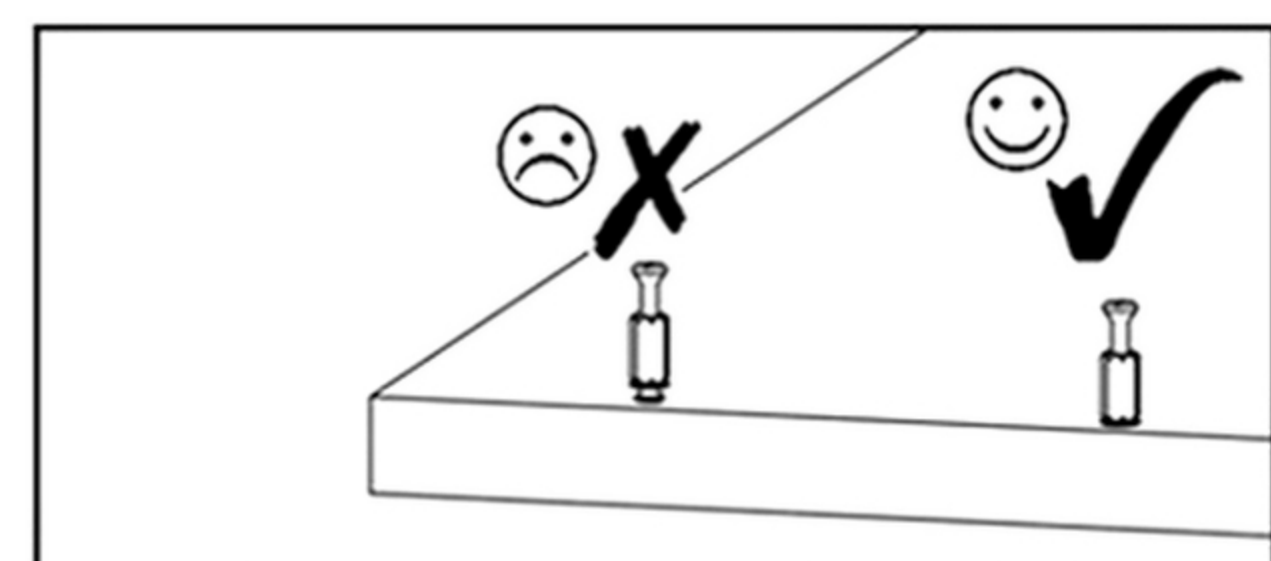
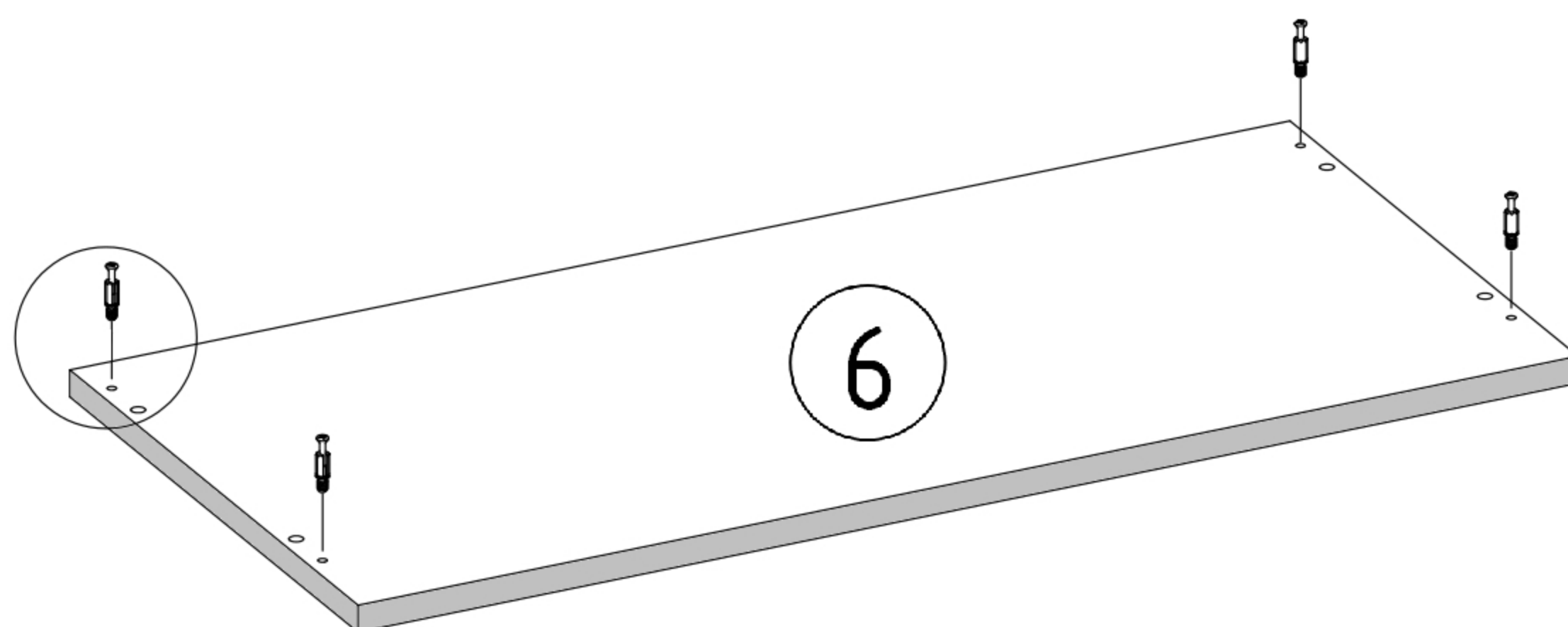
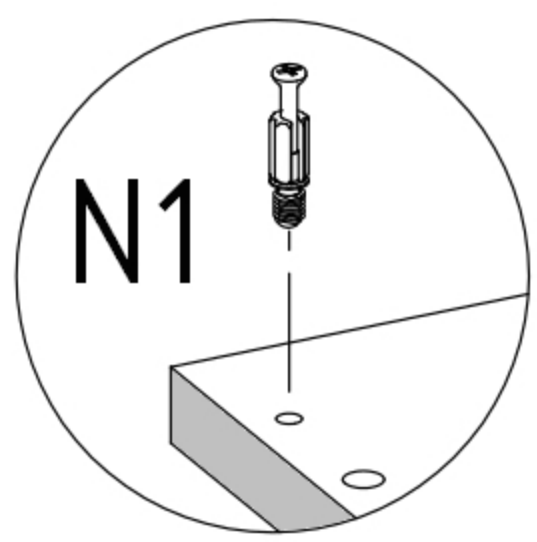


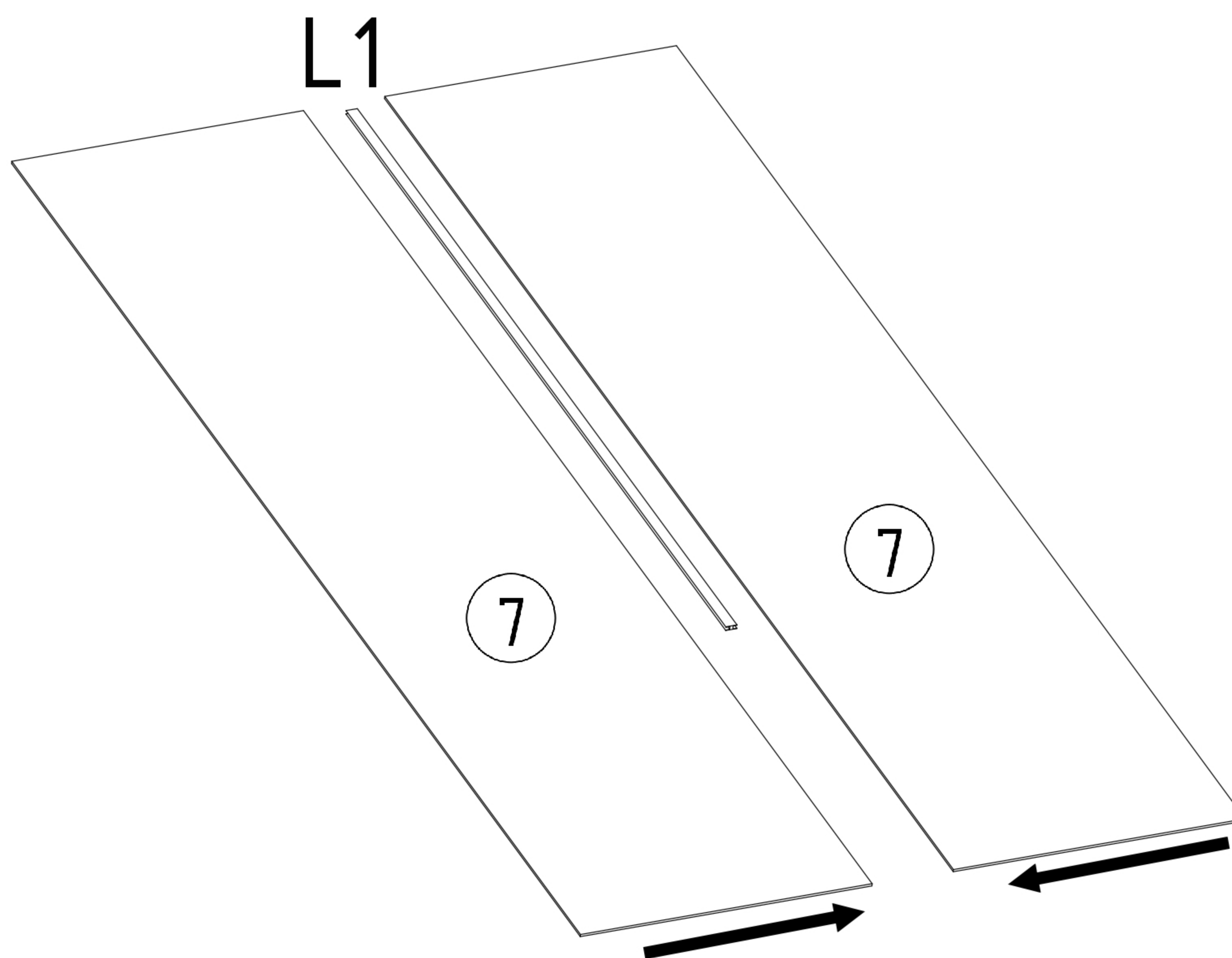
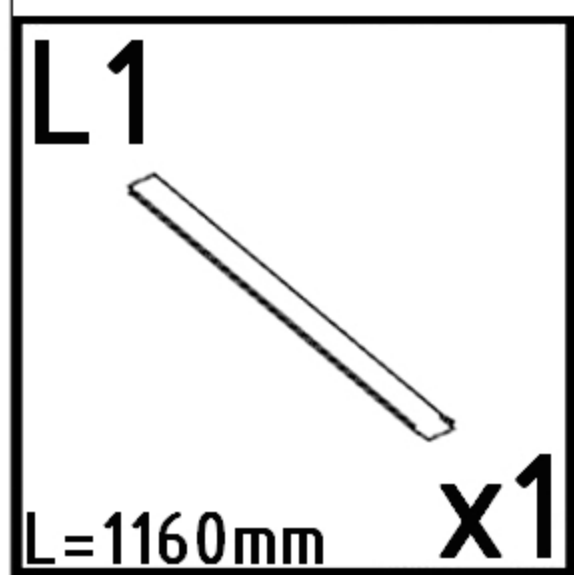
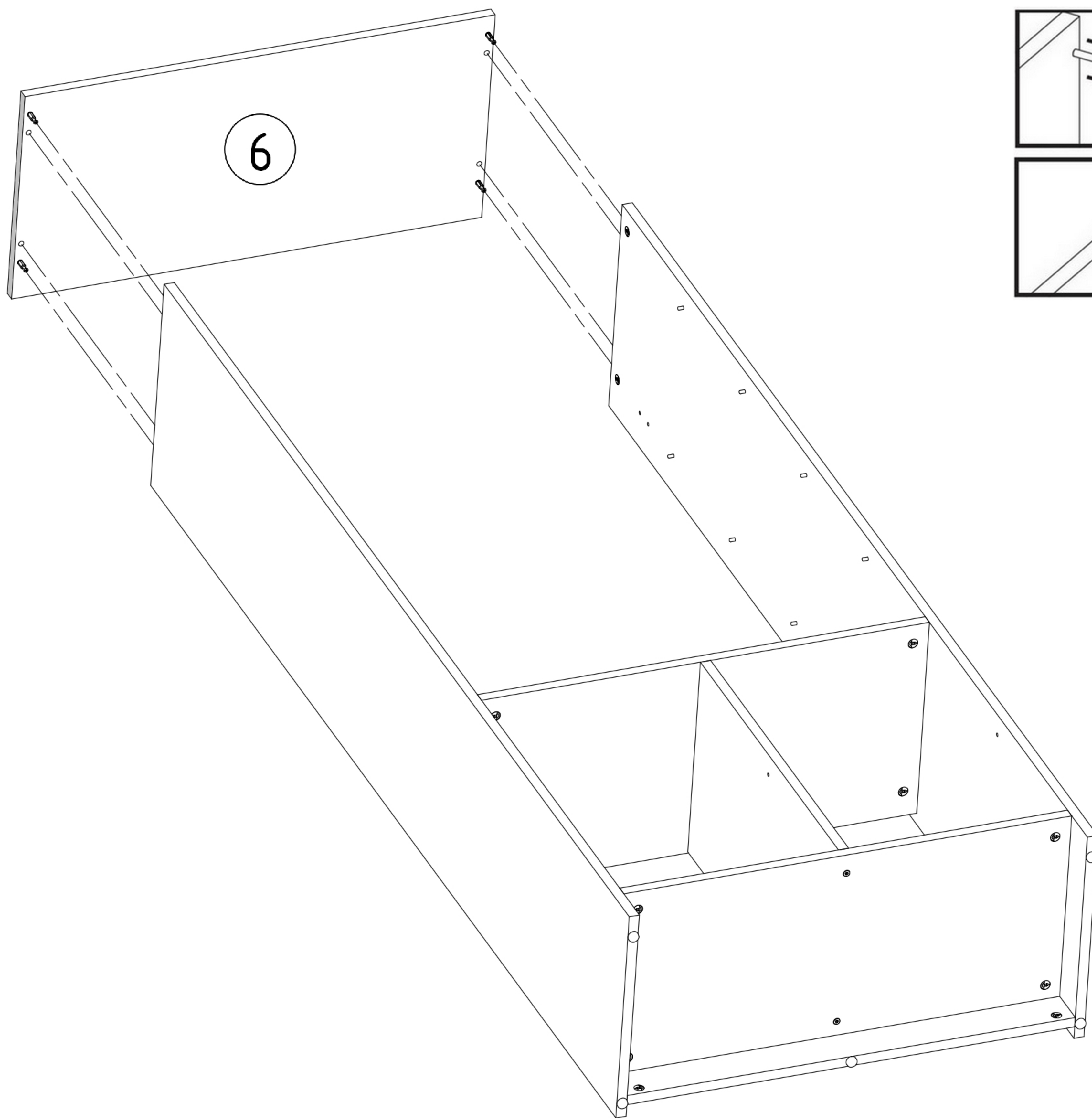


5





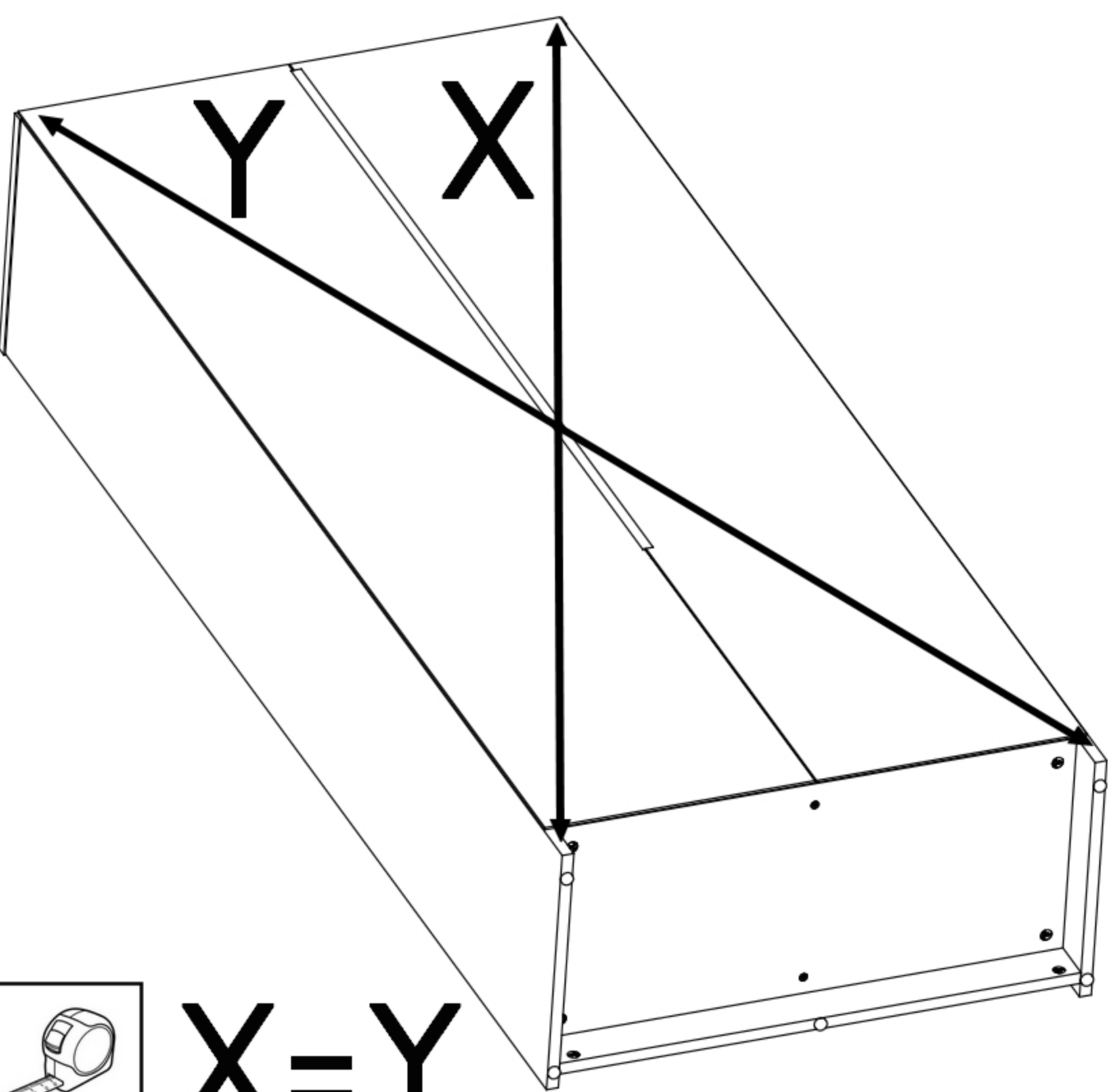
**N1**  
  
**L=35mm X4**



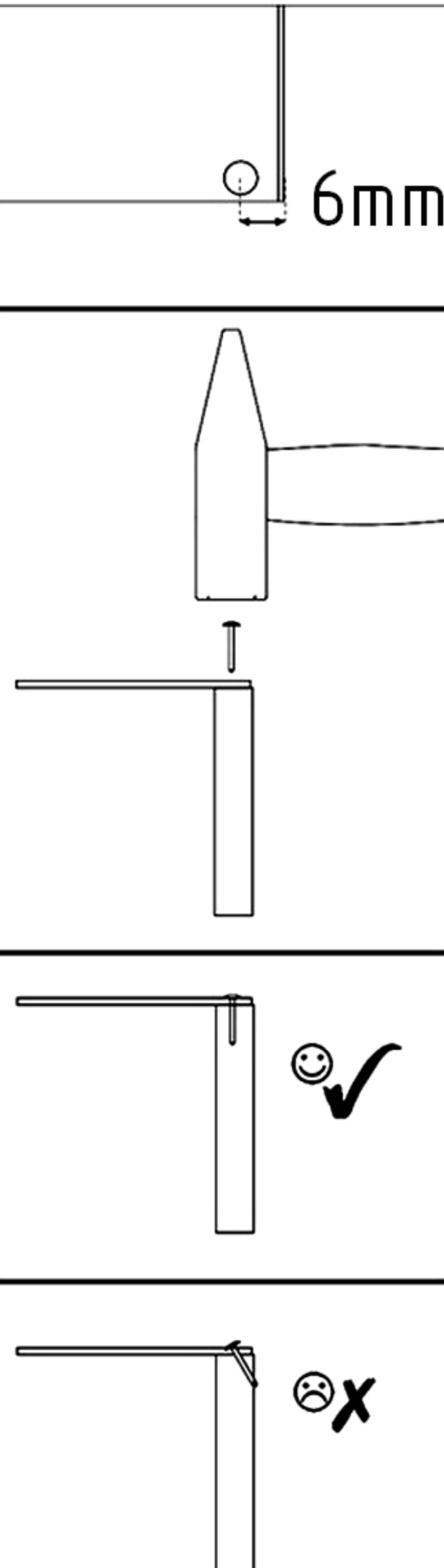
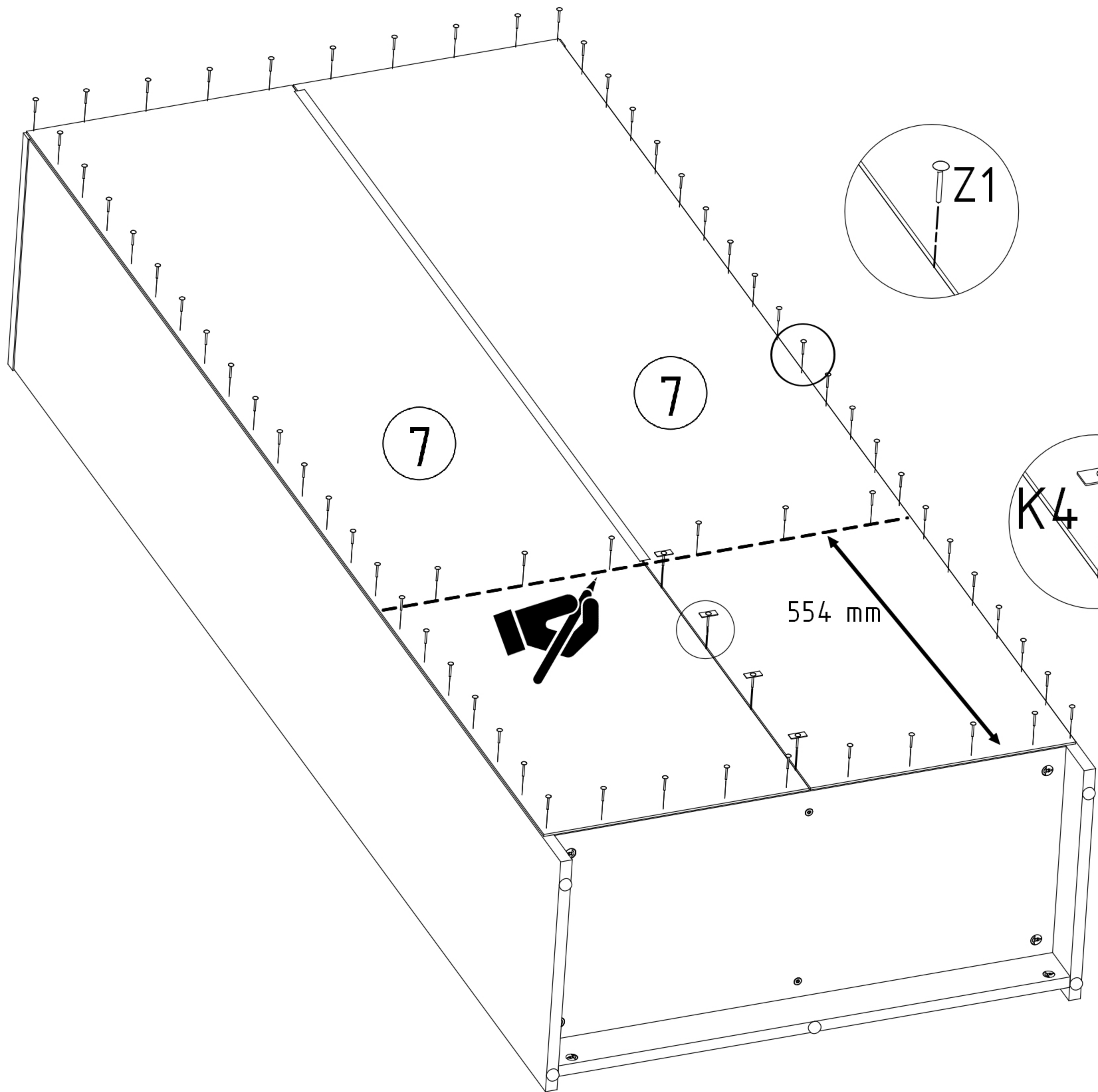
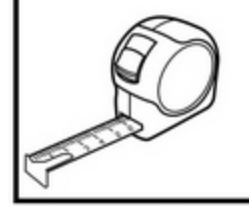




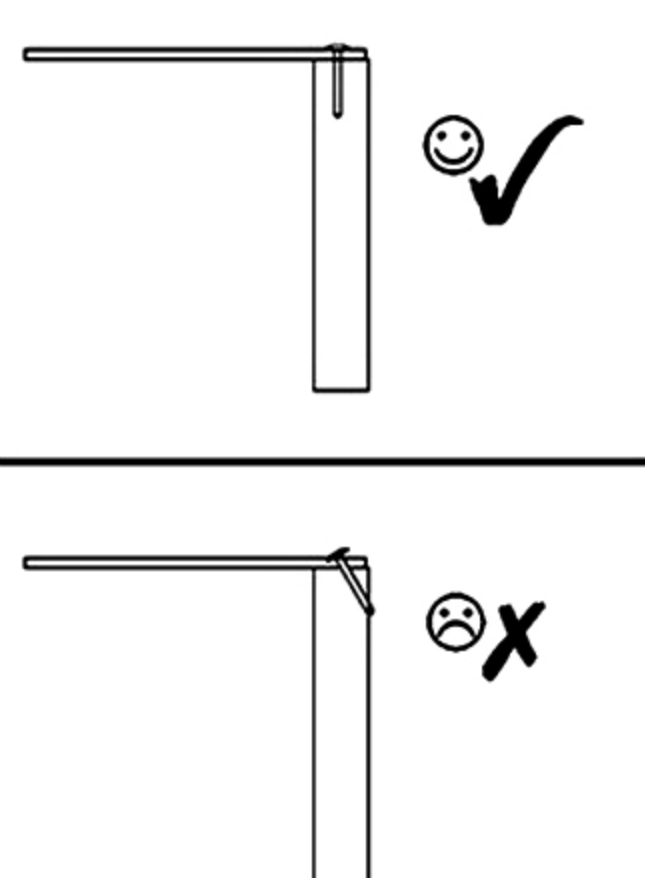
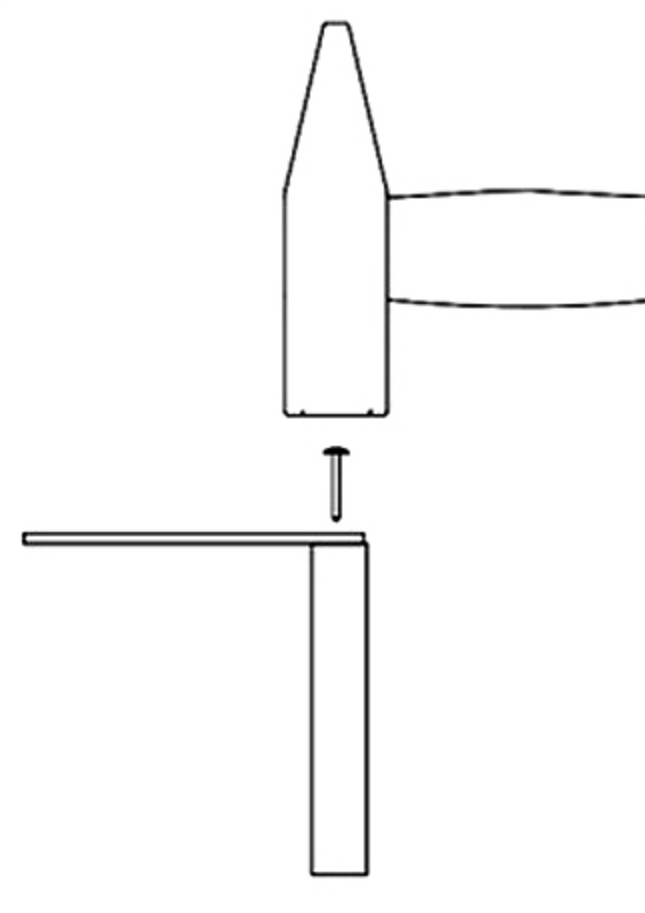
<b>K4</b>  x4	<b>Z1</b>  x90
---	---



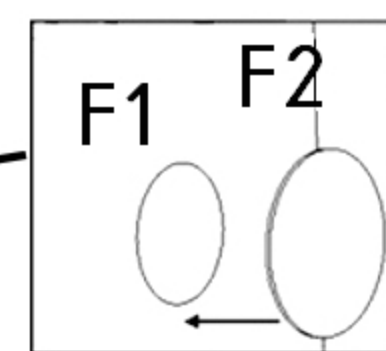
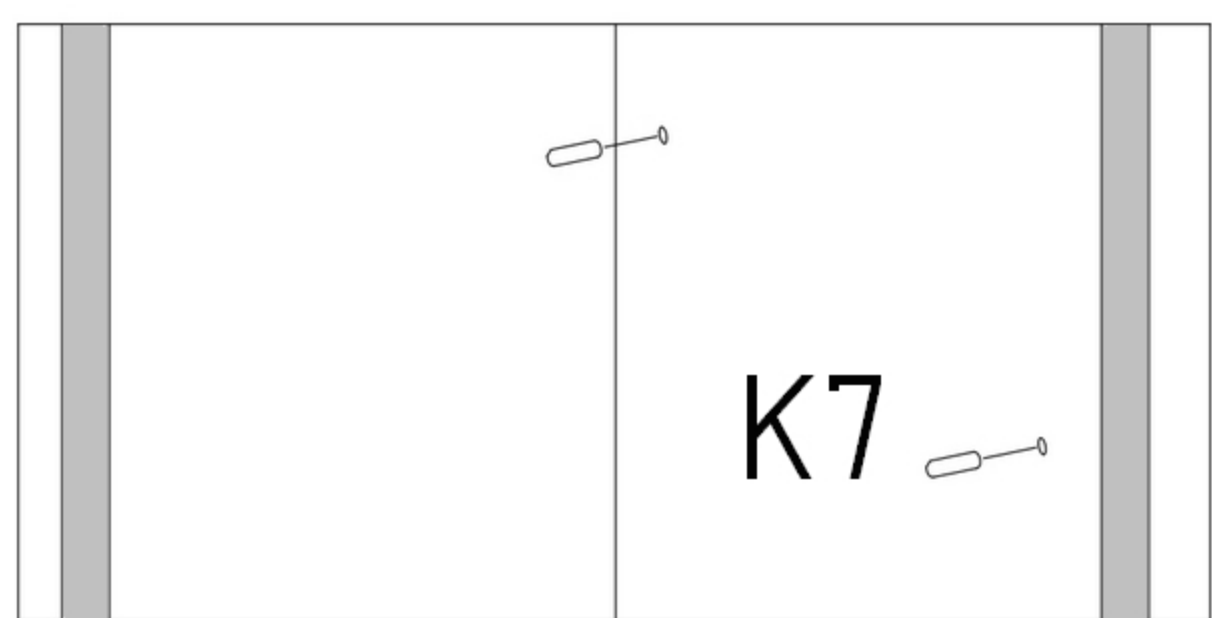
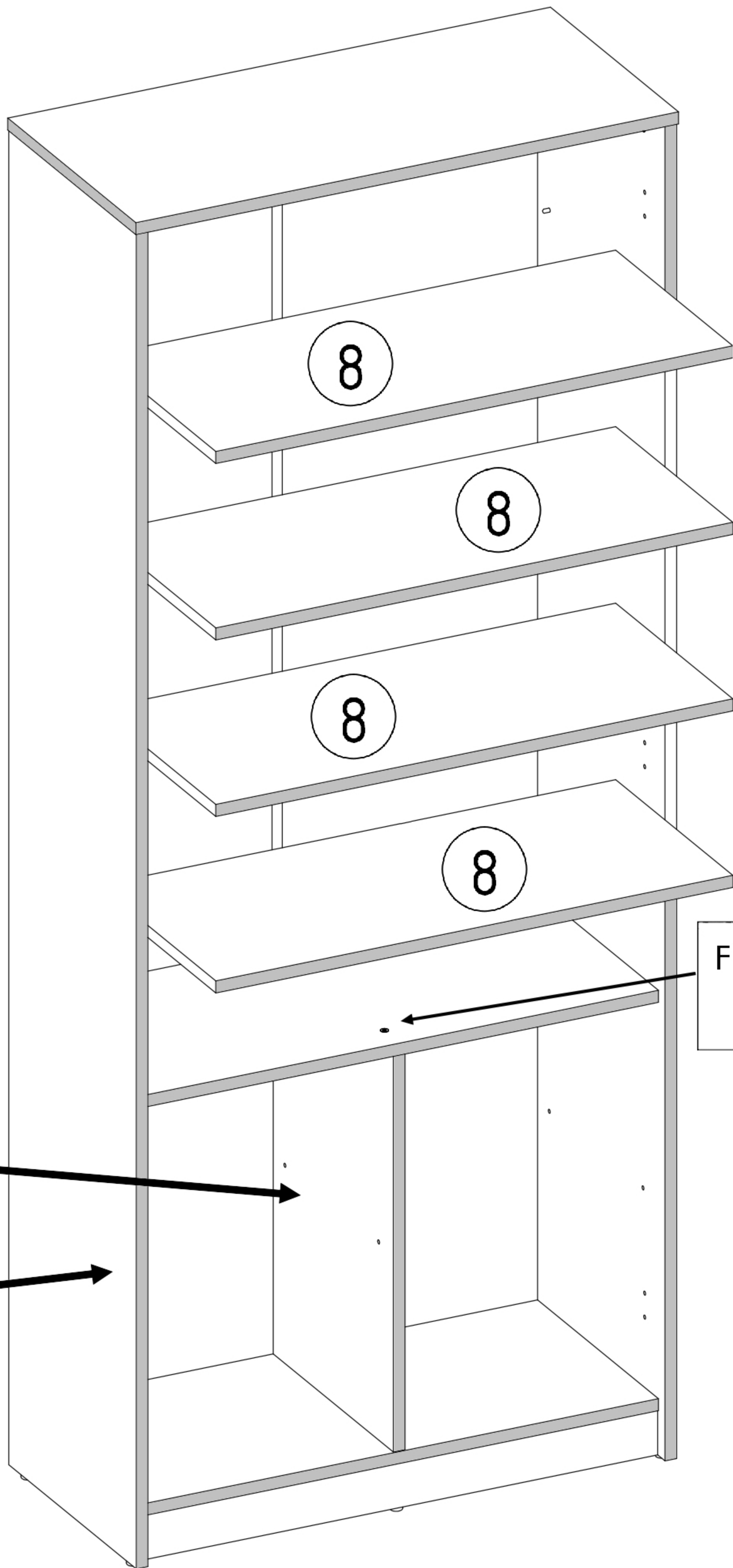
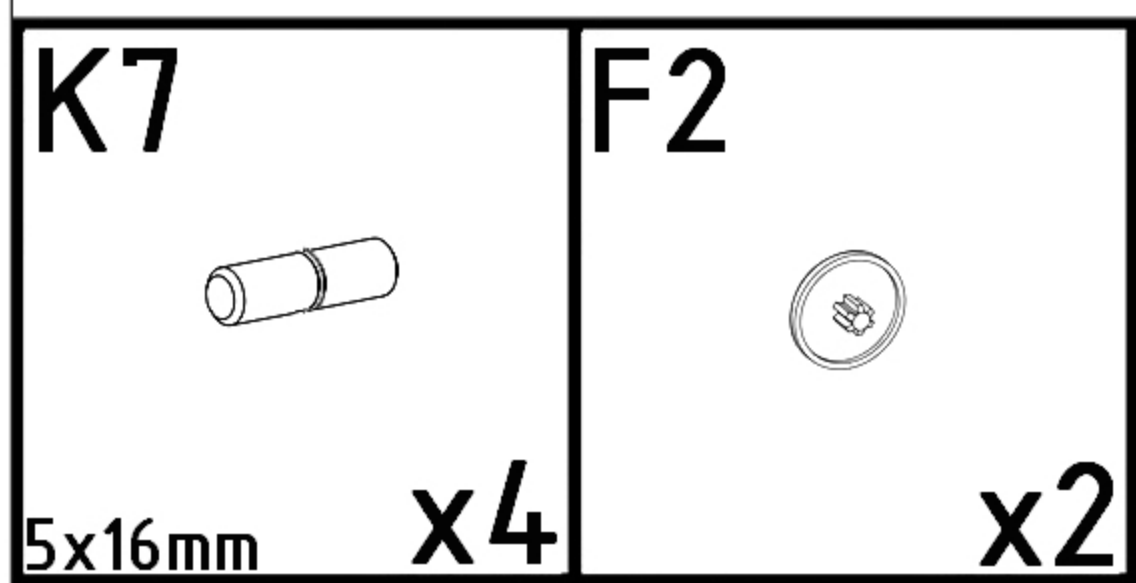
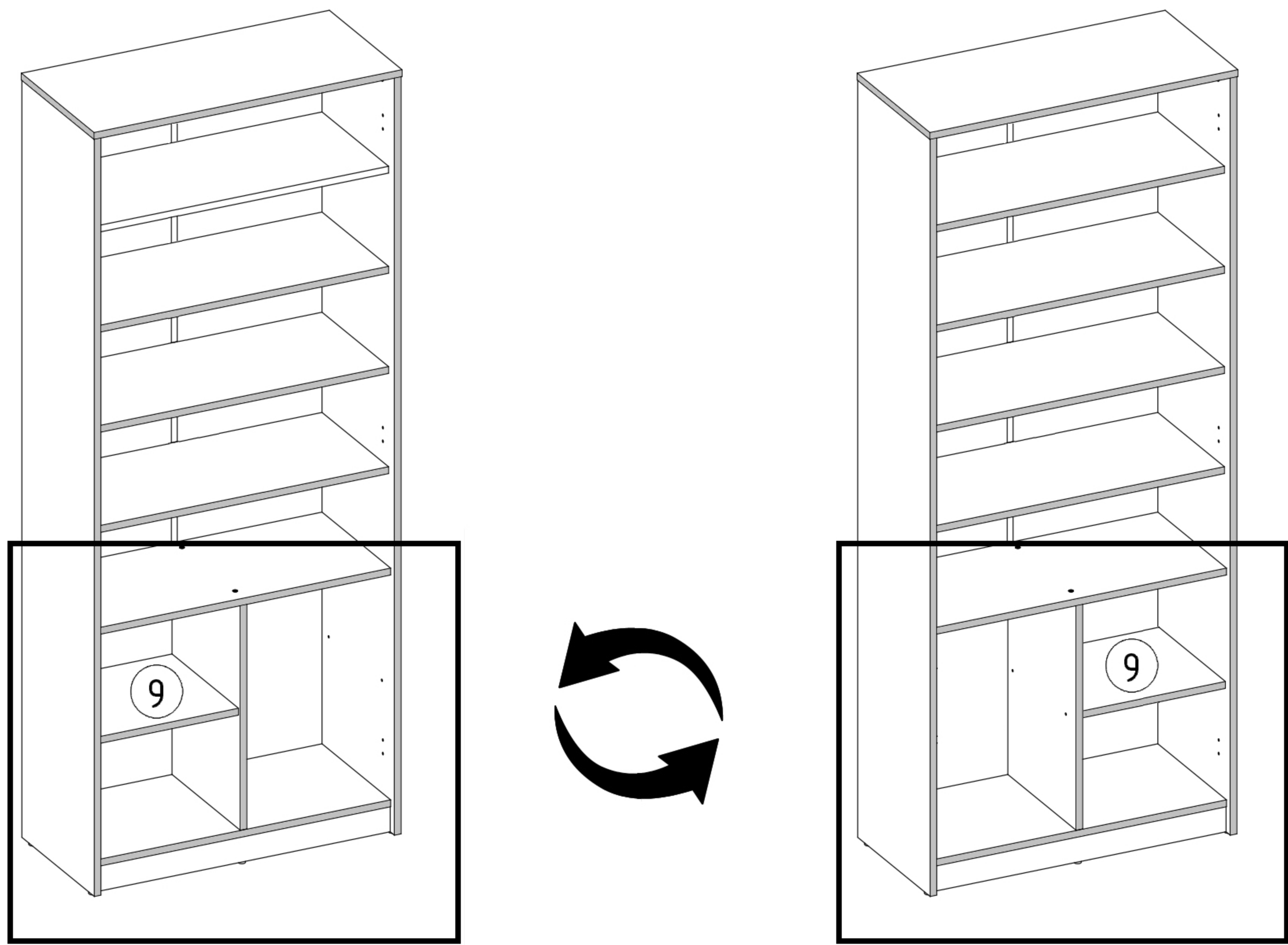
**X = Y**

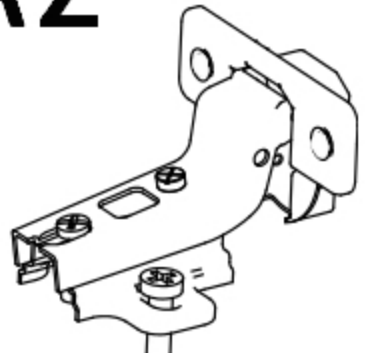



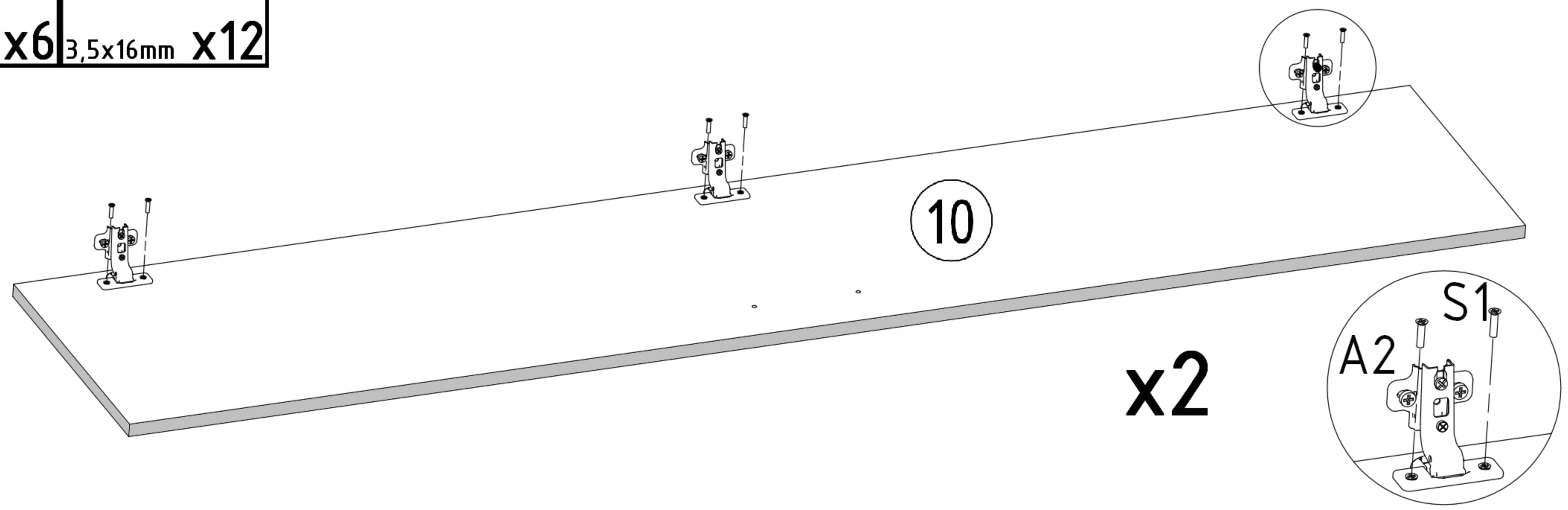
6mm

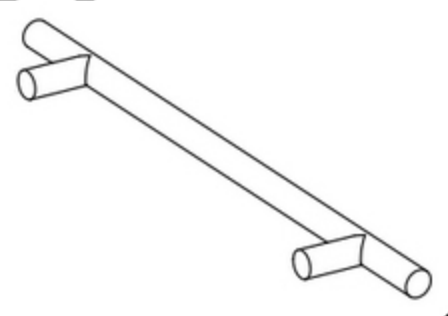
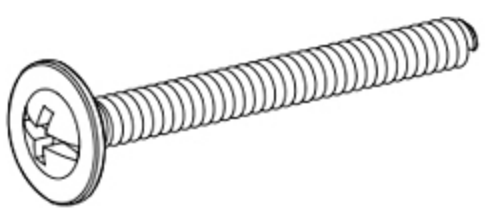

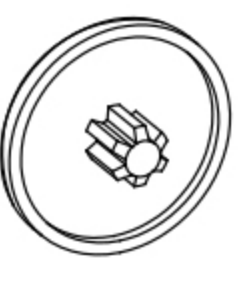






<b>A2</b> 	<b>S1</b> 
ZW <b>x6</b>	3,5x16mm <b>x12</b>



<b>U8</b> 	<b>S5</b> 	<b>K2</b> 	<b>M2</b> 
L=200mm <b>x2</b>	4x27 mm <b>x4</b>	<b>x1</b>	16 mm <b>x4</b>

