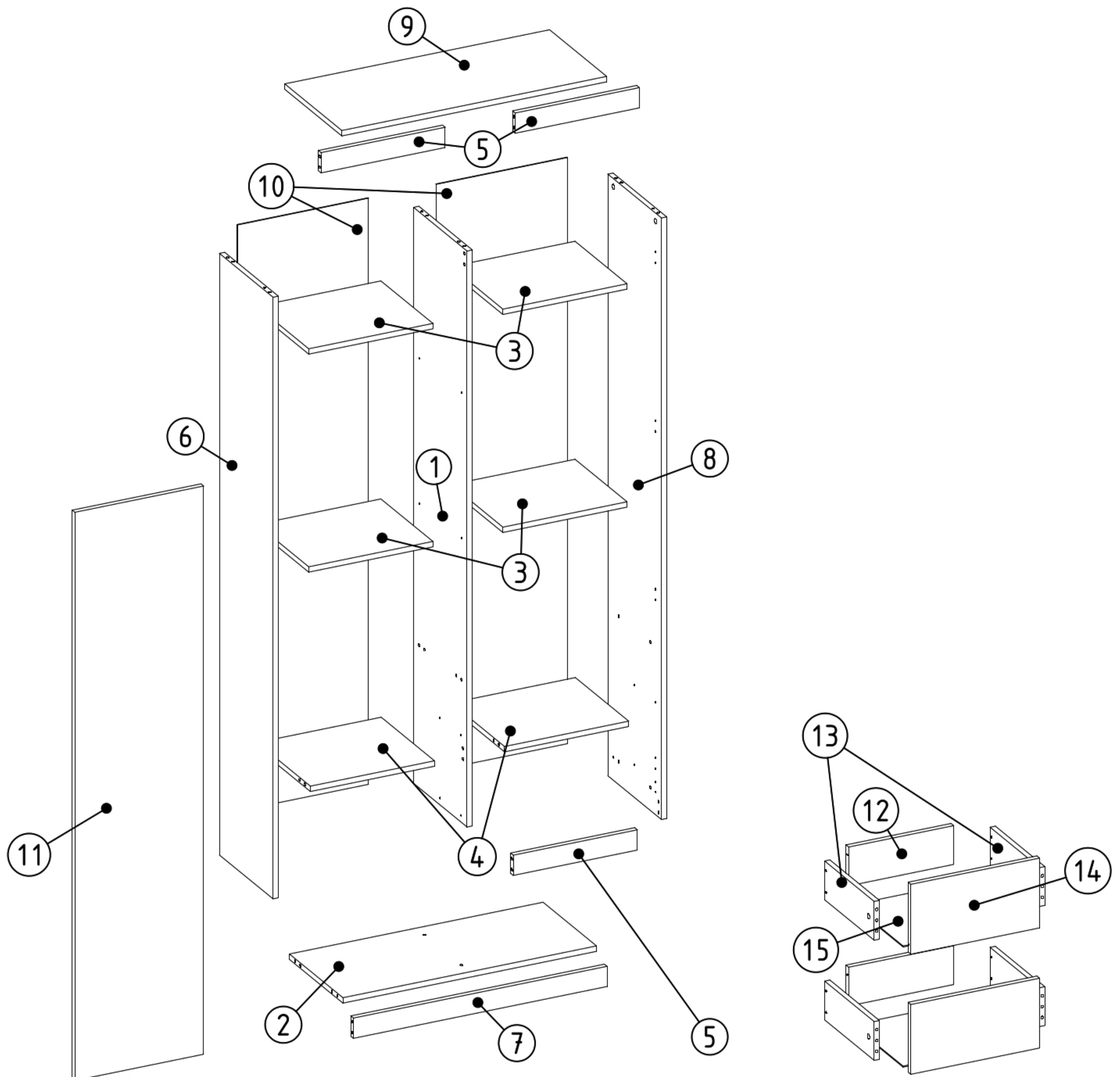
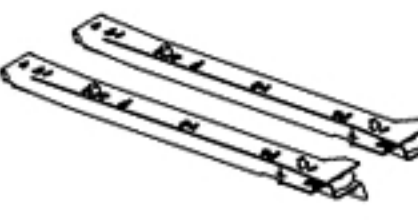






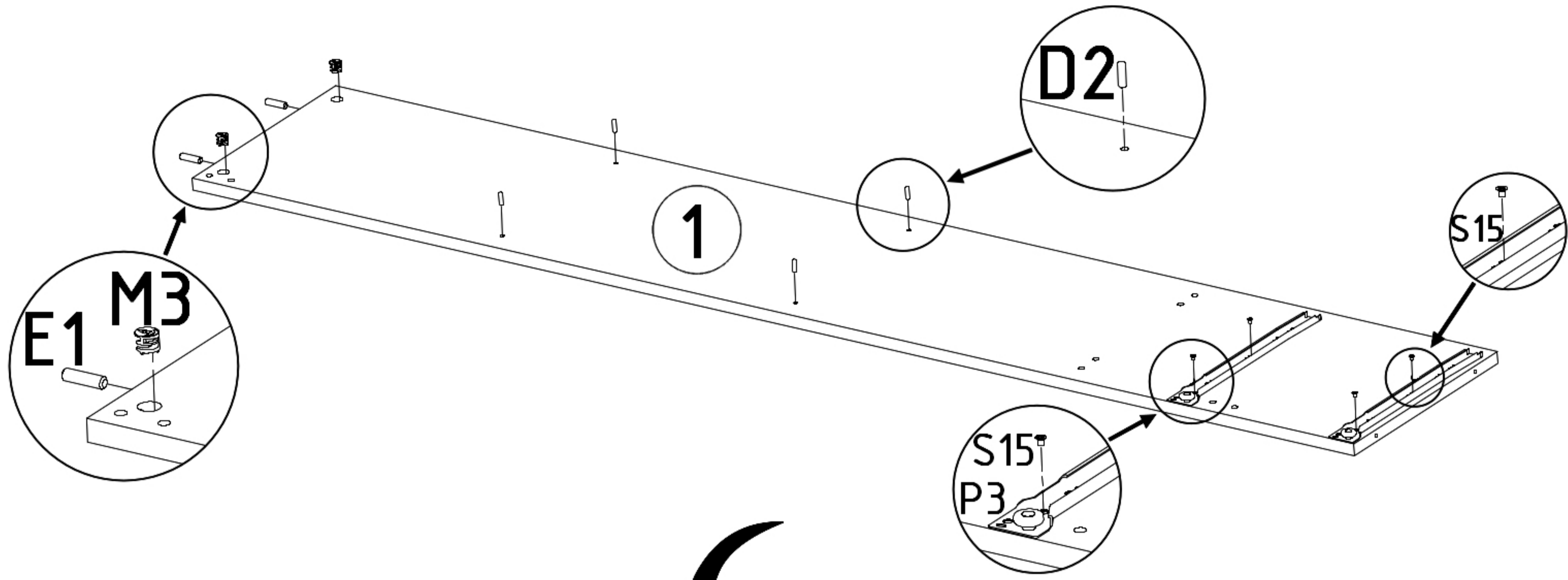
P3 L=300 mm x 2	E4 L=43 mm x 8	M4 ø8 mm x 4	M5 ø5 mm x 14	A0 ZB x 4	N3 L=56 mm x 2	S15 6x9 mm x 8	
N2 L=35 mm x 18	M3 12x15 mm x 22	D2 5x16 mm x 16	F2 7x50 mm x 2	S1 3,5x16 mm x 16	E1 8x30 mm x 34	S7 2,5x20 mm x 8	
T1 x 5	Z2 x 90	K1 x 1	Z4 x 8	M2 ø17 mm x 10	E3 8x50 mm x 4	 x 1	 x 1






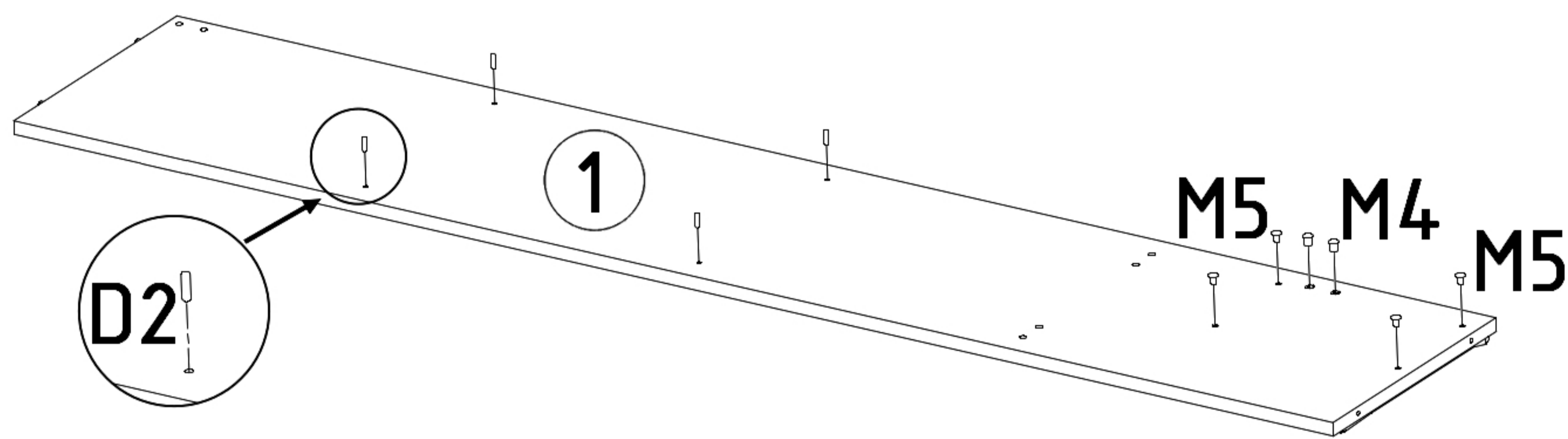
1	x 1
2	x 1
3	x 4
4	x 2
5	x 3
6	x 1
7	x 1



8	x 1
9	x 1
10	x 2
11	x 1
12	x 2
13	x 4
14	x 2
15	x 2

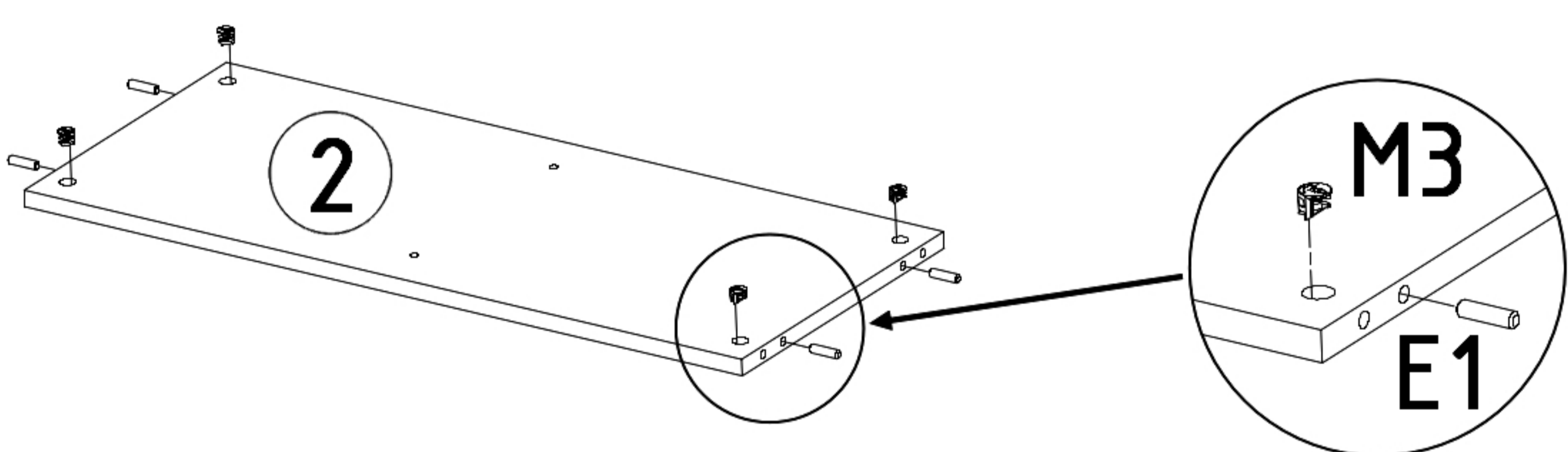
P3  x 2	S15  x 4	E1  x 2	D2  x 4	M3  x 2
--	--	---	---	---



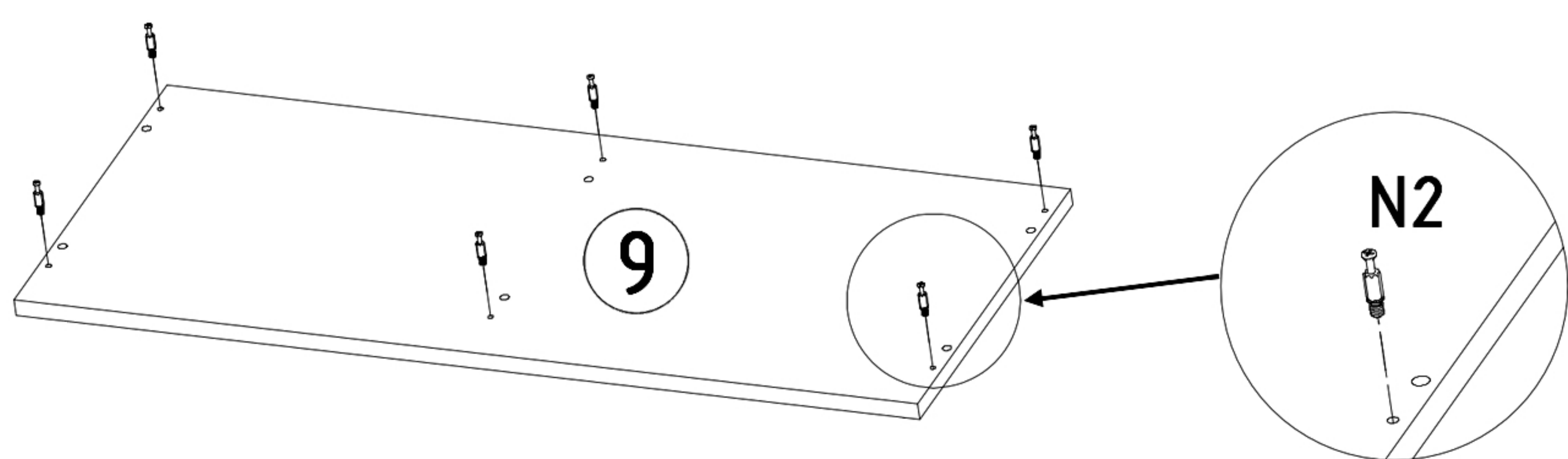
M4  x 2	M5  x 4	D2  x 4
--	---	---

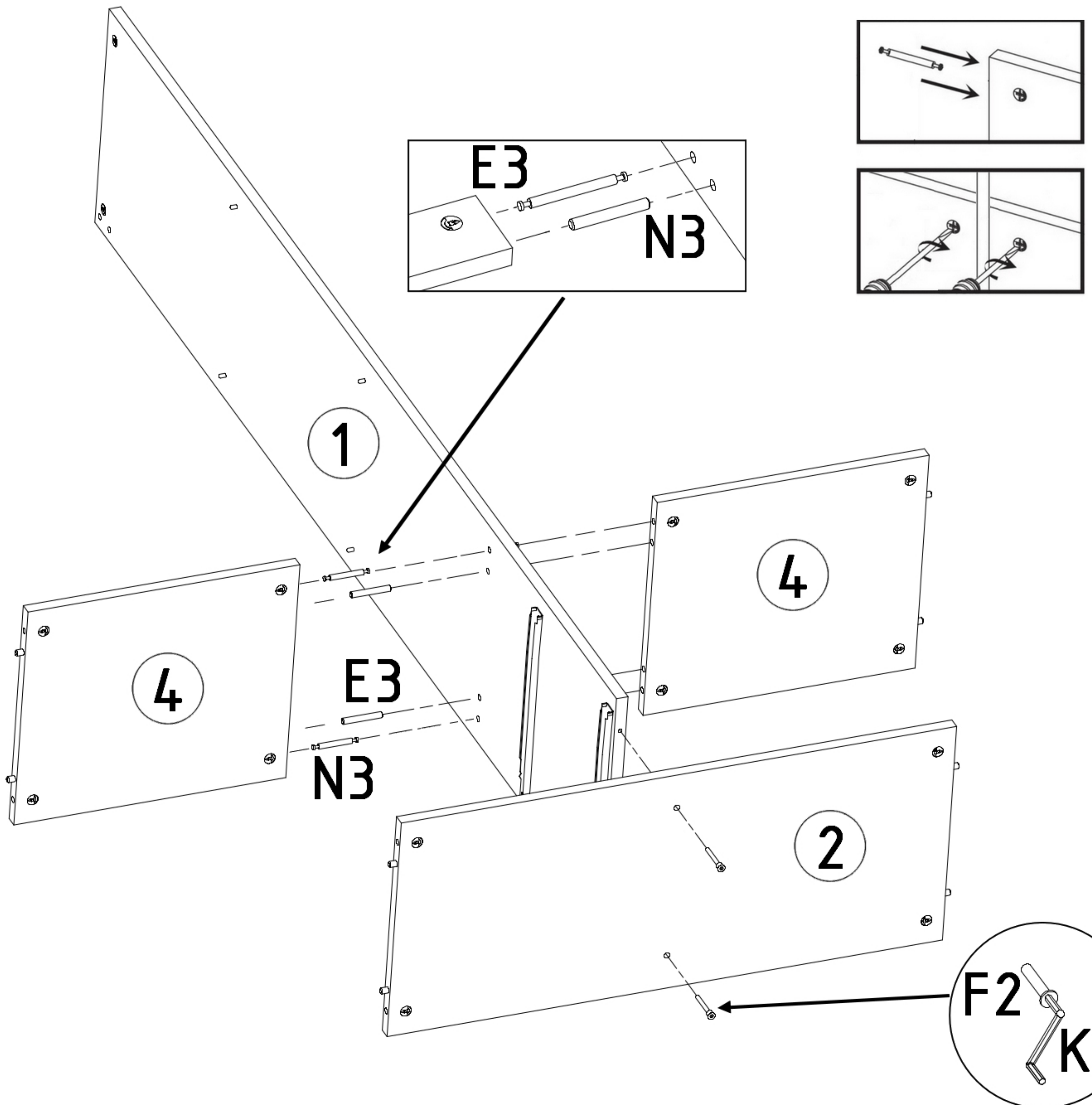
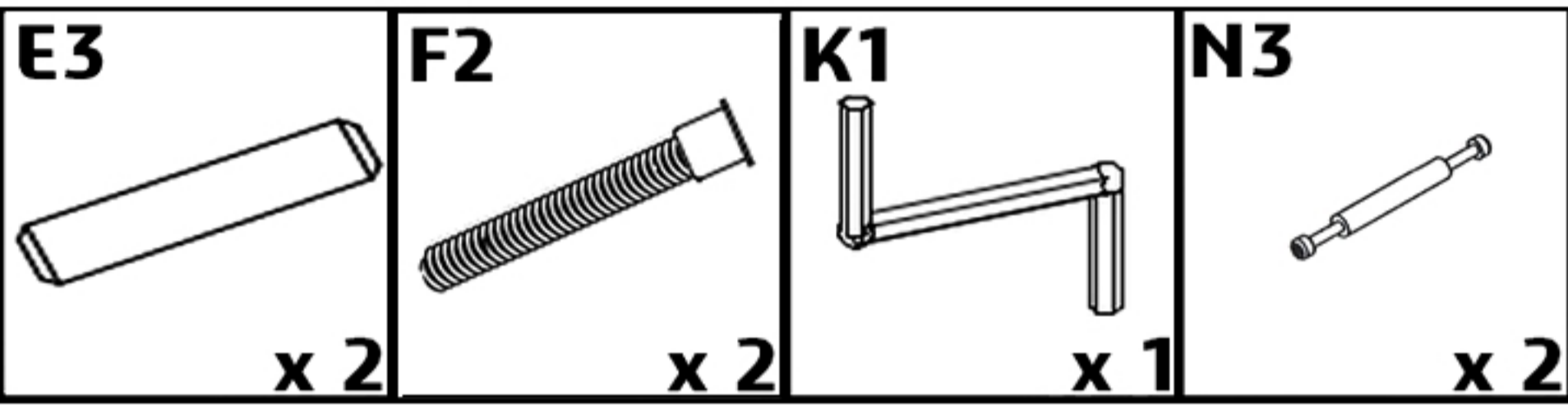
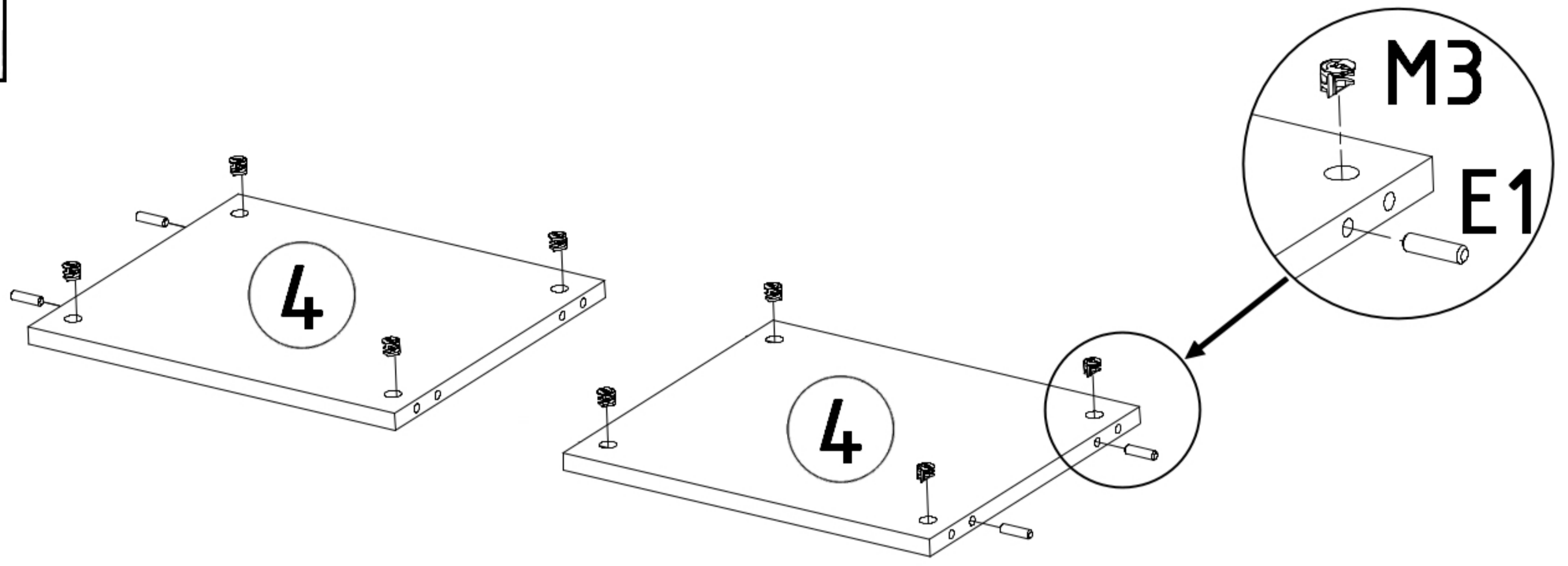
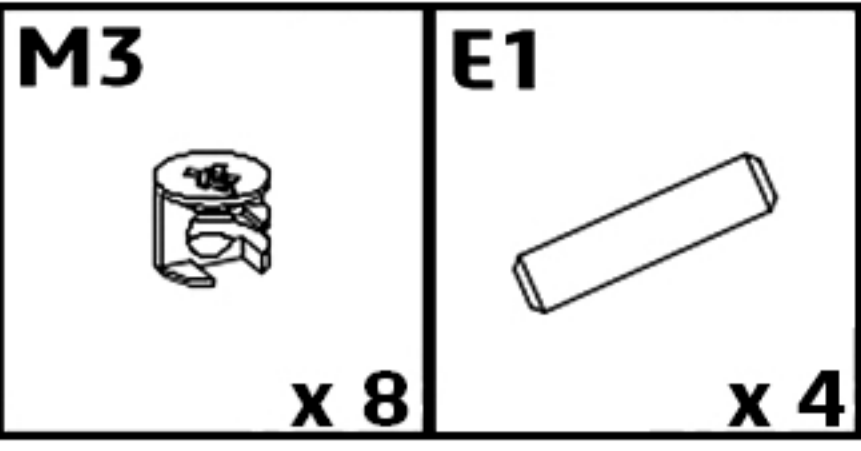




M3  x 4	E1  x 4
--	---

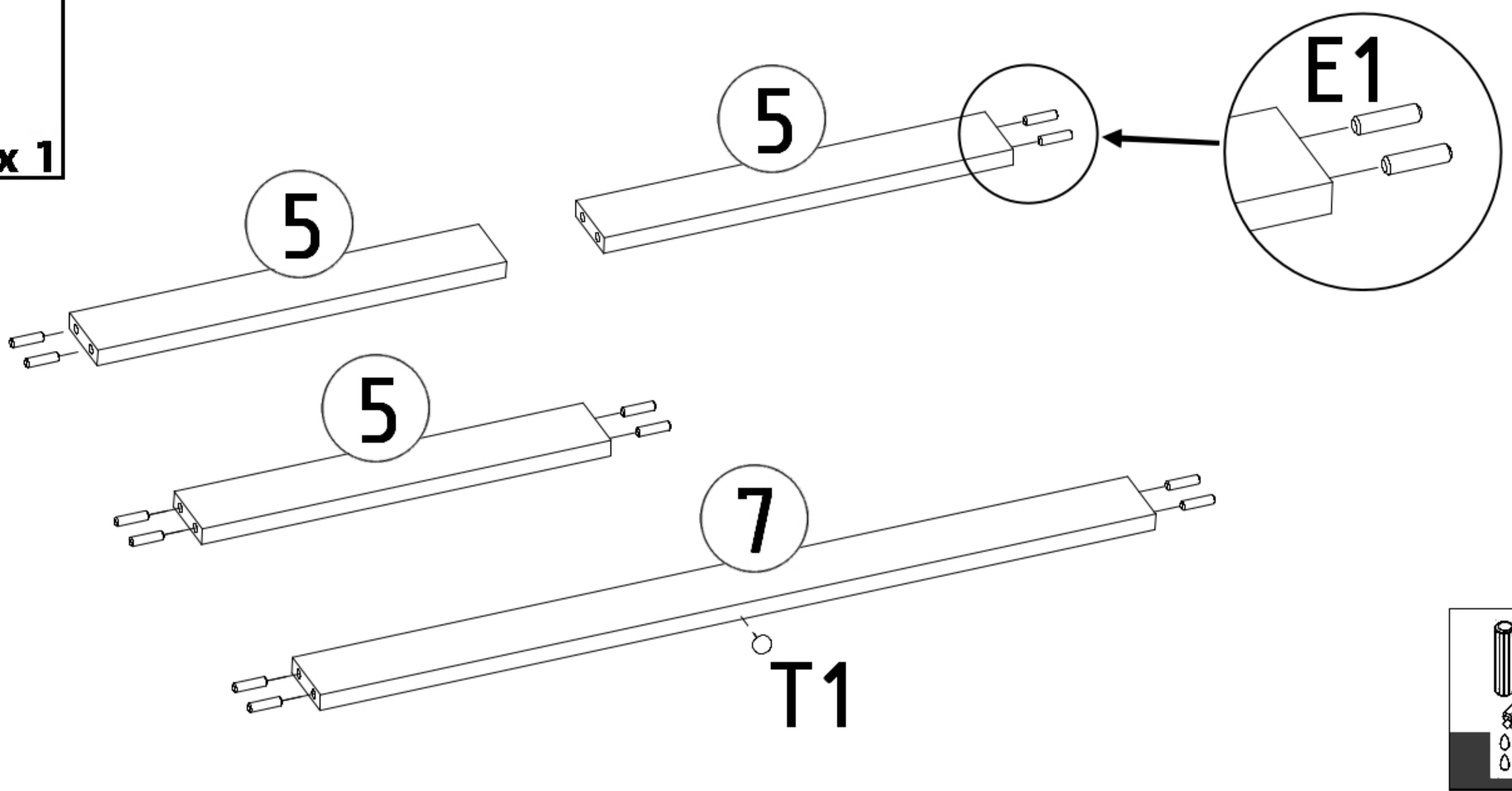








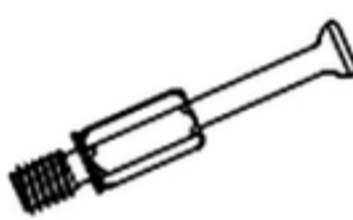
N2  x 6
--

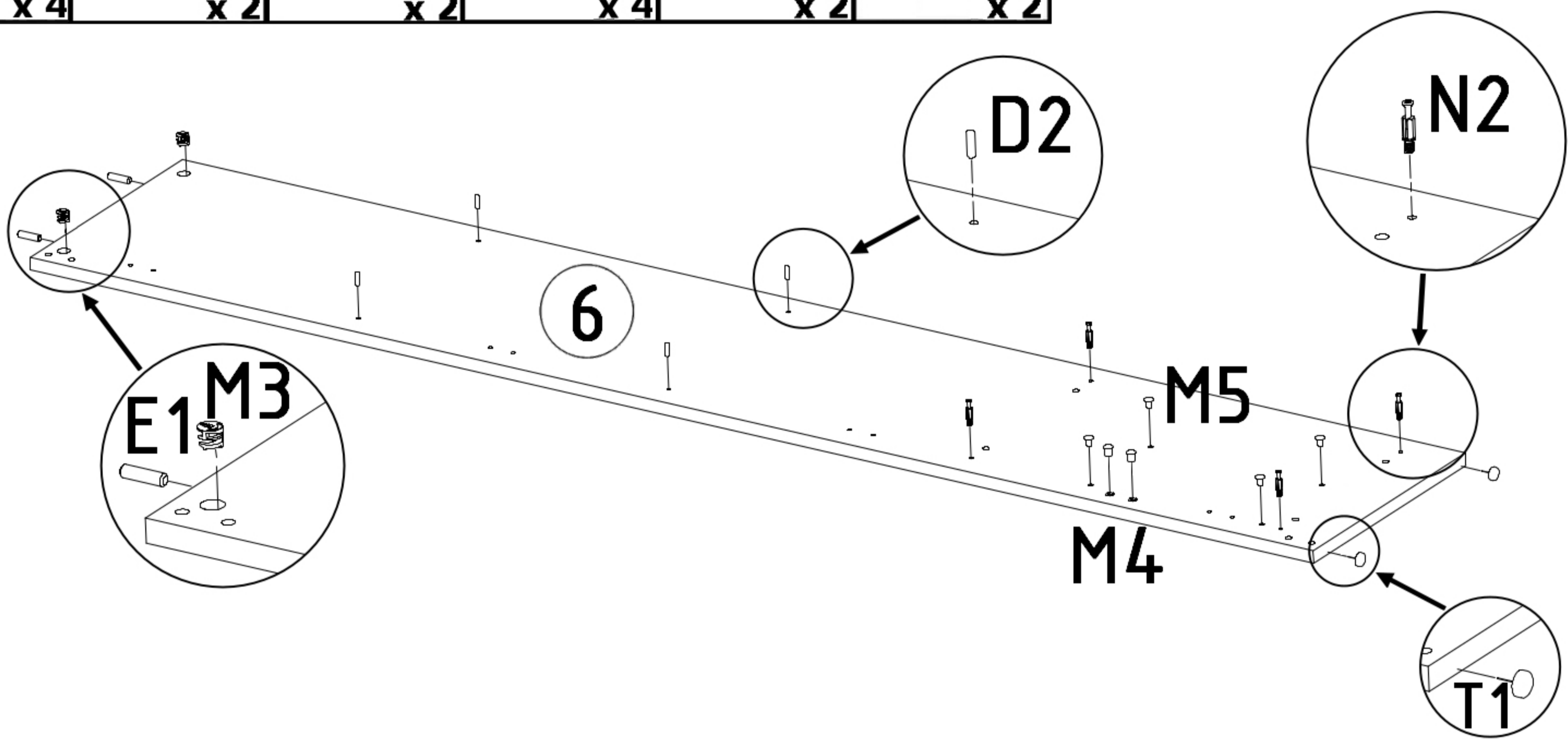


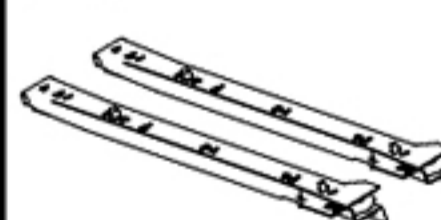









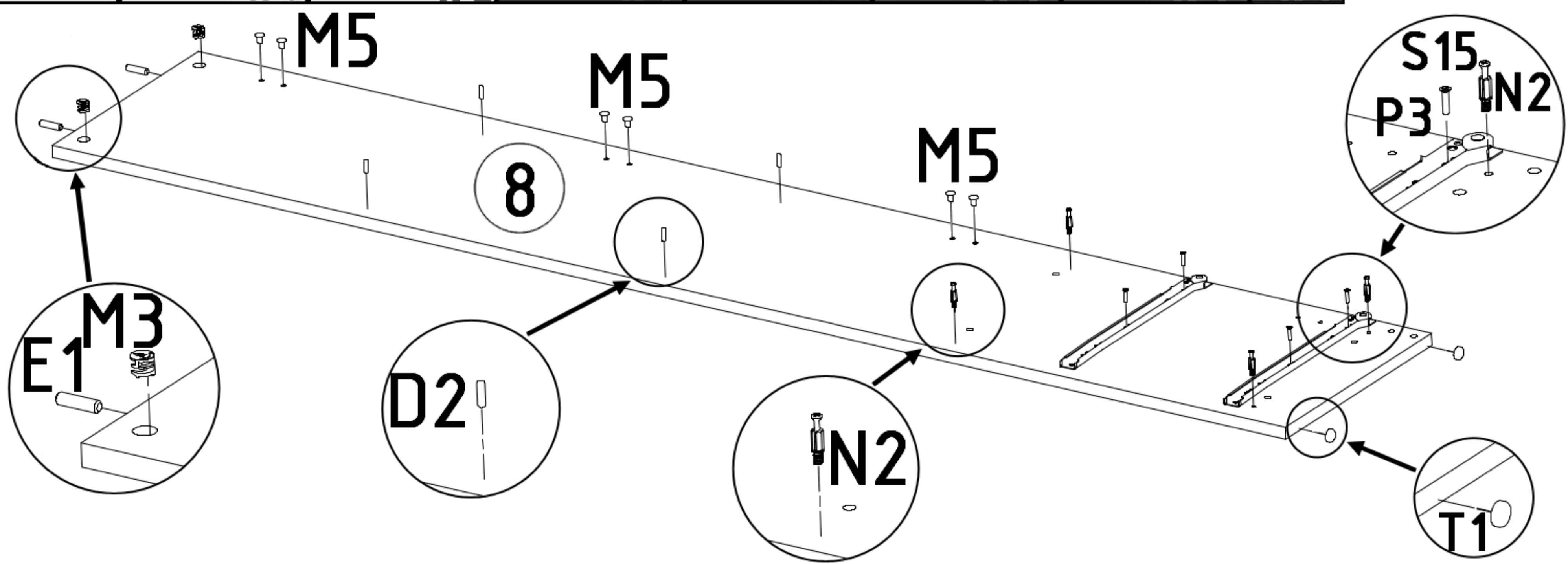
E1  x 12	T1  x 1
--	--

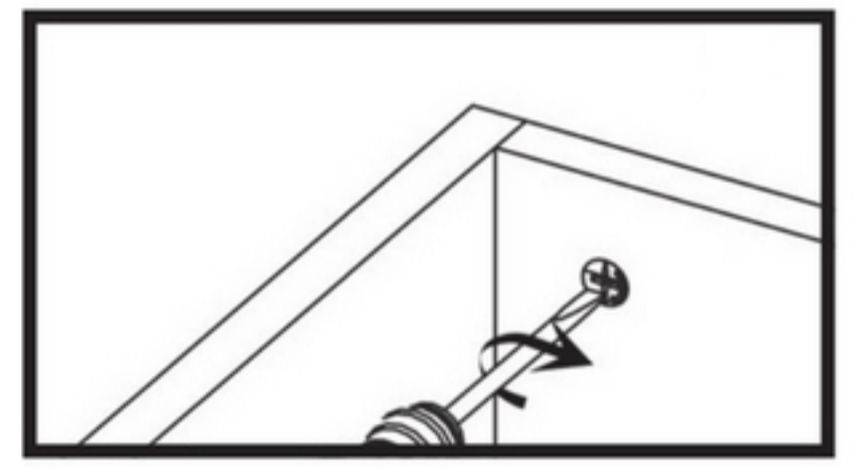
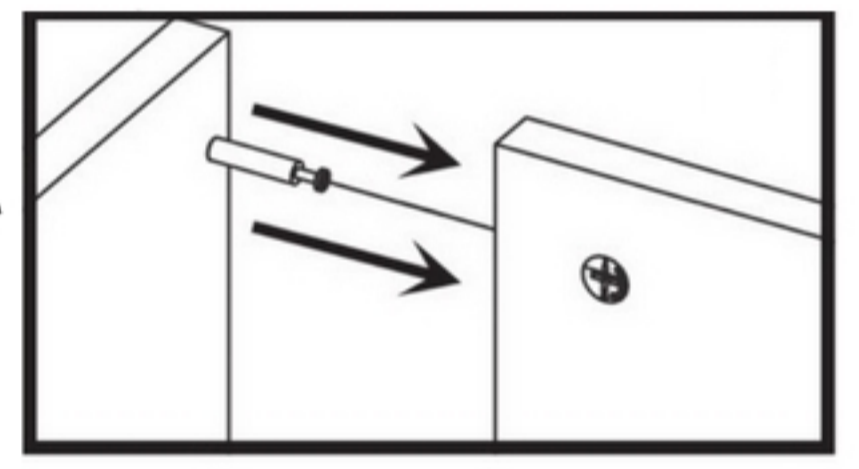
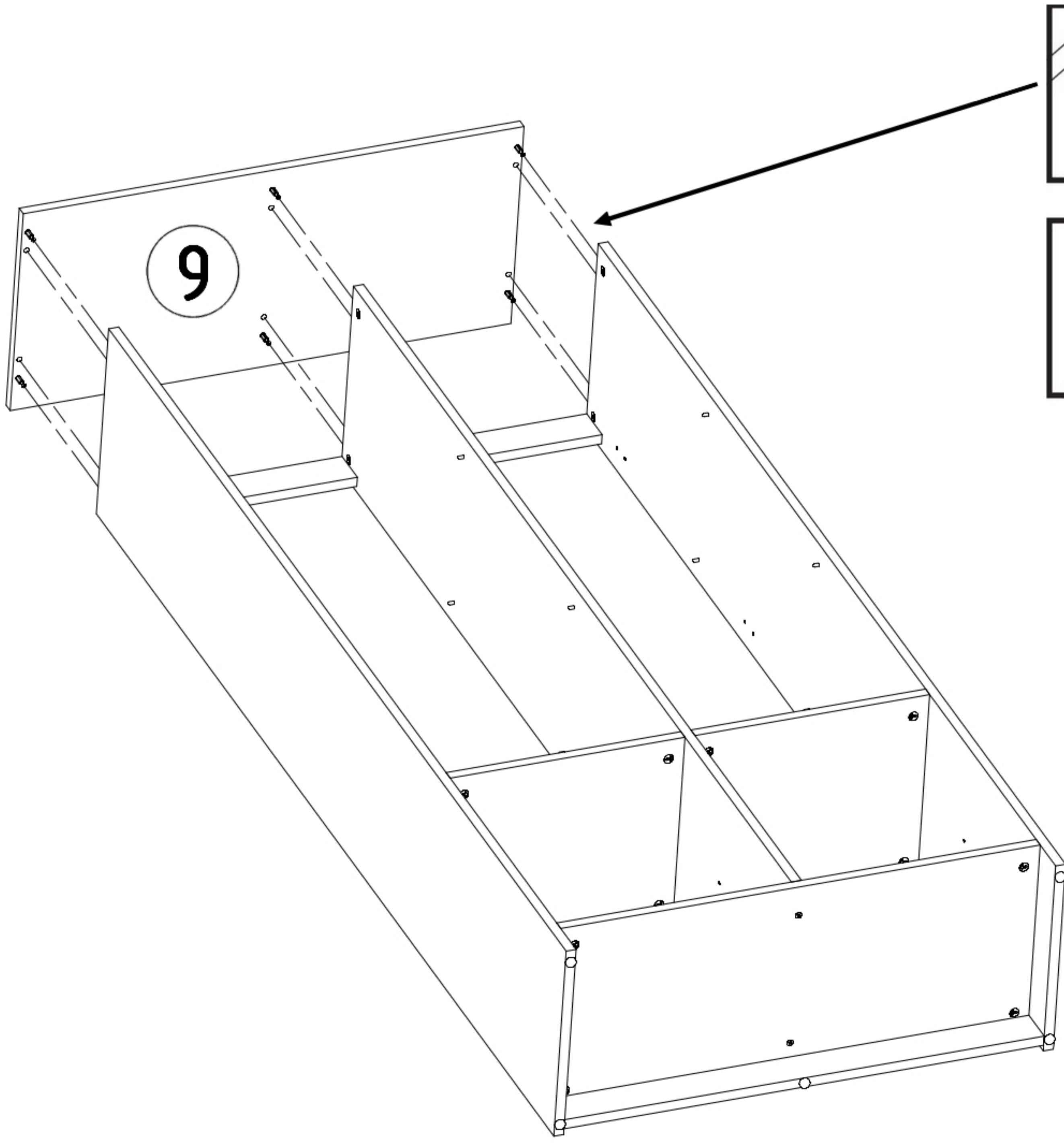
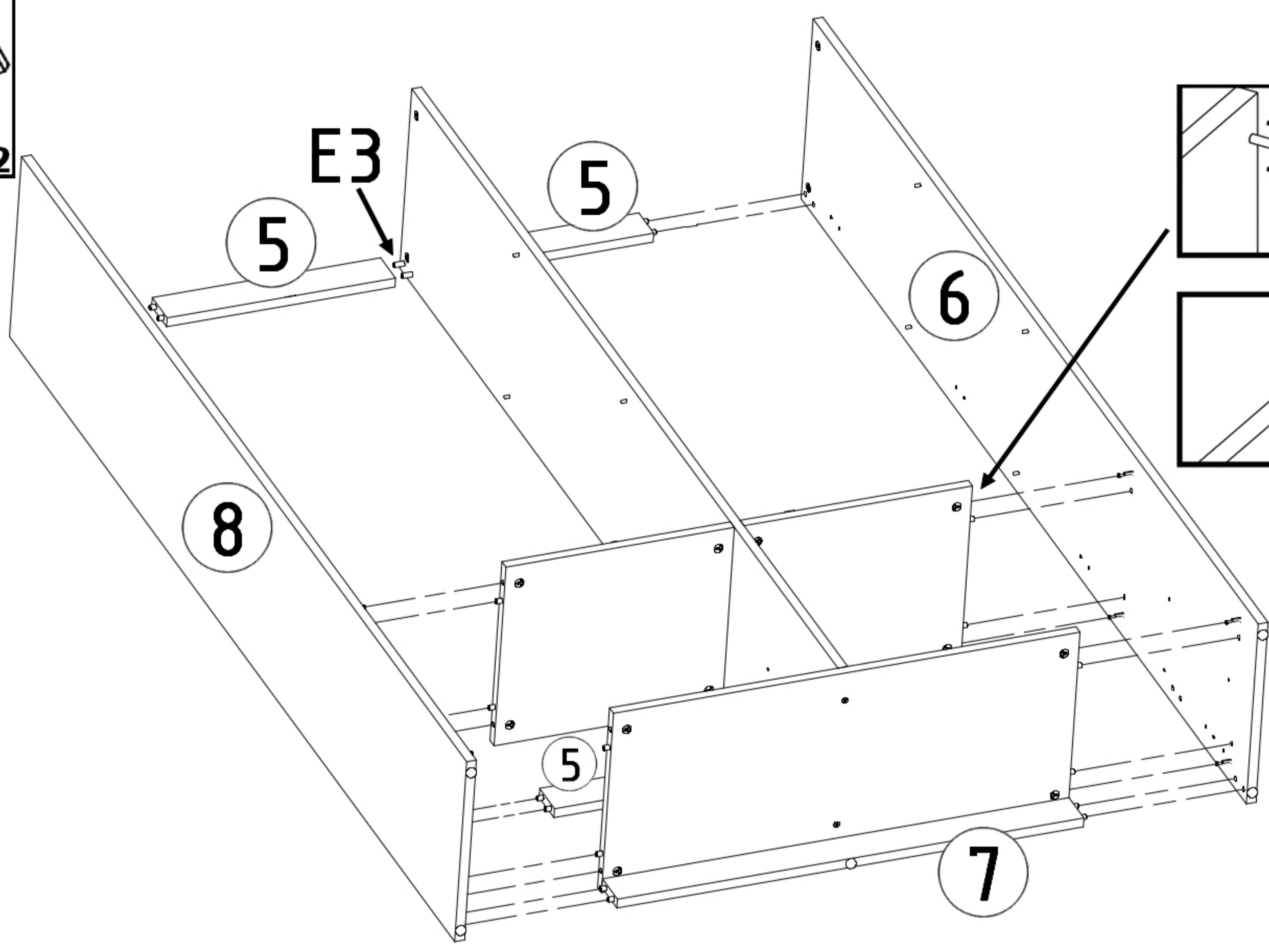
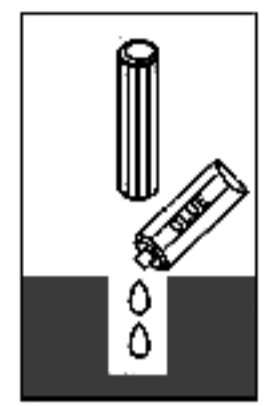
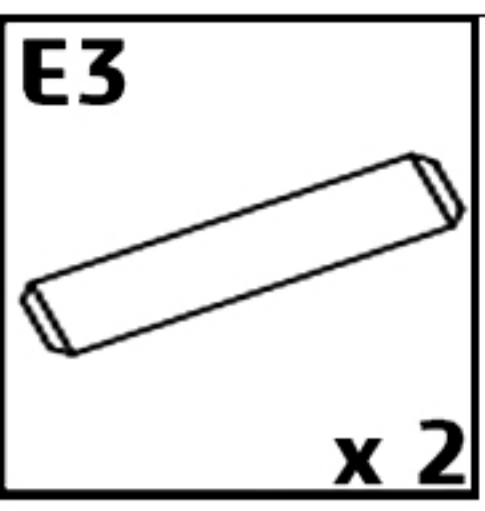





M4  x 2	M5  x 4	T1  x 2	E1  x 2	D2  x 4	M3  x 2	N2  x 2
---	--	--	--	--	--	--

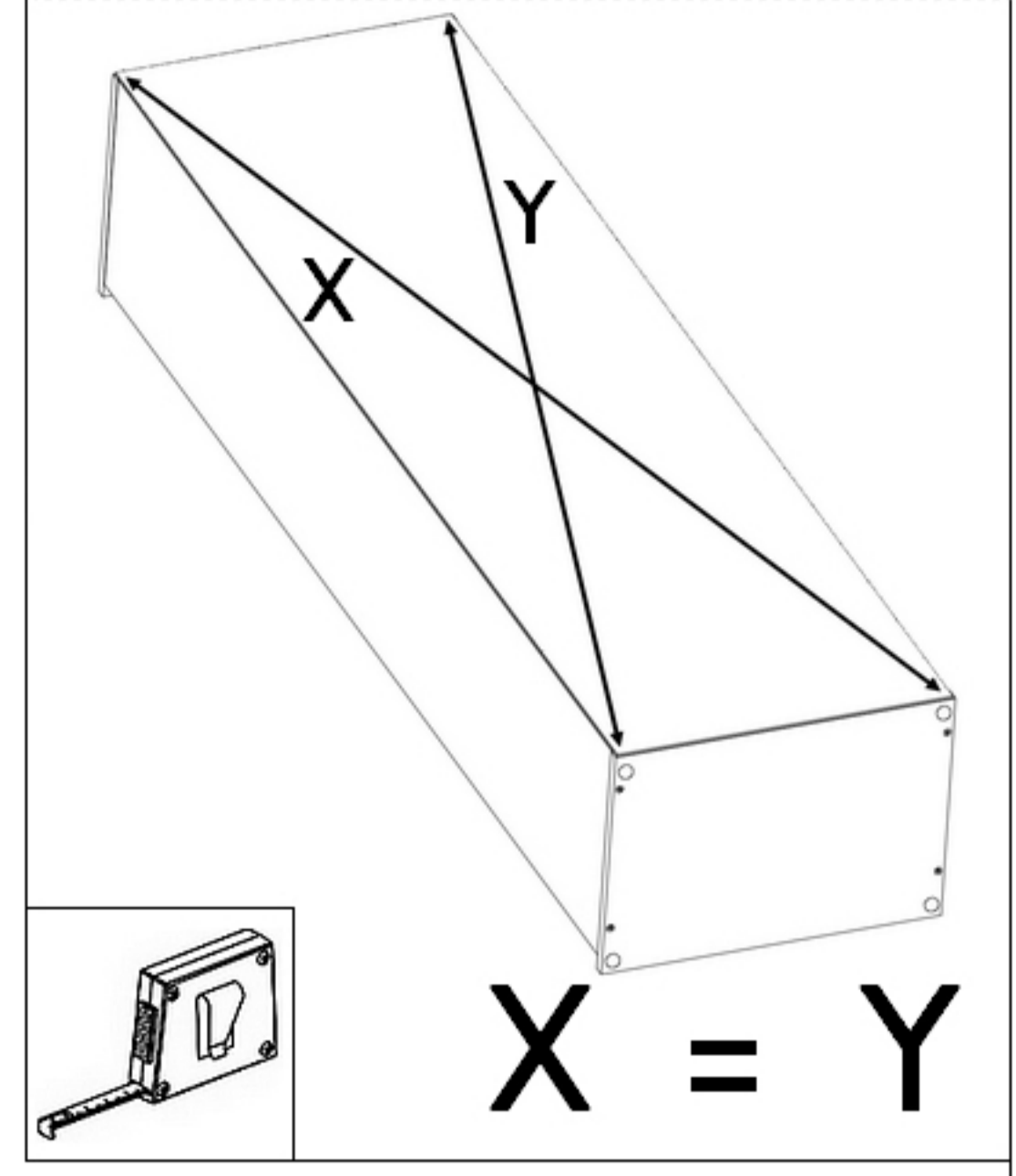
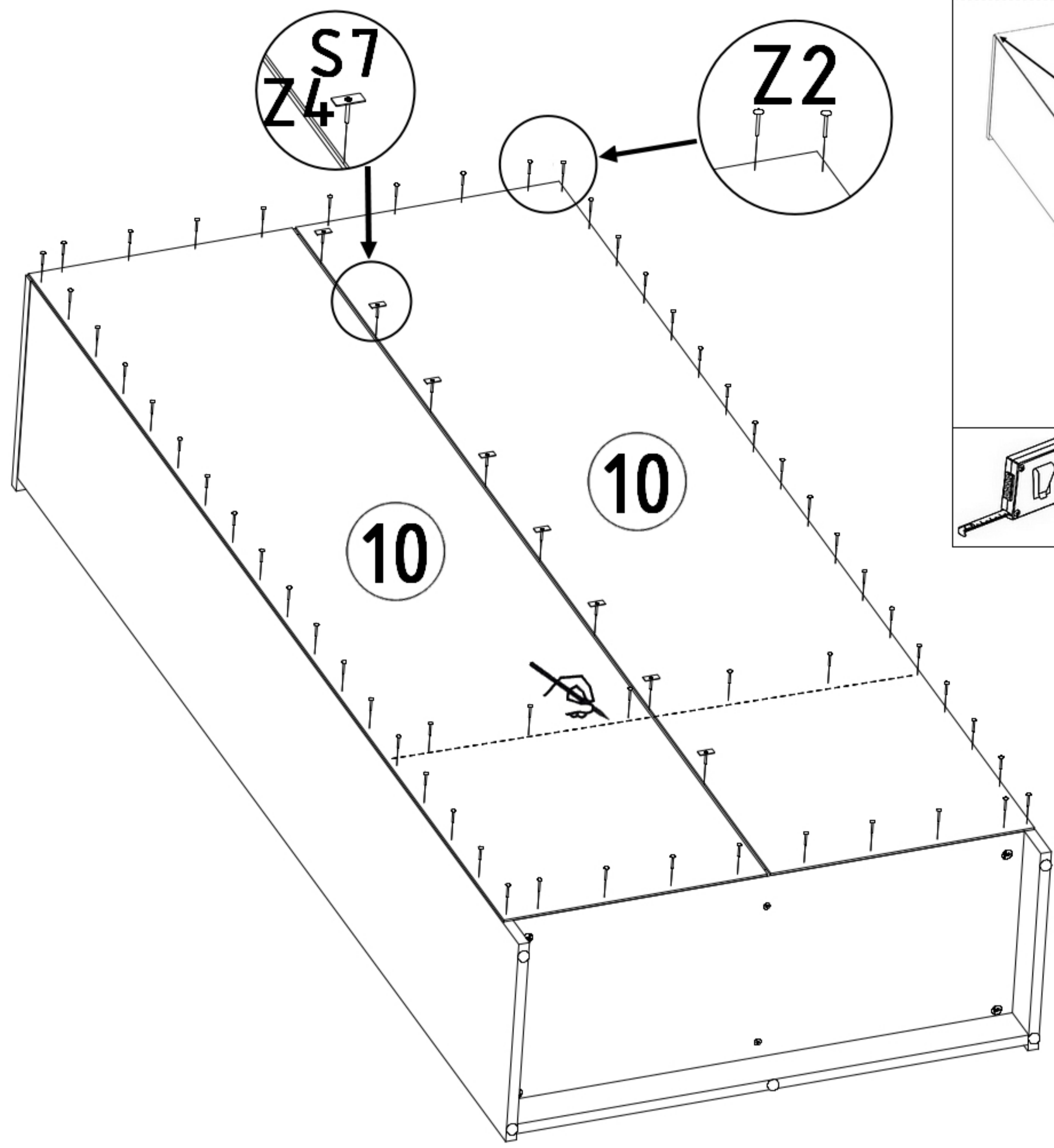



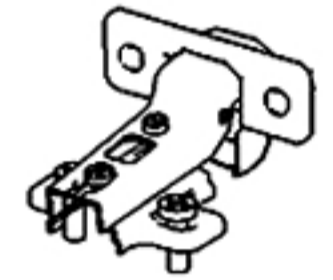
P3  x 2	S15  x 4	E1  x 2	D2  x 4	M3  x 2	N2  x 4	T1  x 2	M5  x 6
---	---	--	--	--	--	--	--

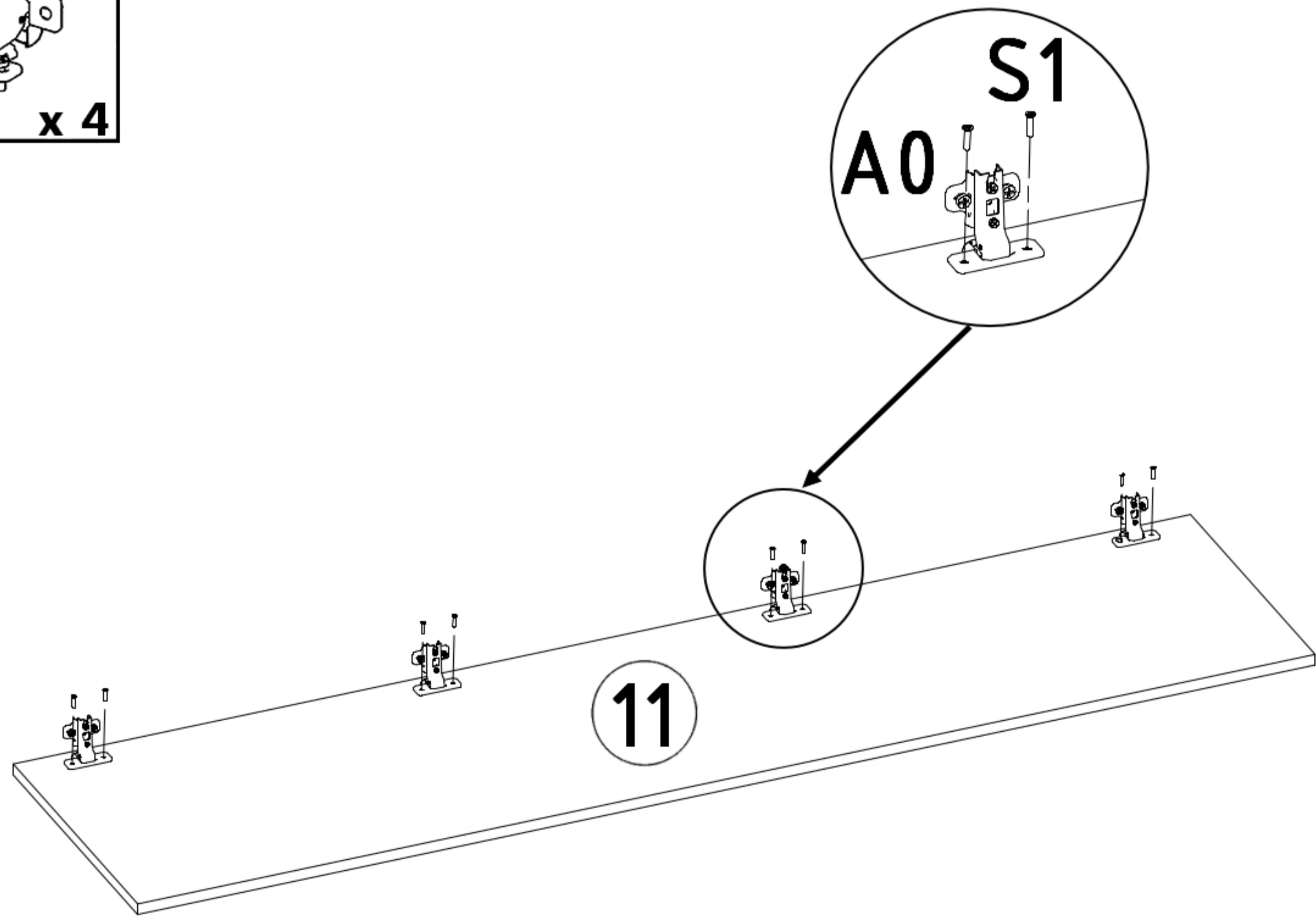


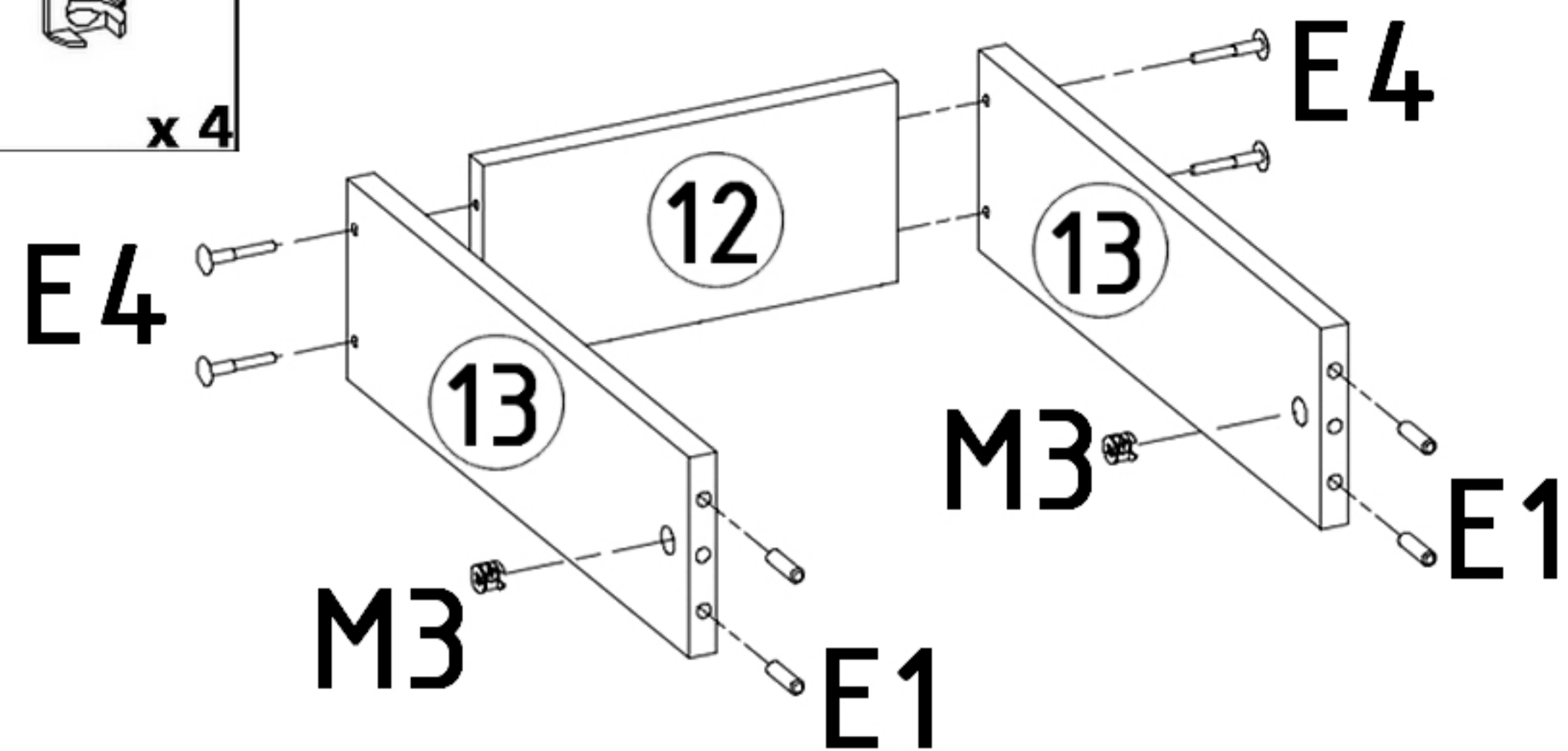
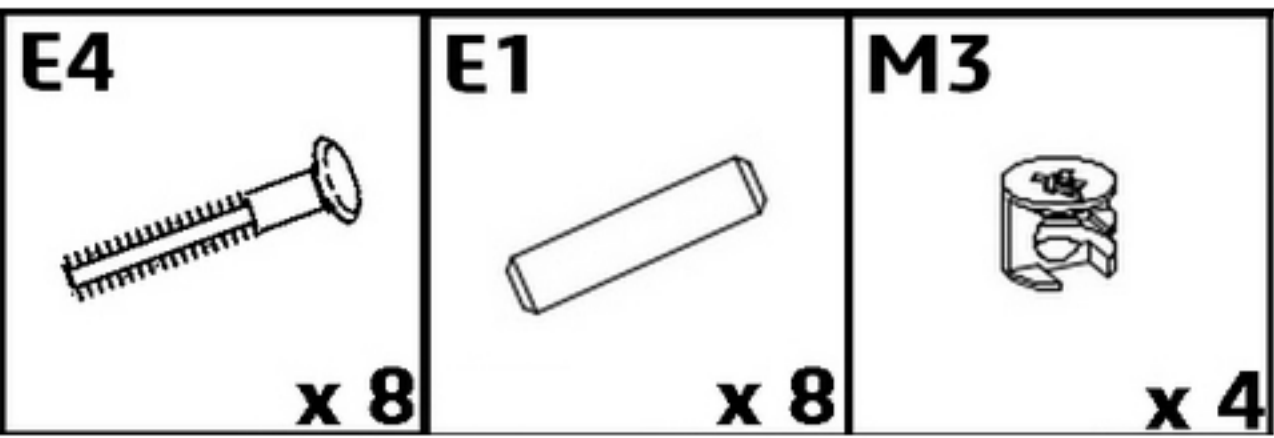


Z4  x 8
S7  x 8
Z2  x 70

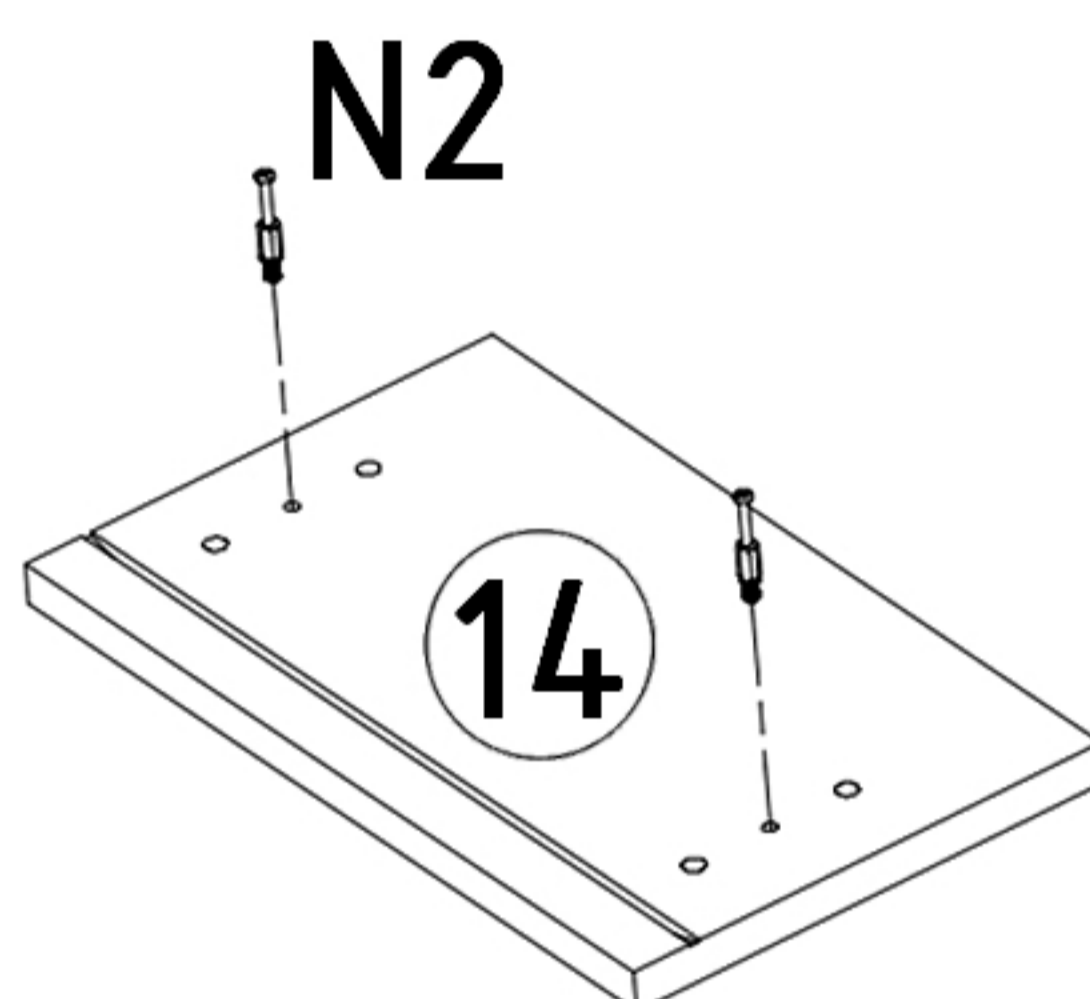
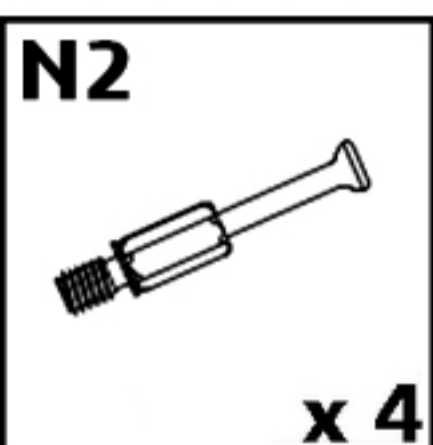


S1  x 8	A0  x 4
--	--

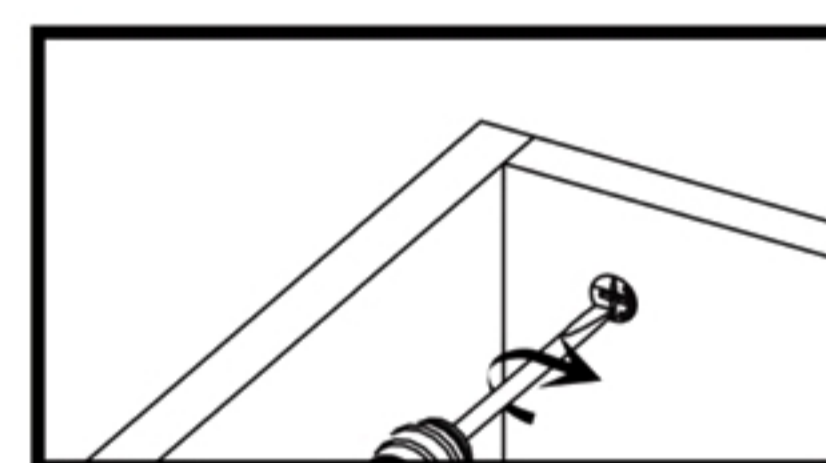
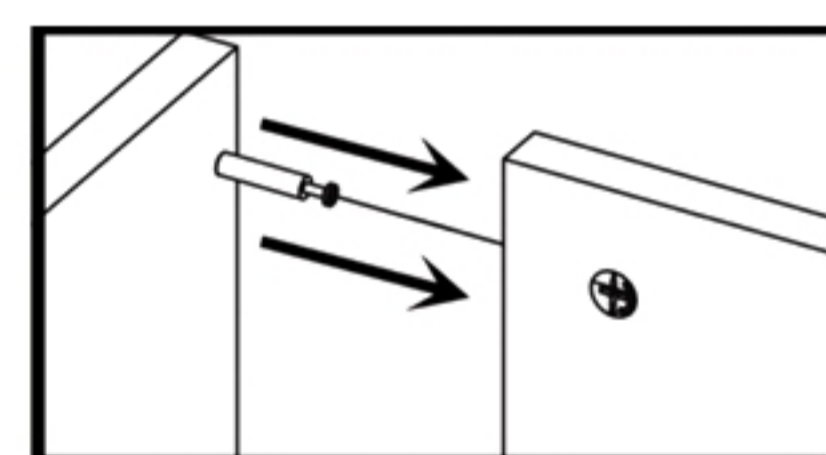
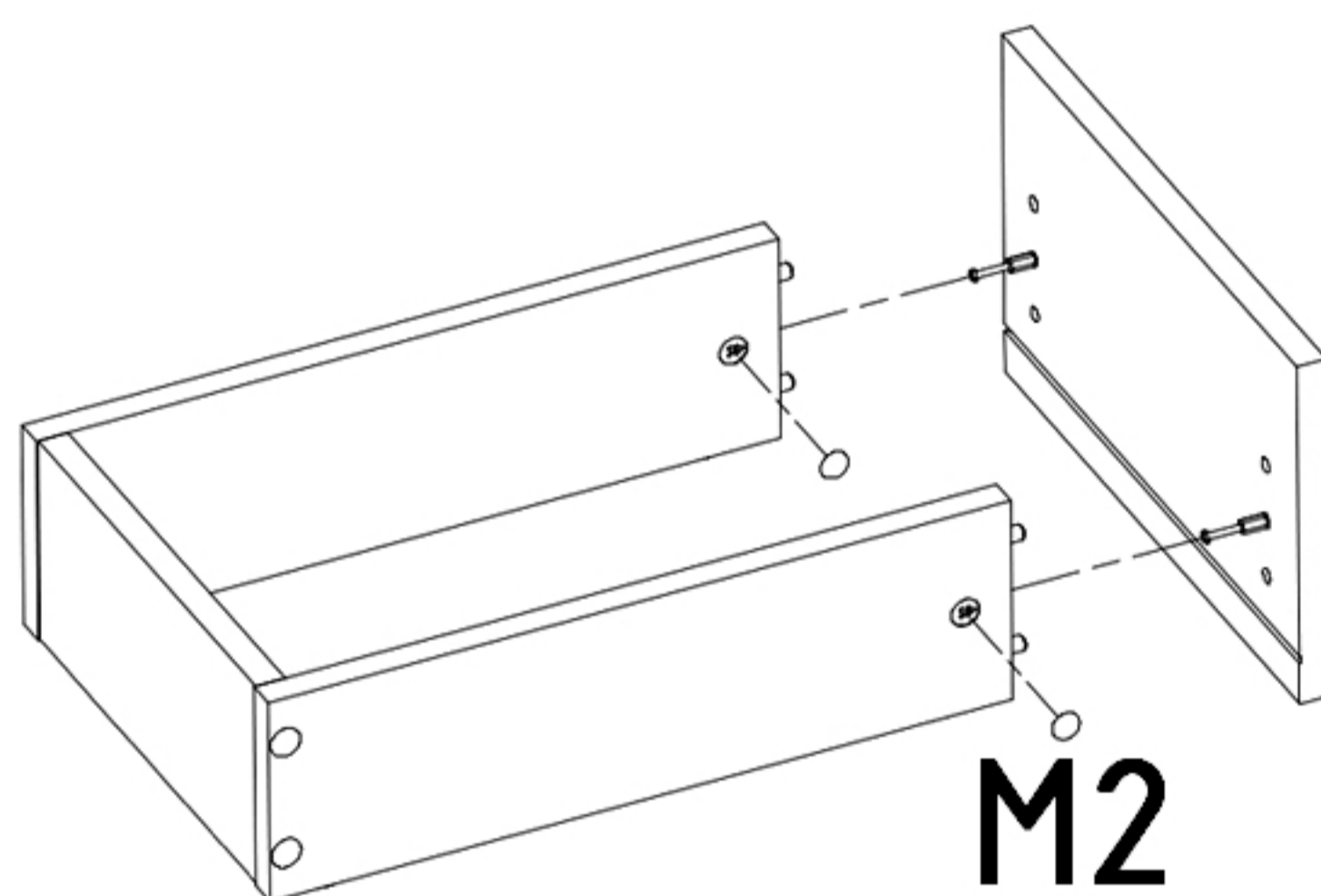
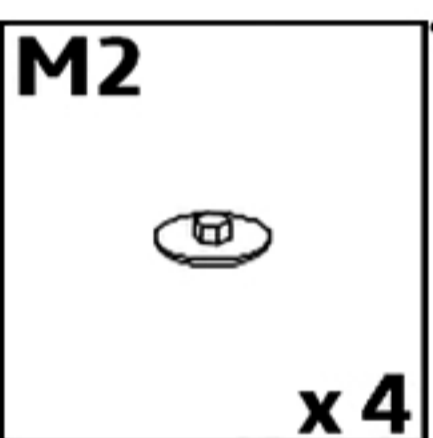




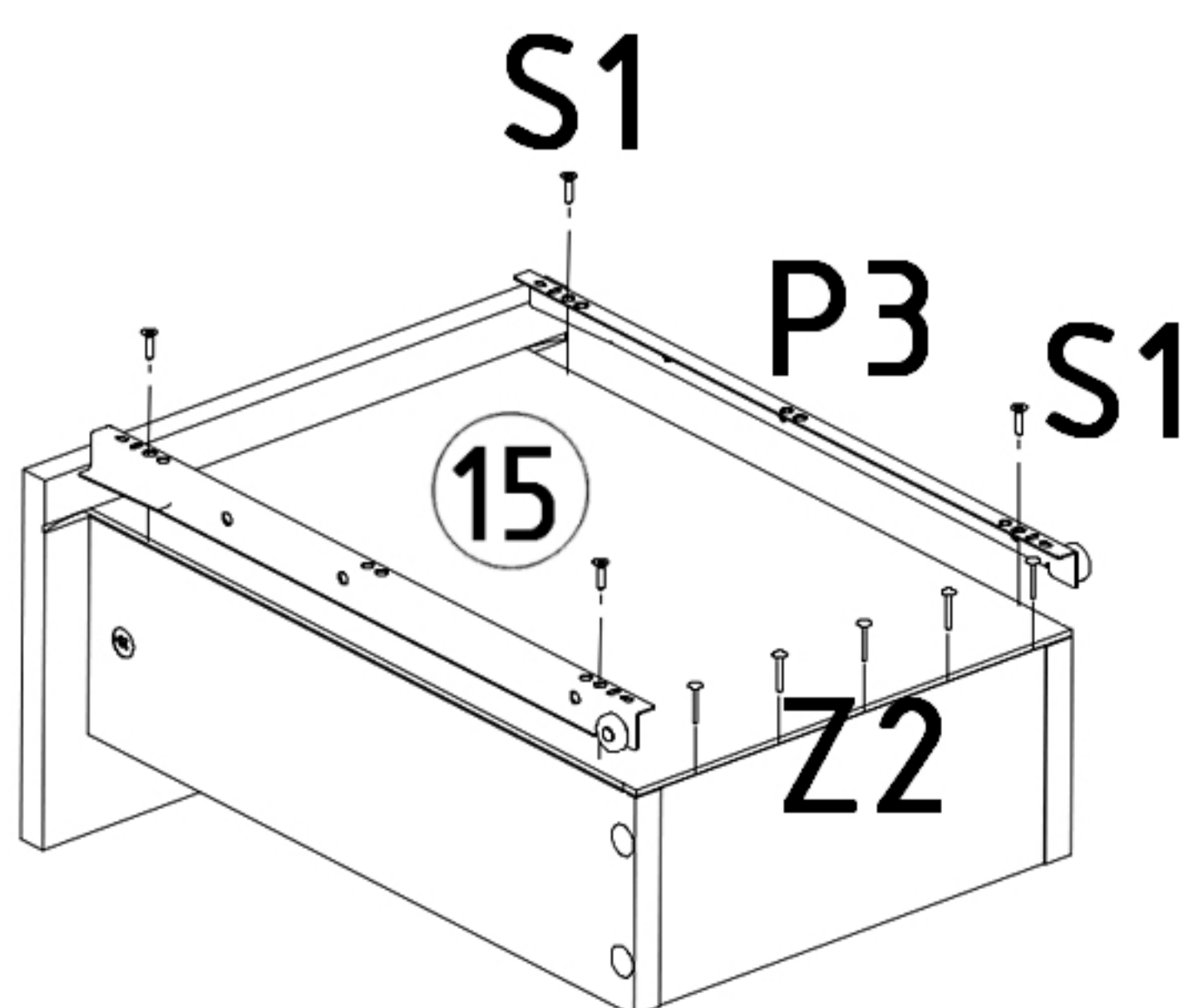
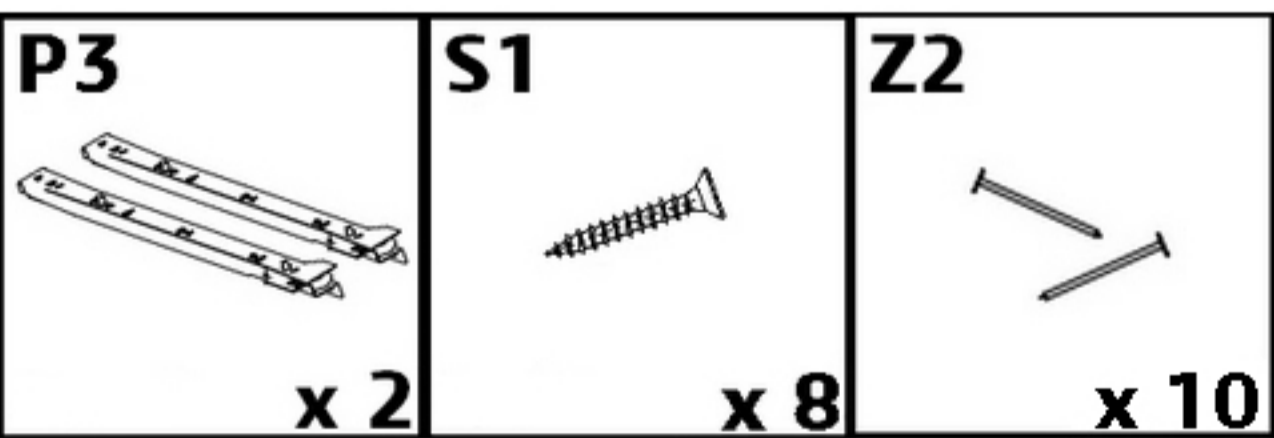
x 2



x 2



x 2



x 2

