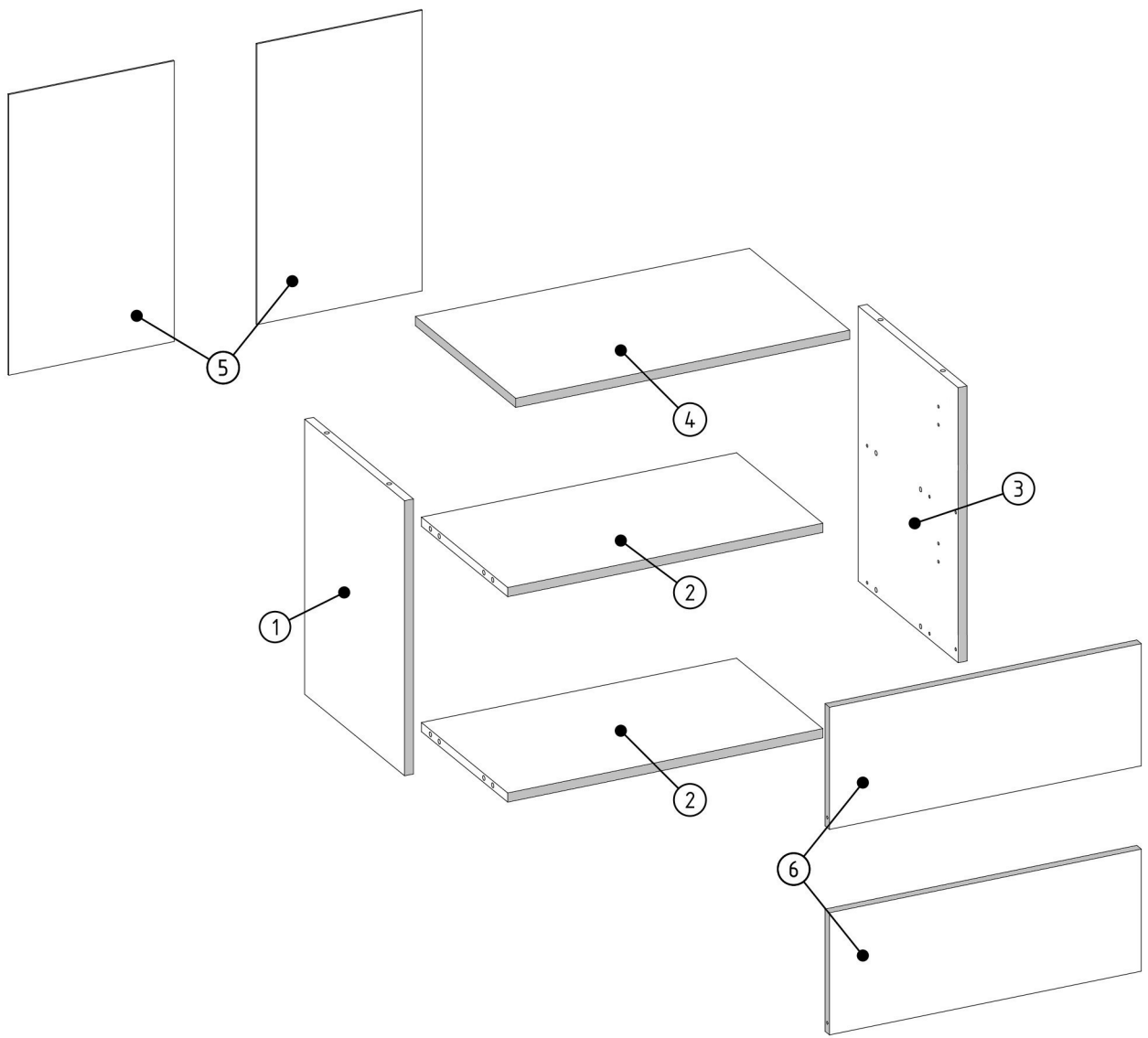

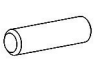


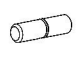
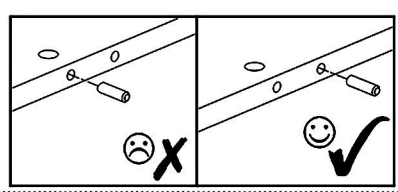
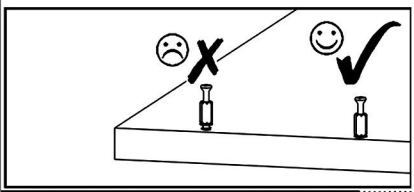
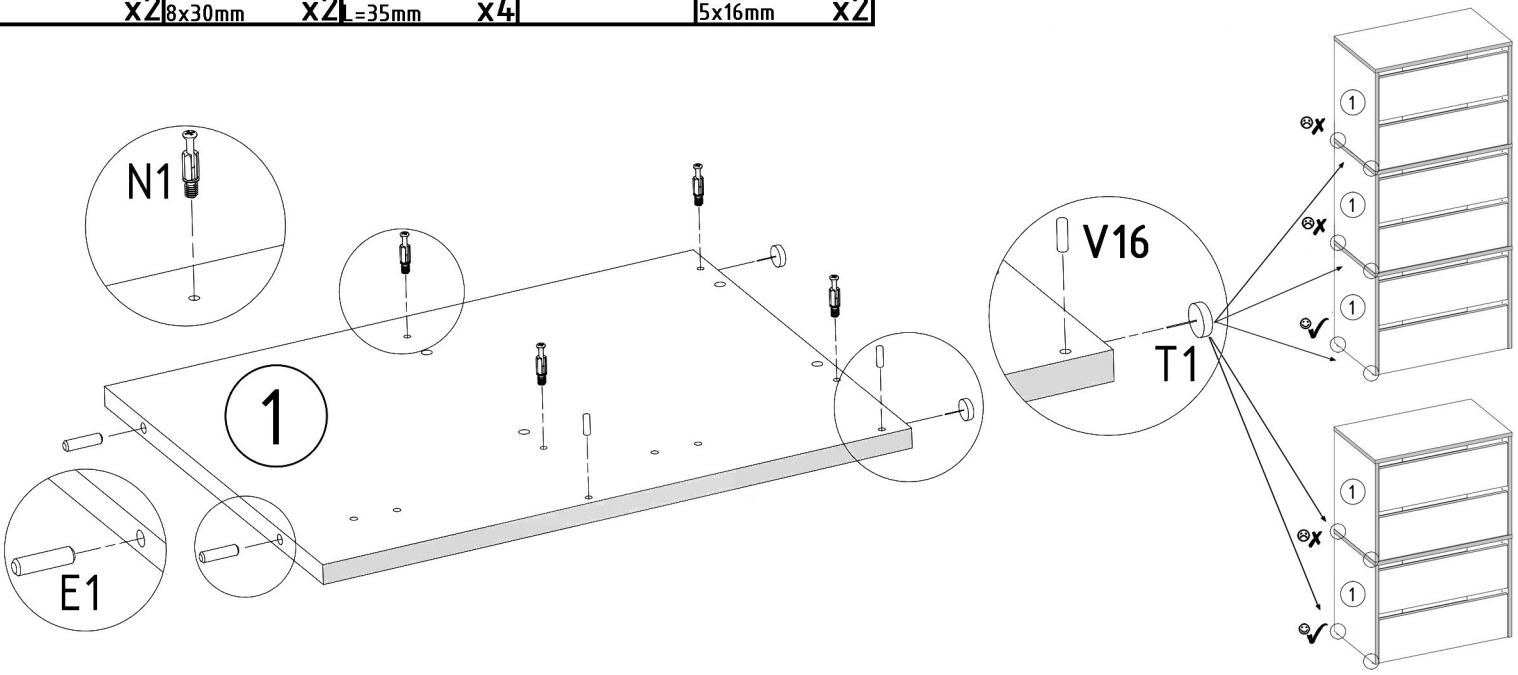



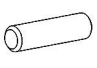
V27 L=225mm x2	R2 6x13mm x4	V29 L=112mm x2	V13 x1	S7 4x25mm x8			
T1 x4	E1 8x30mm x12	N1 L=35mm x8	V12 x1	S1 3,5x16mm x4	Z1 x40	V16 5x16mm x4	M1 12x15mm x8

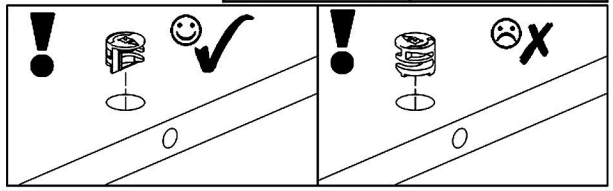
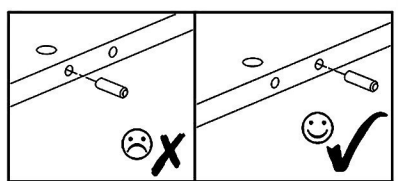
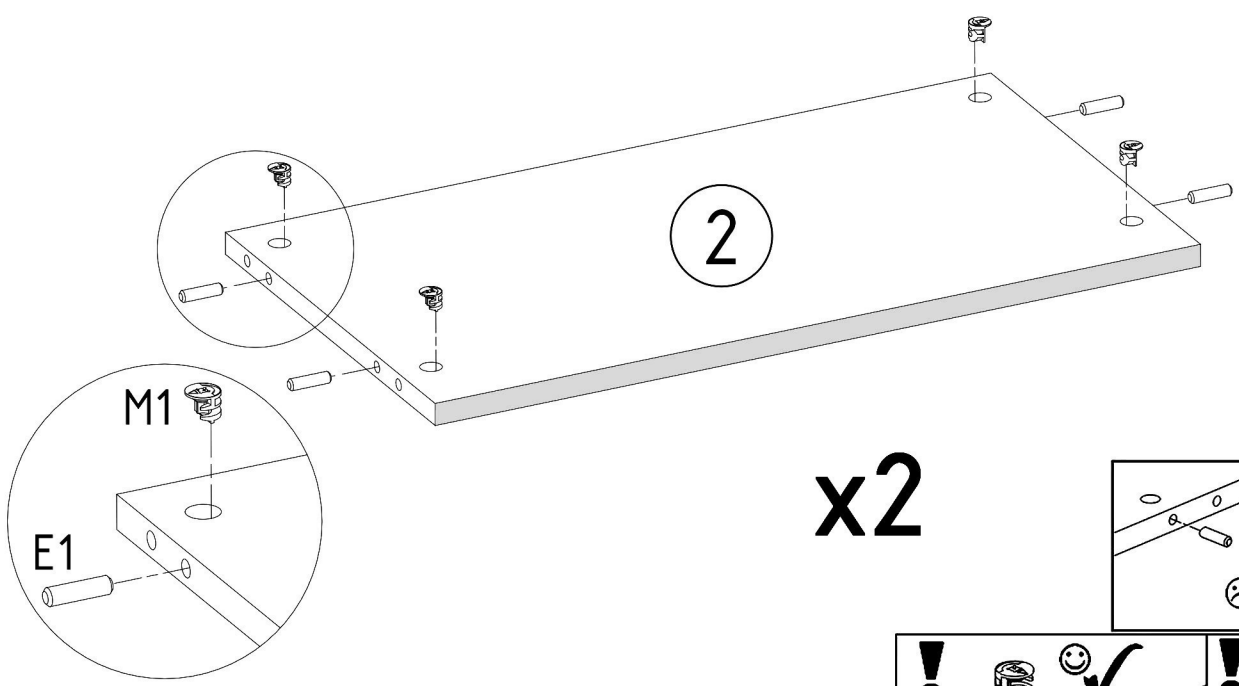



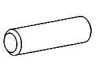


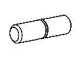
1	x	1
2	x	2
3	x	1
4	x	1
5	x	2
6	x	2

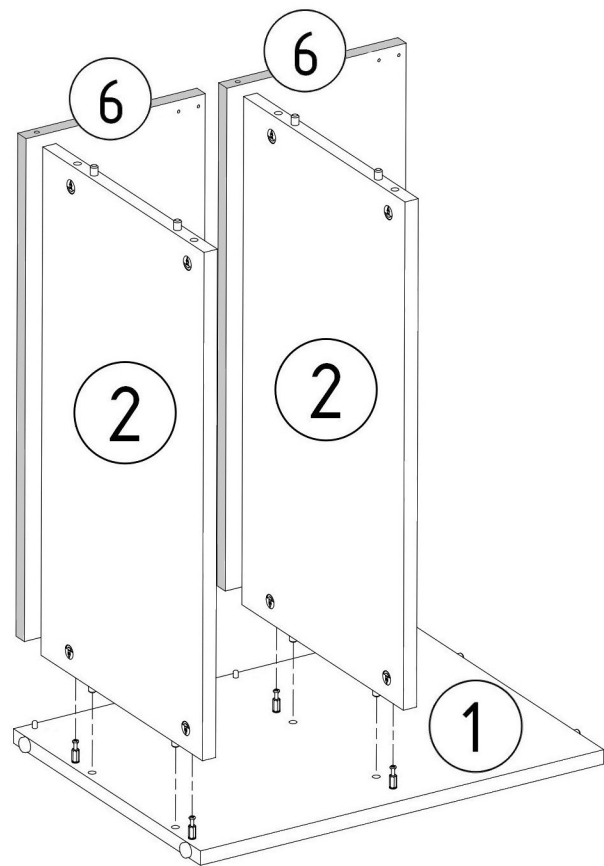
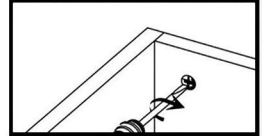
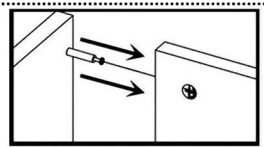
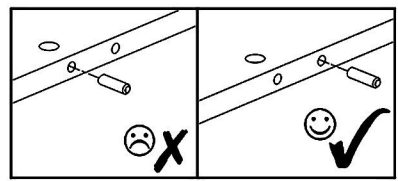
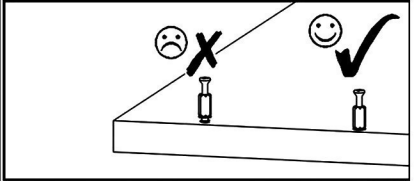
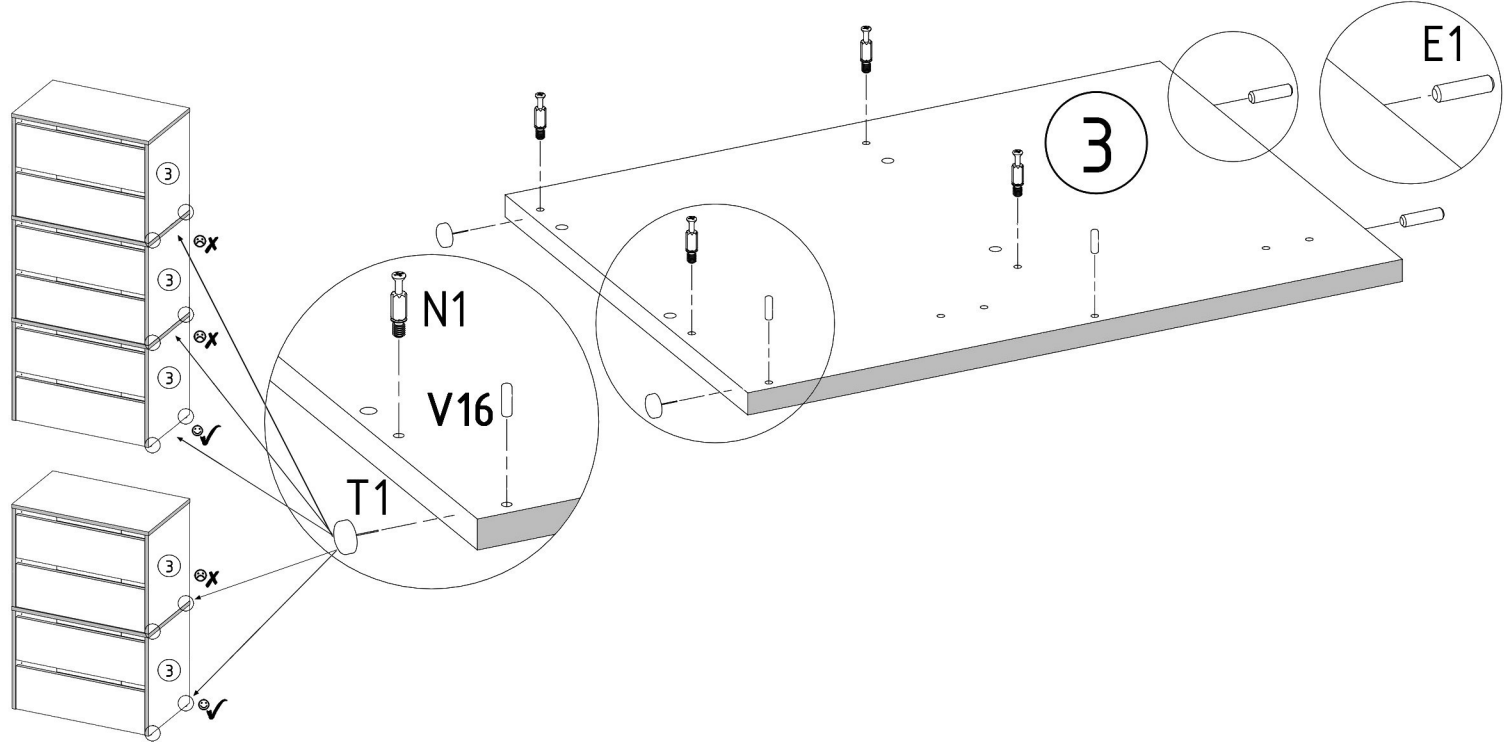
T1 	E1 	N1 	V12 	V16 
x2	x2	x2	x4	x2

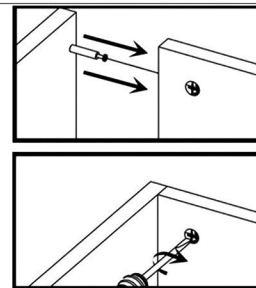
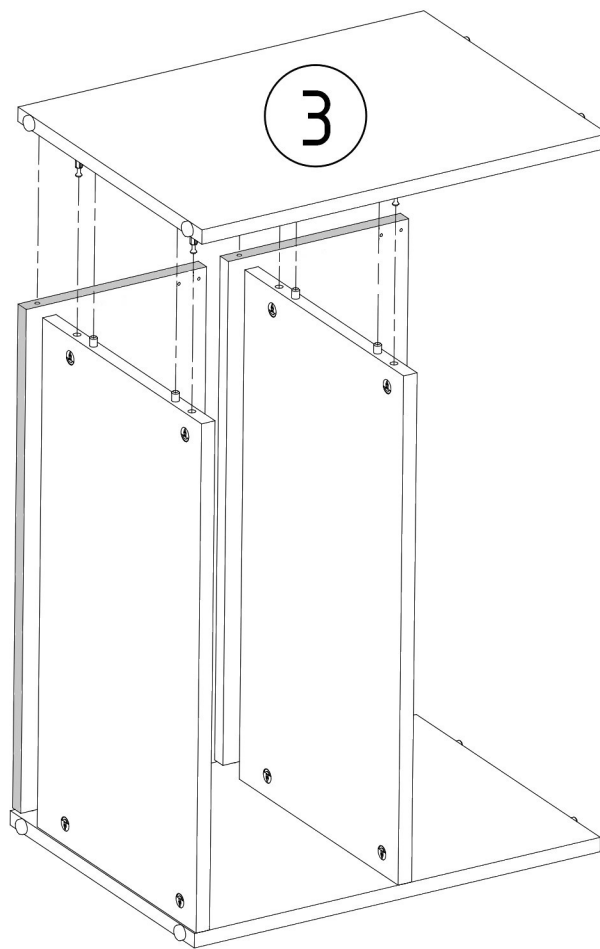


M1 	E1 
x8	x8

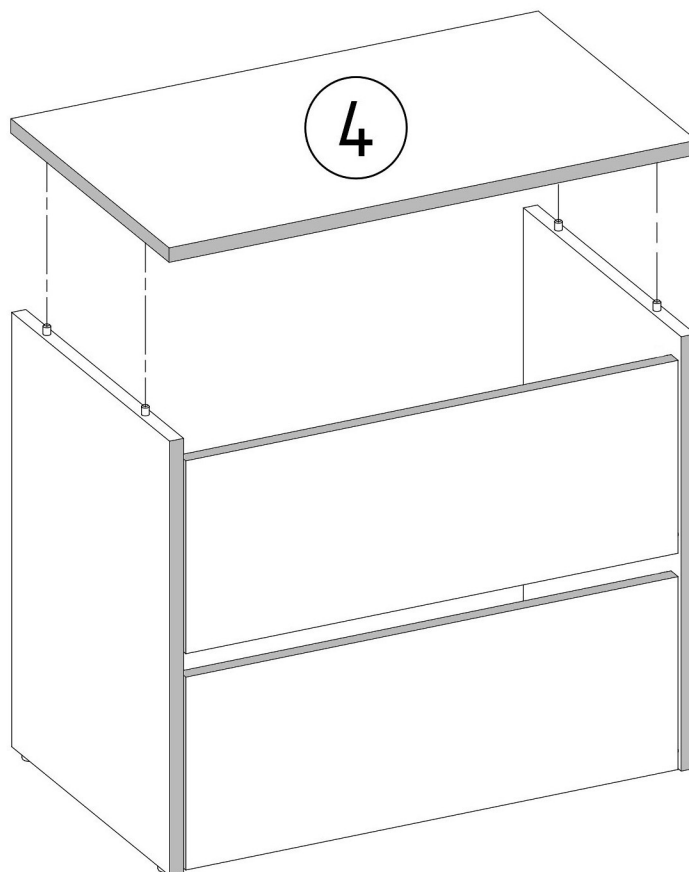


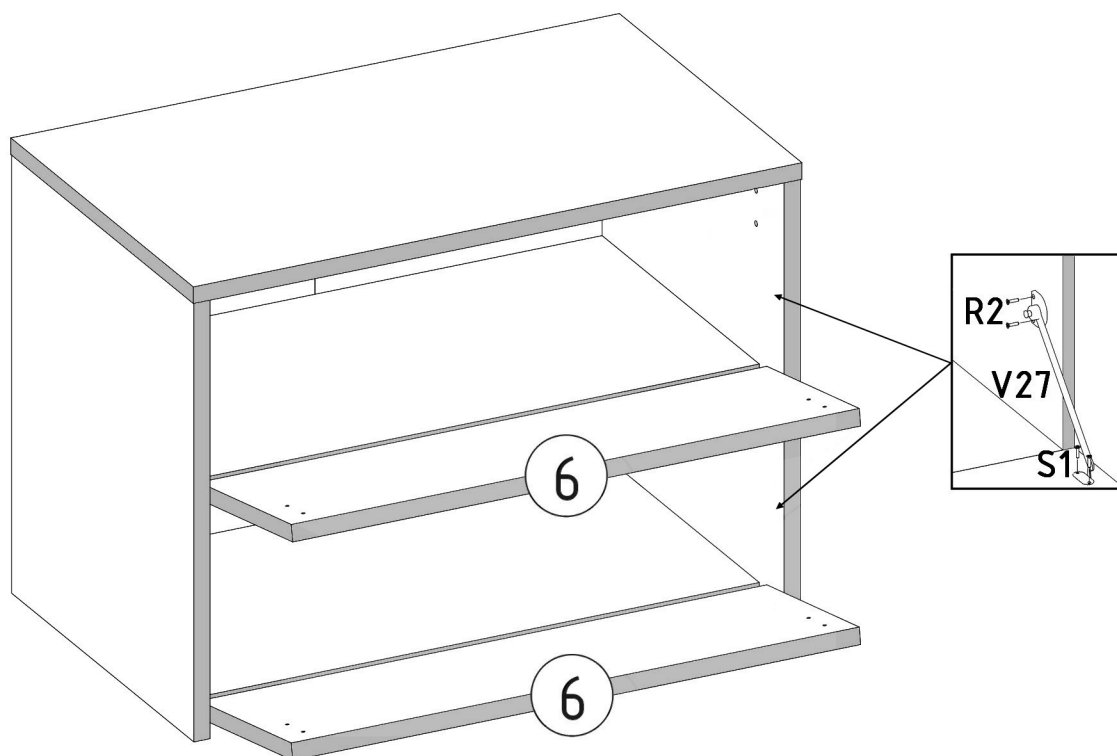
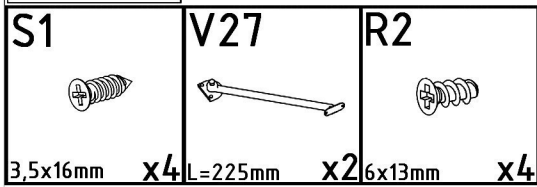
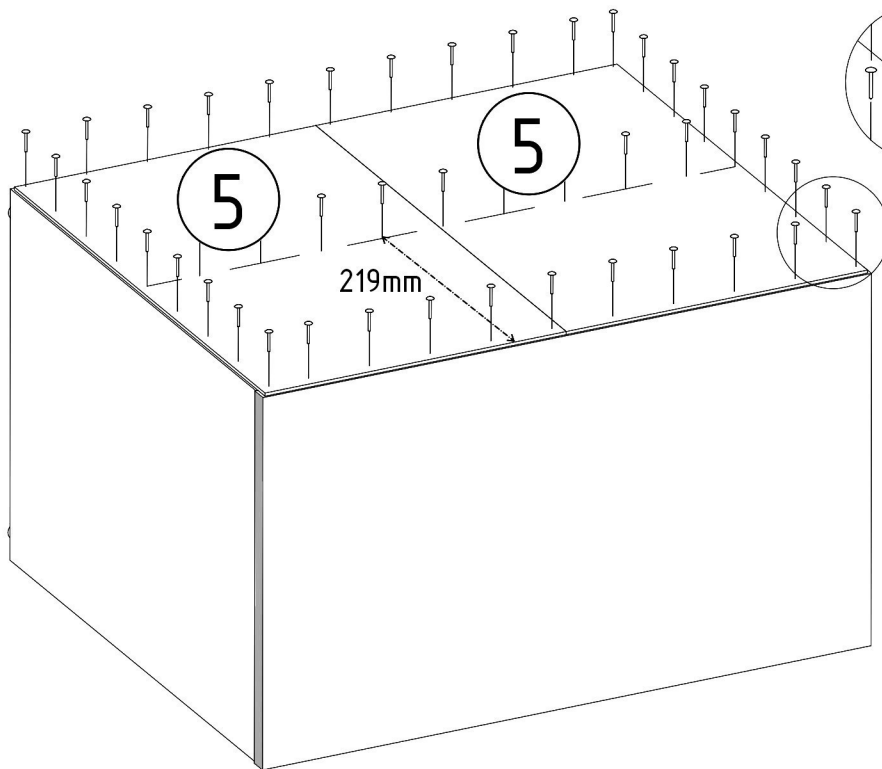
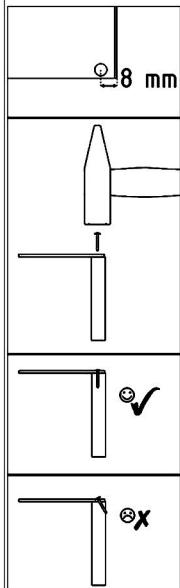
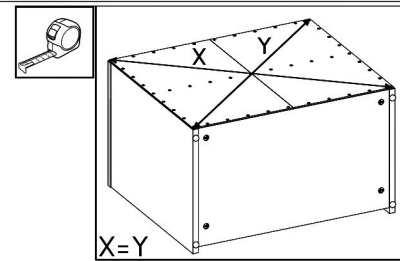
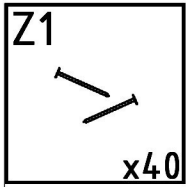
T1 	E1 	N1 	V12 	V16 
x2 8x30mm	x2 L=35mm	x4		x2 5x16mm










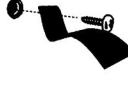



V12





V29  L=112mm x2	V13  x1	S7  4x25mm x8
---	--	---

					
--	---	---	---	---	---

