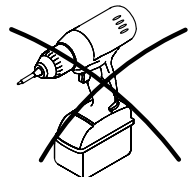
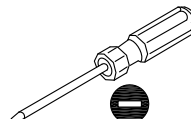
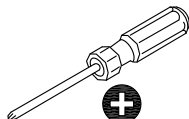
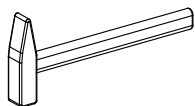
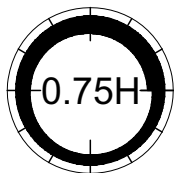
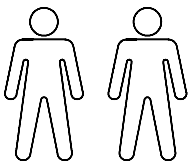
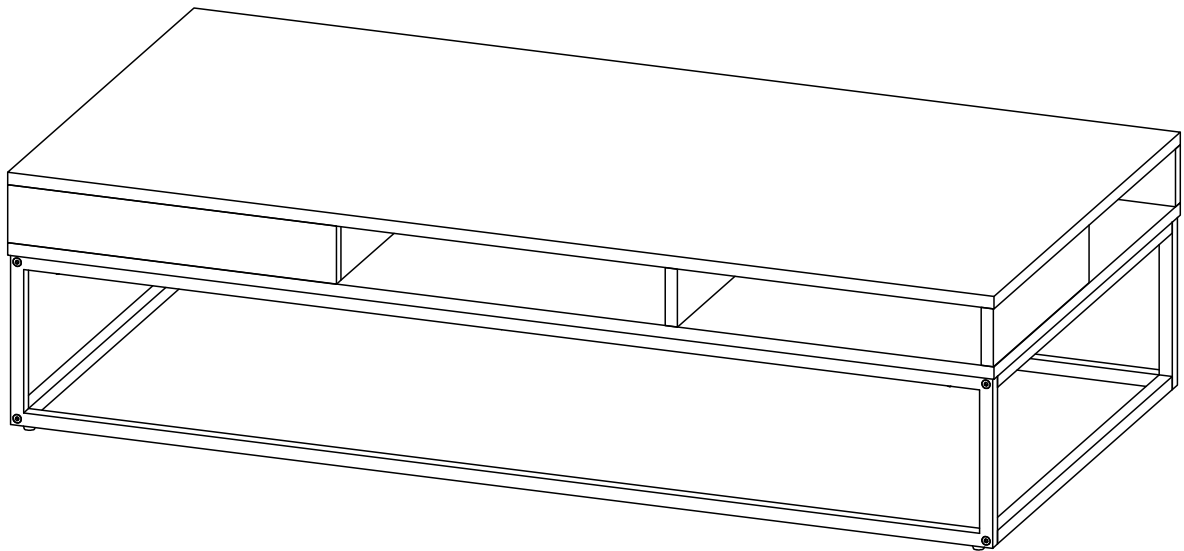
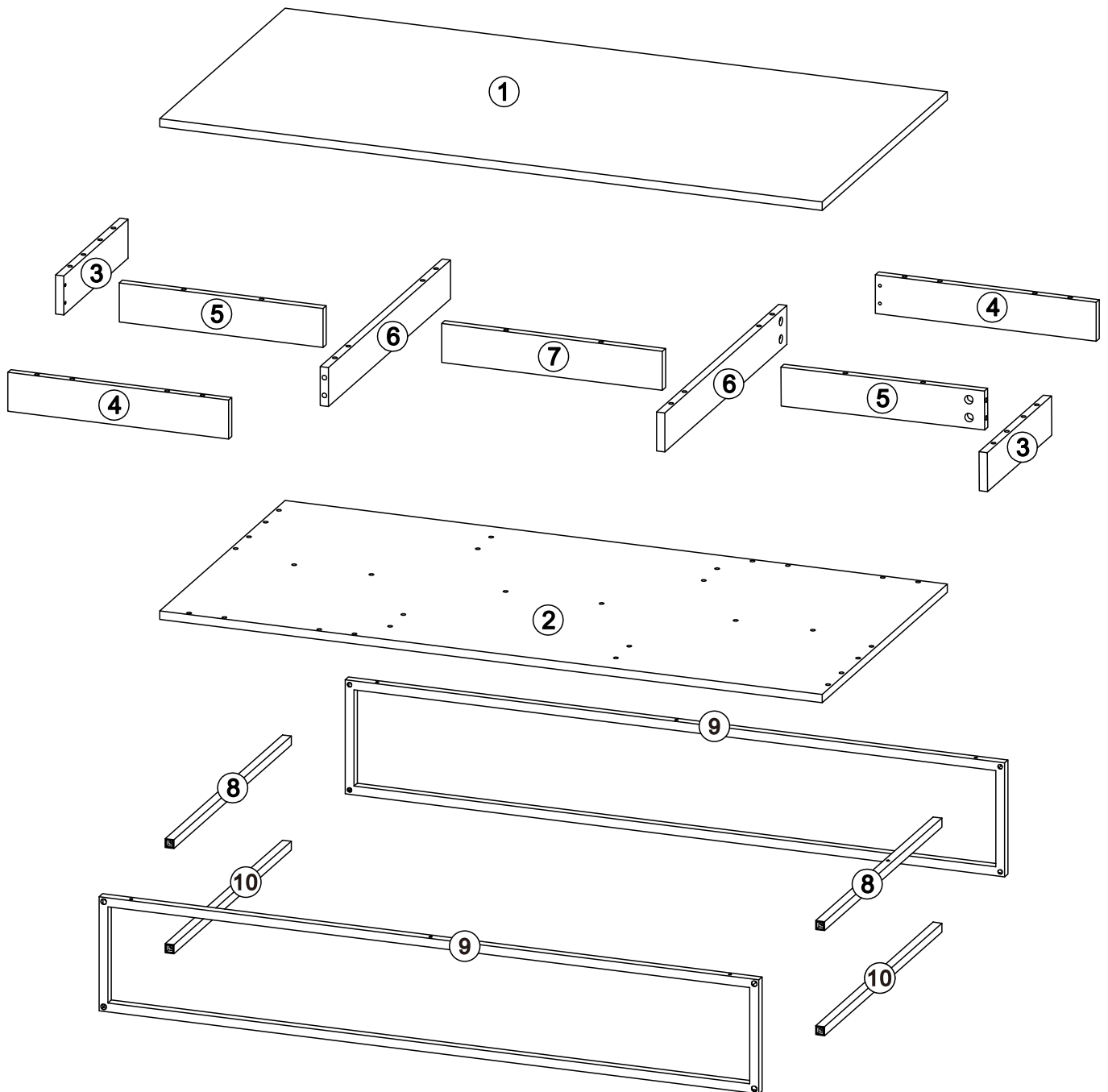


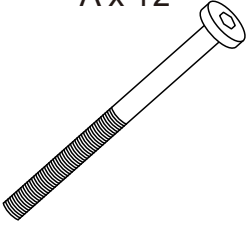


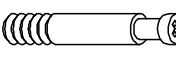


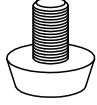

# WILLFORD



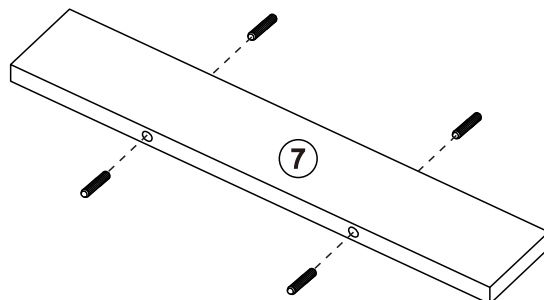
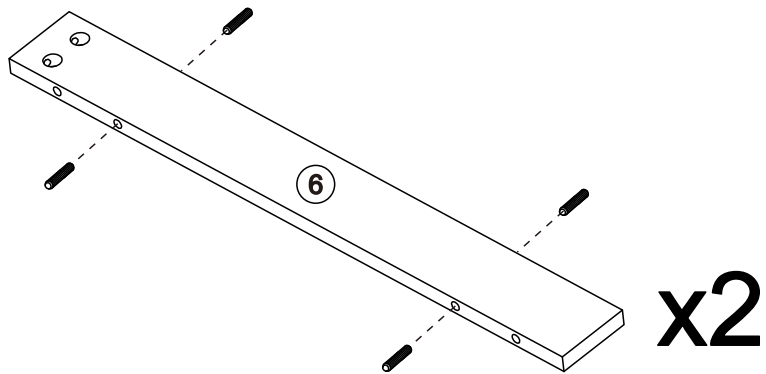
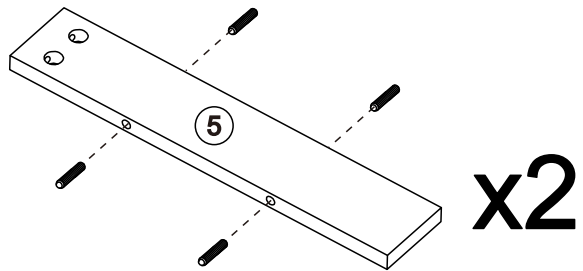
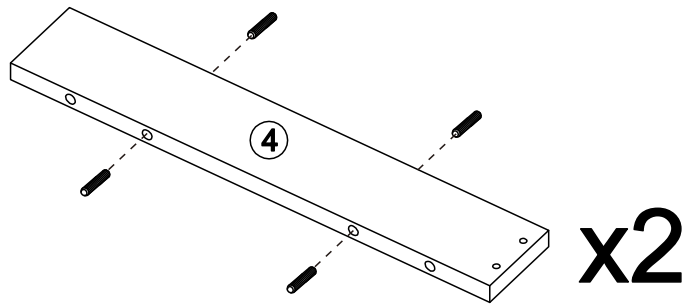
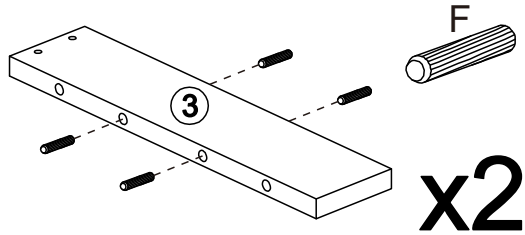
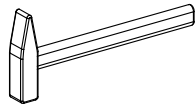
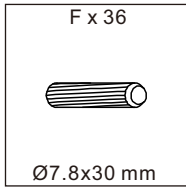
			✓
①	1	1200x600x15mm	
②	1	1200x600x15mm	
③	2	307.5x70x15mm	
④	2	400x70x15mm	
⑤	2	370x70x15mm	

			✓
⑥	2	585x70x15mm	
⑦	1	400x70x15mm	
⑧	2	565x16x16mm	
⑨	2	1195x295x16mm	
⑩	2	565x16x16mm	

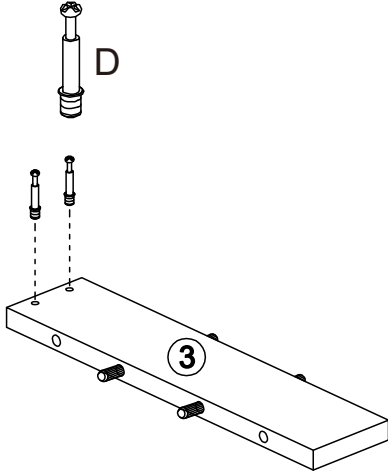
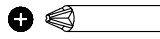
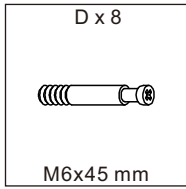


<p>A x 12</p>  <p>M6x90 mm</p>	<p>B x 8</p>  <p>M6x15 mm</p>	<p>C x 8</p>  <p>M4x27 mm</p>	<p>D x 8</p>  <p>M6x45 mm</p>	<p>E x 8</p>  <p>Ø15 mm</p>
<p>F x 36</p>  <p>Ø7.8x30 mm</p>	<p>G x 4</p>  <p>Ø13 mm</p>	<p>H x 1</p>  <p>4mm</p>		

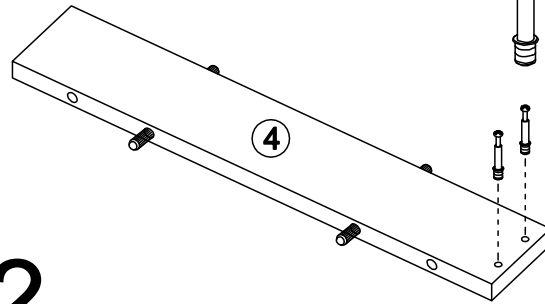
1



# 2

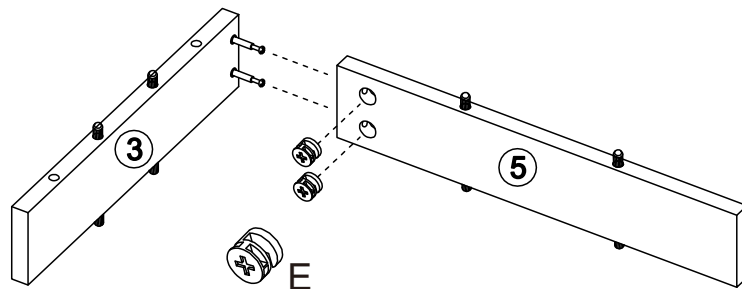
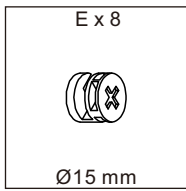


x2

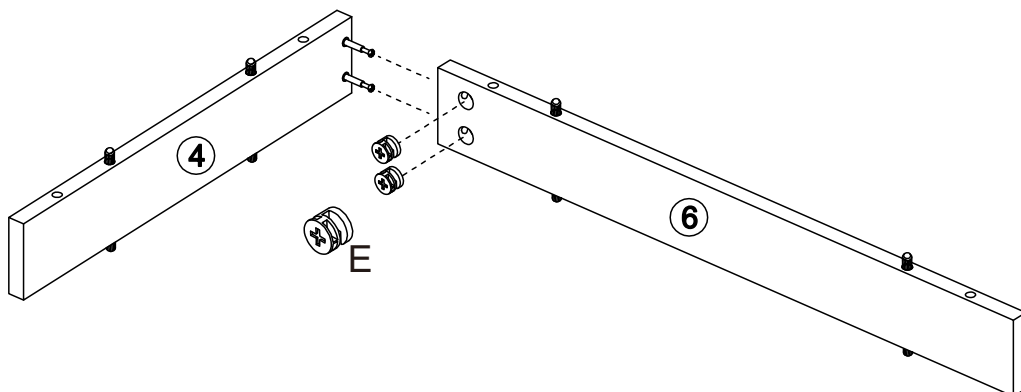


x2

# 3

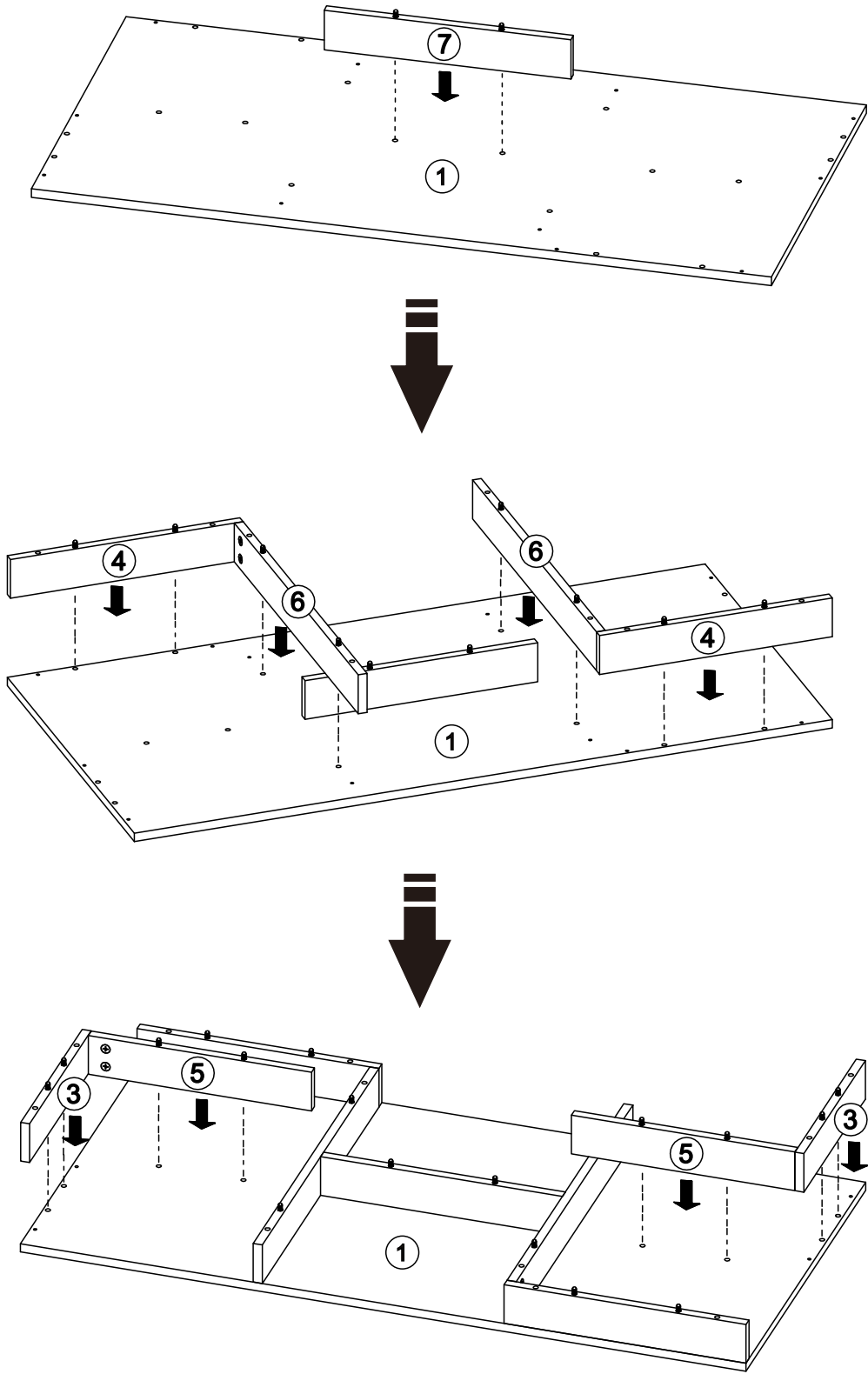


x2

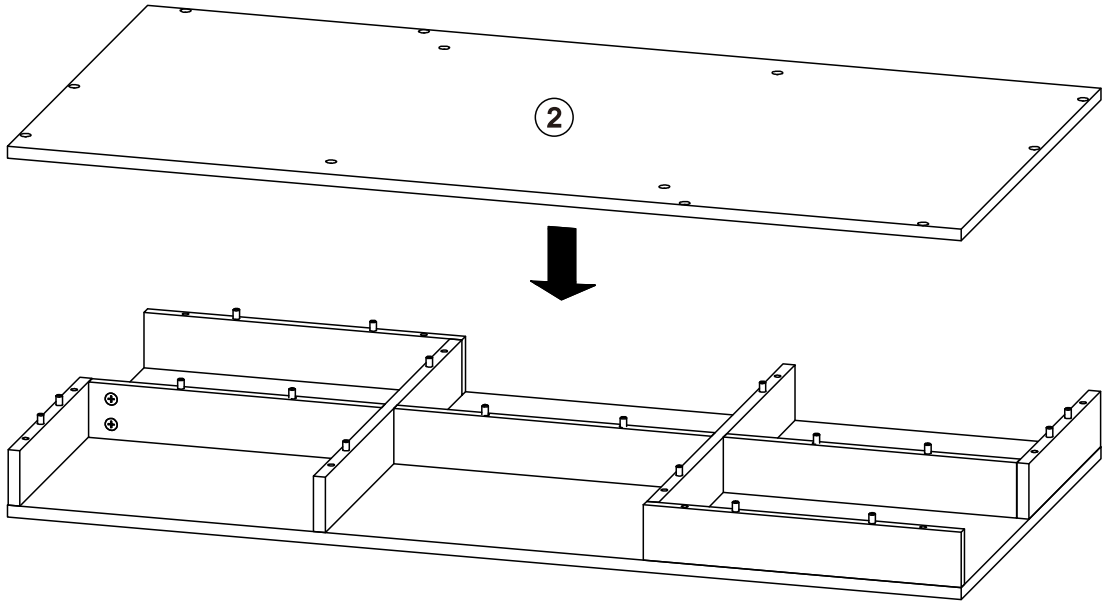


x2

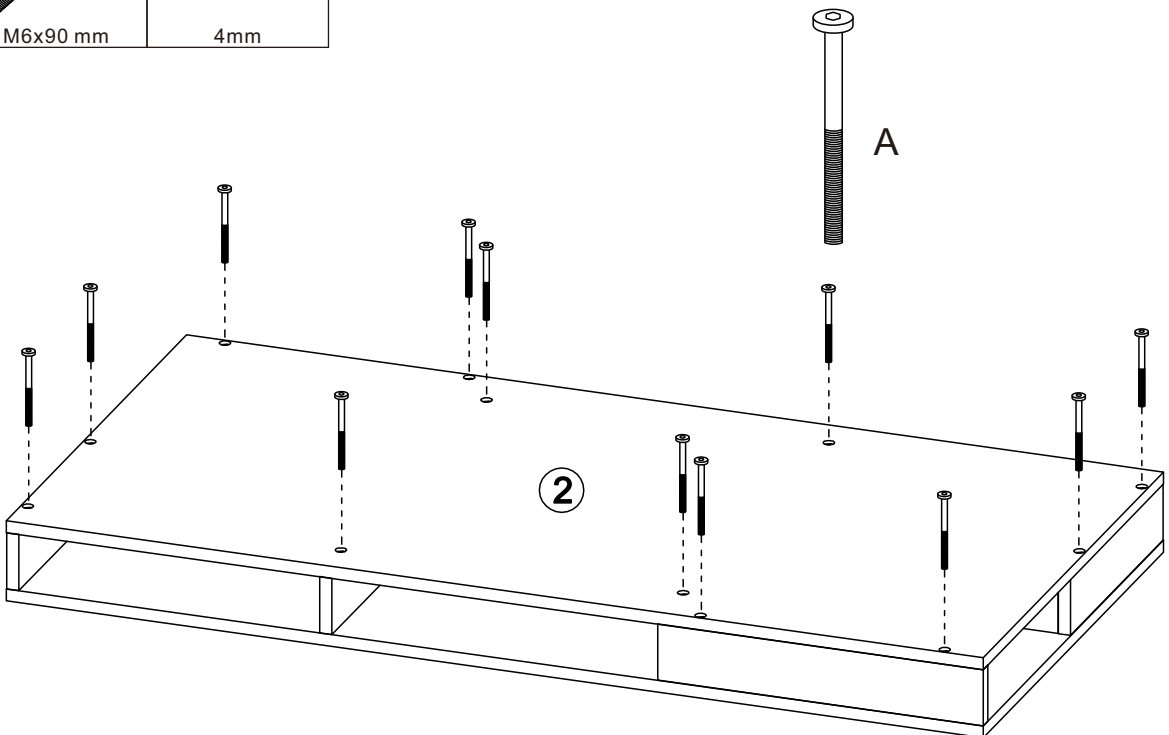
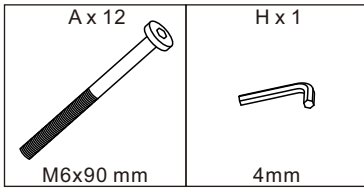
4





# 5

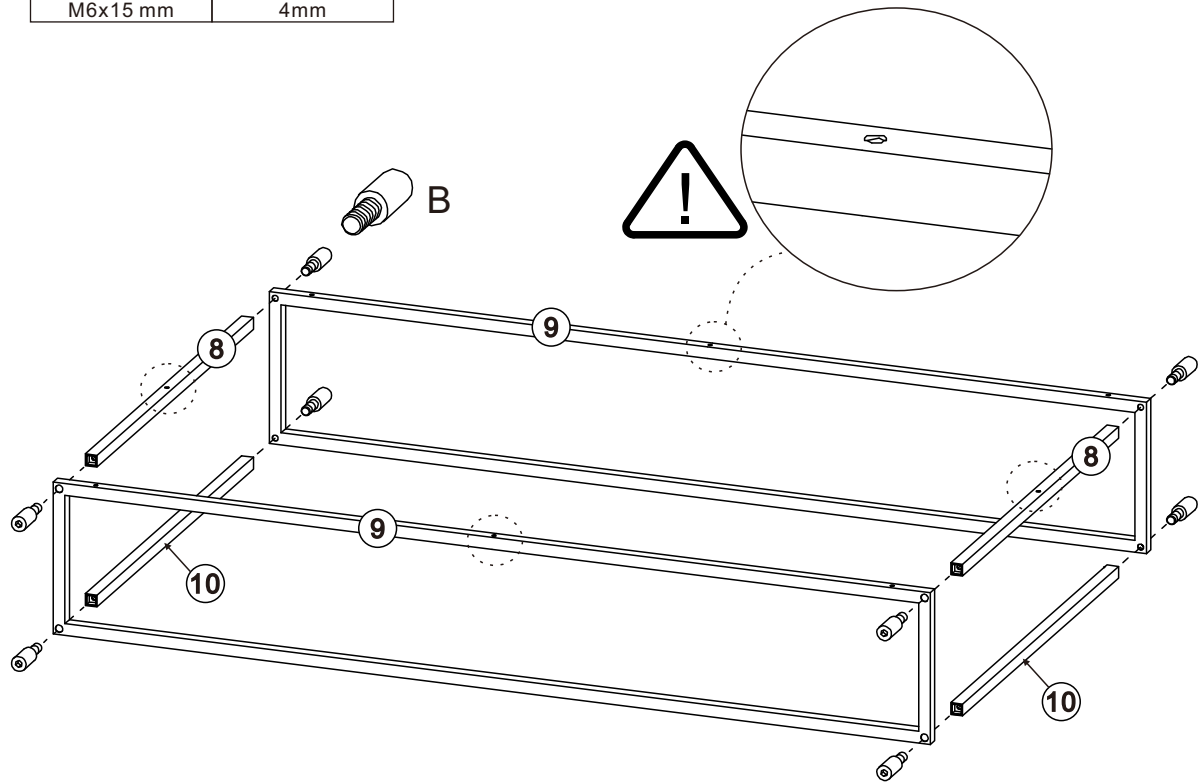


# 6





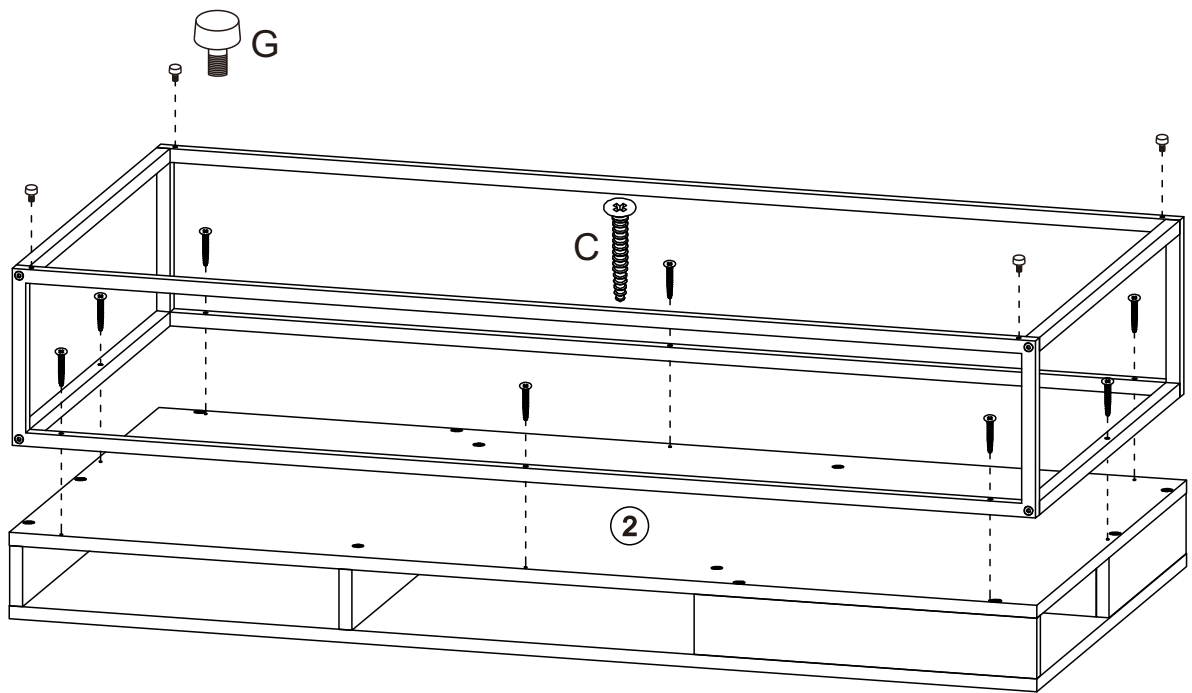
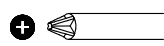
# 7

B x 8  M6x15 mm	H x 1  4mm
--	---



# 8

C x 8  M4x27 mm	G x 4  Ø13 mm
--	--





9

