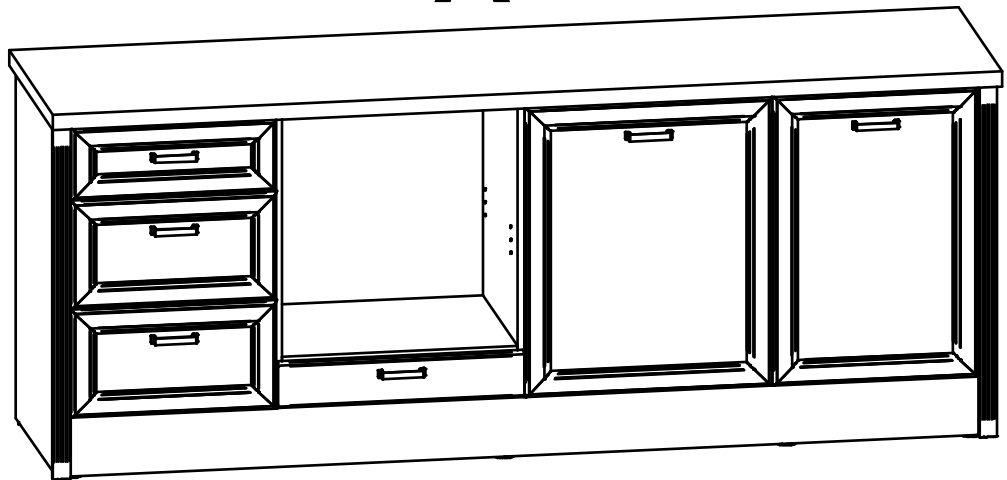
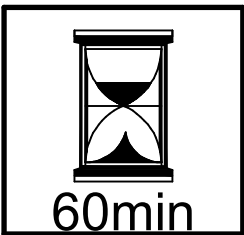
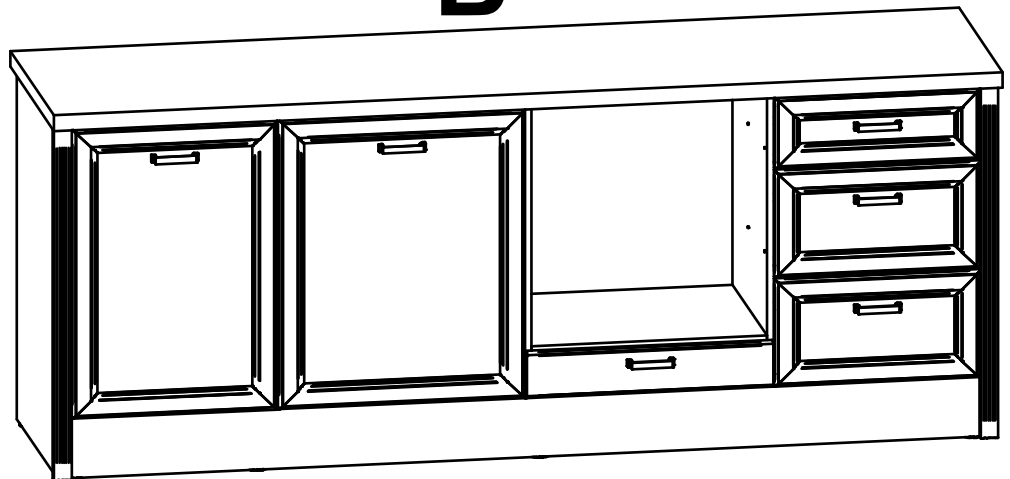


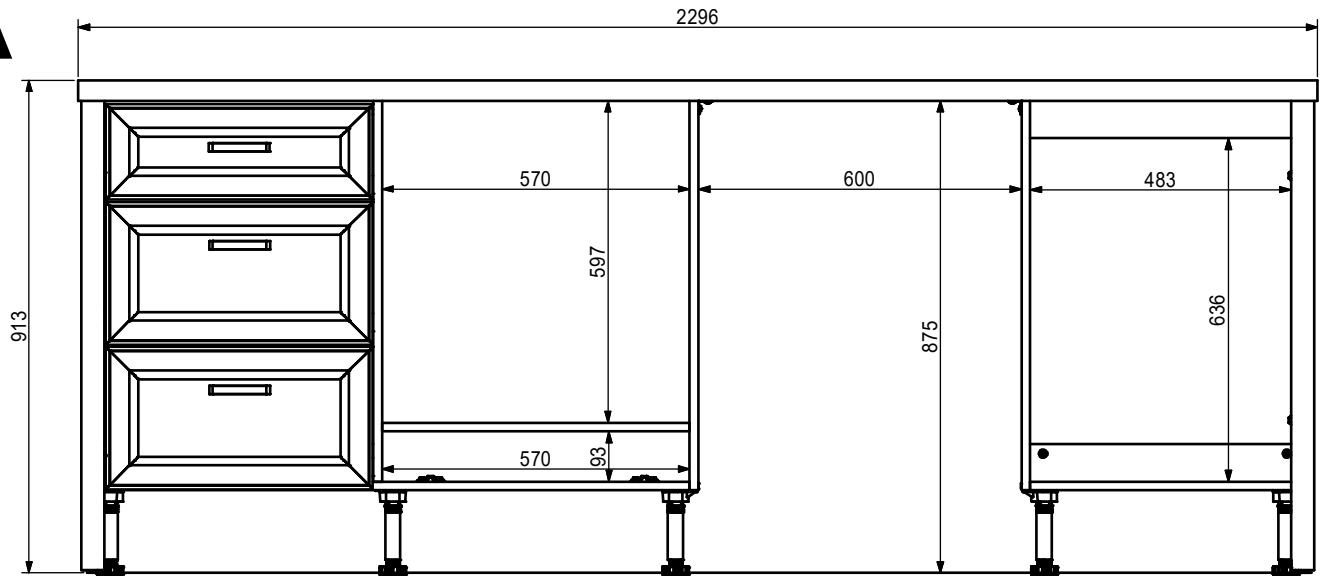
A



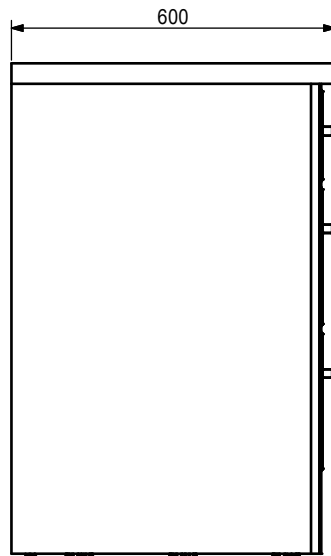
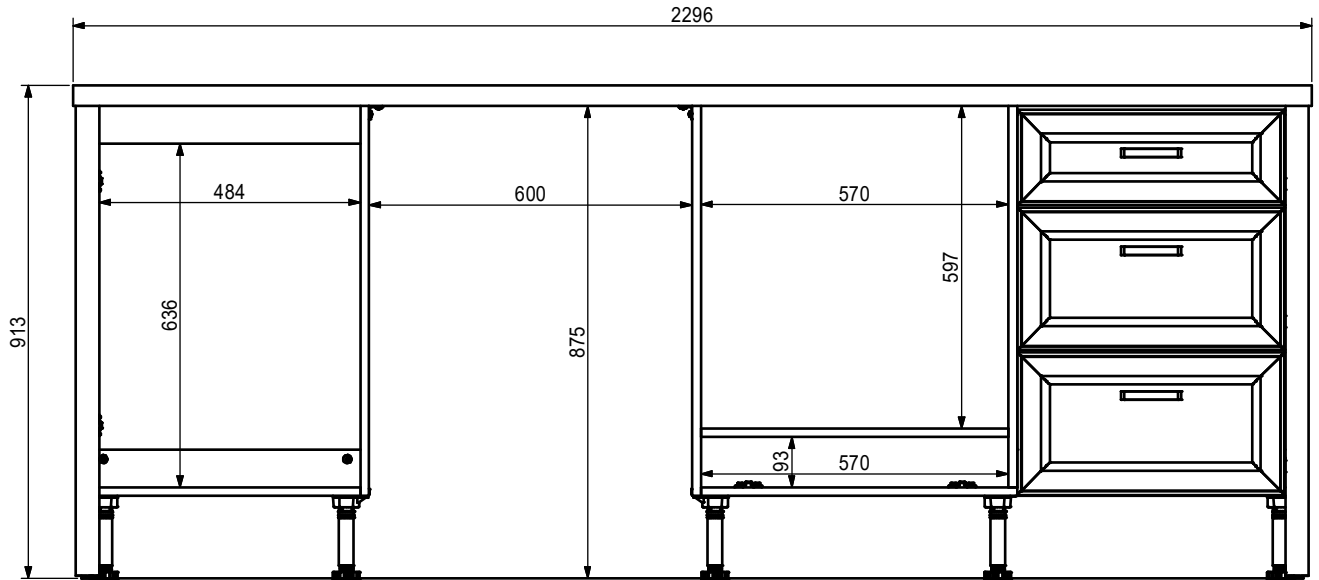
B



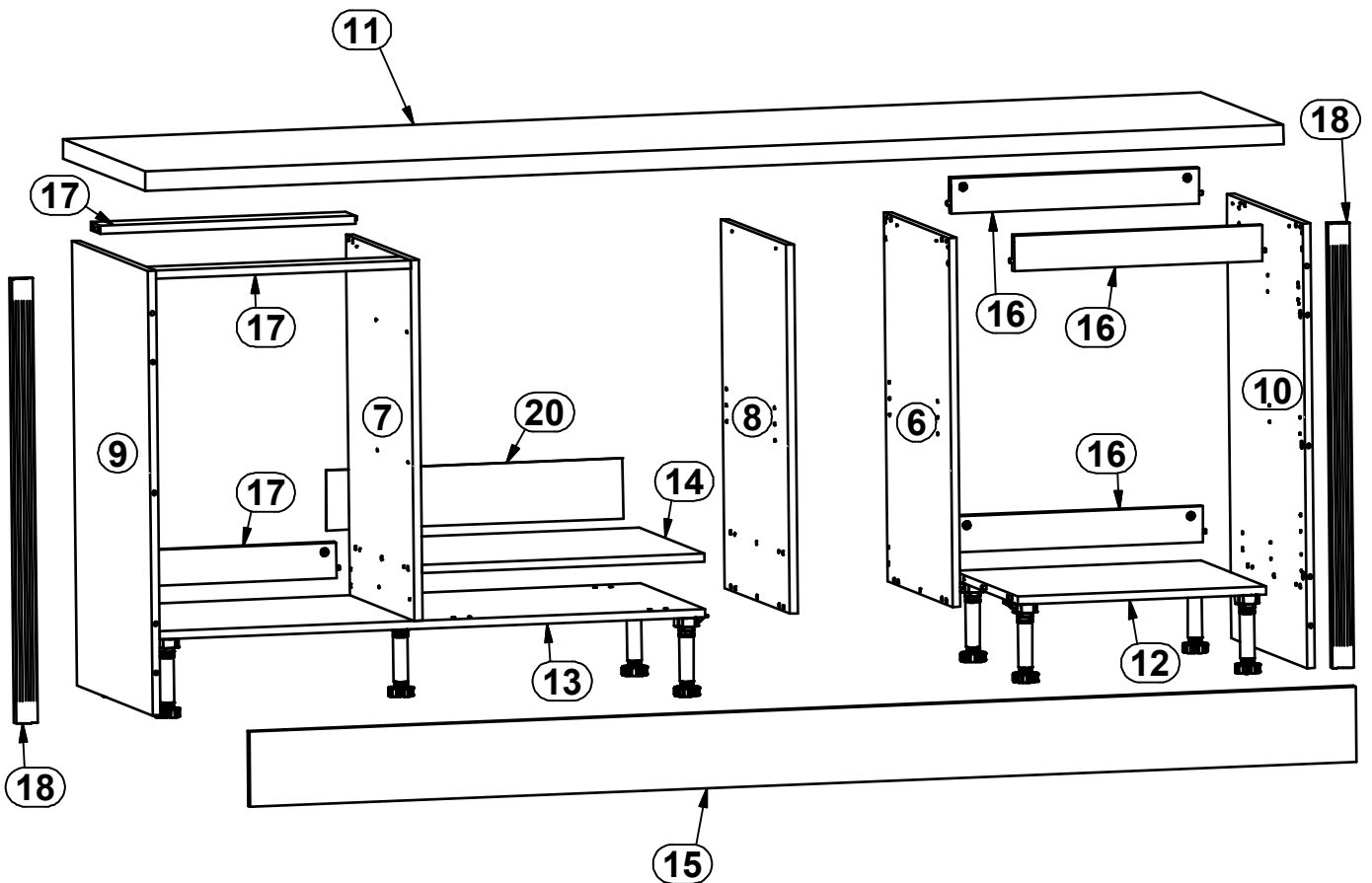
A

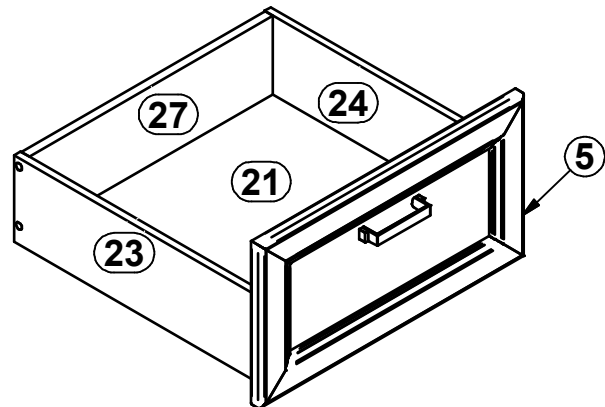
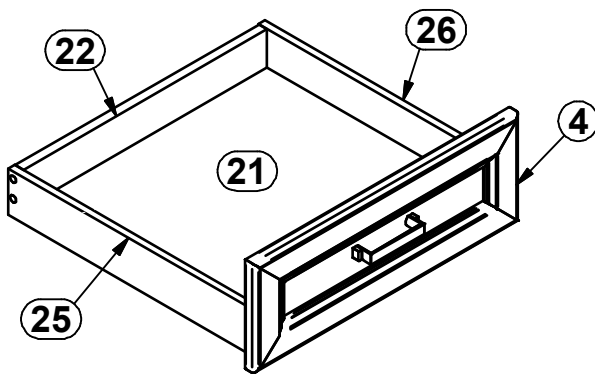
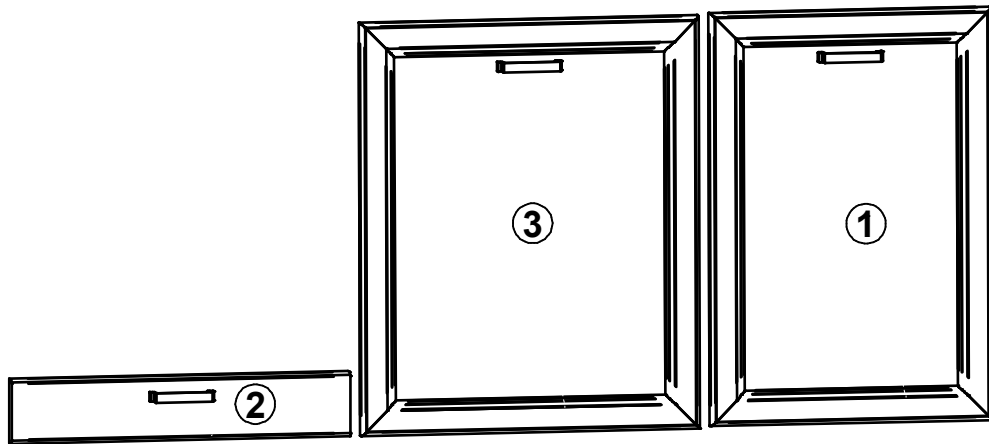


B



A	B	C1	C2	C3	D
1	S538-0015	713	495	22	113
2	S538-0008	596	112	22	113
3	S538-0003	713	595	22	113
4	S538-0013	495	177	22	113
5	S538-0014	495	264	22	113
6	S538-1003	722	475	16	213
7	S538-1019	706	475	16	213
8	S538-1020	722	475	16	213
9	S538-1021	870	555	16	113
10	S538-1022	870	555	16	113
11	S538-2009	2296	600	38	313
12	S538-3022	500	475	16	213
13	S538-3023	1100	475	16	213
14	S538-3024	570	475	16	313
15	S538-4009	2231	147	16	313
16	S538-4010	500	70	16	213
17	S538-4012	514	70	16	213
18	S538-5001	870	43	19	113
19	S538-9004	720	528	2,5	313
20	S538-9005	598	118	2,5	113
21	WSP-9416	466	458	2,5	213
22	ZQ6-5276	456	62	15	213
23	ZQ6-535	450	140	12	213
24	ZQ6-536	450	140	12	213
25	ZQ6-539	450	75	12	213
26	ZQ6-540	450	75	12	213
27	ZQ6-5277	456	127	15	213



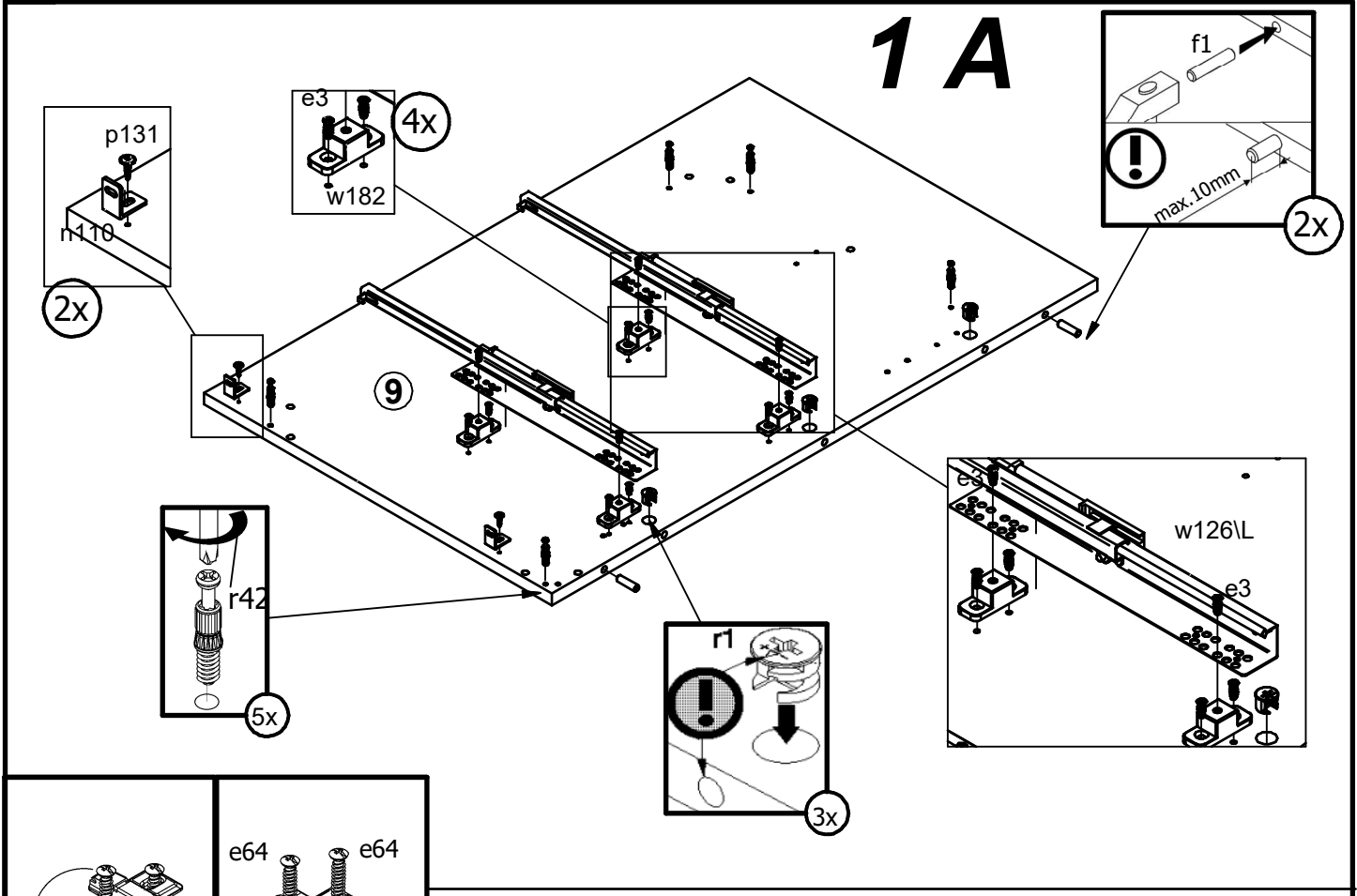


2x  a204	2x  a203	
26x  Ø15x12 mm #16 r1	12x  Ø12x10,5 mm #12 r15	38x  20/11 r42
8x  Ø3,5x15 mm p51	26x  Ø2,9x16 mm p55	36x  Ø4x16 mm p69
4x  k1	10x  25x25x16/2 n110	8x  Ø4x13 mm p28
12x  Ø6,5x40 mm f25	2x  M4x28 mm j11	10x  M4x12 mm j3
4x  Ø6x26 mm e64	20x  Ø4x16 mm p131	37x  Ø8x30 mm f1
6x  c453	24x  Ø6x13 mm e3	6x  Ø7x50 mm e1
1x  z1	4x  b90	2x  h=11 mm b95

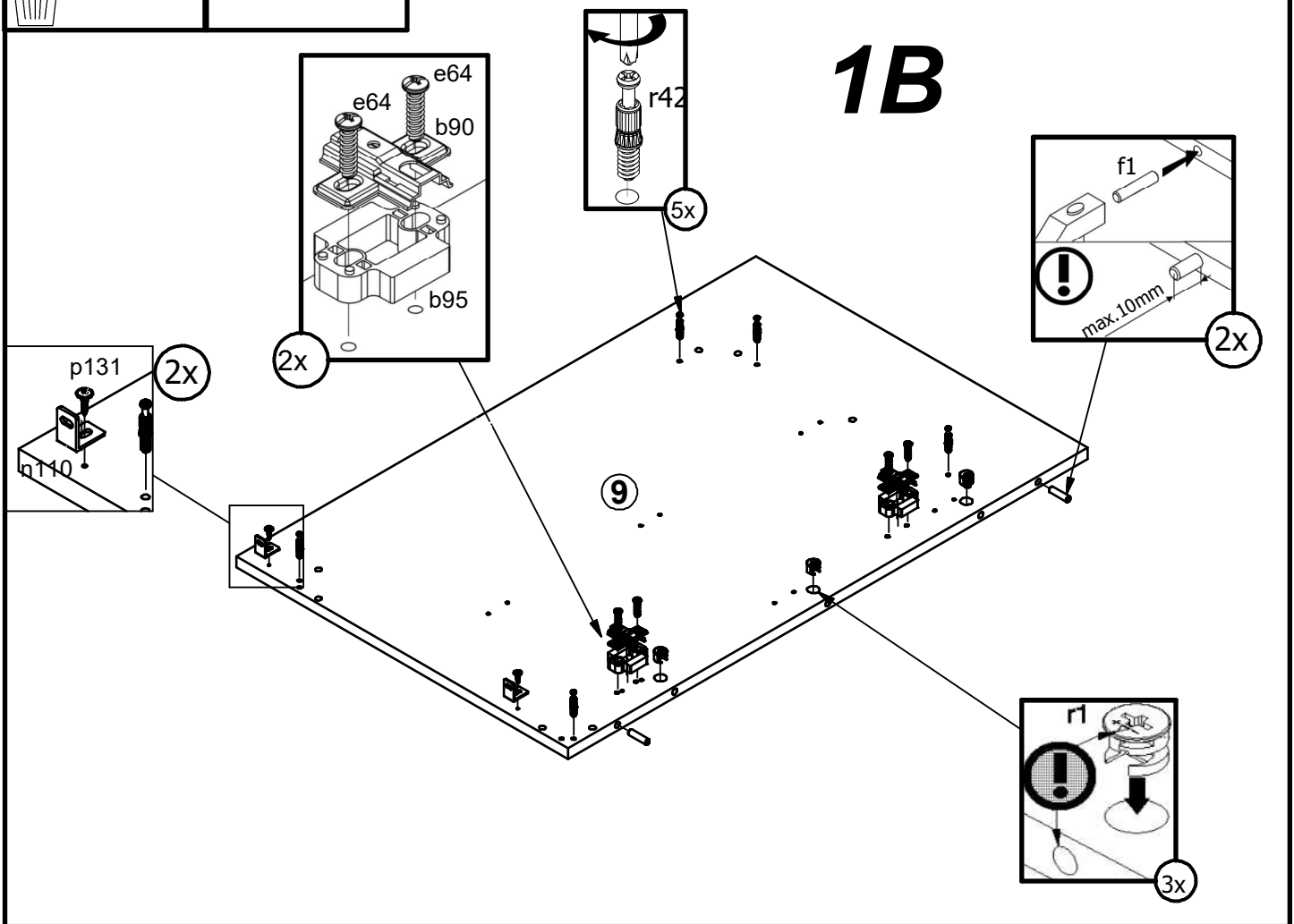
3x  450mm w126L	3x  450mm w126P	6x  w182	4x  Ø35x62x40x10 s71
9x  k6611	9x  k6616	9x  k6615	4x  k6618



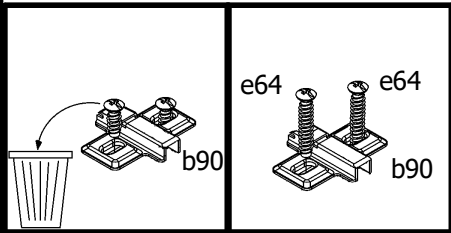
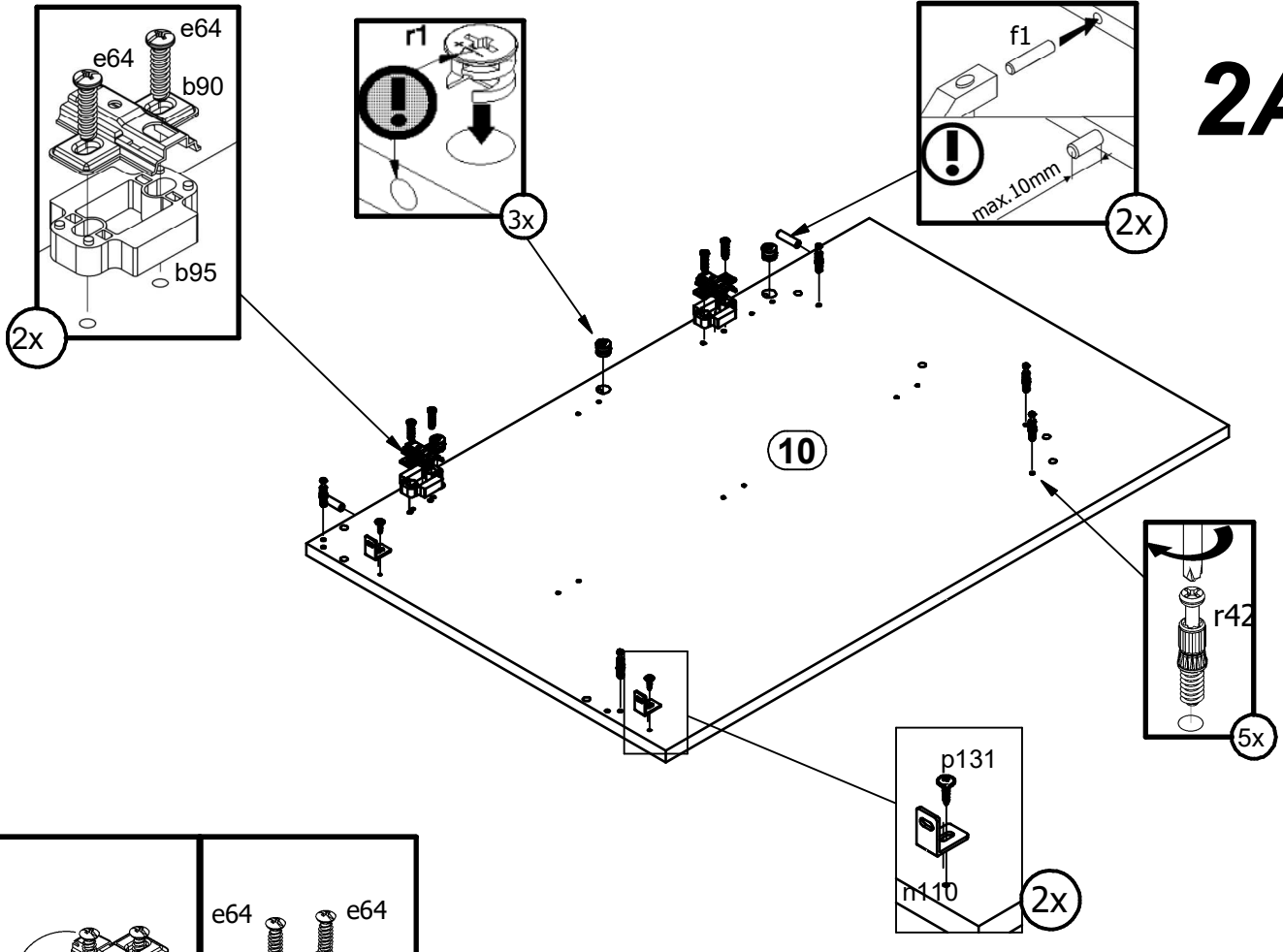
# 1 A



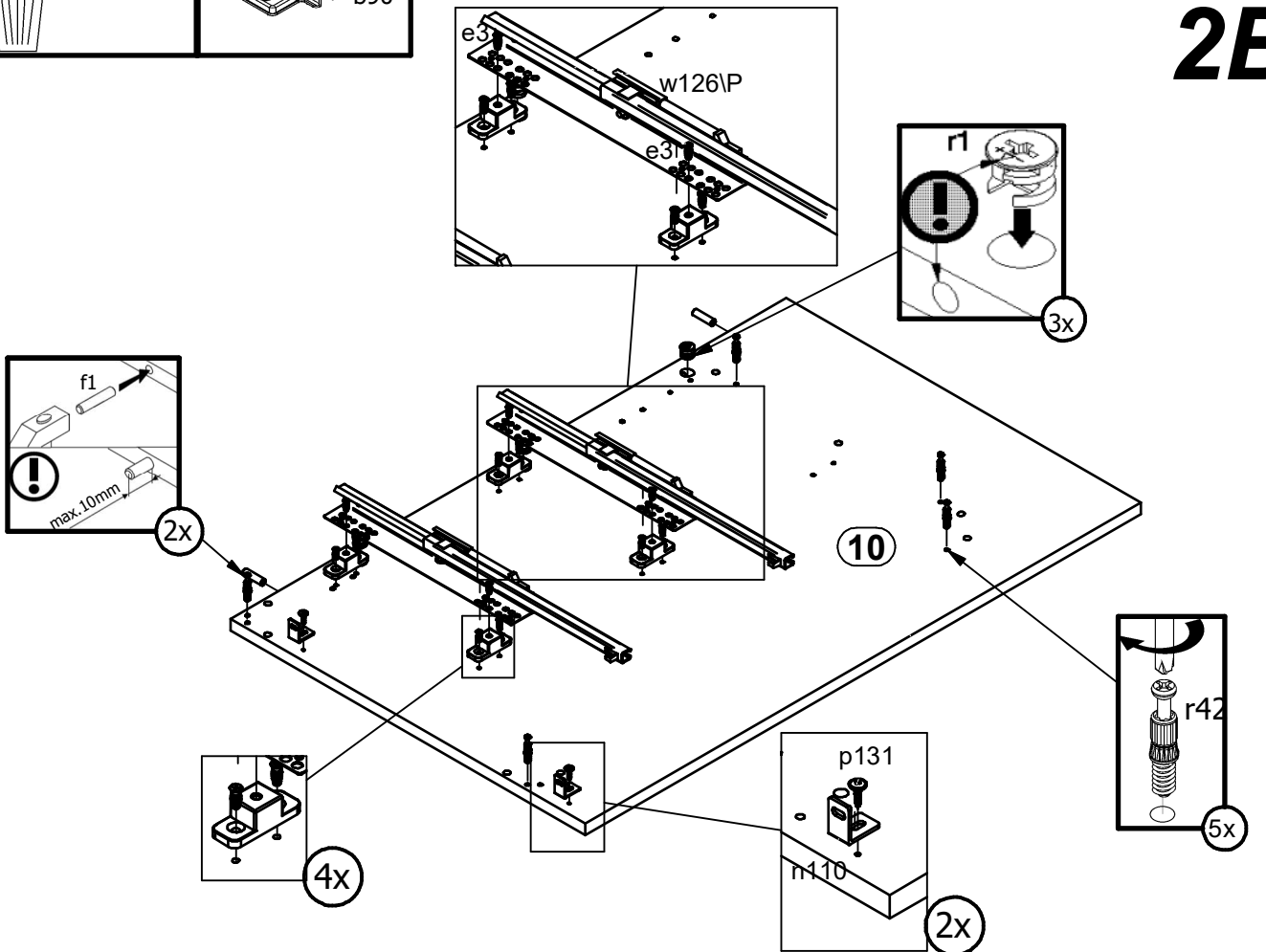
# 1 B



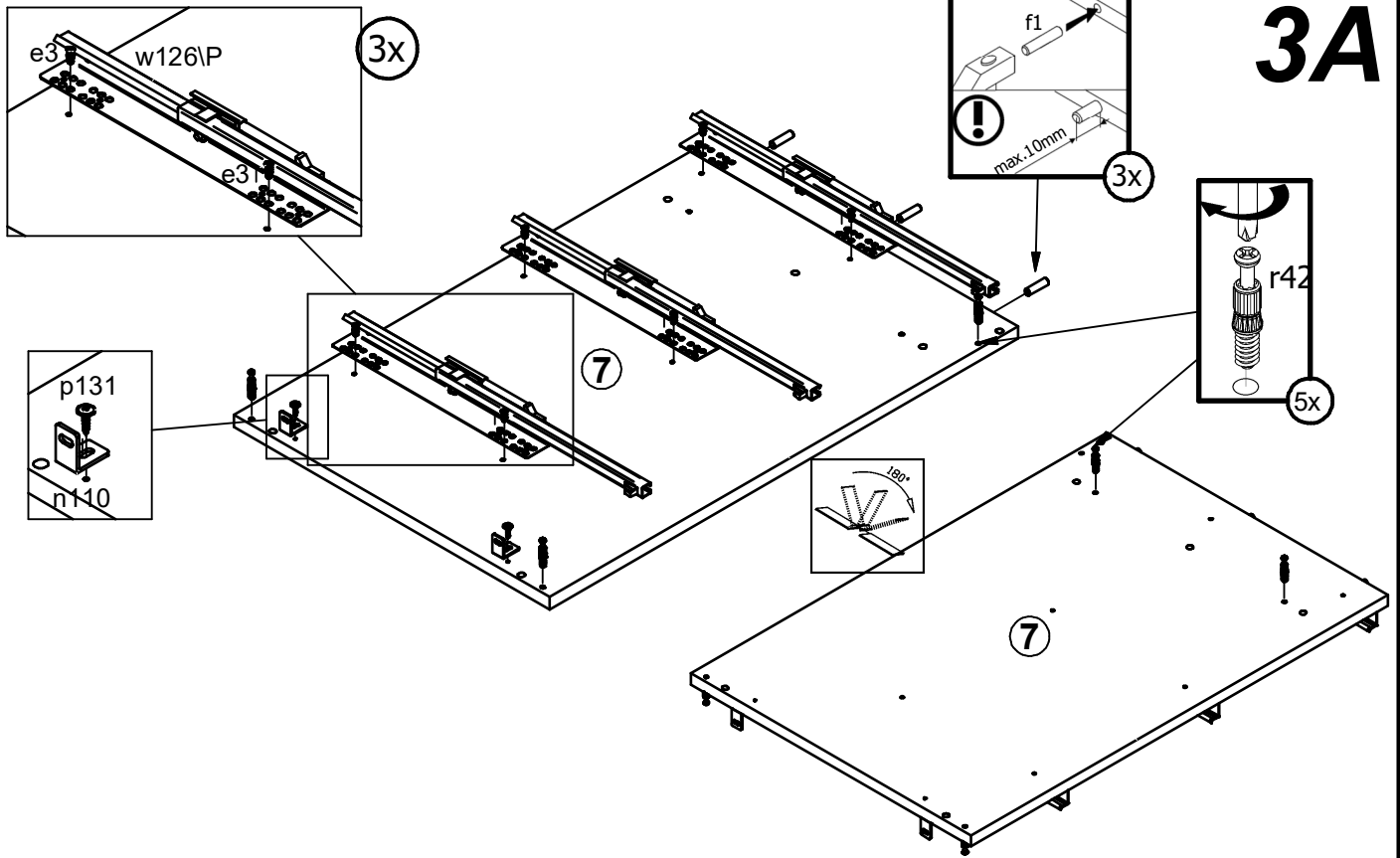
2A



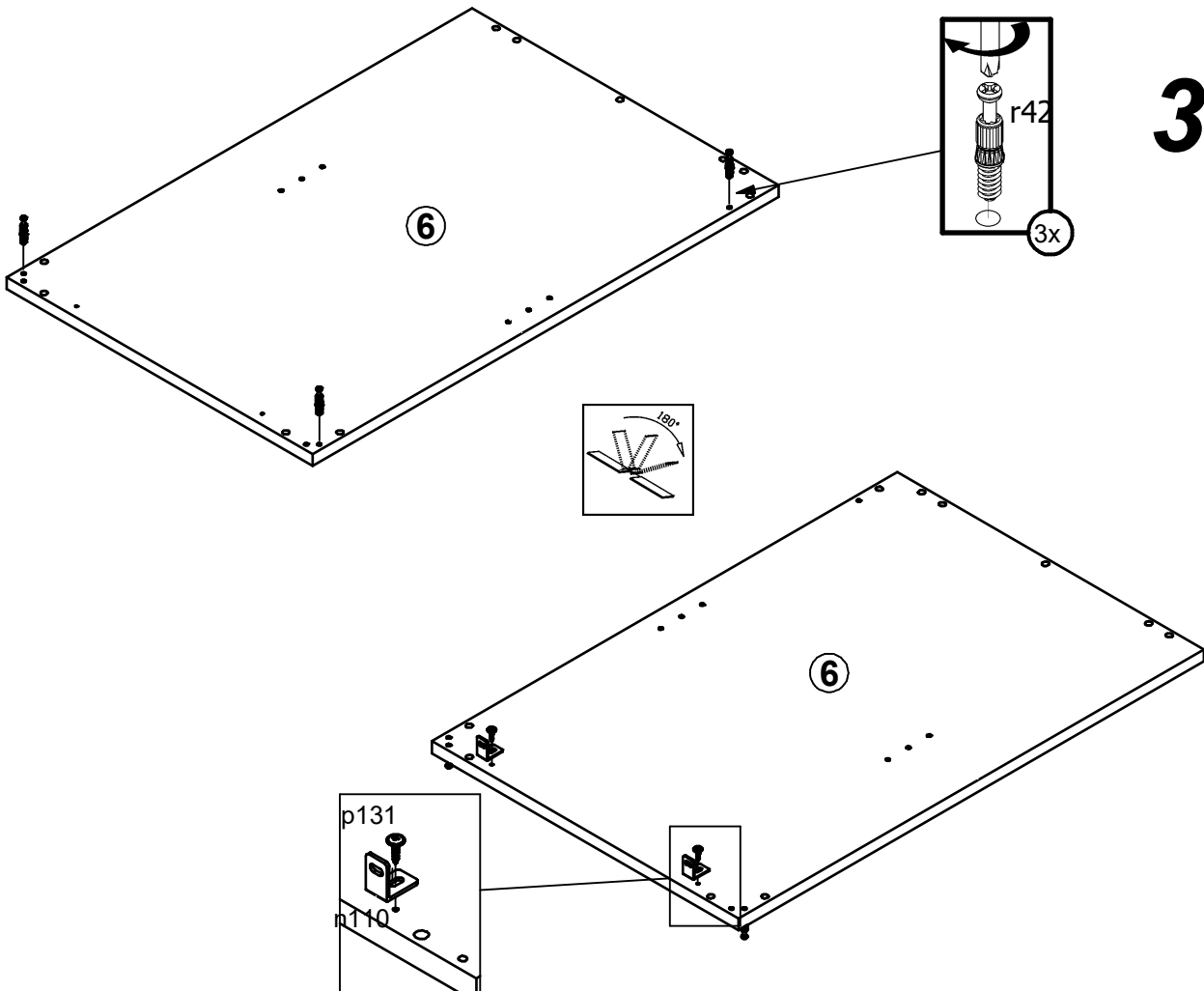
2B



# 3A



# 3B



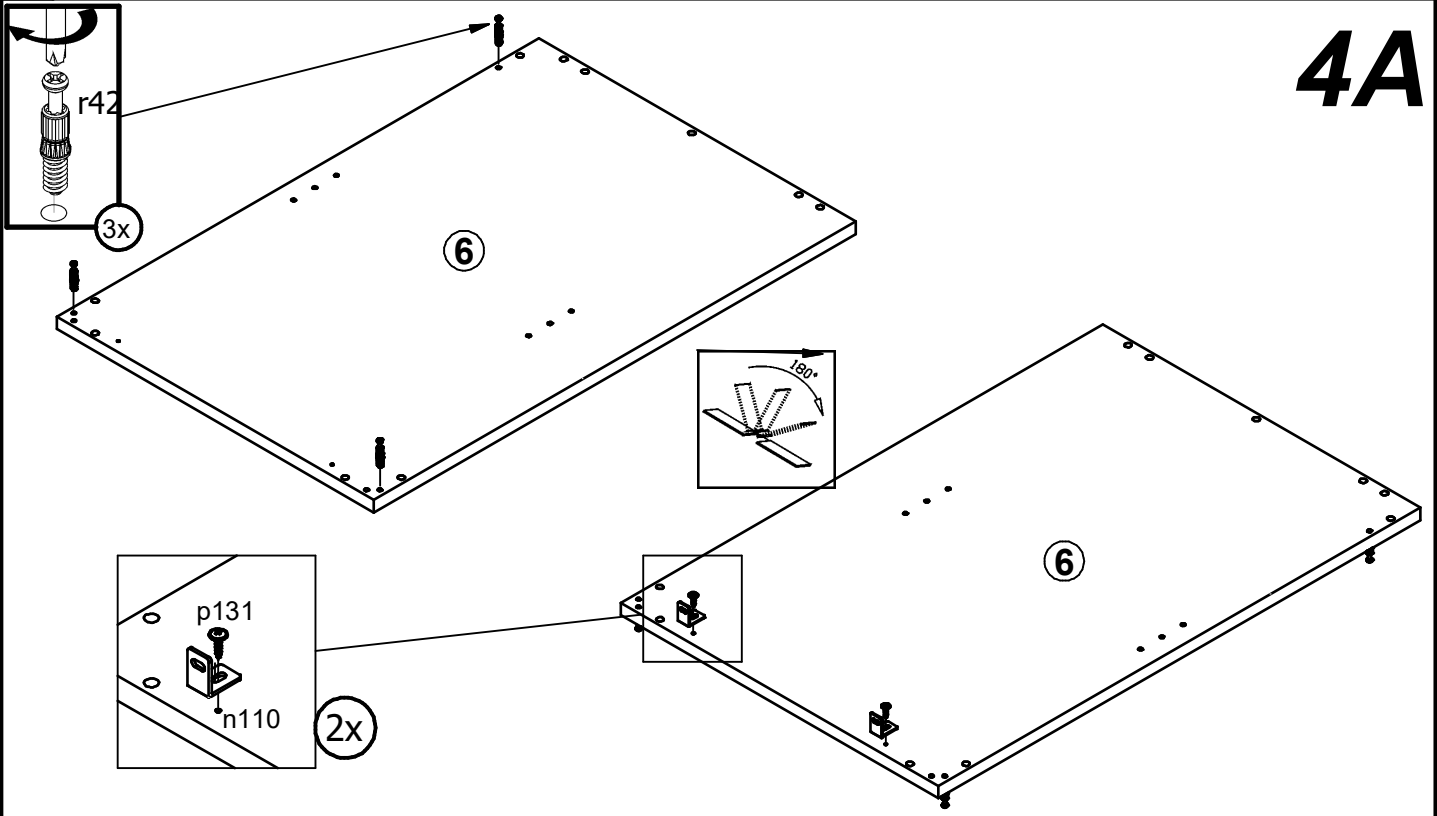
A

S538-SFK2D3S\_I

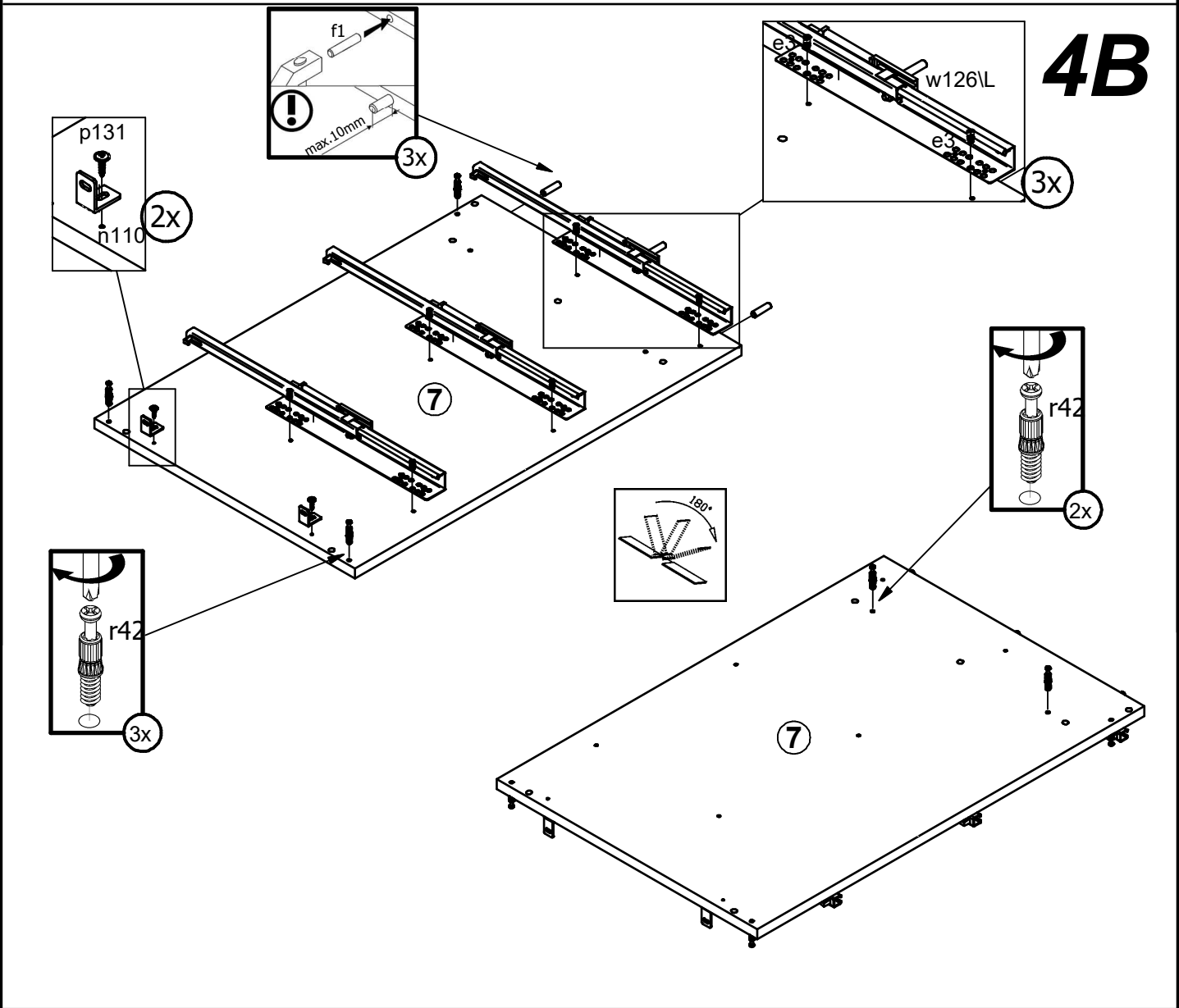
84-881---, 84-882---

8 / 28

4A



4B





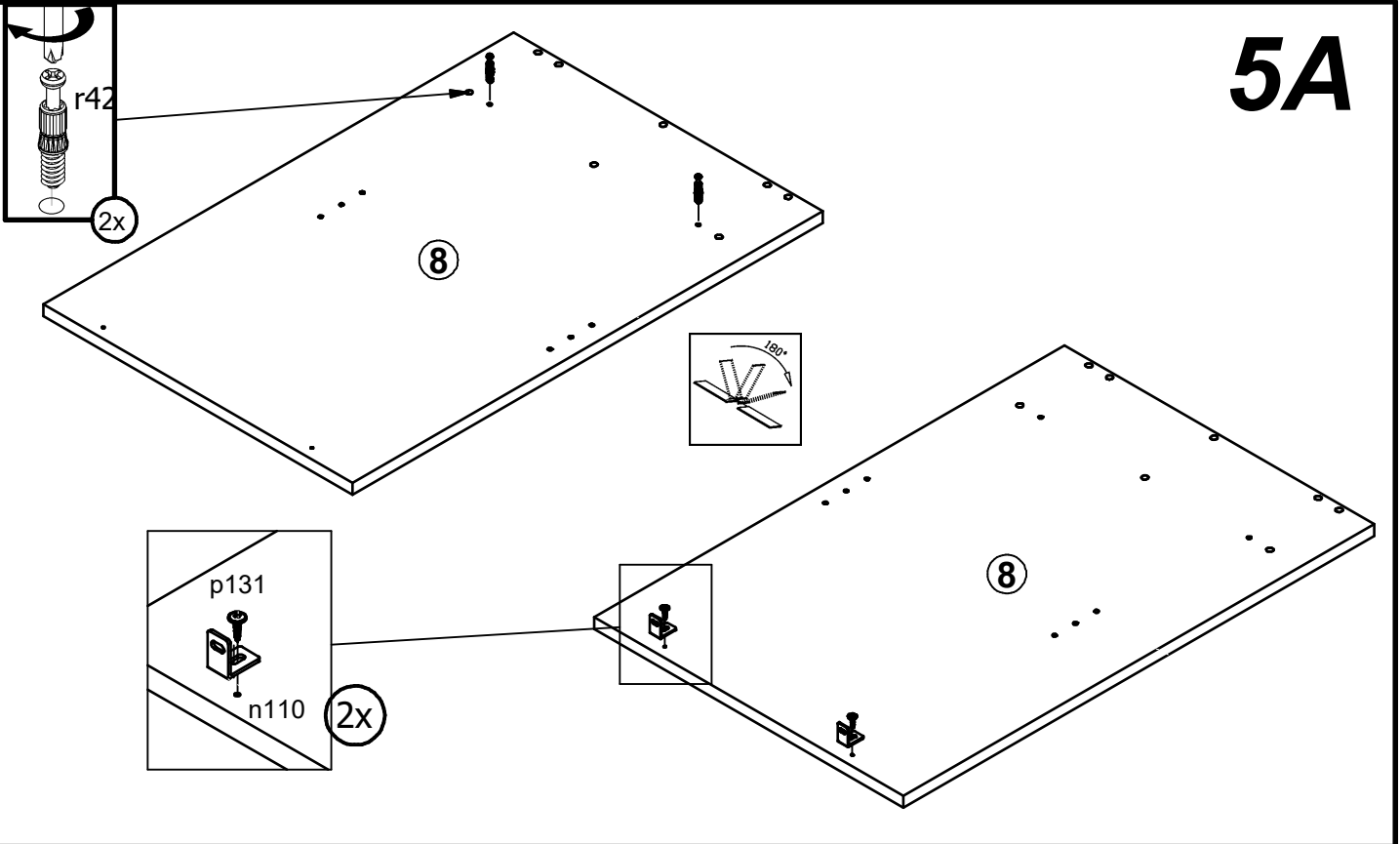
A

S538-SFK2D3S\_I

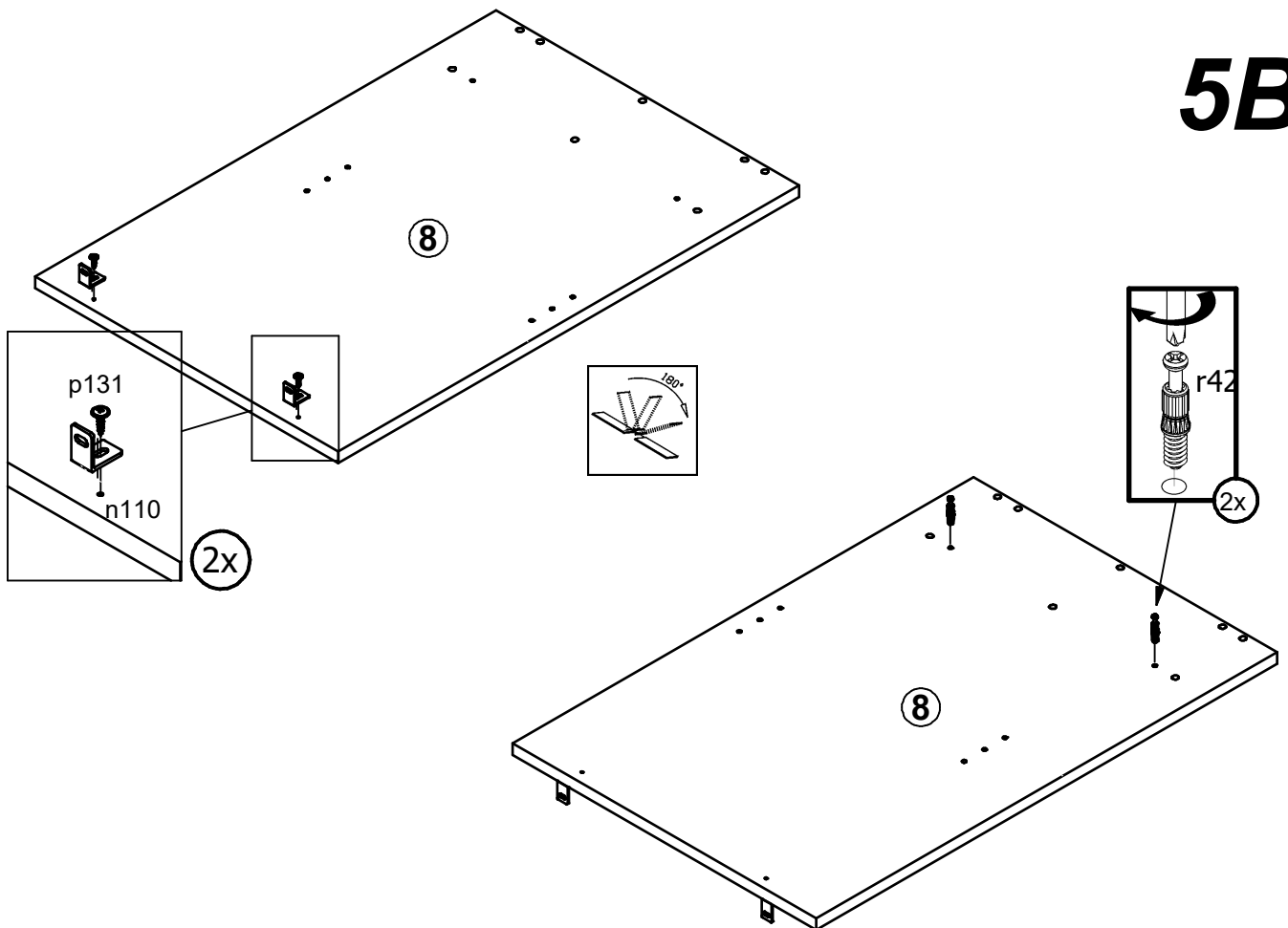
84-881---, 84-882---

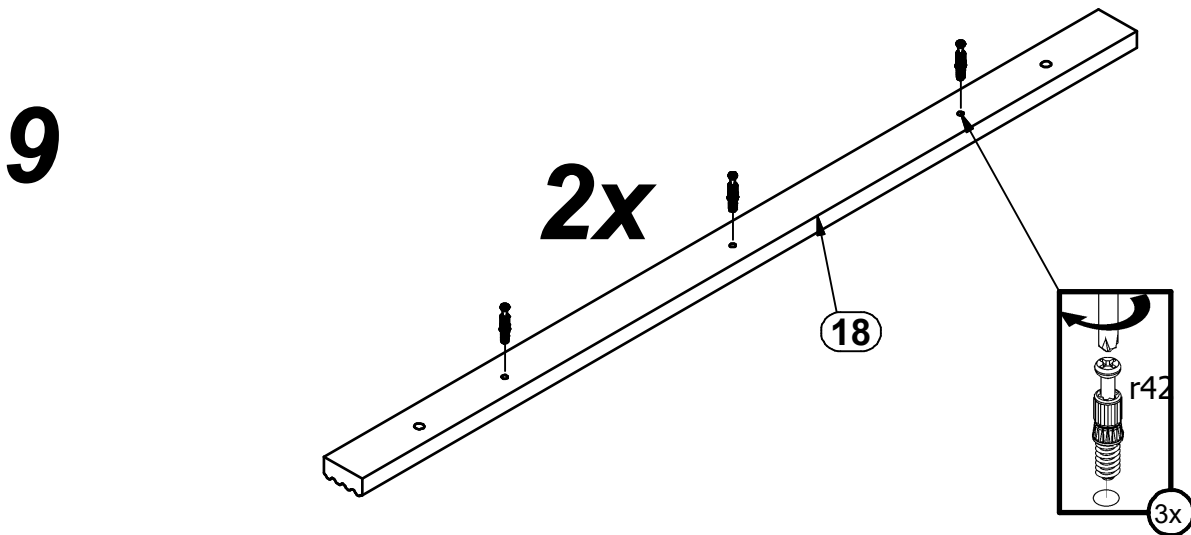
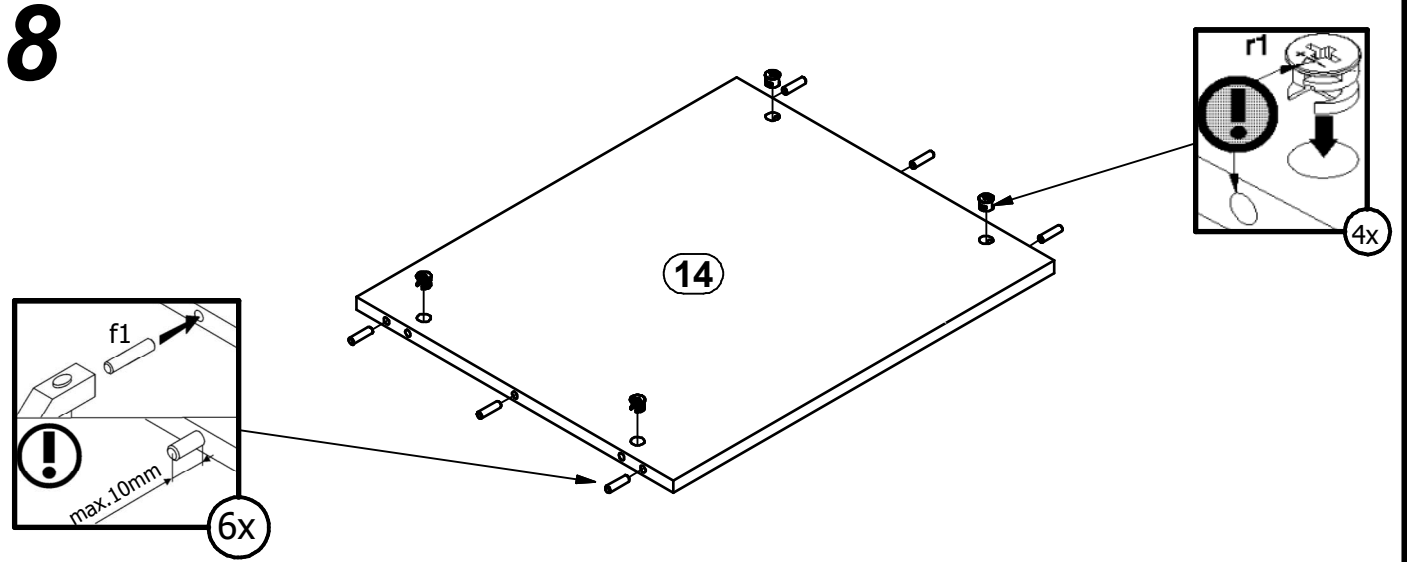
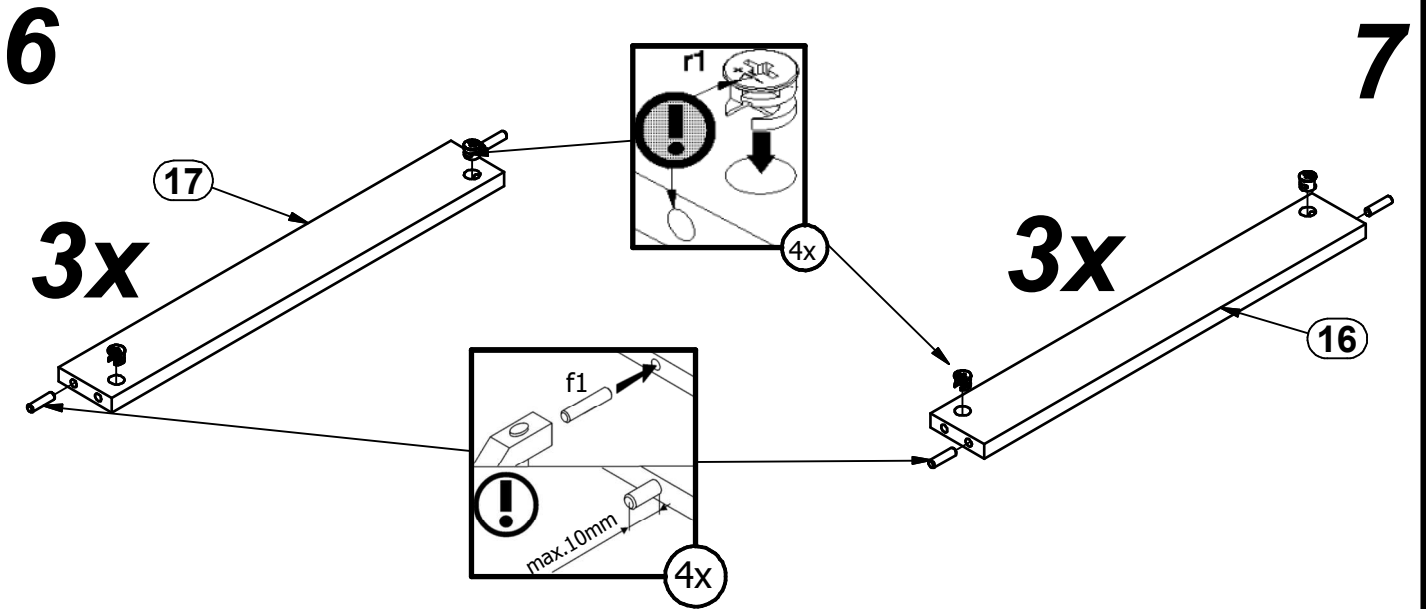
9 / 28

5A

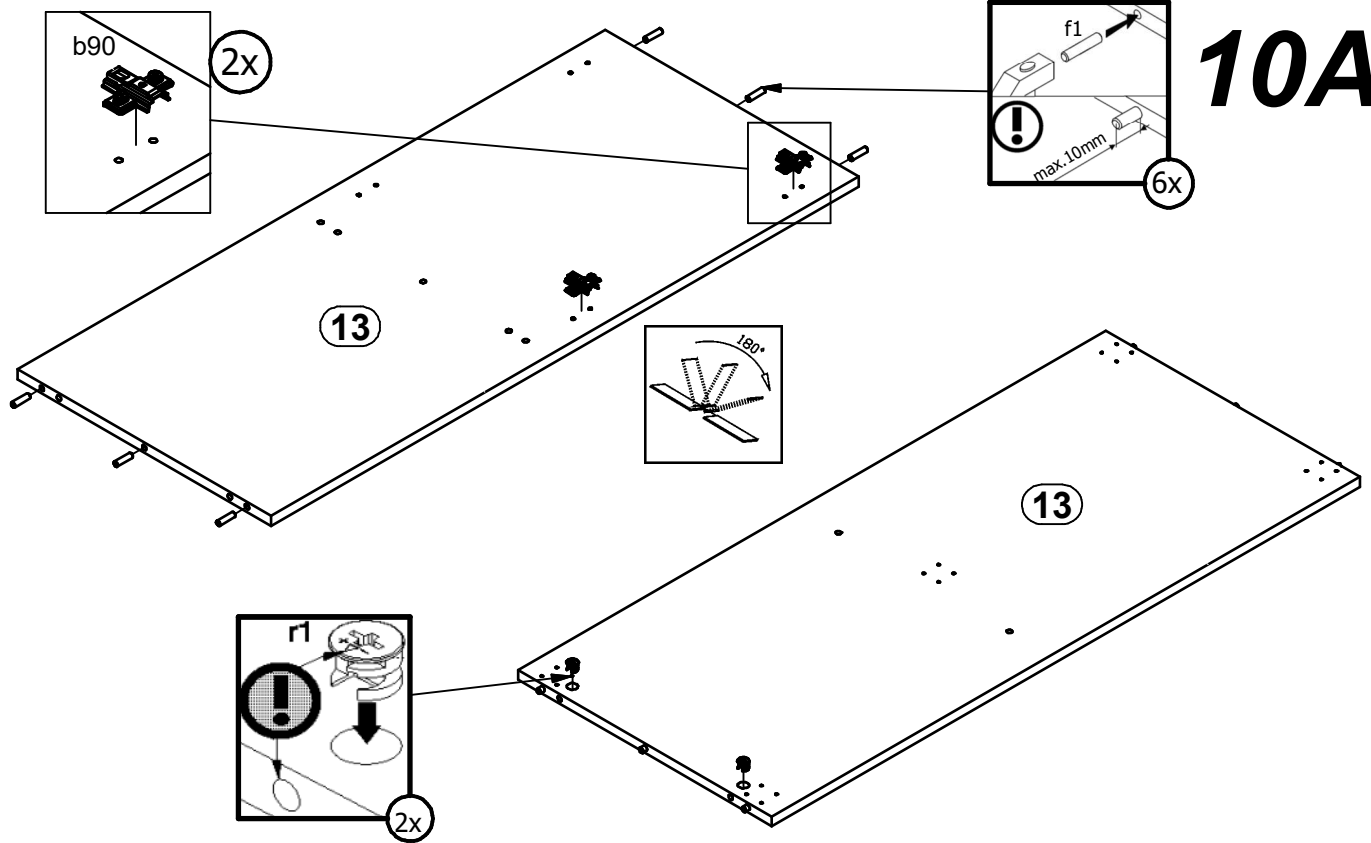


5B

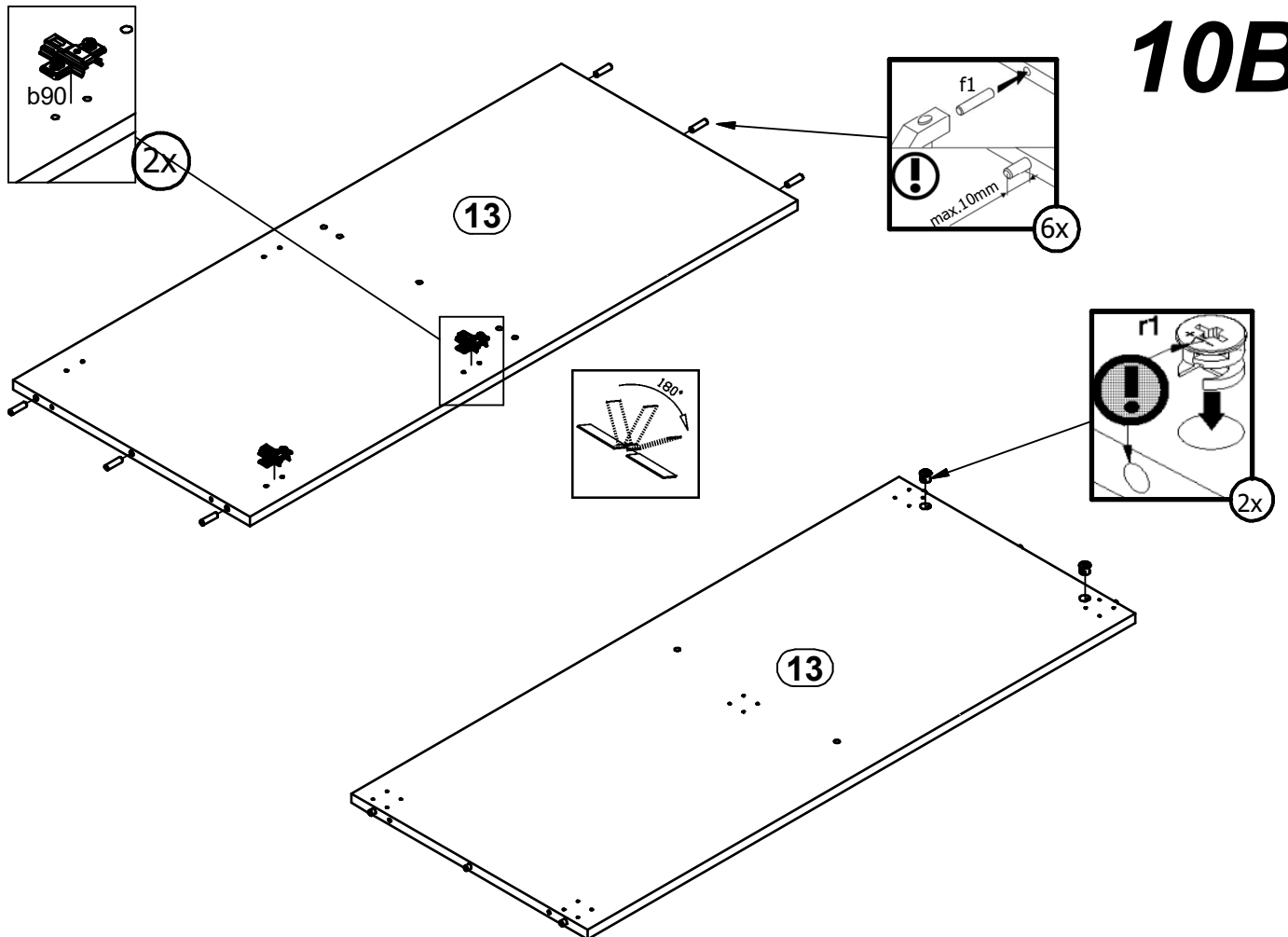




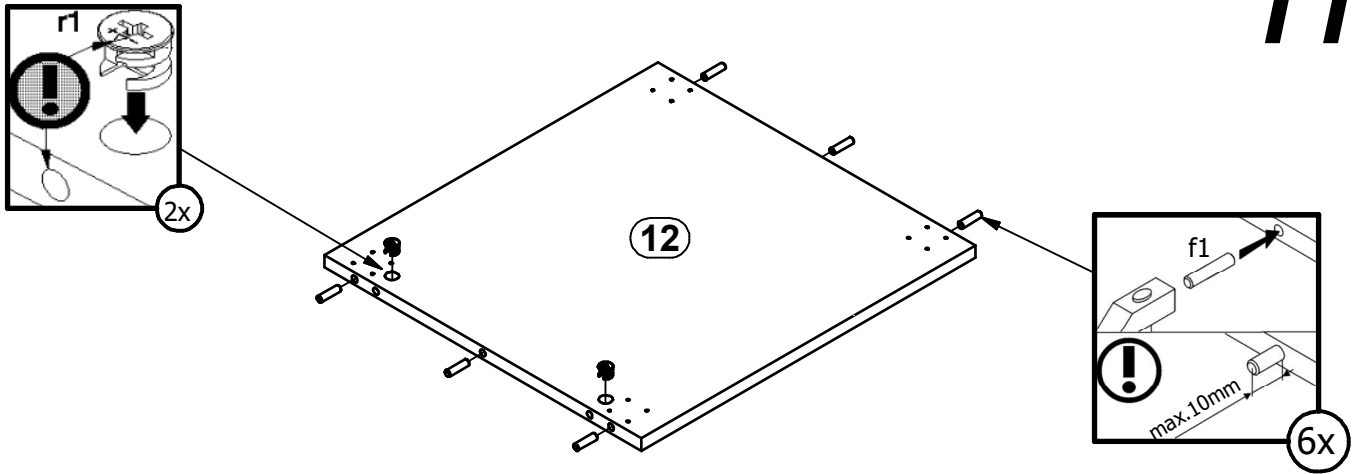
# 10A



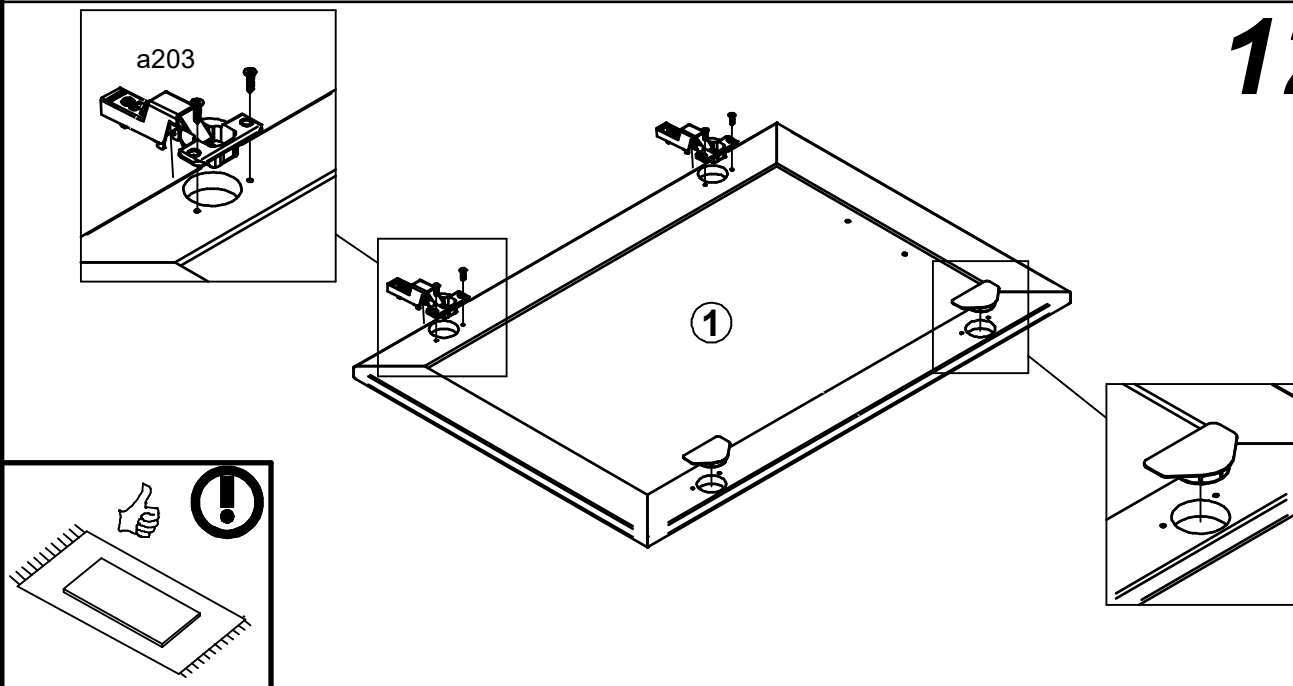
# 10B



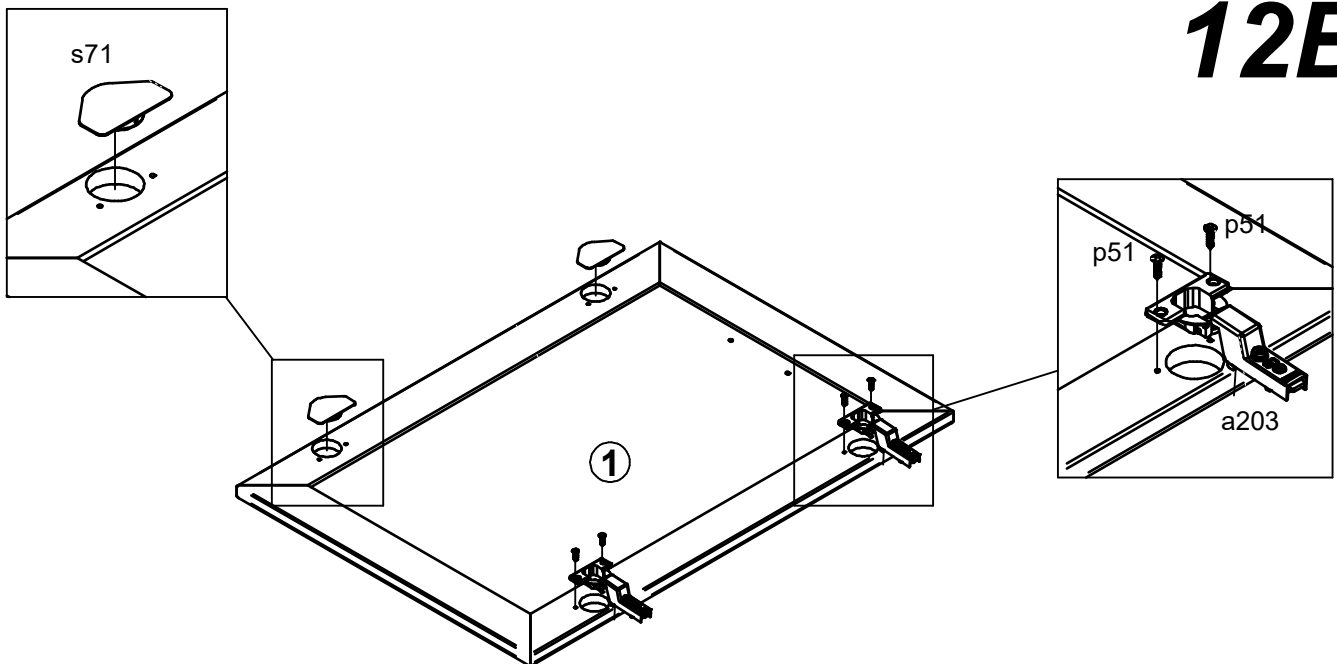
# 11



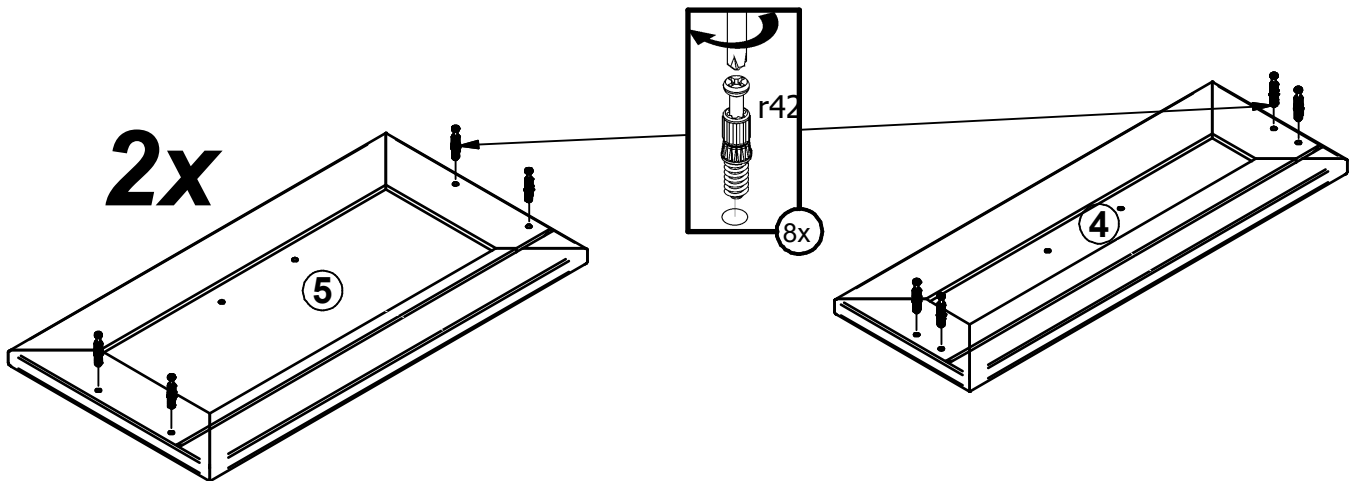
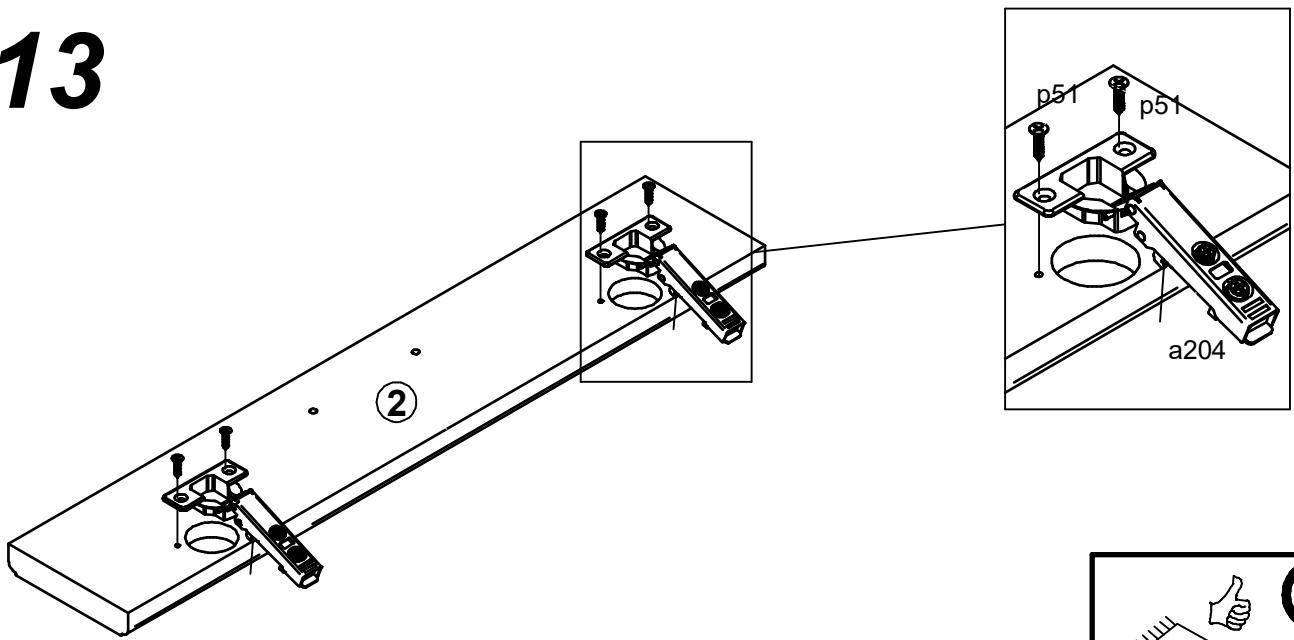
# 12A



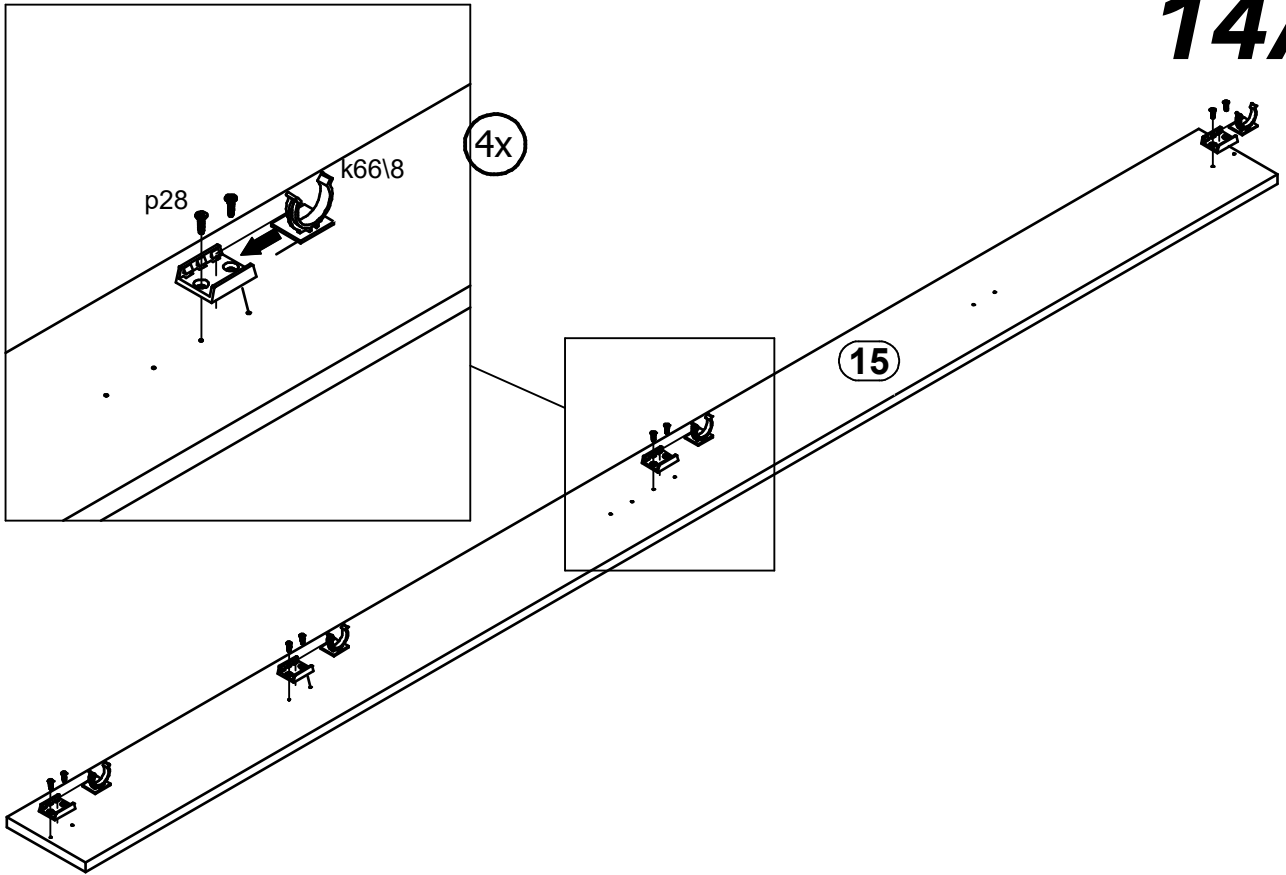
# 12B



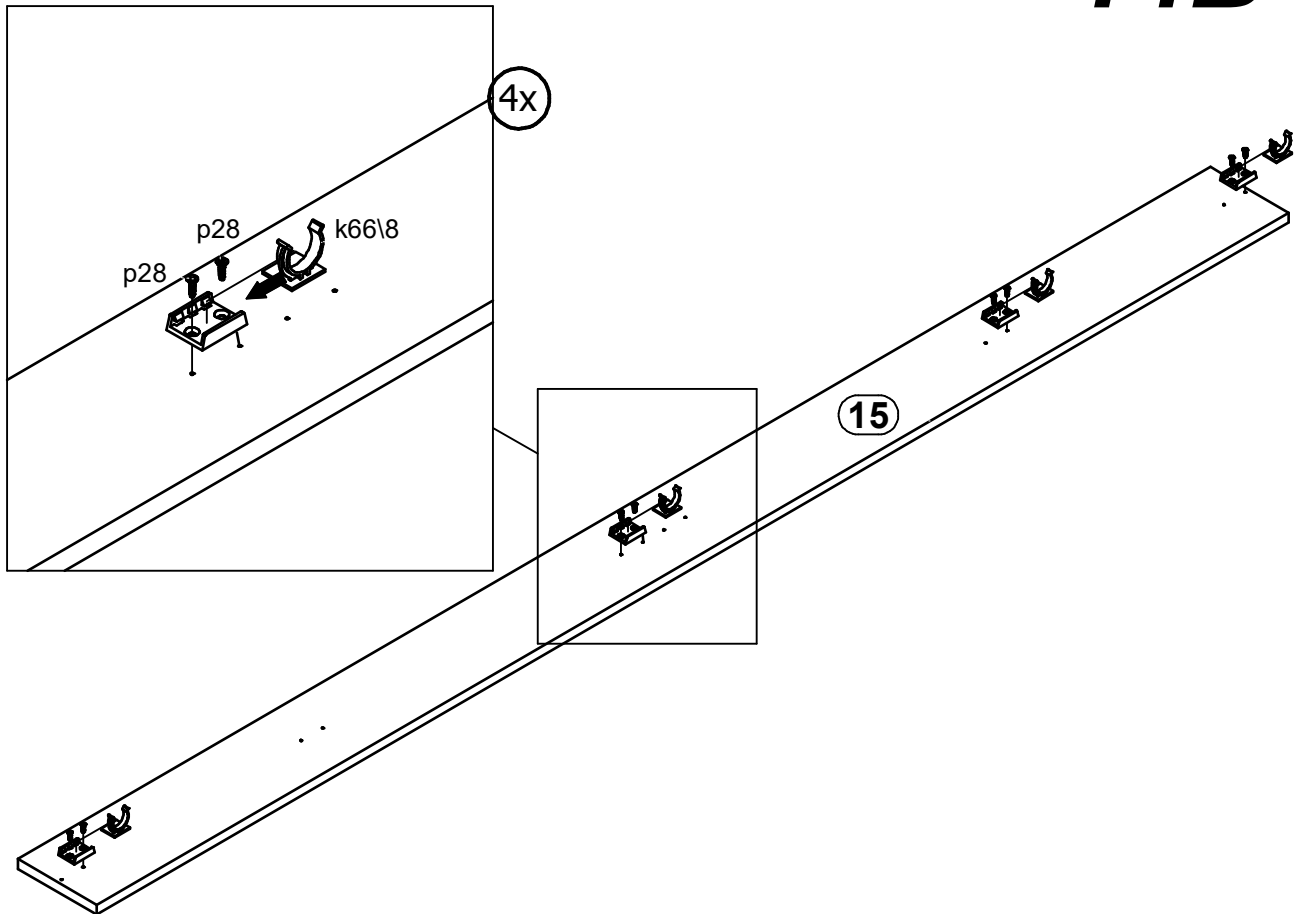
13



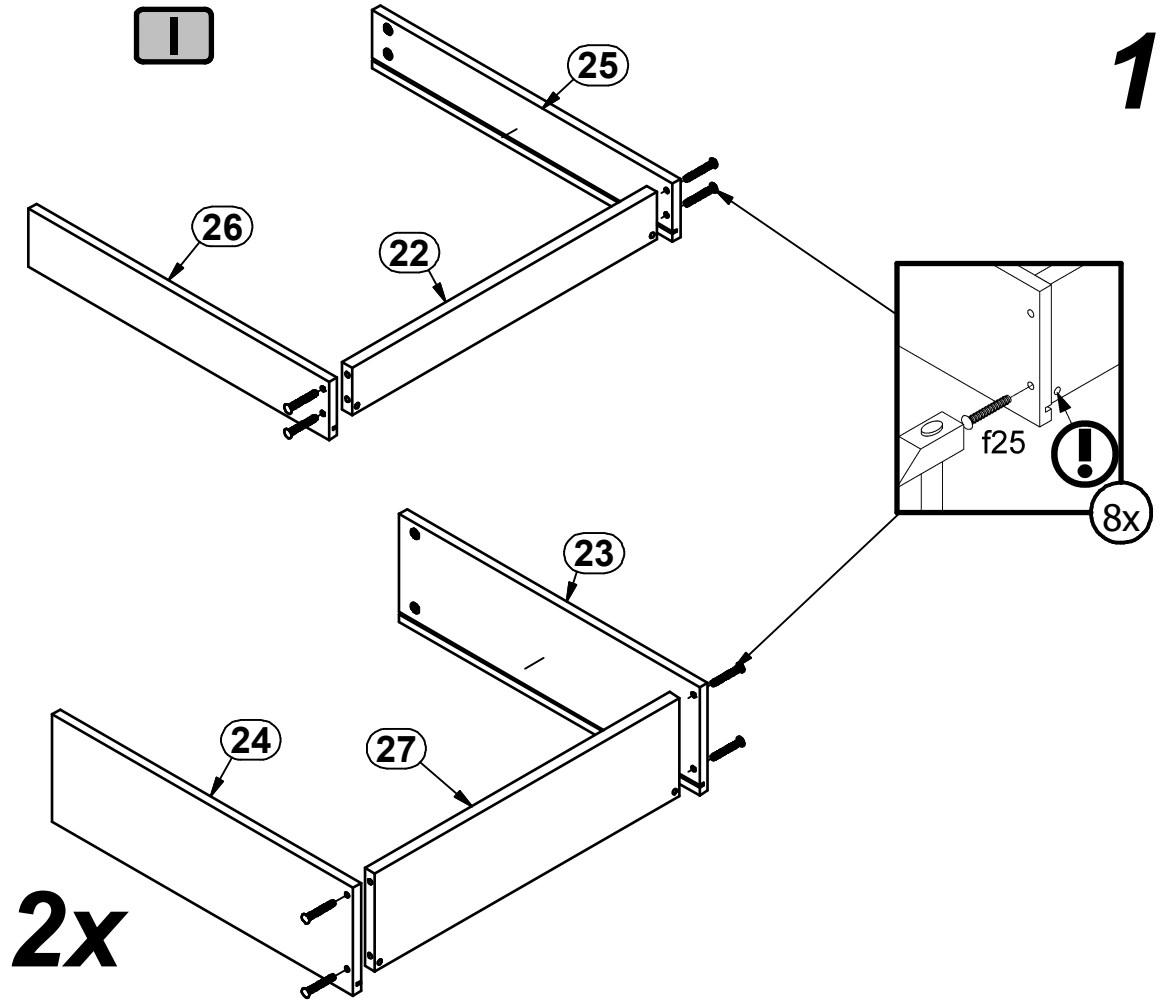
# 14A



# 14B



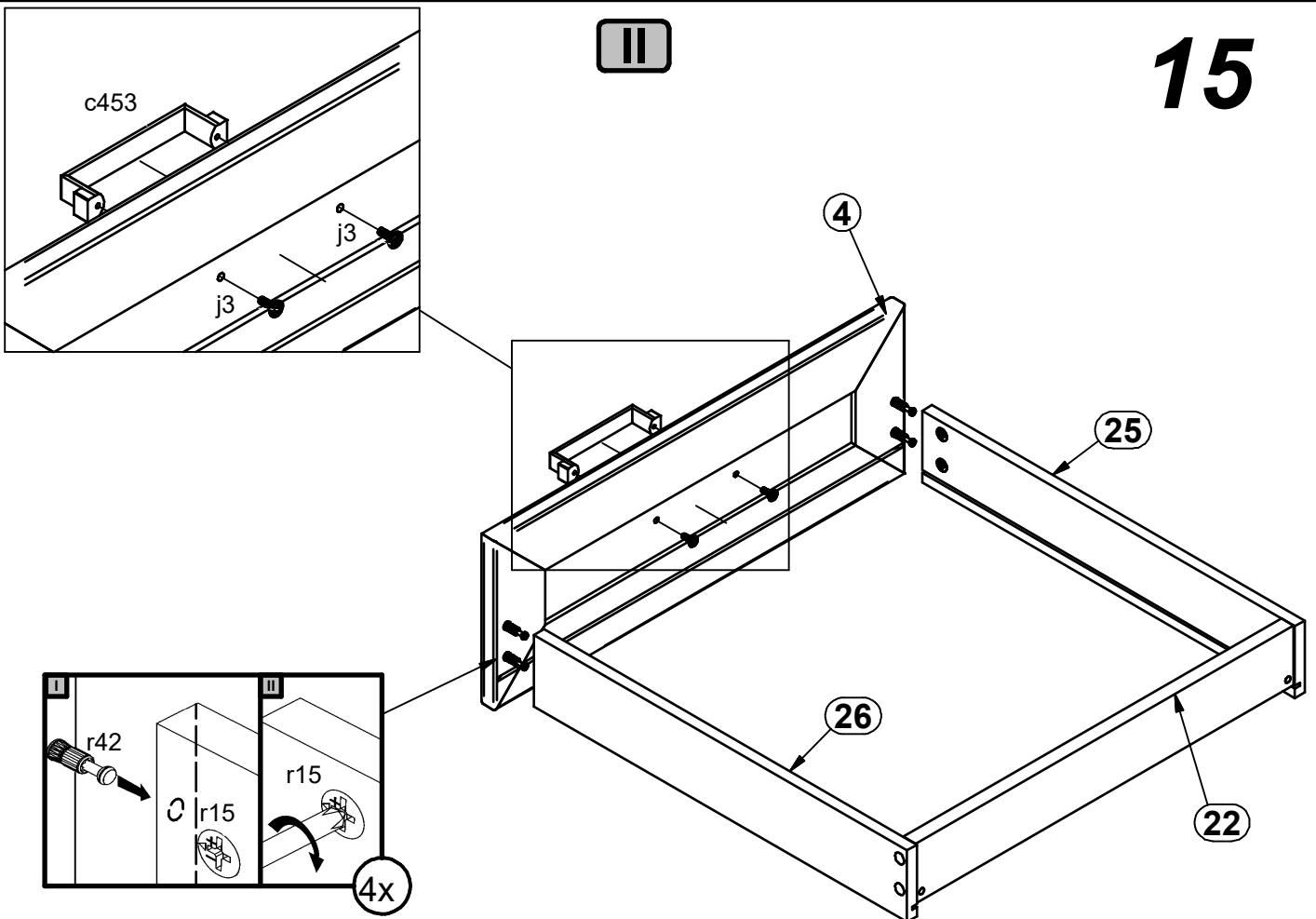
15



2x

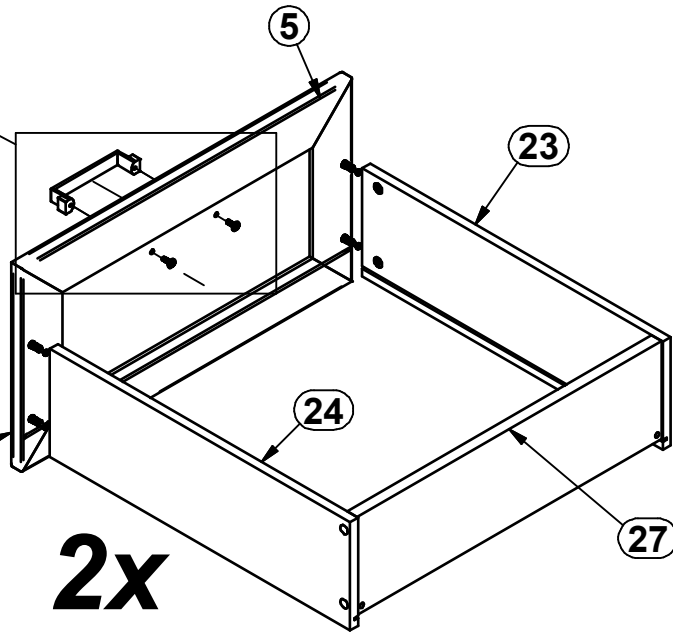
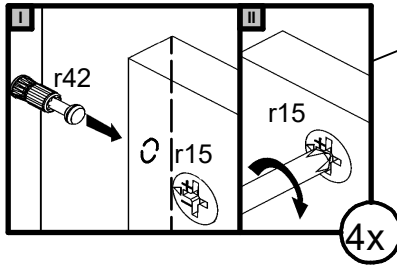
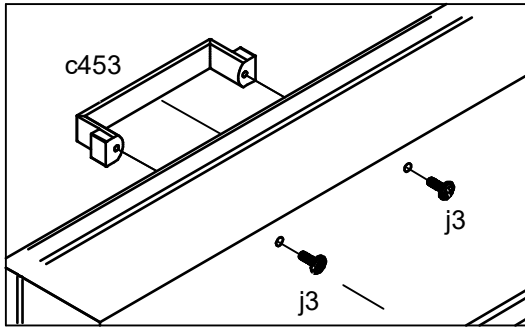
II

15



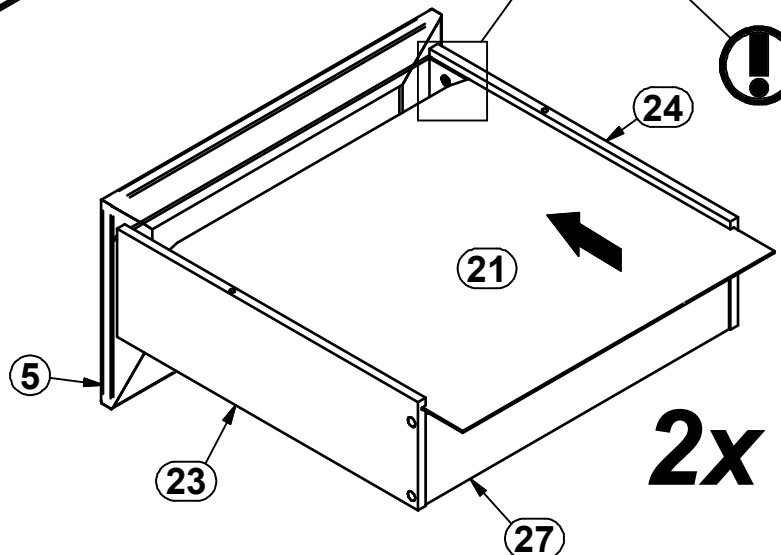
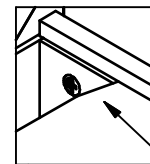
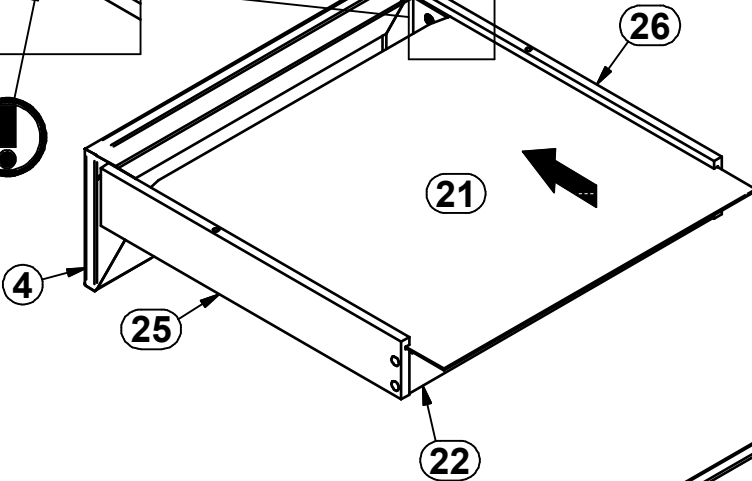
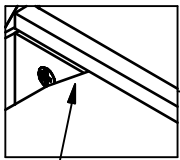
II

15



15

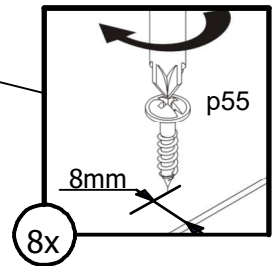
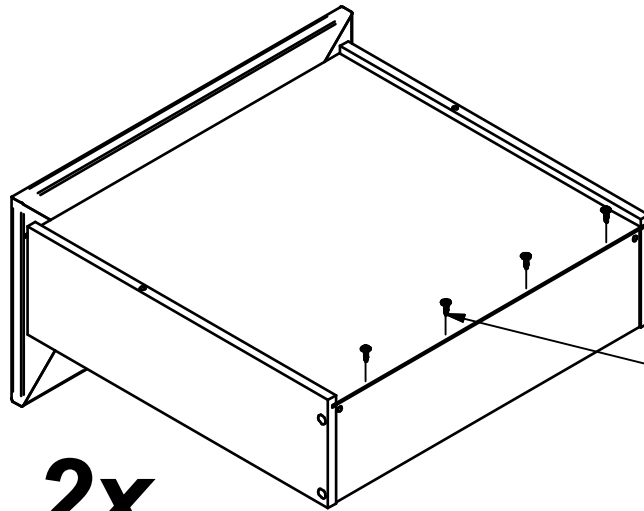
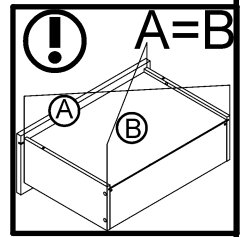
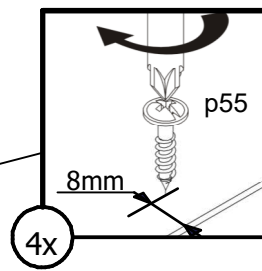
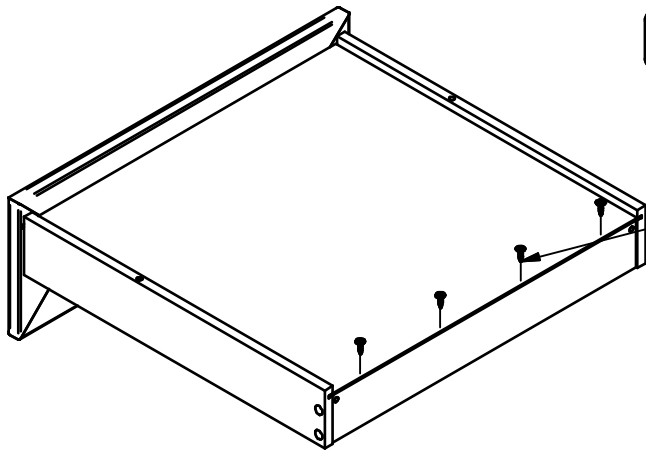
III





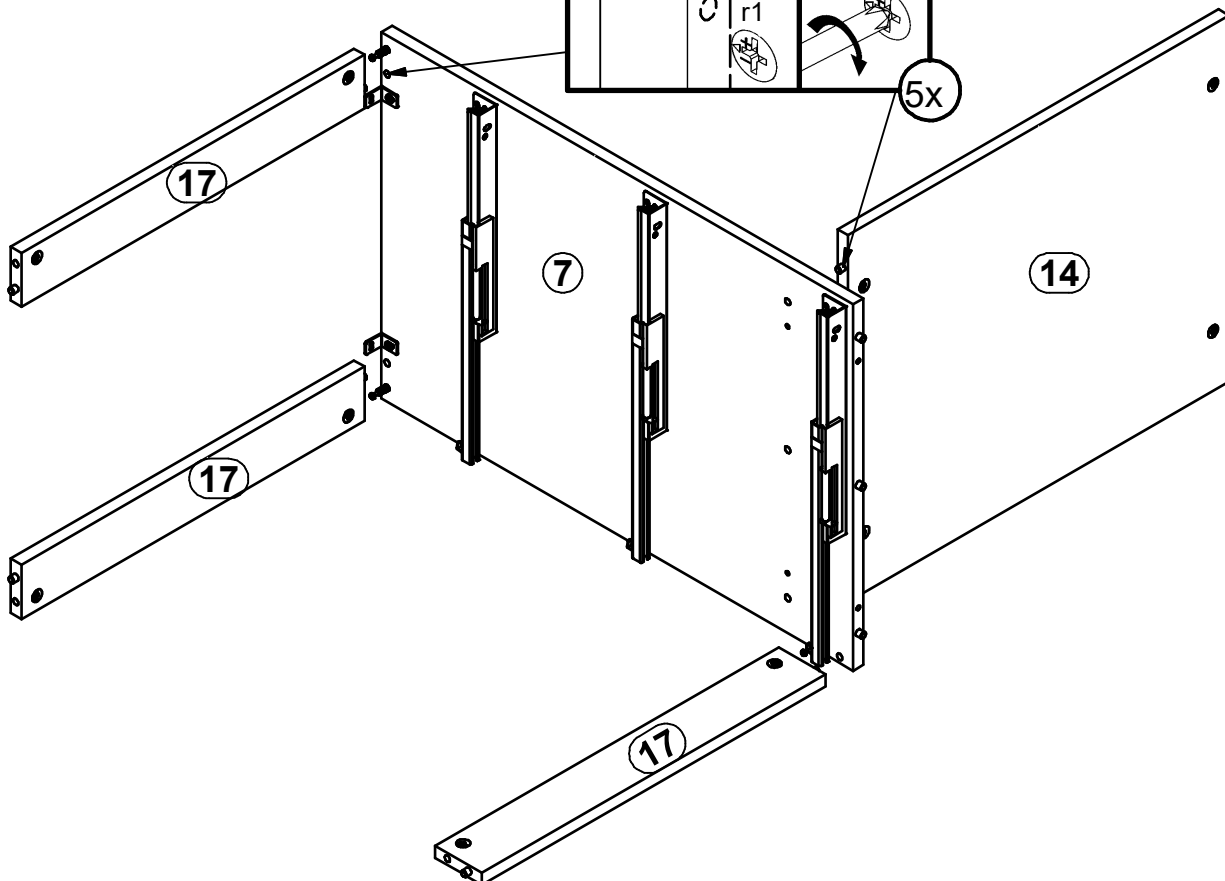
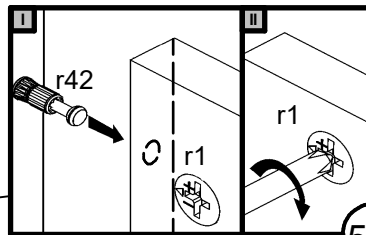
IV

15

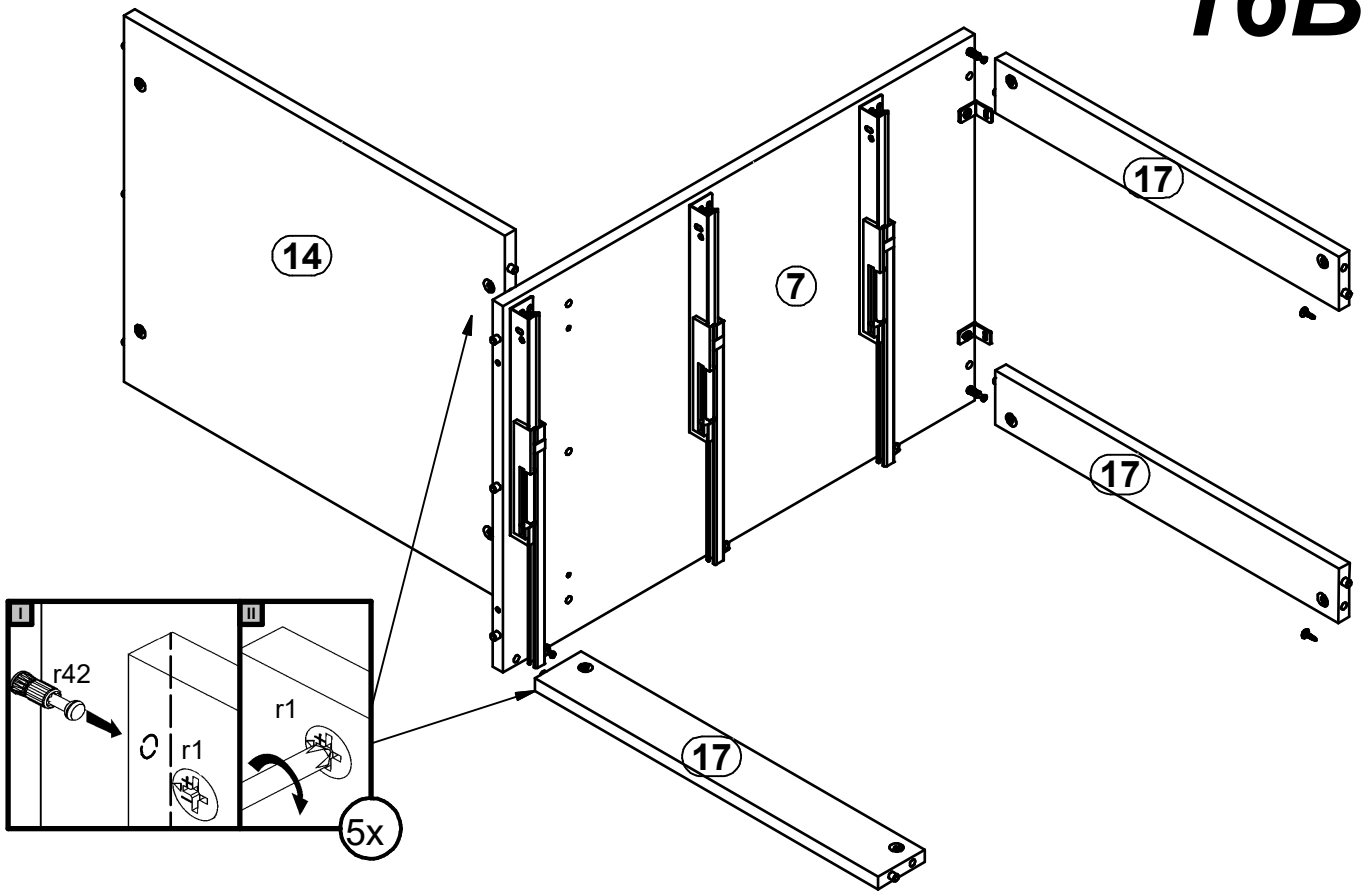


2x

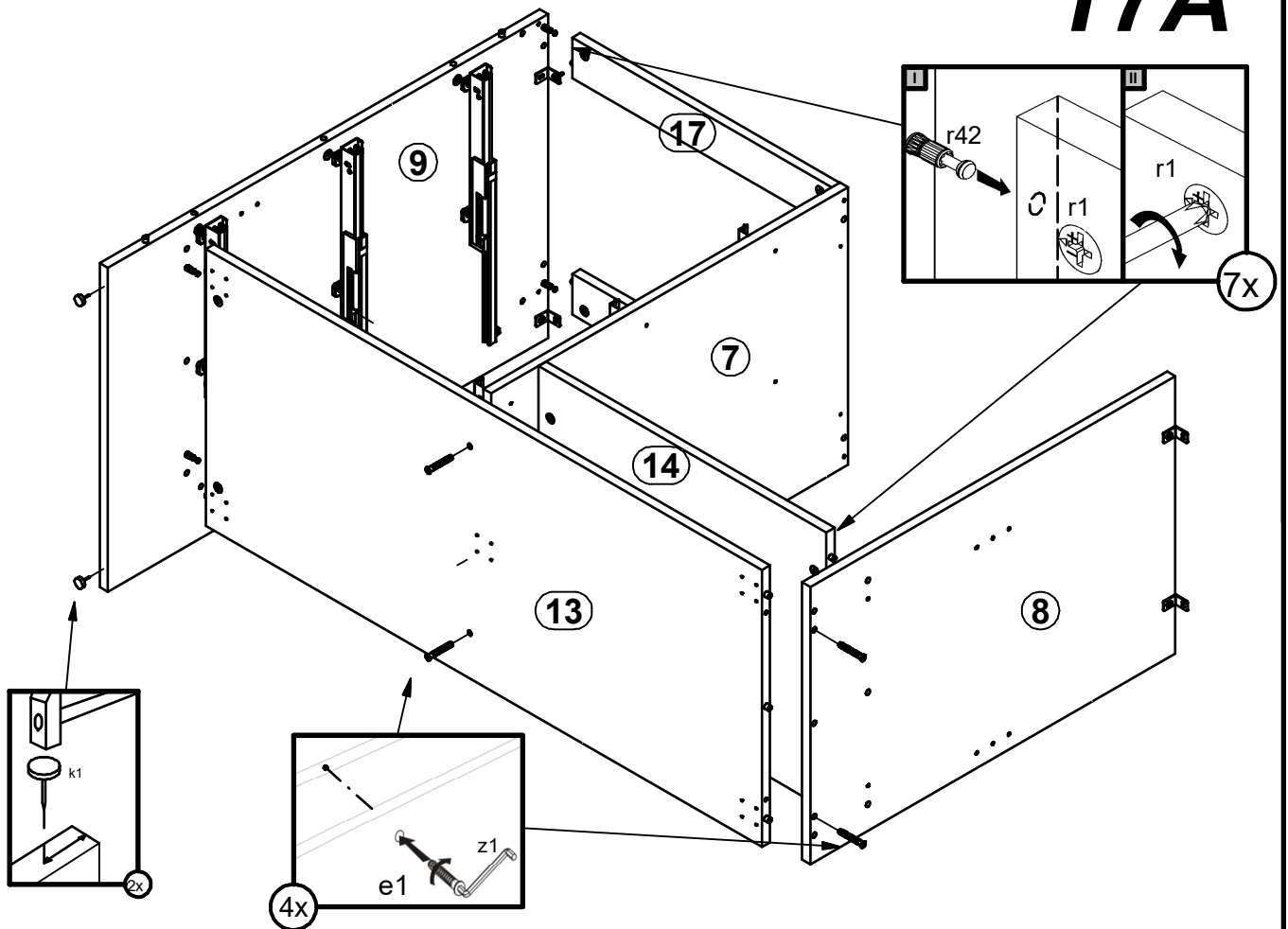
16A



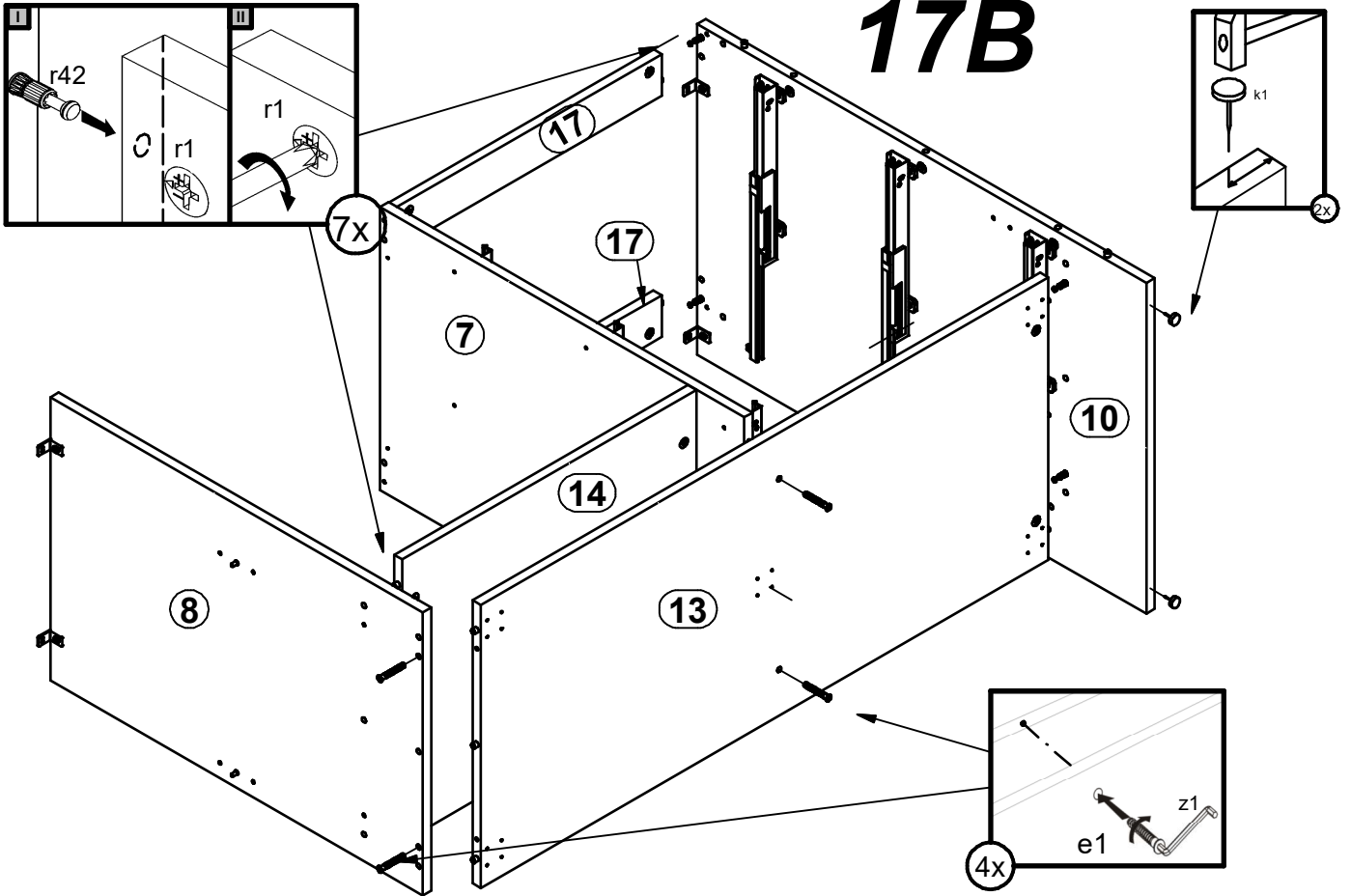
# 16B



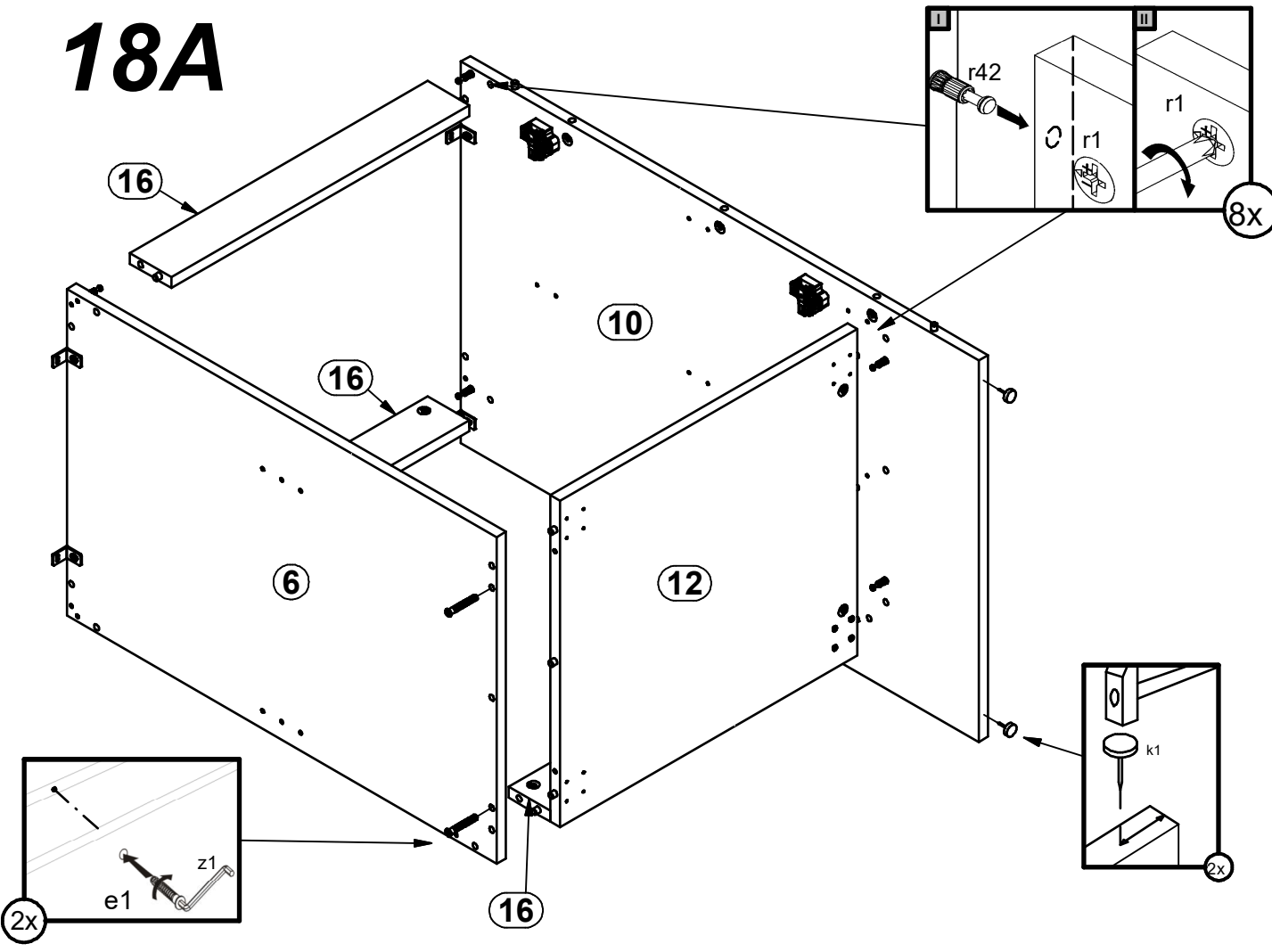
# 17A

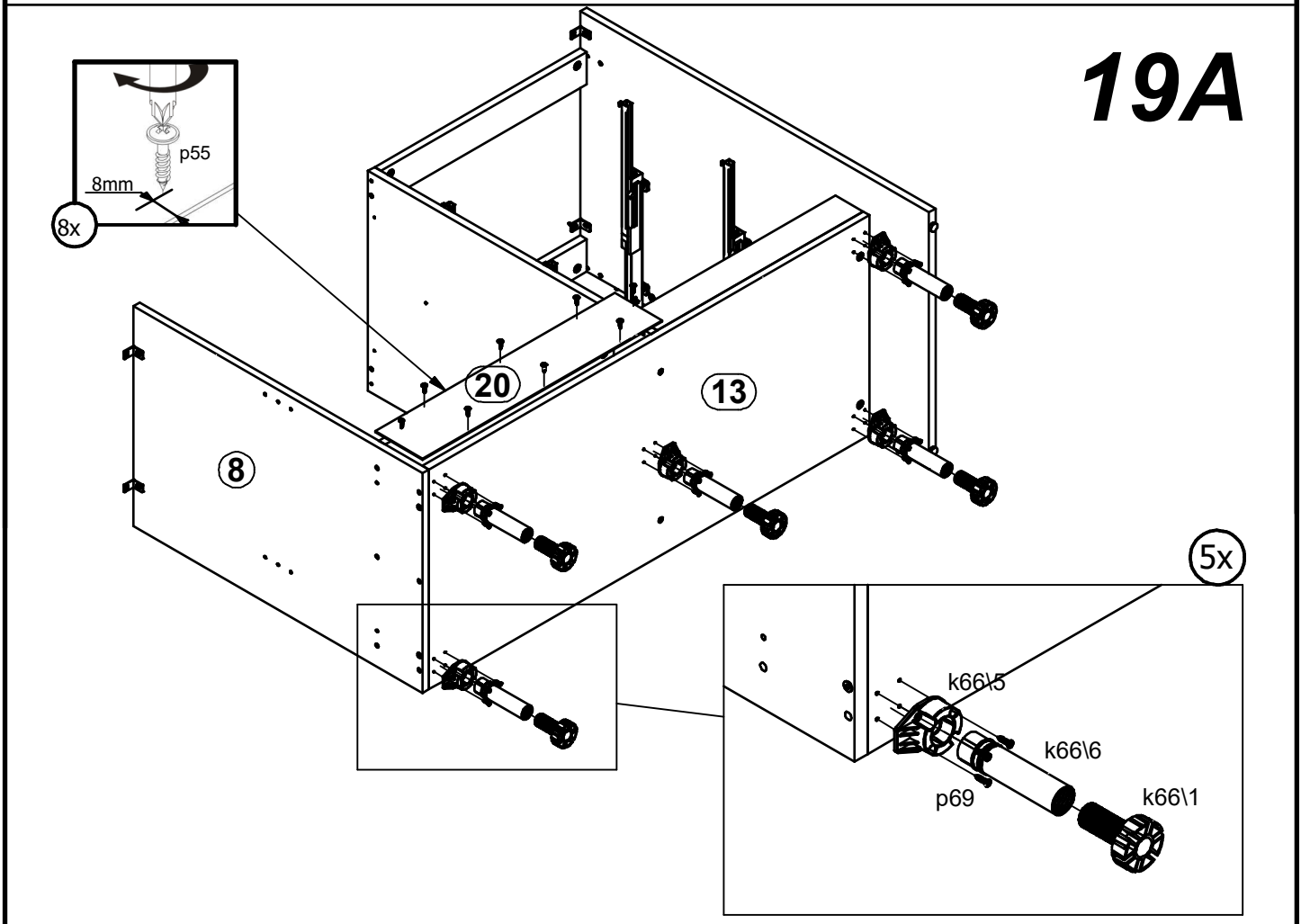
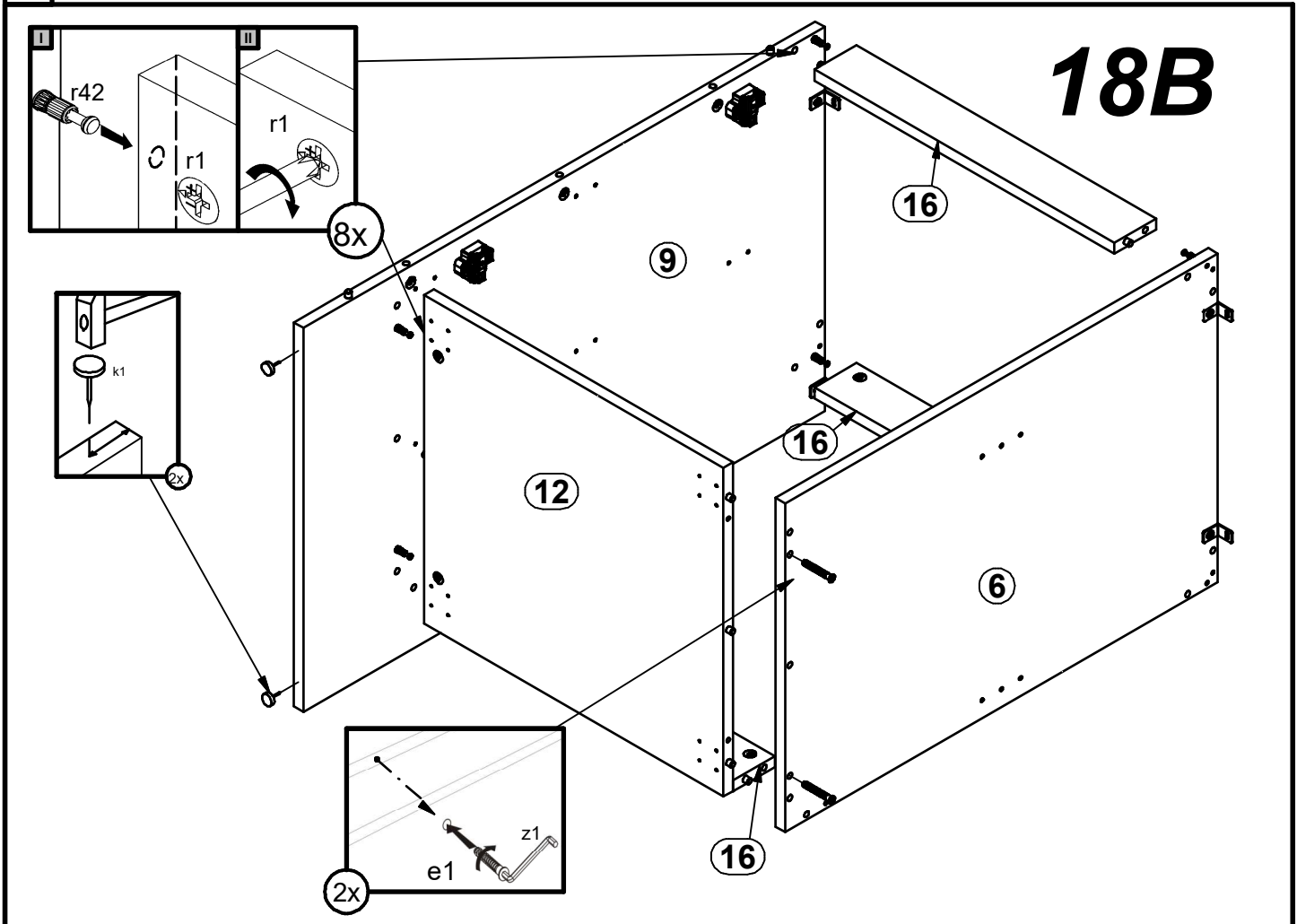


# 17B

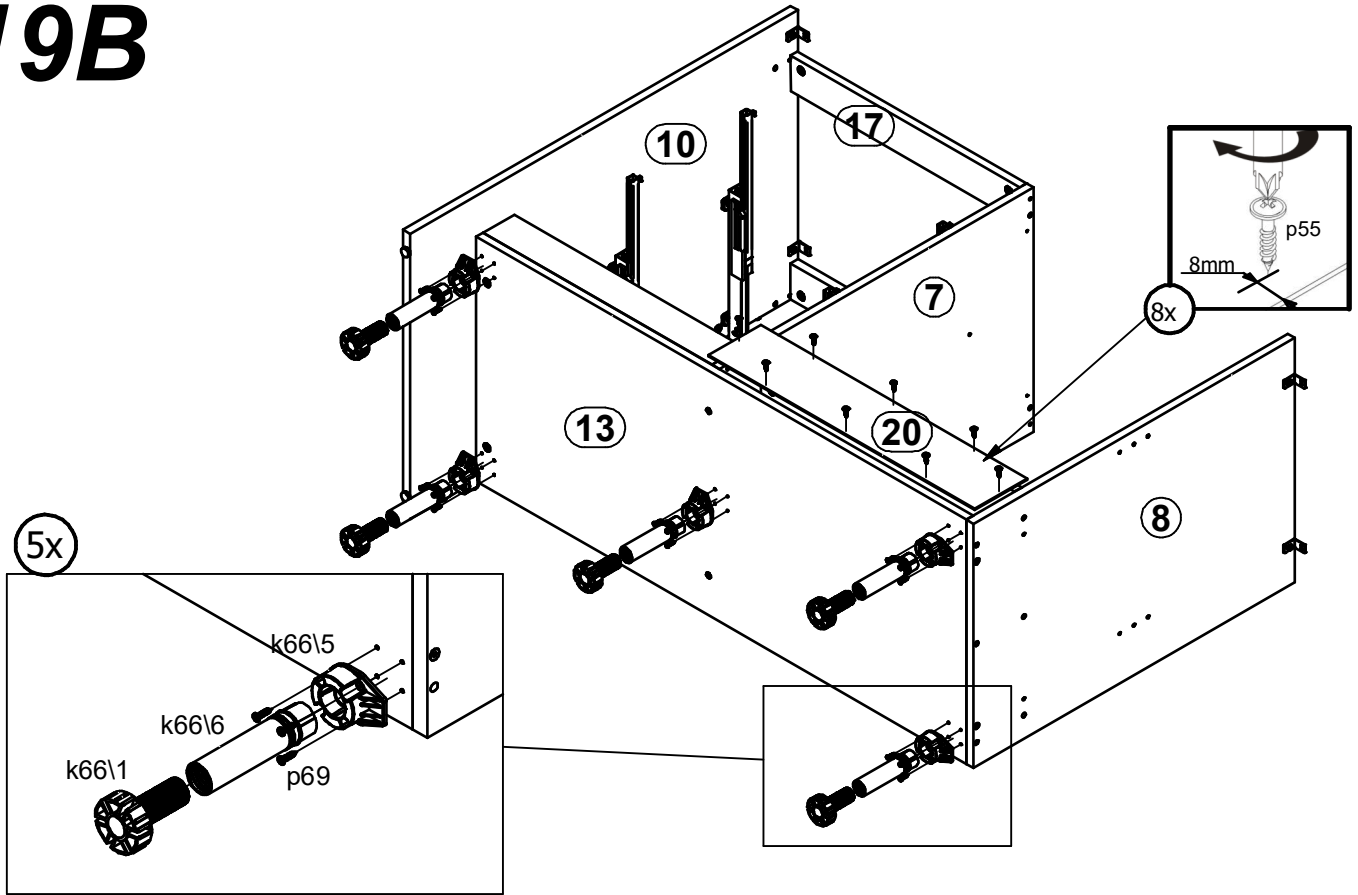


# 18A

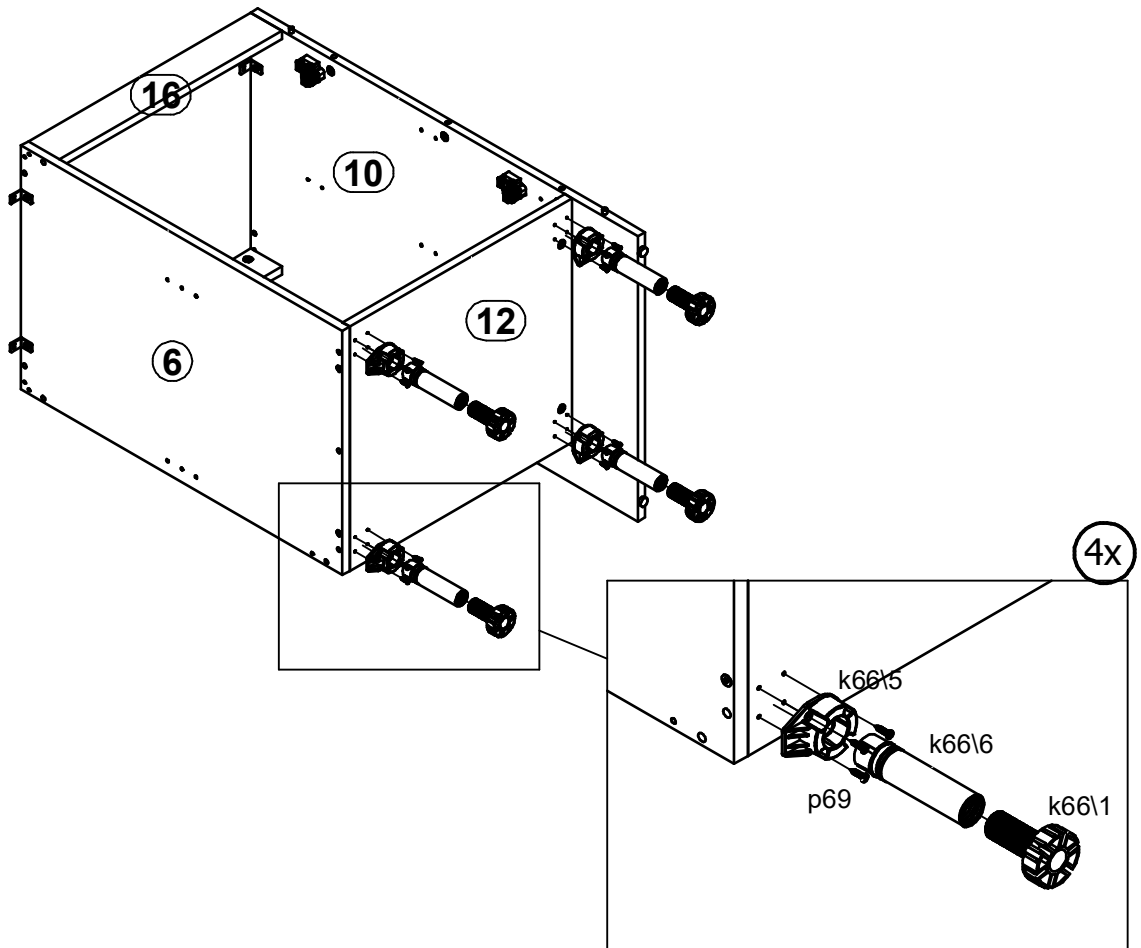




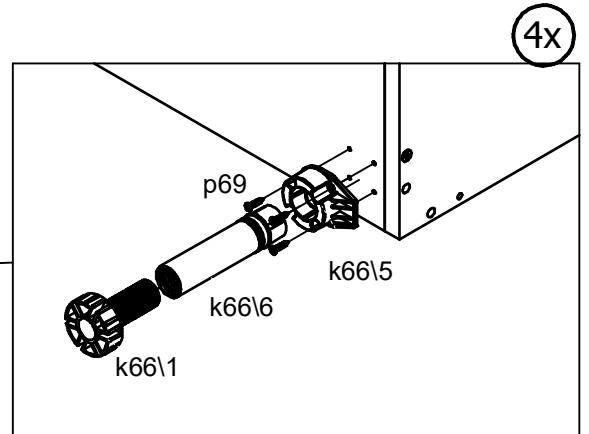
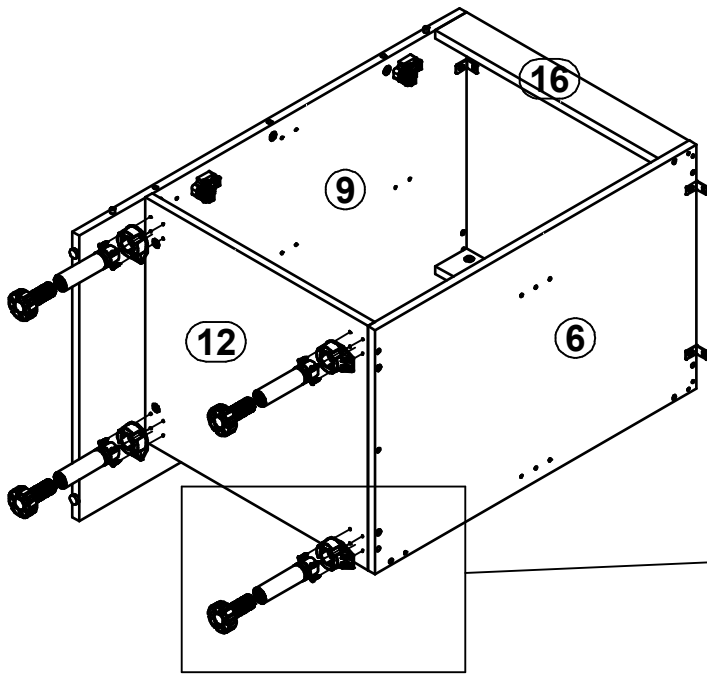
# 19B



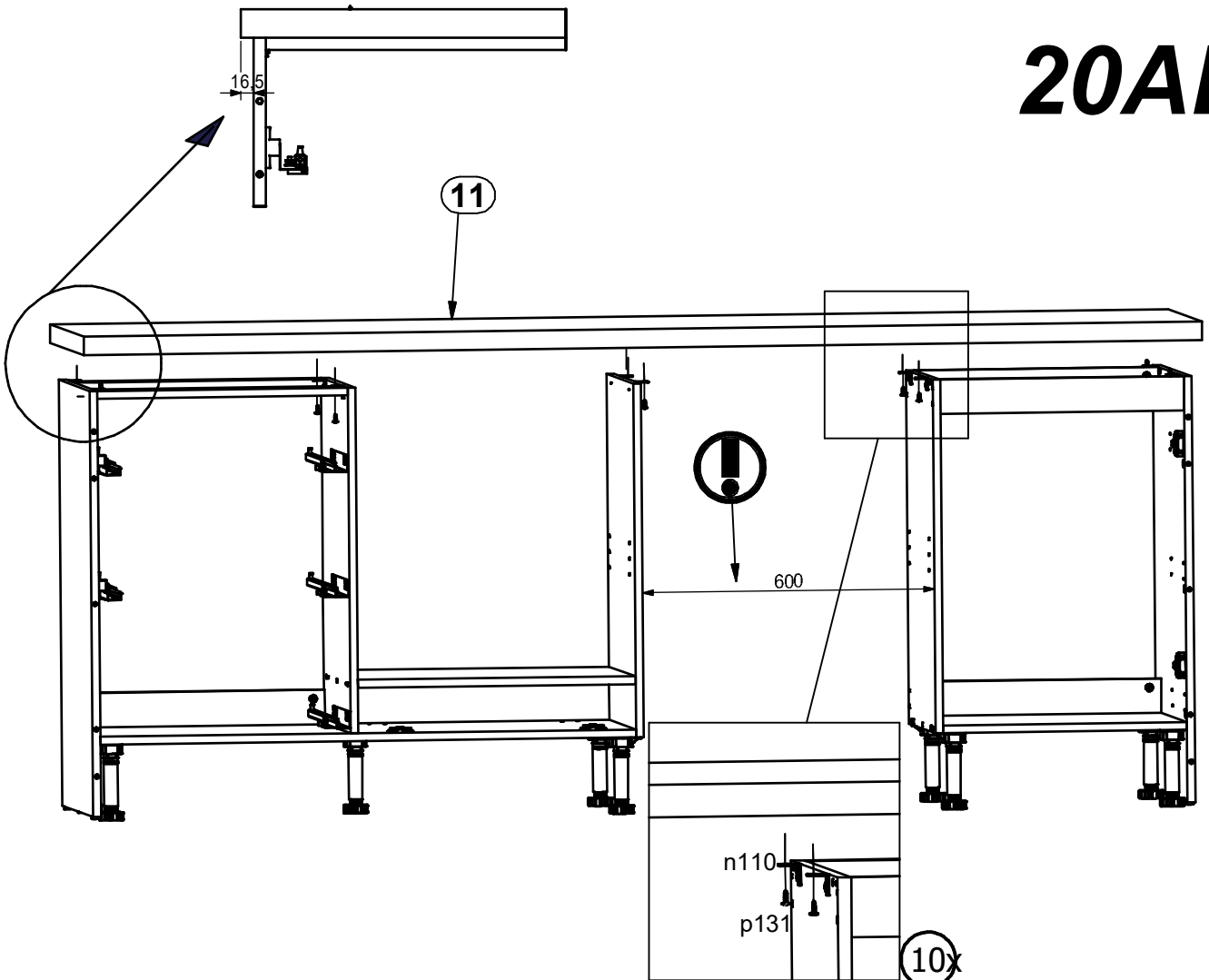
# 20A



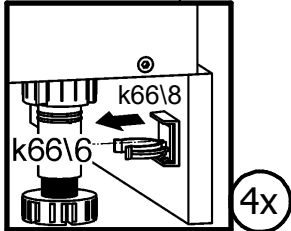
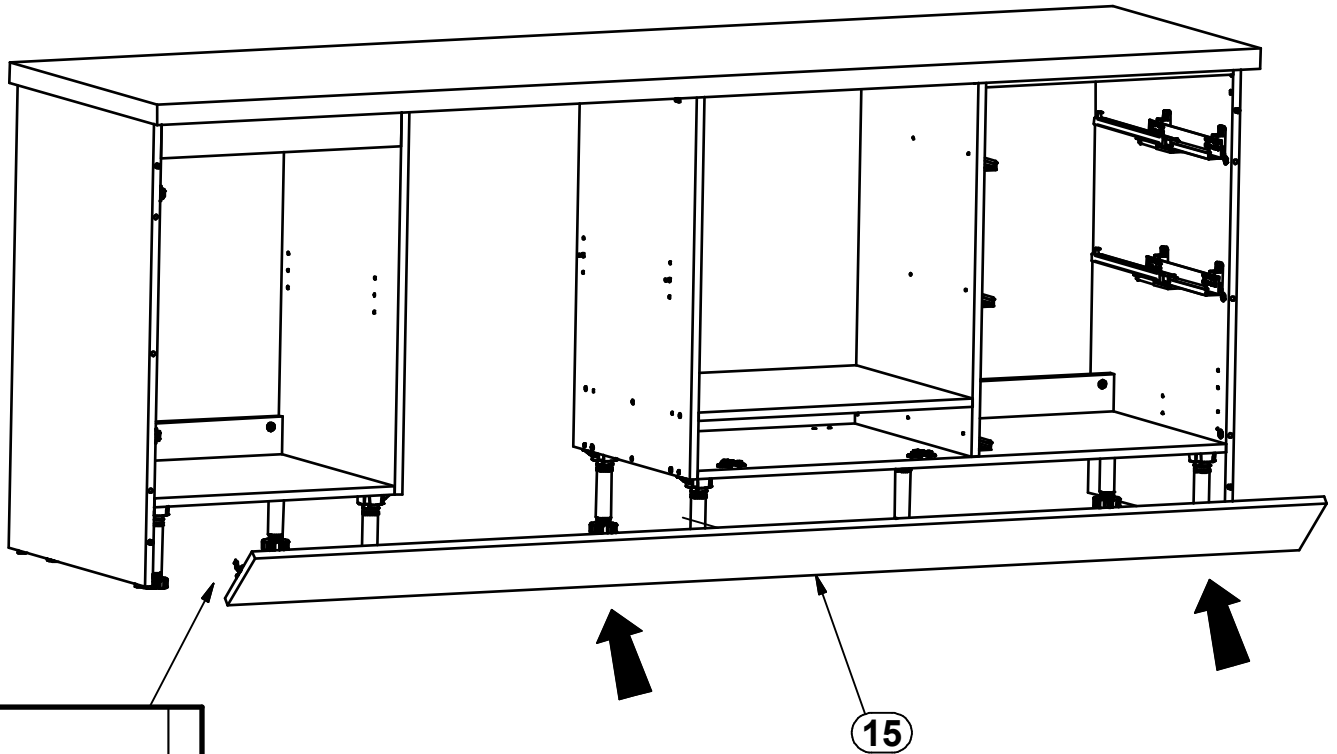
# 20B



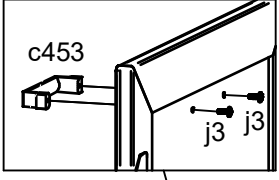
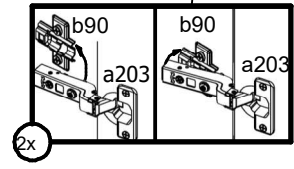
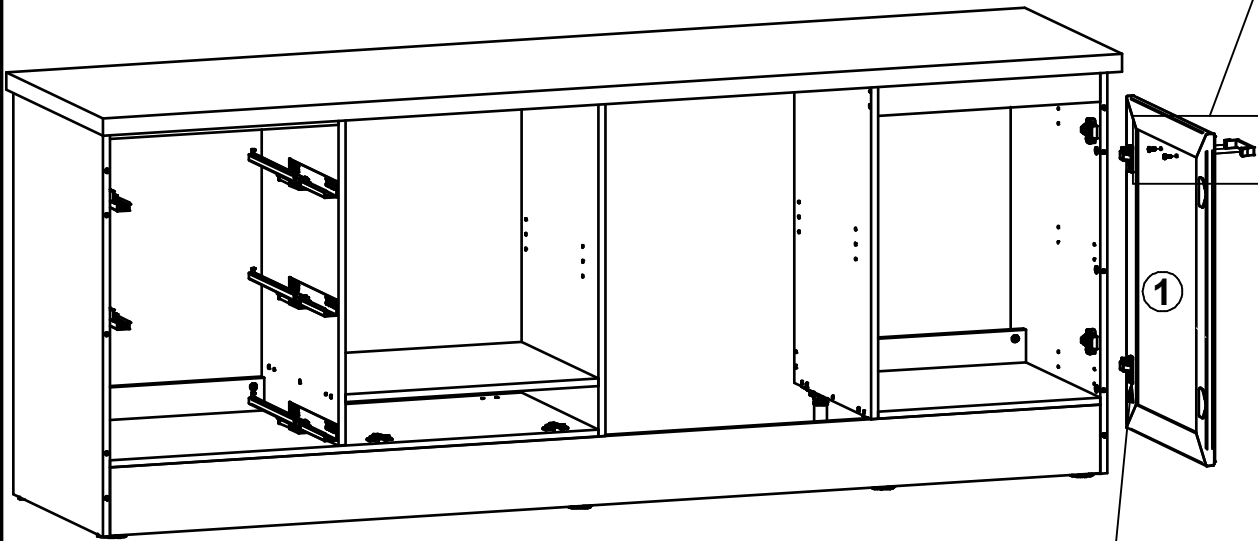
# 20AB



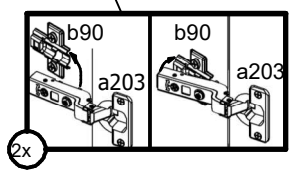
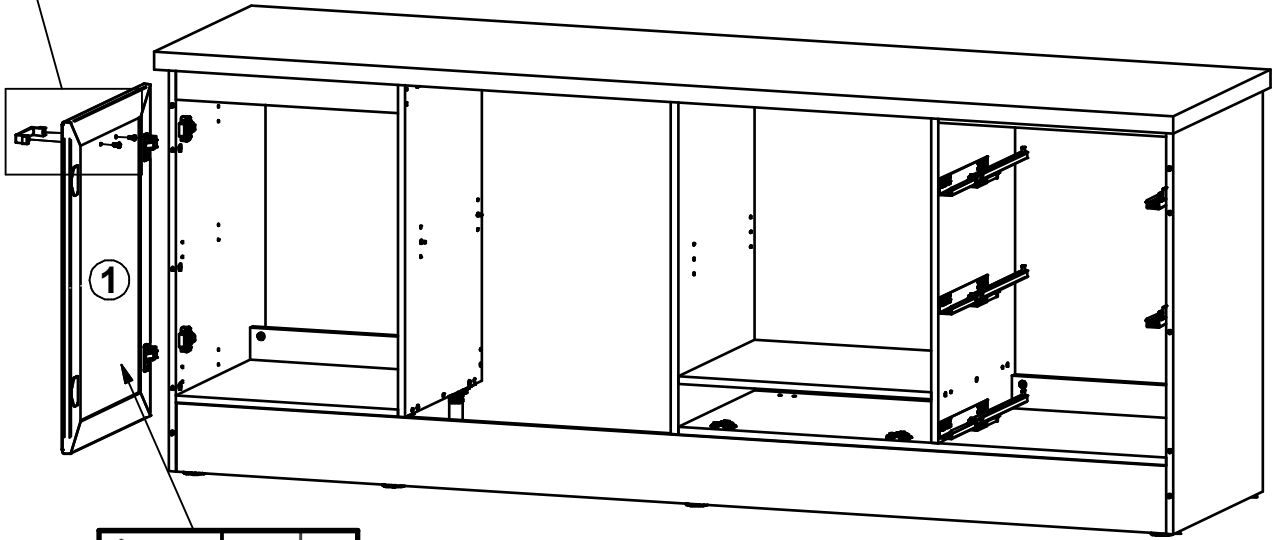
# 21AB



# 22A

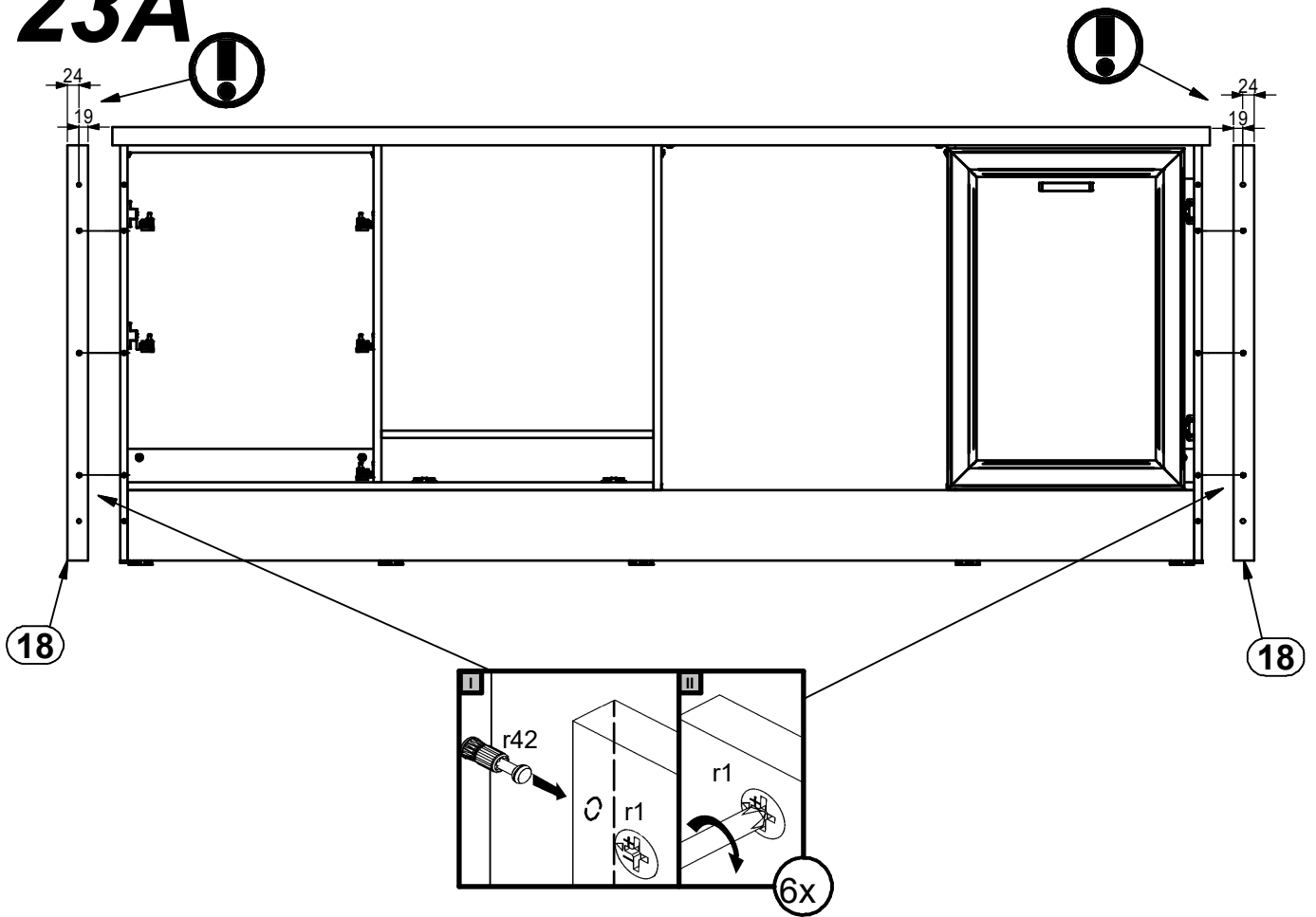


# 22B

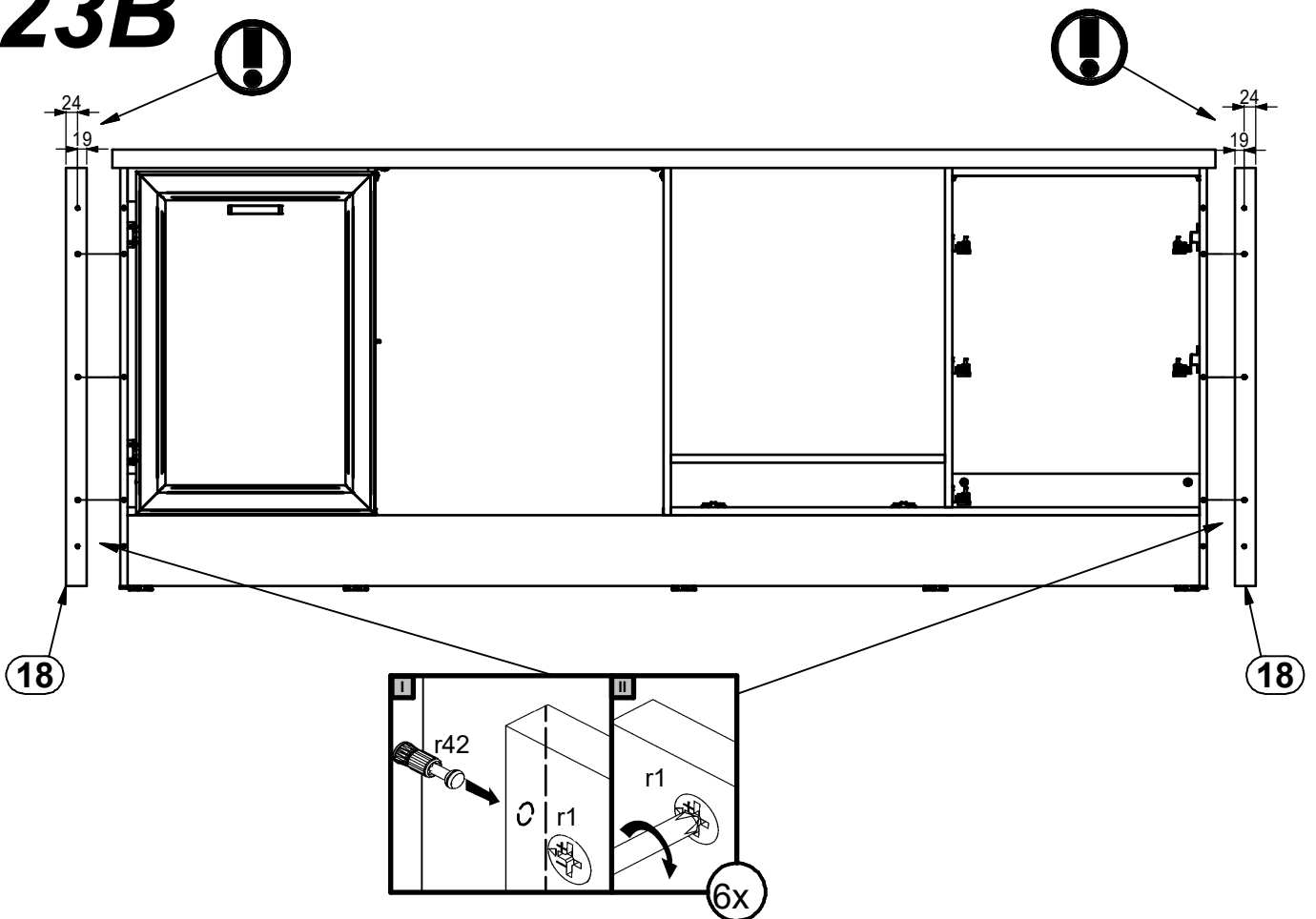


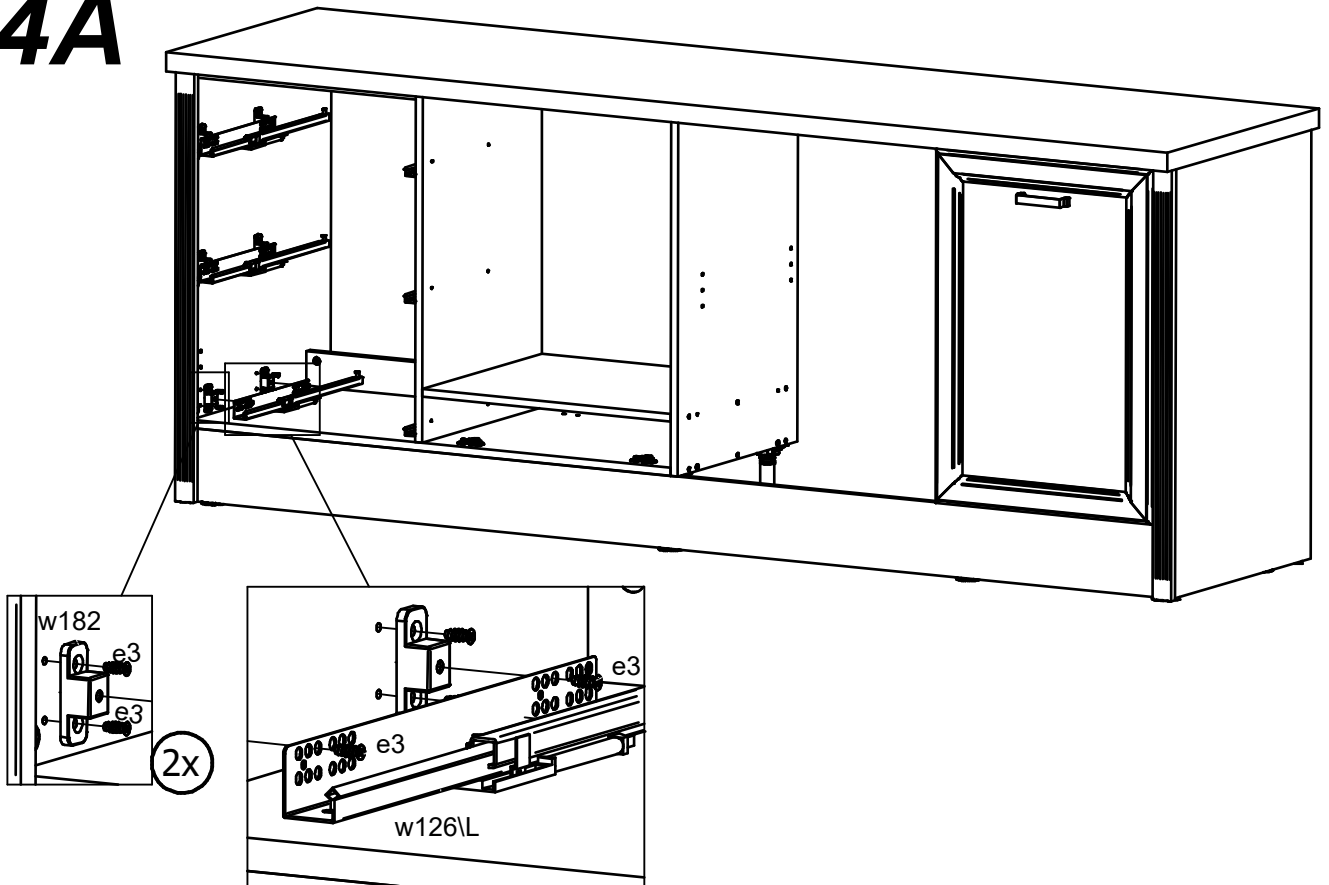
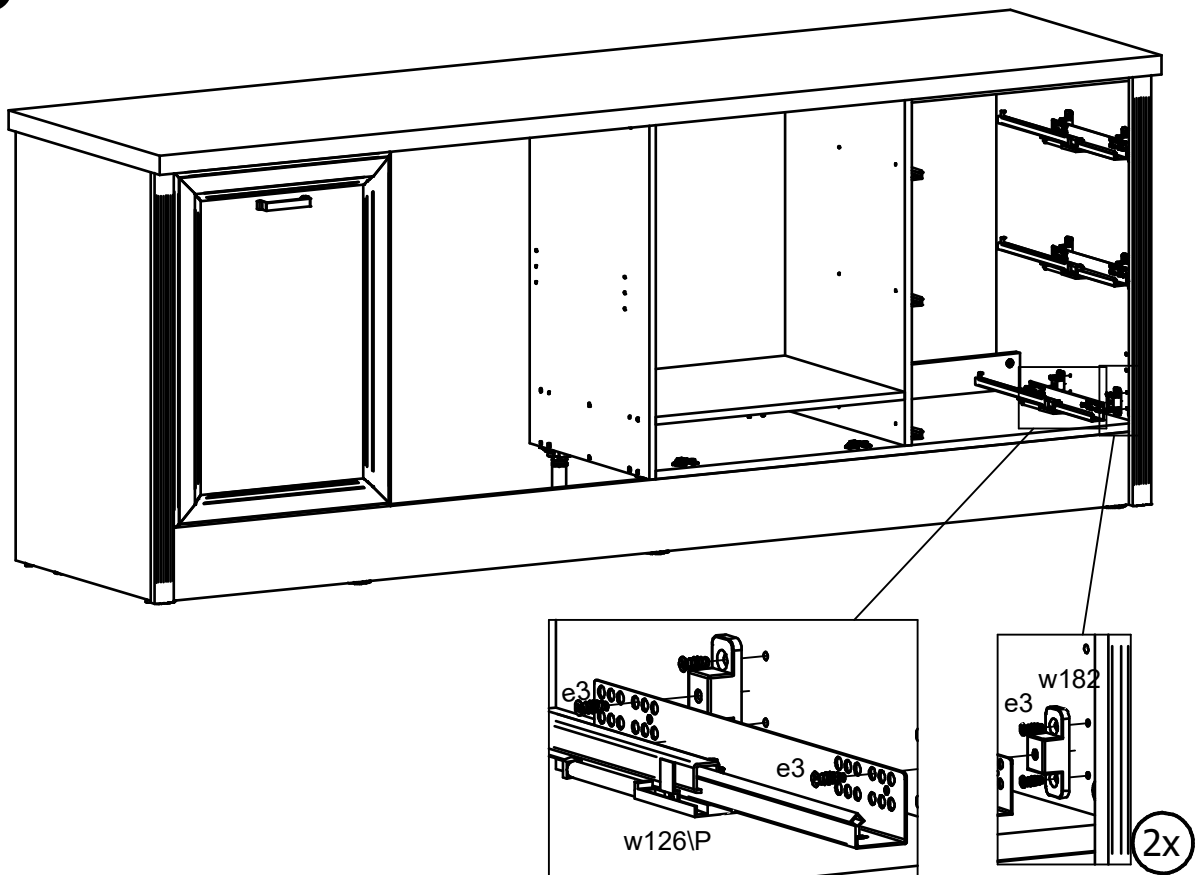


# 23A

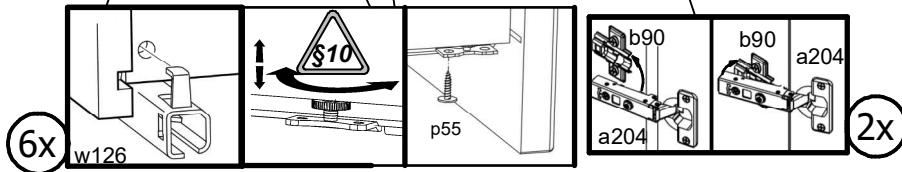
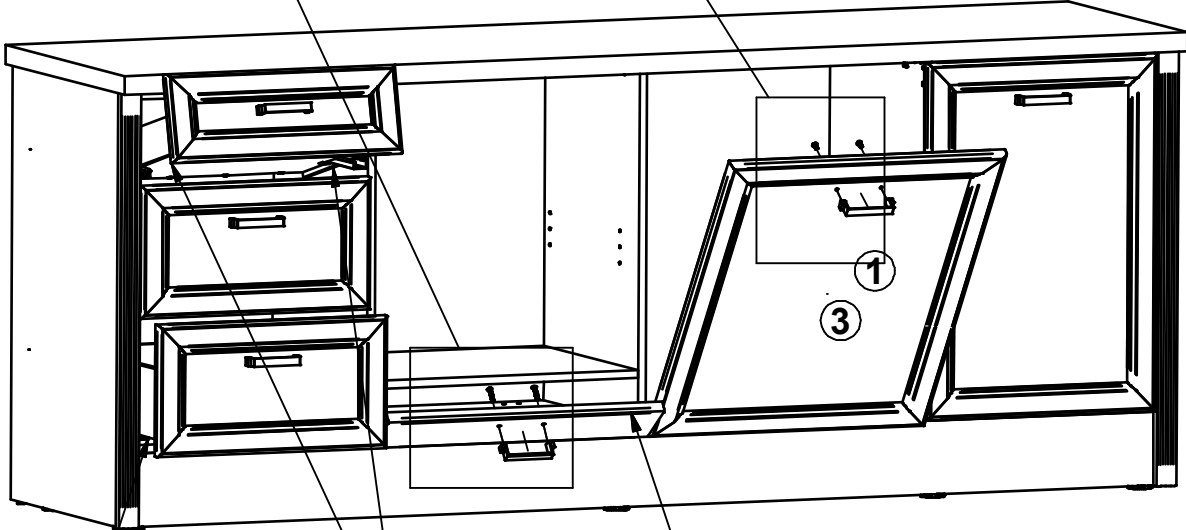
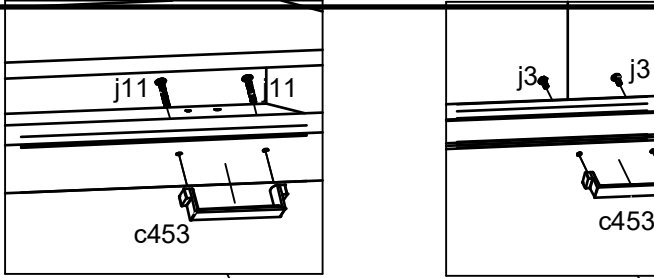


# 23B

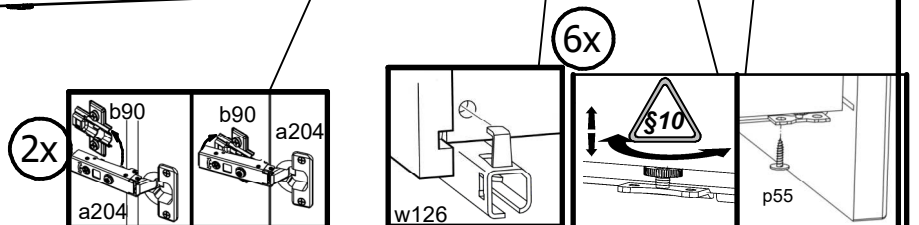
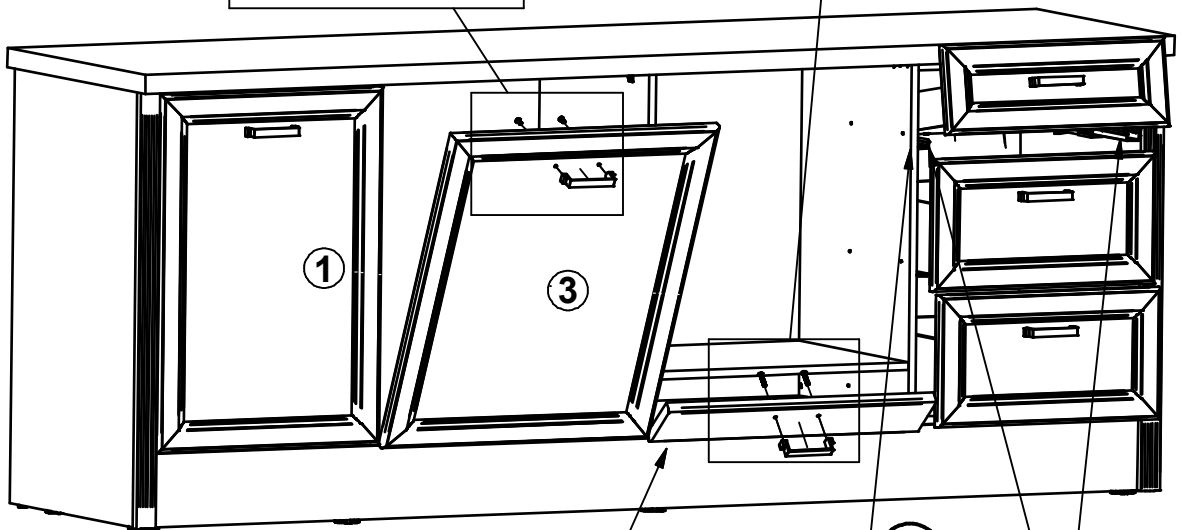
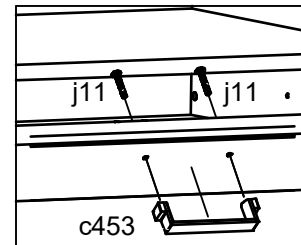
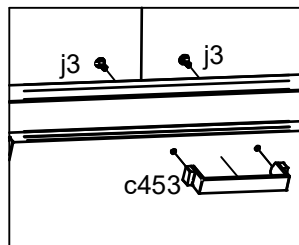


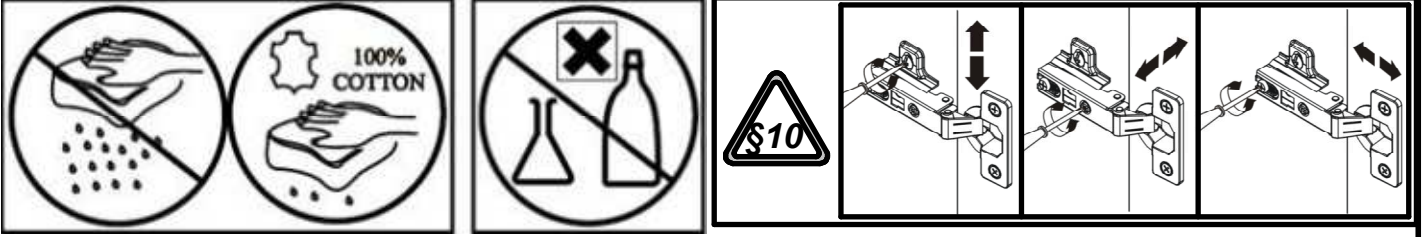
**24A****24B**

# 25A



# 25B



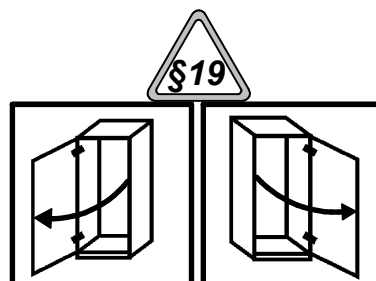
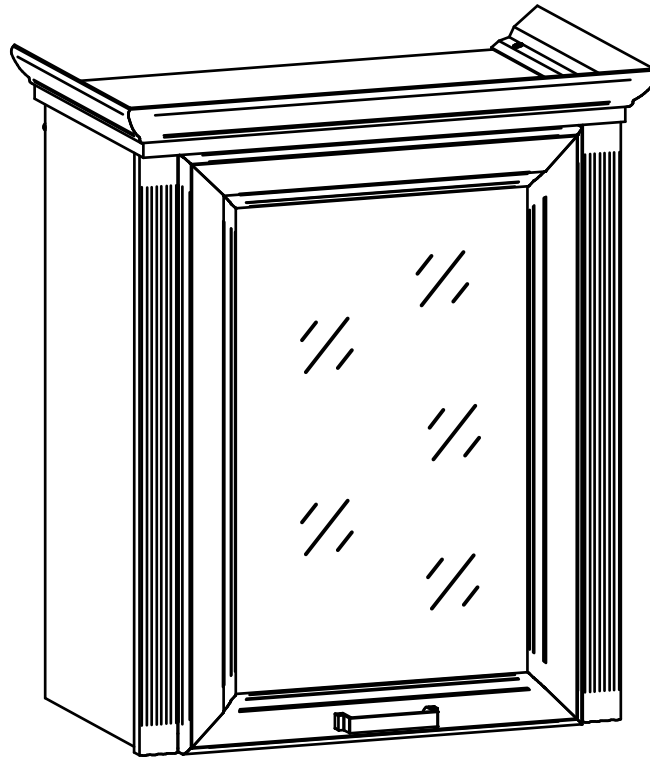
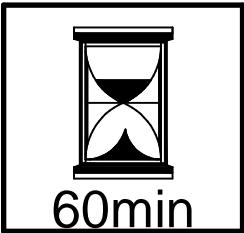
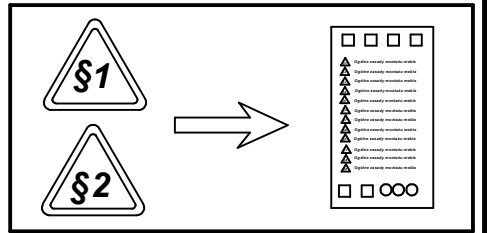
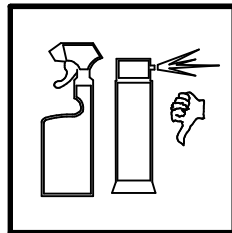
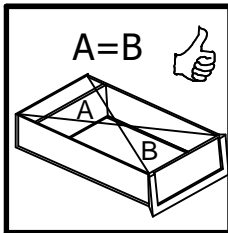
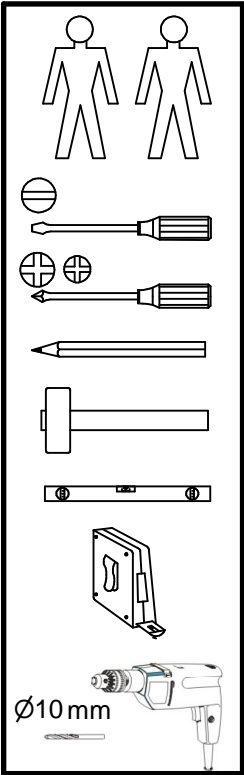
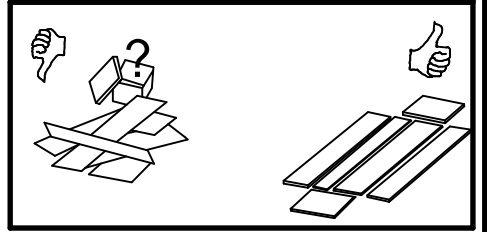
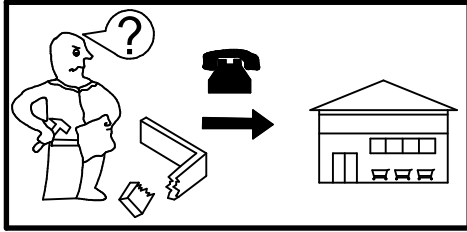
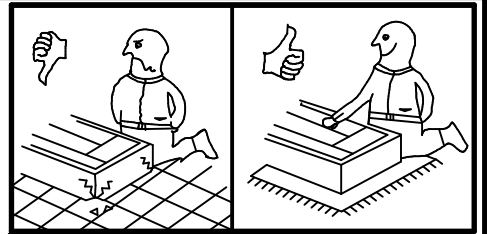
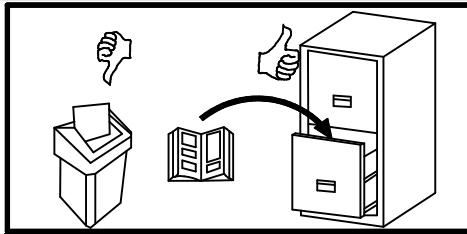


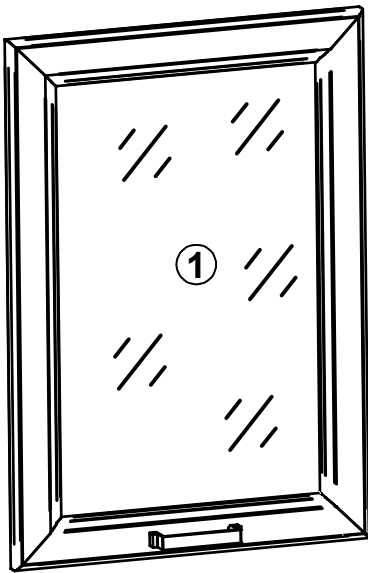
A

S538-SFW1W

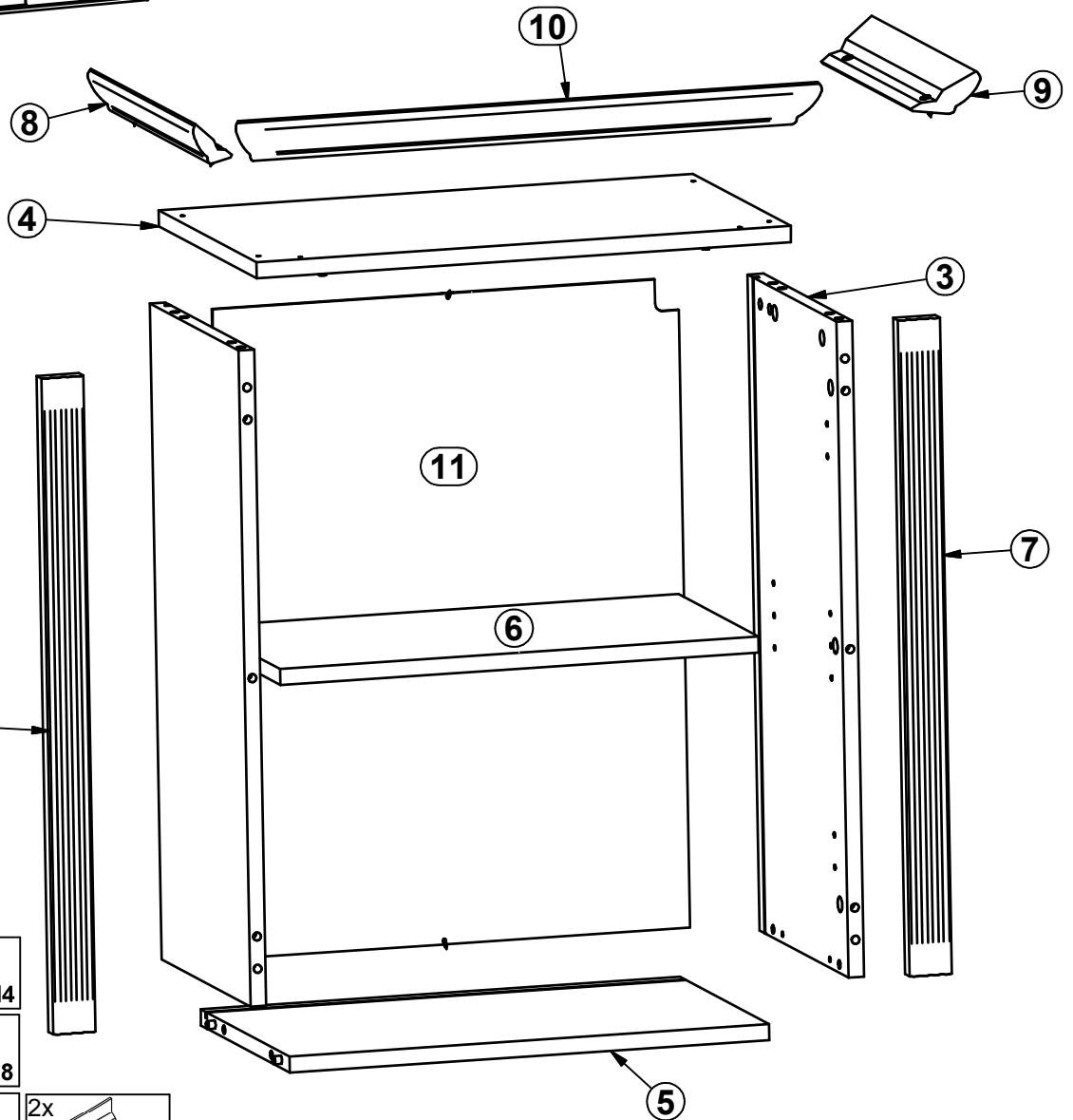
84-881---, 84-882---

1 / 12





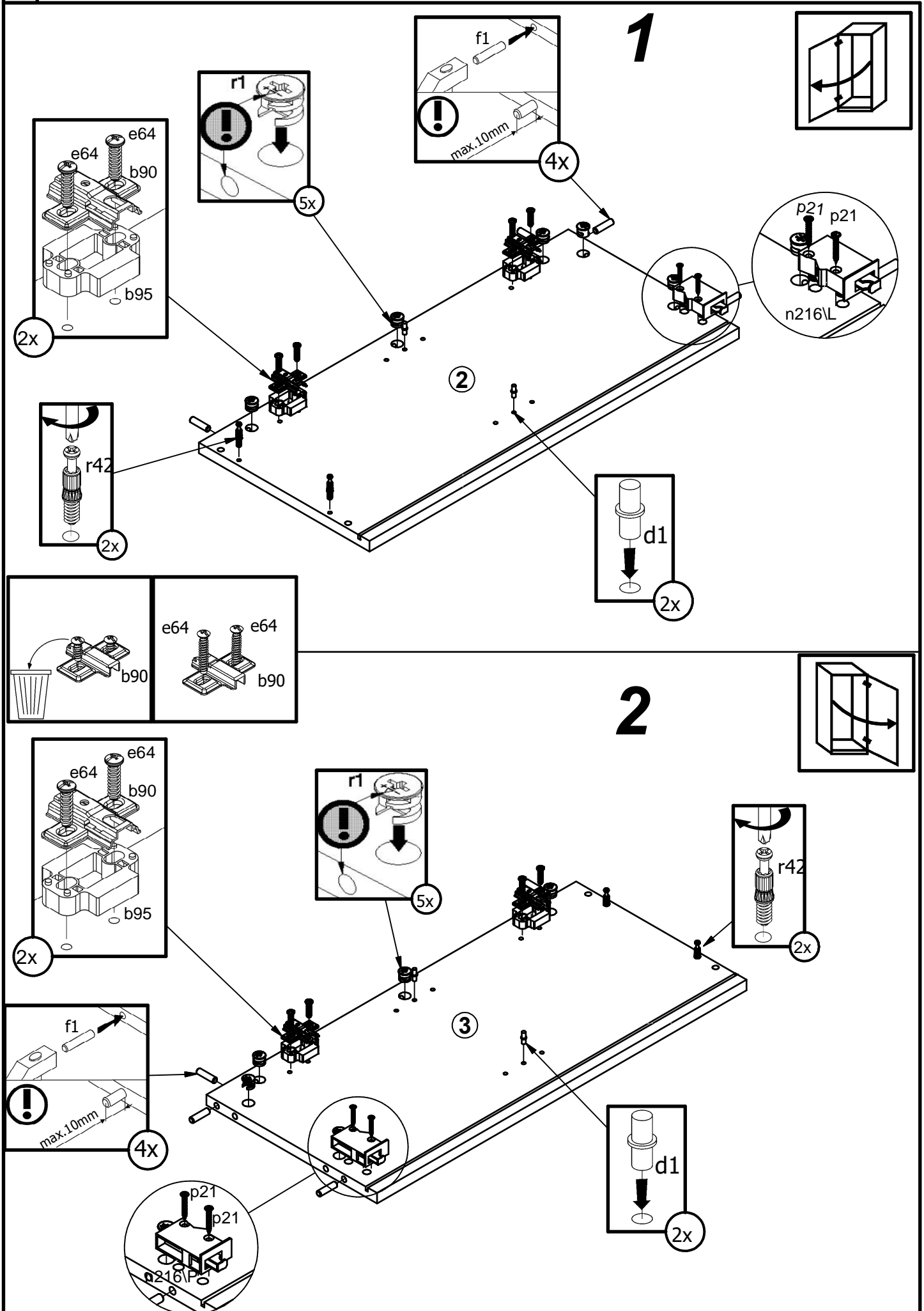
A	B	C1	C2	C3	D
1	S538-0005	647	451	22	1\1
2	S538-1008	650	300	16	1\1
3	S538-1009	650	300	16	1\1
4	S538-2004	545	330	16	1\1
5	S538-3006	489	300	16	1\1
6	S538-3007	488	270	16	1\1
7	S538-5004	650	43	19	1\1
8	S538-5801	356	67	22	1\1
9	S538-5802	356	67	22	1\1
10	S538-5805	598	67	22	1\1
11	S538-9003	644	499	2,5	1\1



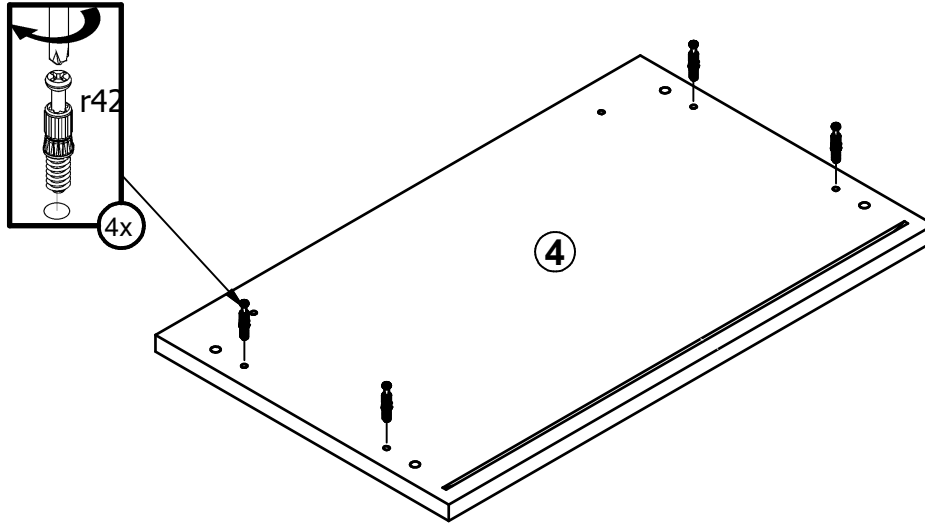
- 14x r42
- 14x r1  
Ø15x12 mm #16
- 4x p51  
Ø3,5x15 mm
- 4x p21  
Ø4x30 mm
- 1x d4  
Ø6,3x15 mm
- 6x p20  
Ø3,5x20 mm
- 14x s68  
Ø20mm
- 1x n216/P
- 1x n216/L
- 2x n217
- 12x f1  
Ø8x30 mm
- 2x j6  
M4x30 mm
- 4x l2
- 1x c453
- 4x d1  
Ø5x17 mm
- 4x e64  
Ø6x26 mm
- 2x a203
- 2x b90
- 2x b95  
h=11 mm

- 4x p17  
Ø5x60 mm
- 4x f35  
Ø10x50 mm

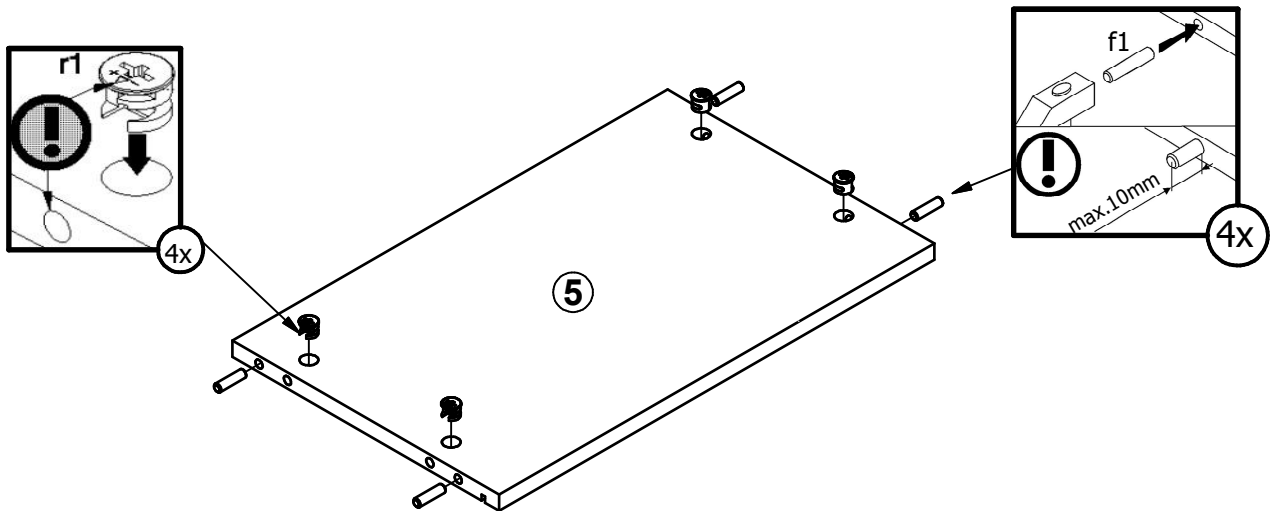




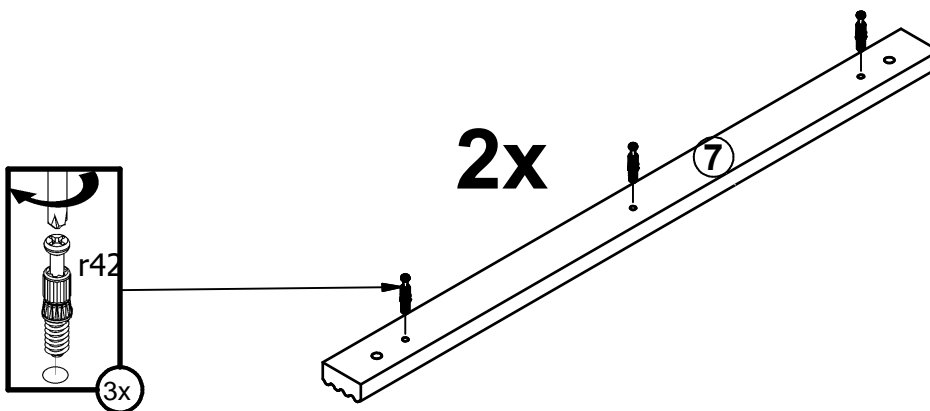
3



4

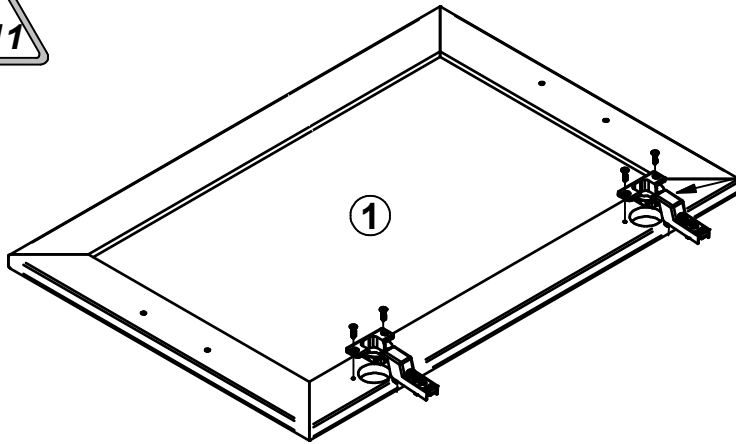


5

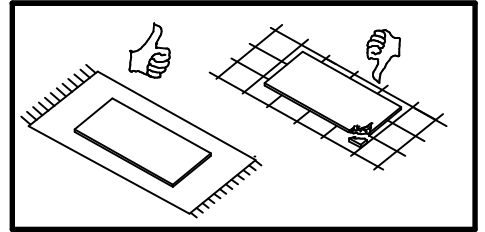




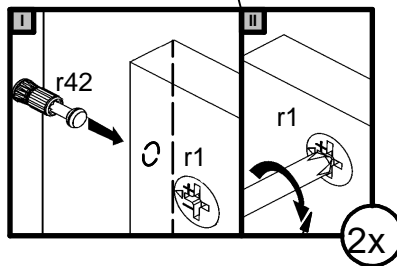
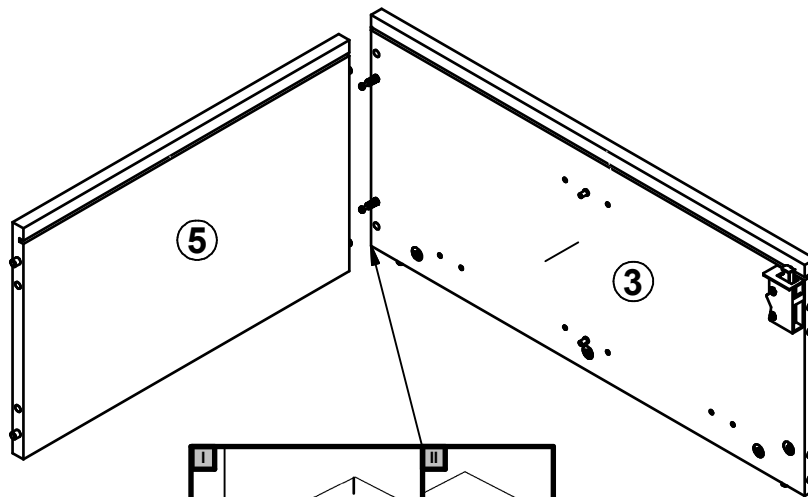
6



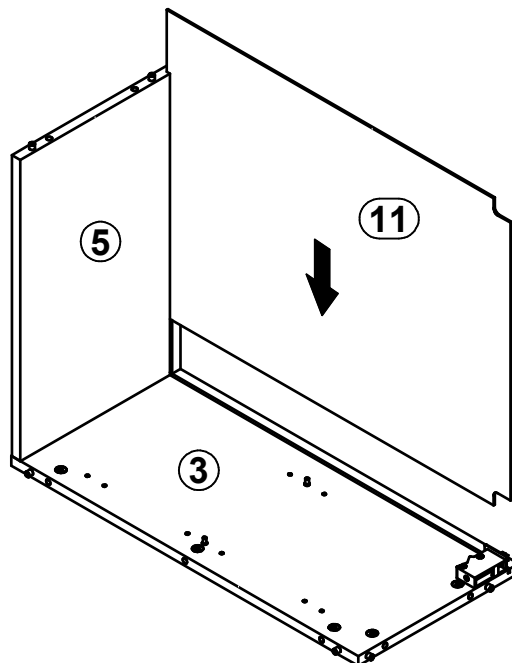
2x



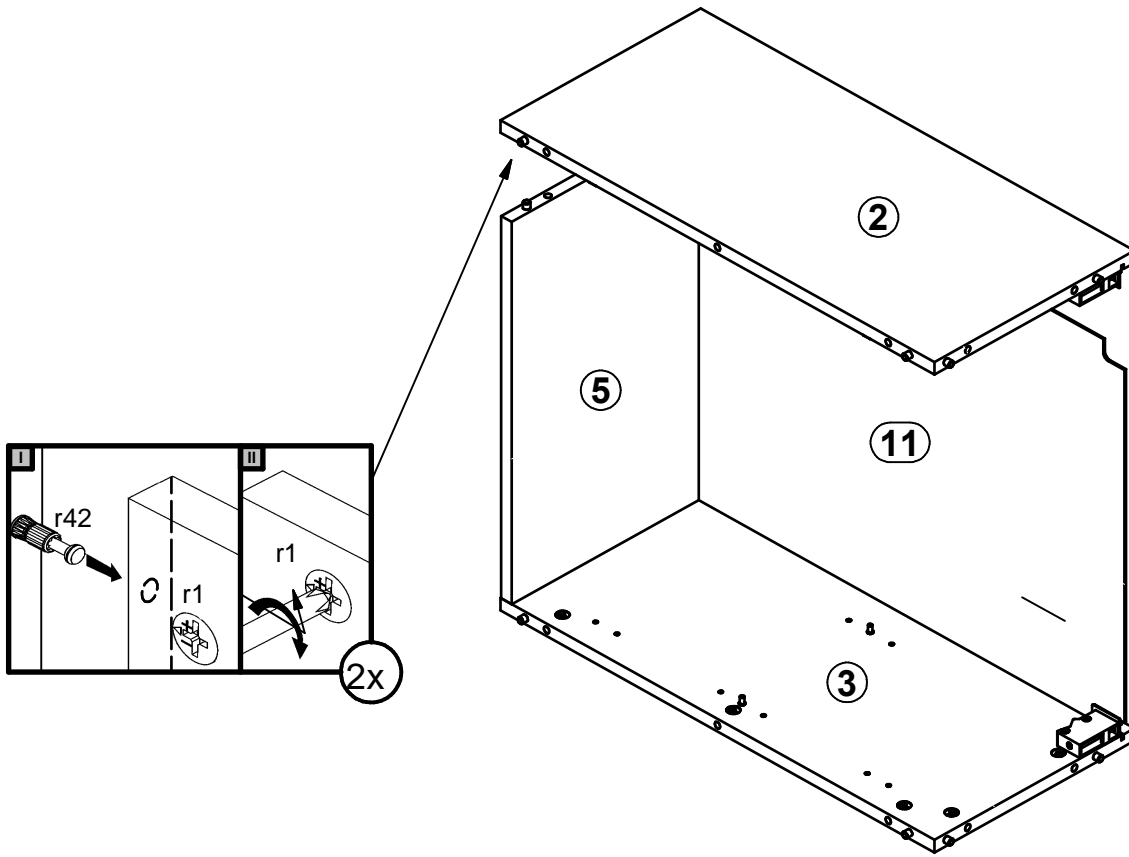
7



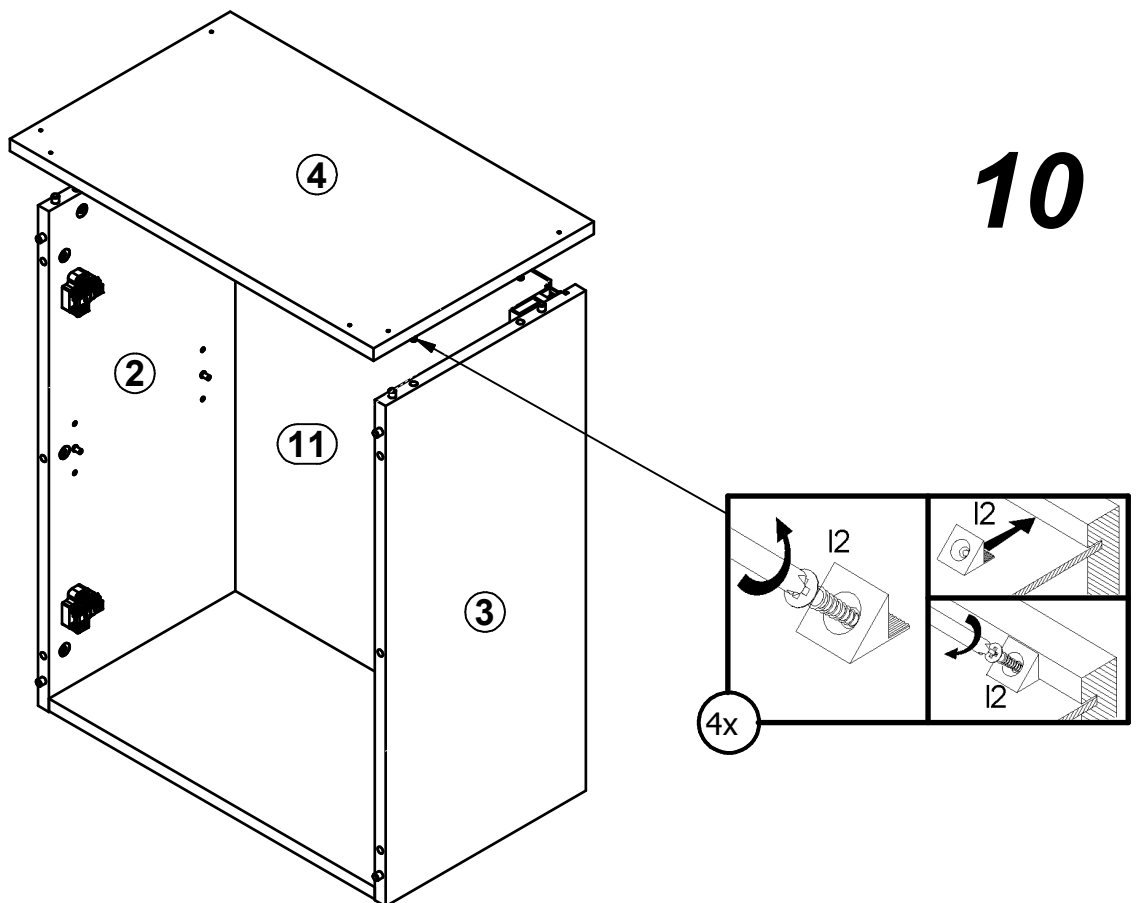
8

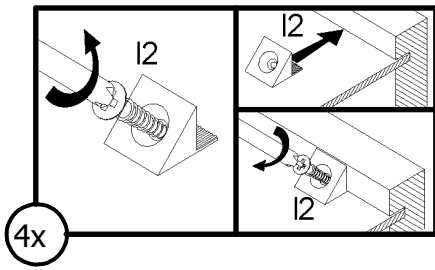


9

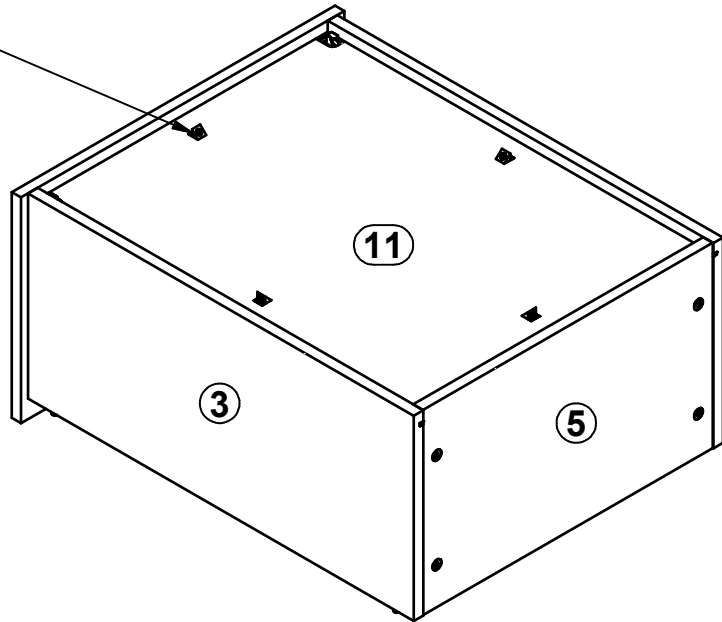


10

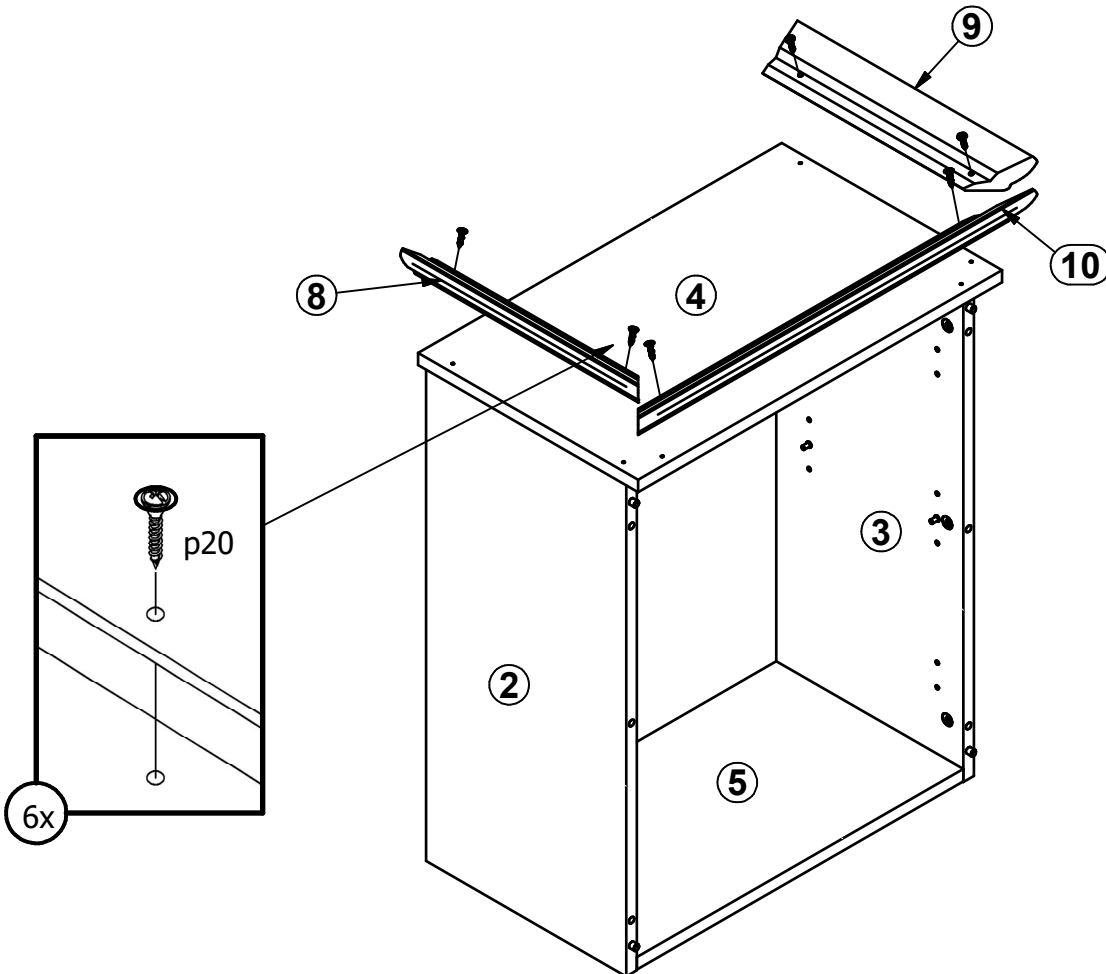




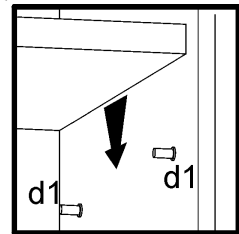
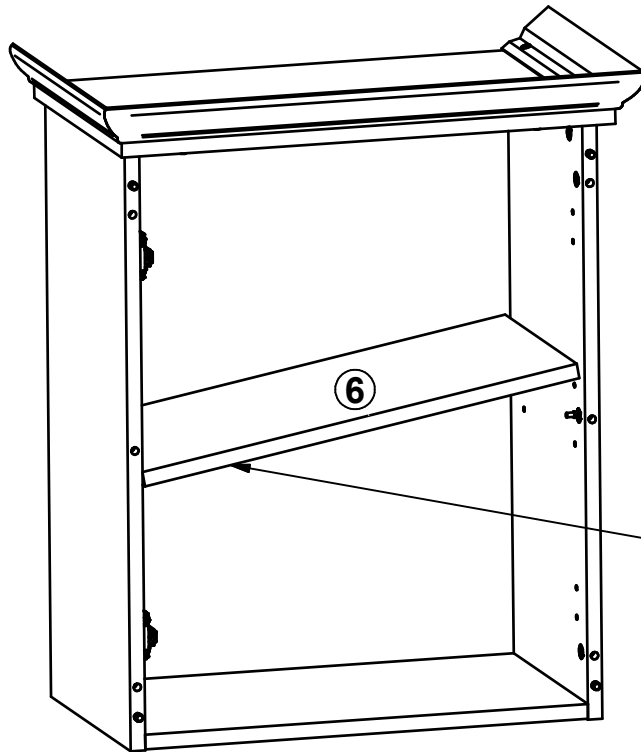
11



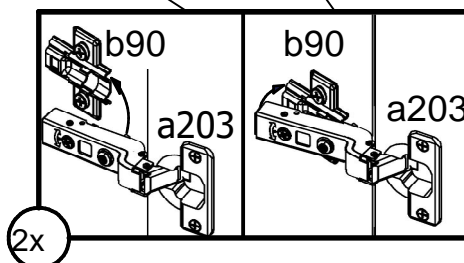
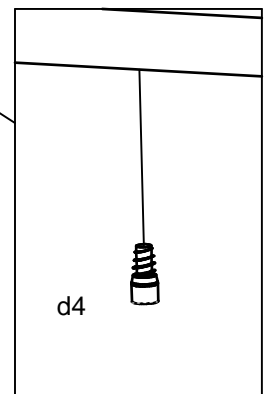
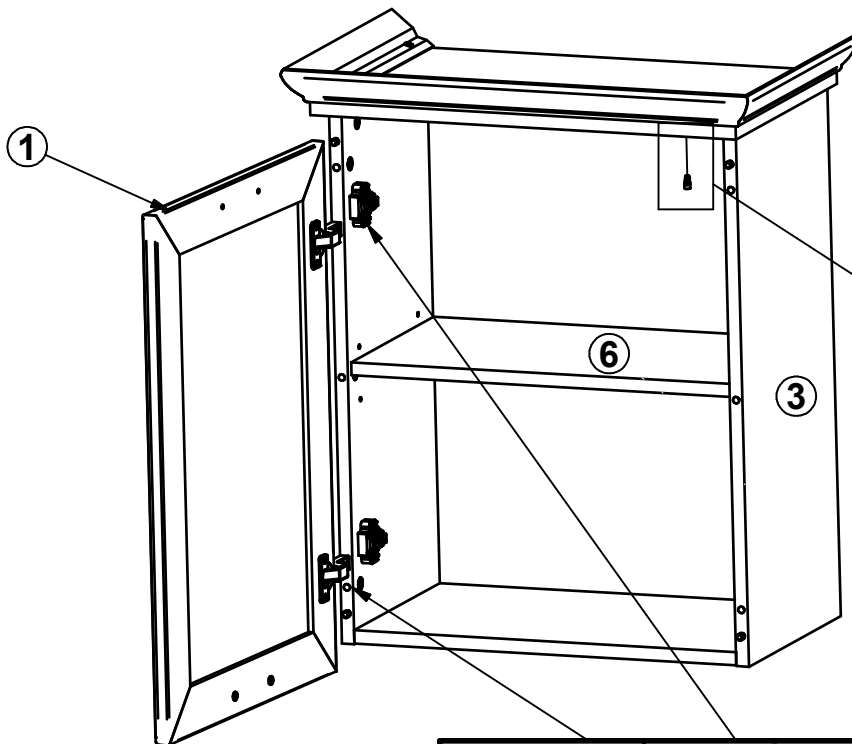
12



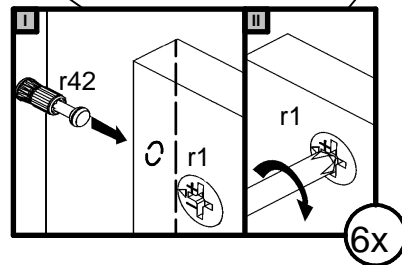
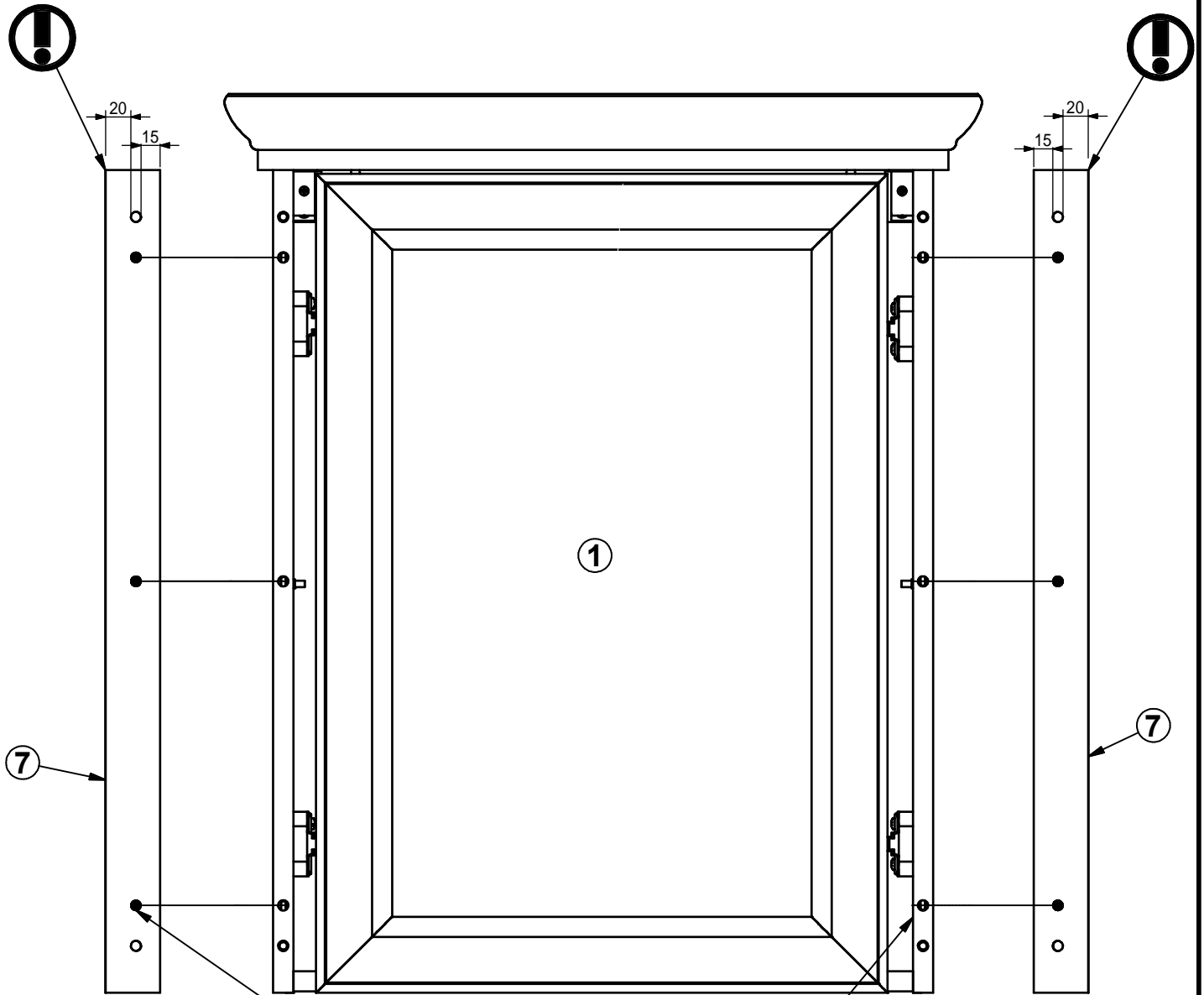
# 13

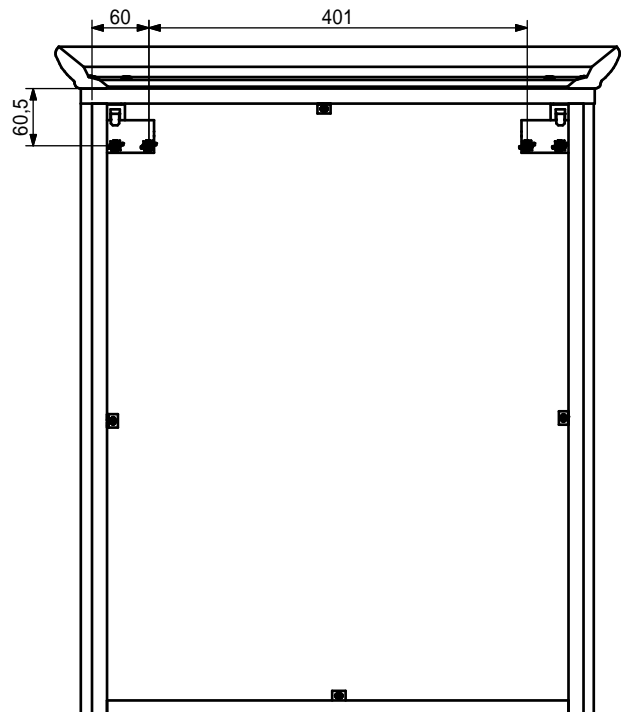
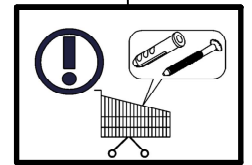
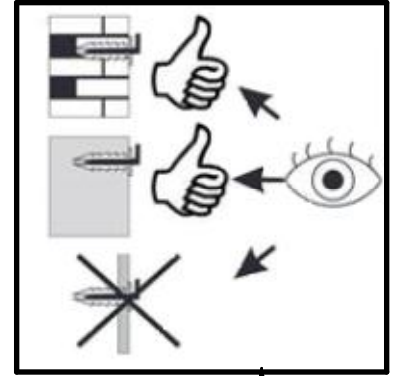
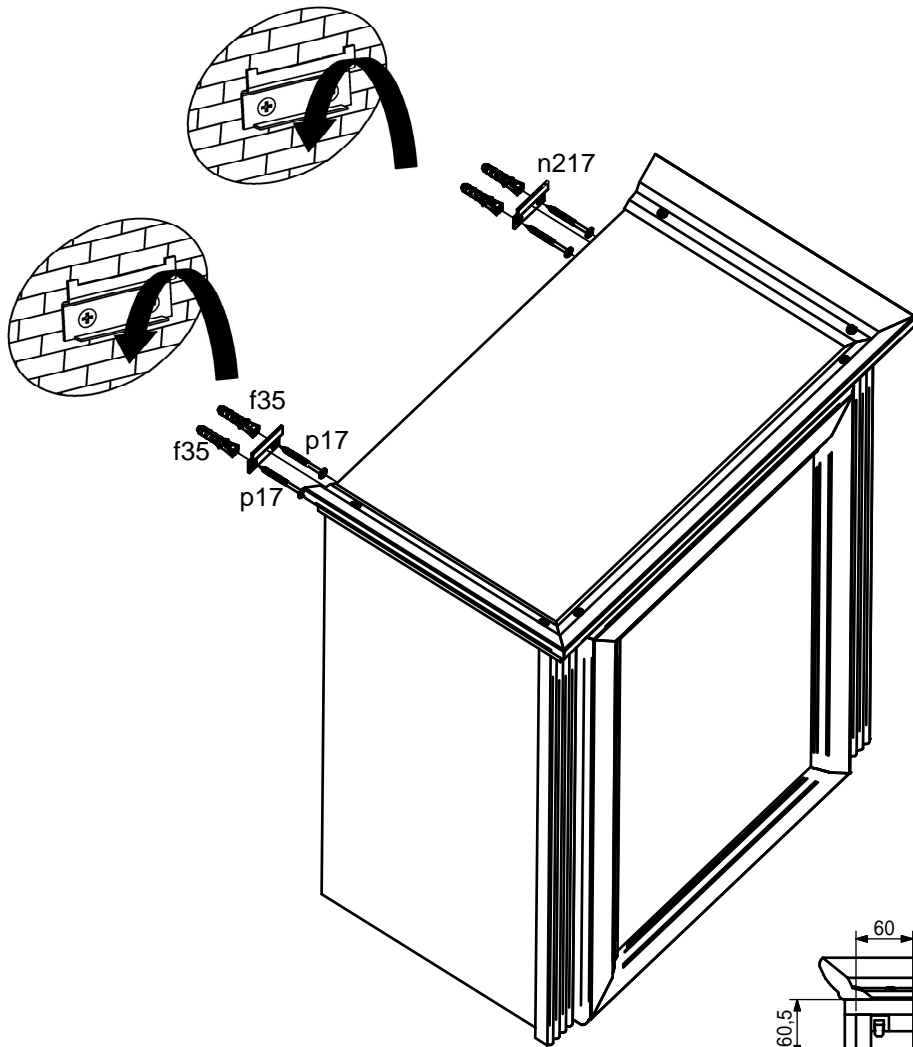
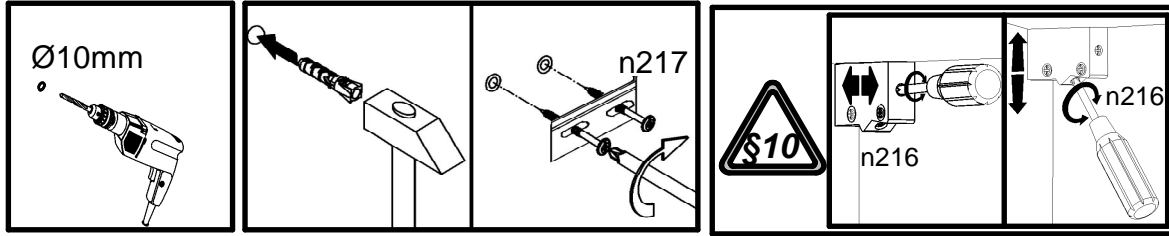


# 14

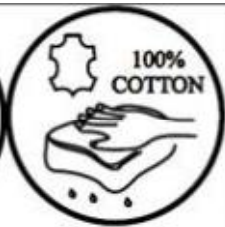
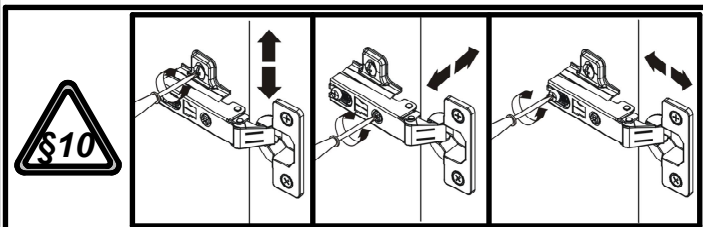
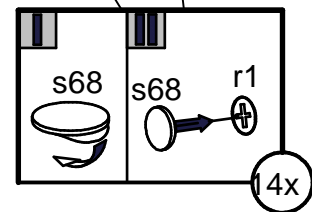
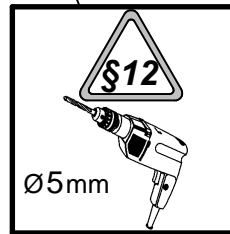
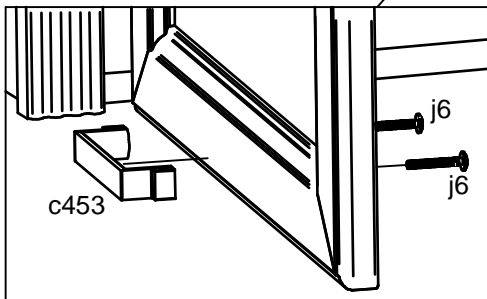
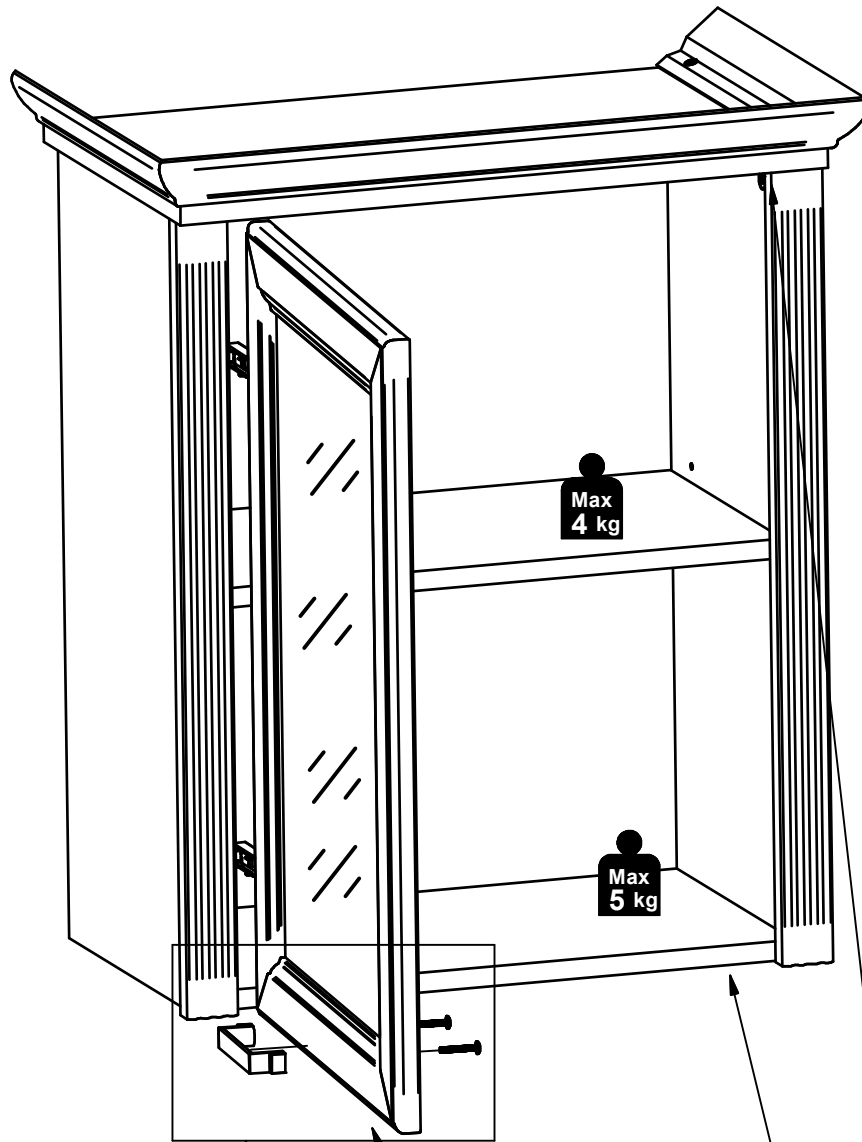


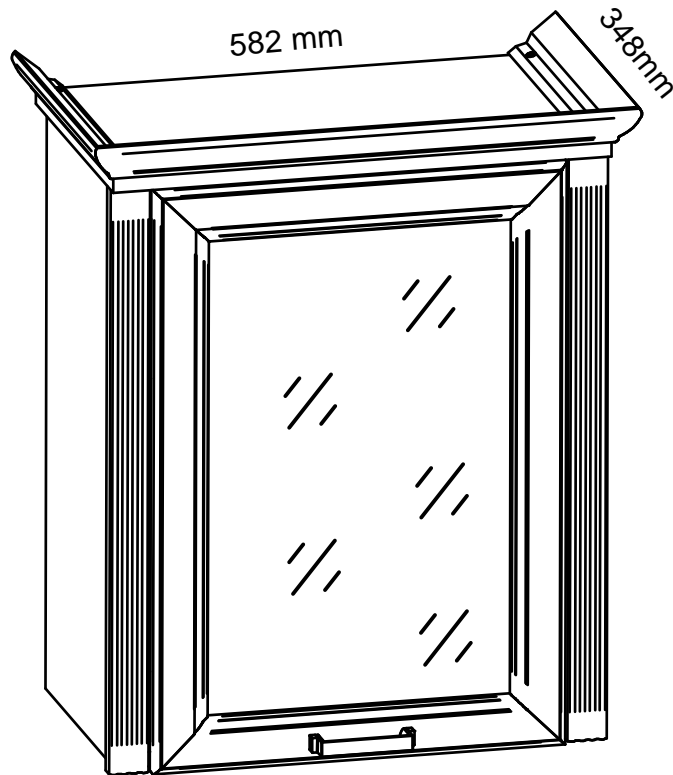
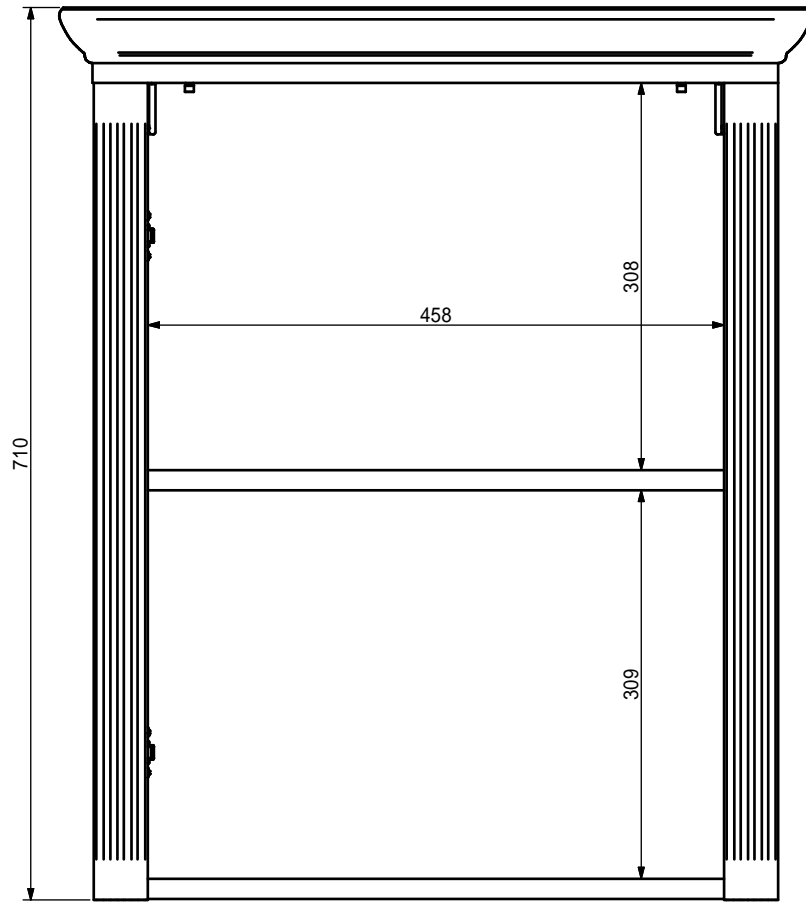
15



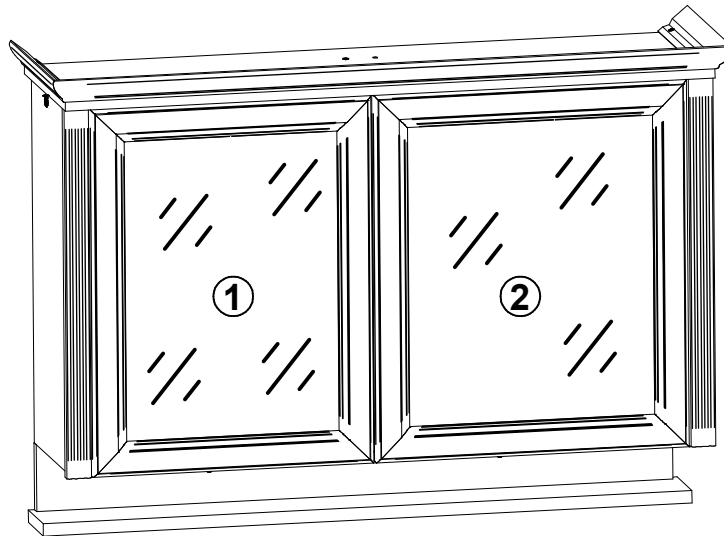
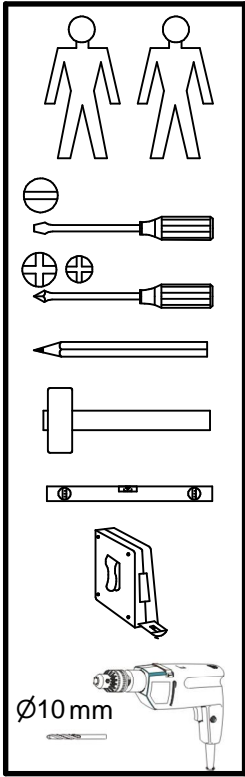
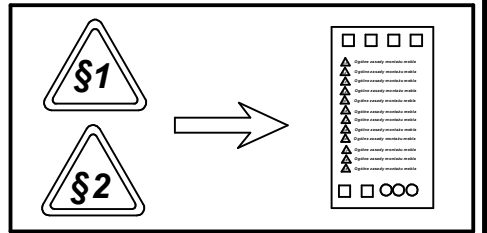
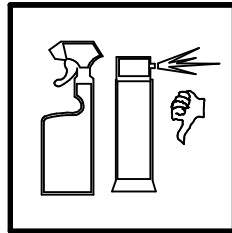
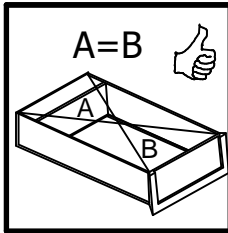
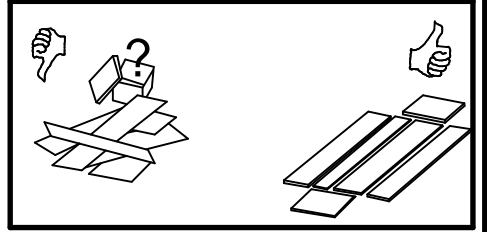
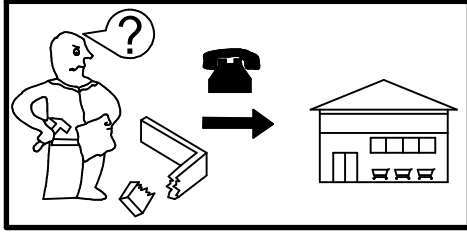
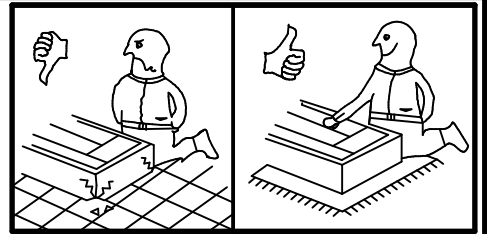
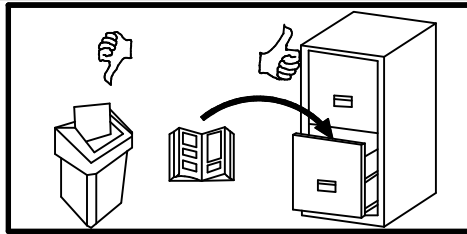


# 17

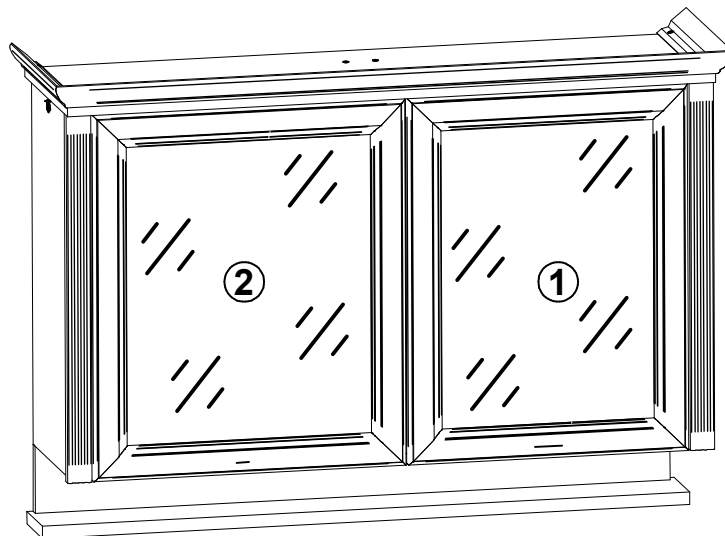
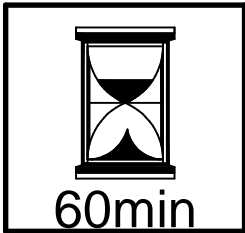






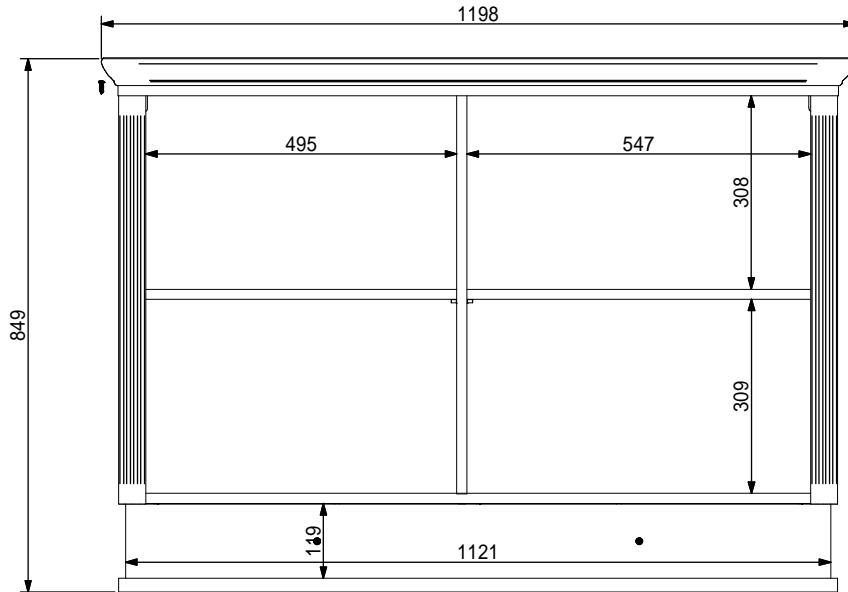


A

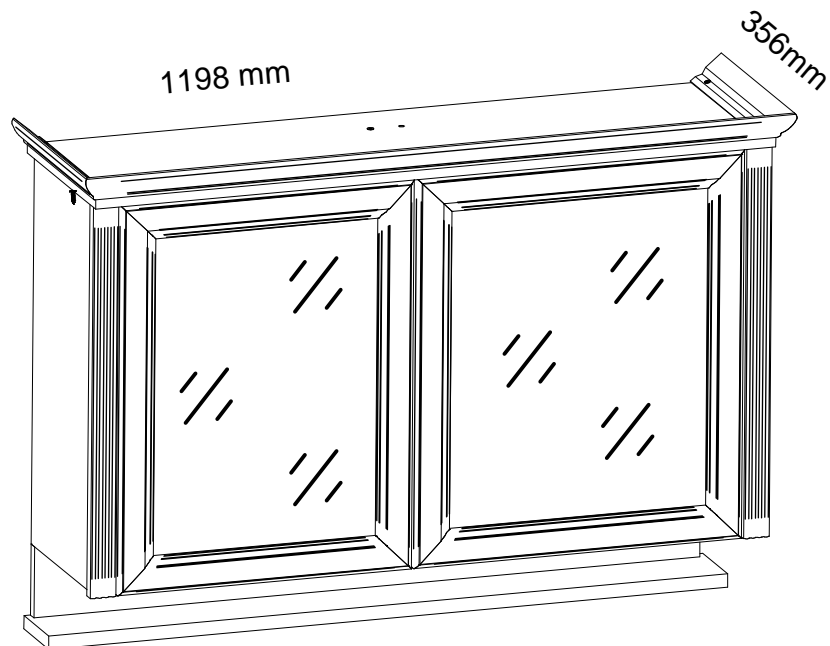
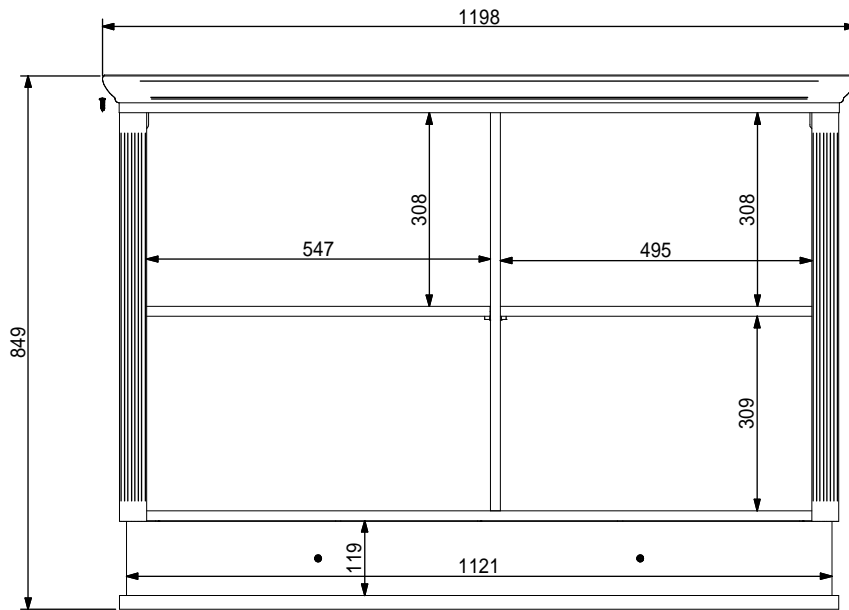


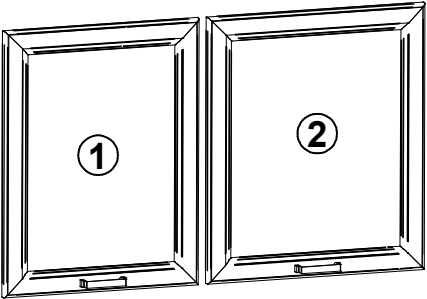
B

A

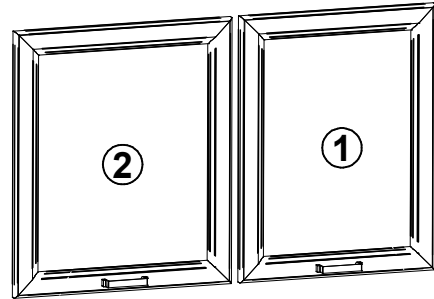


B



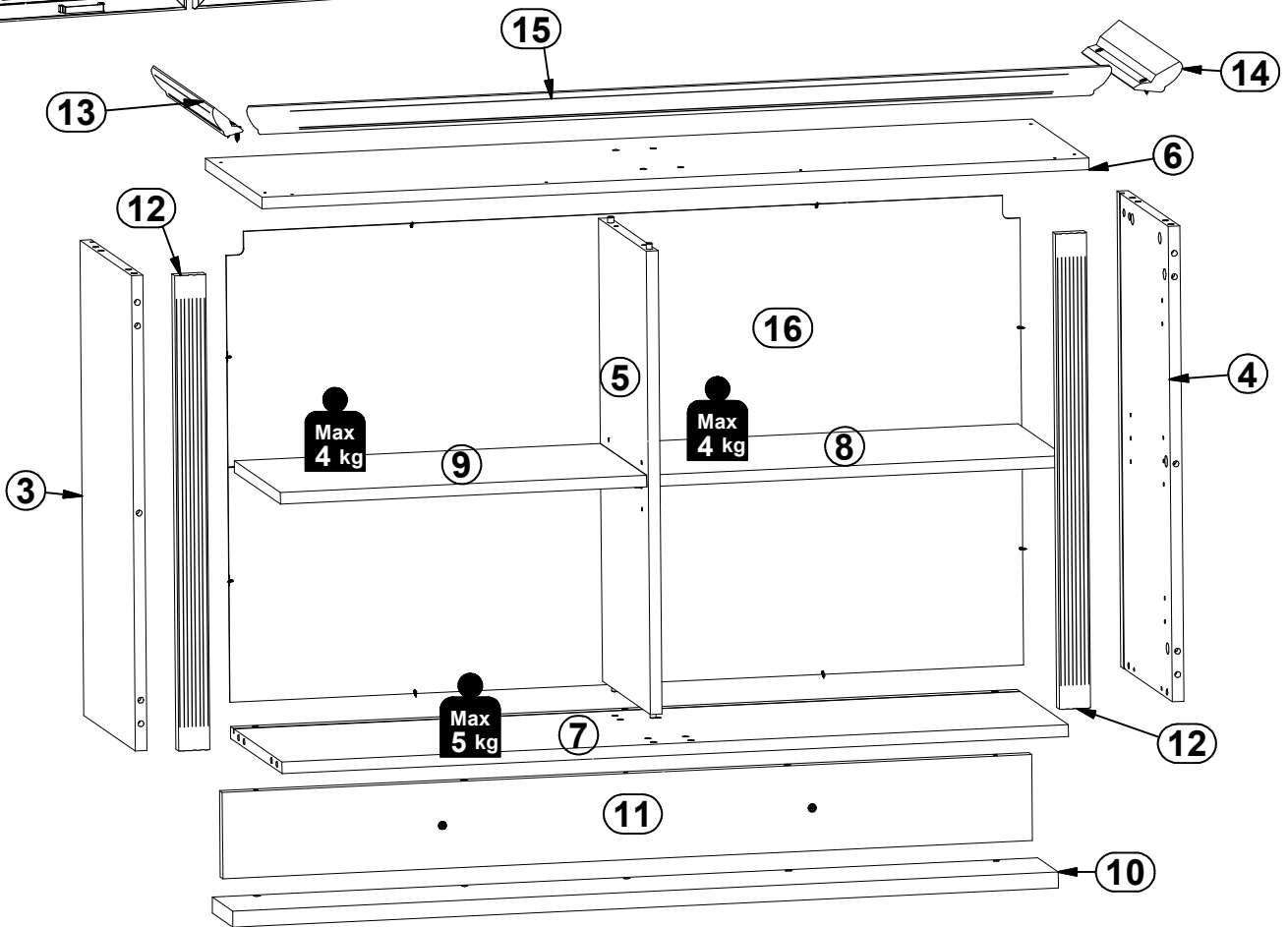


A



B

A	B	C1	C2	C3	D
1	S538-0006	647	495	22	212
2	S538-0007	647	552	22	212
3	S538-1008	650	300	16	212
4	S538-1009	650	300	16	212
5	S538-1012	633,5	280	16	212
6	S538-2005	1145	330	16	112
7	S538-3008	1089	300	16	112
8	S538-3009	562	270	16	112
9	S538-3010	510	270	16	112
10	S538-3021	1143	120	22	112
11	S538-4502	1121	118	16	112
12	S538-5004	650	43	19	112
13	S538-5801	356	67	22	112
14	S538-5802	356	67	22	112
15	S538-5806	1198	67	22	112
16	S538-9301	643	1099	2,5	112



14x s68  $\varnothing 20\text{mm}$   
 10x s59  $\varnothing 12 \times 0,5\text{mm}$

6x e8  $\varnothing 7 \times 60\text{mm}$   
 8x p20  $\varnothing 3,5 \times 20\text{mm}$   
 8x l2  
 6x p55  $\varnothing 2,9 \times 16\text{mm}$   
 1x z1

8x d1  $\varnothing 5 \times 17\text{mm}$   
 14x r42  $\varnothing 20 \times 11$   
 4x e1  $\varnothing 7 \times 50\text{mm}$   
 4x a203  
 8x p51  $\varnothing 3,5 \times 15\text{mm}$

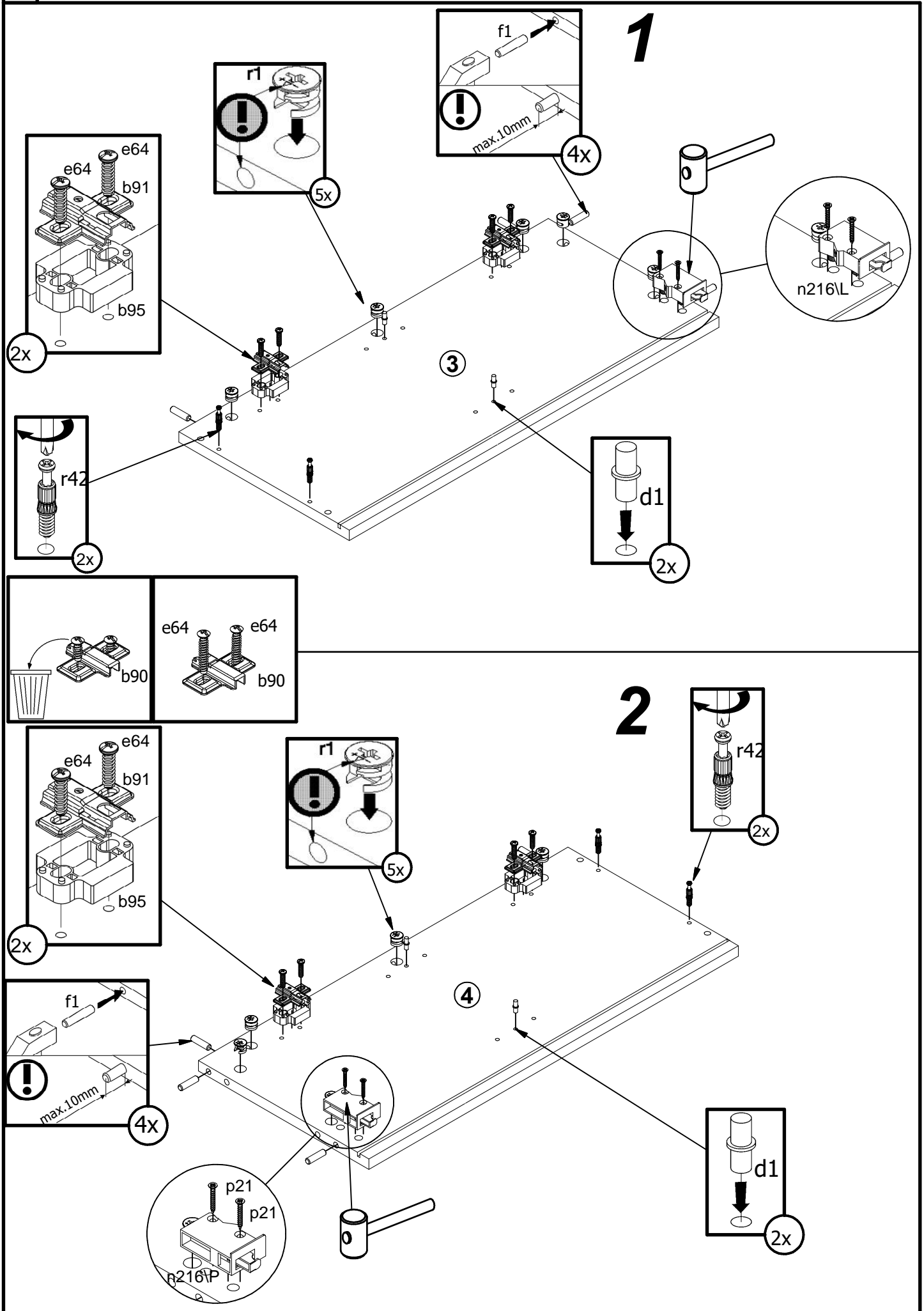
2x n217  
 14x r1  $\varnothing 15 \times 12\text{mm} \#16$   
 24x f1  $\varnothing 8 \times 30\text{mm}$   
 2x c453  
 4x j6  $M4 \times 30\text{mm}$

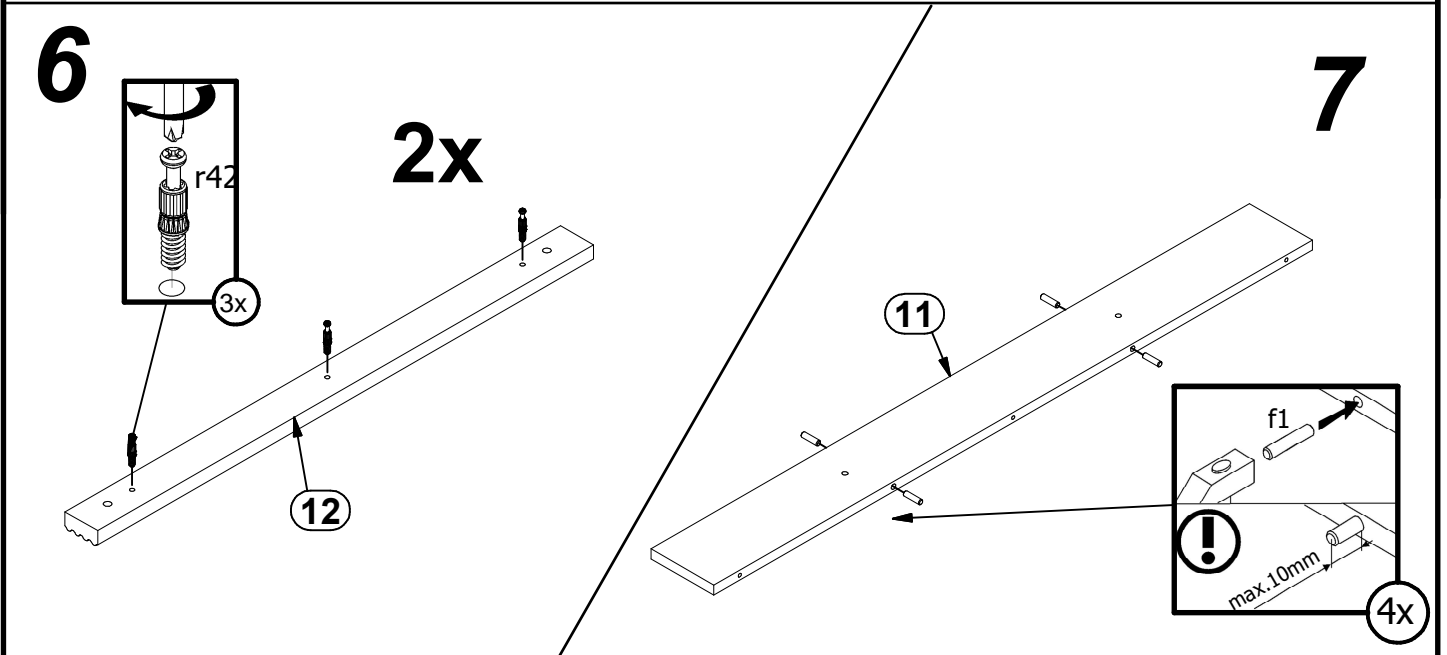
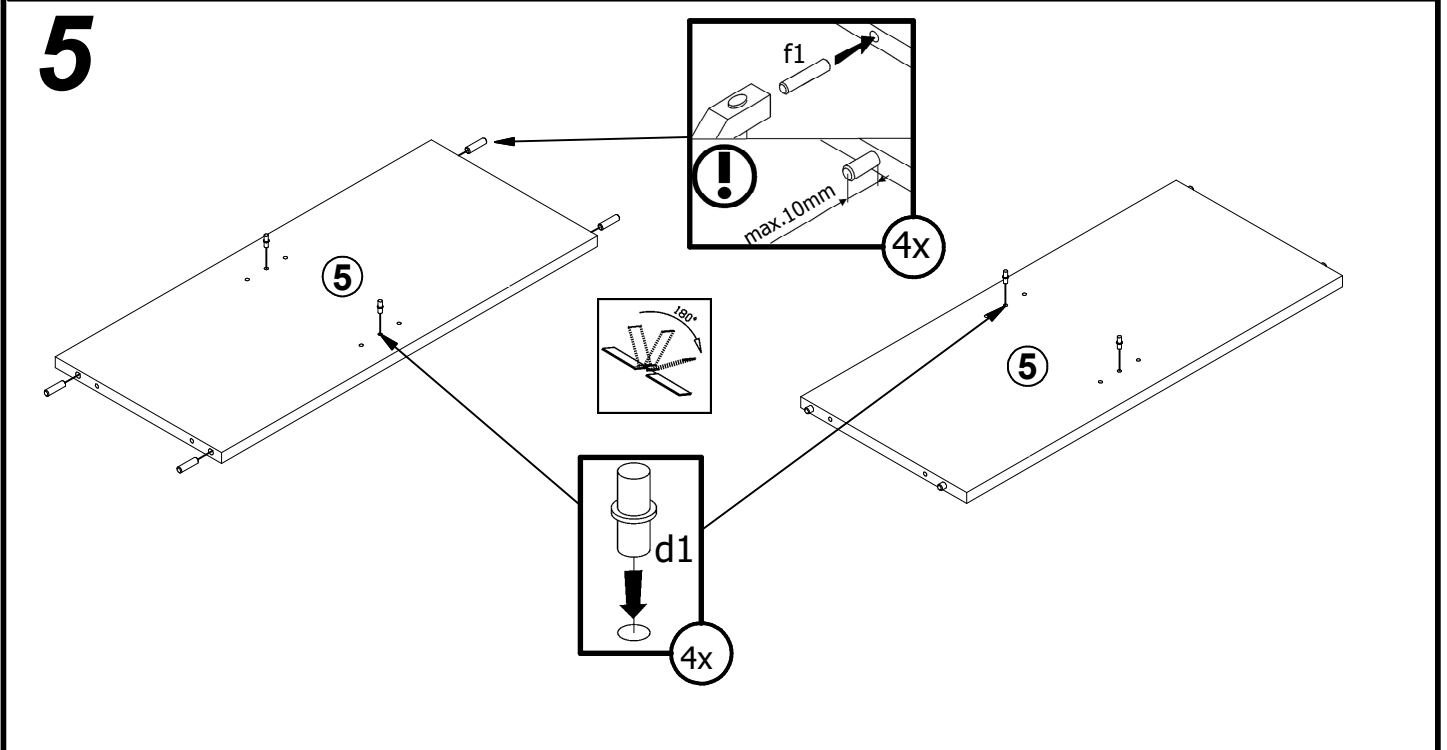
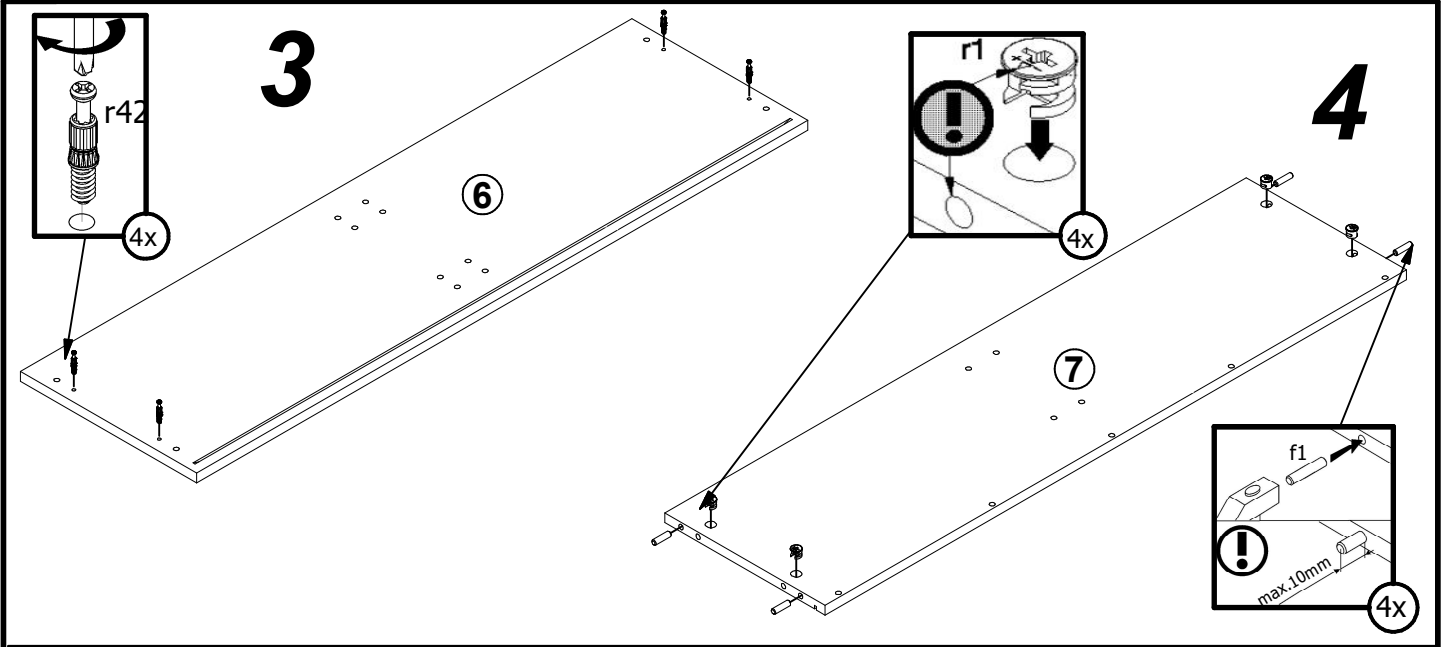
1x n216/P  
 1x n216/L  
 4x p21  $\varnothing 4 \times 30\text{mm}$

4x b90  
 4x b95  $h=11\text{mm}$   
 8x e64  $\varnothing 6 \times 26\text{mm}$

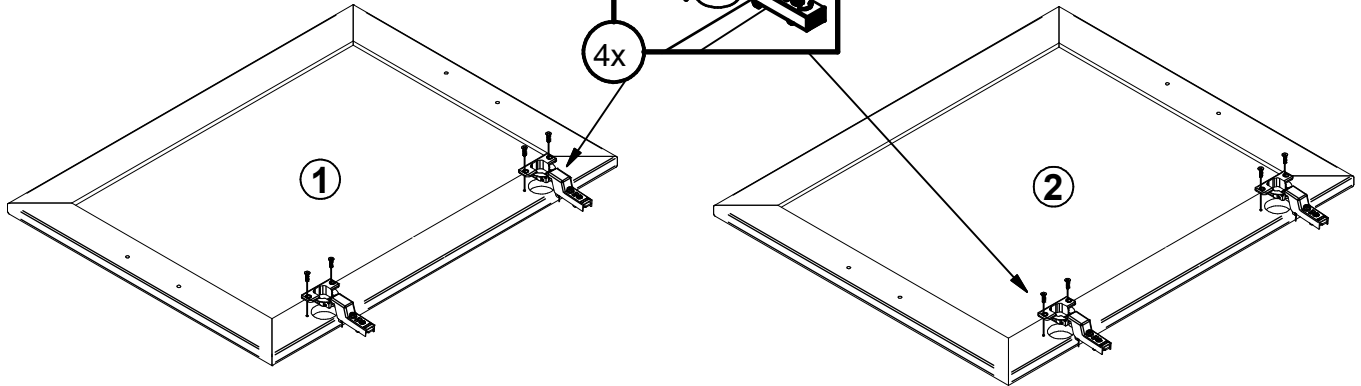
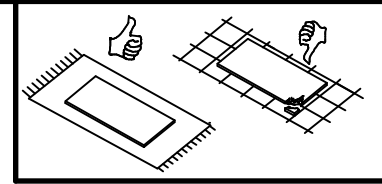
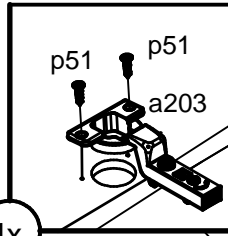
4x p17  $\varnothing 5 \times 60\text{mm}$   
 4x f35  $\varnothing 10 \times 50\text{mm}$



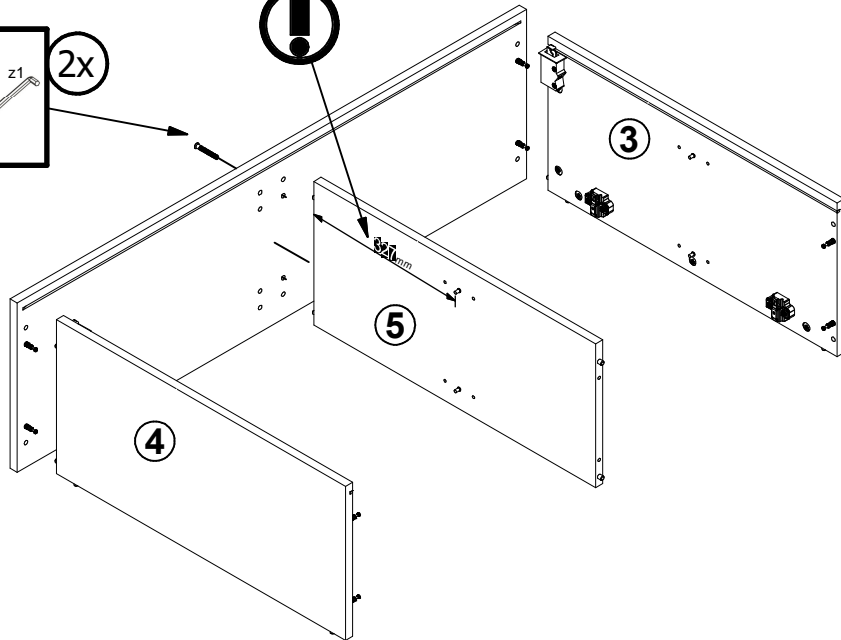
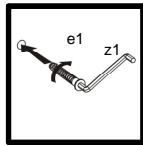




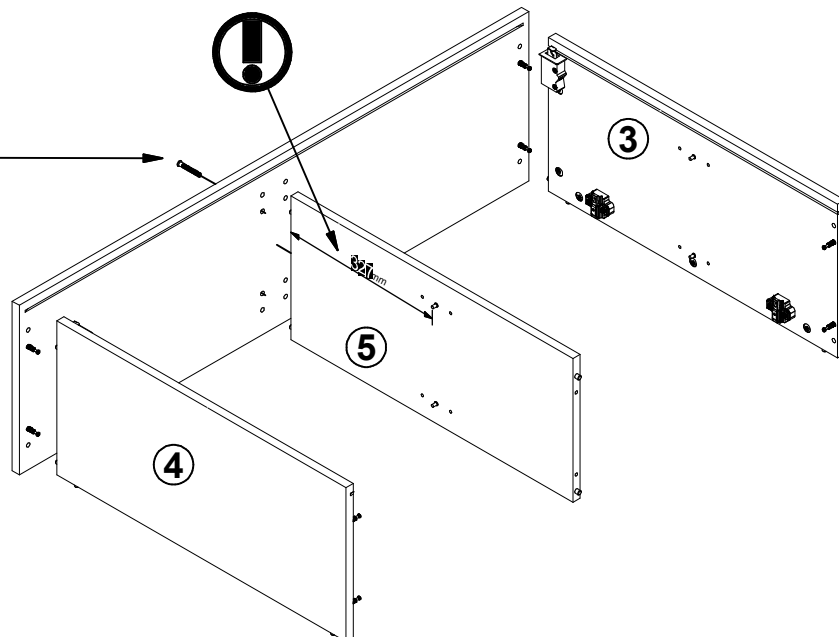
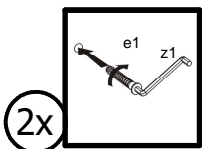
8



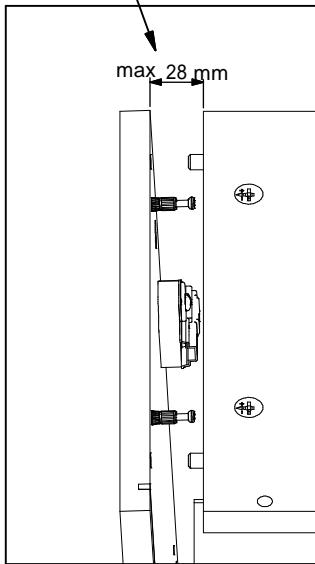
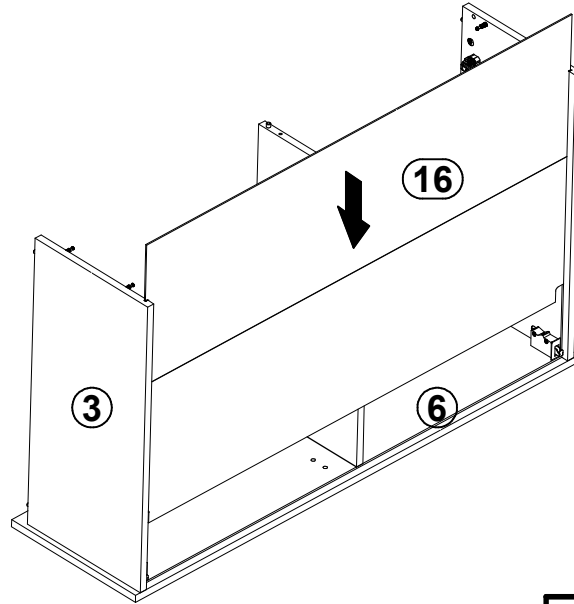
9 A



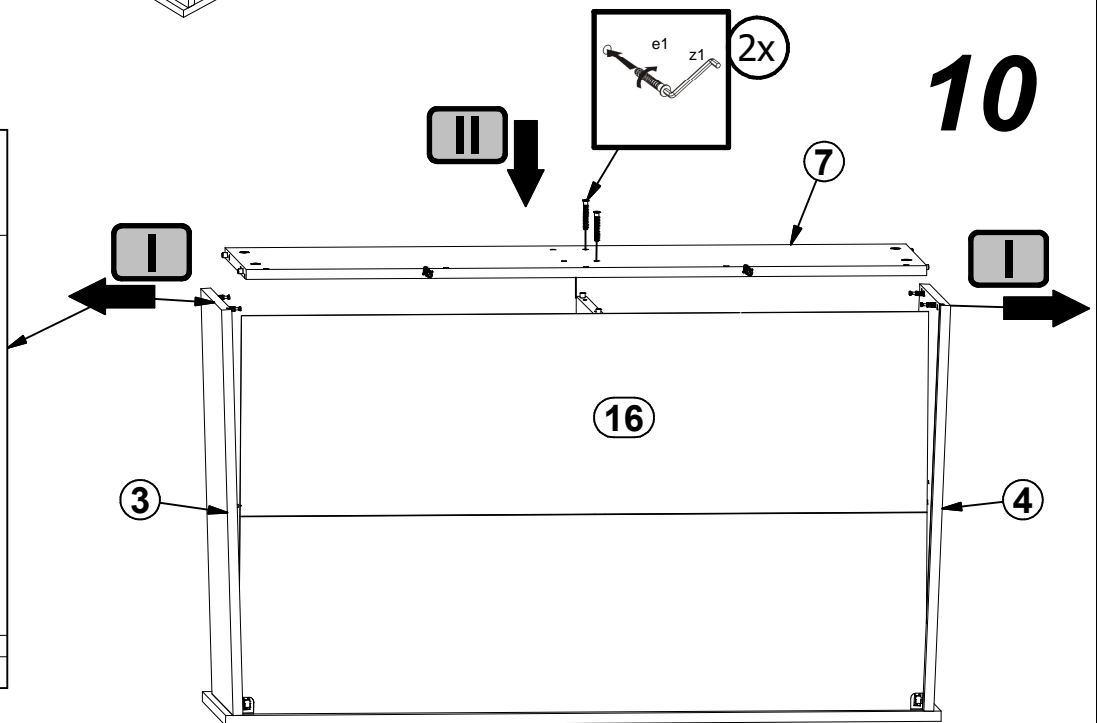
10 B



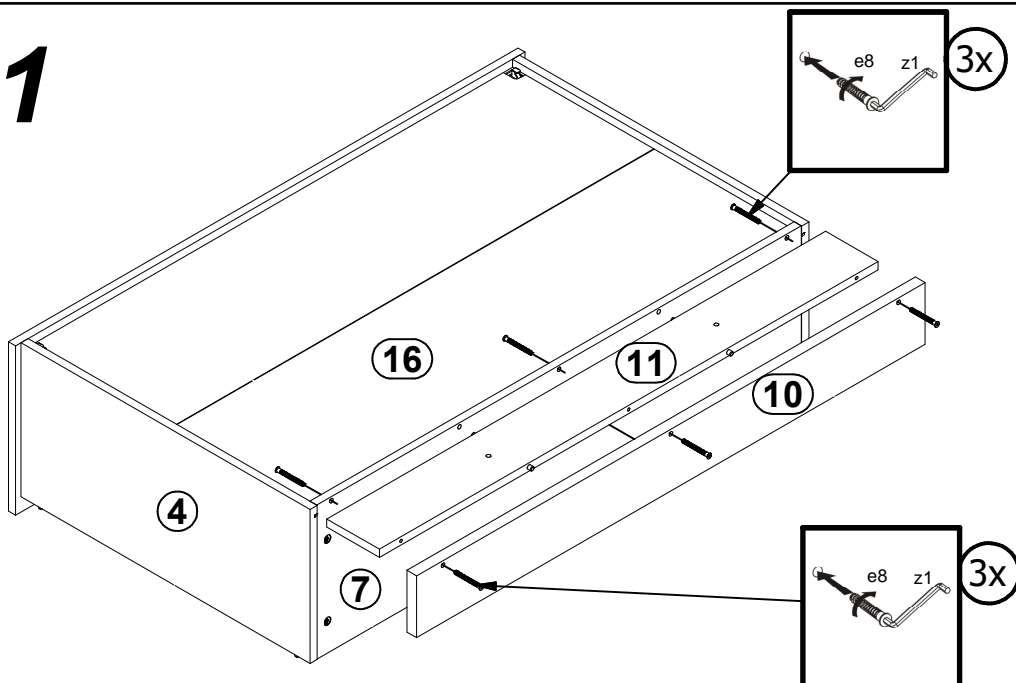
9



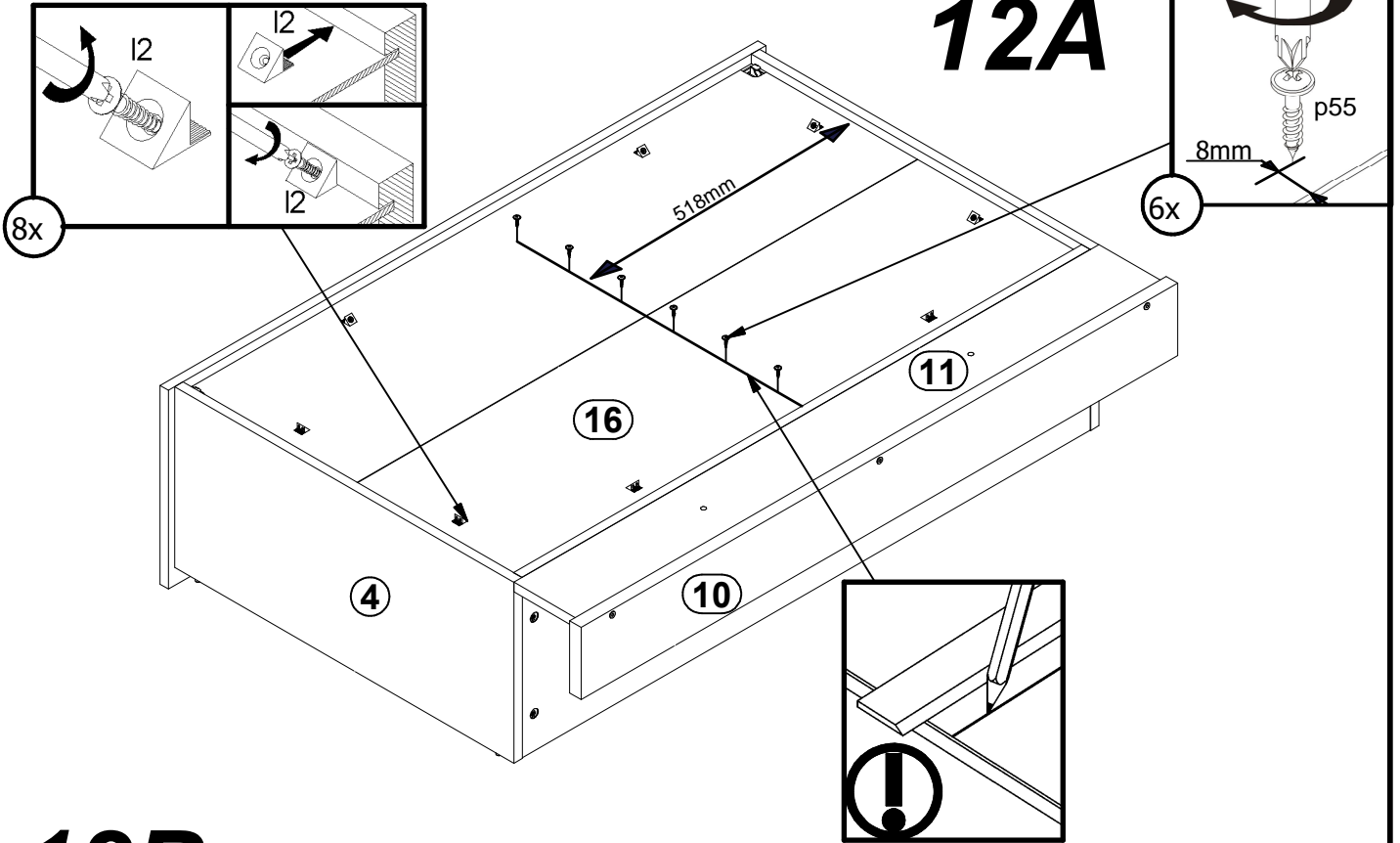
10



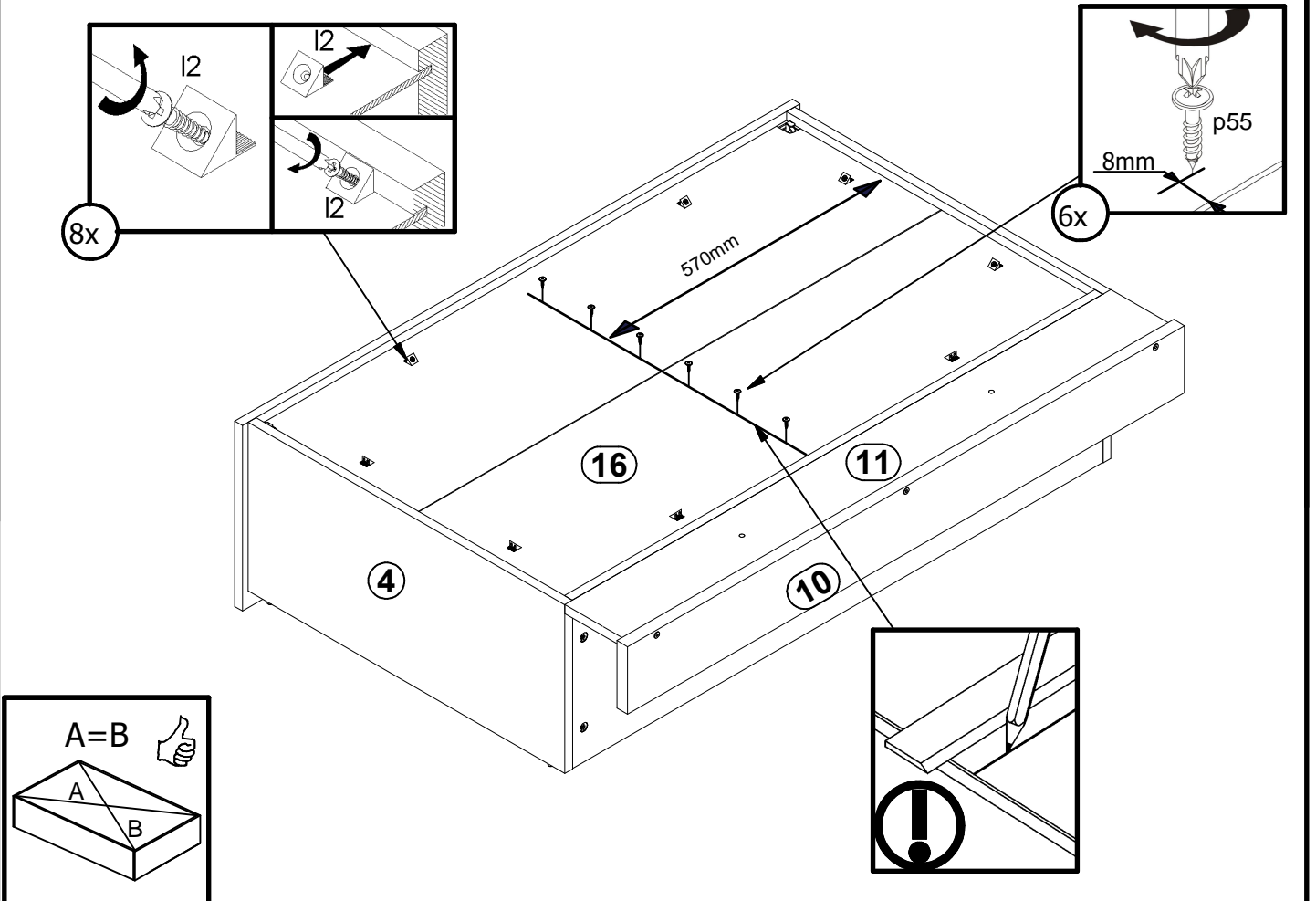
11



# 12A

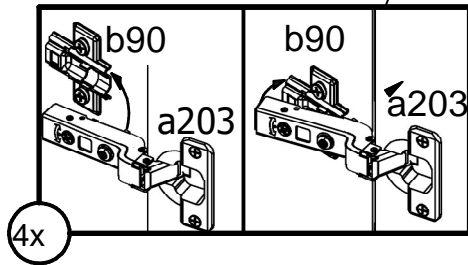
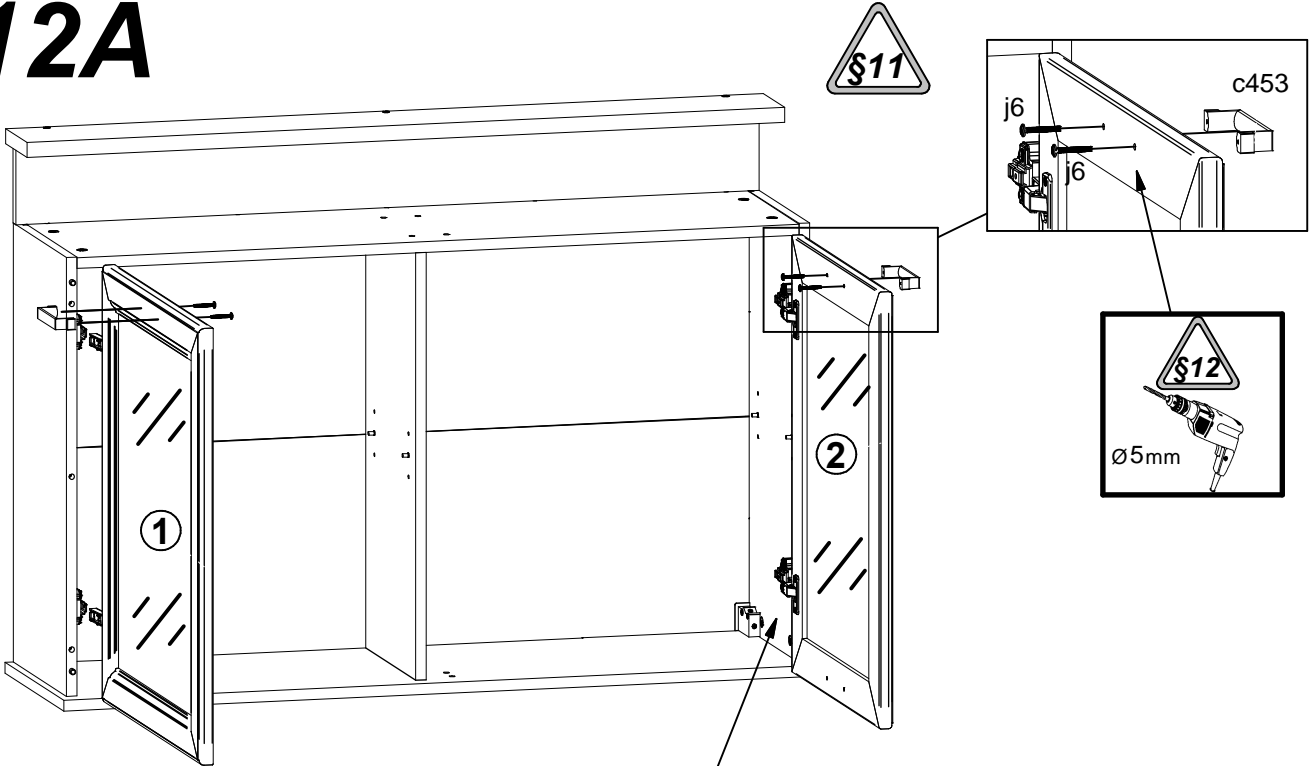


# 12B

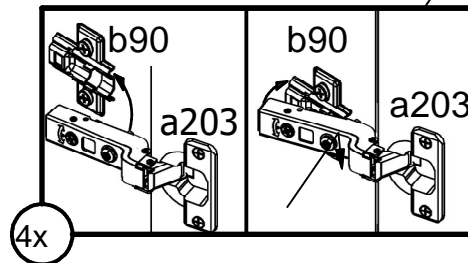
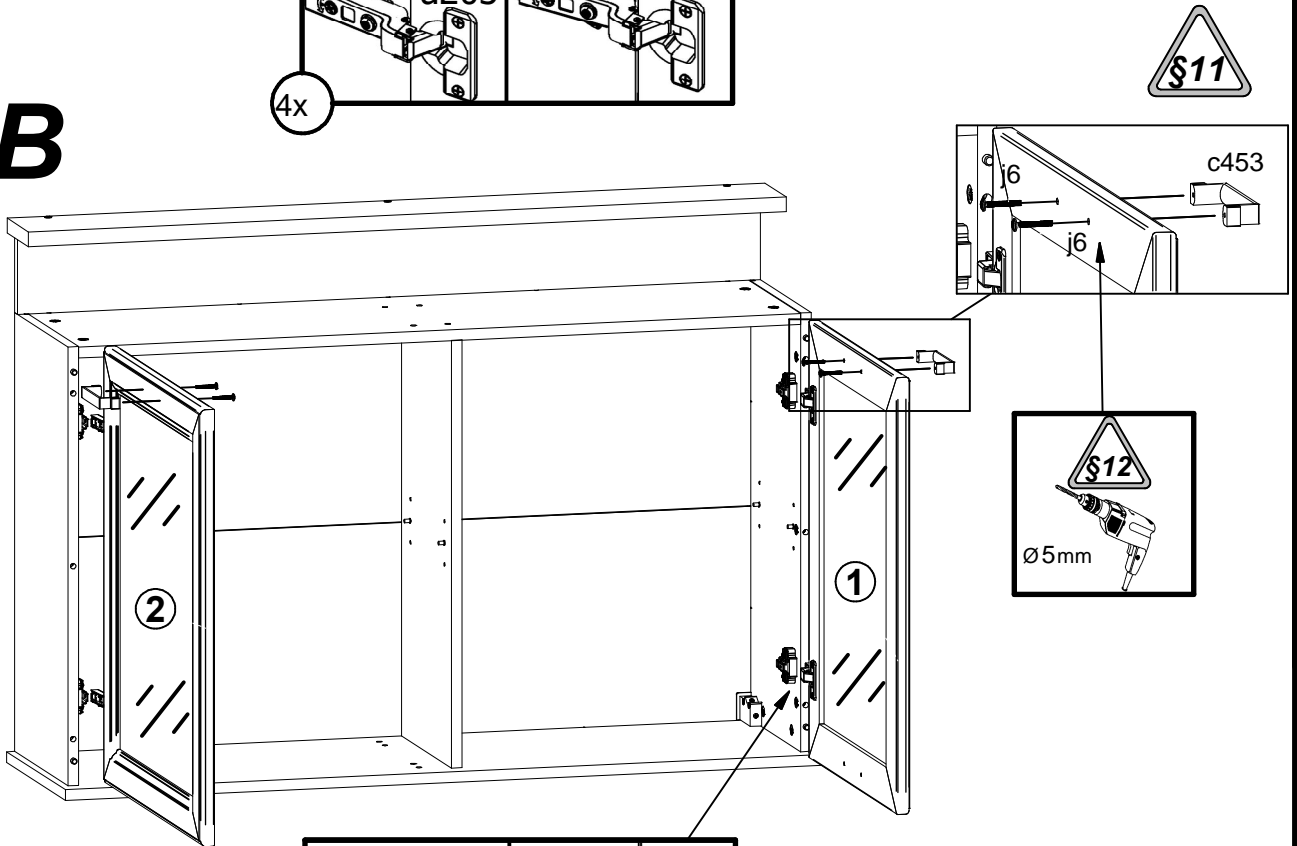




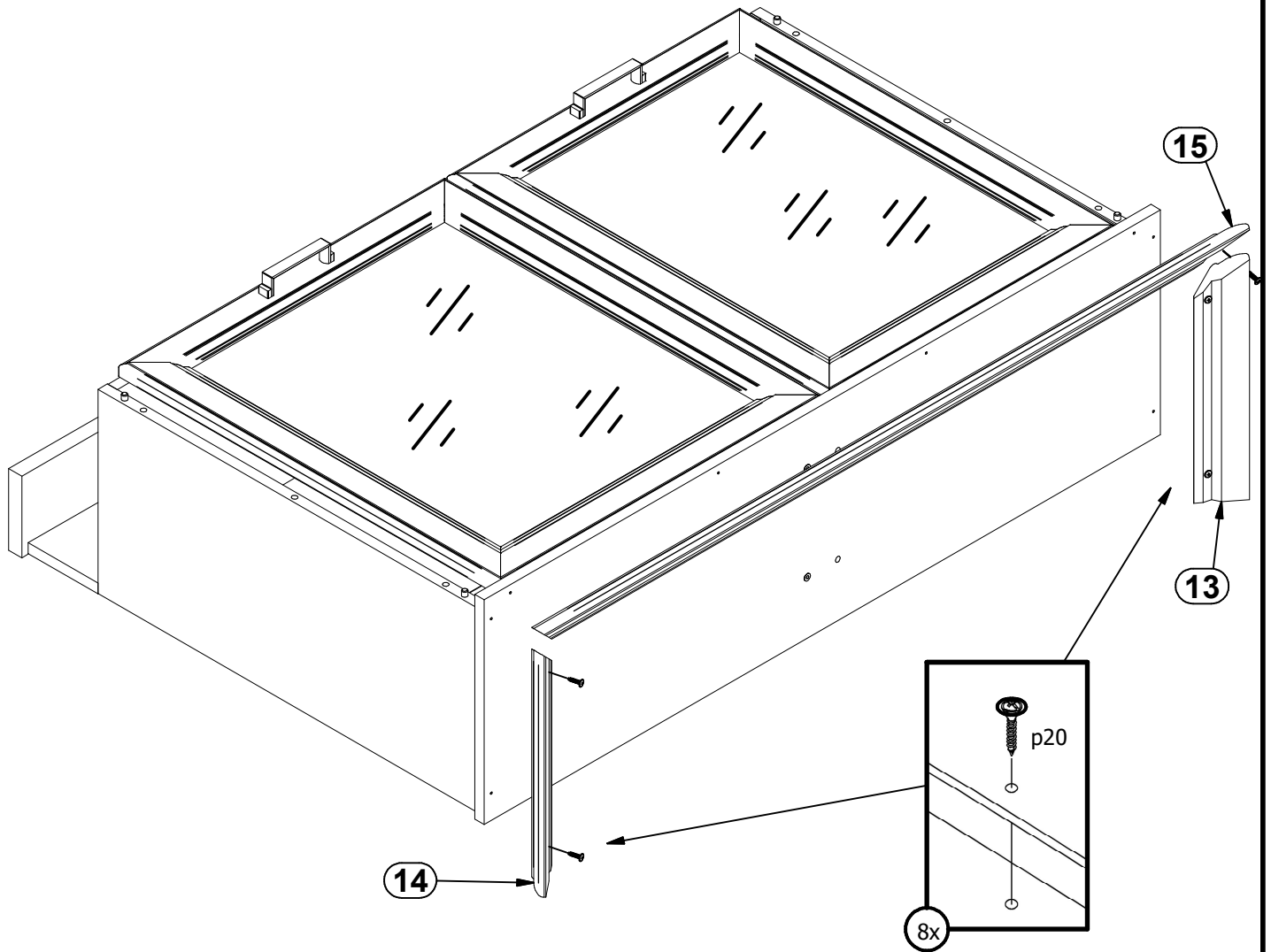
# 12A



# 12B

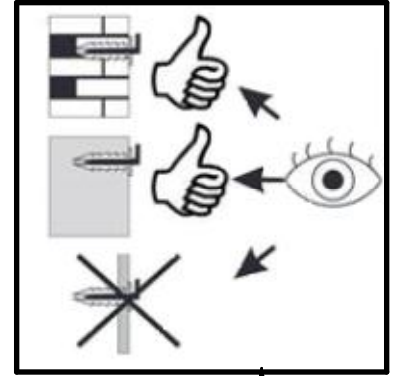
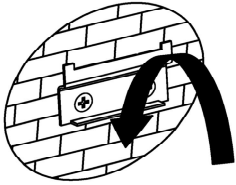
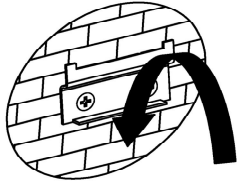
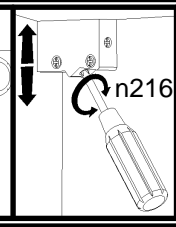
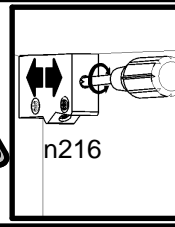
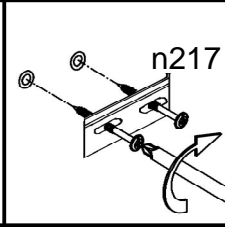
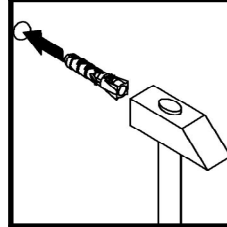
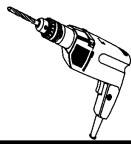


# 13AB



# 14AB

Ø10mm

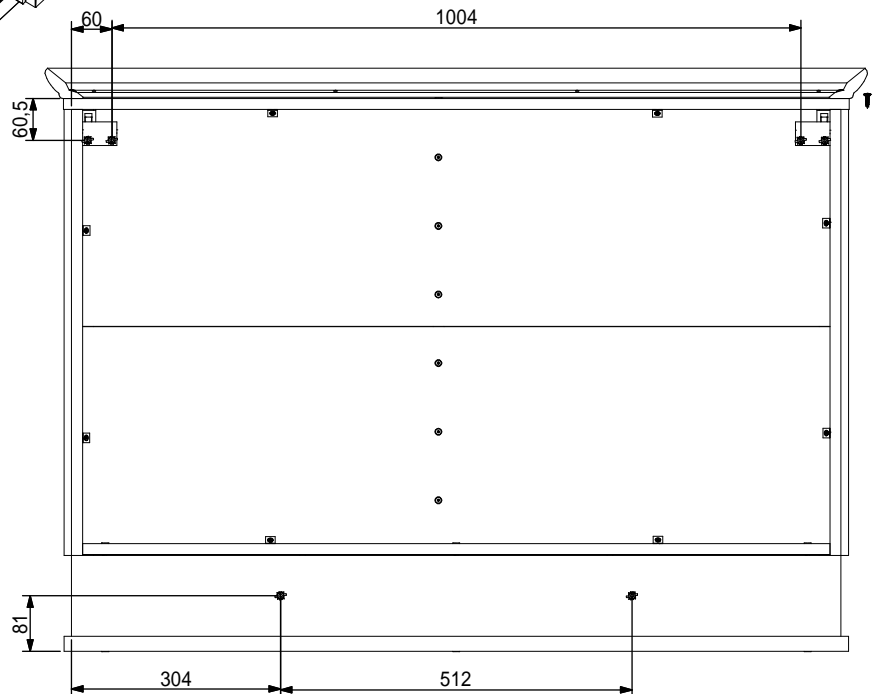


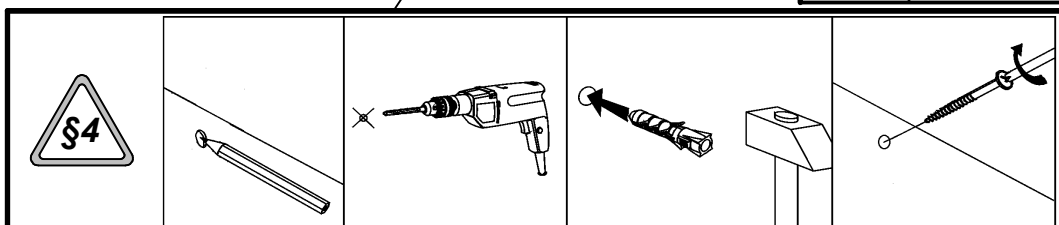
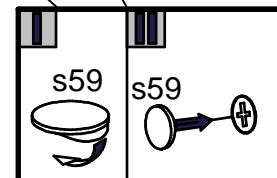
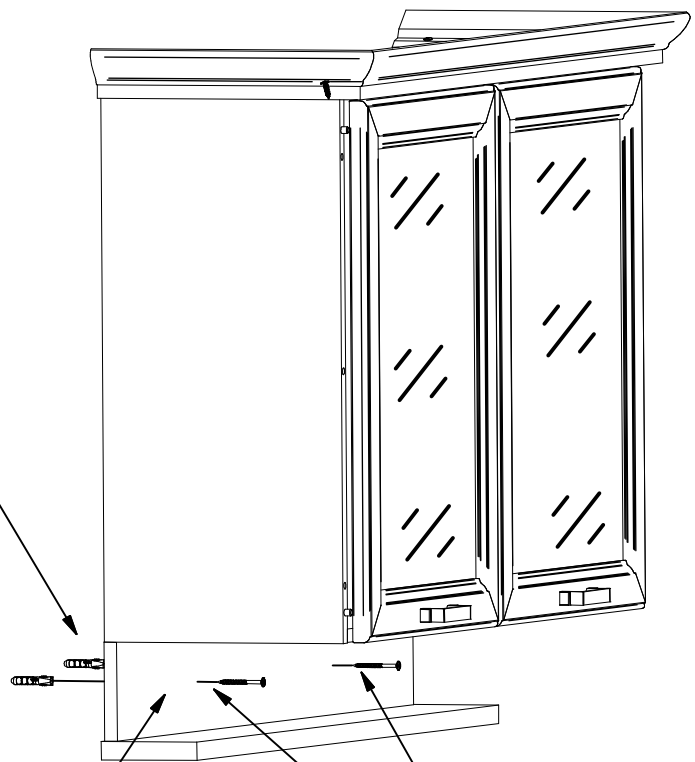
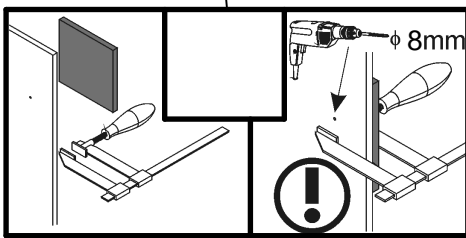
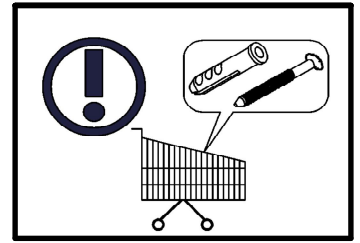
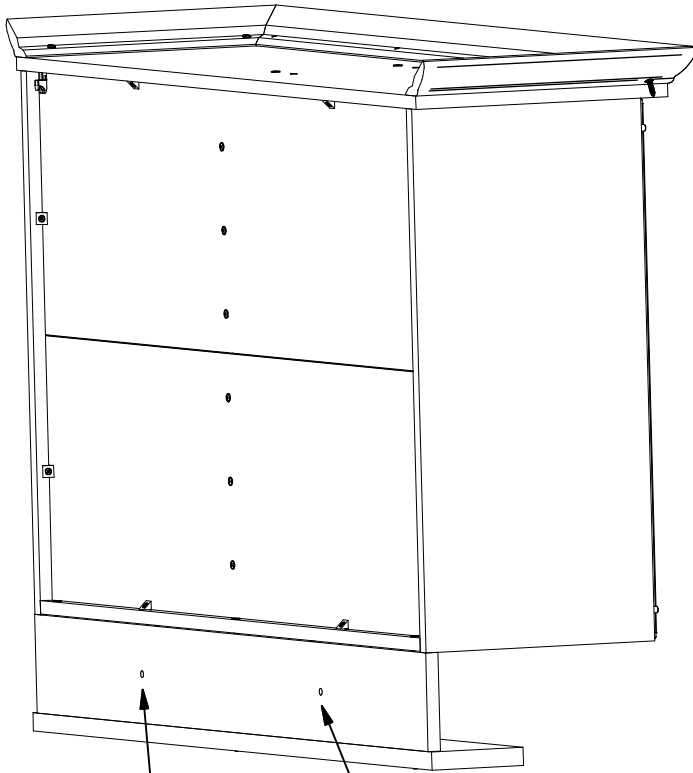
f35  
p17

n217

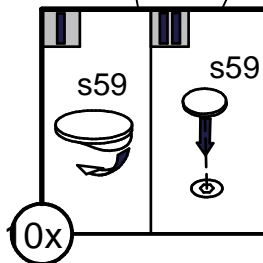
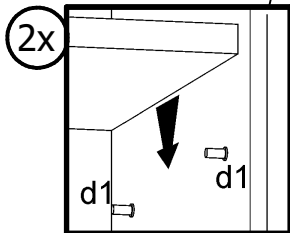
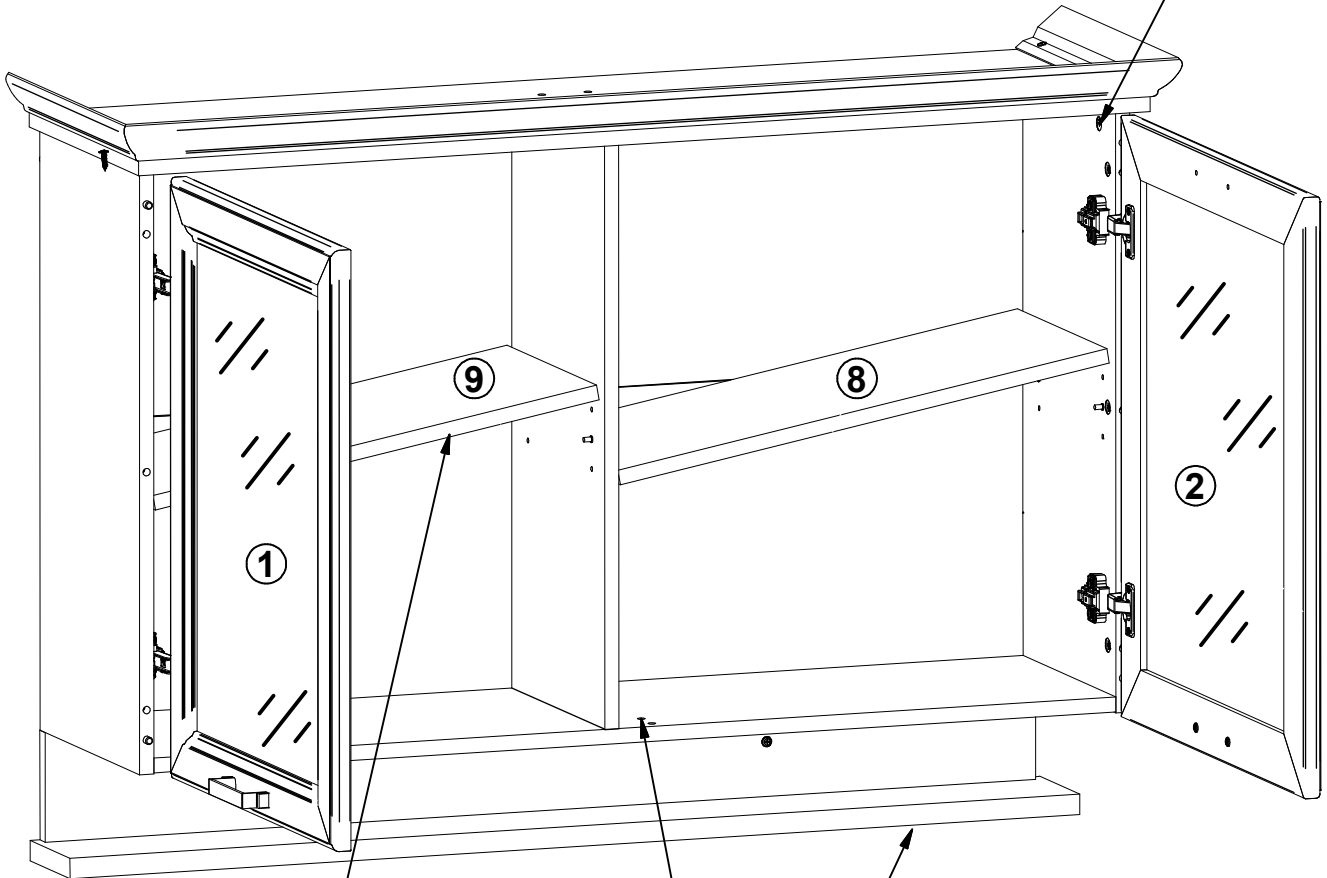
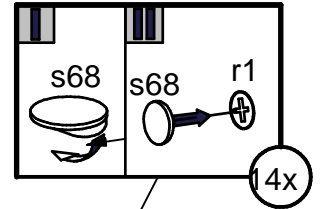
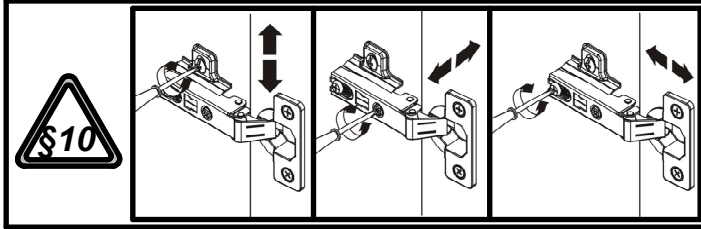
6

3





# 15A

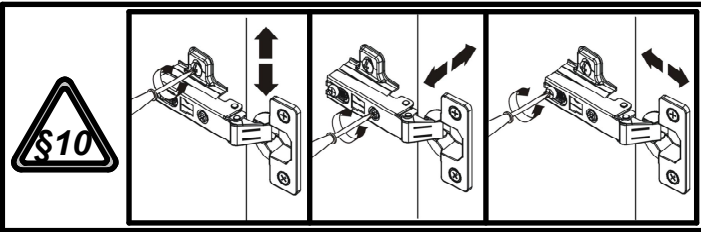


A

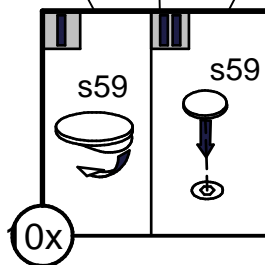
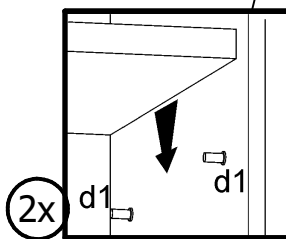
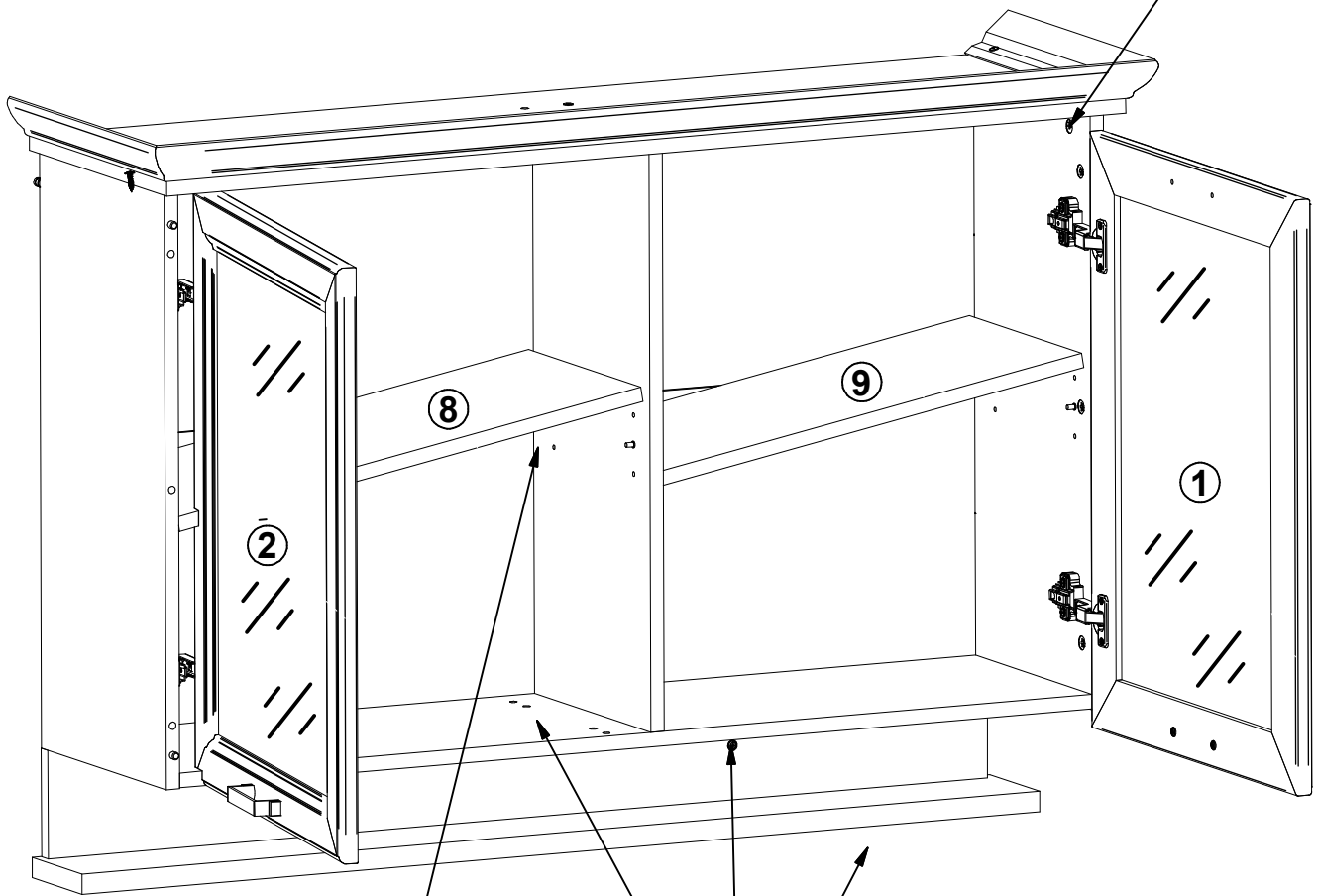
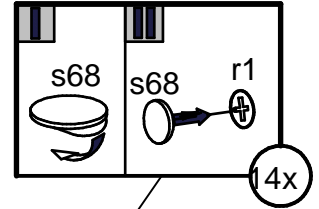
S538-SFW2W\_I

84-881---, 84-882---

14 / 15



15B



# 16AB

