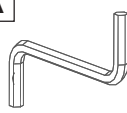
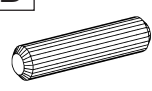
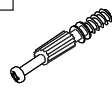
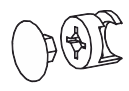
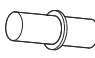

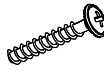
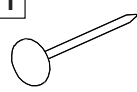


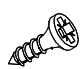
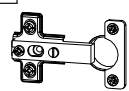
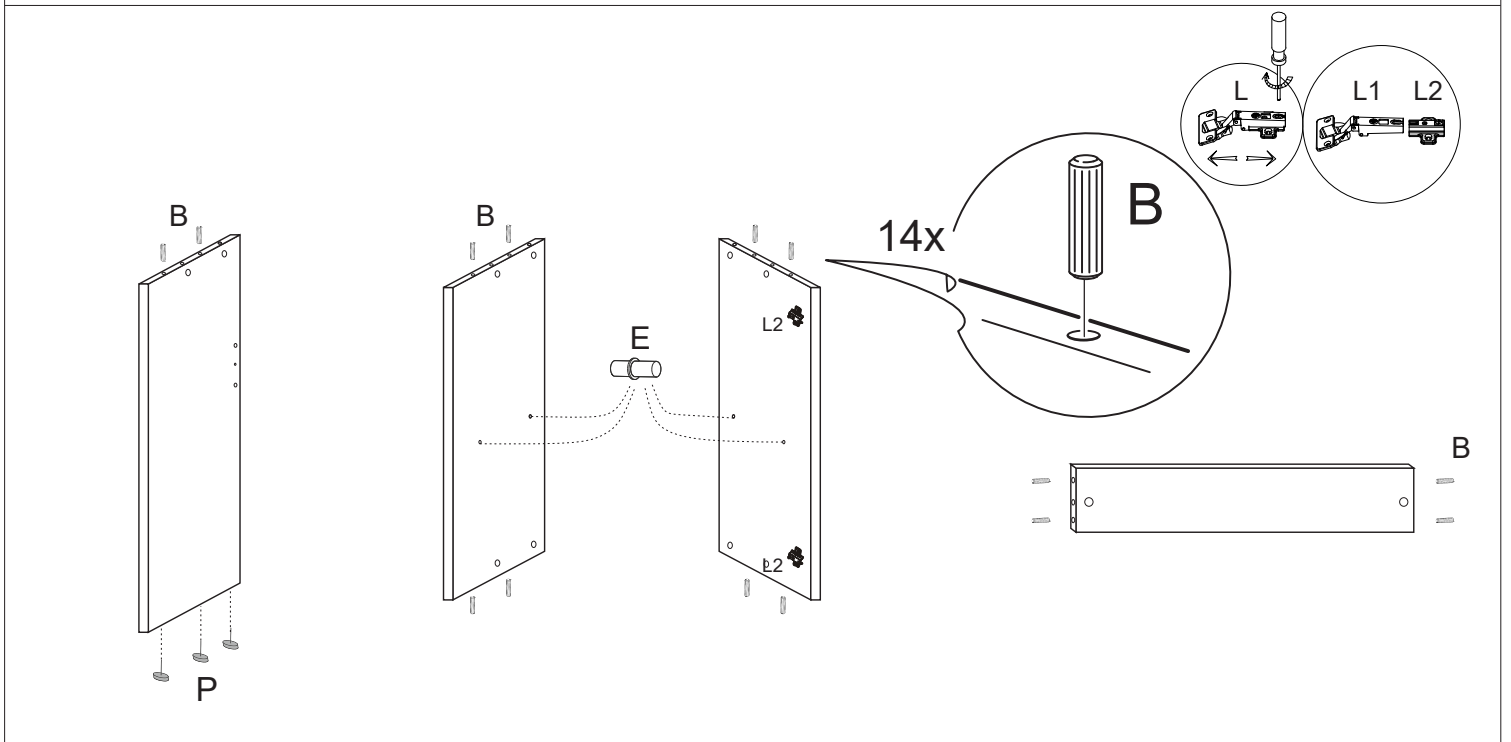
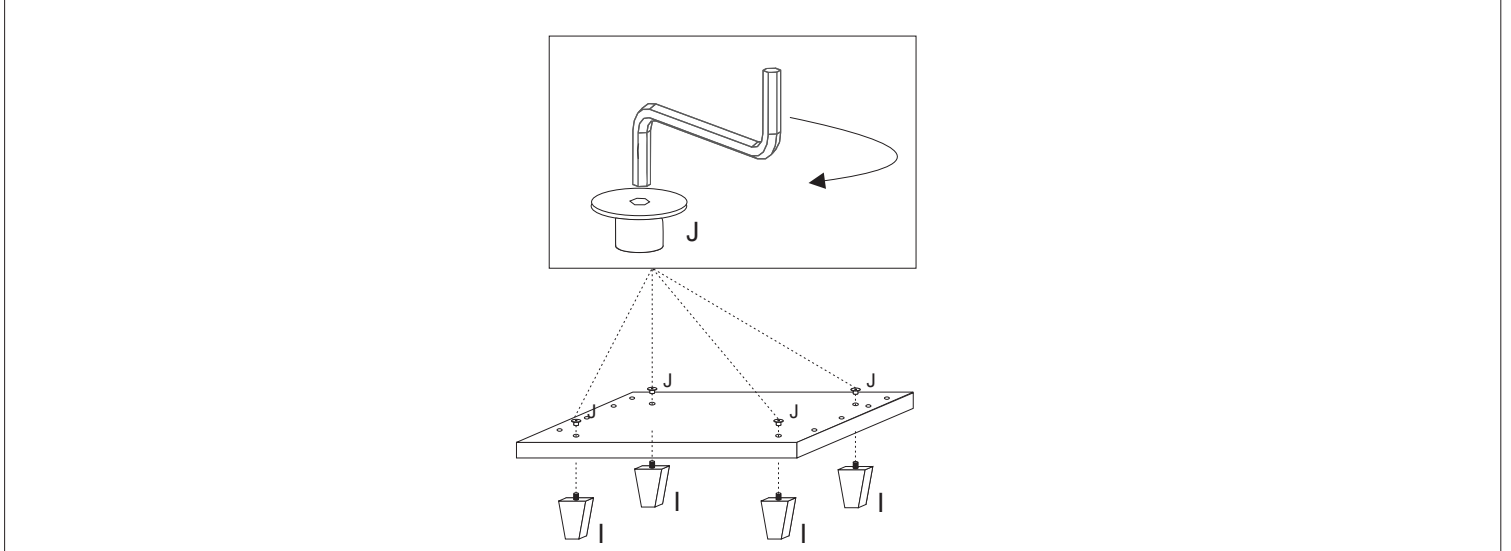
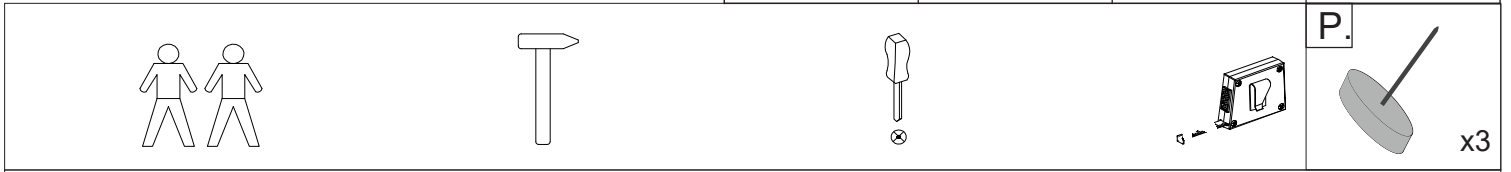
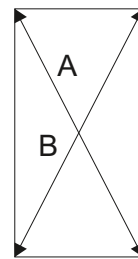
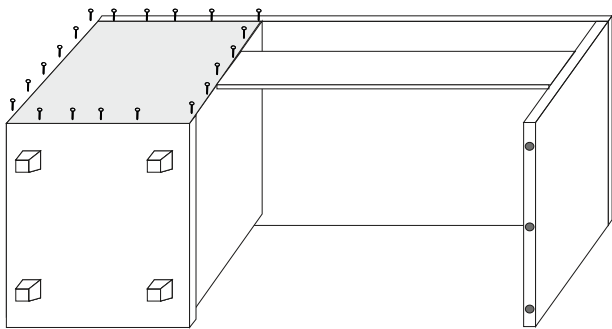
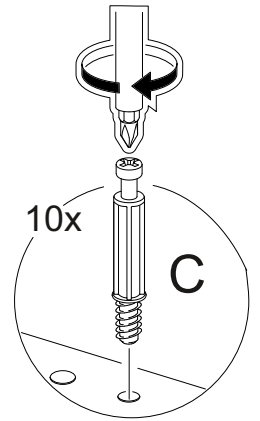
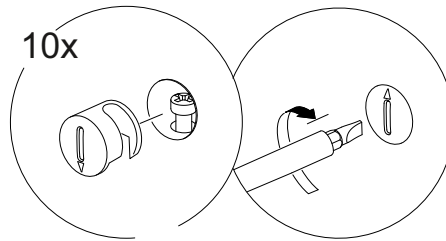
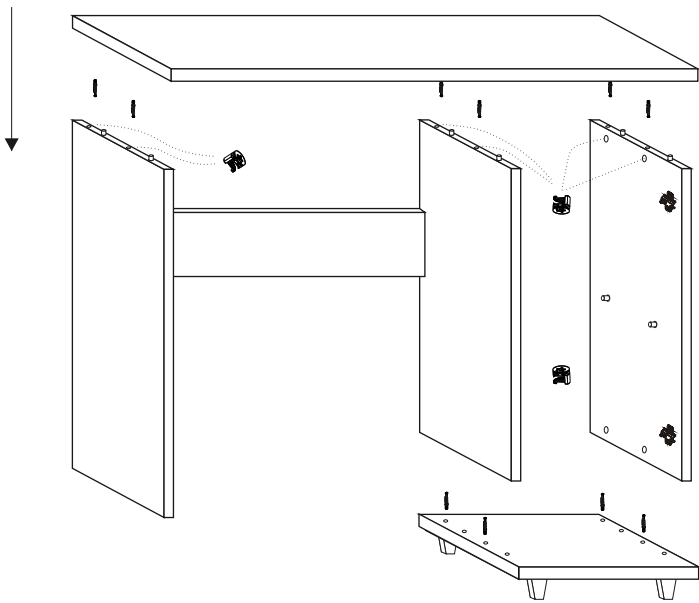
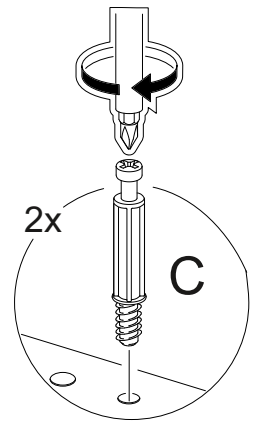
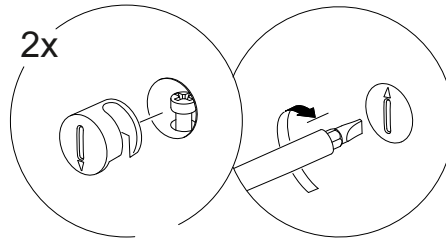
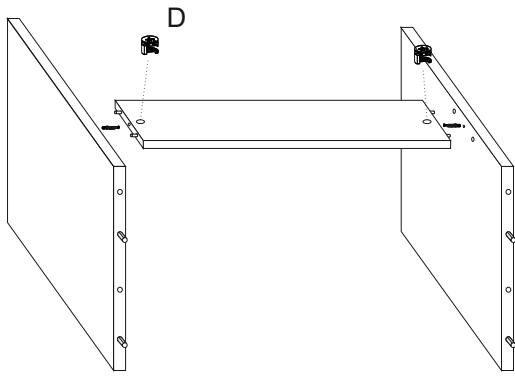


A  x1	B  x14	C  x12	D  x12
E  x12	F  x1	G  x2	H  x60
I  x4	J  x4	K  x4	L  x2





$A=B$

