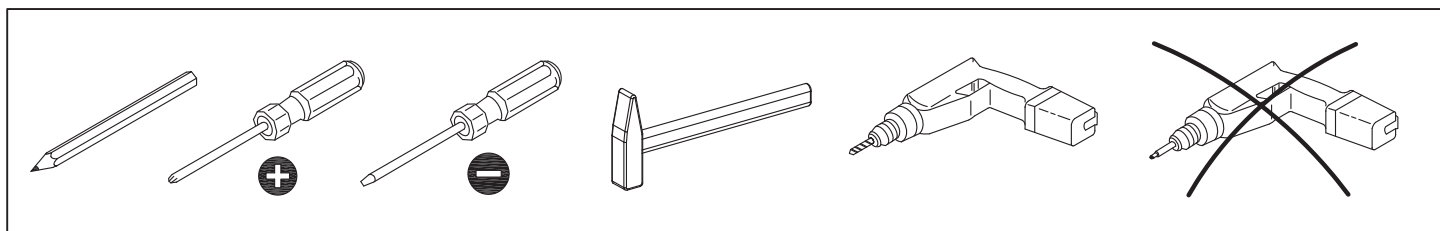
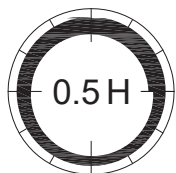
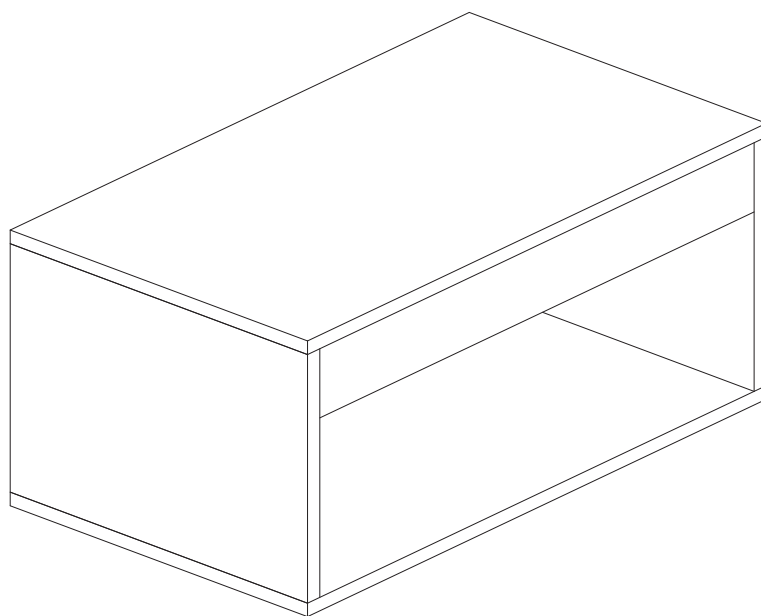
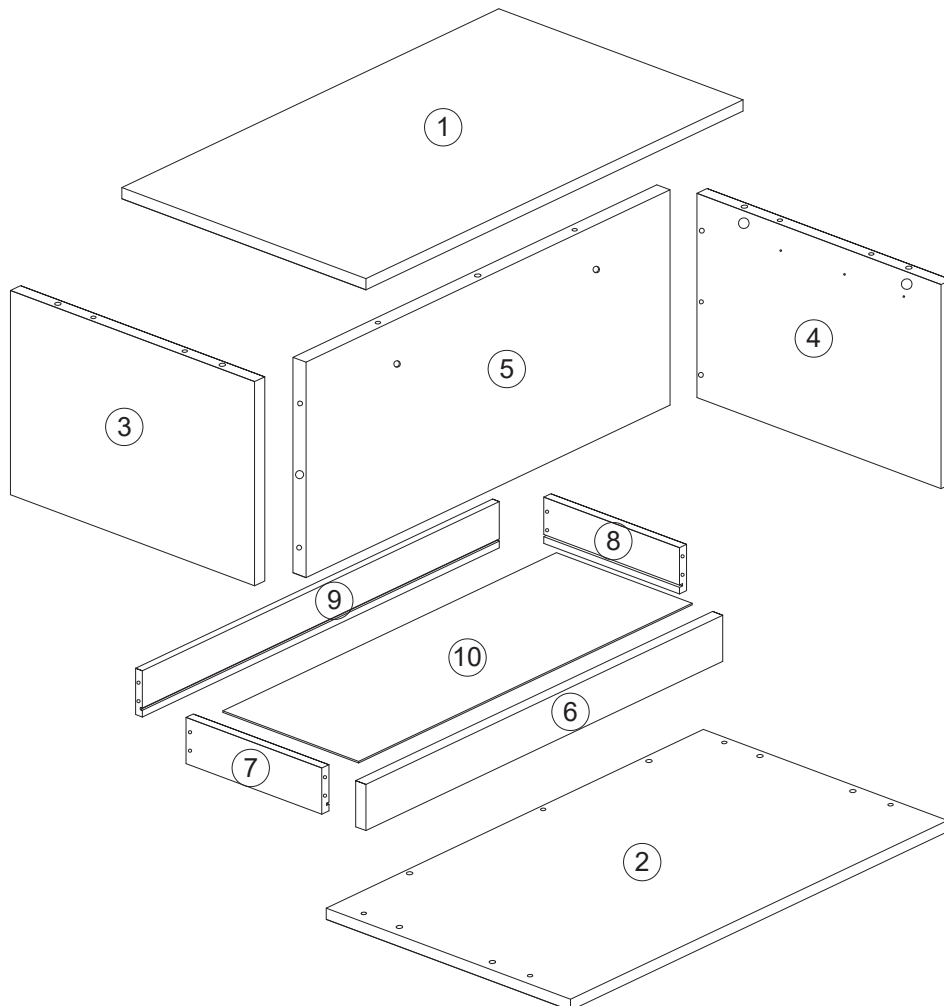


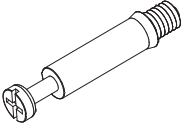
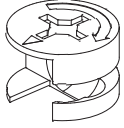
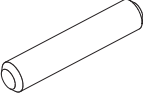
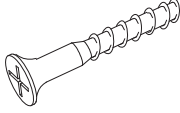
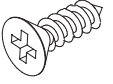
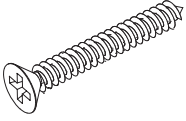
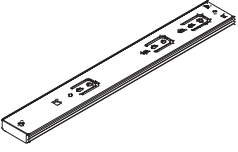

# CHOLET



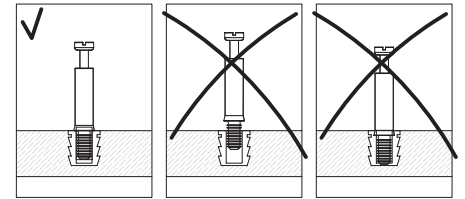
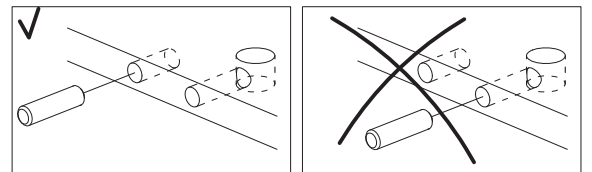
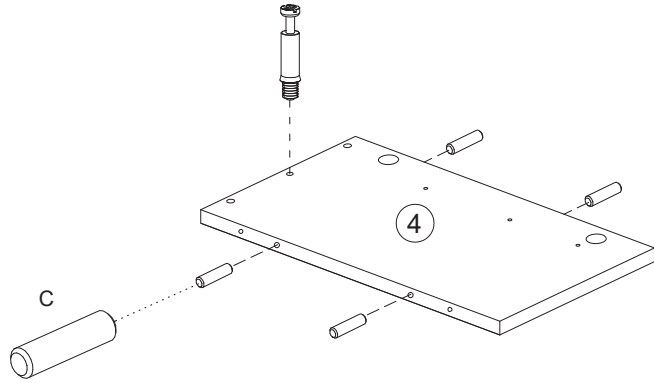
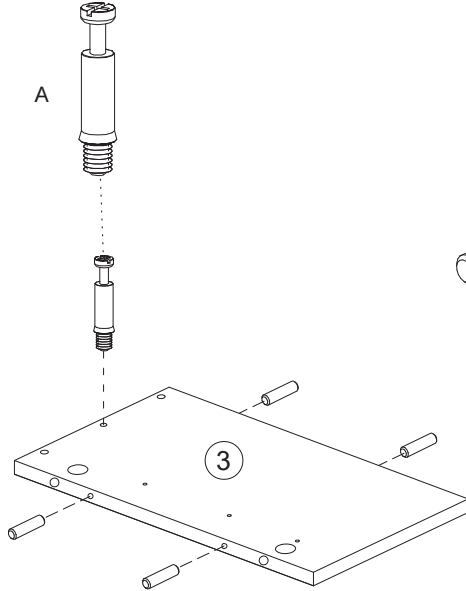
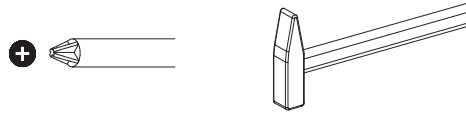
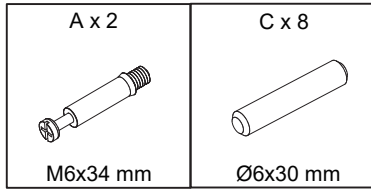
			✓
①	1	500X350X15	
②	1	500X350X15	
③	1	349X213X15	
④	1	349X213X15	
⑤	1	467X213X12	
⑥	1	463X65X15	
⑦	1	250X62X12	

			✓
⑧	1	250X62X12	
⑨	1	415X62X12	
⑩	1	422X246X3	

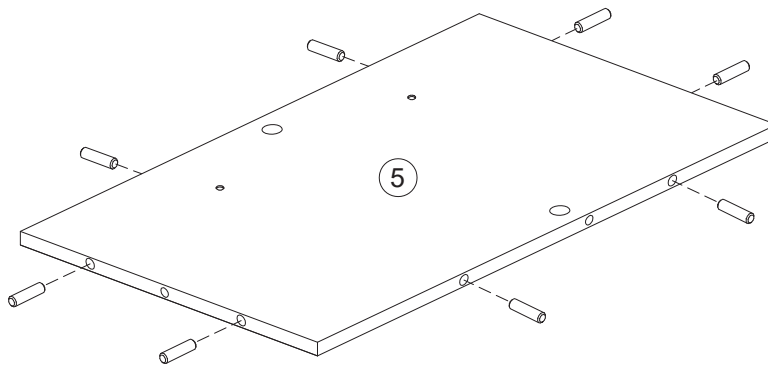
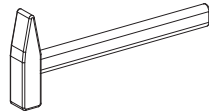
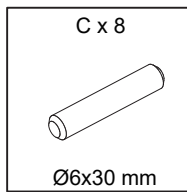


<p>A X 10</p>  <p>M6/34 mm</p>	<p>B X 10</p>  <p>Ø15x9,5 mm</p>	<p>C X 18</p>  <p>Ø6x30 mm</p>	<p>D X 4</p>  <p>Ø5x30 mm</p>	<p>E X 12</p>  <p>Ø3,5x12 mm</p>
<p>F X 4</p>  <p>Ø4x30 mm</p>	<p>G X 2</p>  <p>250x45x13 mm</p>	<p>H X 2</p>  <p>Ø20 mm</p>		

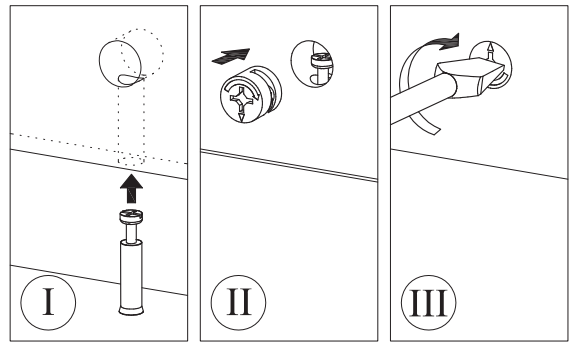
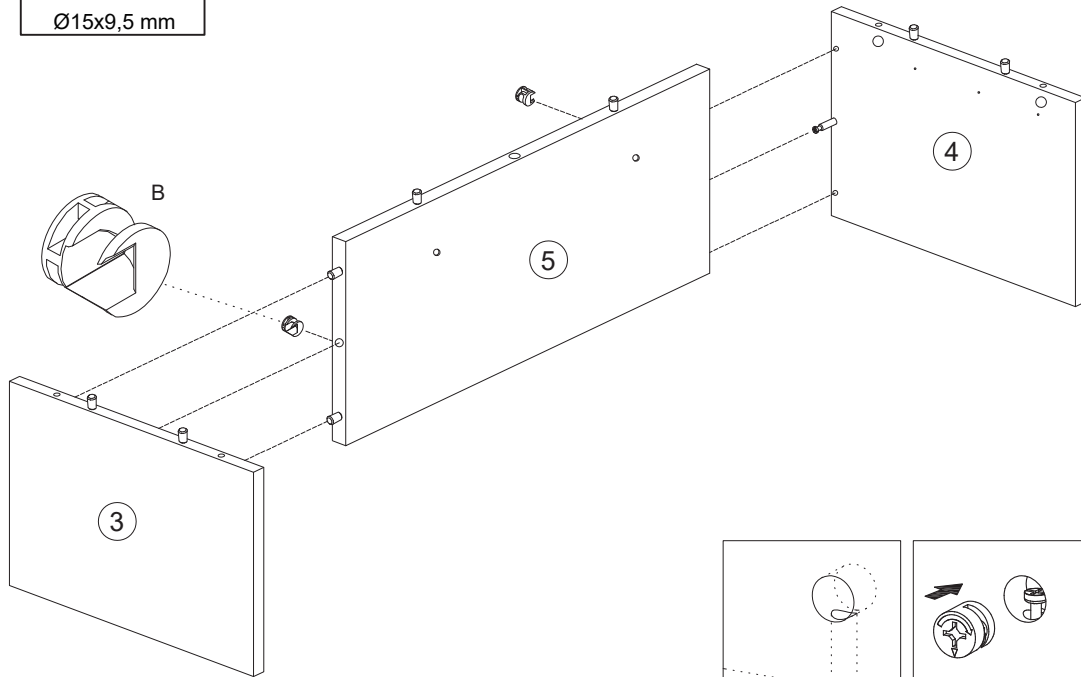
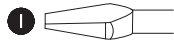
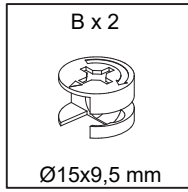
# 1



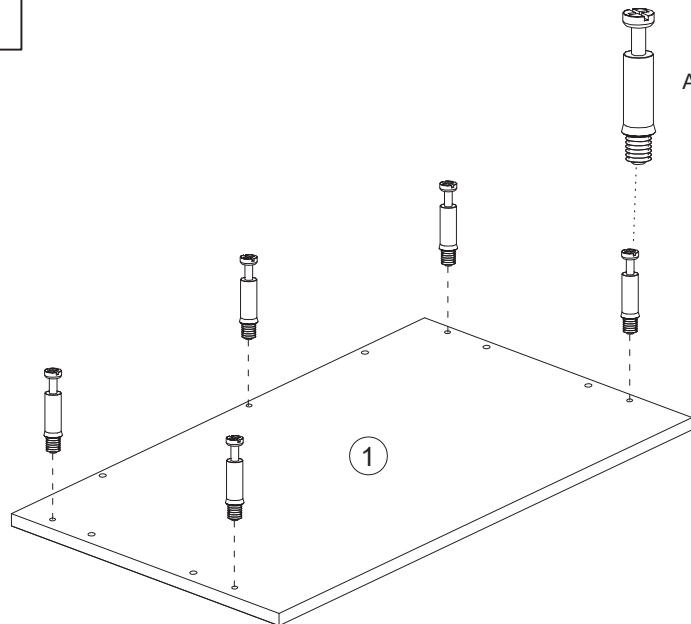
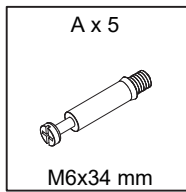
# 2



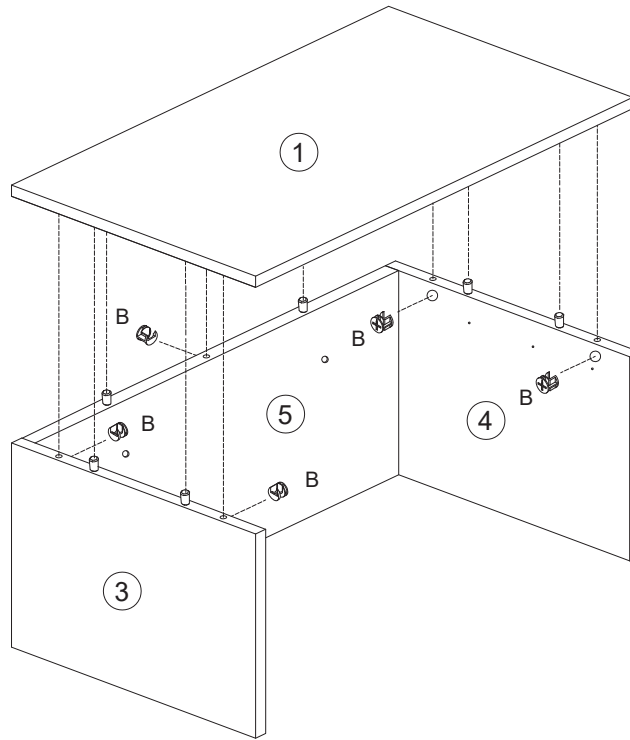
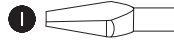
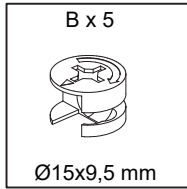
# 3



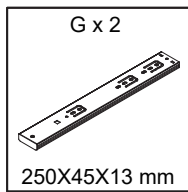
# 4



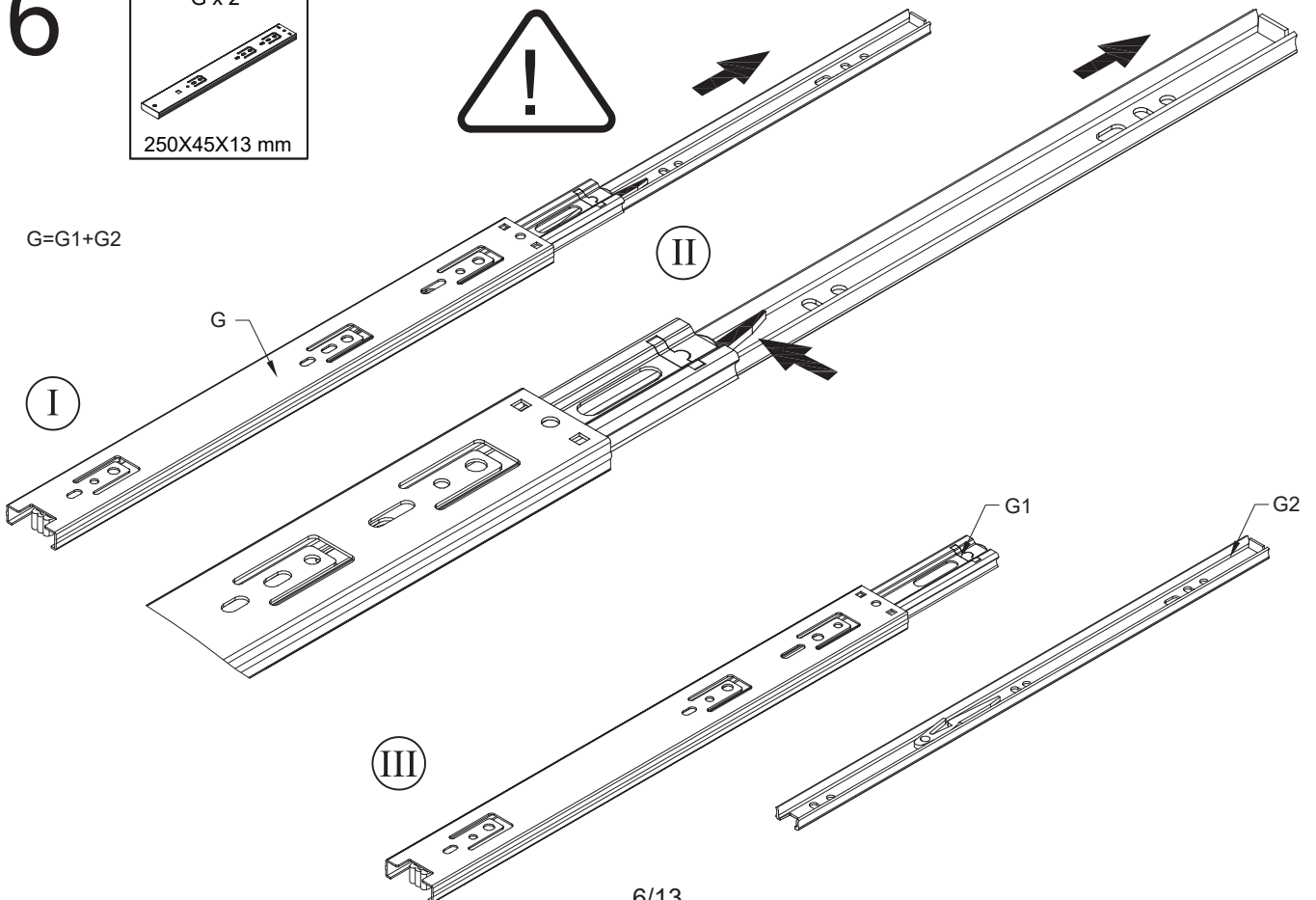
# 5



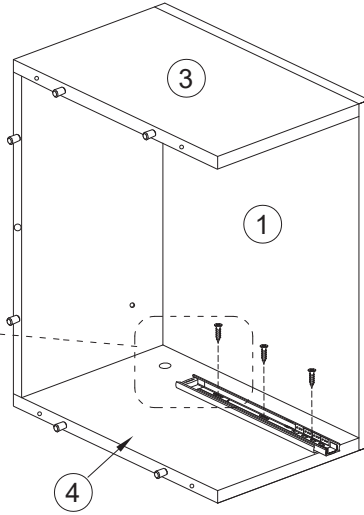
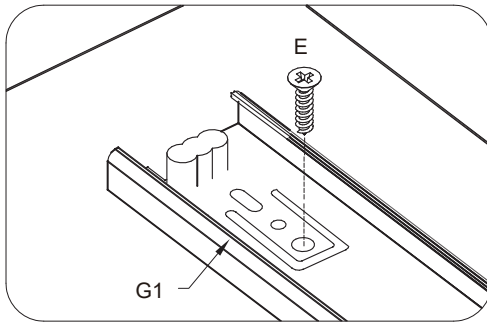
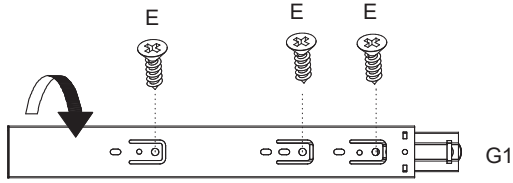
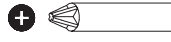
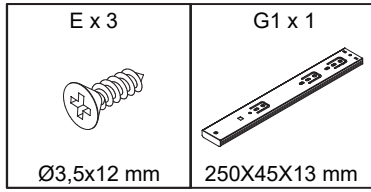
# 6



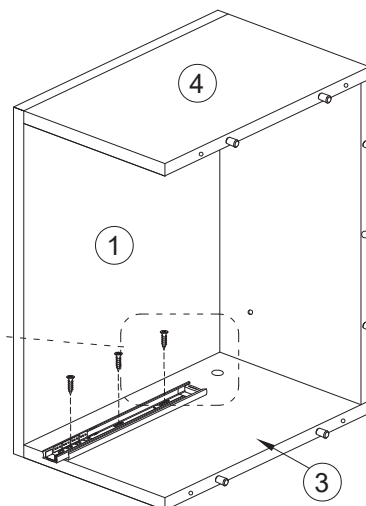
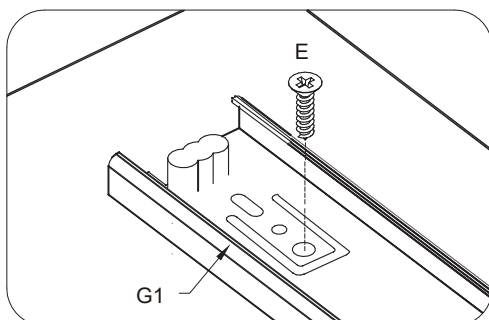
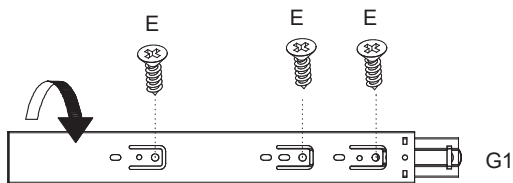
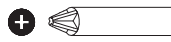
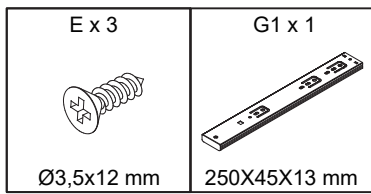
$G = G1 + G2$



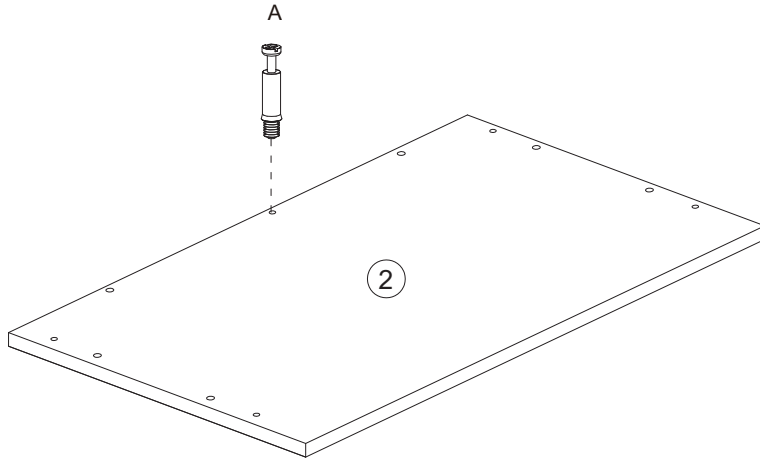
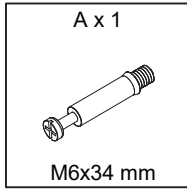
# 7



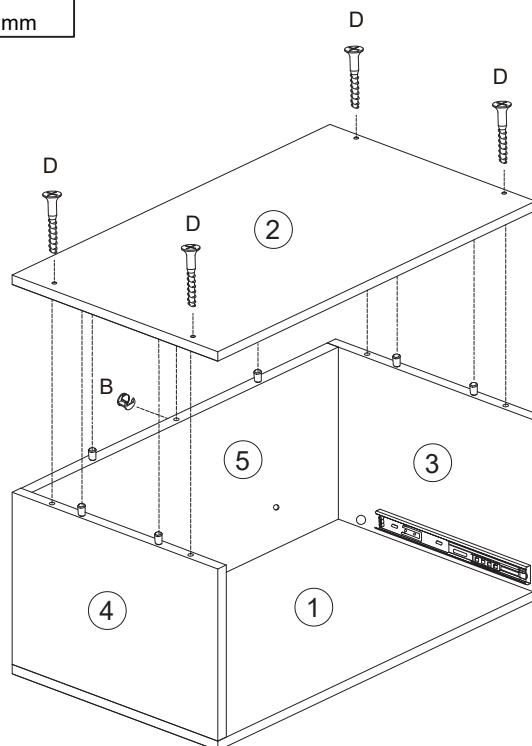
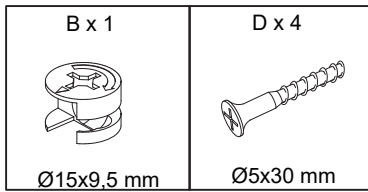
# 8



# 9

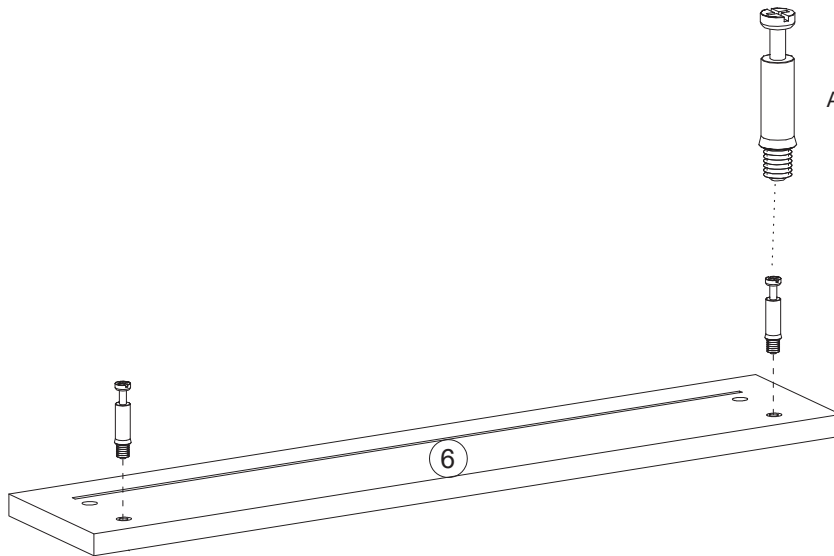
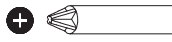
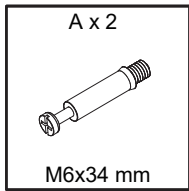


# 10

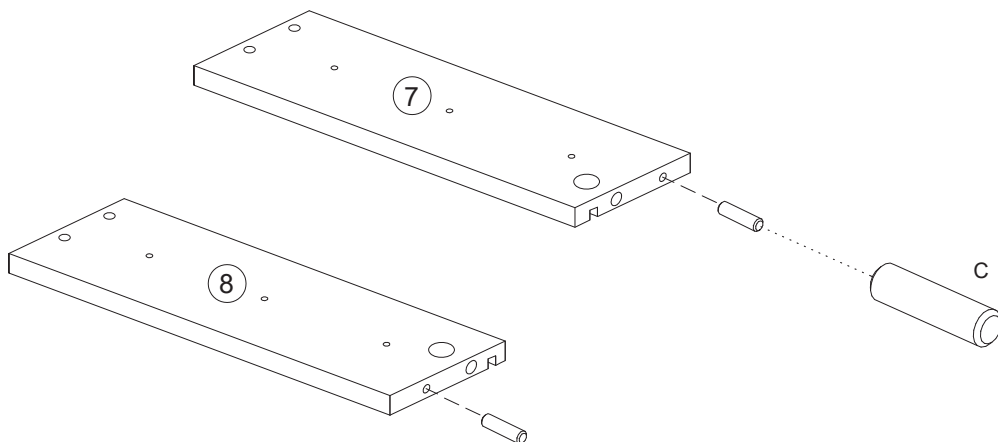
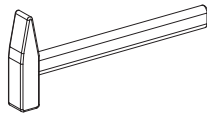
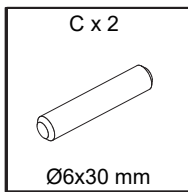




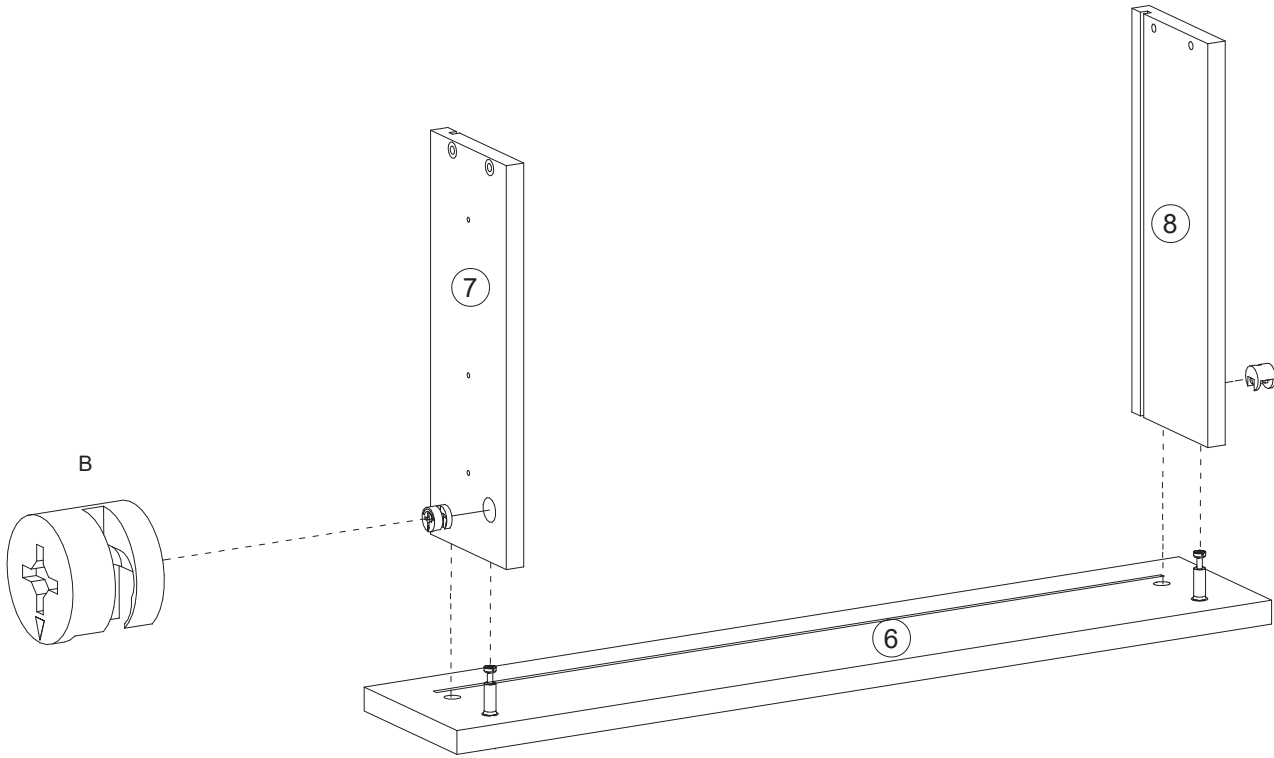
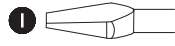
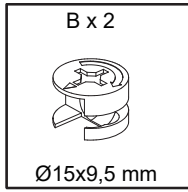
# 11



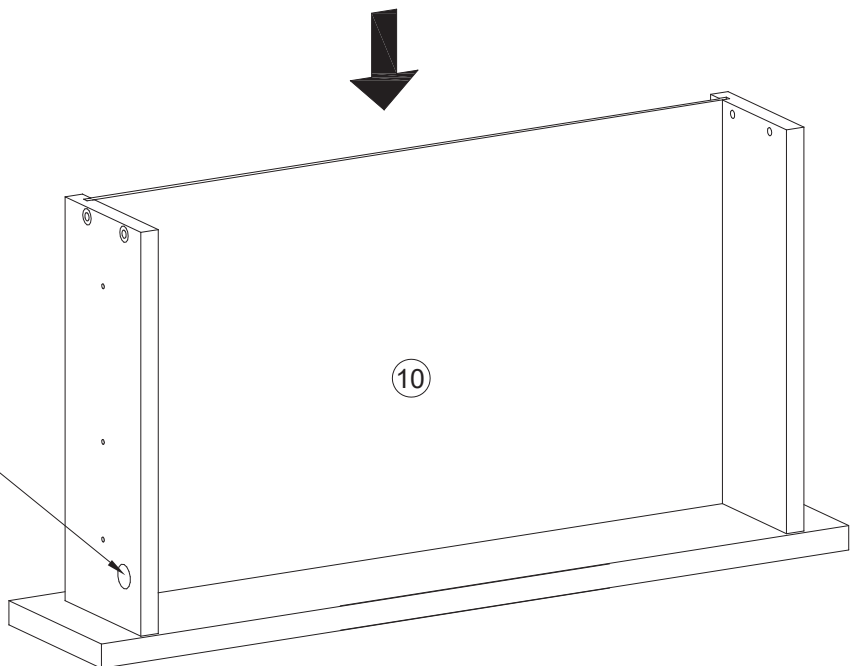
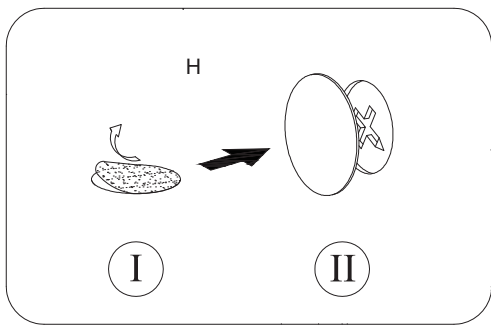
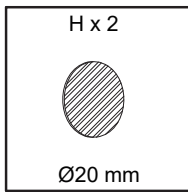
# 12



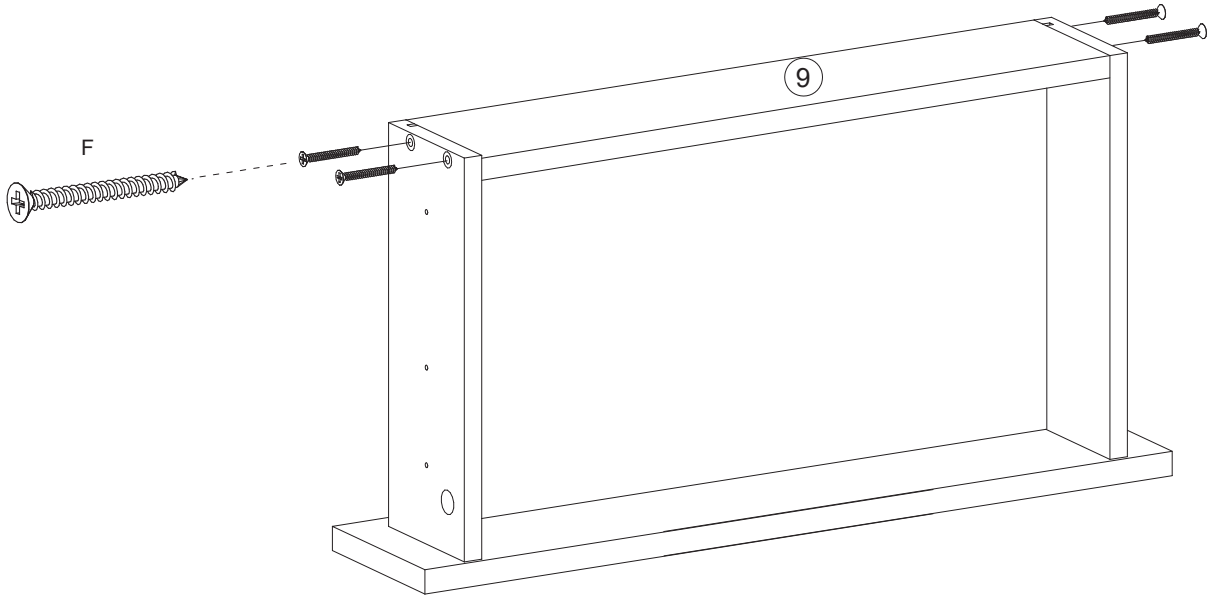
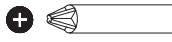
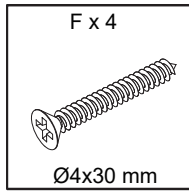
# 13



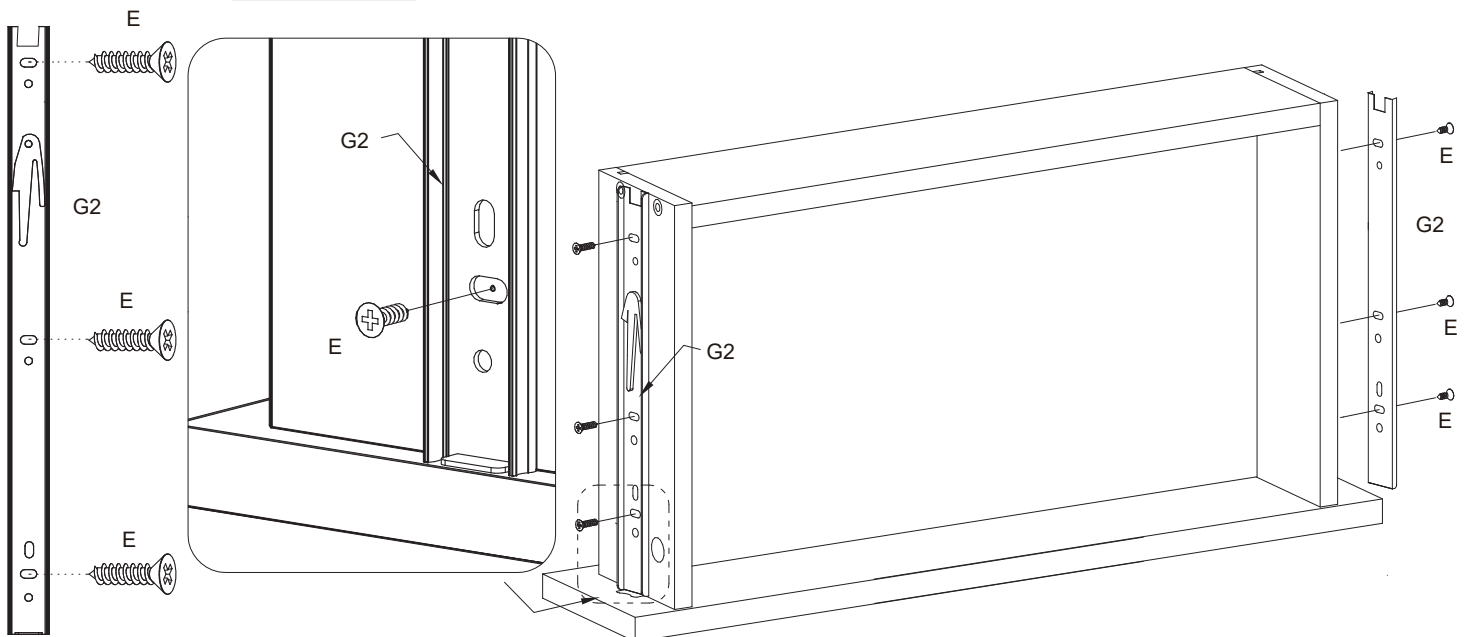
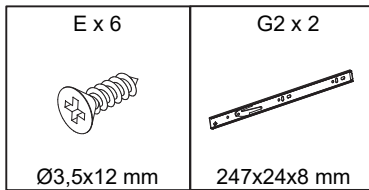
# 14



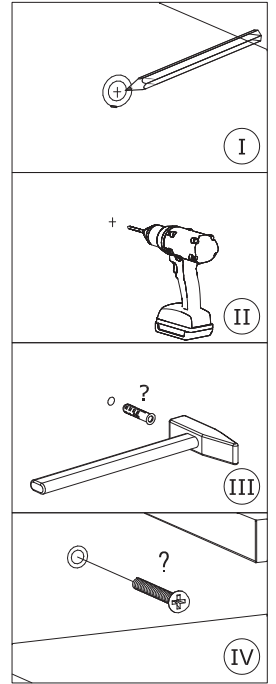
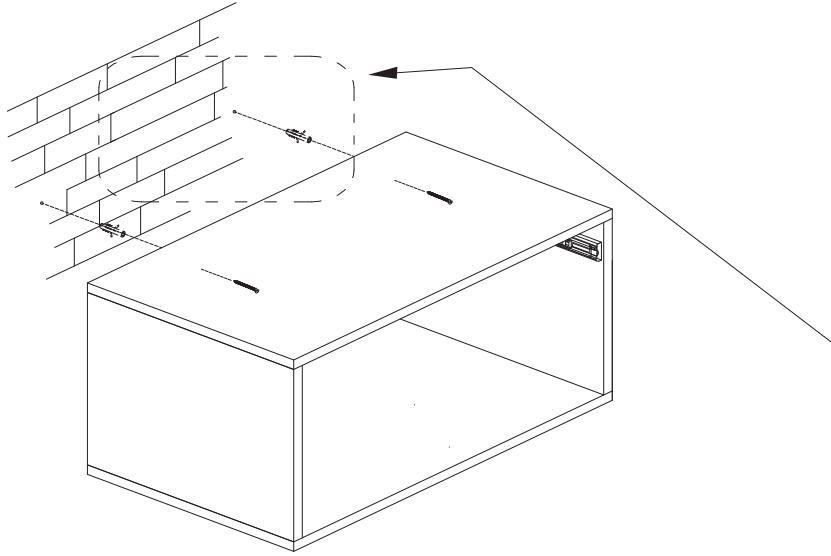
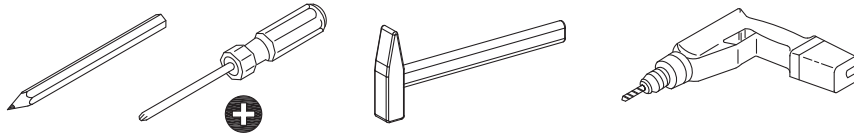
# 15



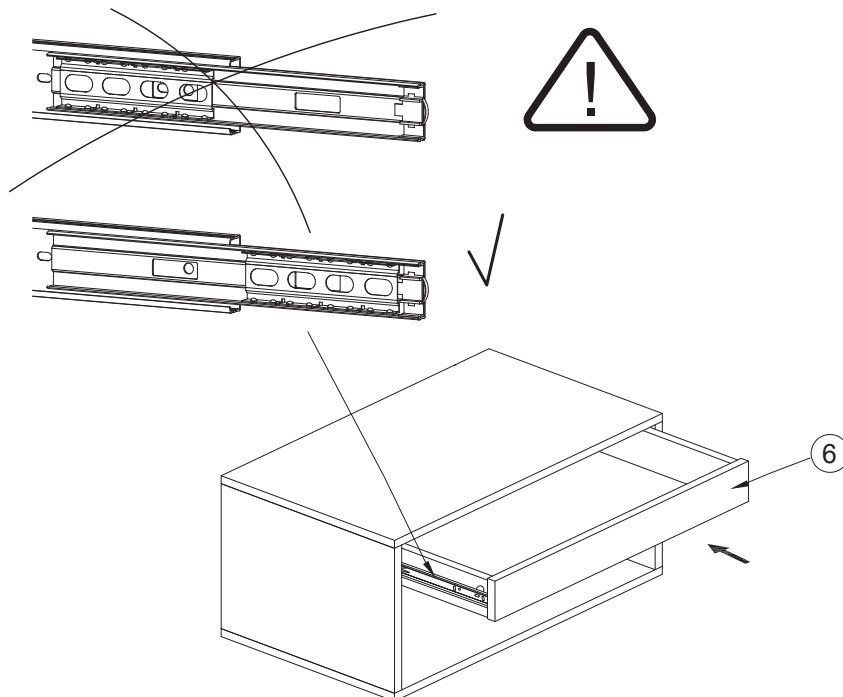
# 16



# 17



# 18



# 19

