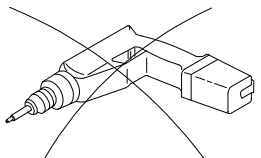
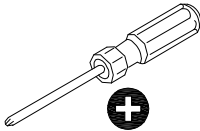
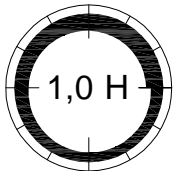
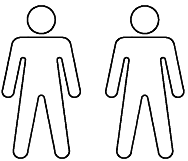
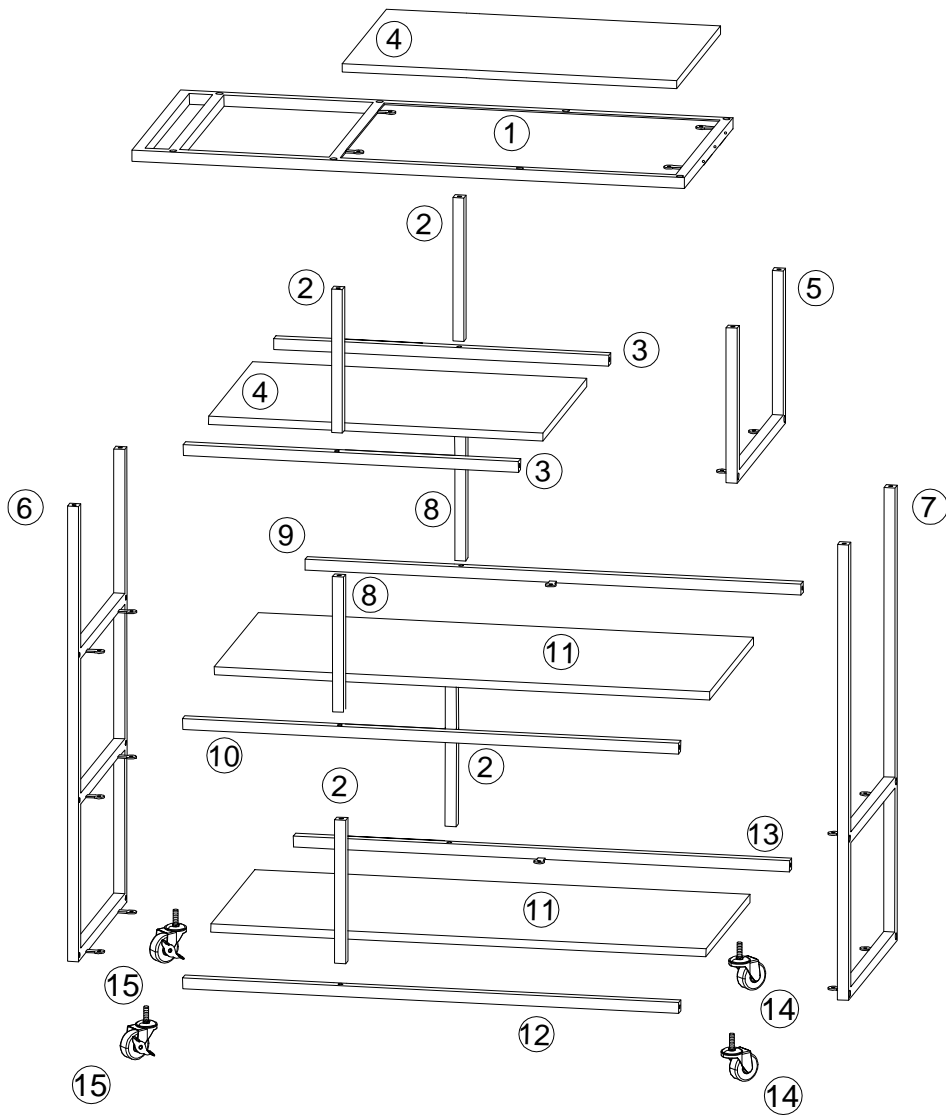


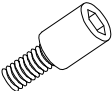
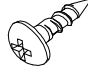
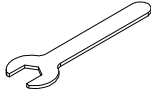
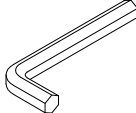
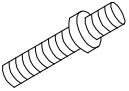


# SEAFORD



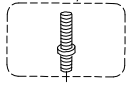
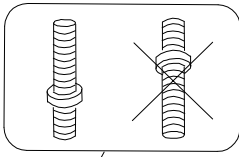
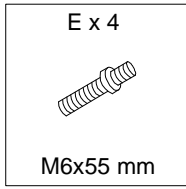
			✓
①	1	825x350x16	
②	4	210x16x16	
③	2	485x16x16	
④	2	484x317x12	
⑤	1	350x225x42/16	
⑥	1	666x350x42/16	
⑦	1	666x350x42/16	
⑧	2	198x16x16	

			✓
⑨	1	718x16x42/16	
⑩	1	718x16x42/16	
⑪	2	717x317x12	
⑫	1	718x16x42/16	
⑬	1	718x16x42/16	
⑭	2	Ø50	
⑮	2	Ø50	

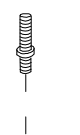
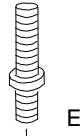


<p>A x 22</p>  <p>M6x15 mm</p>	<p>B x 20</p>  <p>Ø4x12 mm</p>	<p>C x 1</p>  <p>14 mm</p>	<p>D x 1</p>  <p>4 mm</p>	<p>E x 4</p>  <p>M6x55 mm</p>
<p>F x 3</p>  <p>Ø15x25 mm</p>	<p>G x 3</p>  <p>M4x25 mm</p>			

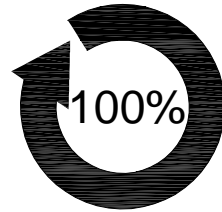
# 1



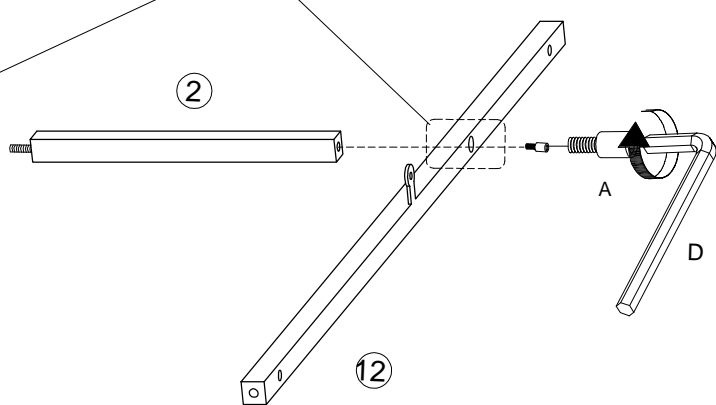
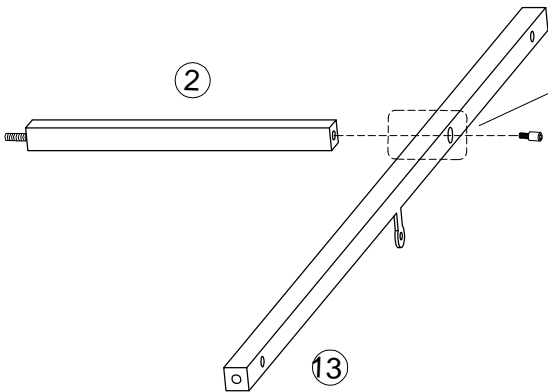
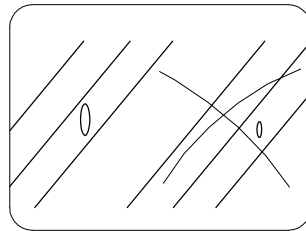
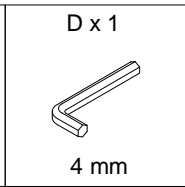
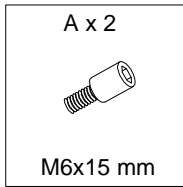
② x2



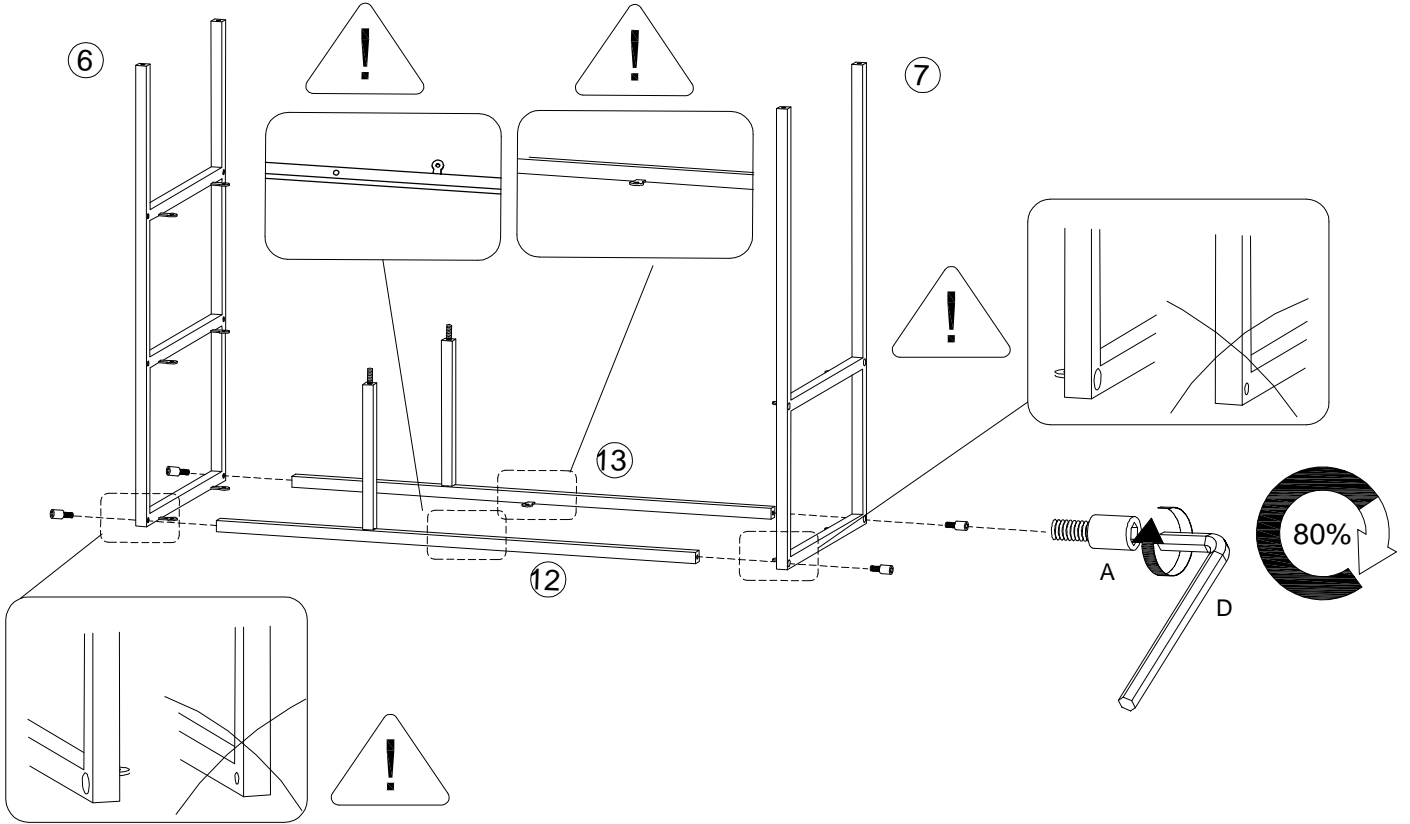
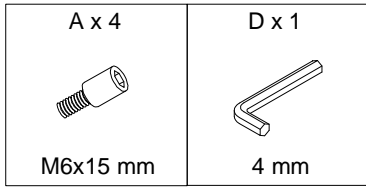
⑧ x2



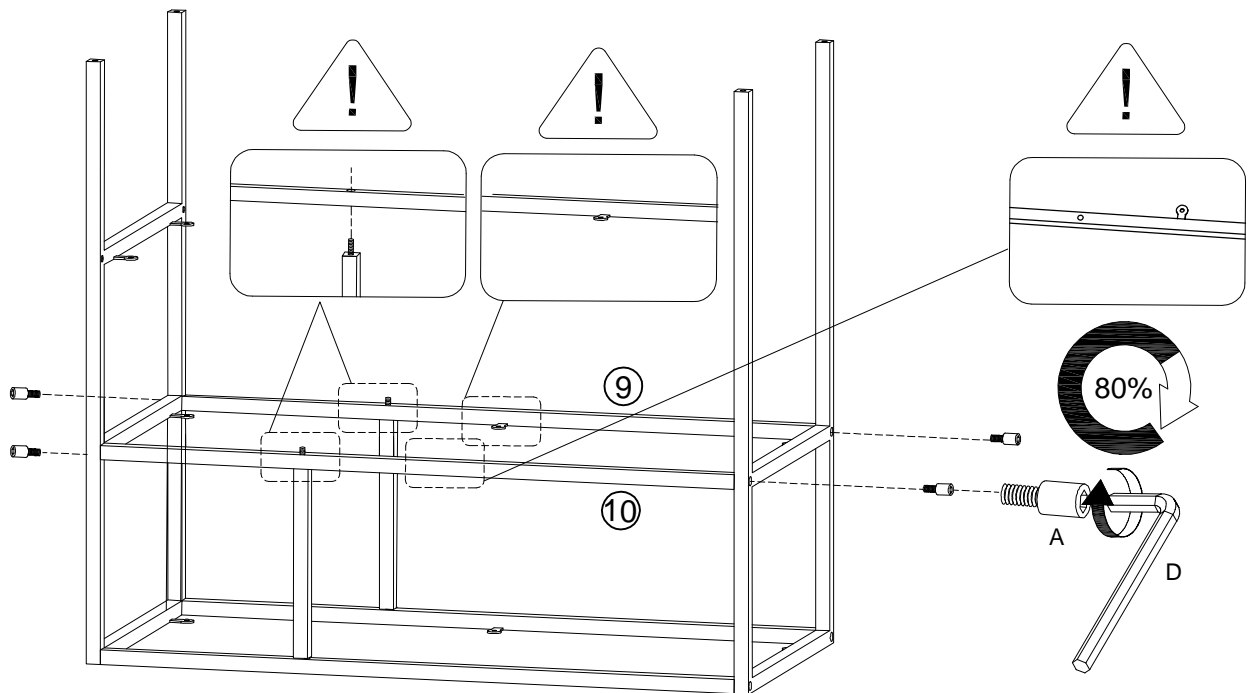
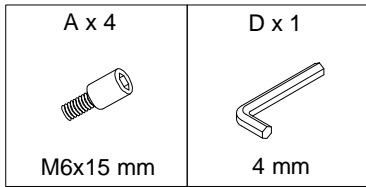
# 2



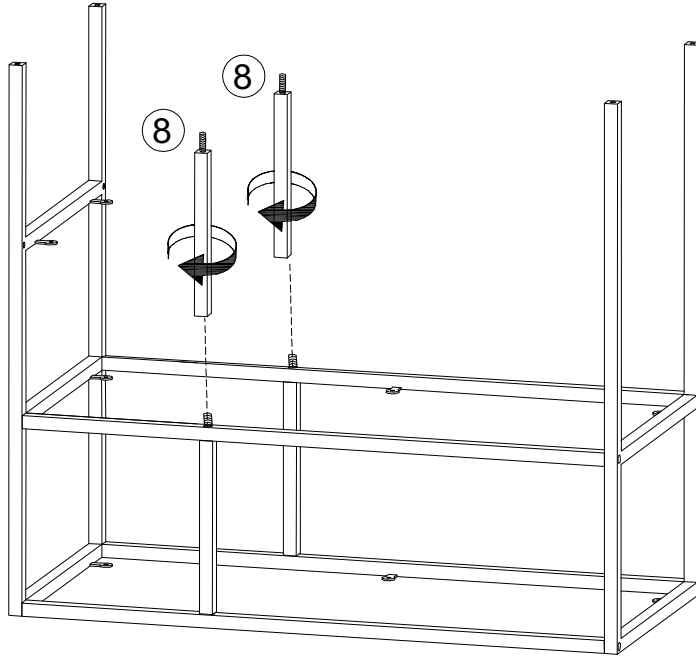
# 3



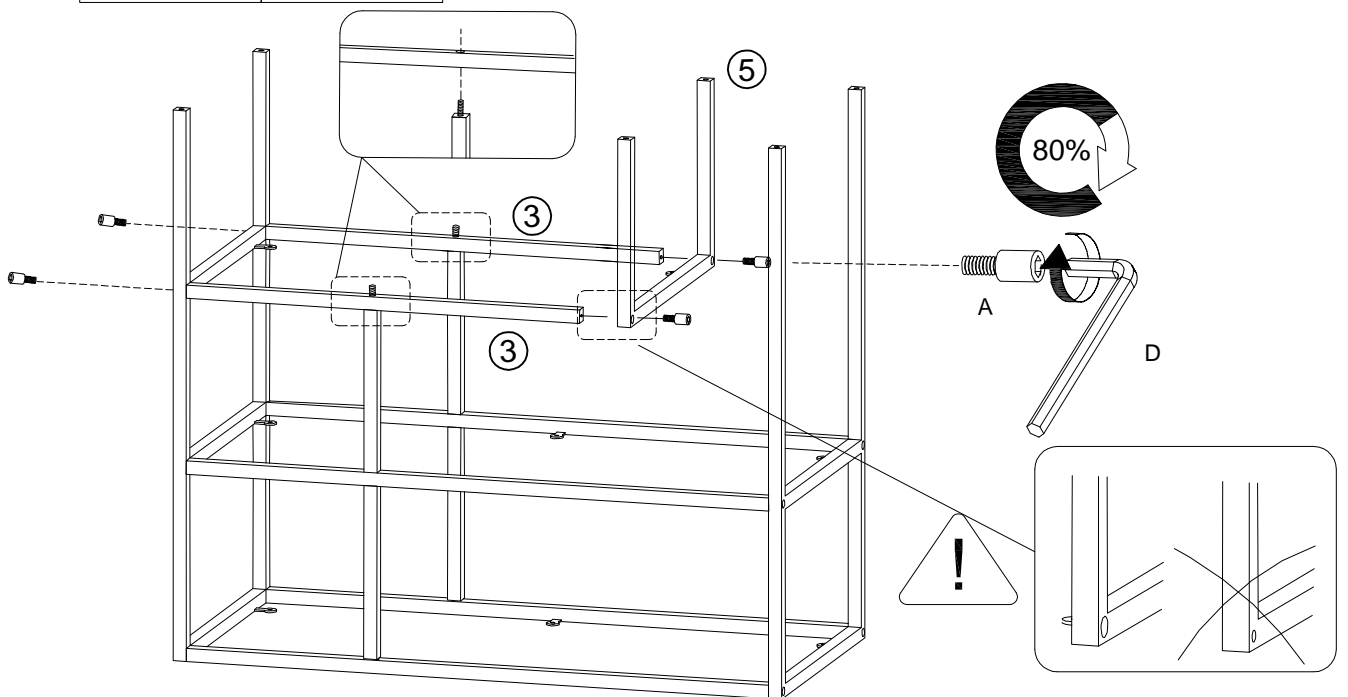
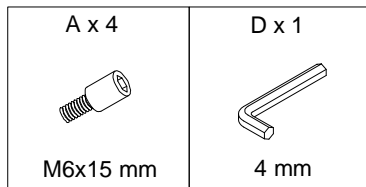
# 4



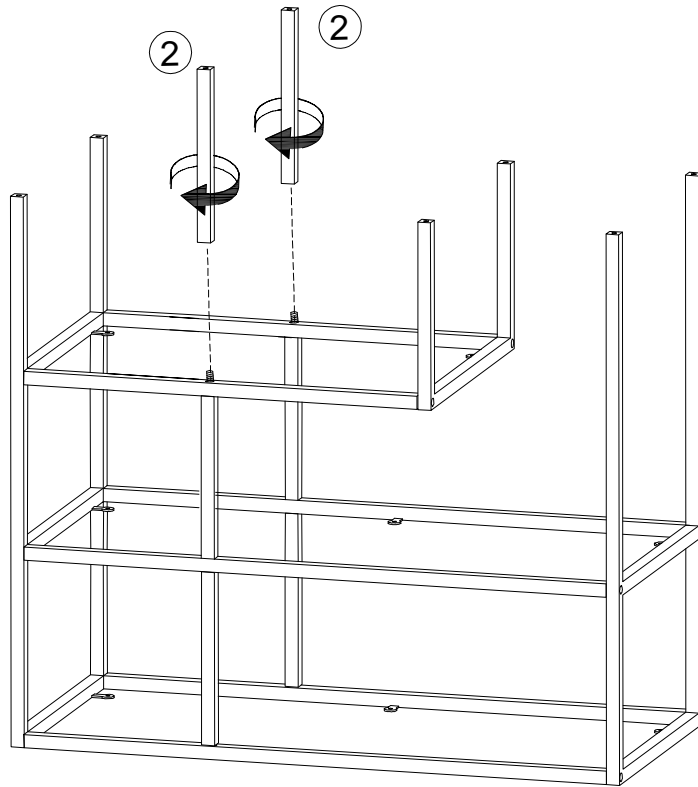
# 5



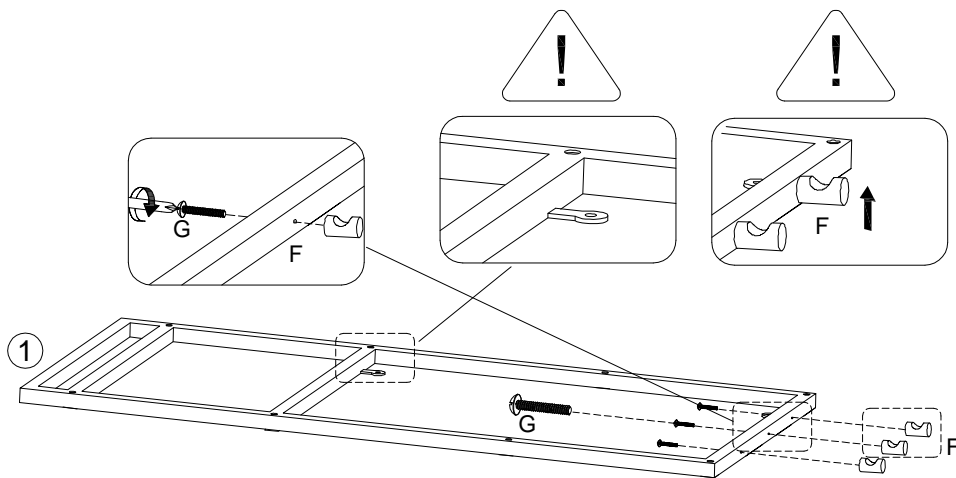
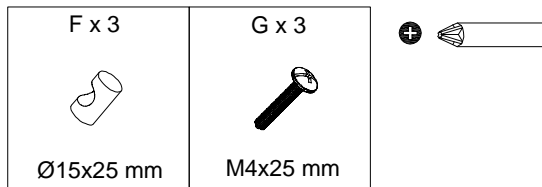
# 6



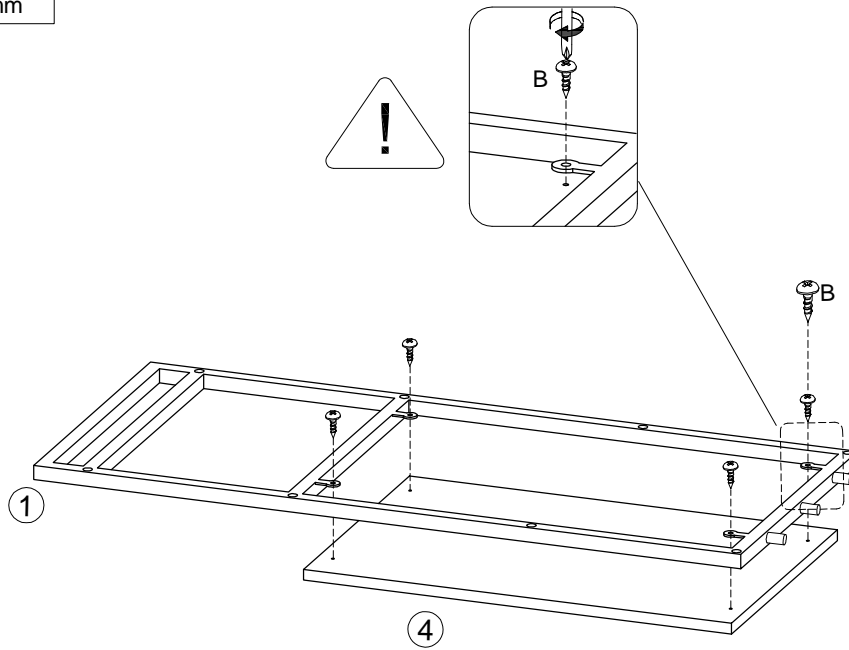
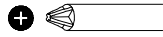
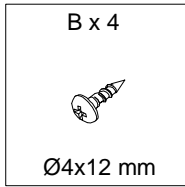
# 7



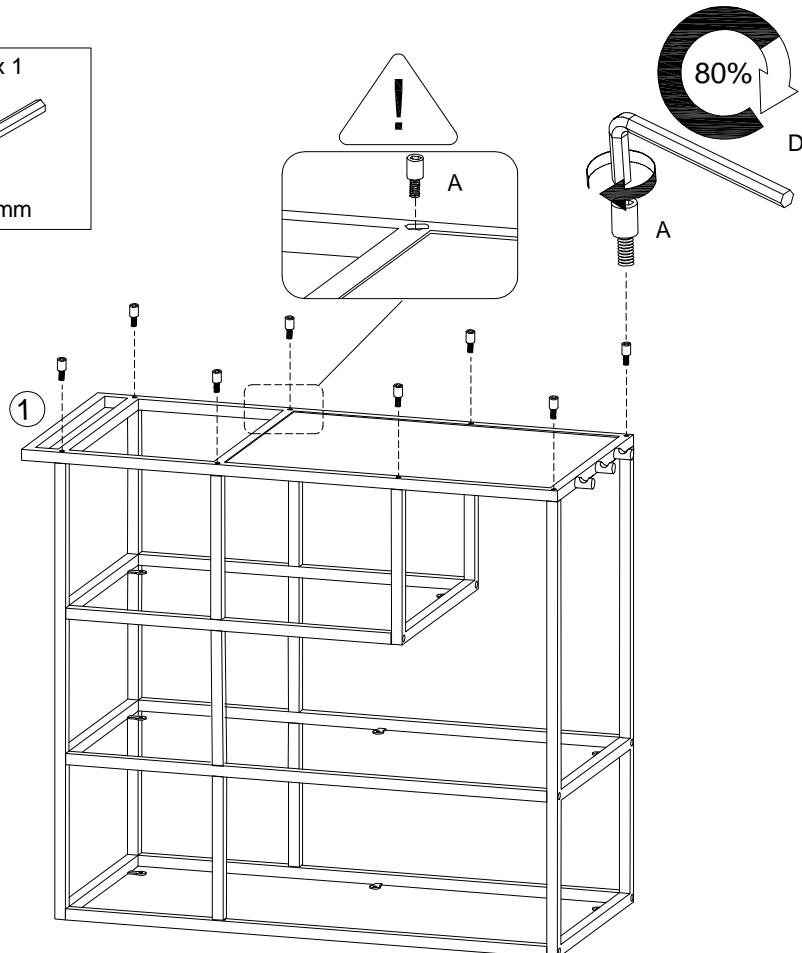
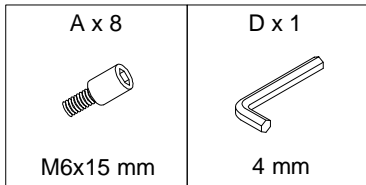
# 8



# 9

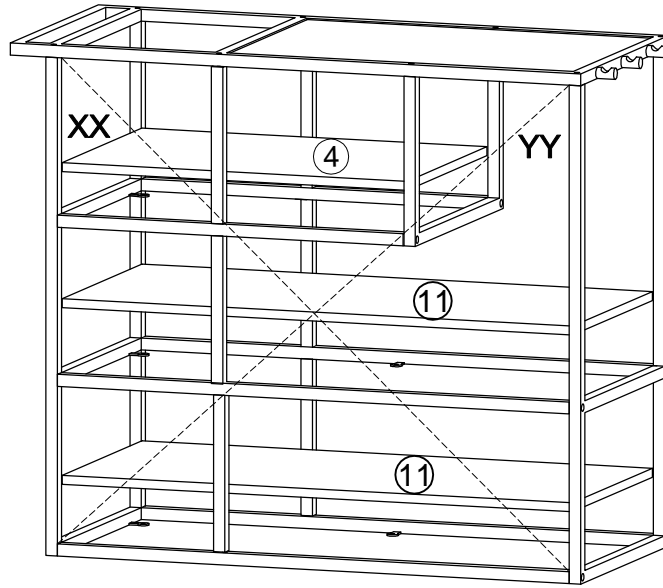


# 10

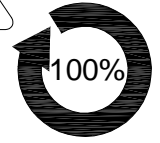




# 11

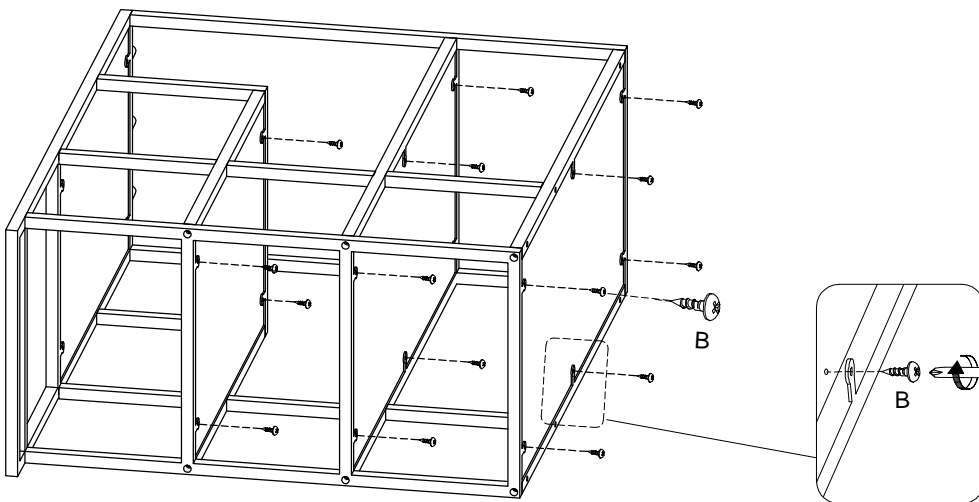
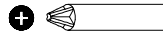
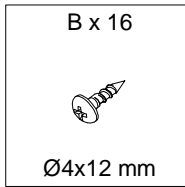


$XX=YY$

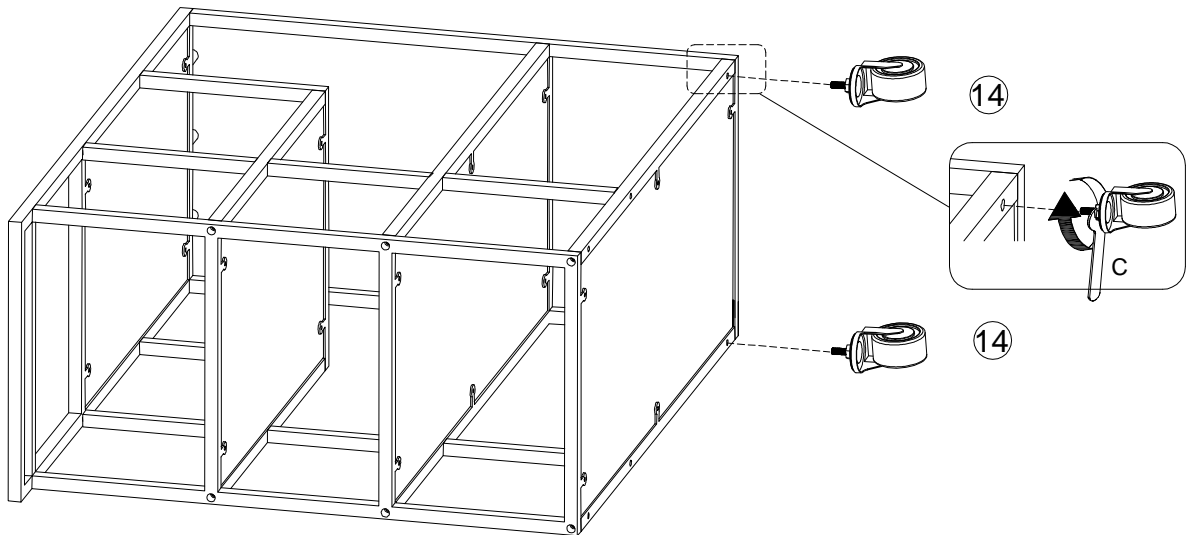
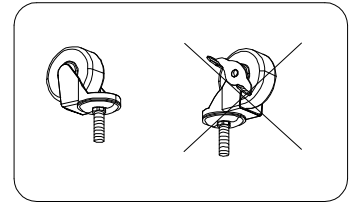
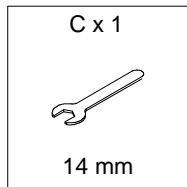


$A \times 22$

# 12



# 13



# 14

