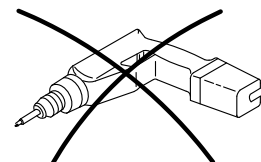
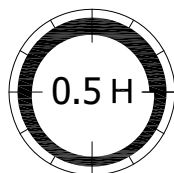
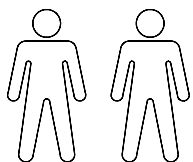
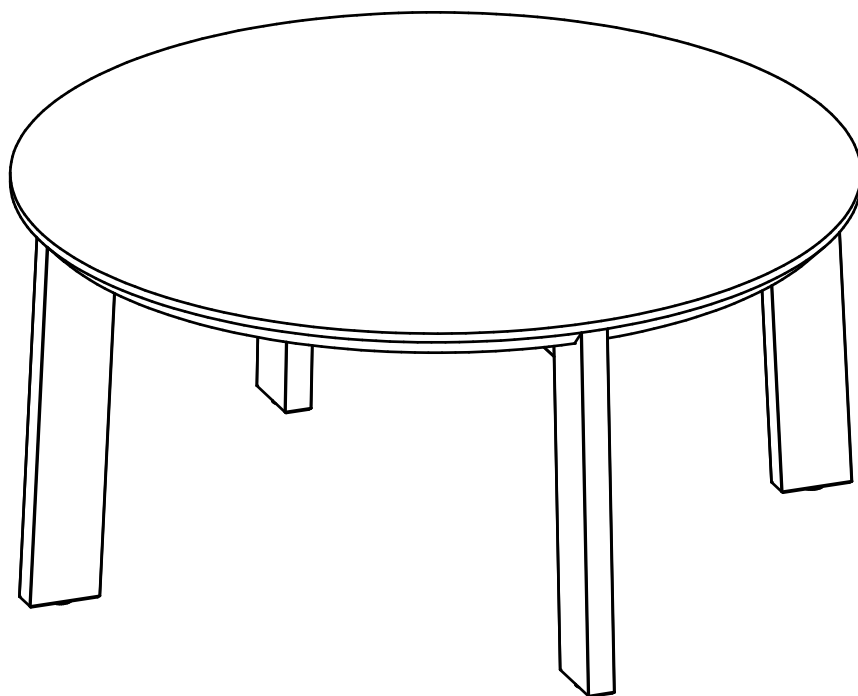
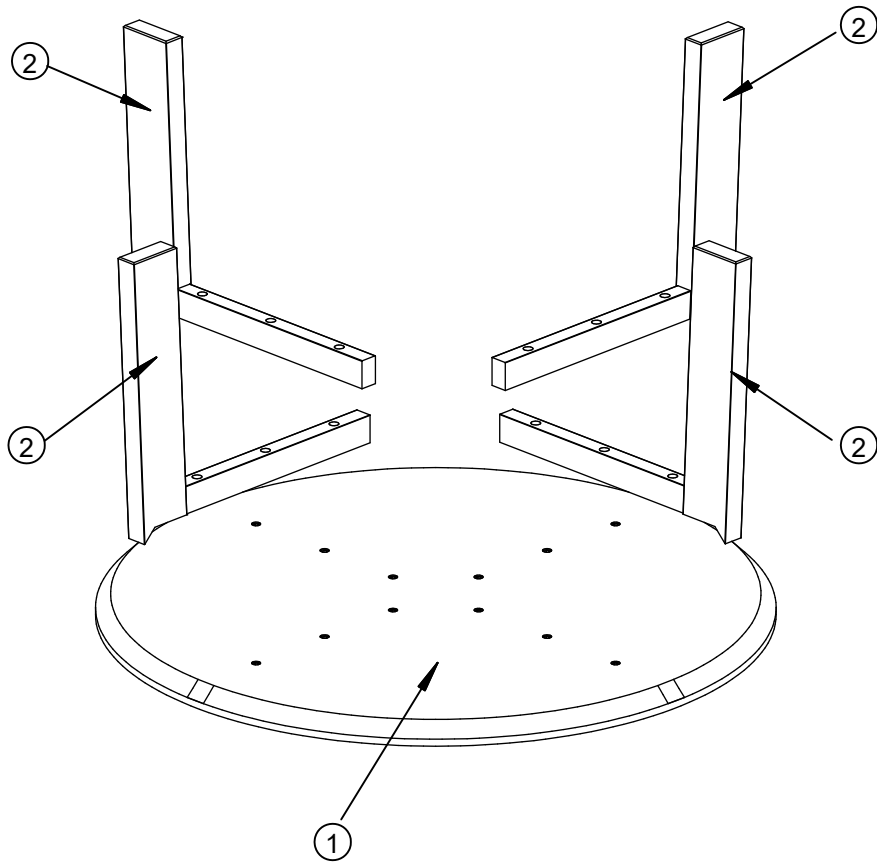
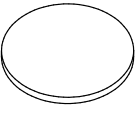
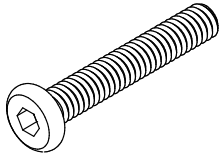
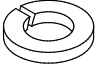
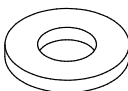
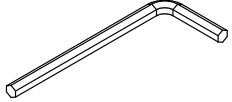


MAXIME

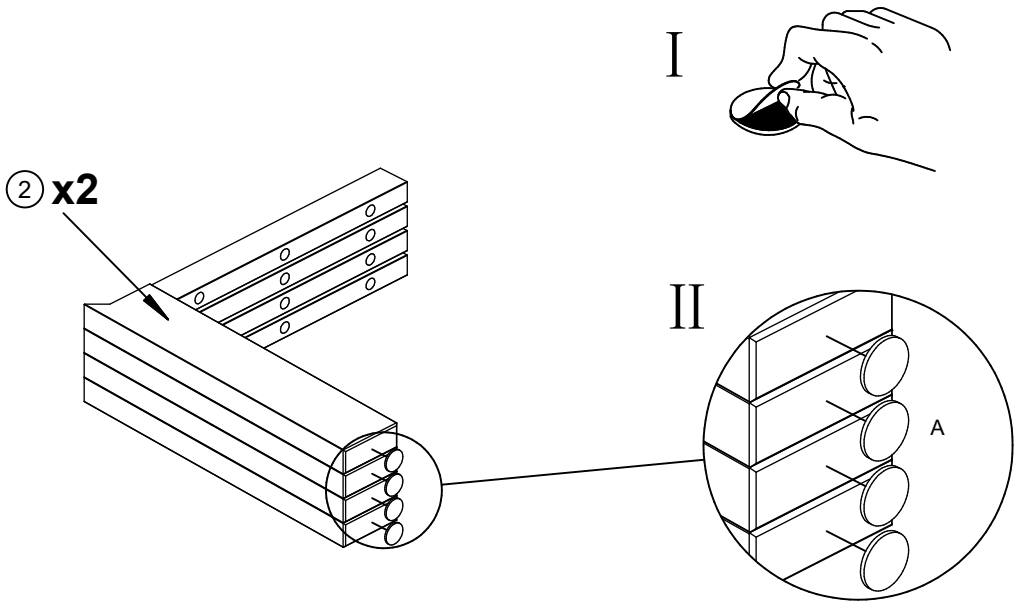
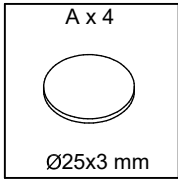


			✓
①	1	Ø900x30	
②	4	410x444x30	



<p>A x 4</p>  <p>Ø 25x3 mm</p>	<p>B x 12</p>  <p>M6x35 mm</p>	<p>C x 12</p>  <p>Ø 6 mm</p>	<p>D x 12</p>  <p>Ø 6 / Ø 12 mm</p>	<p>E x 1</p>  <p>4 mm</p>
---	---	---	--	--

1



2

