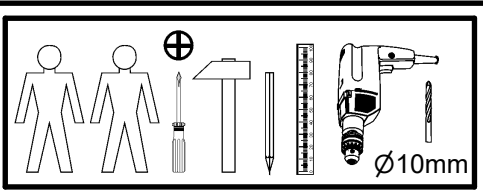
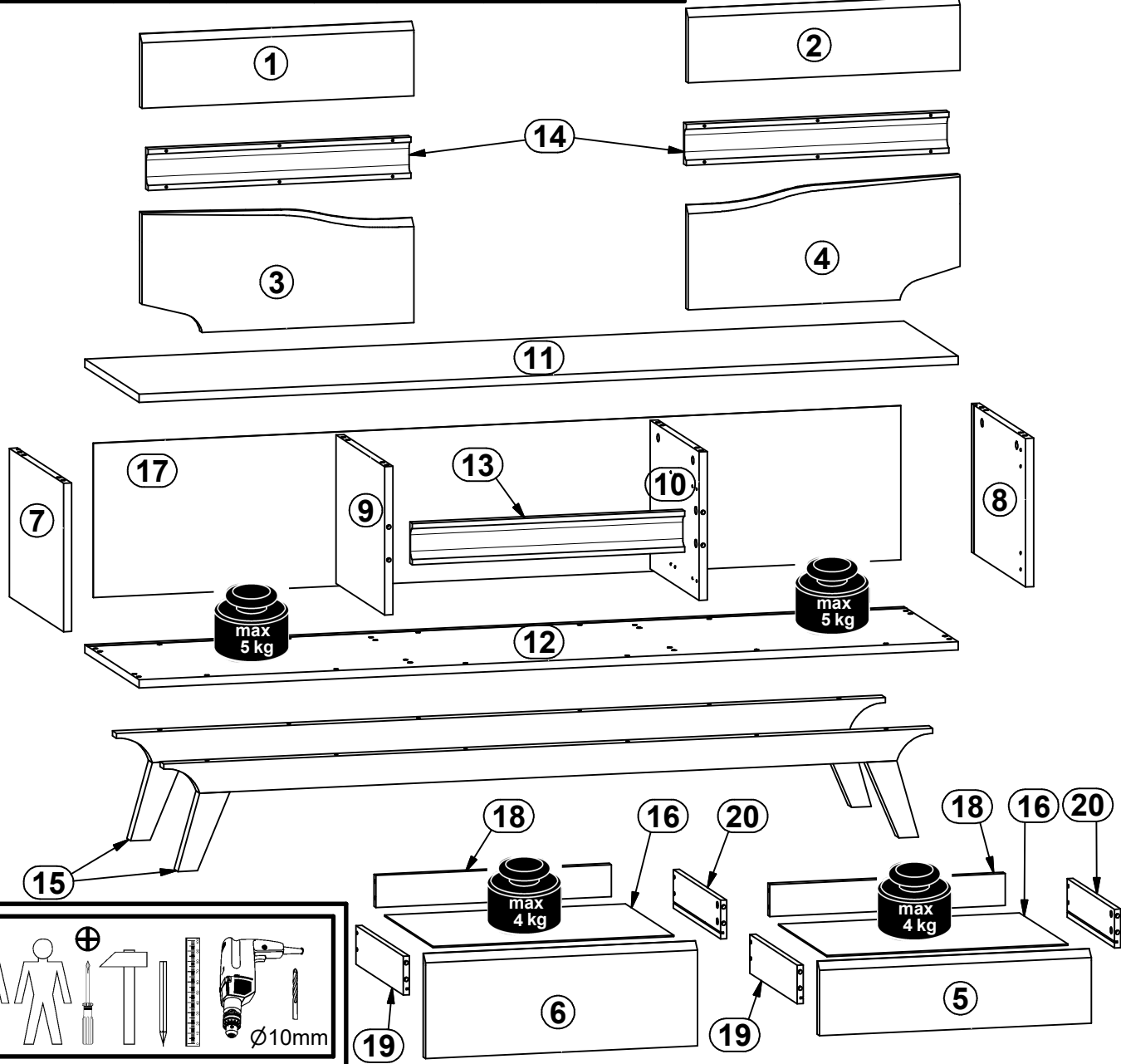
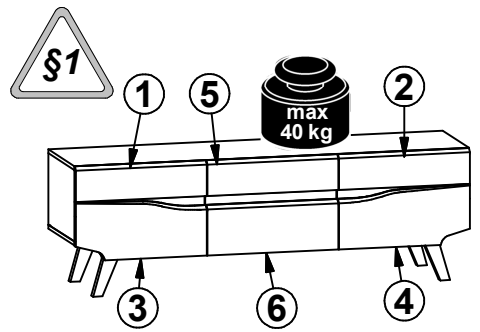
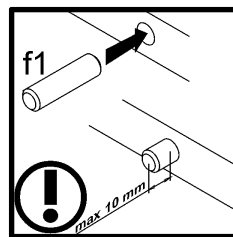
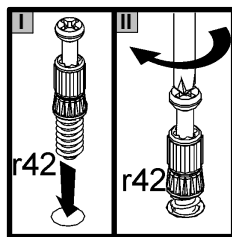
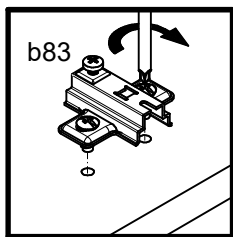
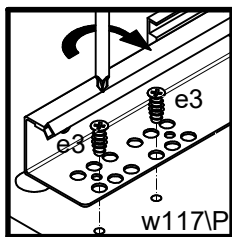
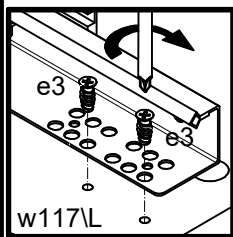
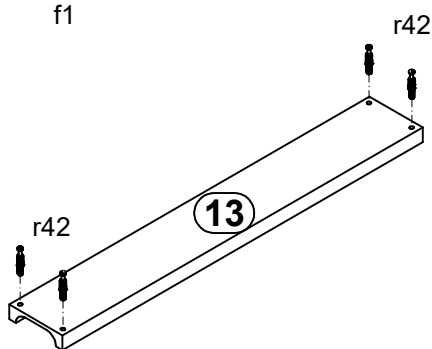
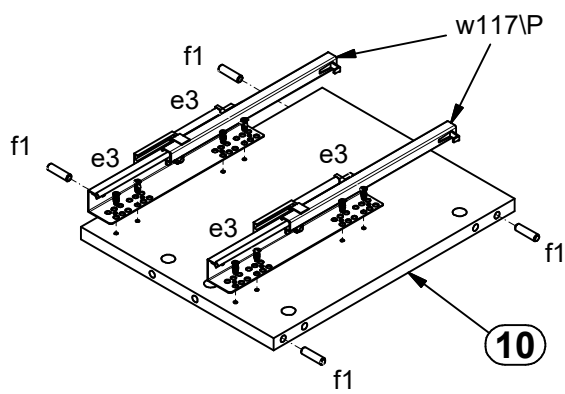
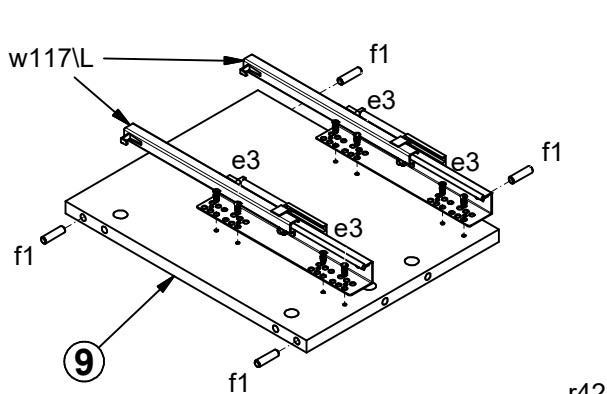
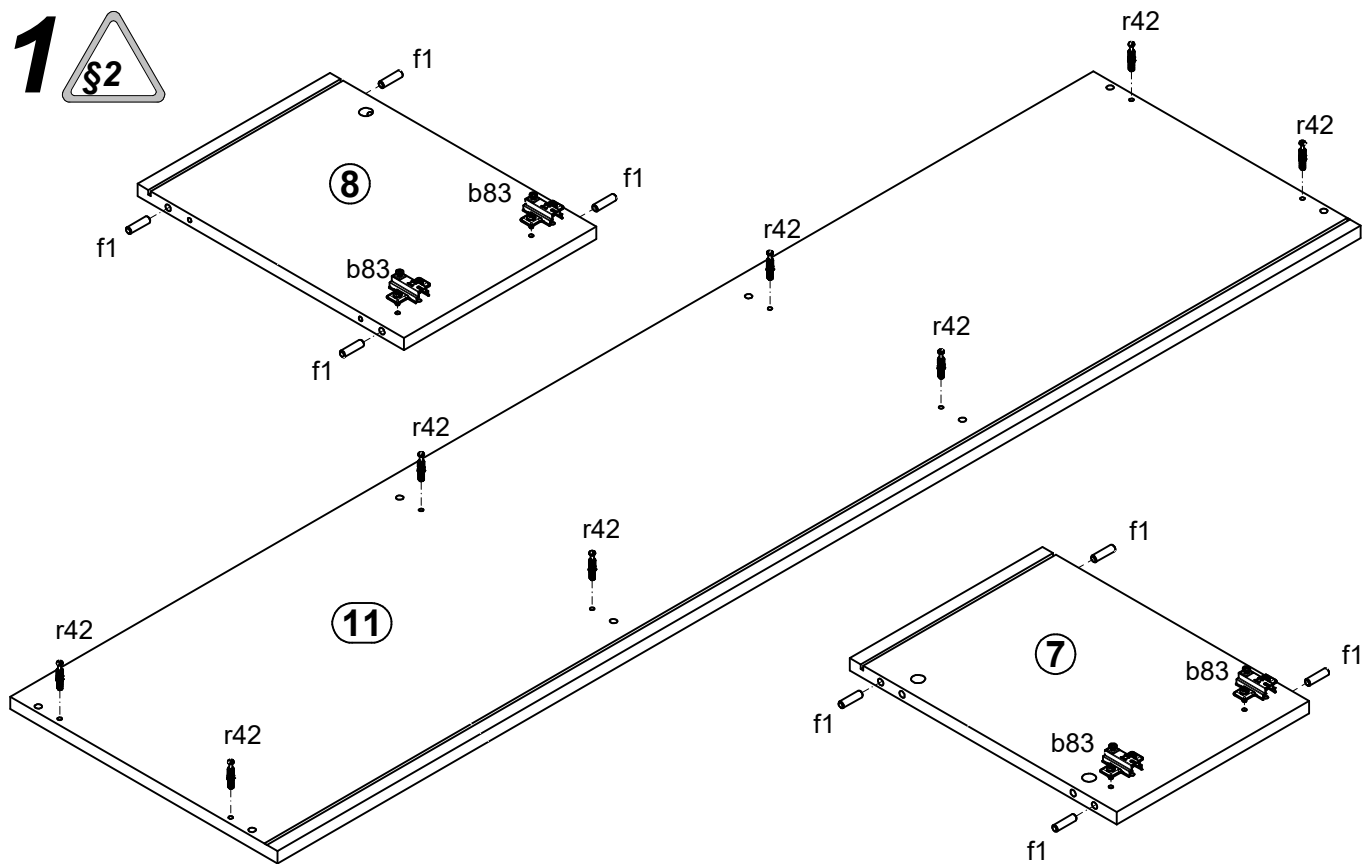


A	B	C	D	A	B	C	D		
1	S431-0001	538	142	2/2	11	S431-2001	1621	400	1/2
2	S431-0002	538	142	2/2	12	S431-2002	1621	400	1/2
3	S431-0003	538	237	2/2	13	S431-5001	539	80	1/2
4	S431-0004	538	237	2/2	14	S431-5002	520	80	1/2
5	S431-0005	538	142	2/2	15	S431-5005	1522	210	1/2
6	S431-0006	538	201	2/2	16	S431-9001	477	357	1/2
7	S431-1001	288	399	1/2	17	S431-9002	1598	299	1/2
8	S431-1002	288	399	1/2	18	ZQ6-5031	466	62	1/2
9	S431-1003	288	361	1/2	19	ZQ6-527	350	75	1/2
10	S431-1004	288	361	1/2	20	ZQ6-528	350	75	1/2

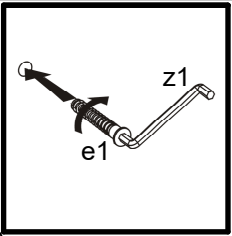
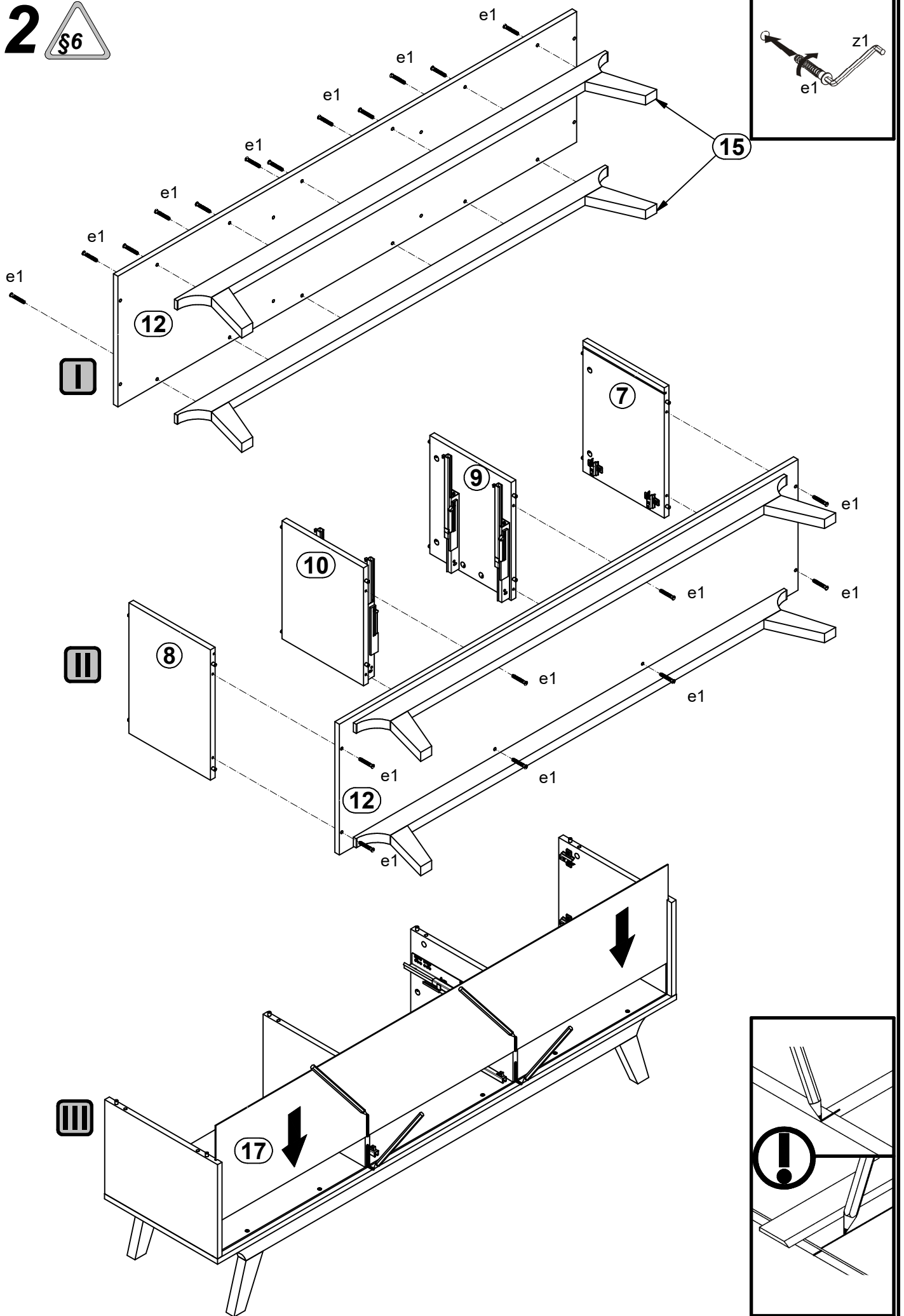


2x a133	4x a158	4x b83	20x e1	16x e3	16x f1	8x f25	8x l2	12x p9		
10x p38	8x p51	4x p55	12x r1	8x r15	20x r42	2x W117/L	2x W117/P	8x s59		
4x s68	1x z1								1x n261/1	1x p38

1 



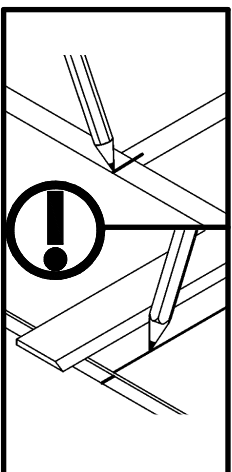
2



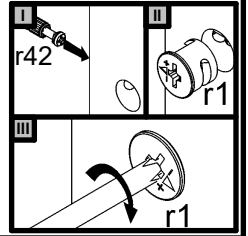
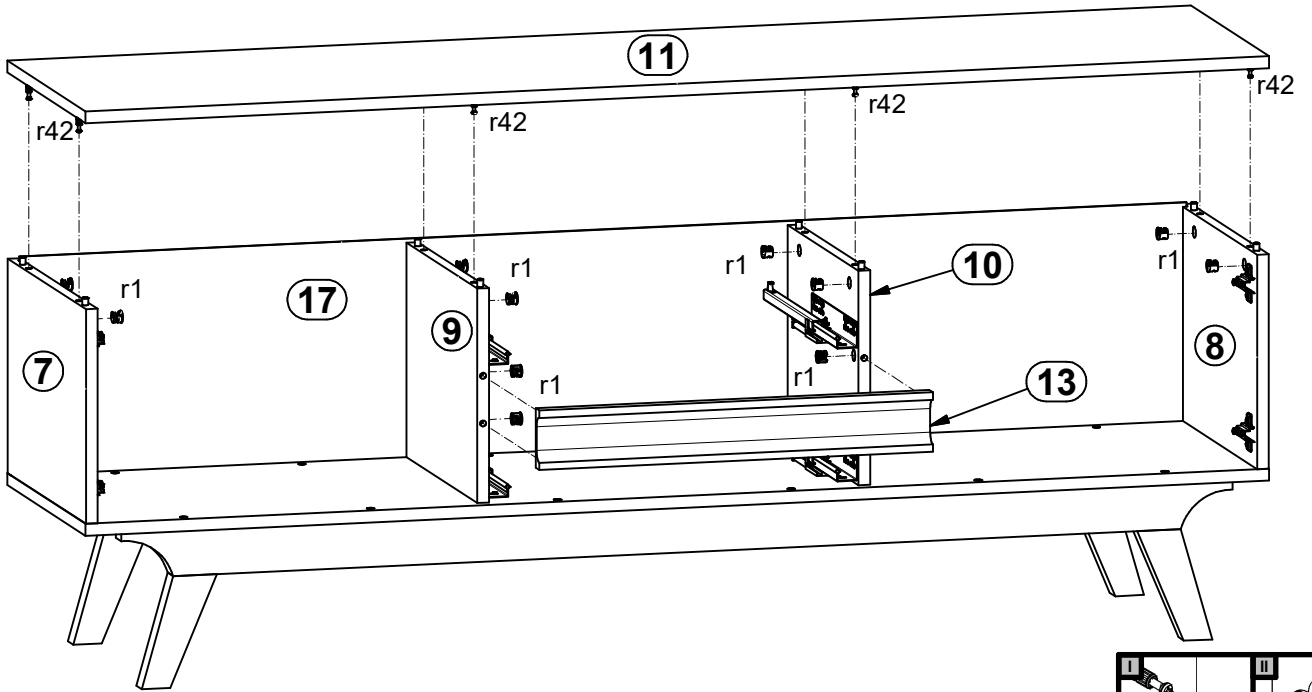
I

II

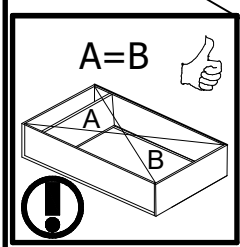
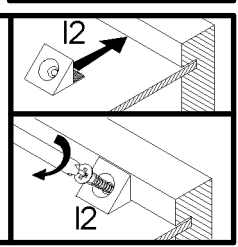
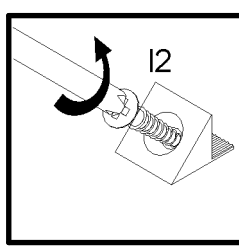
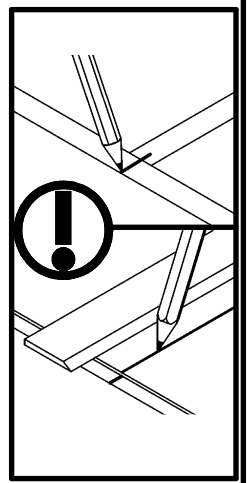
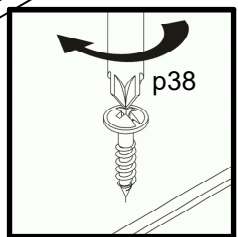
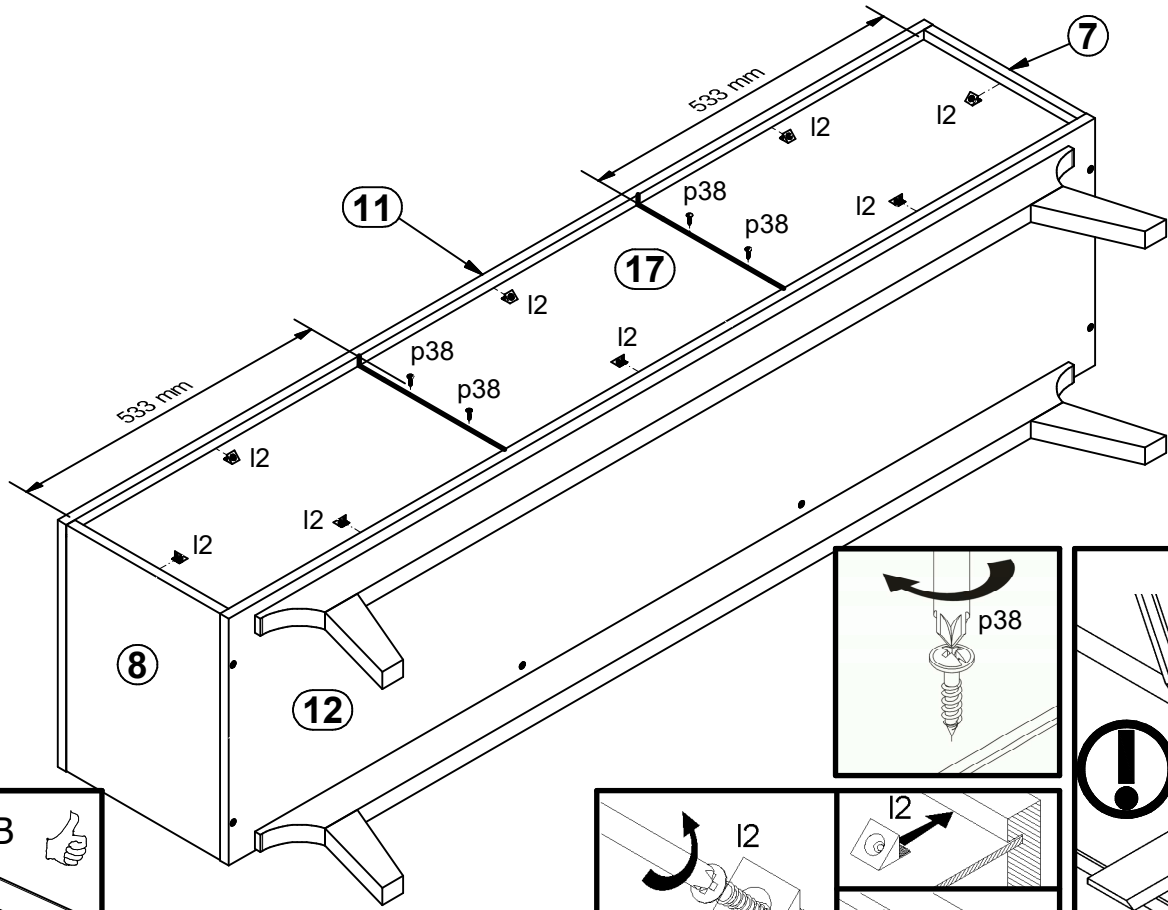
III

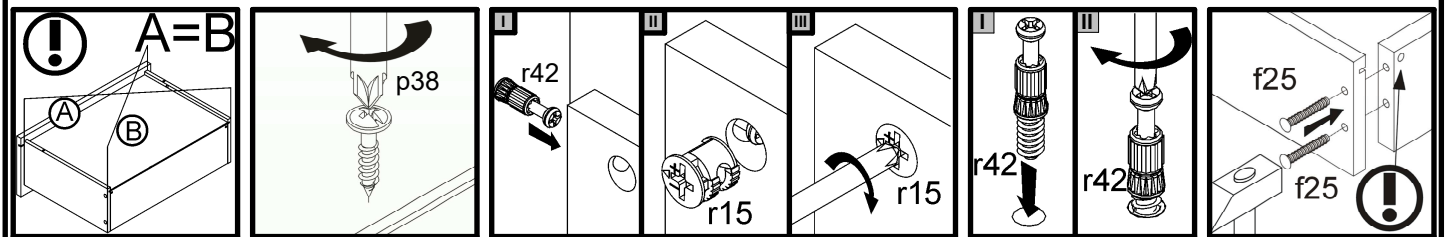
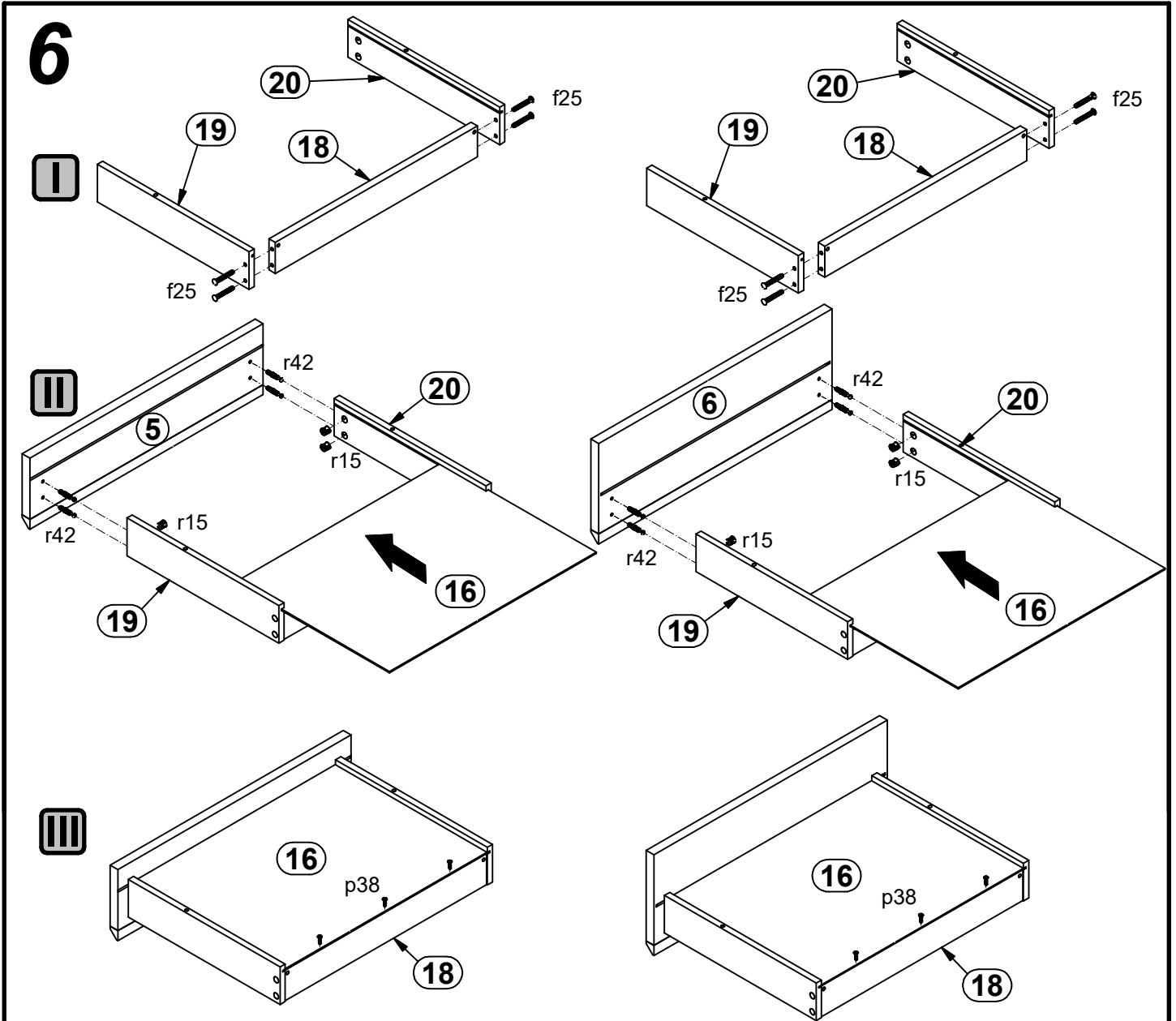
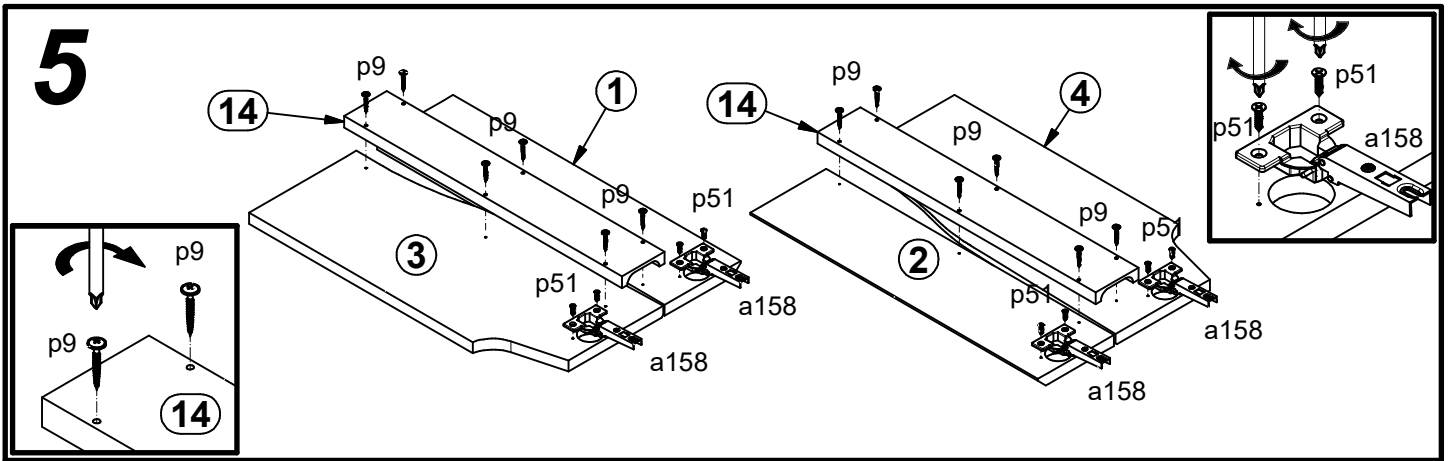


3



4





7

