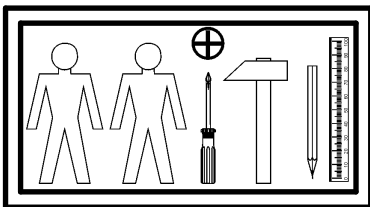
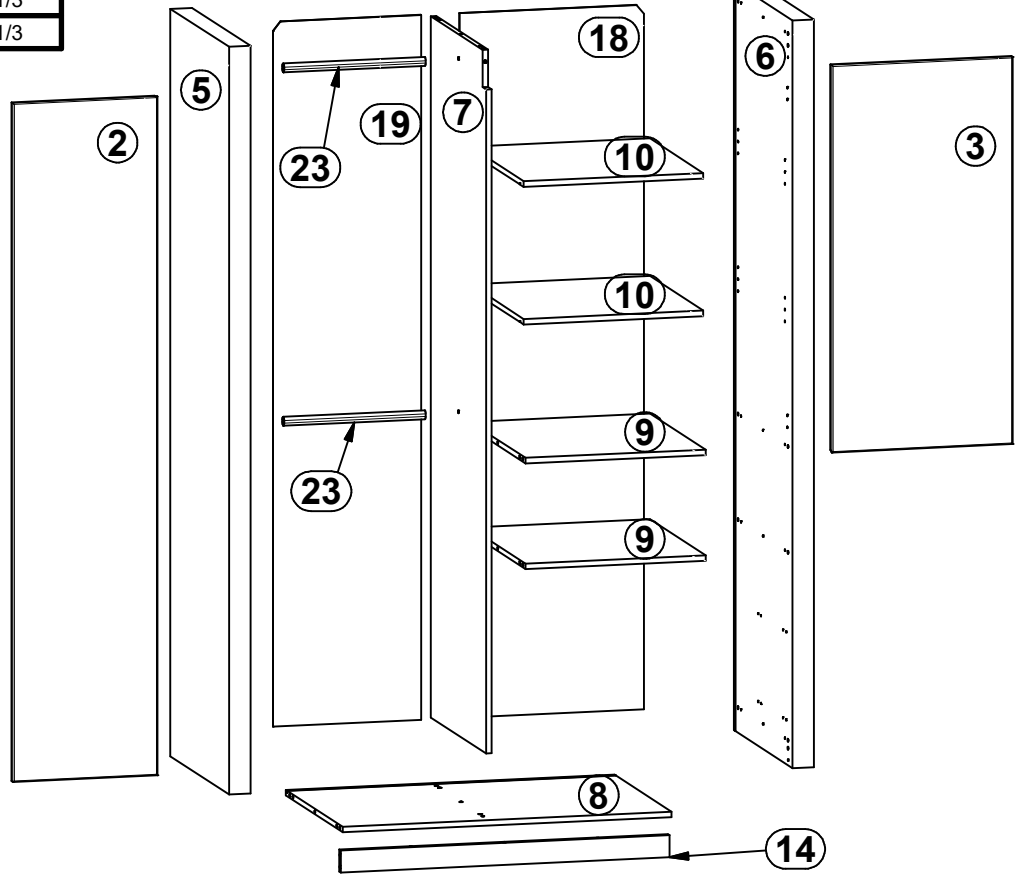
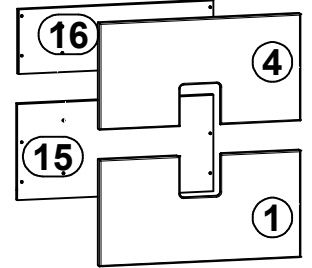
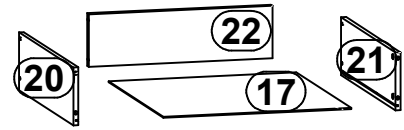
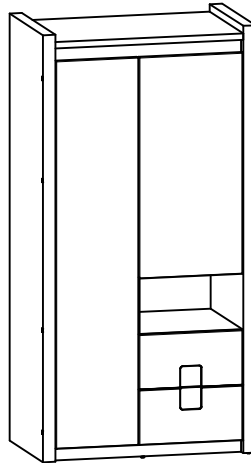
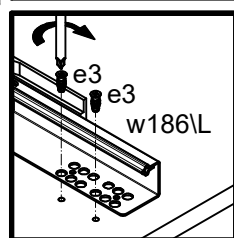
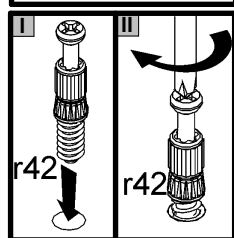
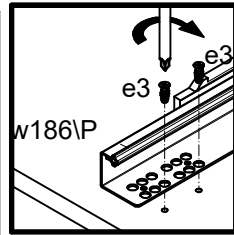
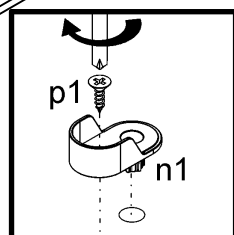
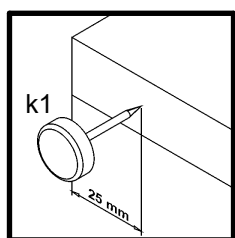
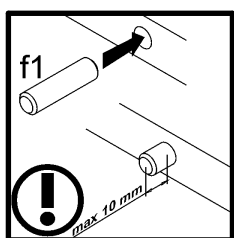
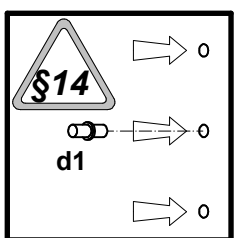
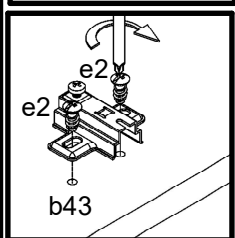
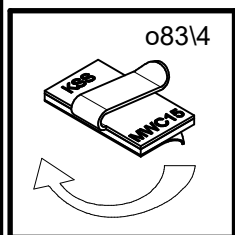
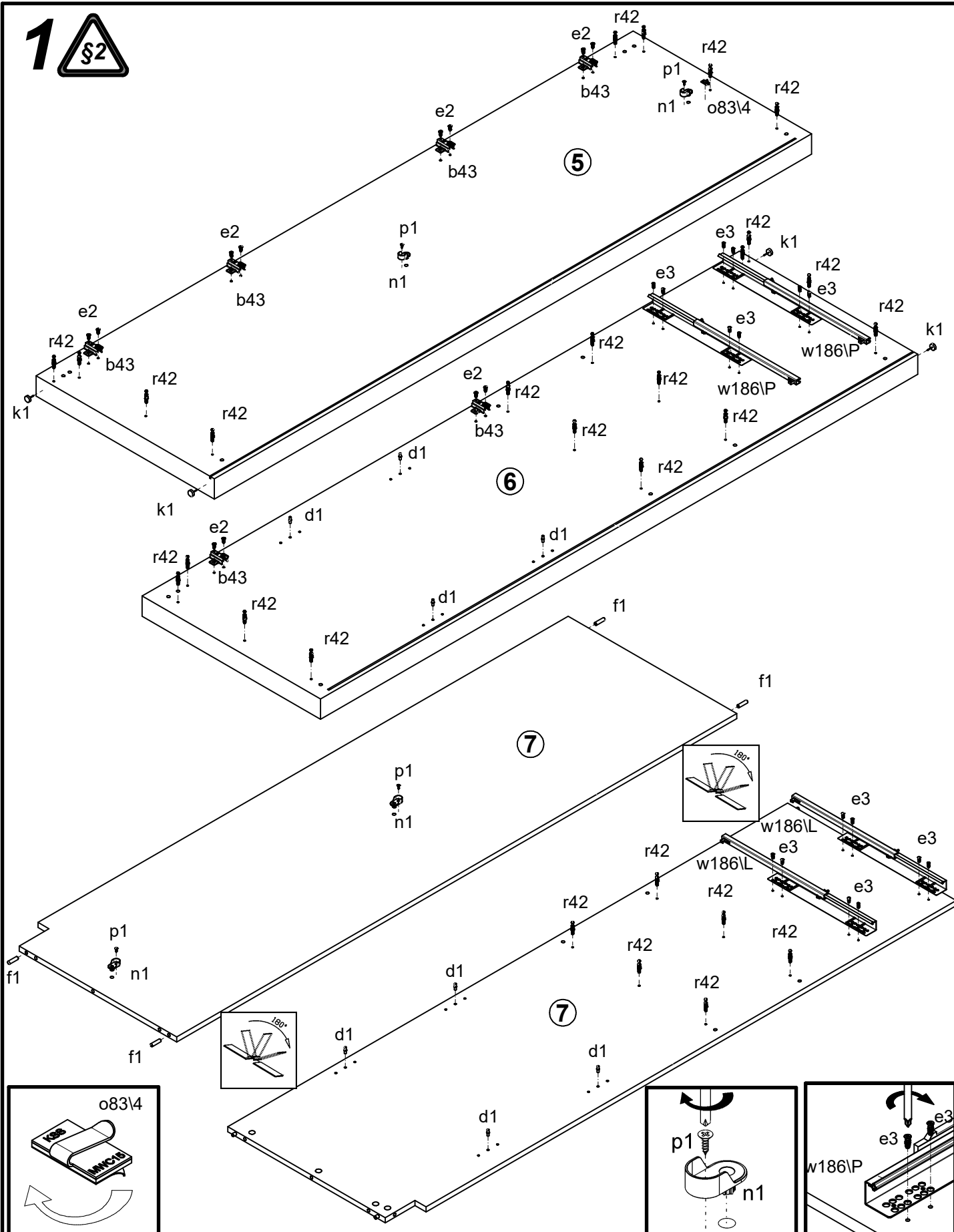


A	B	C	D	
1	S420-0010	496	258	3/3
2	S420-0018	1824	396	3/3
3	S420-0019	1041	496	3/3
4	S420-0020	496	258	3/3
5	S420-1016	2009	600	2/3
6	S420-1017	2009	600	2/3
7	S420-1018	1884	567	2/3
8	S420-3018	901	583	1/3
9	S420-3019	493	567	1/3
10	S420-3020	492	547	1/3
11	S420-3021	901	599	1/3
12	S420-4004	901	78	1/3
13	S420-5003	901	37	1/3
14	S420-4006	901	60	1/3
15	S420-4007	484	233	3/3
16	S420-4034	481	156	3/3
17	S420-9012	505	463	1/3
18	S420-9013	1894	505	3/3
19	S420-9014	1894	406	3/3
20	ZQ6-515	500	140	1/3
21	ZQ6-516	500	140	1/3
22	ZQ6-5023	453	127	1/3
23	dr-388	388,	30	1/3

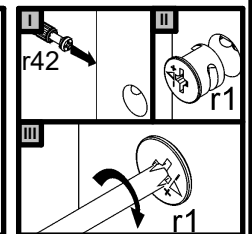
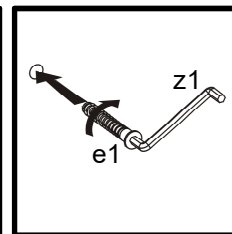
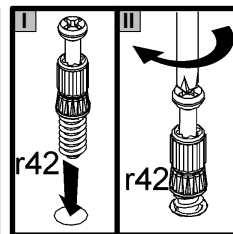
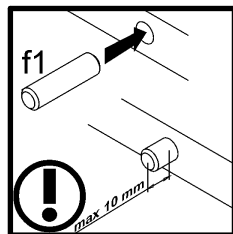
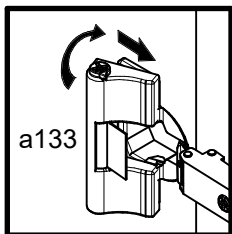
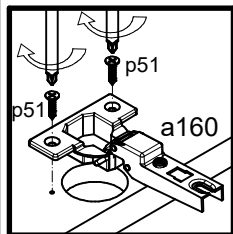
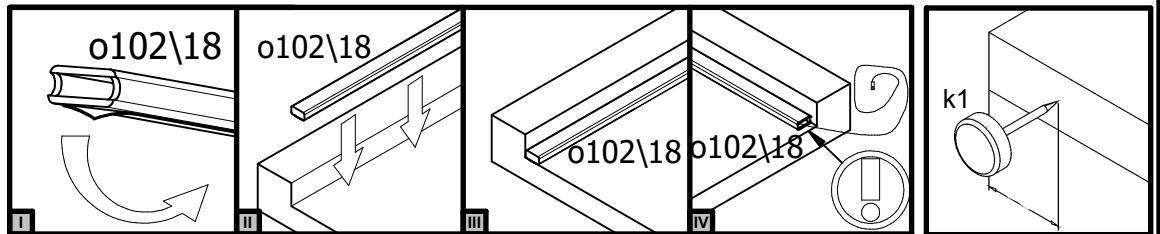
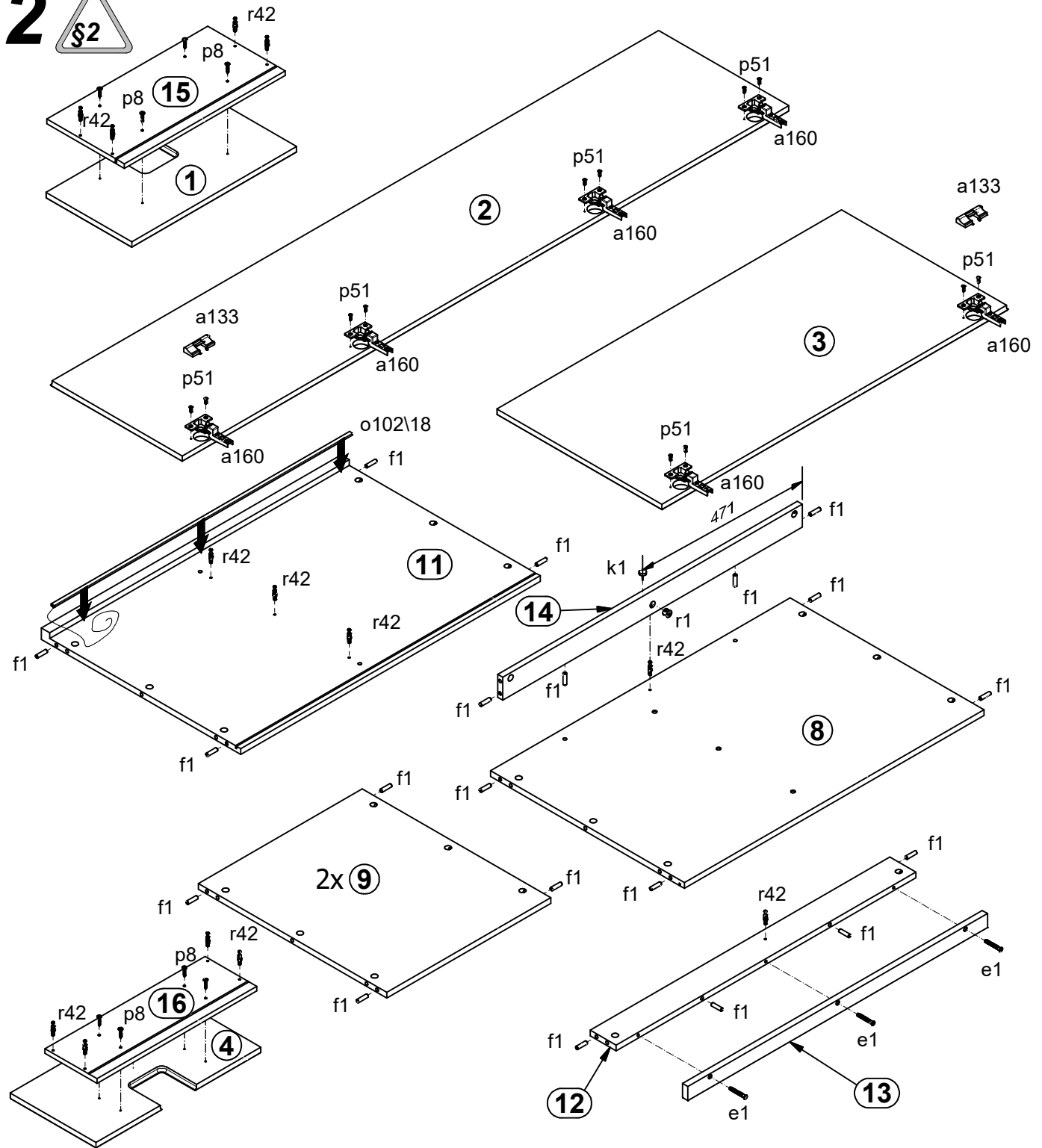


2x  a133	6x  a160	6x  b43	8x  d1	6x  e1	12x  e2	16x  e3	8x  f25	28x  f1
5x  k1	14x  l2	4x  n1	1x  n26	6x  n108	1x  o102118	1x  o8314	4x  p1	8x  p8
7x  p38	12x  p51	16x  p55	33x  r1	8x  r15	41x  r42	2x  w186L	2x  w186P	3x  s1
16x  s2	1x  z1	1x  o7019						

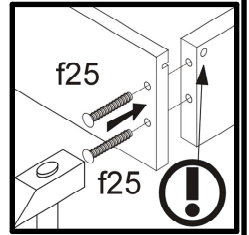
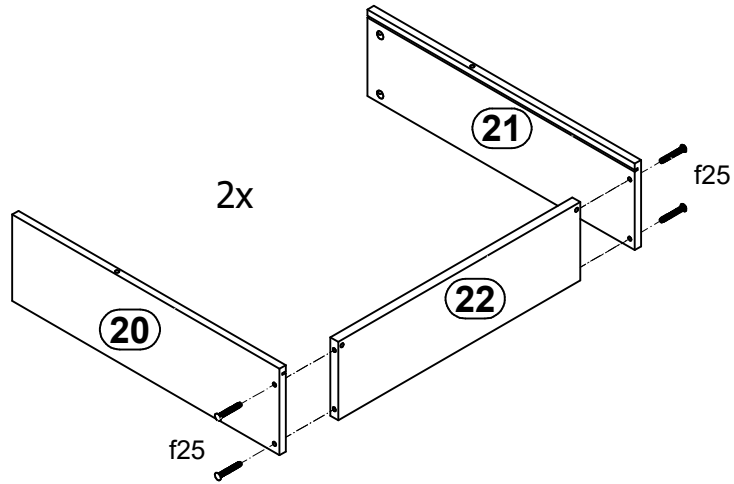
1 



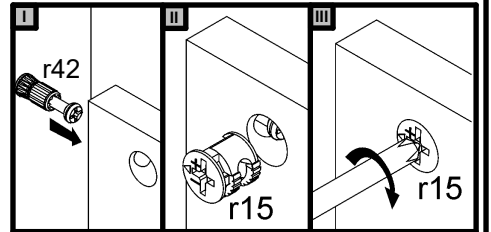
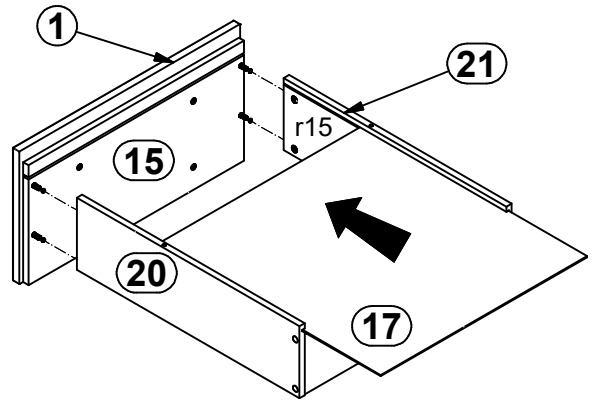
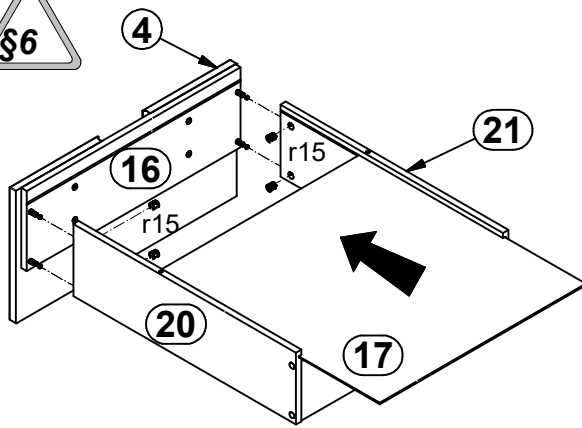
# 2



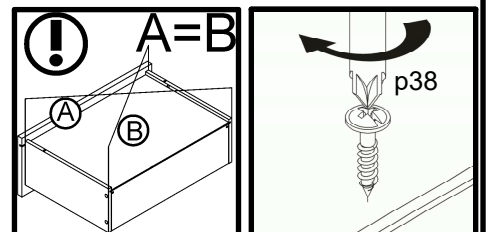
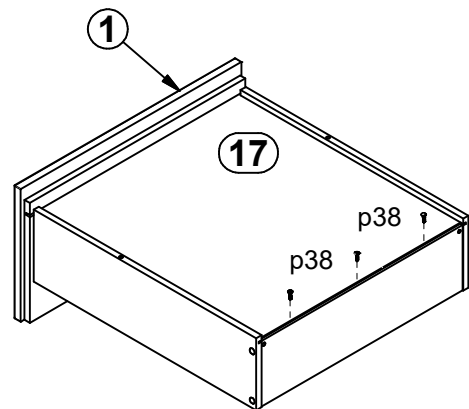
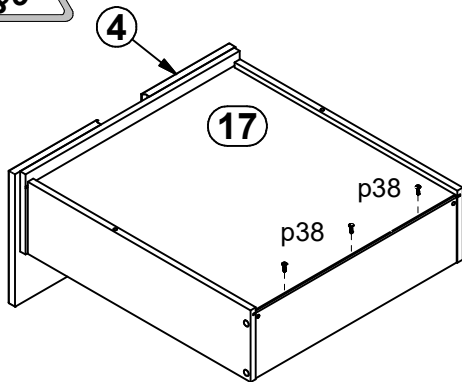
# 3



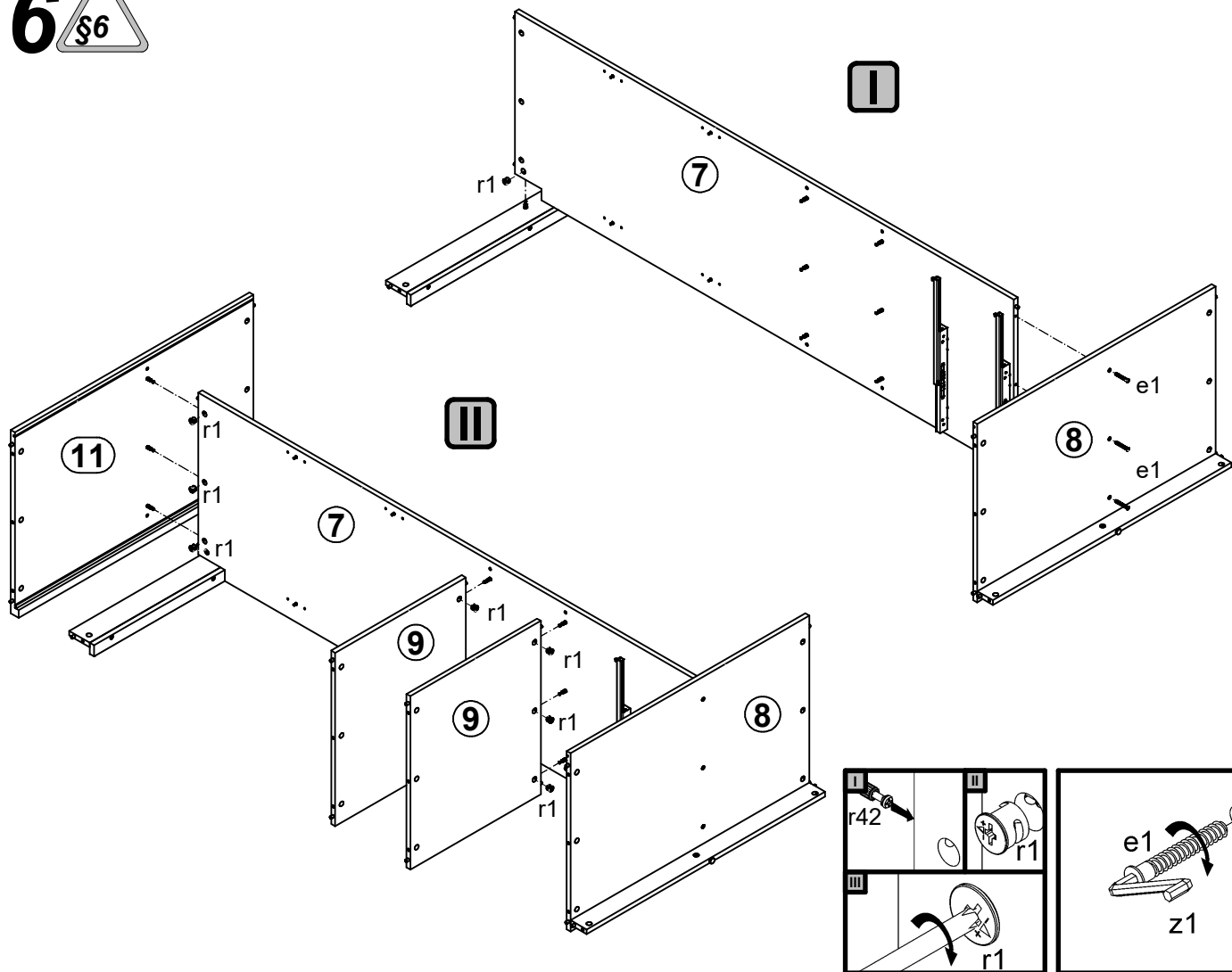
# 4



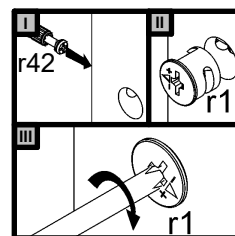
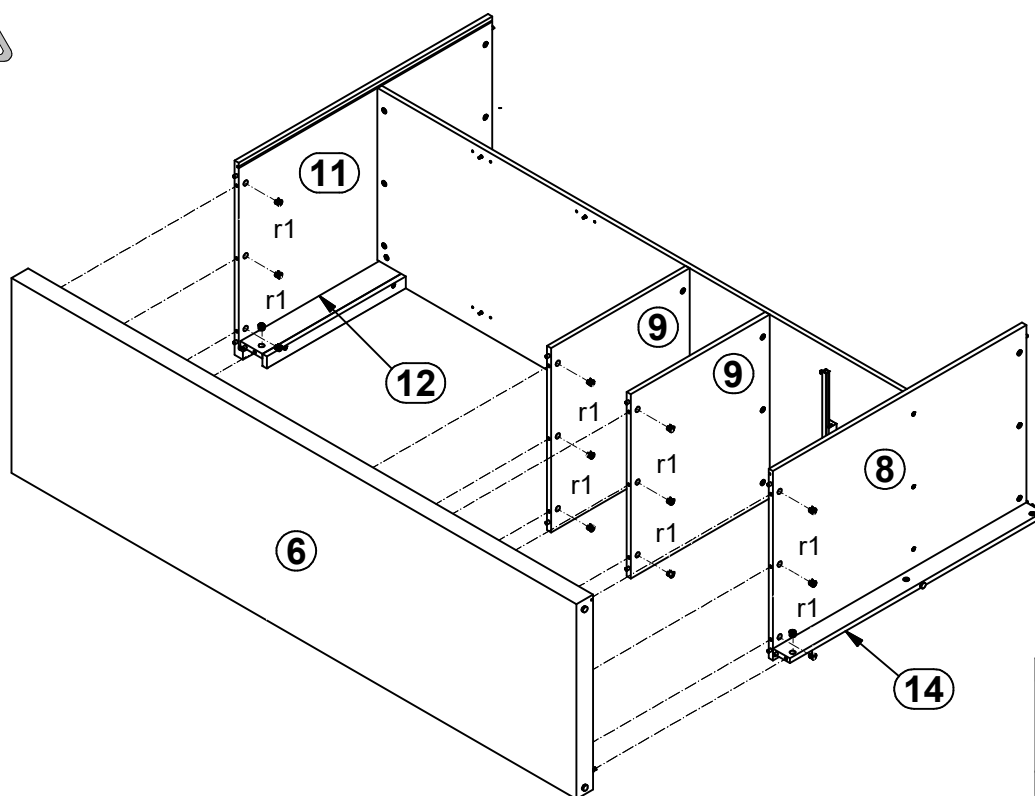
# 5



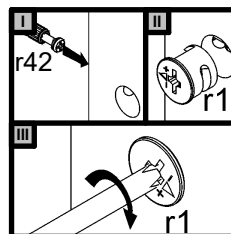
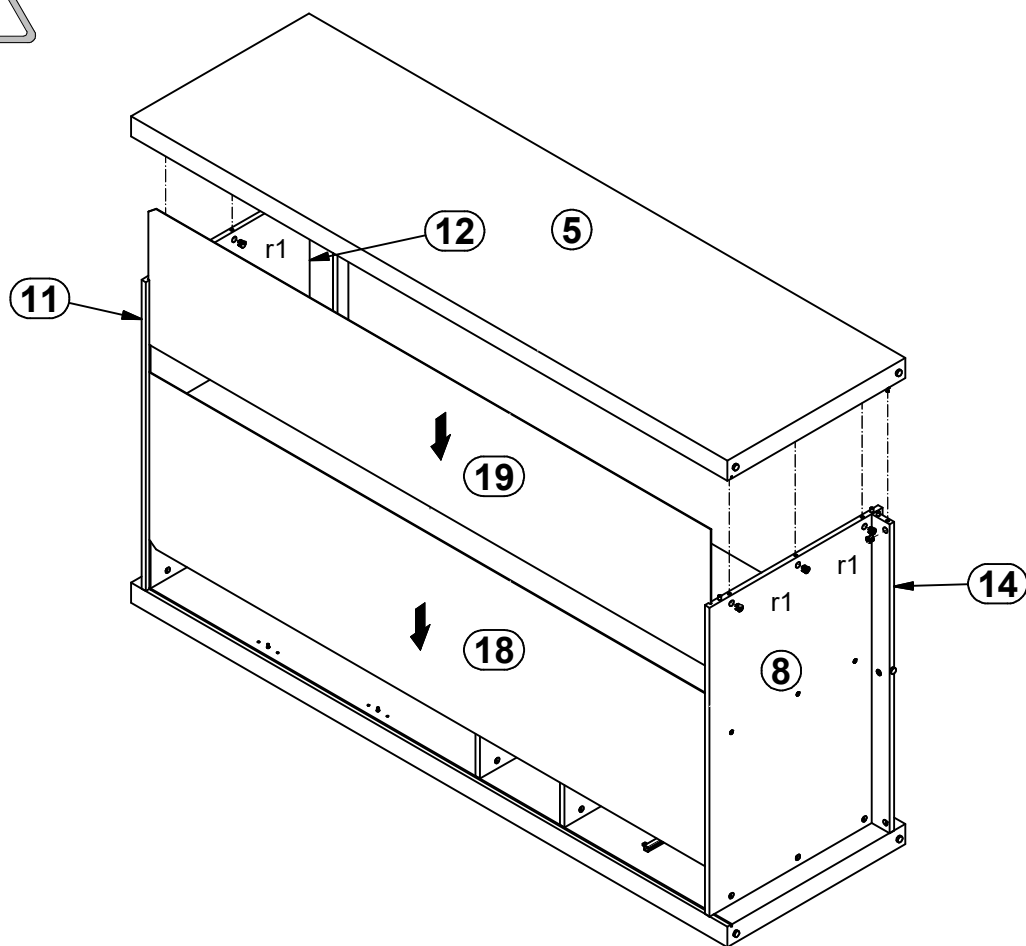
6 §6



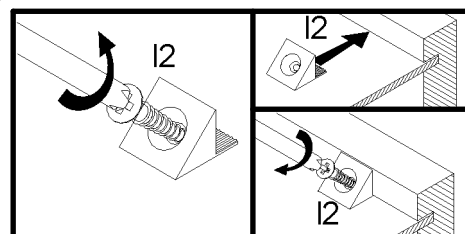
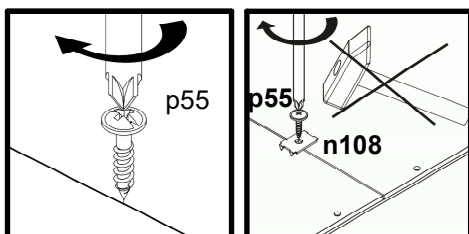
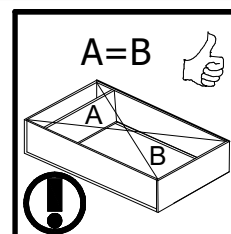
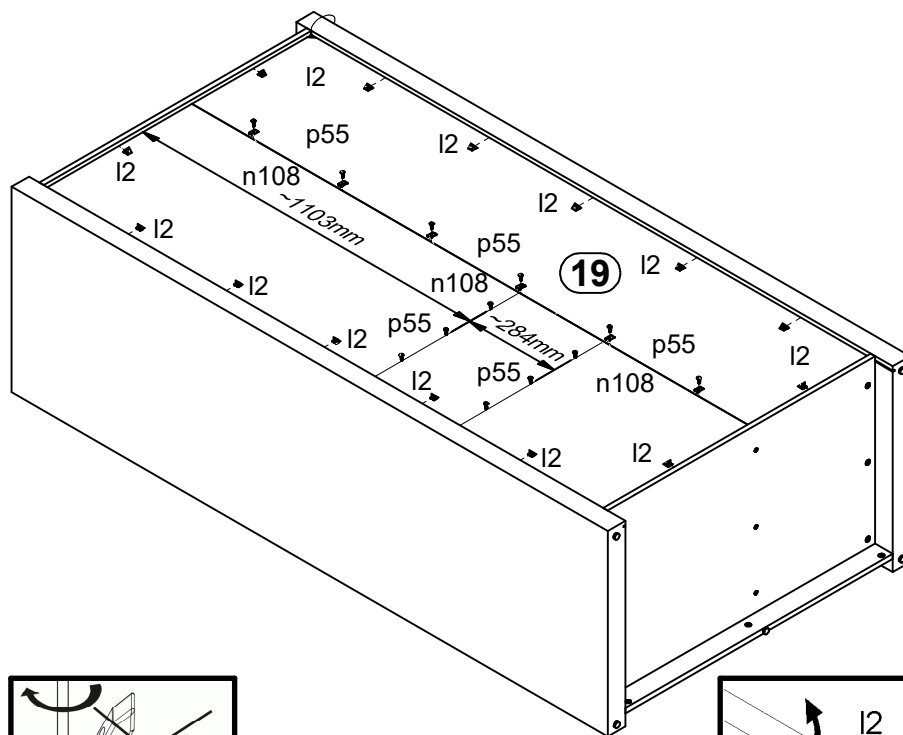
7 §6



# 8



# 9



# 10

