

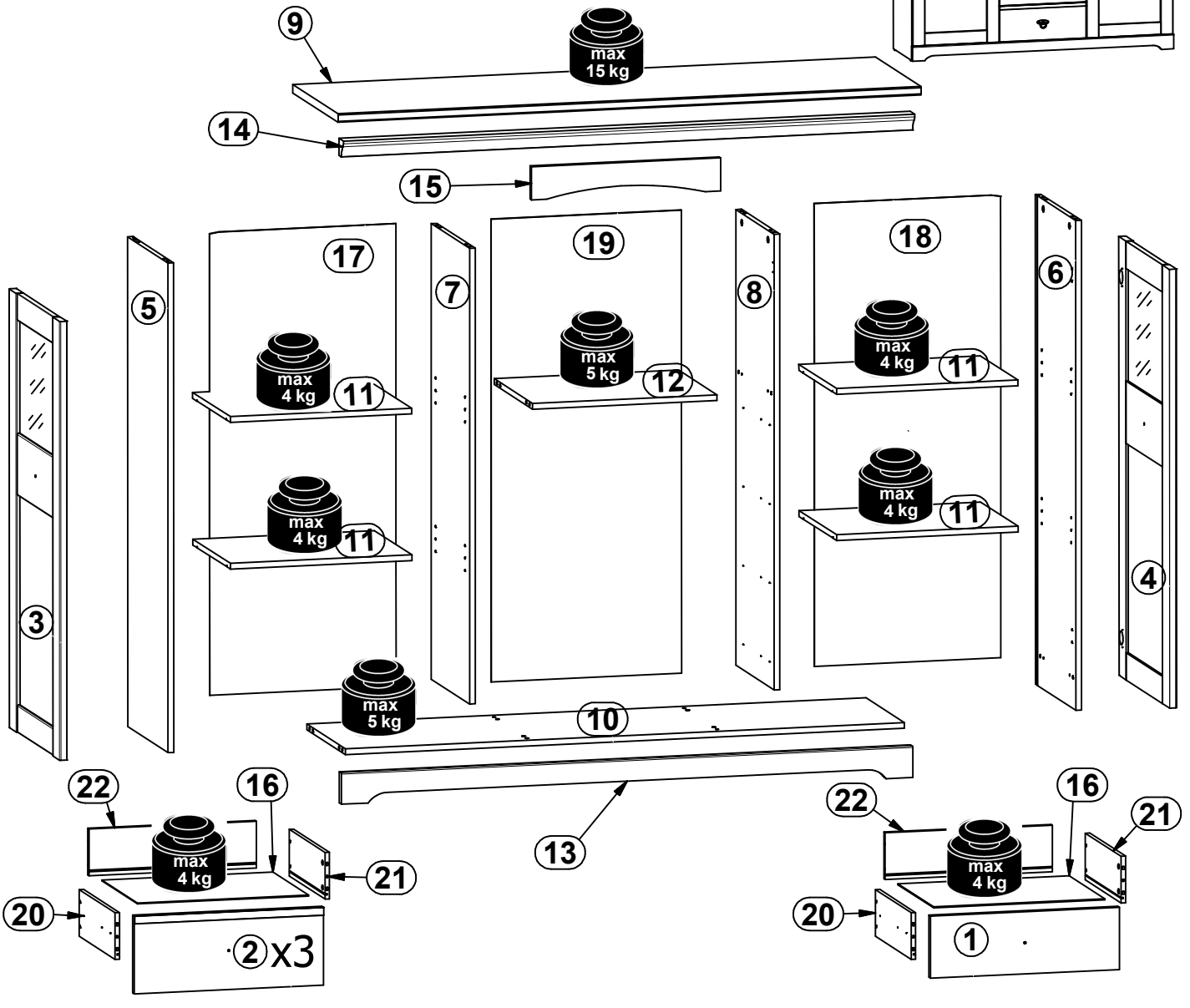
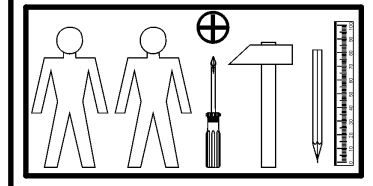
A

PATRAS

S405-KOM2W4S

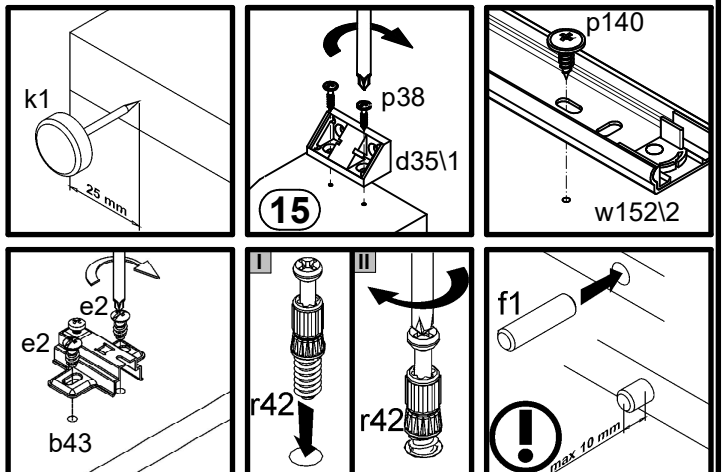
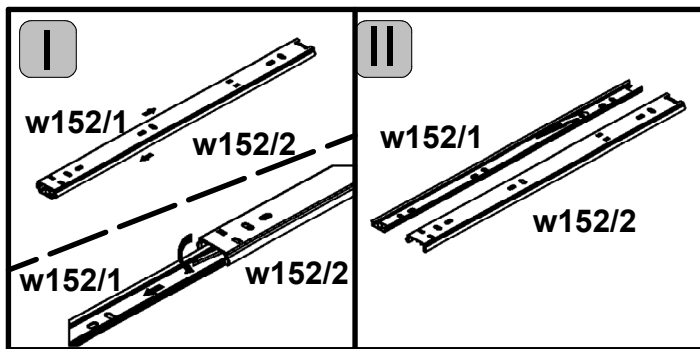
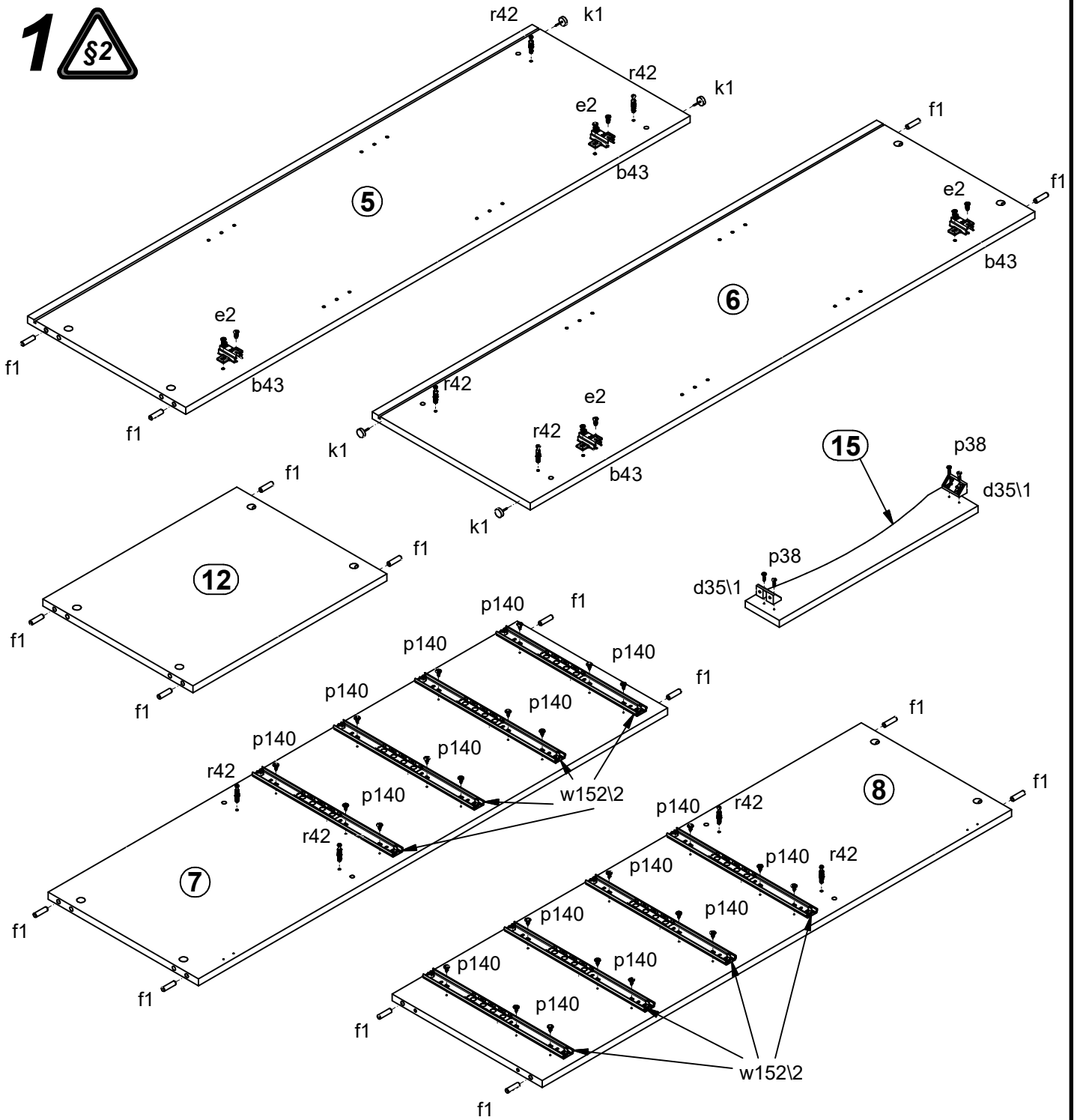
A	B	C	D
1	S405-0001	496	160 3/3
2	S405-0002	496	200 3/3
3	S405-0019	1129	496 3/3
4	S405-0020	1129	496 3/3
5	S405-1031	1260	395 1/3
6	S405-1032	1260	395 1/3
7	S405-1033	1172	375 1/3
8	S405-1034	1172	375 1/3
9	S405-2001	1529	445 2/3
10	S405-3001	1467	375 2/3
11	S405-3002	476	370 2/3

A	B	C	D
12	S405-3023	484	375 2/3
13	S405-5001	1499	80 2/3
14	S405-5002	1499	44 2/3
15	S405-5019	496	85 3/3
16	S405-9001	449	348 1/3
17	S405-9010	1191	489 3/3
18	S405-9011	1191	489 3/3
19	S405-9012	1191	499 3/3
20	ZK1-503	350	120 1/3
21	ZK1-504	350	120 1/3
22	ZS4-5518	439	140 1/3

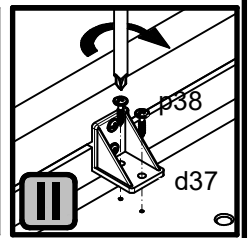
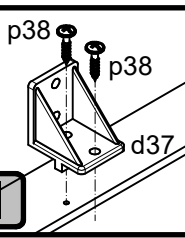
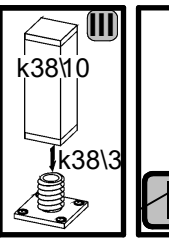
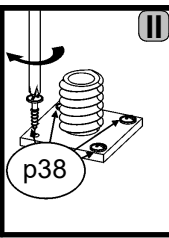
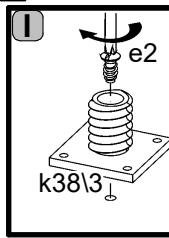
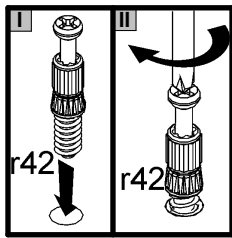
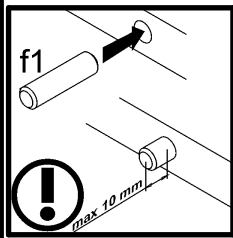
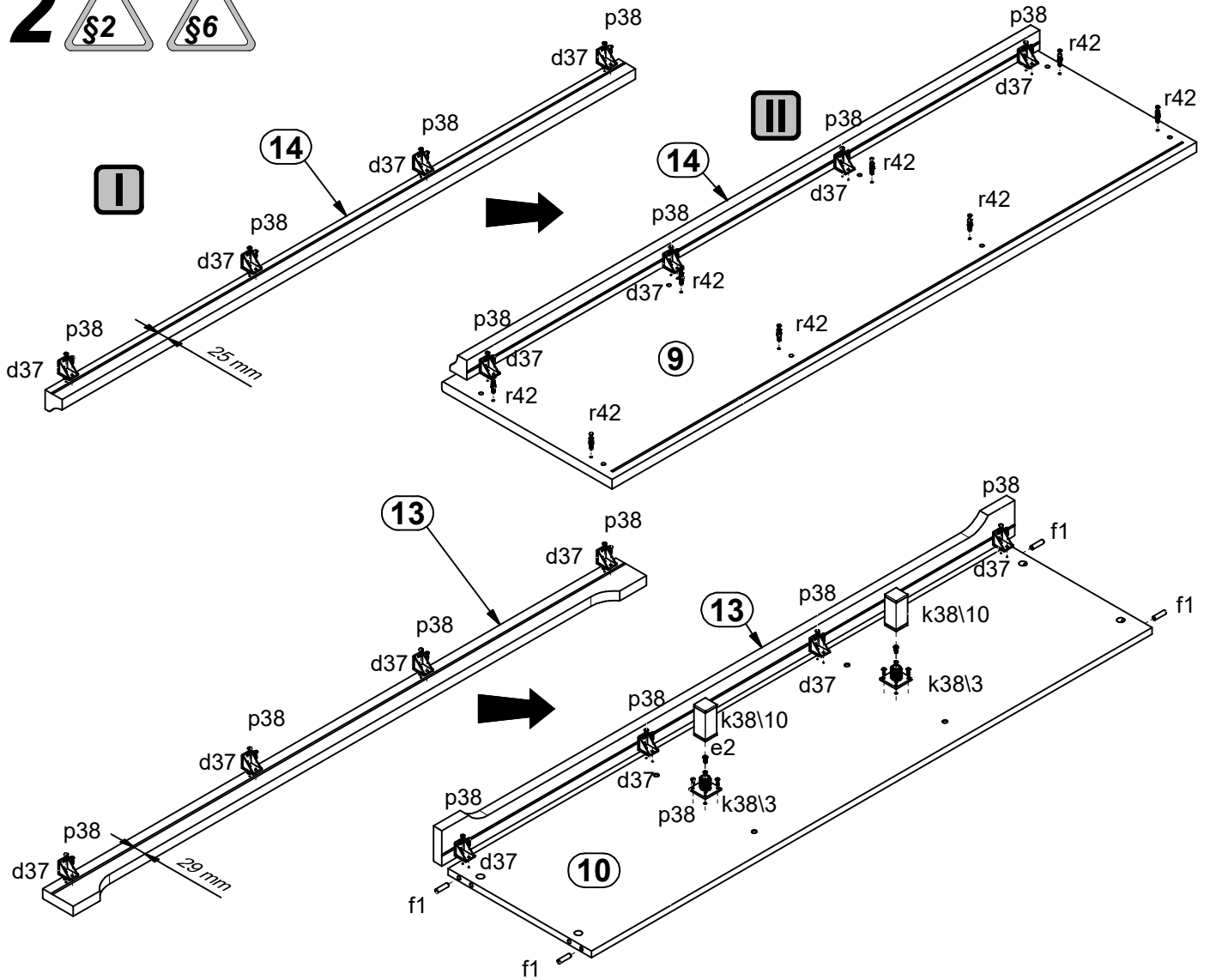


2x a133	4x a158	4x b43	6x c477/1	6x c477/2	16x d1	2x d35/1	2x d35/2	8x d37
4x e1	10x e2	20x f1	8x f9	16x f25	4x j1	2x j30	4x k1	2x k38/10
2x k38/3	20x l1	14x l2	12x n108	48x p38	8x p51	12x p55	48x p140	16x r1
16x r15	32x r42	8x w152/1	8x w152/2	8x s2	1x z1	1x n26/1	1x p38	

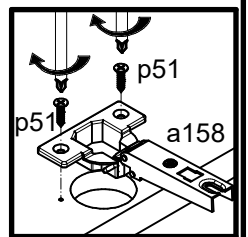
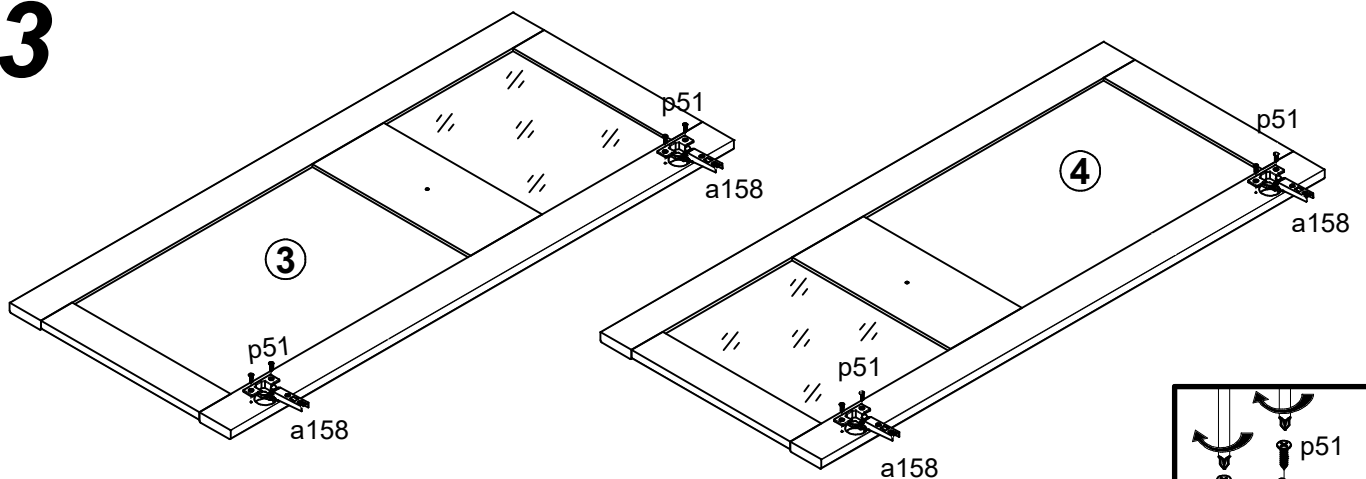
1 



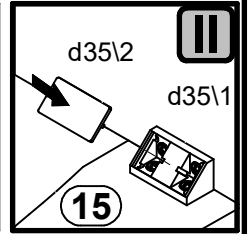
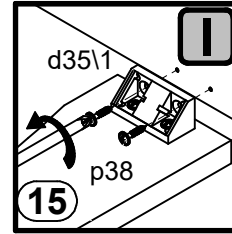
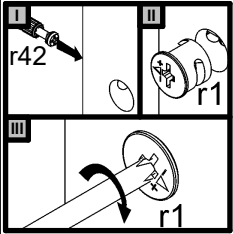
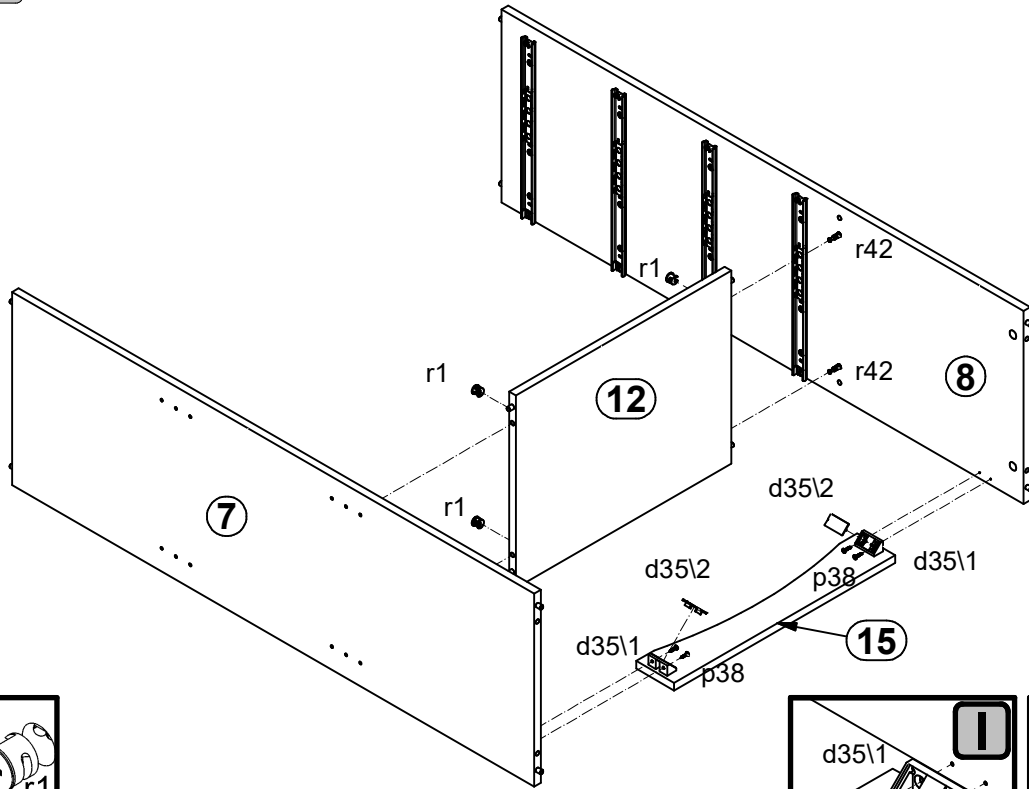
2 §2 §6



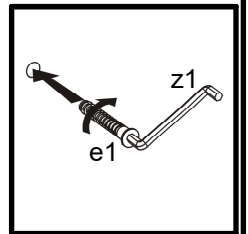
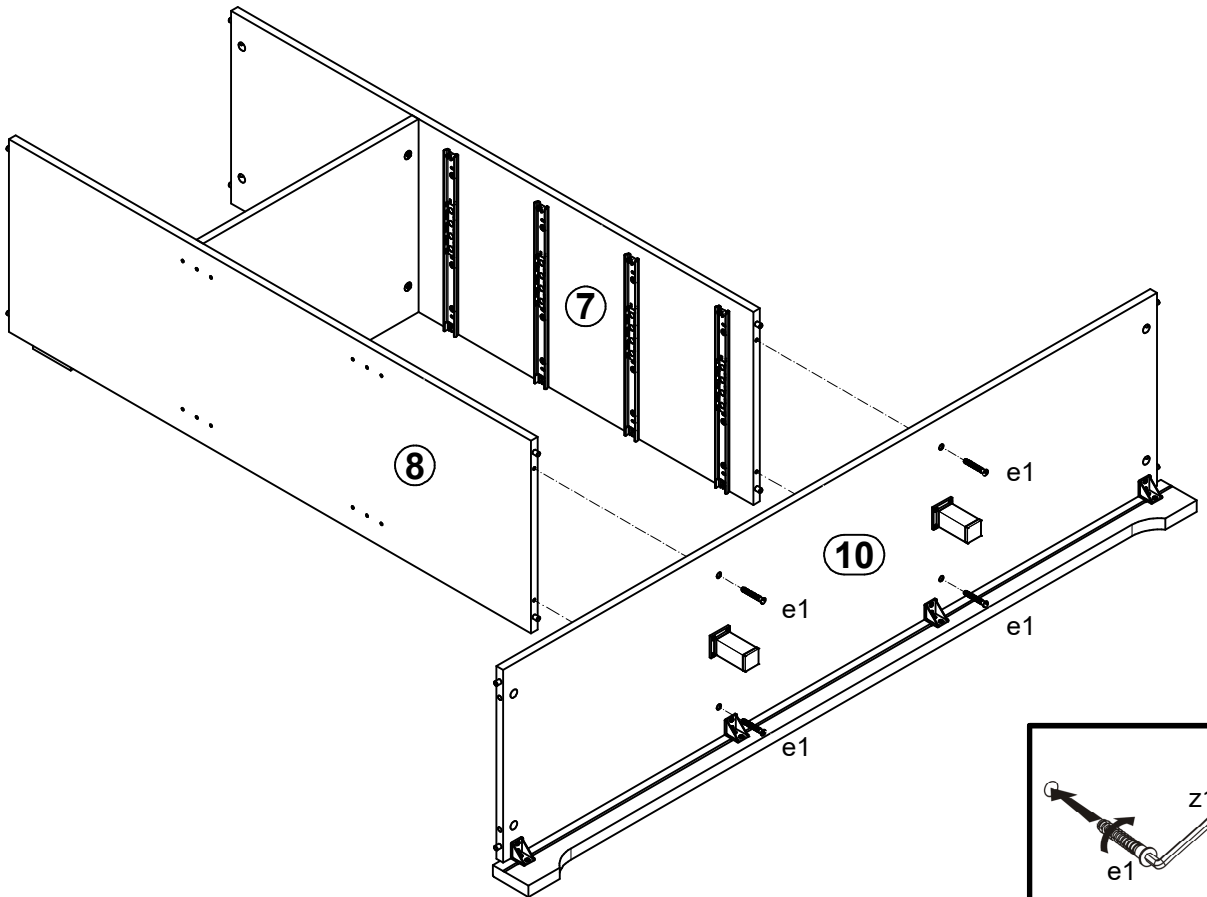
3



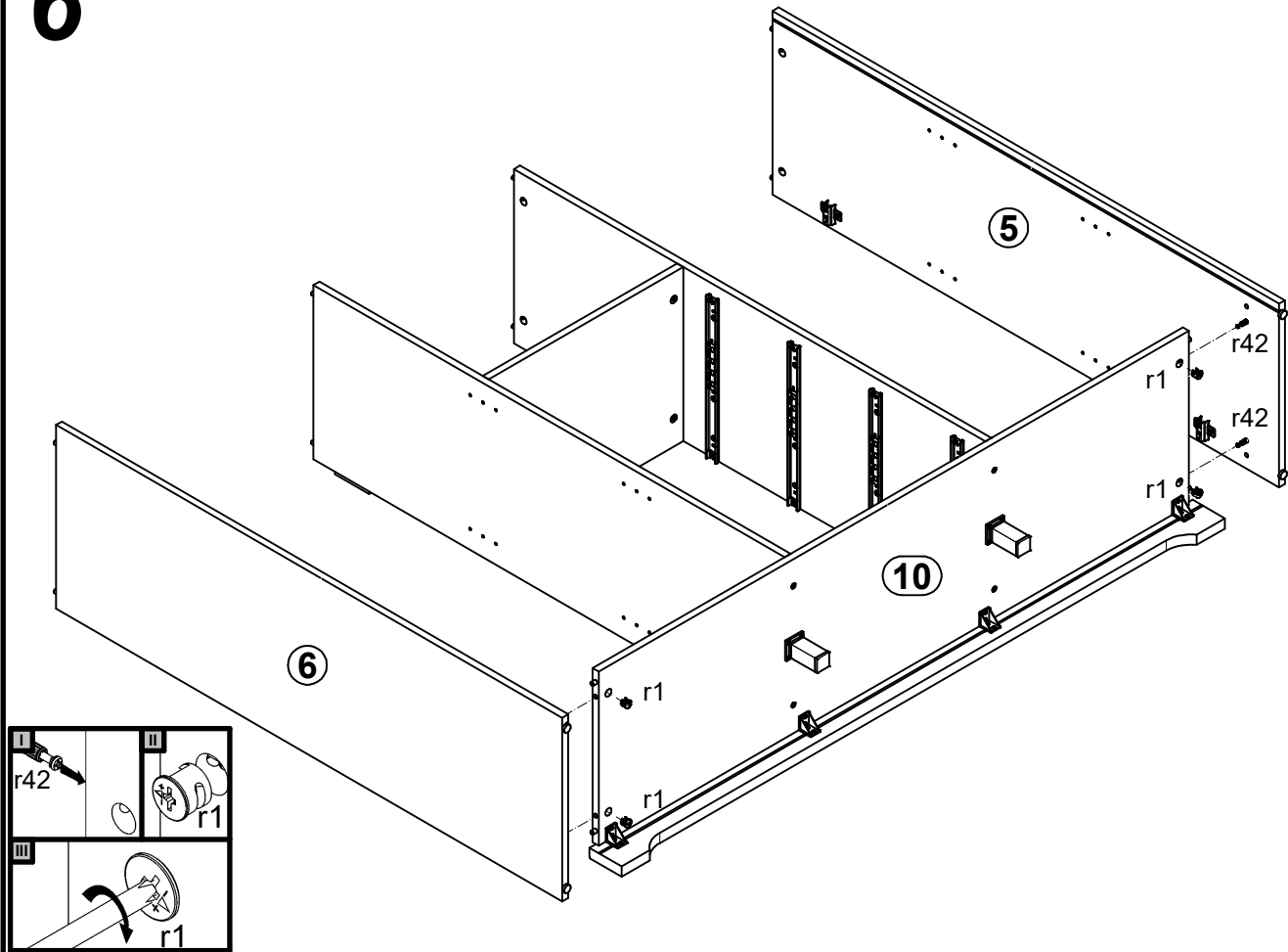
4 



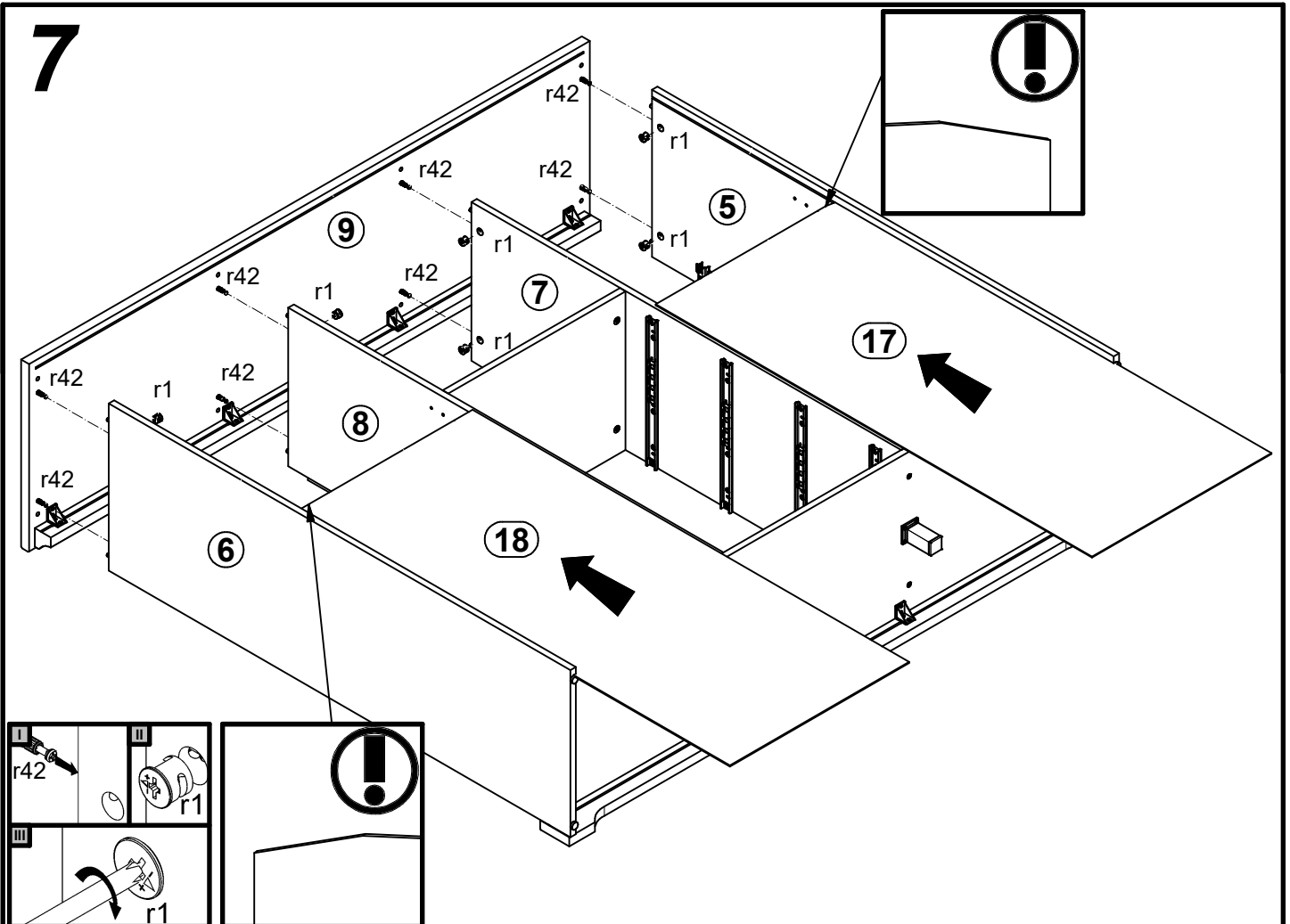
5



6

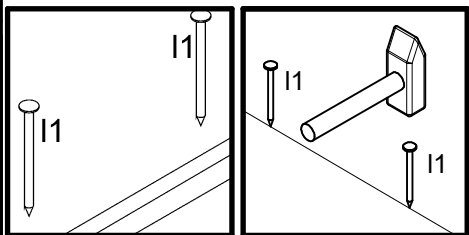
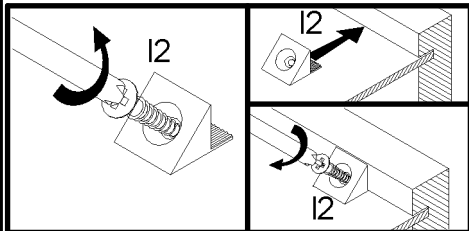
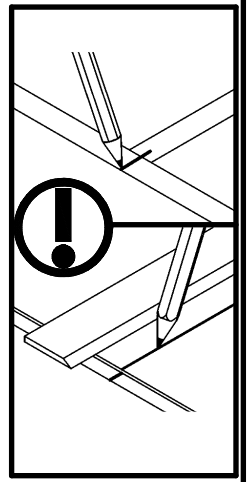
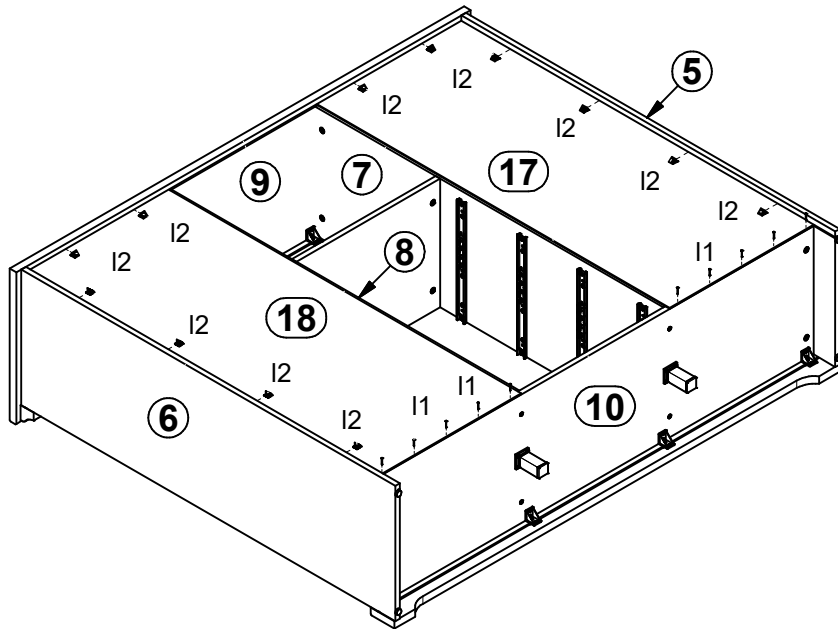


7

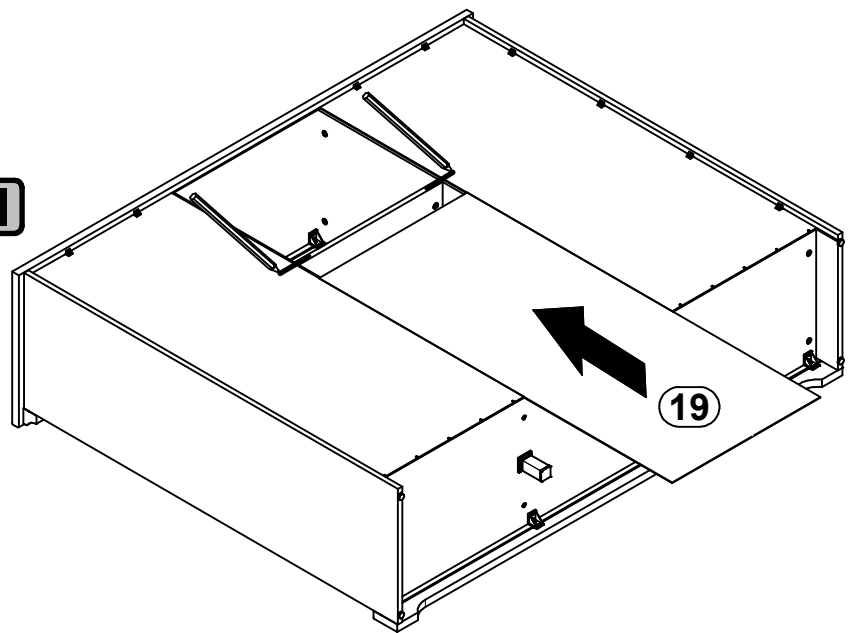


8

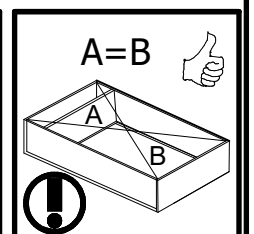
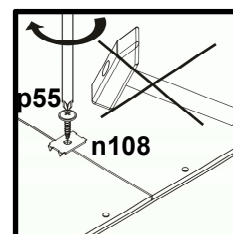
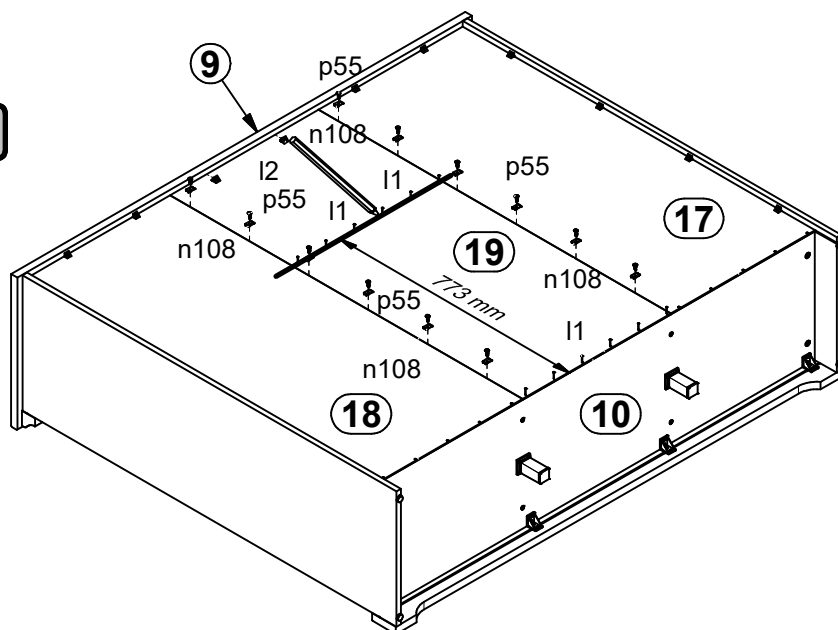
I



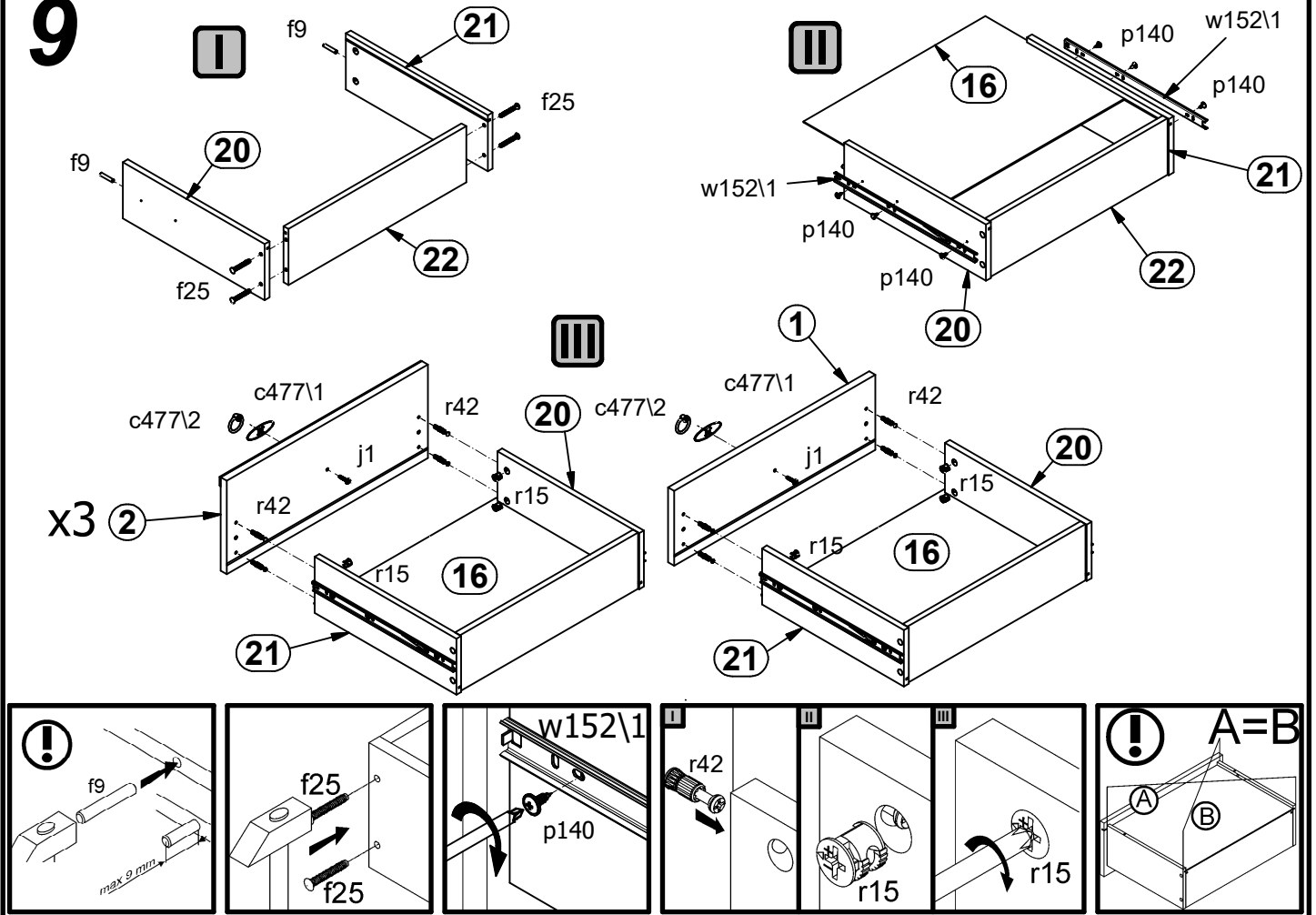
II



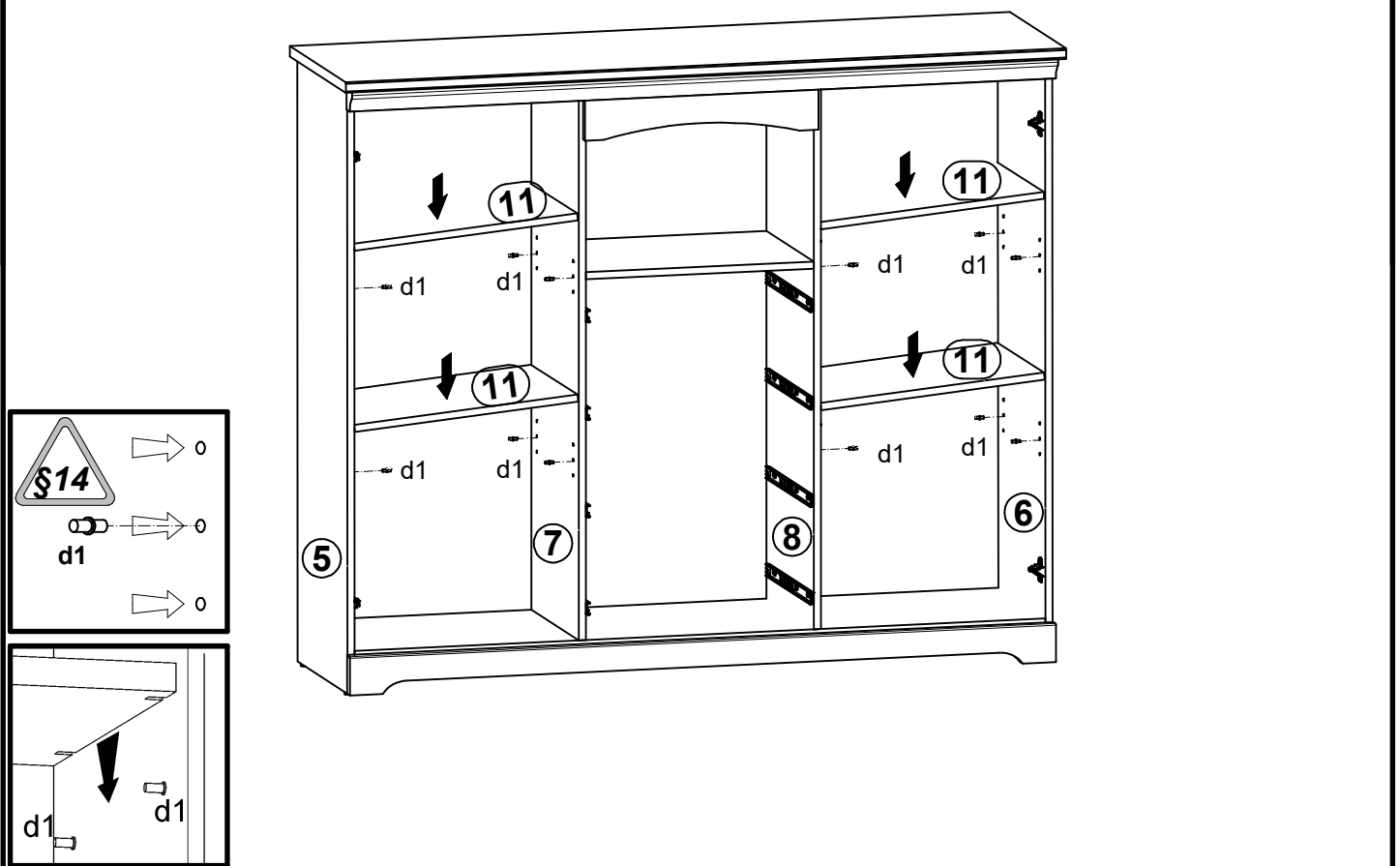
III



9



10



11

