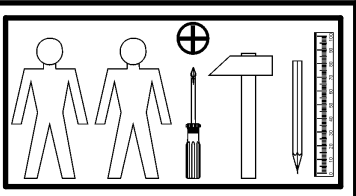
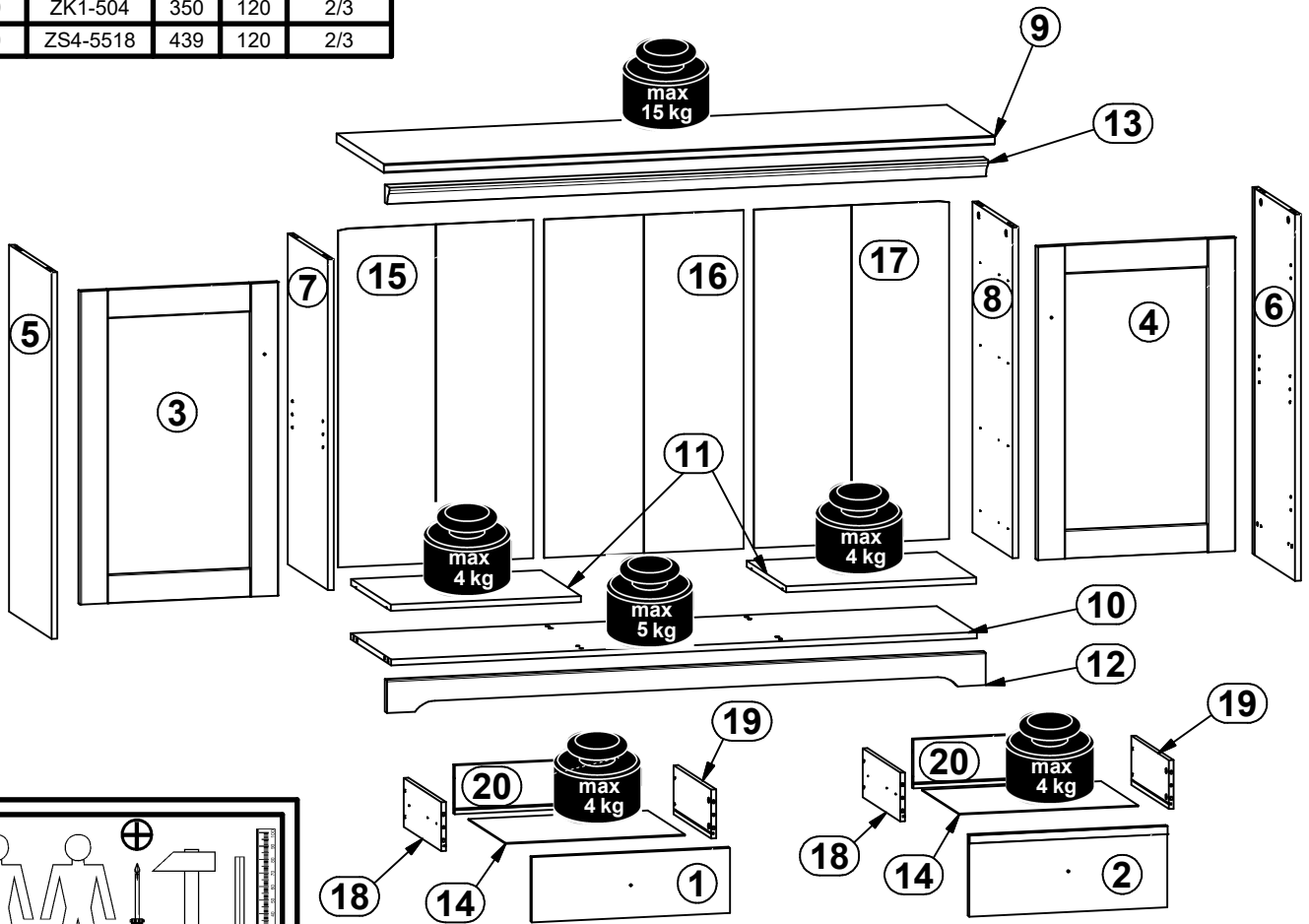
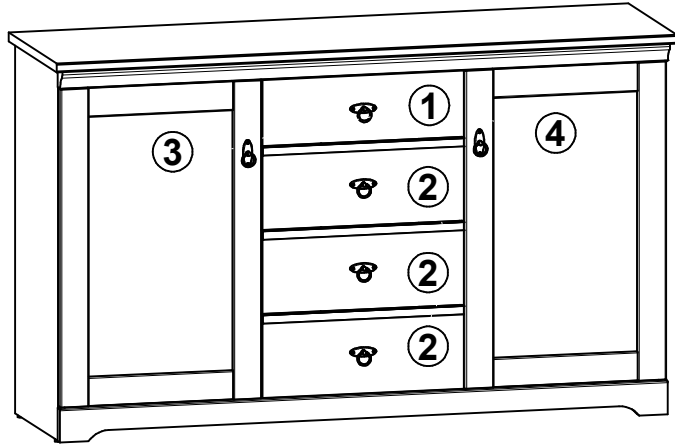


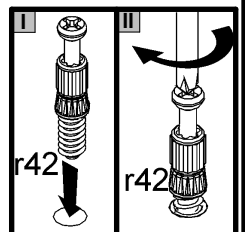
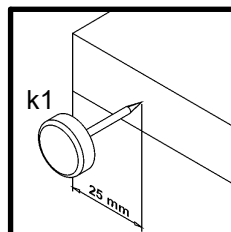
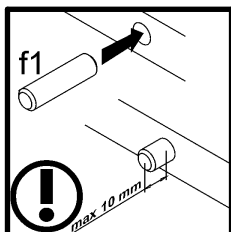
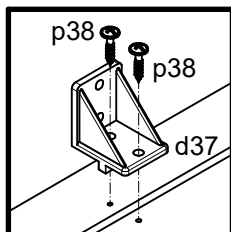
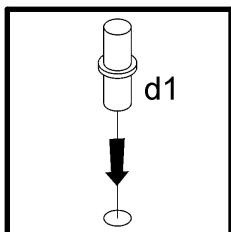
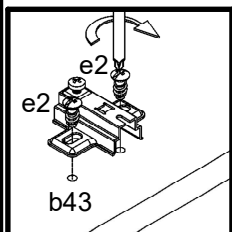
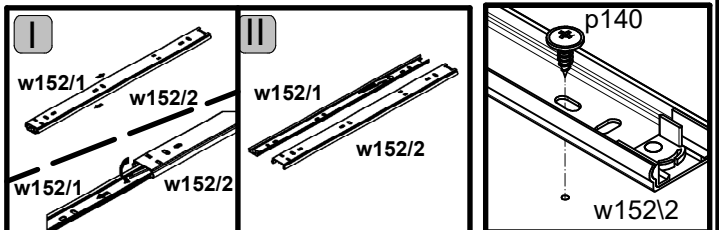
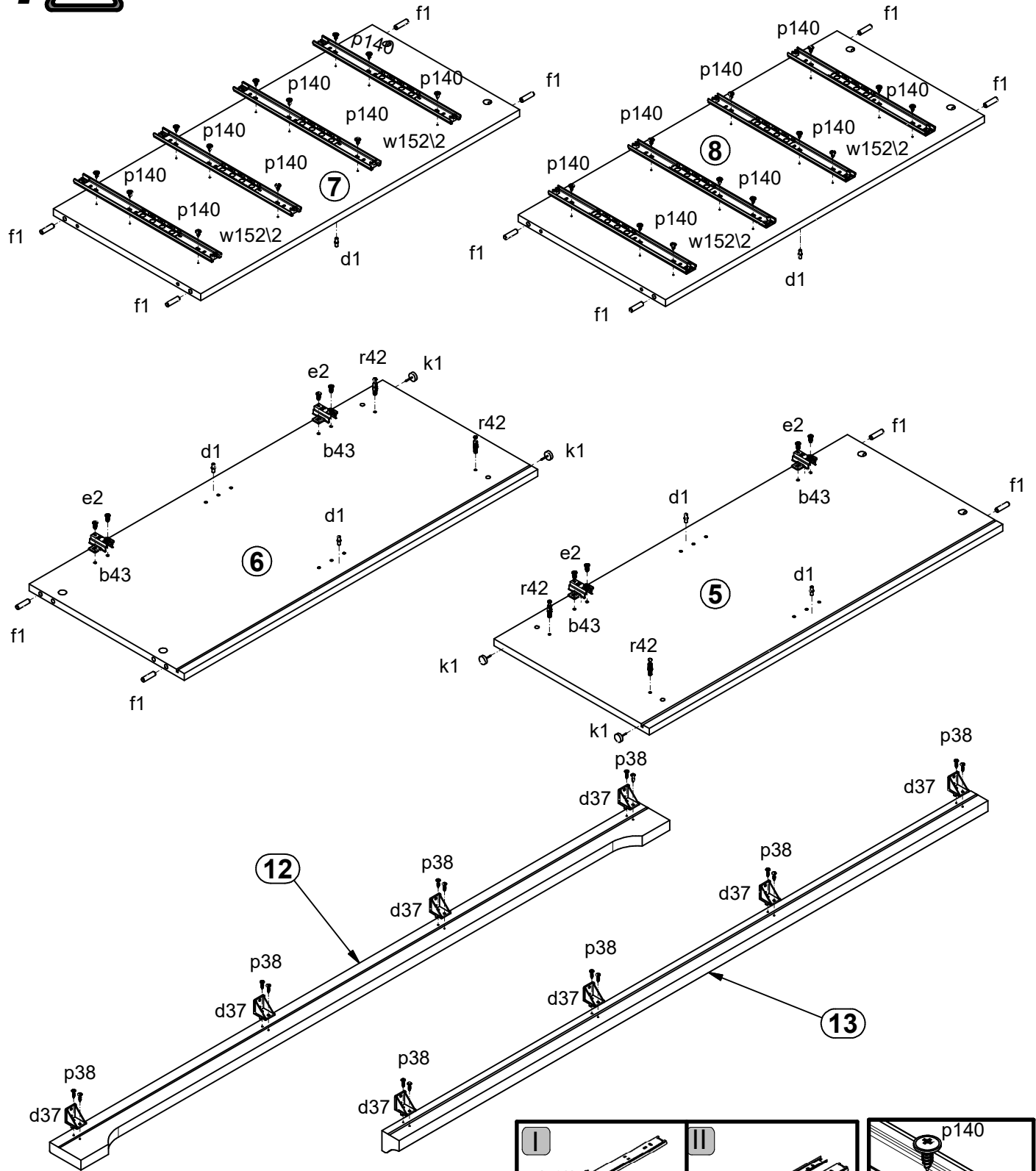
A	B	C	D	
1	S405-0001	496	160	3/3
2	S405-0002	496	200	3/3
3	S405-0003	769	496	3/3
4	S405-0004	769	496	3/3
5	S405-1001	900	395	1/3
6	S405-1002	900	395	1/3
7	S405-1003	812	375	1/3
8	S405-1004	812	375	1/3
9	S405-2001	1529	445	2/3
10	S405-3001	1467	375	2/3
11	S405-3002	476	370	2/3
12	S405-5001	1499	80	2/3
13	S405-5002	1499	44	2/3
14	S405-9001	449	348	2/3
15	S405-9301	831	489	1/3
16	S405-9302	831	499	1/3
17	S405-9306	831	489	1/3
18	ZK1-503	350	120	2/3
19	ZK1-504	350	120	2/3
20	ZS4-5518	439	120	2/3



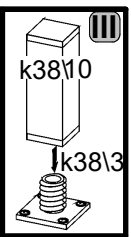
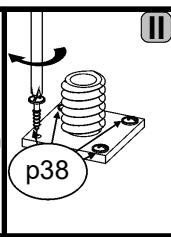
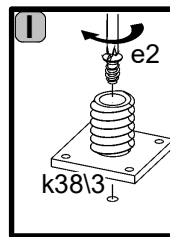
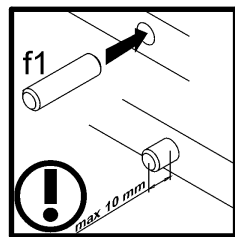
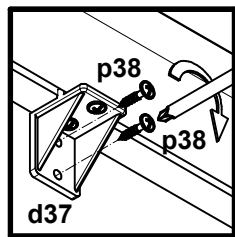
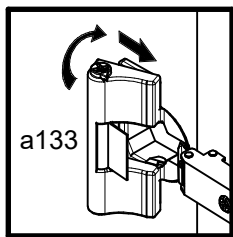
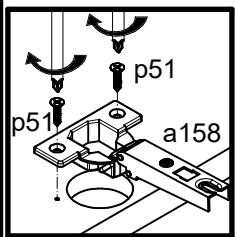
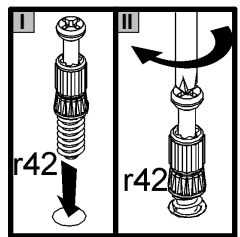
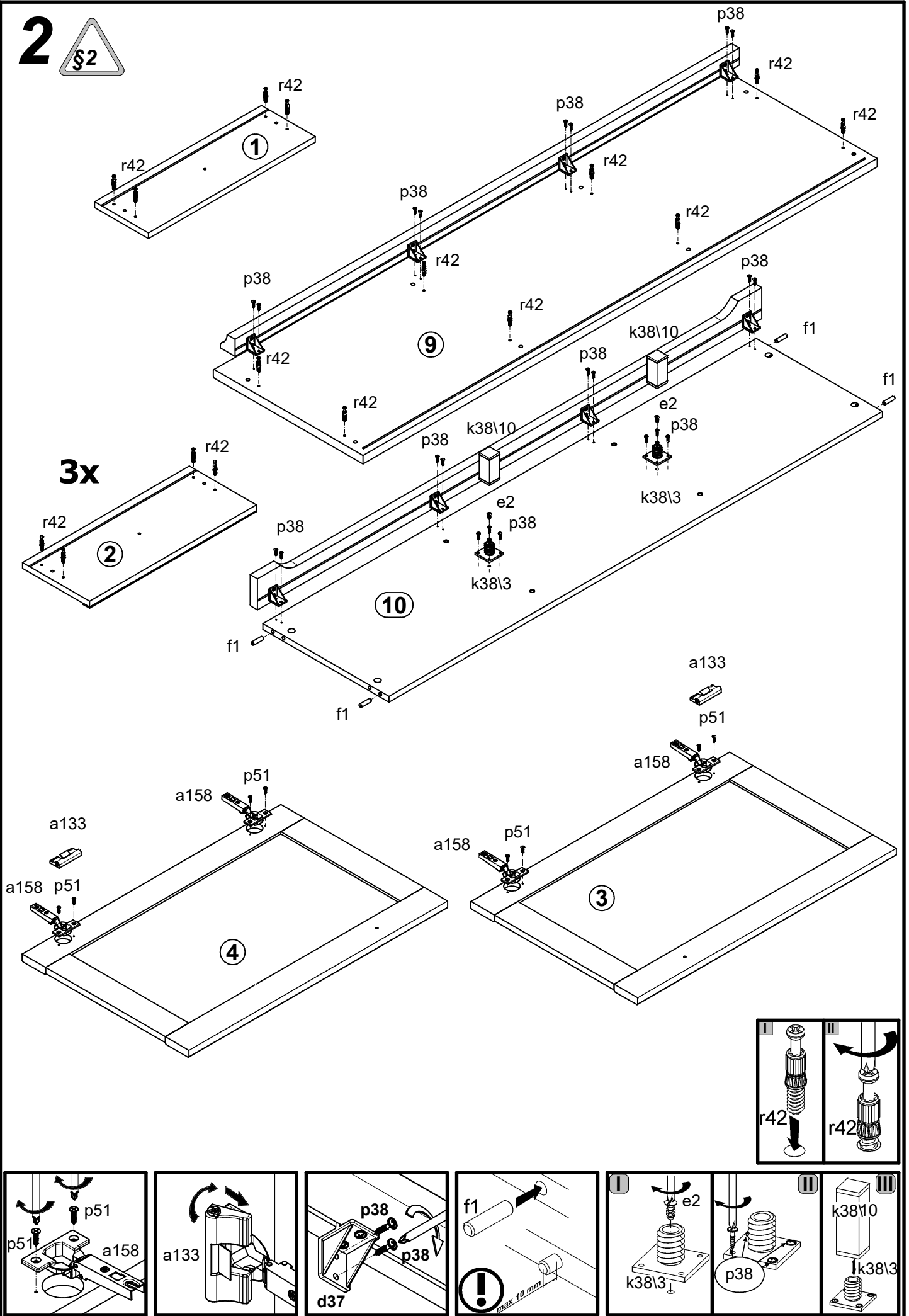
3x

2x  a133	4x  a158	4x  b43	6x  c477/1	6x  c477/2	8x  d1	8x  d37	4x  e1	10x  e2
16x  f1	16x  f25	8x  f9	4x  j1	2x  j8	4x  k1	2x  k38/10	2x  k38/3	15x  l1
12x  i2	10x  n108	48x  p140	41x  p38	8x  p51	10x  p55	12x  r1	16x  r15	28x  r42
8x  w152/1	8x  w152/2	4x  s2	1x  z1	1x  n26				

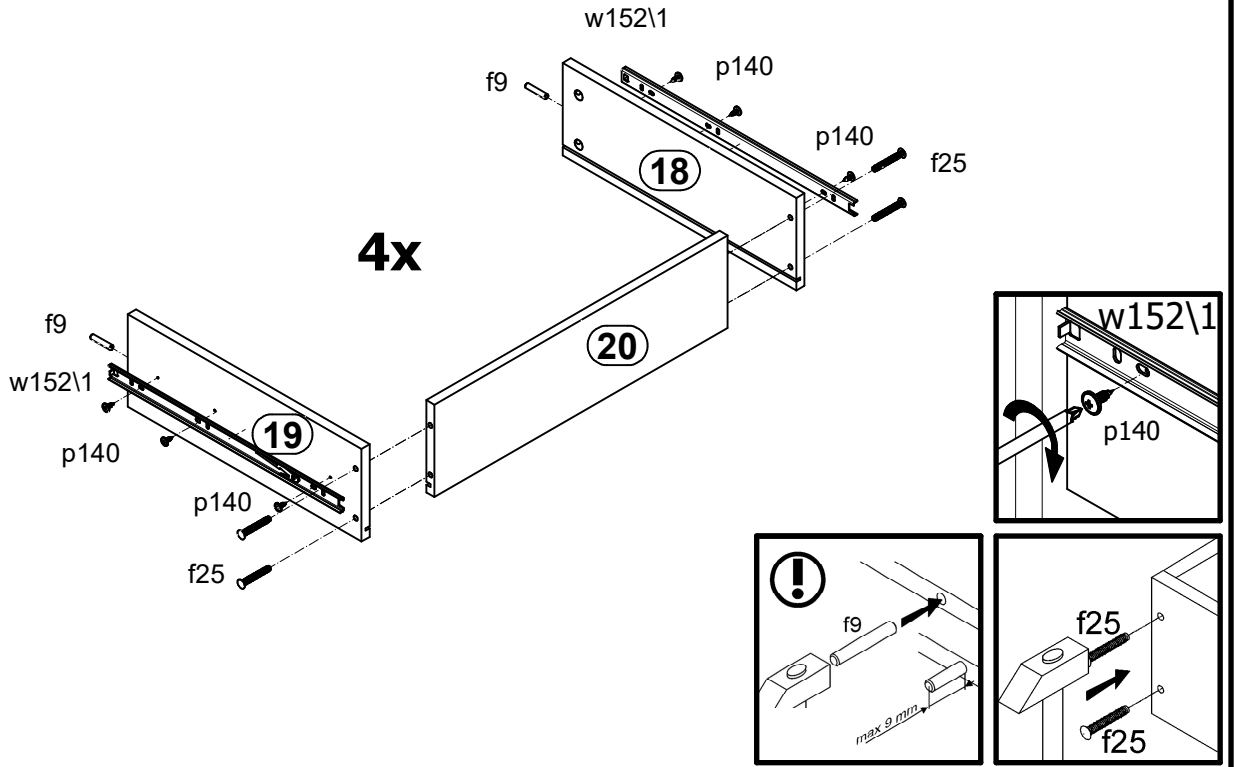
1 



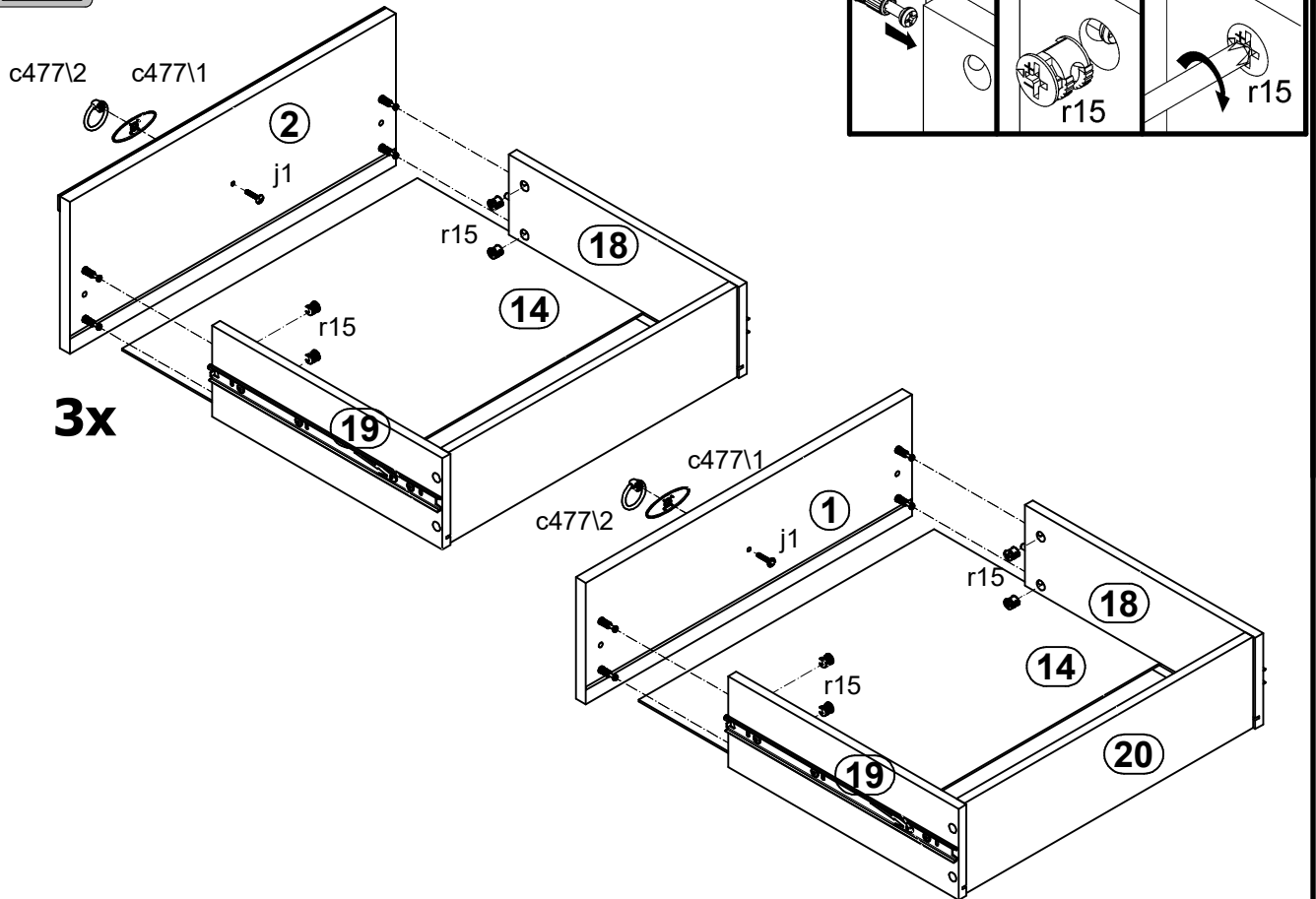
# 2



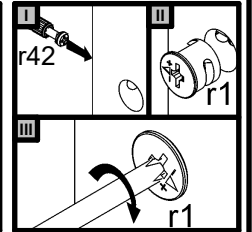
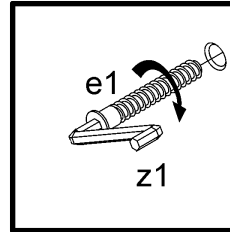
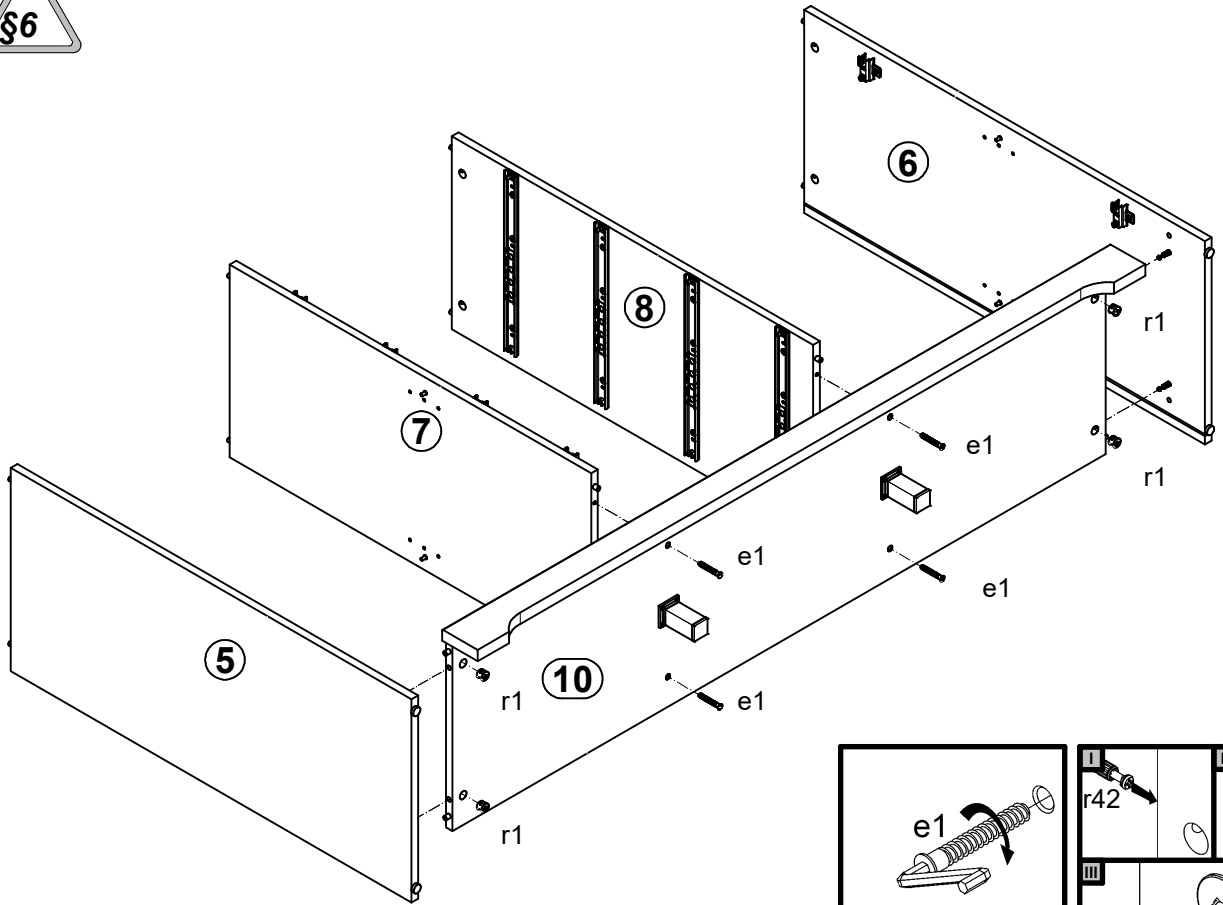
**3** §6



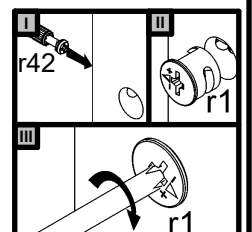
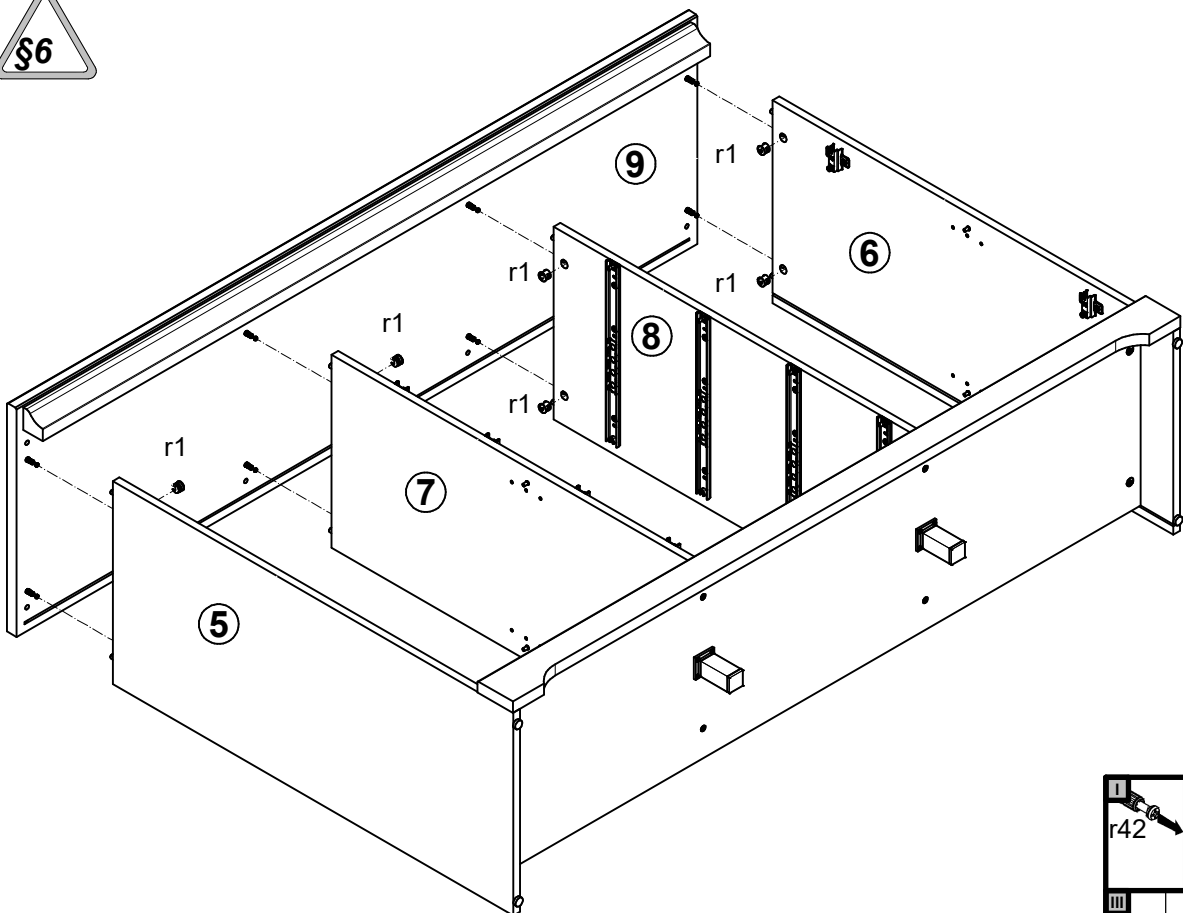
**4** §6



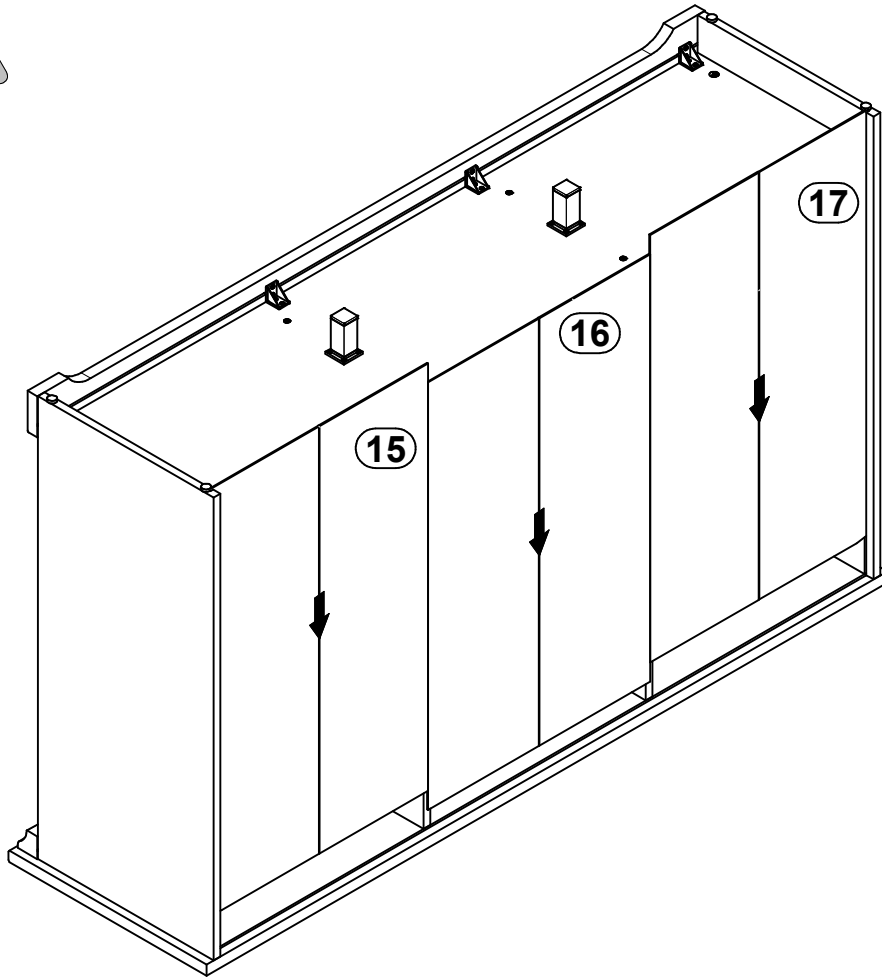
# 5



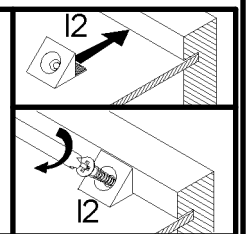
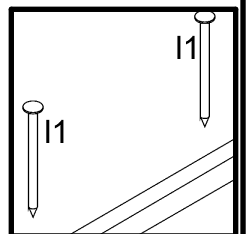
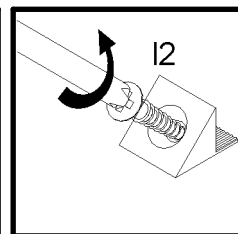
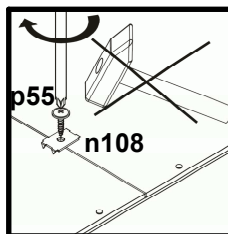
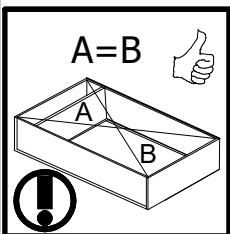
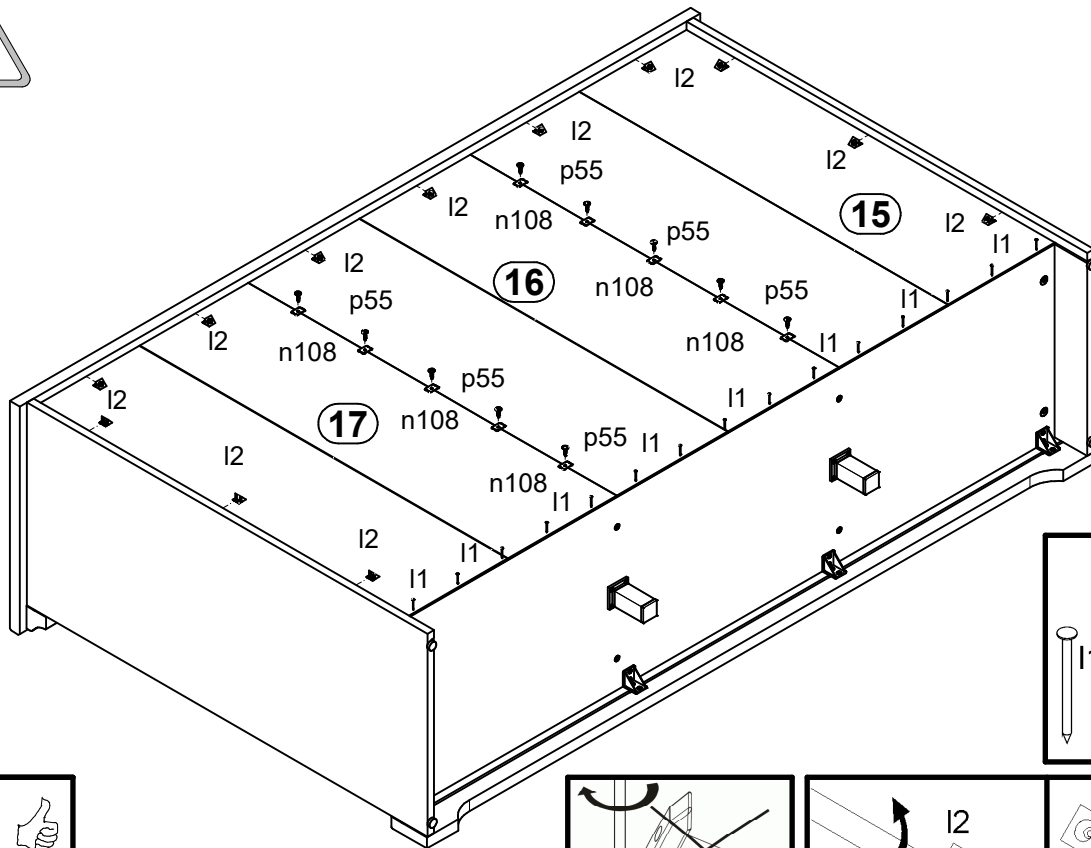
# 6



# 7



# 8



# 9

