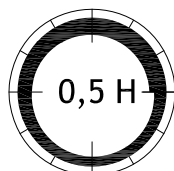
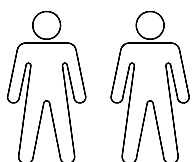
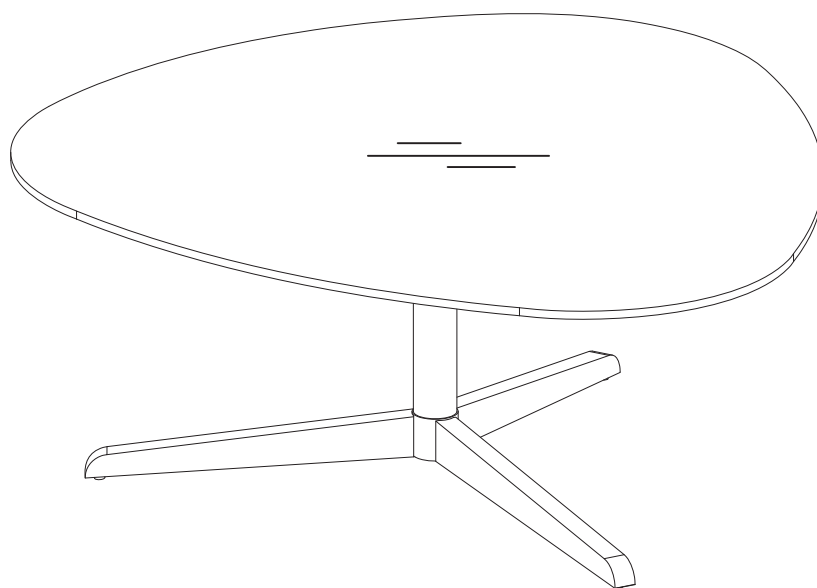
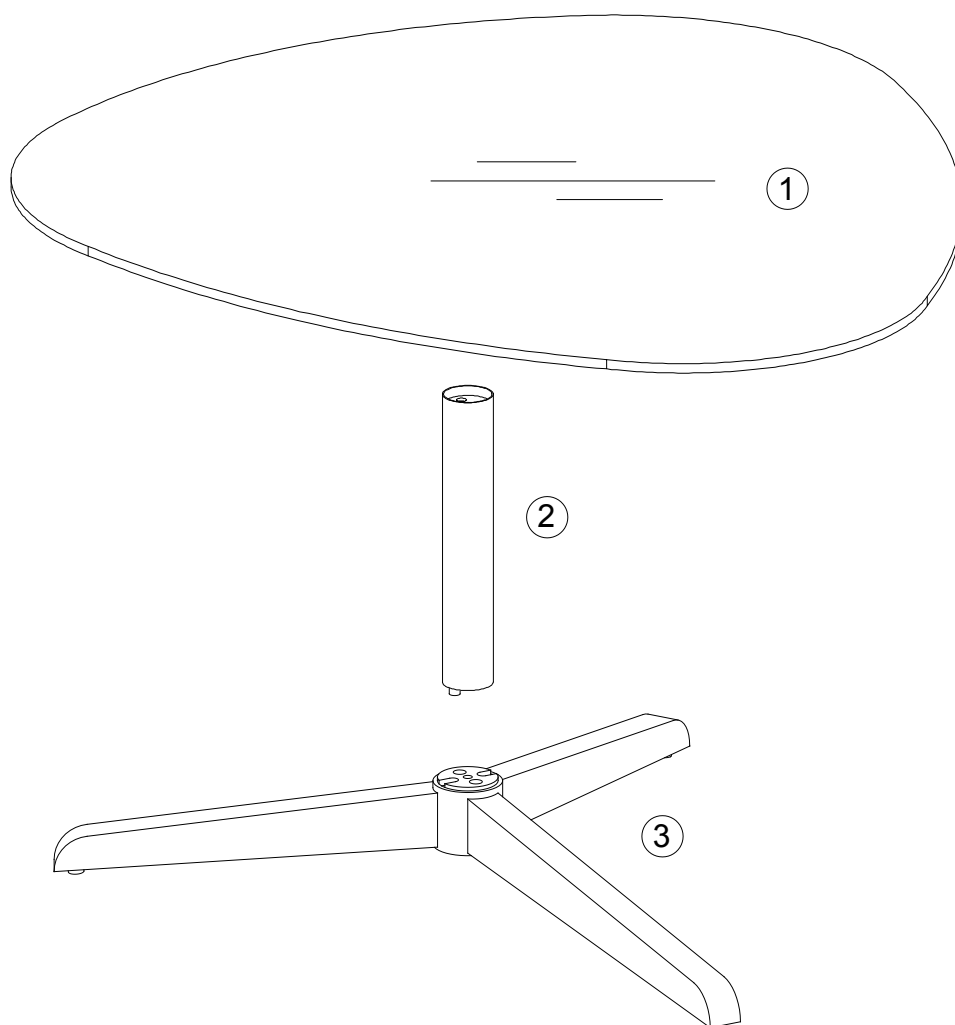


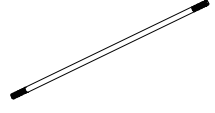

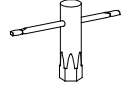



# BARNESLEY

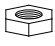




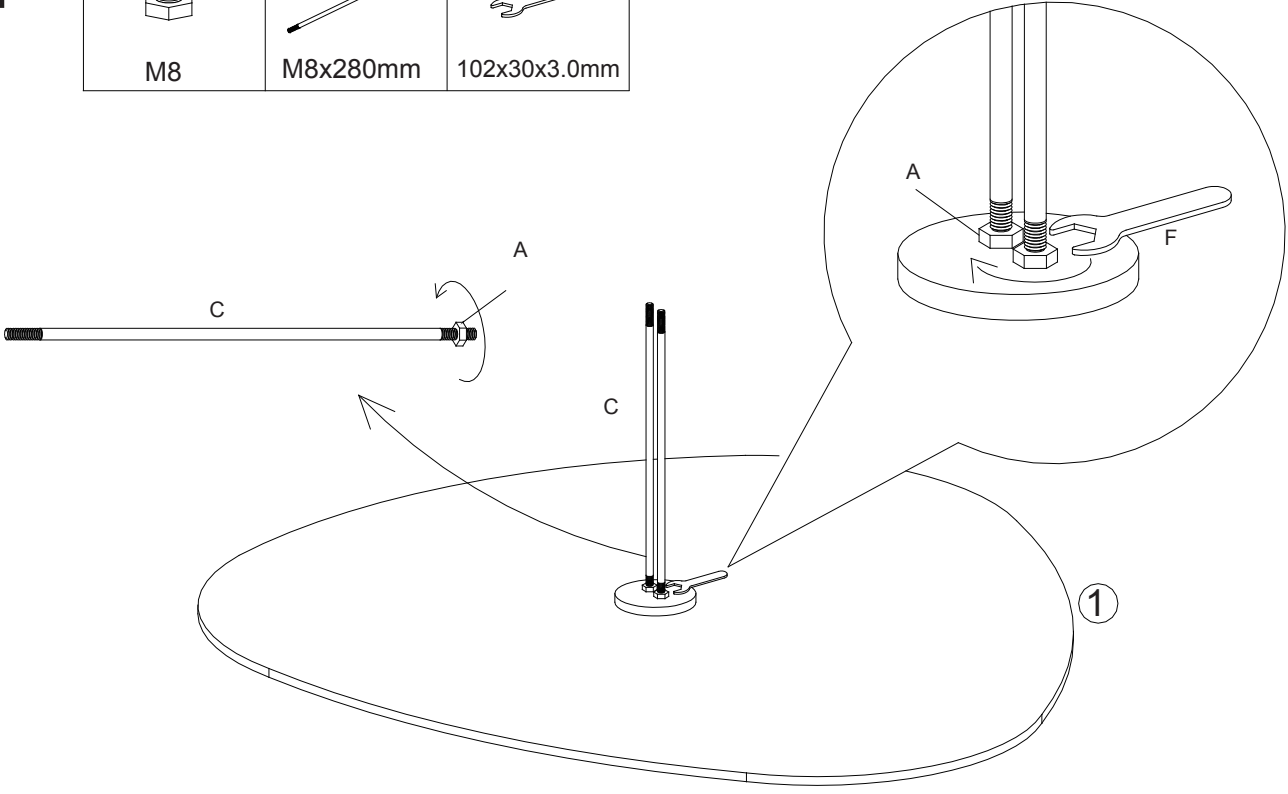
			✓
①	1	840x770x10/ 840x770x12	
②	1	Ø50x246	
③	1	568x571.5x87	



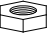


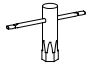
<p>A x 4</p>  <p>M8</p>	<p>B x 2</p>  <p>∅16x∅8.5x2.0mm</p>	<p>C x 2</p>  <p>M8x280mm</p>	<p>D x 2</p>  <p>∅13x∅8.5x2.0mm</p>	<p>E x 1</p>  <p>∅16x90mm</p>
<p>F x 1</p>  <p>102x30x3.0mm</p>				

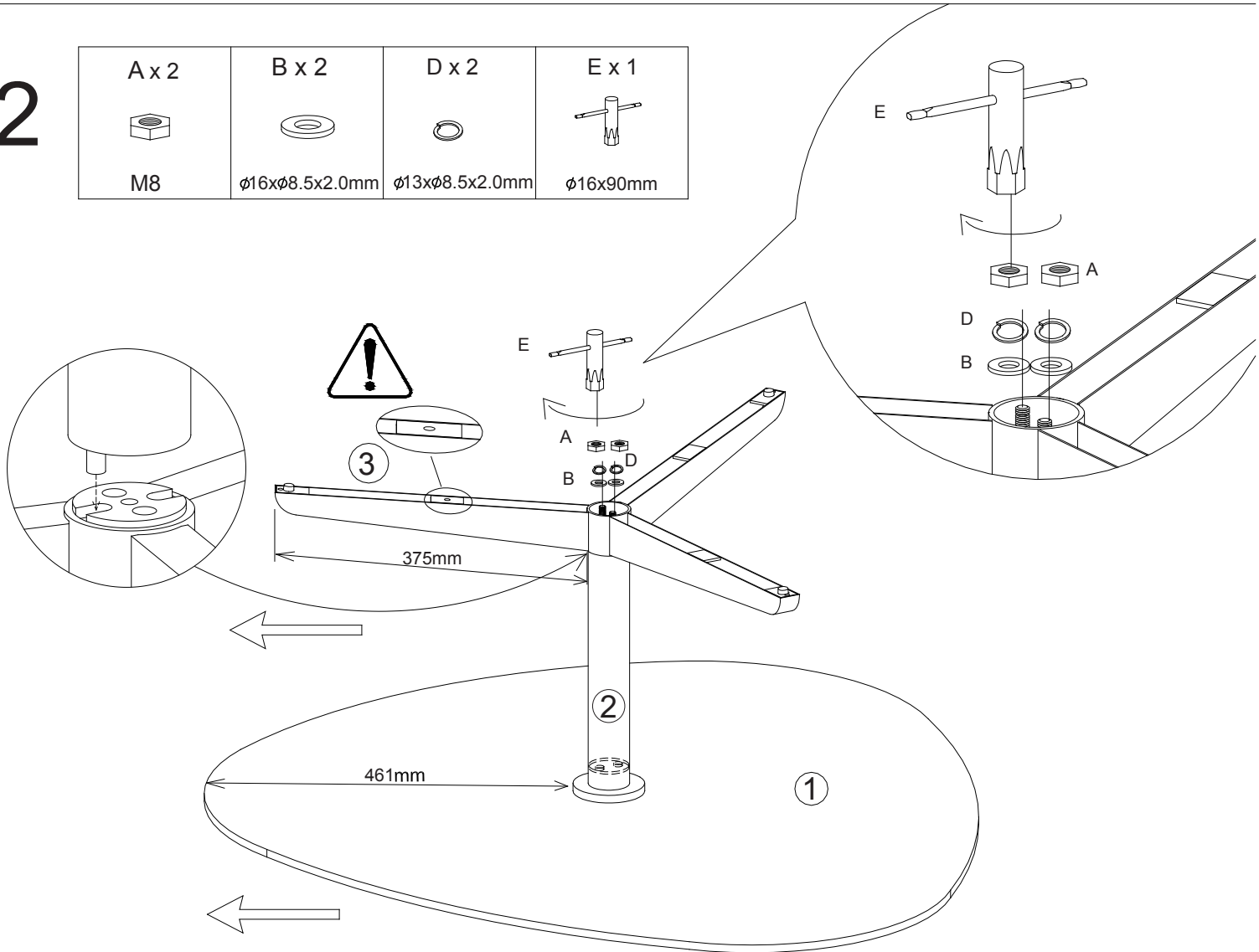
# 1

A x 2	C x 2	F x 1
		
M8	M8x280mm	102x30x3.0mm



# 2

A x 2	B x 2	D x 2	E x 1
			
M8	ø16xø8.5x2.0mm	ø13xø8.5x2.0mm	ø16x90mm



3

