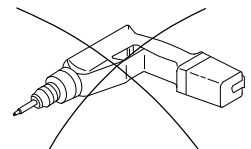
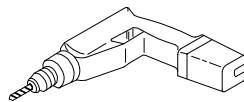
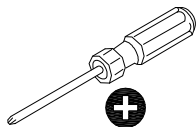
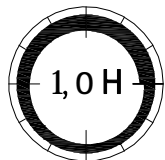
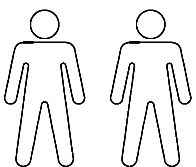
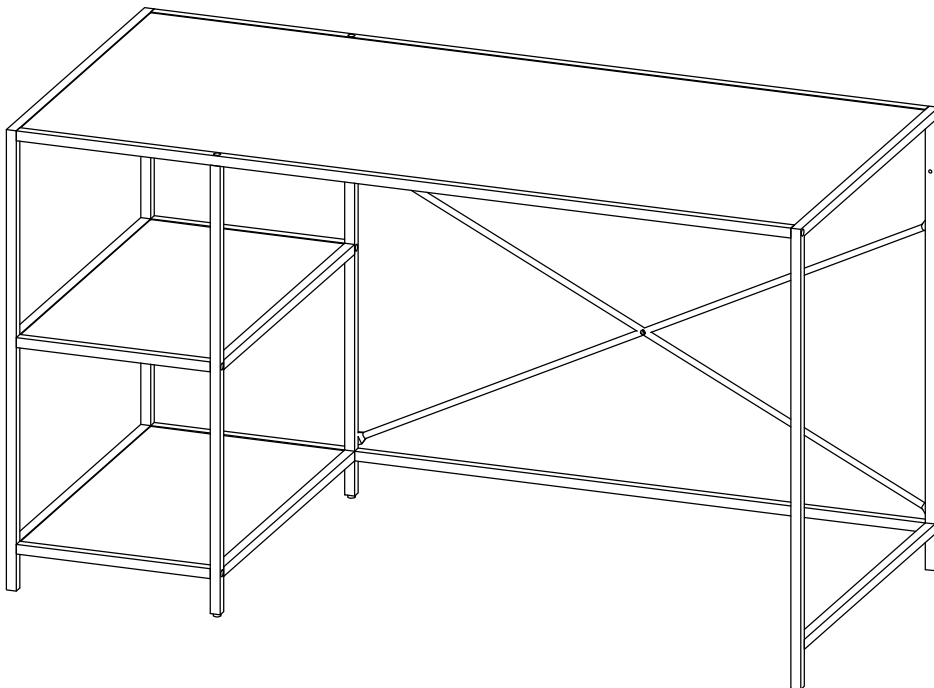
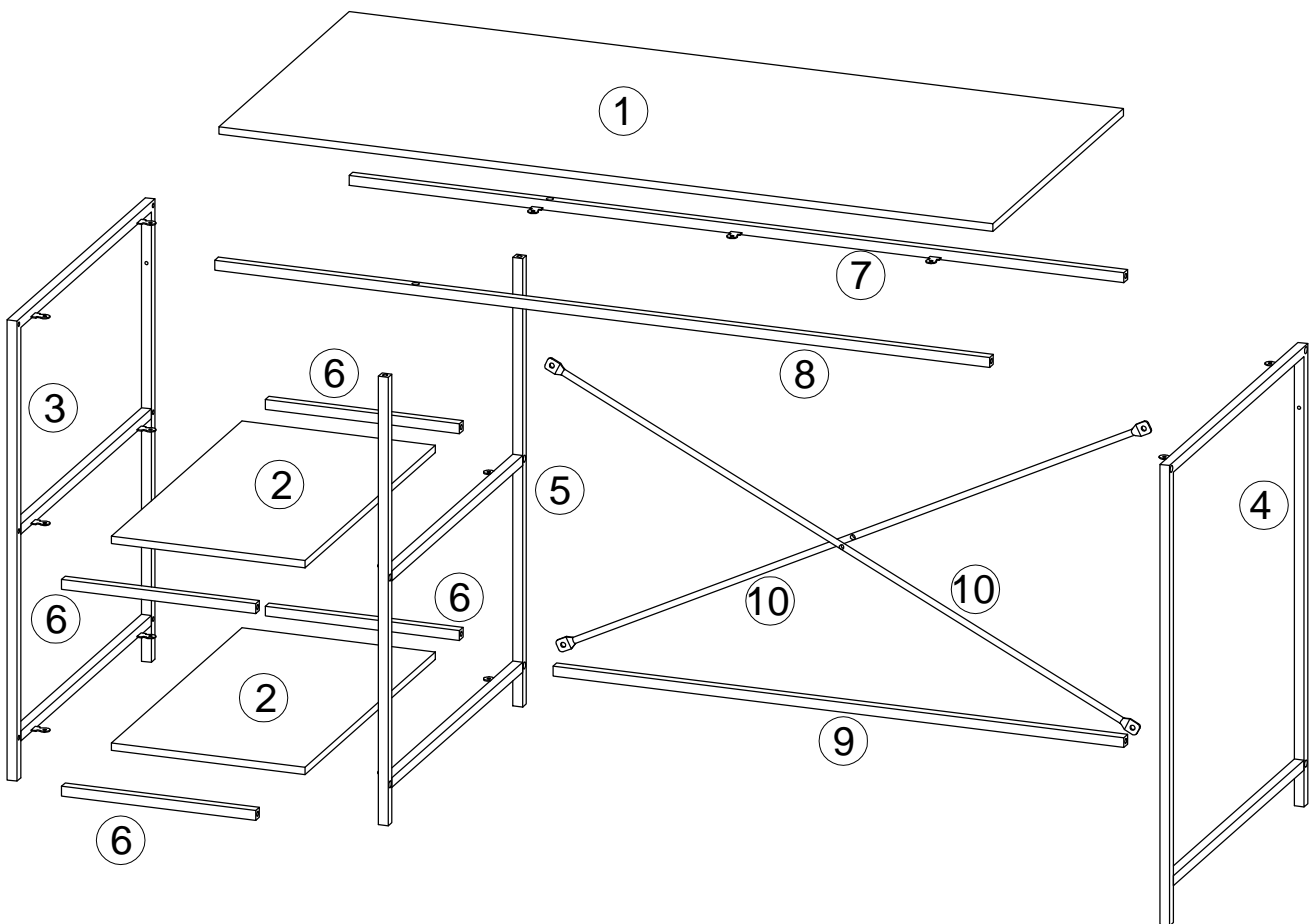
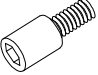
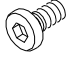
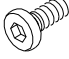



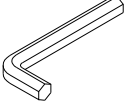



Seaford

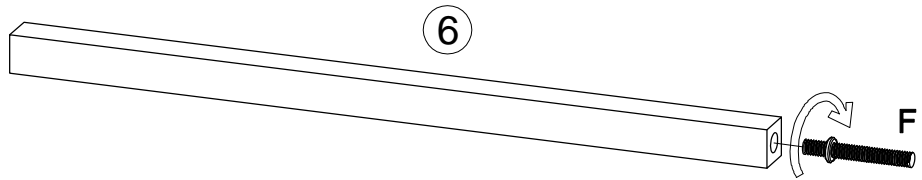
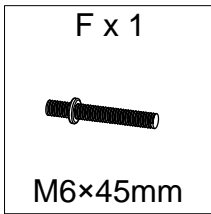


			✓				✓
①	1	1267x567x12		⑥	4	318x16x16	
②	2	567x317x12		⑦	1	1268x42x16	
③	1	750x600x42/16		⑧	1	1268x42x16	
④	1	750x600x42/16		⑨	1	934x16x16	
⑤	1	733x600x42		⑩	2	∅10x1078	

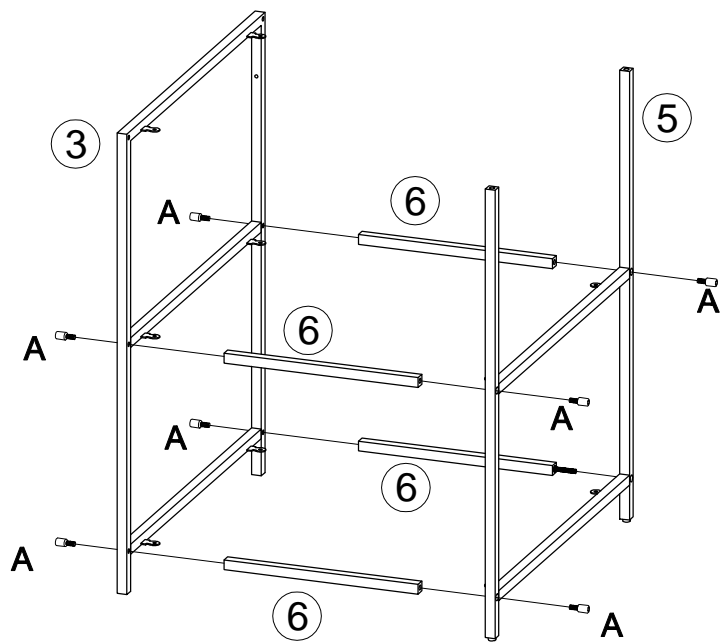
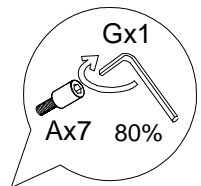
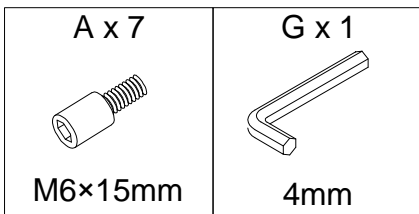


<p>A x 14</p>  <p>M6×15mm</p>	<p>B x 4</p>  <p>M6×10mm</p>	<p>C x 1</p>  <p>M6×15mm</p>	<p>D x 1</p>  <p>M6</p>	<p>E x 18</p>  <p>4×12mm</p>
<p>F x 1</p>  <p>M6×45mm</p>	<p>G x 1</p>  <p>4mm</p>	<p>H x 1</p>  <p>4mm</p>		

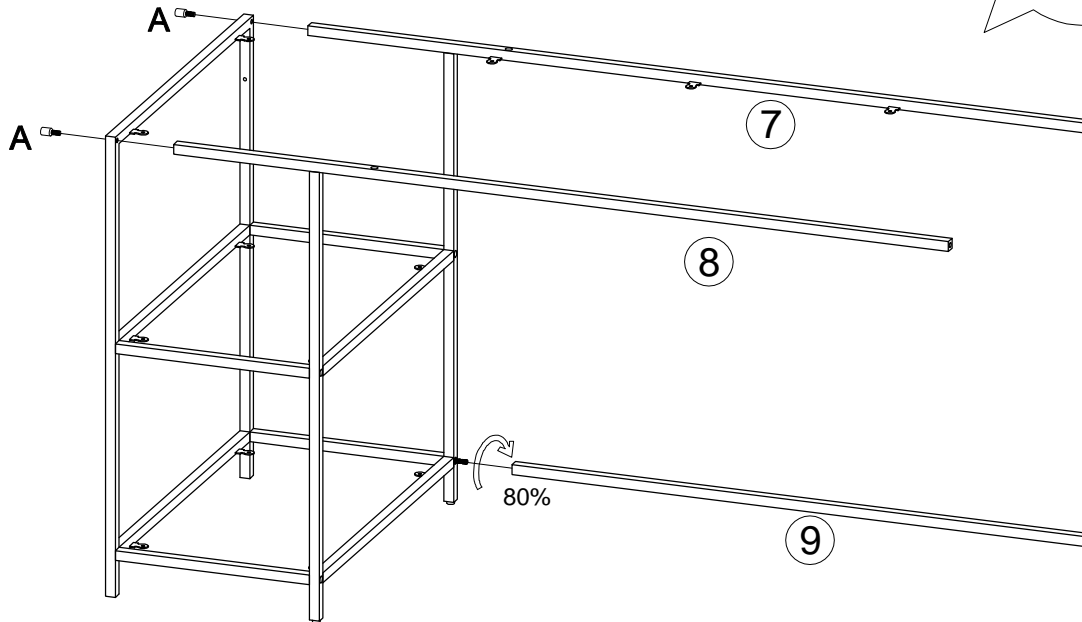
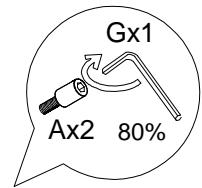
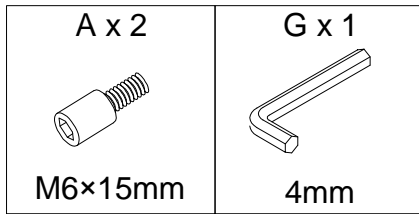
1



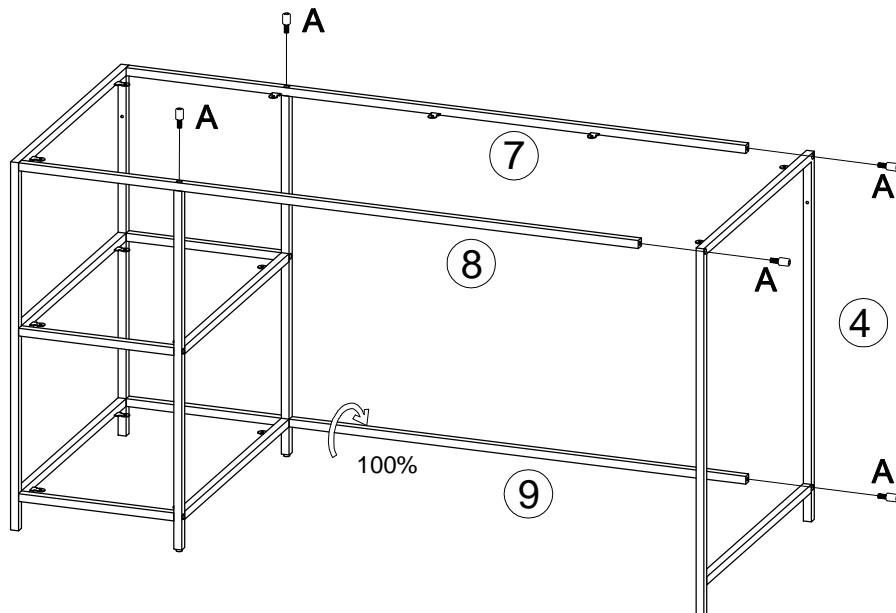
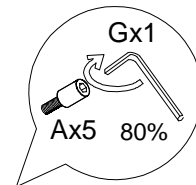
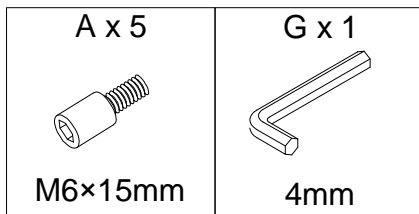
2



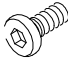

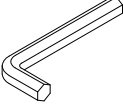

3

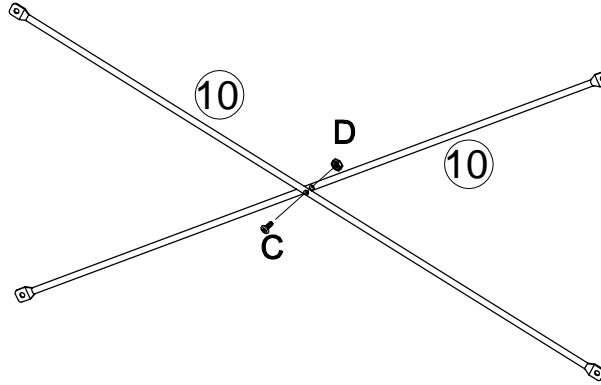


4

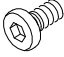
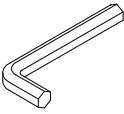


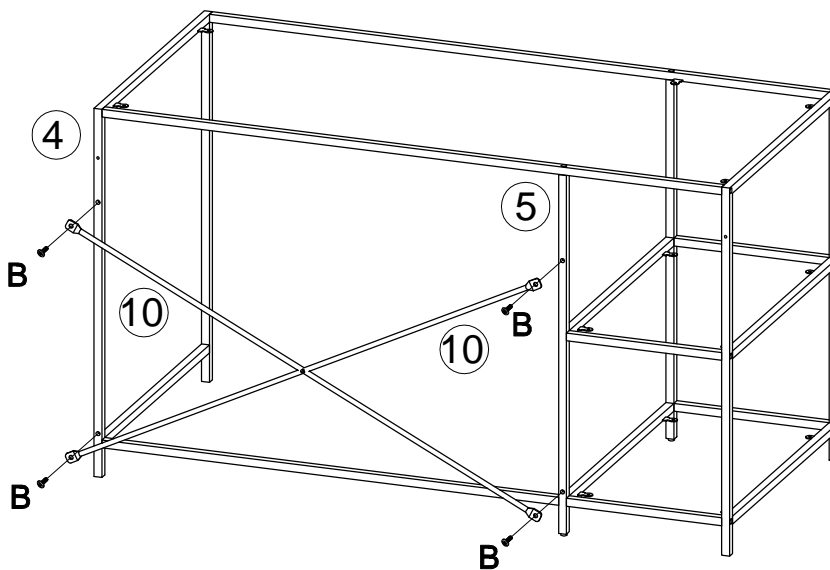
5

C x 1  M6×15mm	D x 1  M6	G x 1  4mm	H x 1  4mm
---	--	---	--

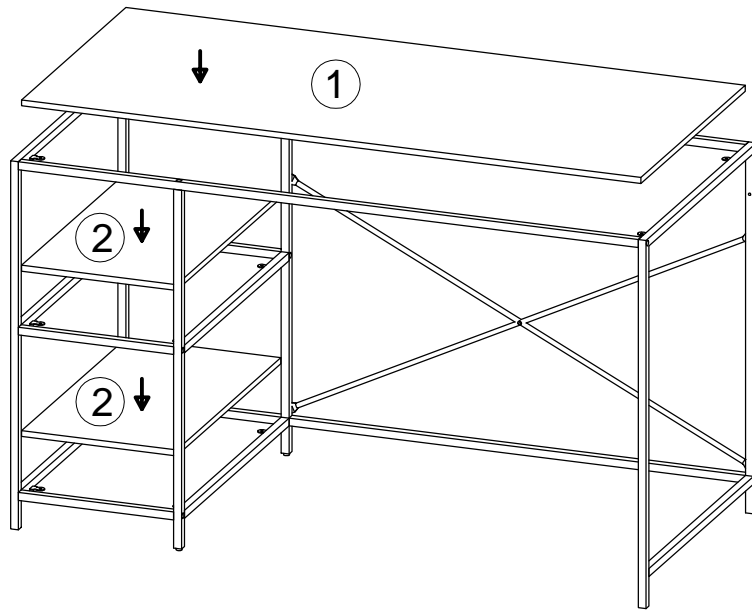


6

B x 4  M6×10mm	G x 1  4mm
---	---

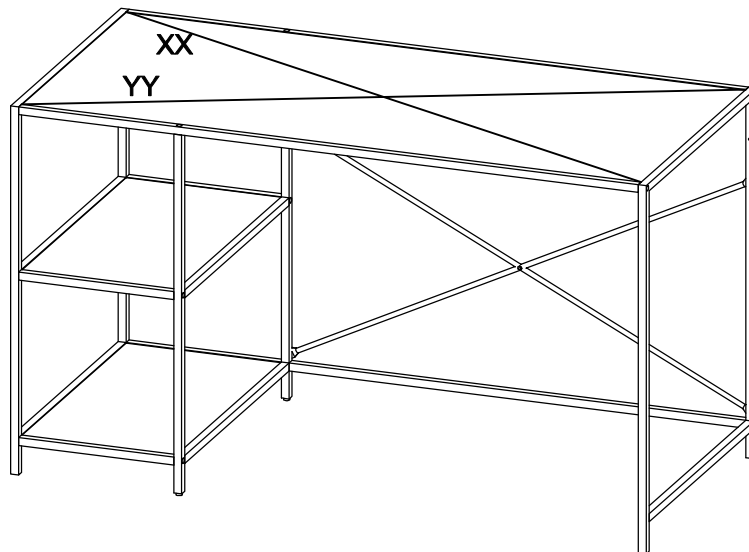


7

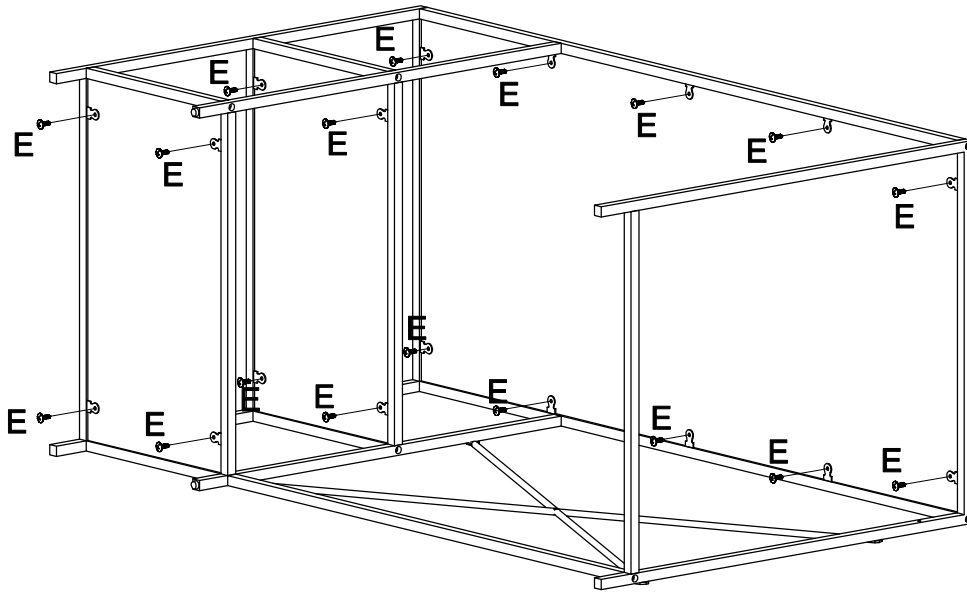
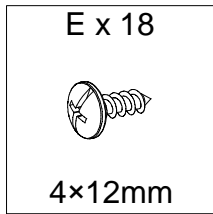


8

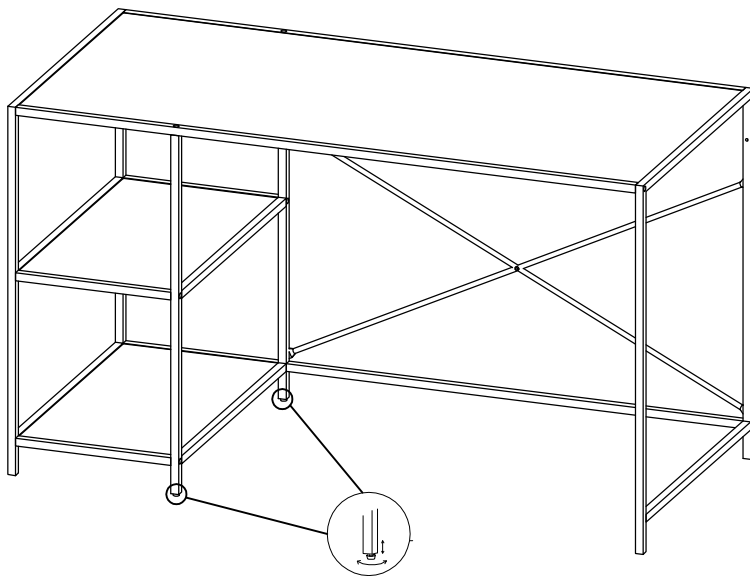
! $XX=YY$



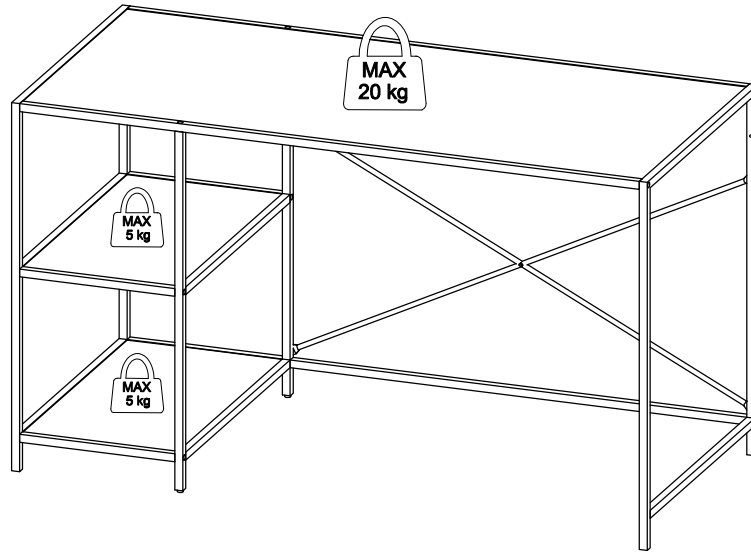
9



10



11



12

