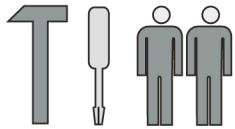
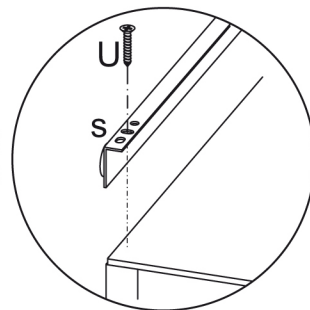
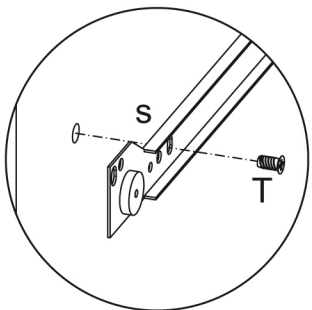
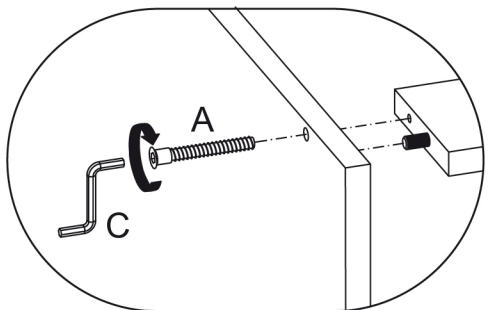
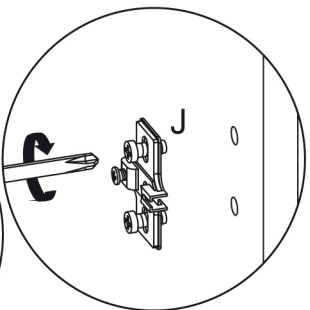
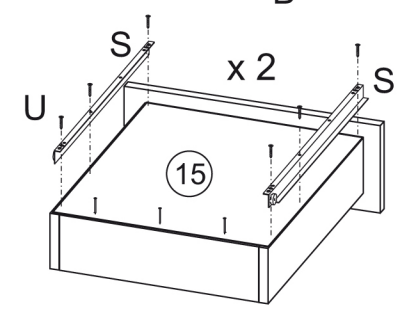
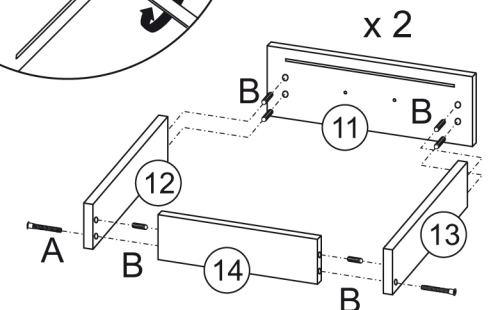
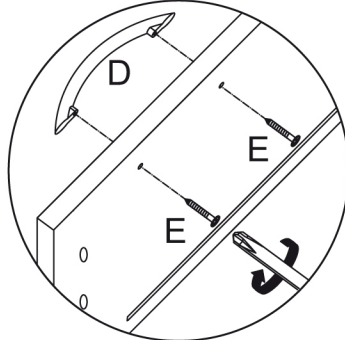
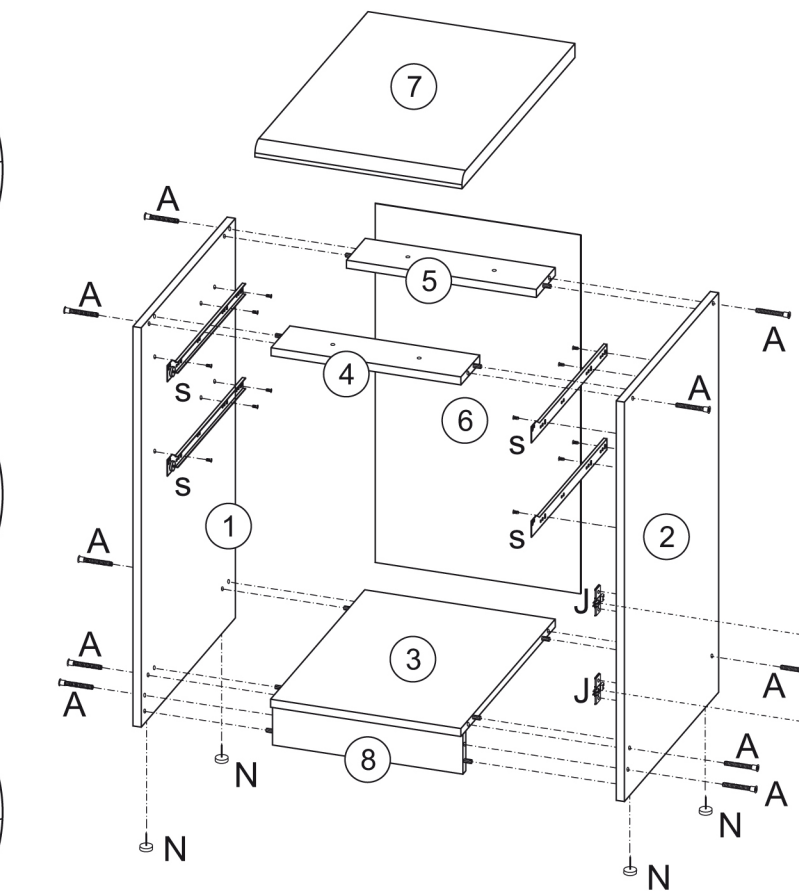
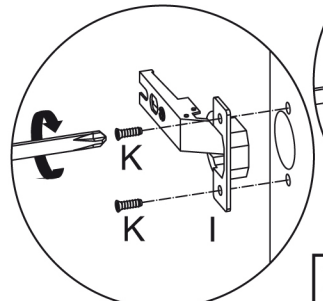
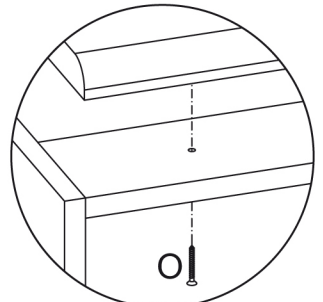
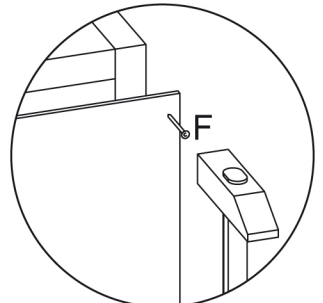
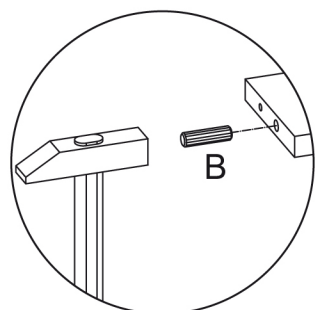


40 Down 2 Drawers



14	22	1	3	6	~25	2	2	4	4	4	2	12

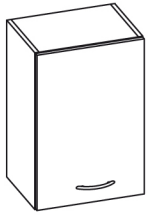
12



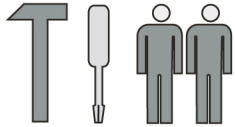
No packer:



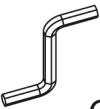




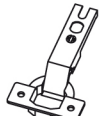


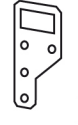

Dear Customer.

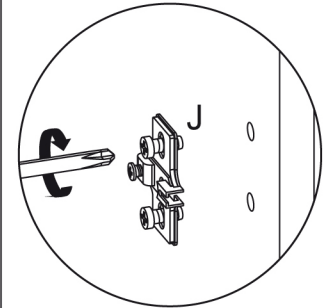
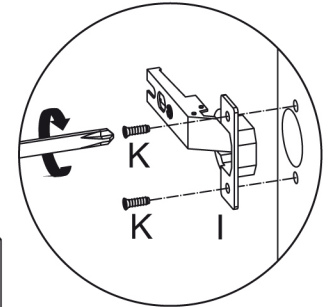
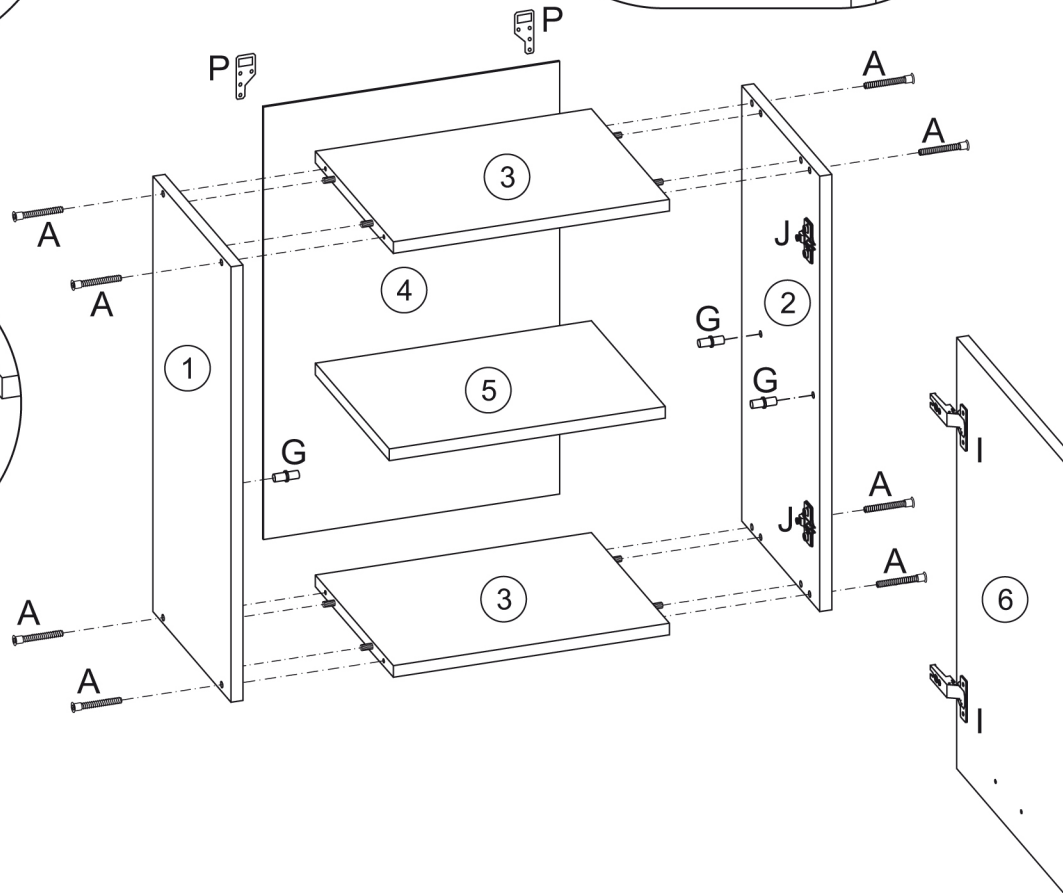
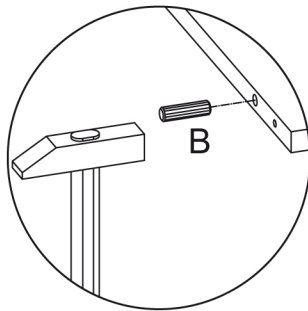
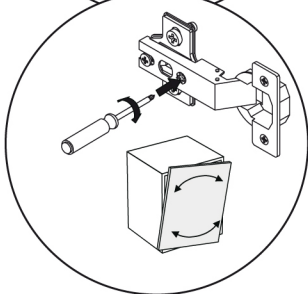
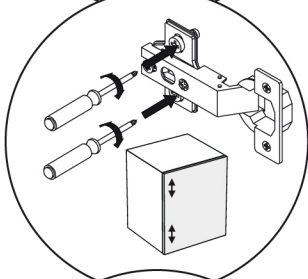
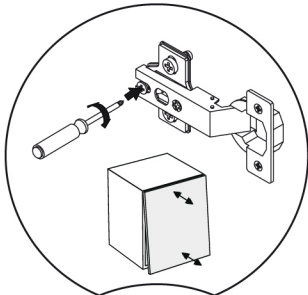
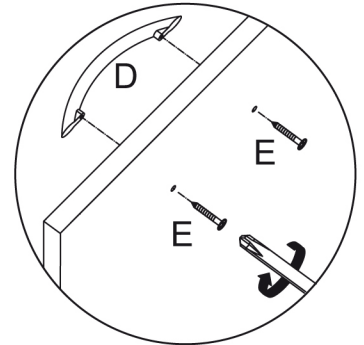
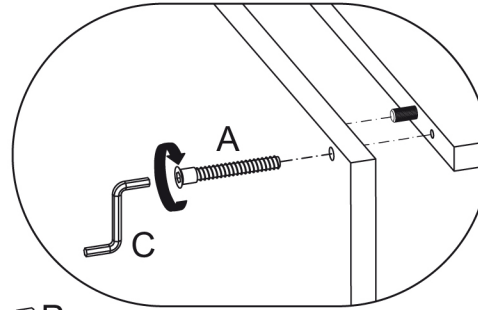
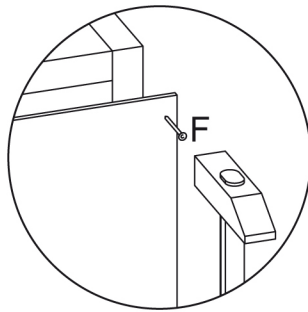
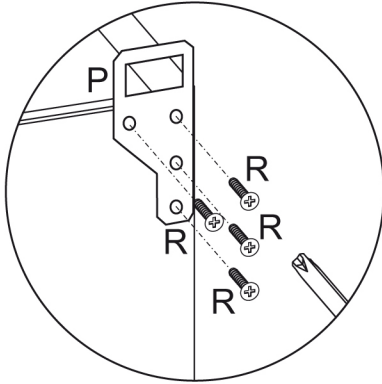
We regret to inform you, that in time complaint please give No packer and No missing and spoil element.



40 Up



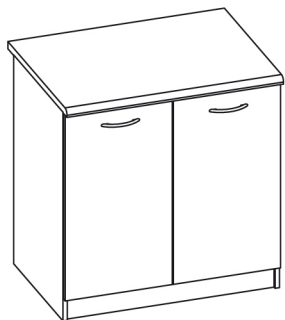
											
A	B	C	D	E	F	G	I	J	K	P	R
8	8	1	1	2	~20	4	2	2	4	2	8



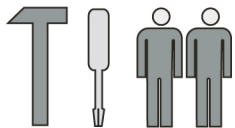
No packer:

Dear Customer.

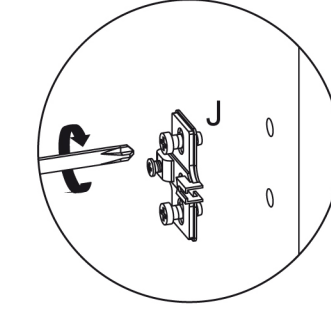
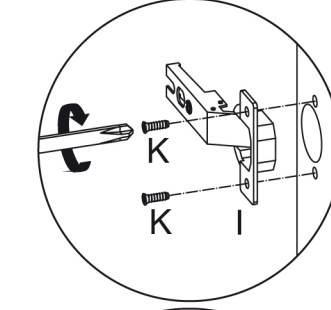
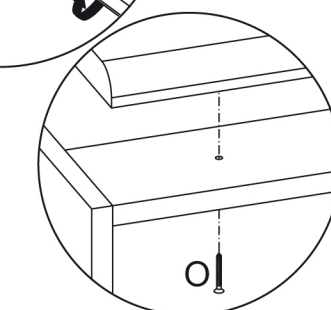
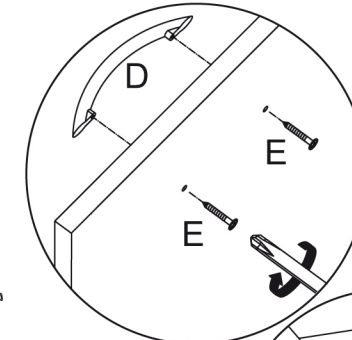
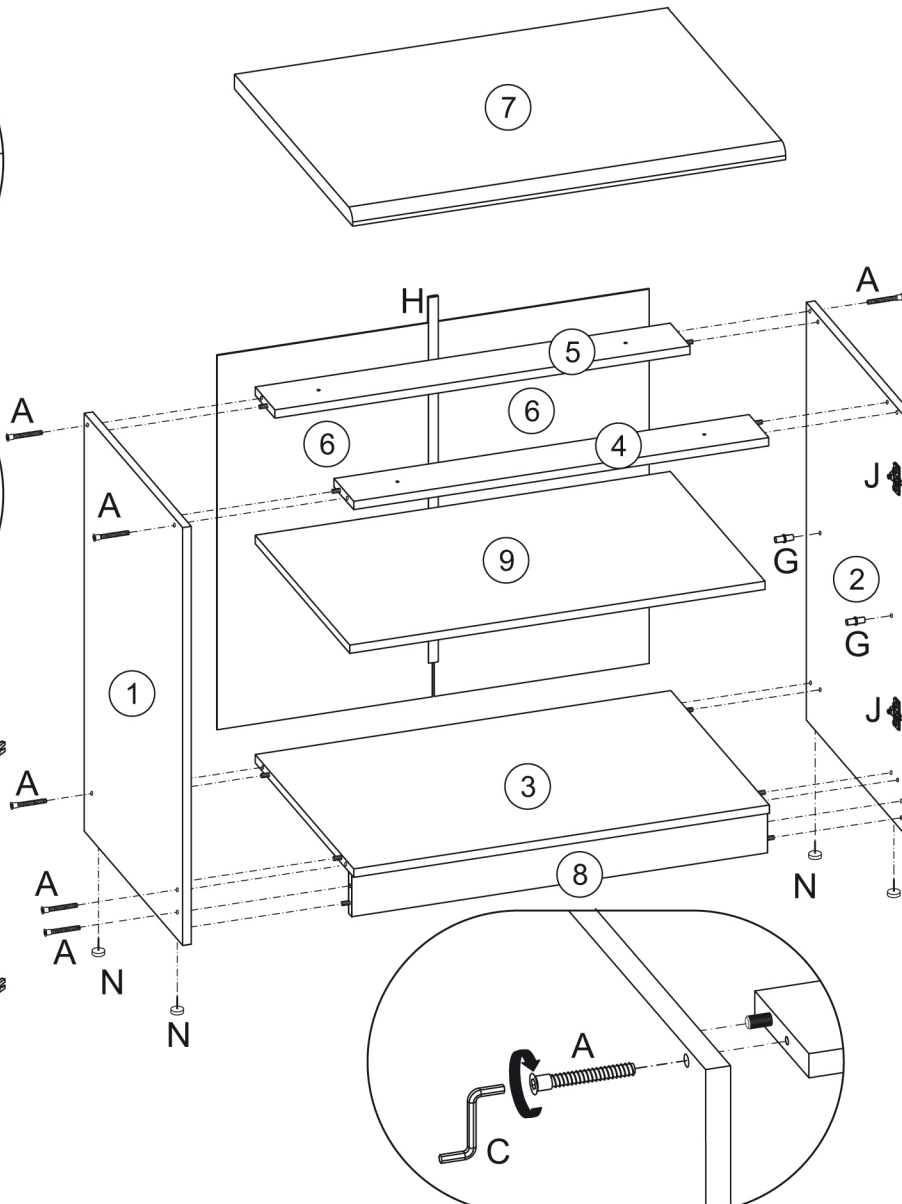
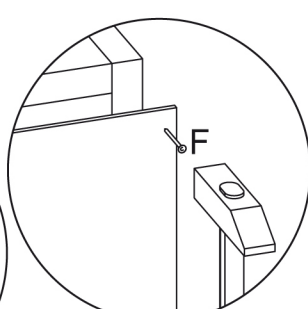
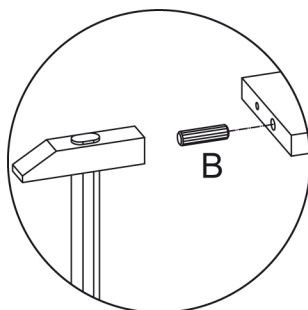
We regret to inform you, that in time complaint please give No packer and No missing and spoil element.



80 Down



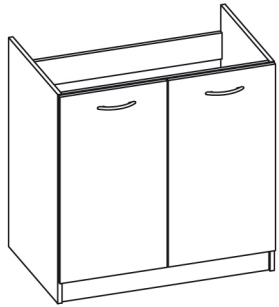
A	B	C	D	E	F	G	H	I	J	K	N	O
10	10	1	2	4	~20	4	1	4	4	8	4	4







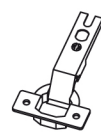





No packer:

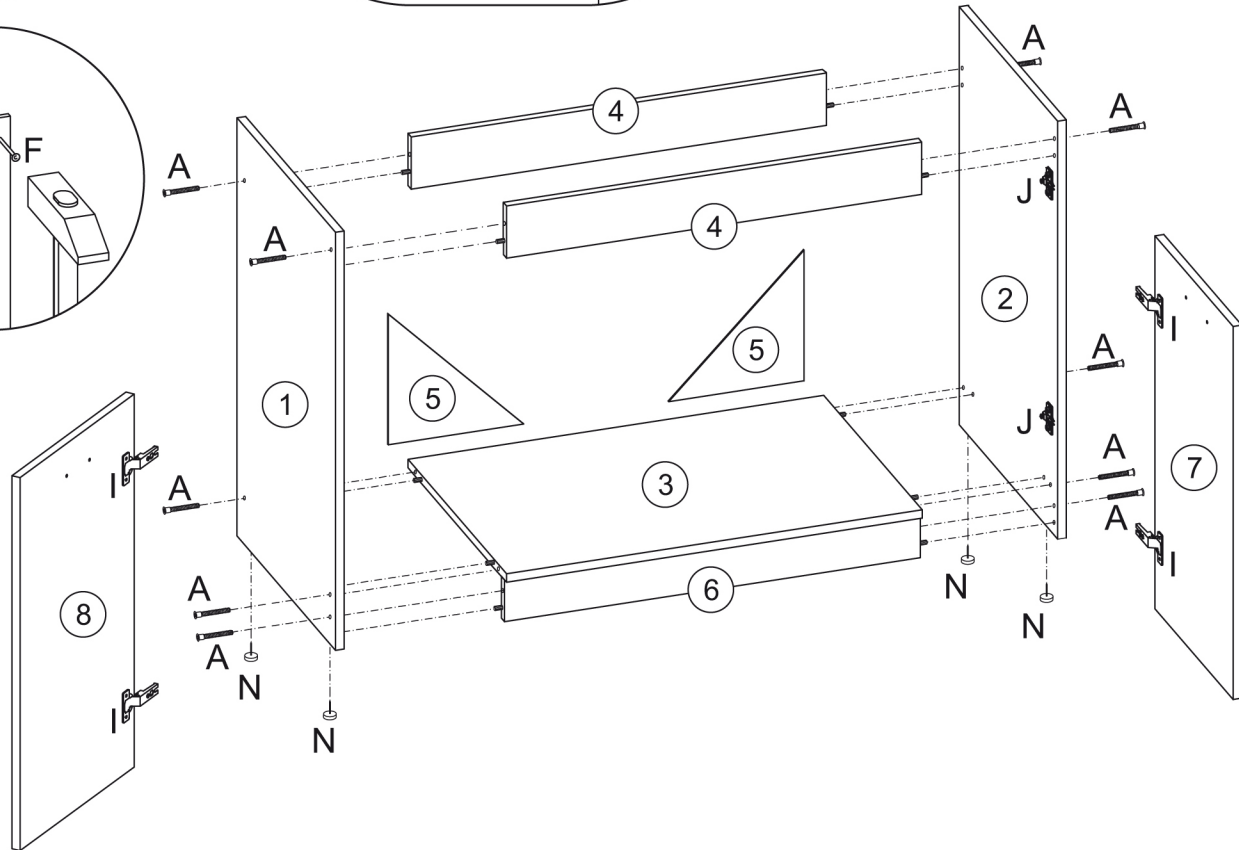
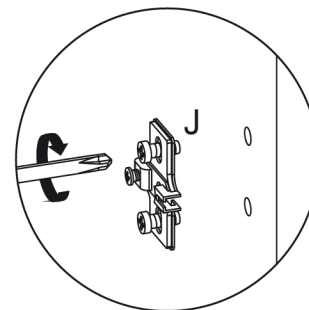
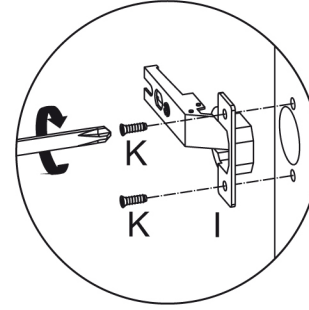
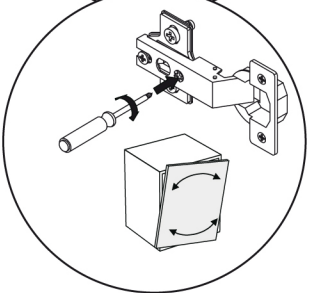
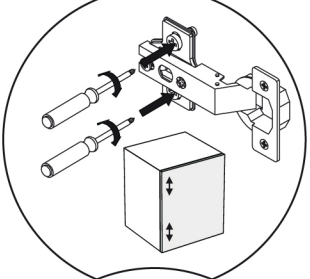
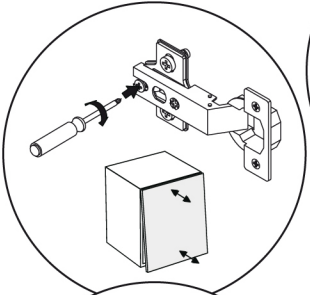
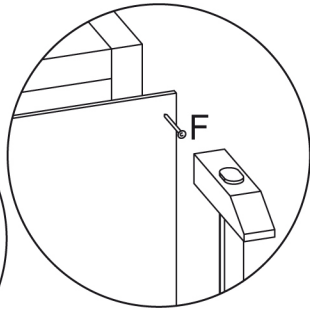
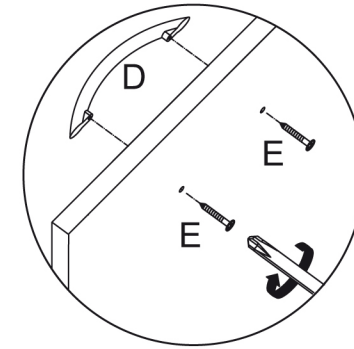
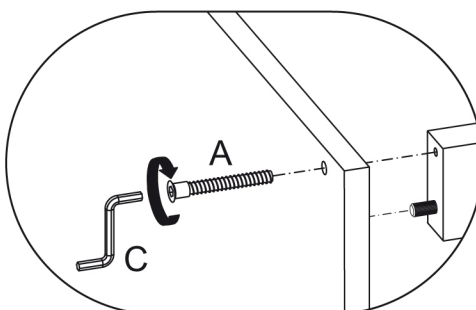
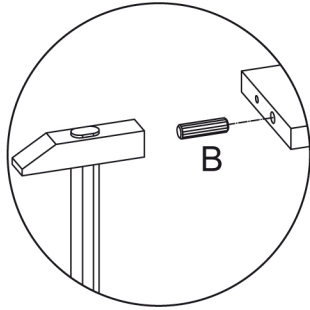
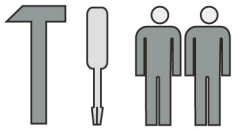
Dear Customer.

We regret to inform you, that in time complaint please give No packer and No missing and spoil element.



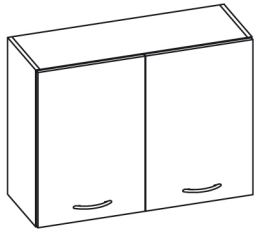
									
10	10	1	2	4	~20	4	4	8	4

80 Kitchen sink

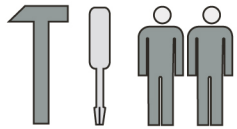










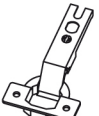


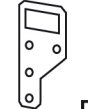

No packer:

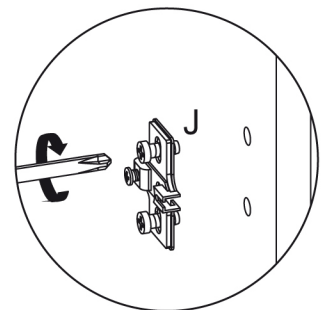
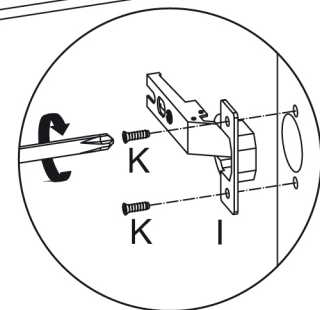
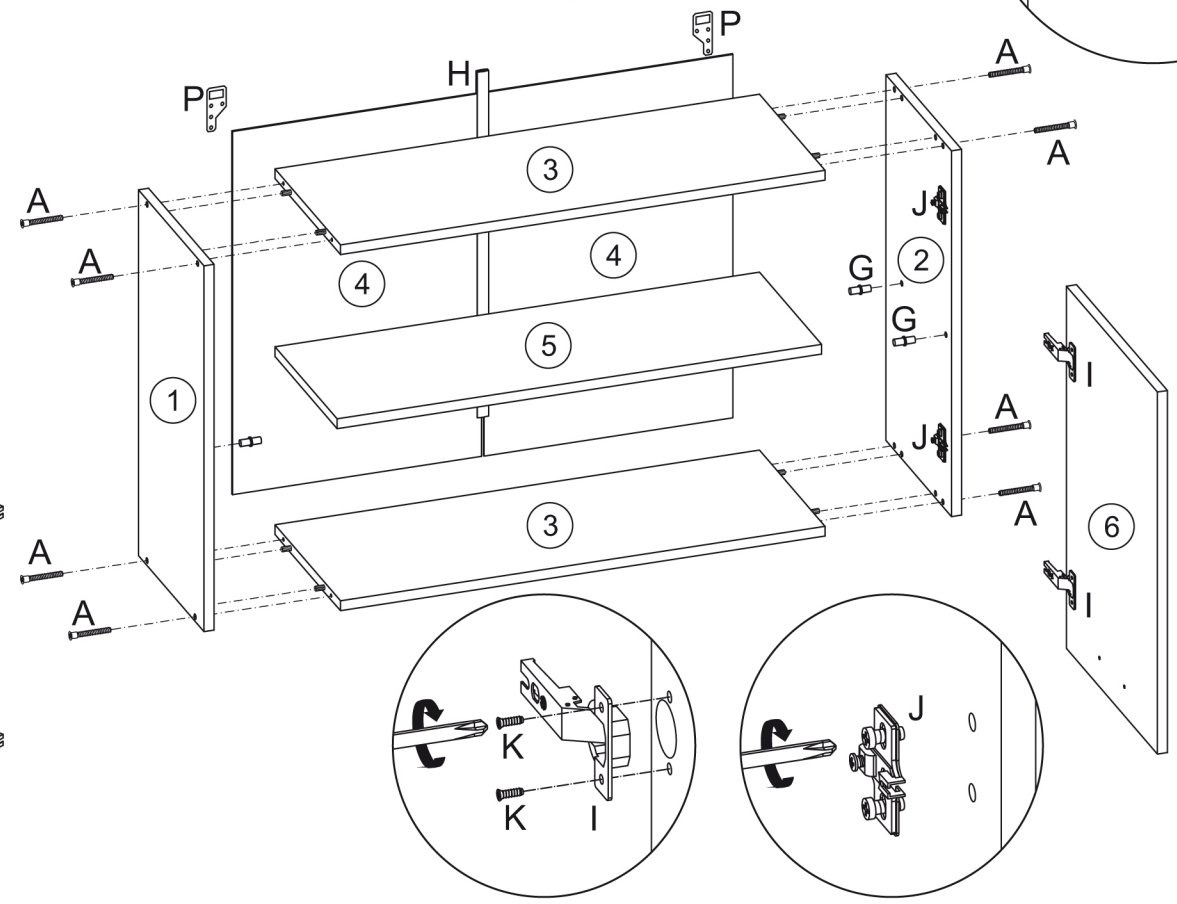
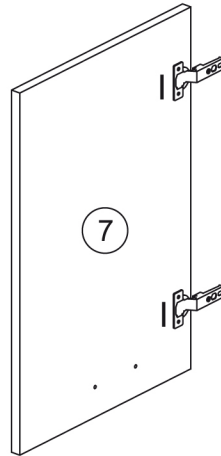
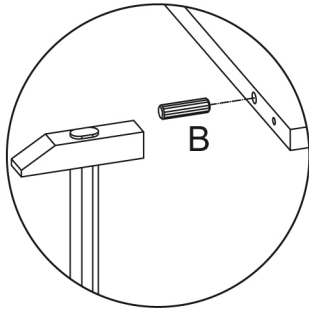
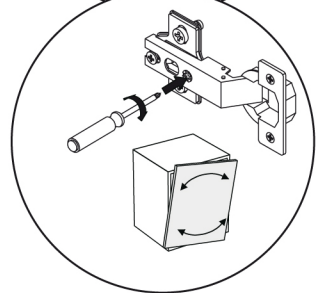
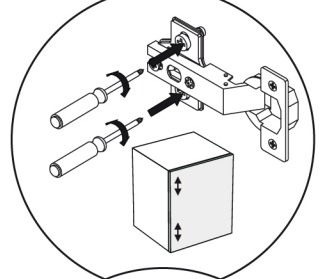
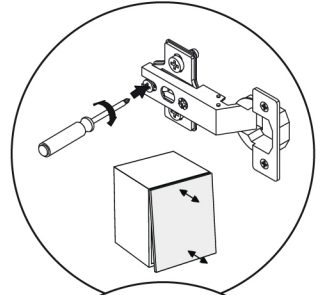
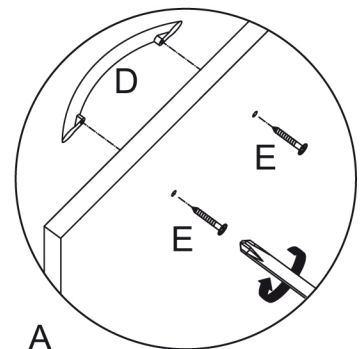
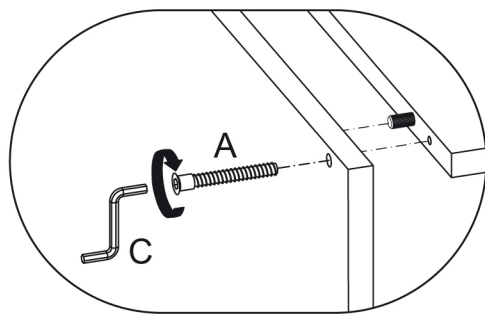
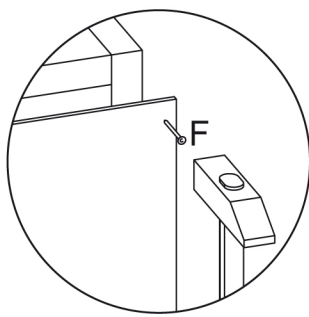
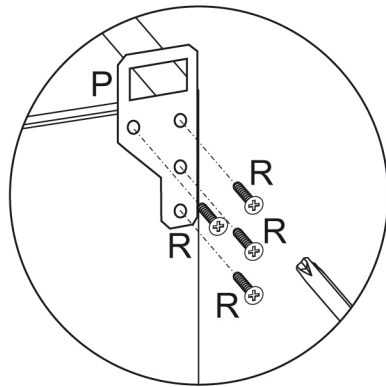
Dear Customer.
We regret to inform you, that in time complaint please give No packer and No missing and spoil element.



80 Up



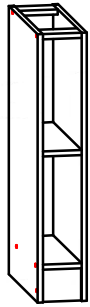
												
8	8	1	2	4	~20	4	1	4	4	8	2	8



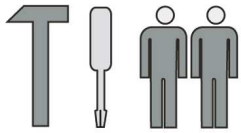
No packer:








Dear Customer.

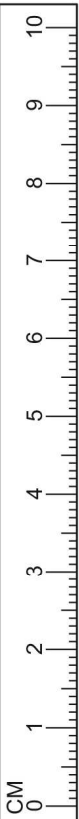
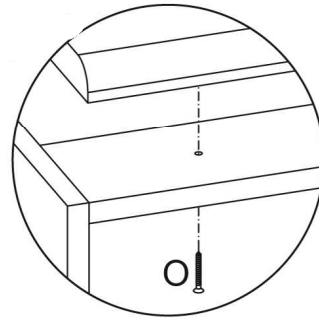
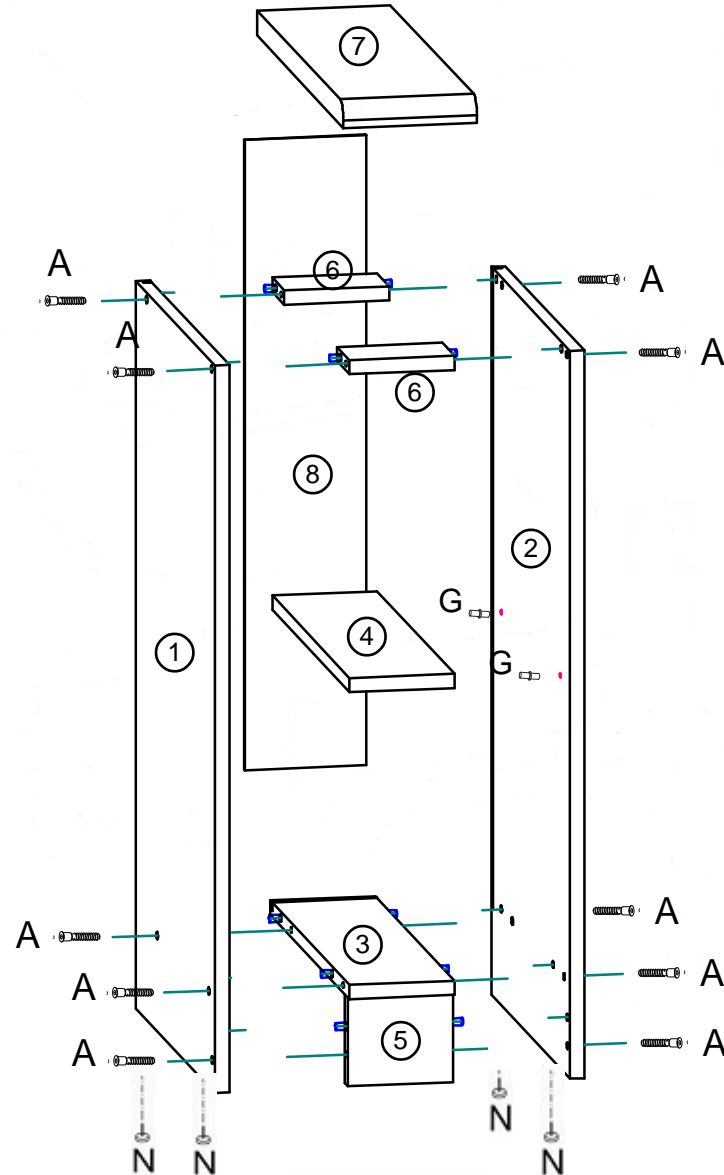
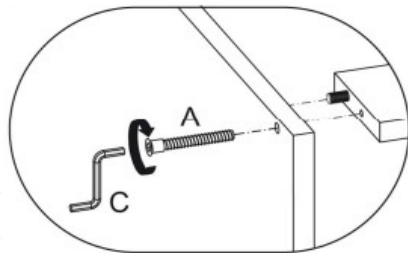
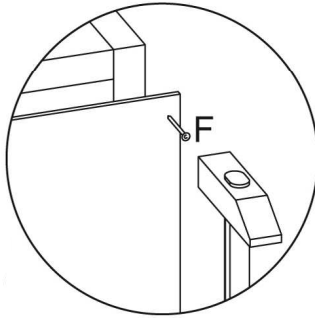
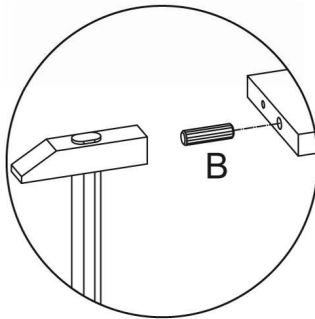
We regret to inform you, that in time complaint please give No packer and No missing and spoil element.



D-15

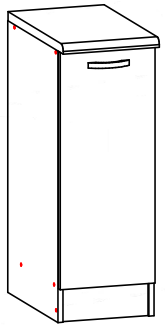


						$\phi 4.0 \times 30 \text{mm}$ 
A	B	C	F	G	N	O
10	10	1	~20	4	4	2

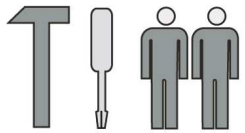





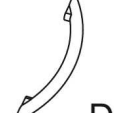



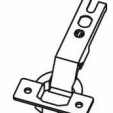




No packer:

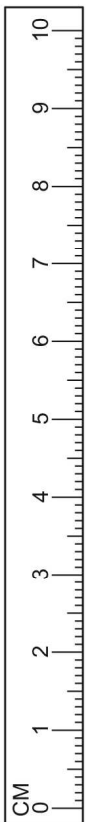
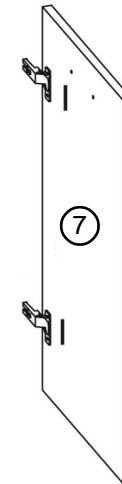
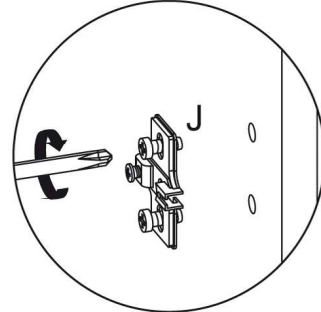
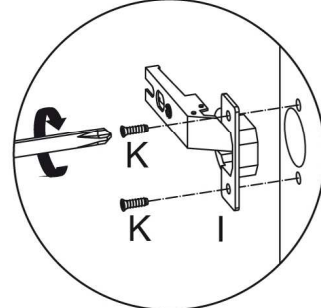
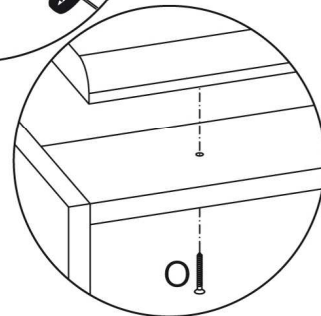
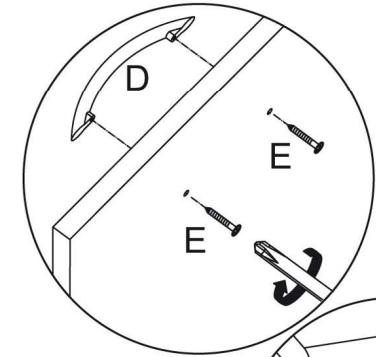
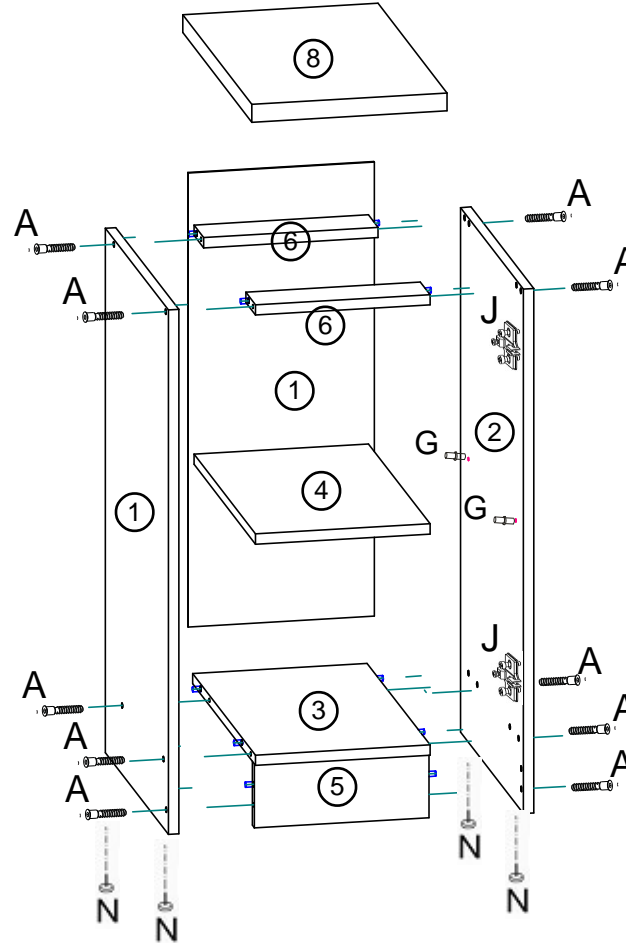
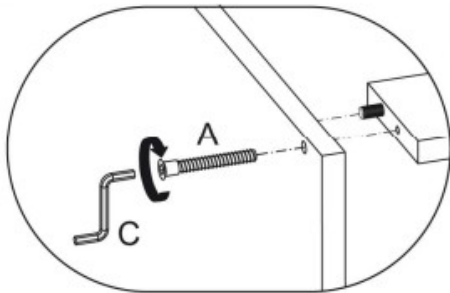
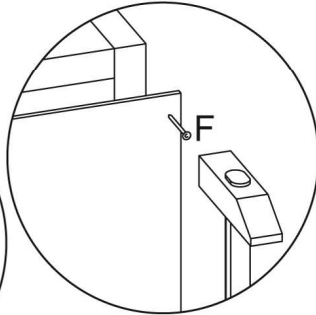
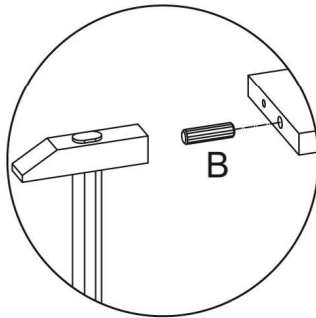
Dear Customer.
We regret to inform you, that in time complaint please give No packer and No missing and spoil element.



D-30



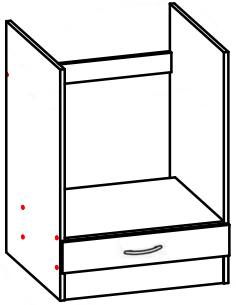
											
10	10	1	1	2	~20	4	2	2	4	4	4



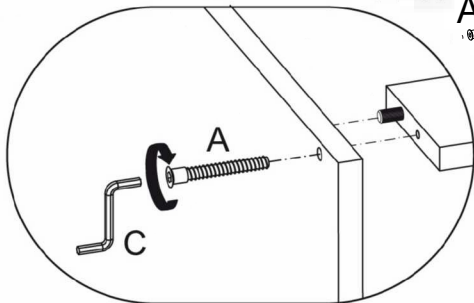
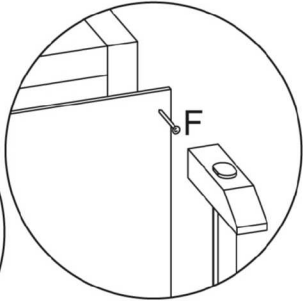
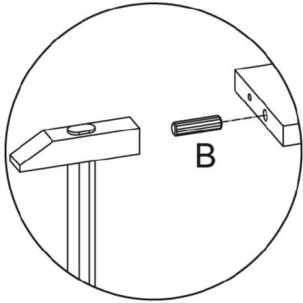
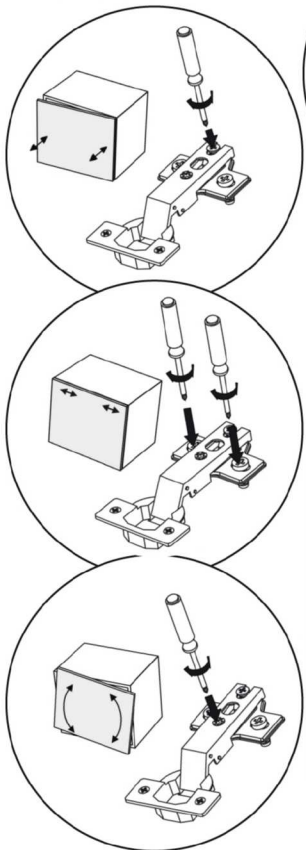
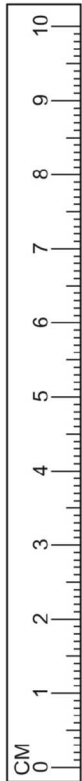
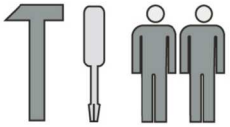
No packer:



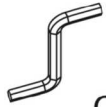







Dear Customer.

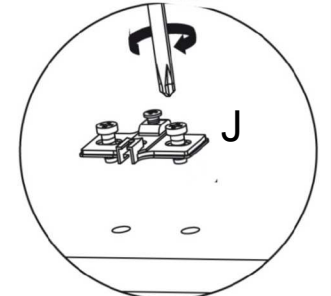
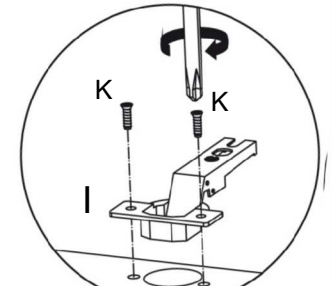
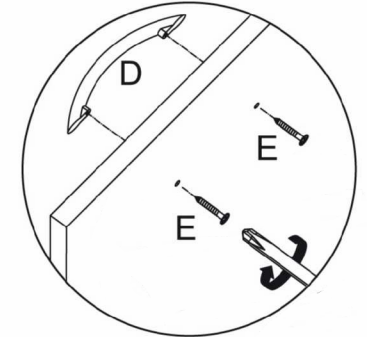
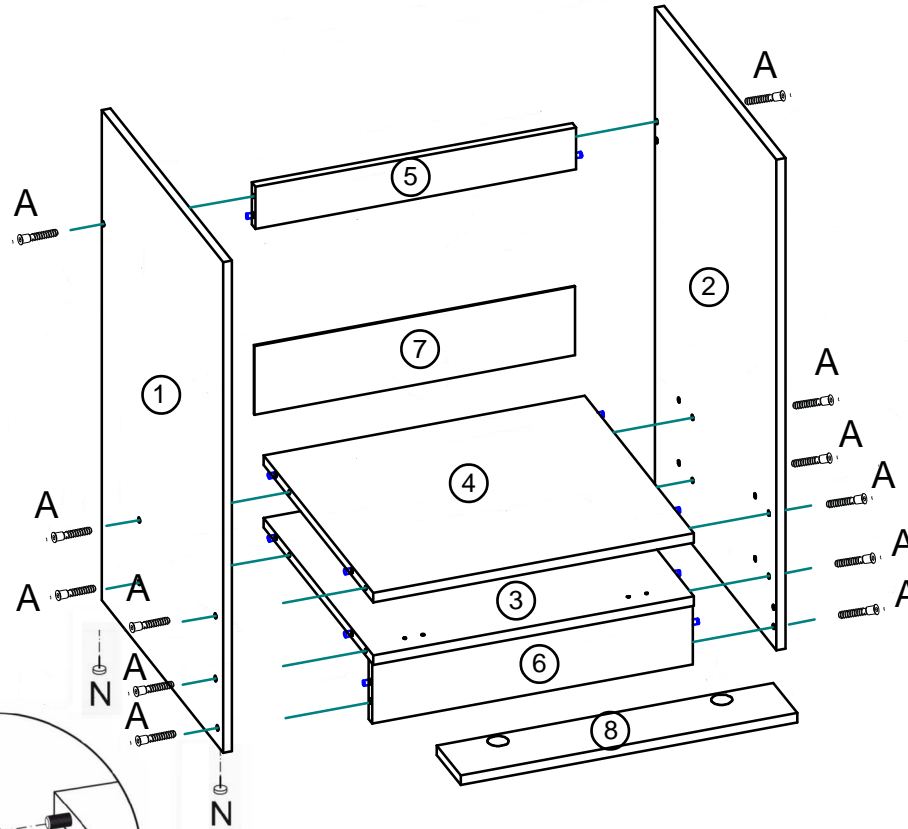
We regret to inform you, that in time complaint please give No packer and No missing and spoil element.



DP-60_82



									
A	B	C	D	E	F	I	J	K	N
12	12	1	1	2	~20	2	2	4	4



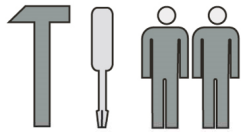
No packer:



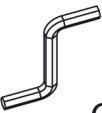


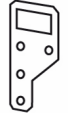

Dear Customer.

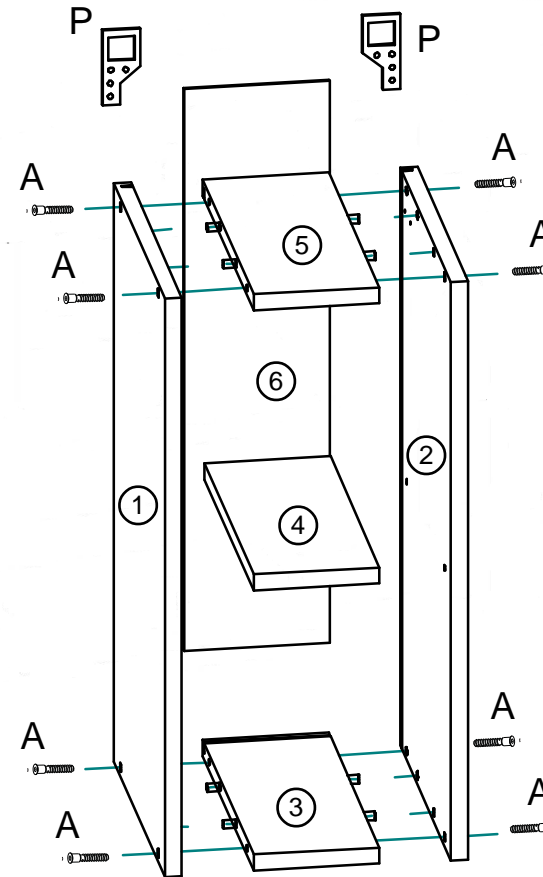
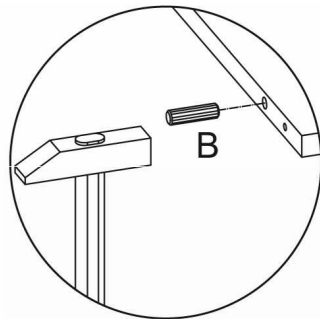
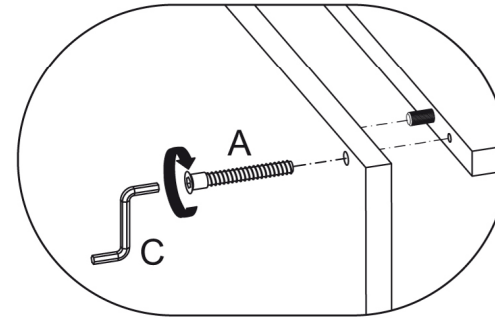
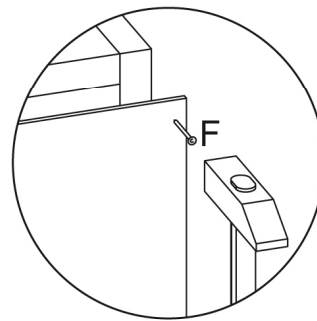
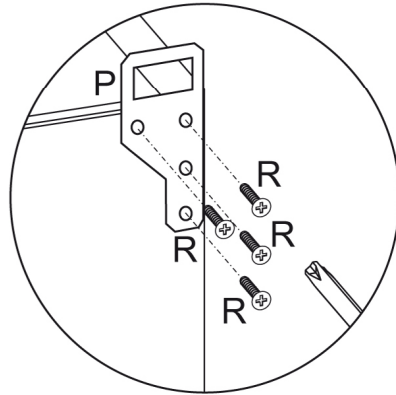
We regret to inform you, that in time complaint please give No packer and No missing and spoil element.



G-15



						
A	B	C	F	G	P	R
8	8	1	~20	4	2	8



No packer:

Dear Customer.

We regret to inform you, that in time complaint please give No packer and No missing and spoil element.