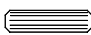



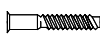








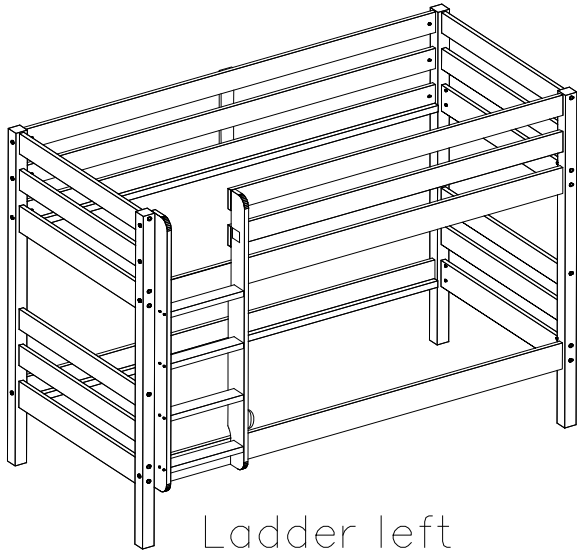


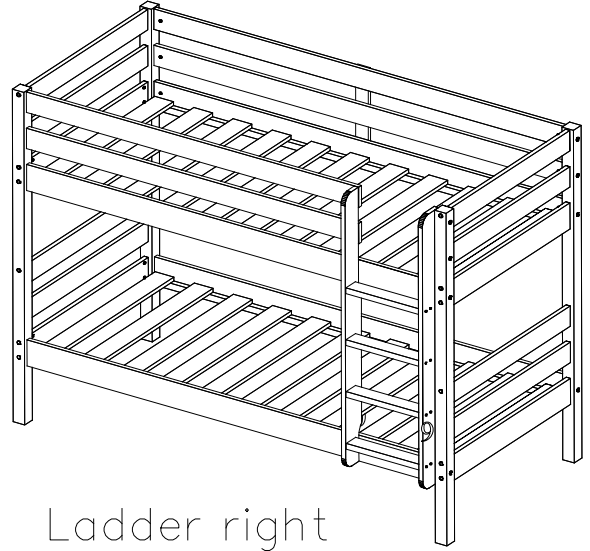
A		10x40	x68
B		6,3x90	x8
C		M6x90	x30
D		M6x10x13	x30
E		7x50	x16
F		M6x70	x1
G		M6x8x12x15	x1

H		5,5x55	x8
J		5,0x30	x6
K		3,5x40	x52
L		D8x13	x1
M		D4x13	x16
		4mm	x2

1

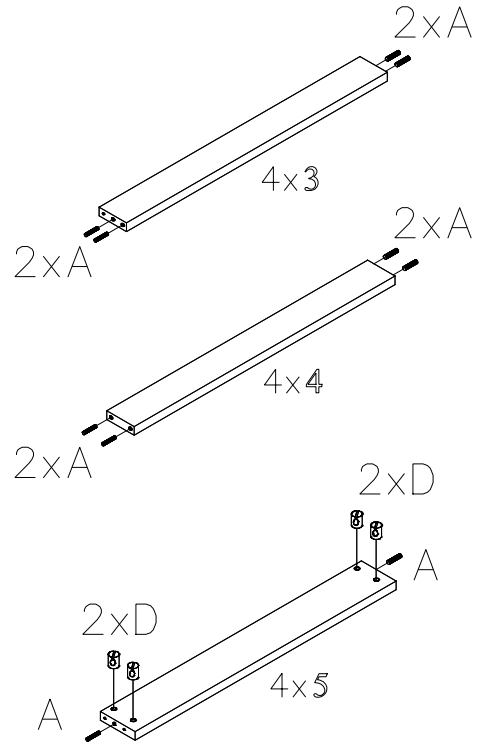
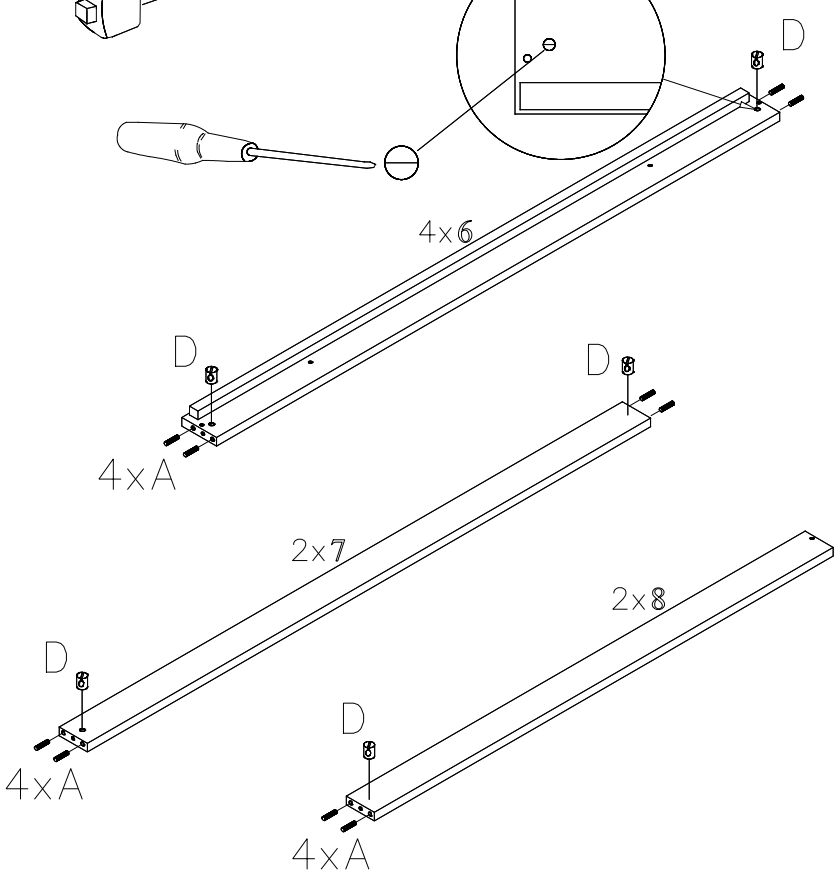
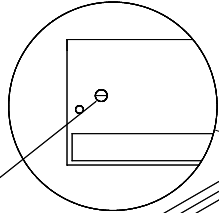
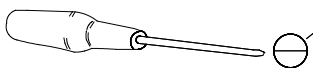
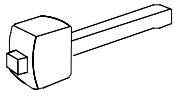


Ladder left



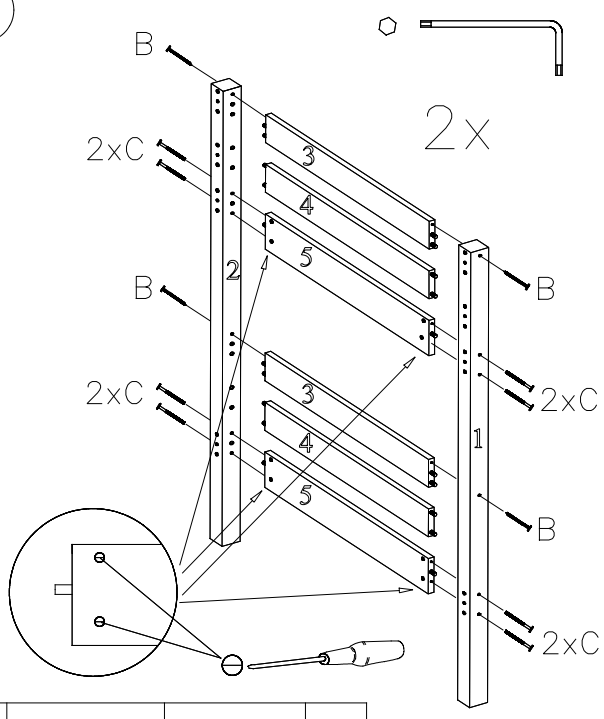
Ladder right

2



A		10x40	x68
D		M6x10x13	x30

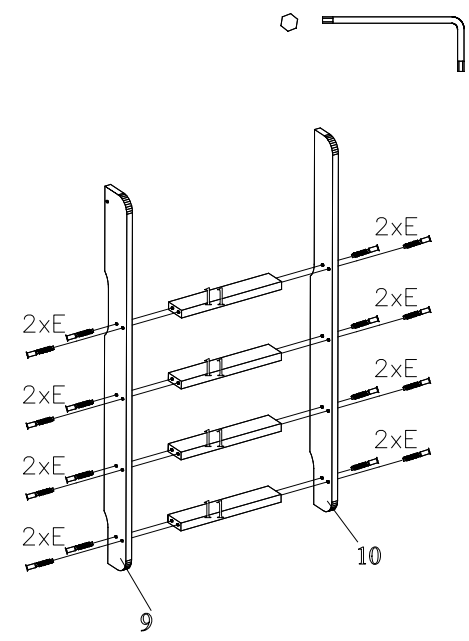
3



B		6,3x90	x8
C		M6x90	x16

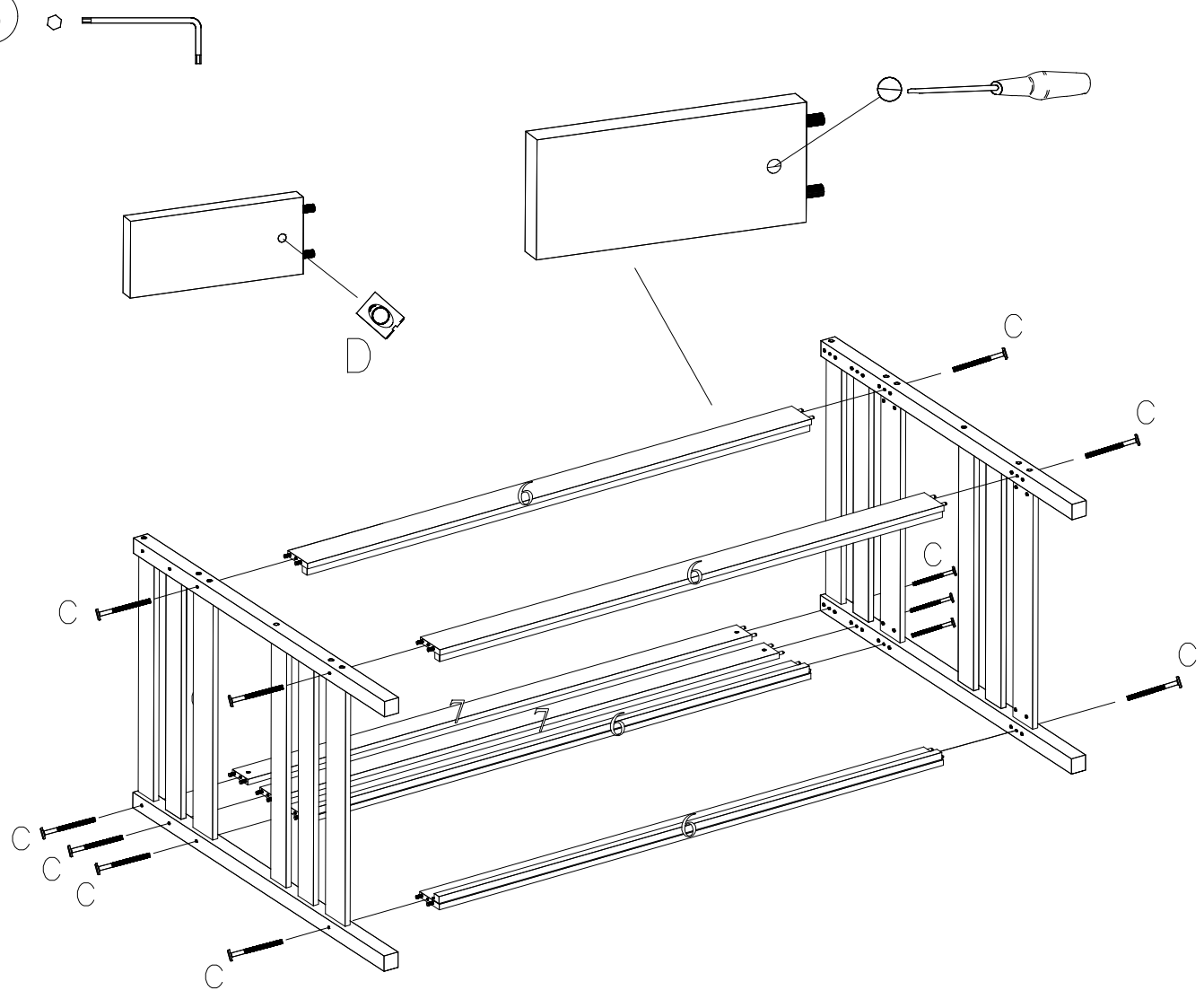
4

Assembling ladder left



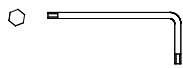
E		7x50	x16
---	--	------	-----

5

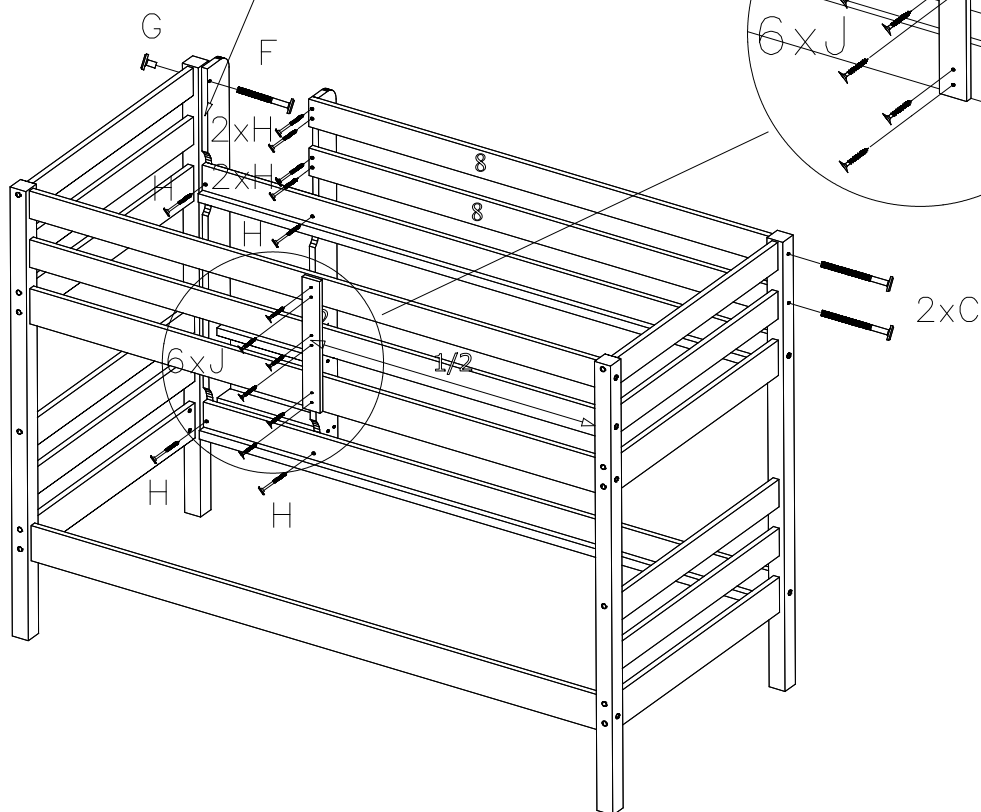


C		M6x90	x12
D		M6x10x13	x12

6



MAX. MATTRESS HEIGHT



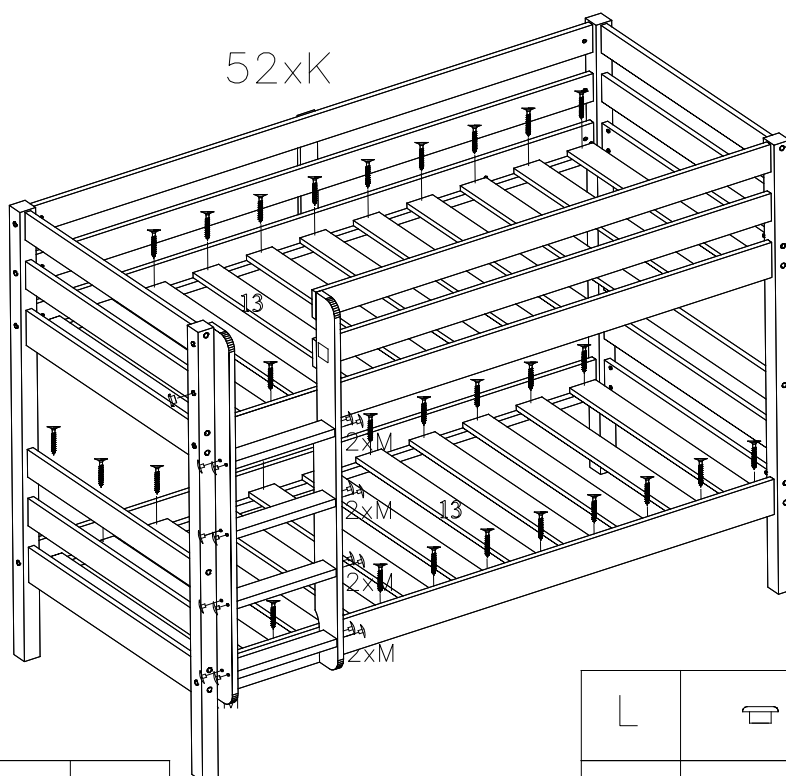
C		M6x90	x2
F		M6x70	x1
G		M6x8x12x15	x1

H		5,5x55	x8
J		5,0x30	x6

7



52xK



K		3,5x40	x52
---	--	--------	-----

L		D8x13	x1
M		D4x13	x16