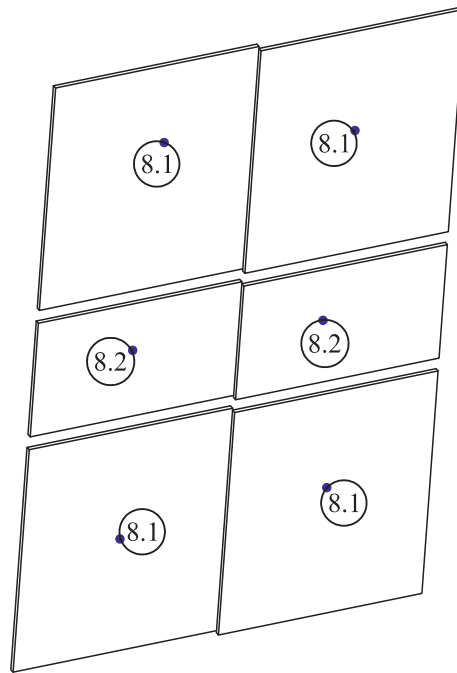
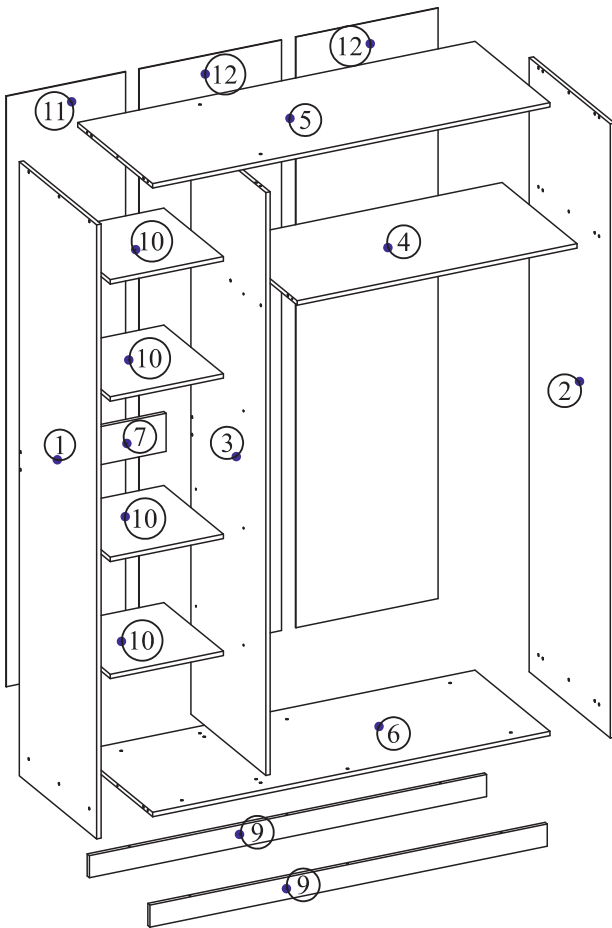
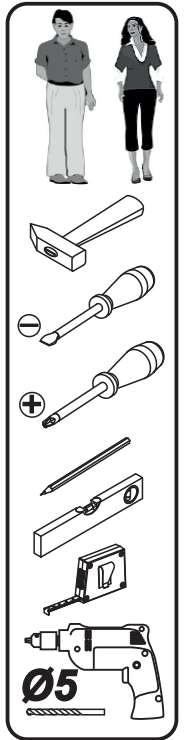
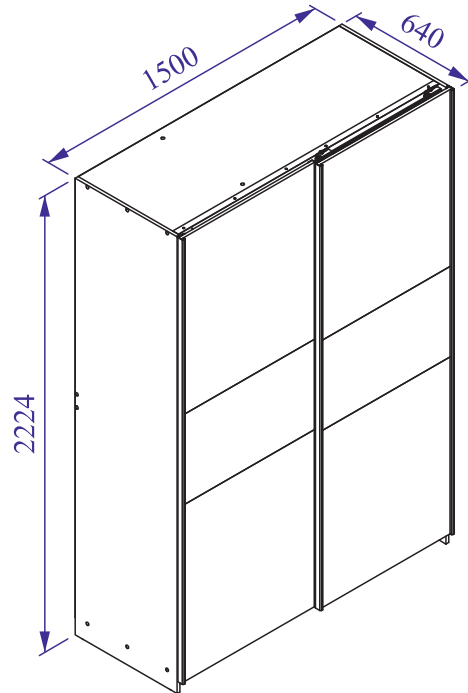
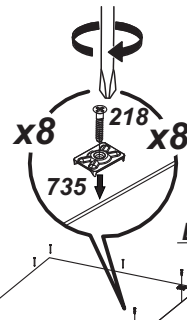
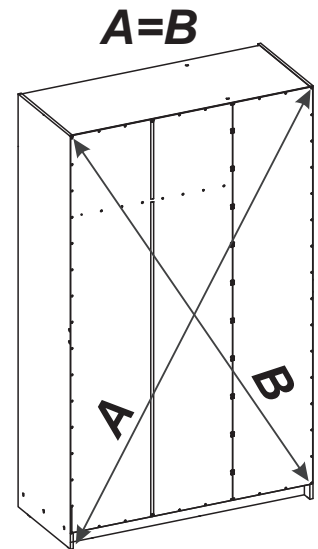
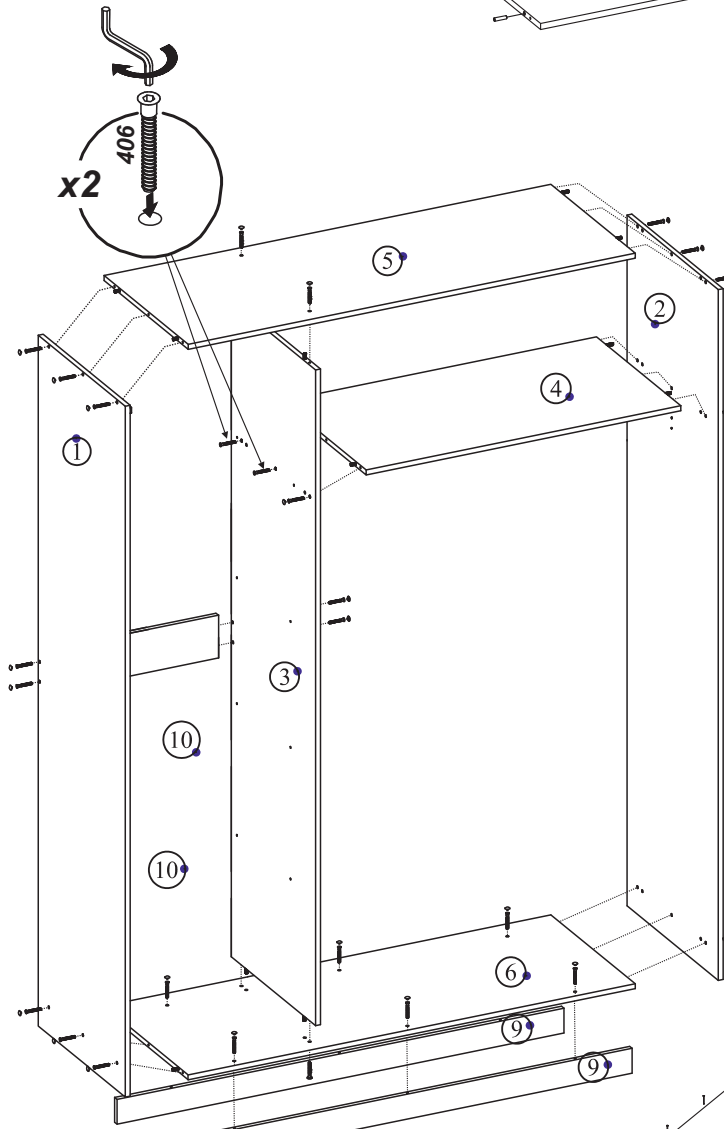
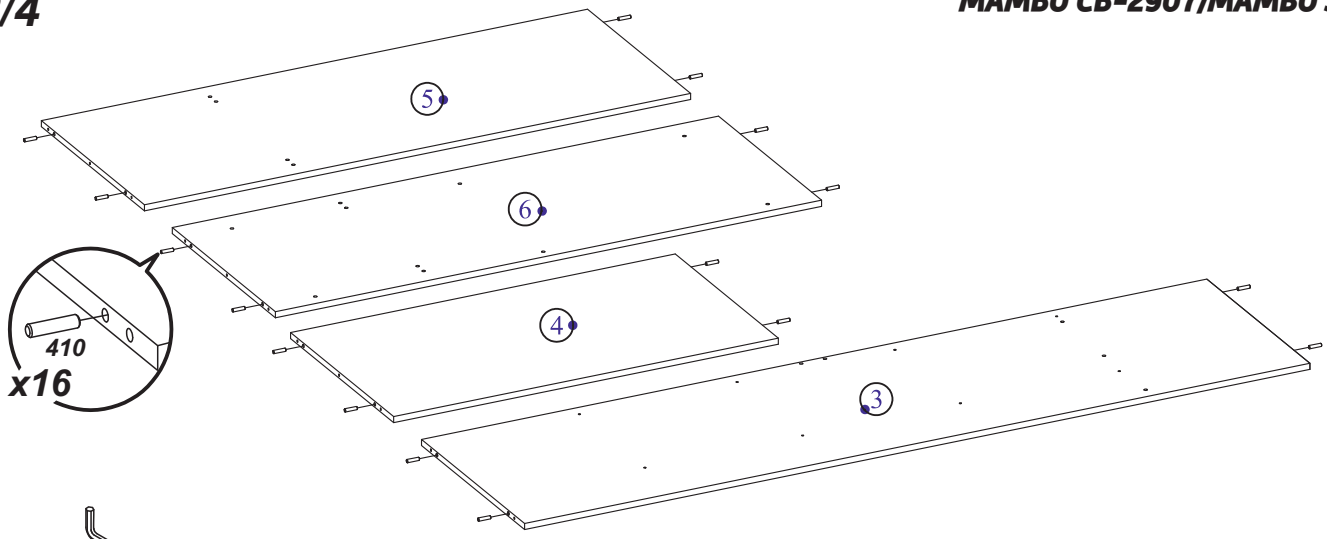


№	L	B	S	N	P
1	2224	572	16	1	2/5
2	2224	600	16	1	2/5
3	2111	554	16	1	3/5
4	1034	554	16	1	1/5
5	1468	554	16	1	1/5
6	1468	554	16	1	1/5
7	418	138	16	1	1/5
8.1	752	862	16	4	4/5
8.2	752	440	16	4	4/5
9	1468	80	16	2	1/5
10	440	418	16	4	1/5
11	2139	441	3	1	2/5
12	2139	526	3	2	3/5



726	Ø4x14	512															
	x2																
725		513															
	x2																
727		598															
	x1																
724		722															
	x2																
723		720															
	x2																
719		718															
	x2																
301	1,6x25	218	Ø3x18	205	Ø4x16	202	Ø4x13	735	412	470	411	406					
	x48		x8		x4		x101		x8		L=1028mm x1		x8		x2		x32
461	209	Ø4x25	407	407	410	Ø8x30	405	707	721	718							
	x30		x4		L=415mm x1		L=1680mm x1		x16		x16		x4		x1		x1



L=415mm
L=1680mm

