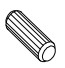





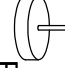

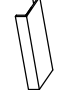
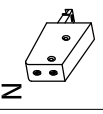

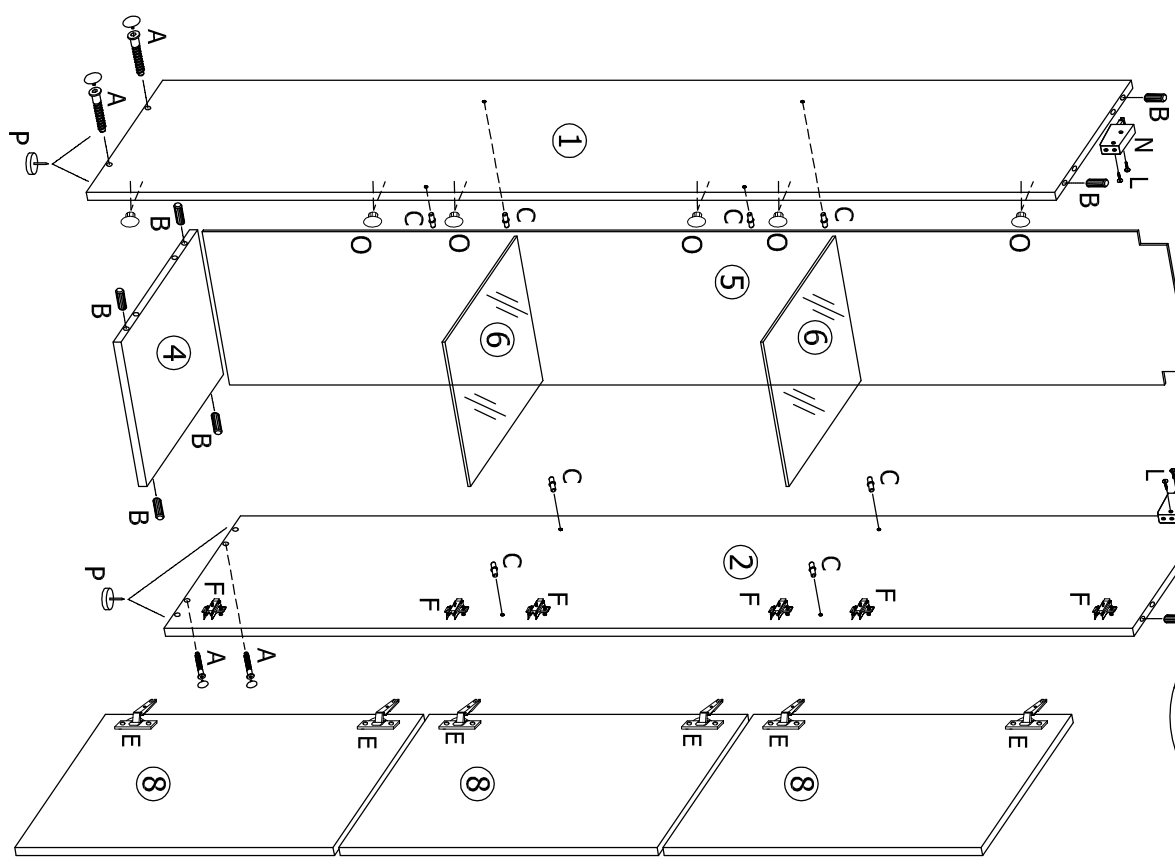
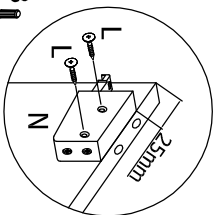
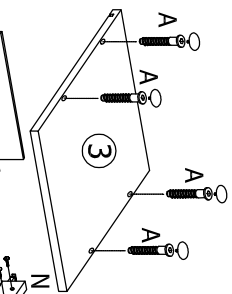
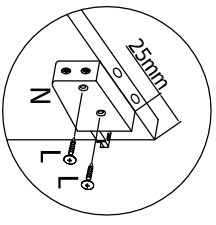
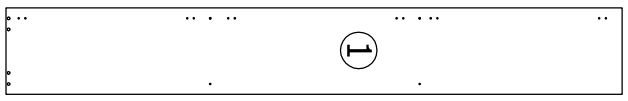
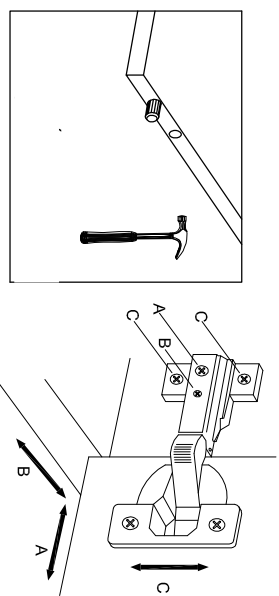
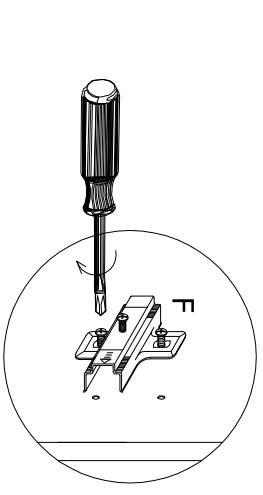
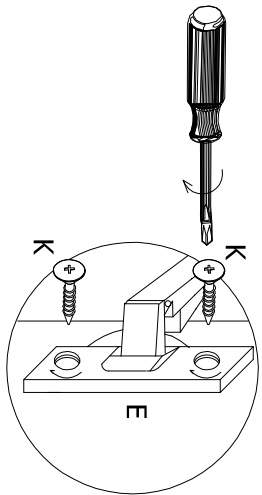
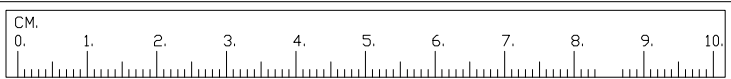
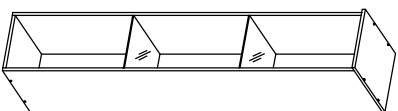
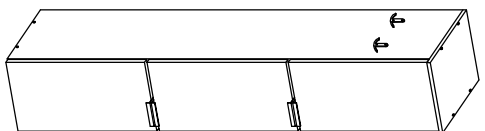
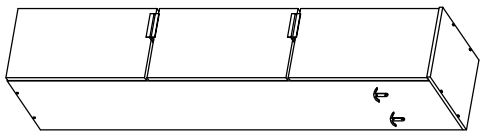
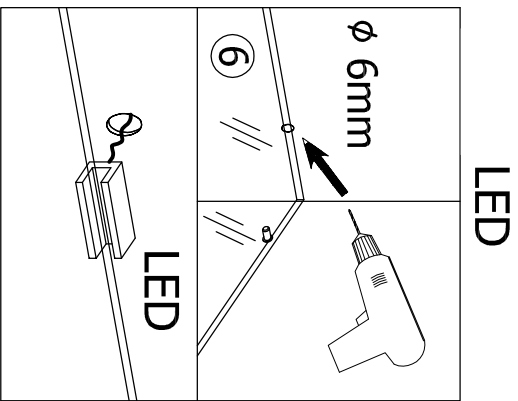
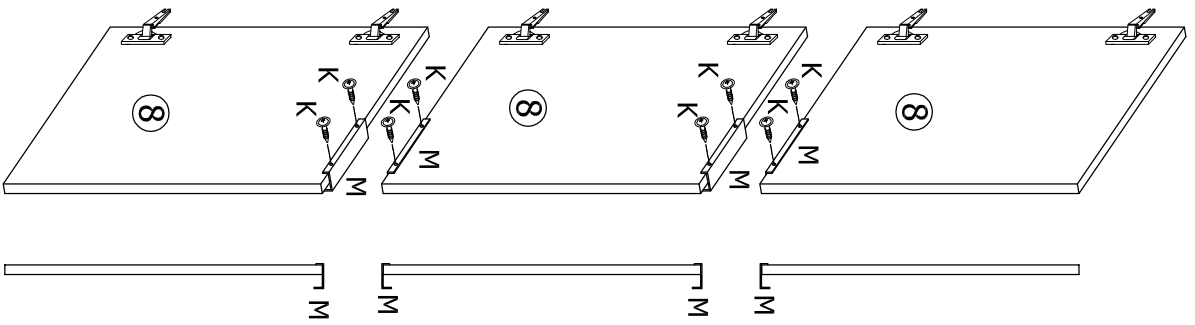
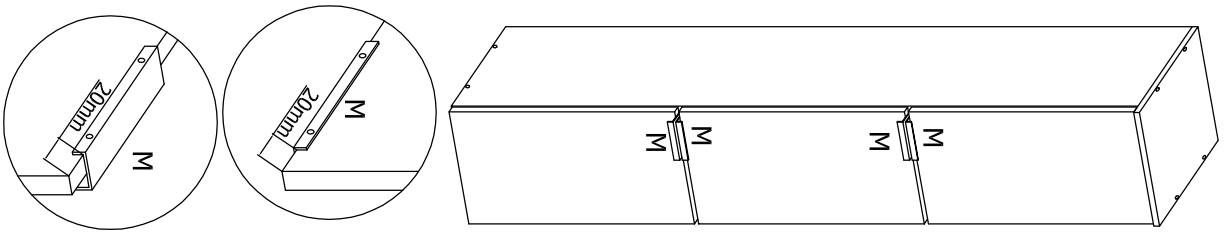
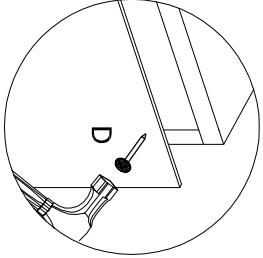
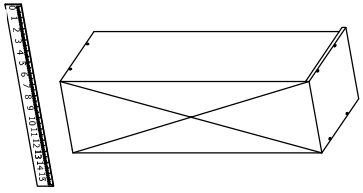
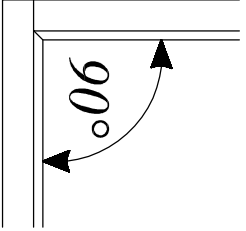
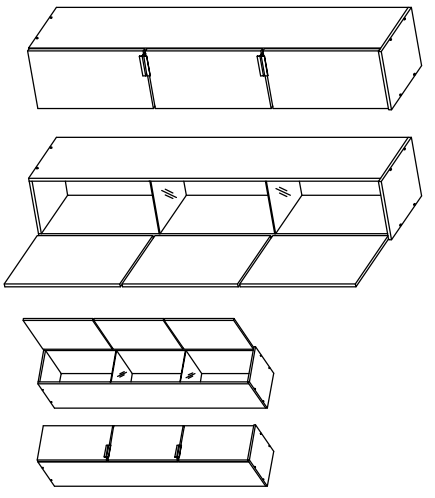
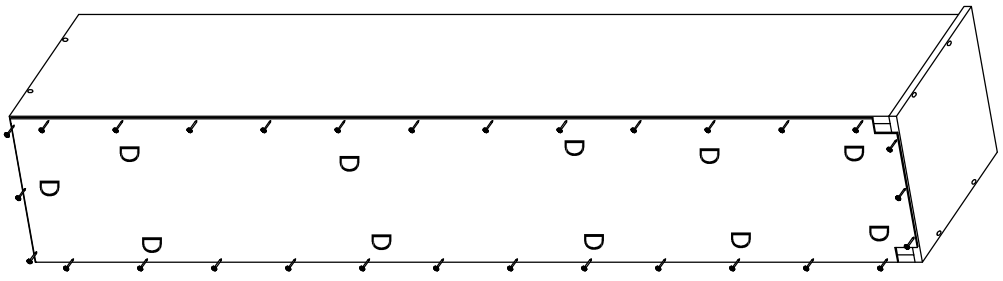
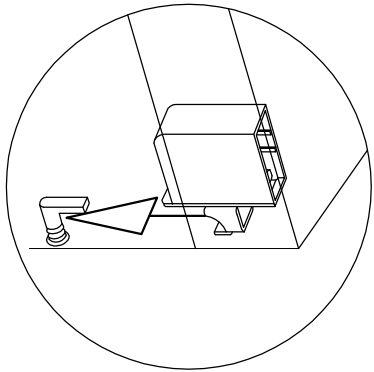
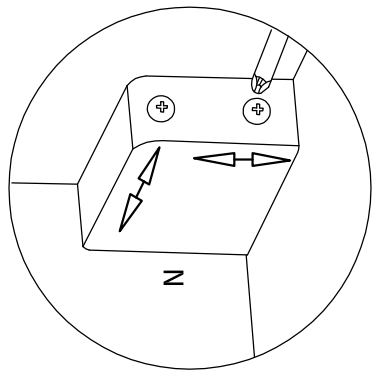
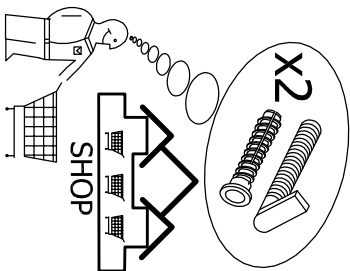
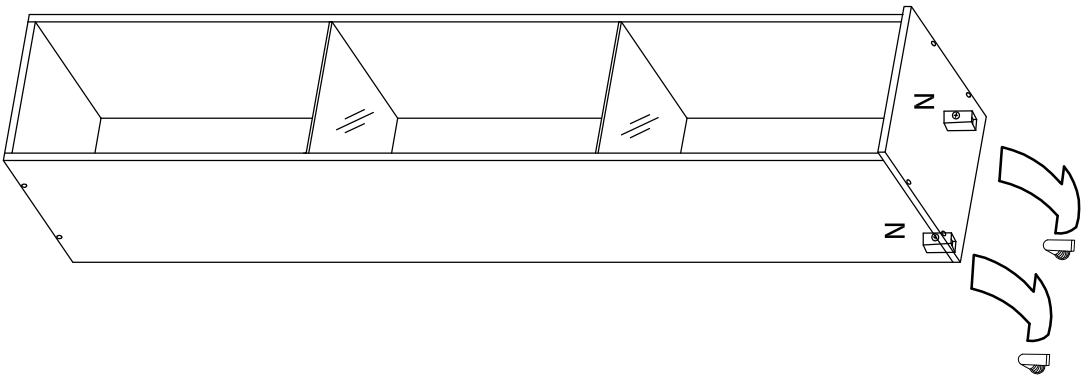
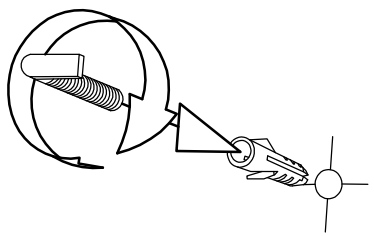
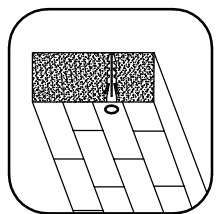
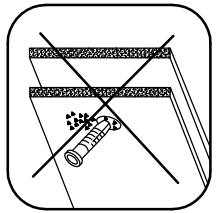
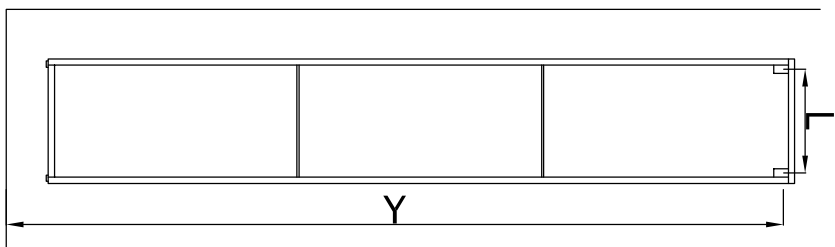
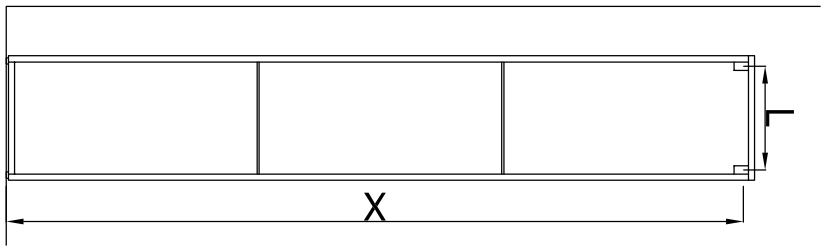
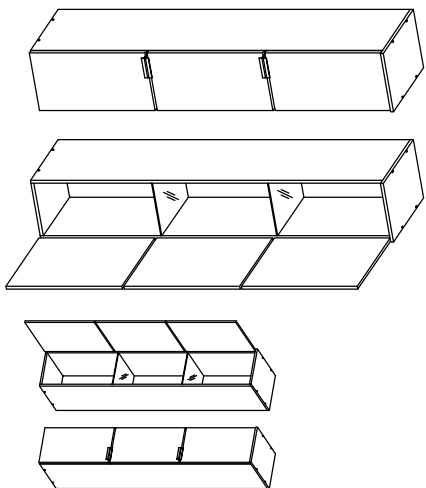
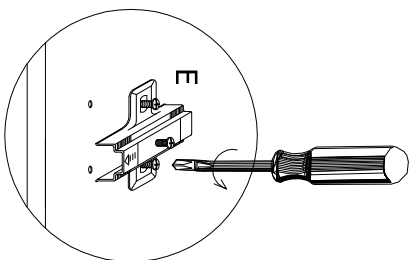
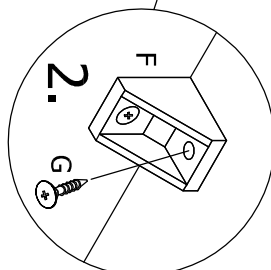
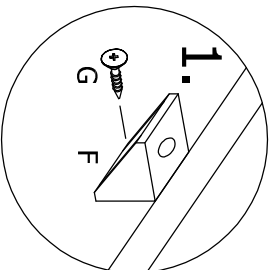
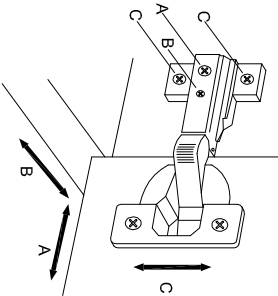
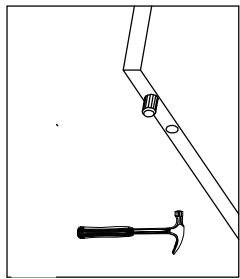
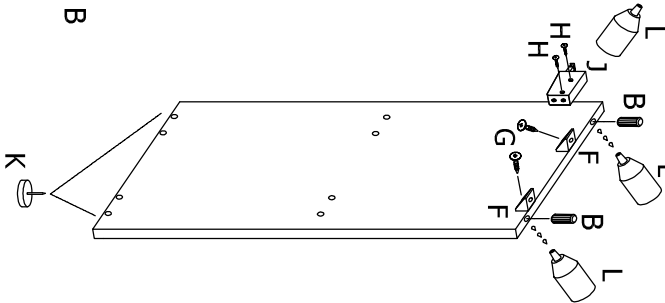
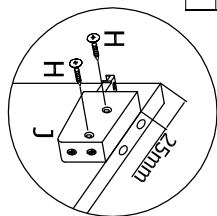
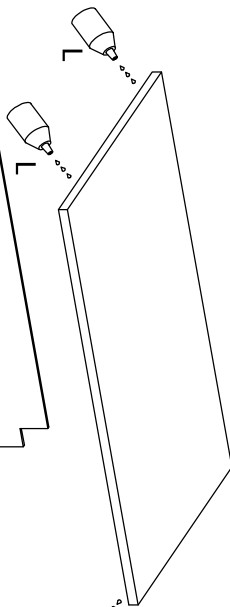
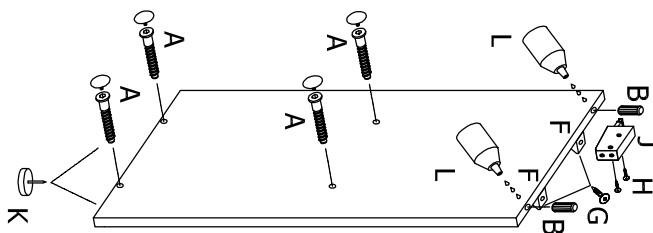
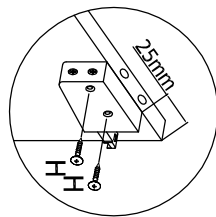
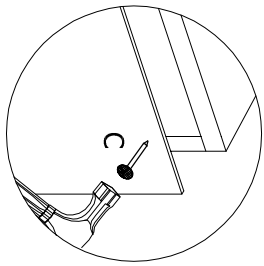
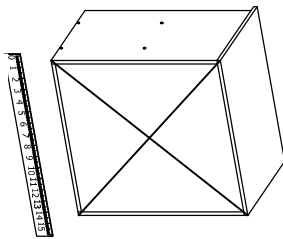
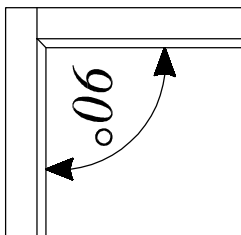
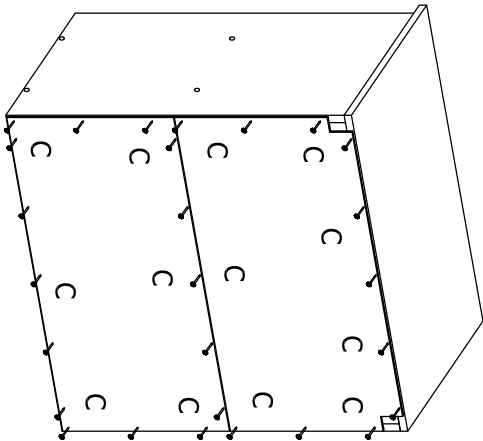
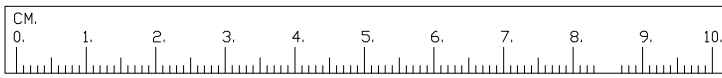
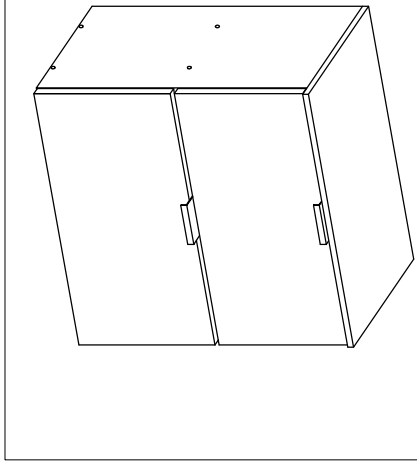
	8		8		8		30
	6		6		20		4
	4		4		2		12
[4.0x30mm]				[4.0x16mm]			

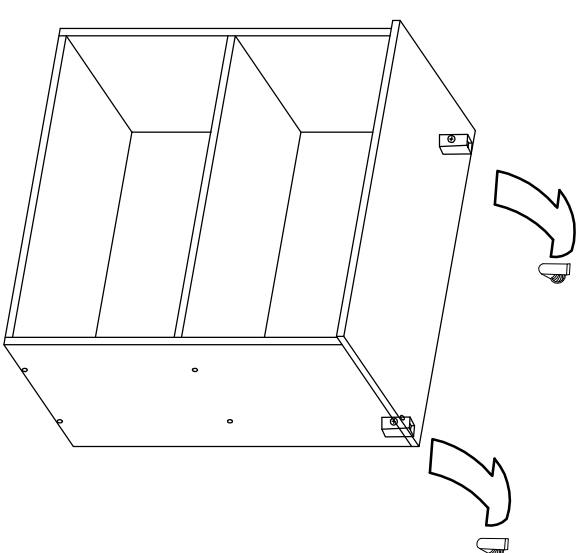
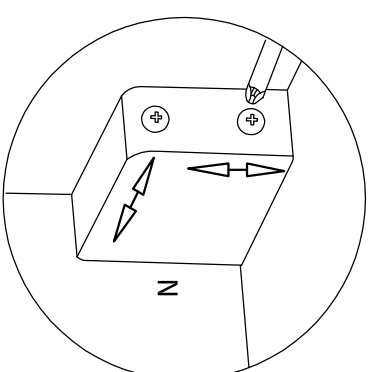
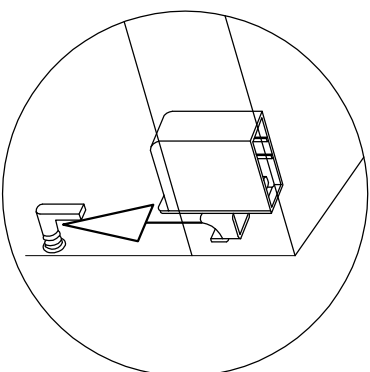
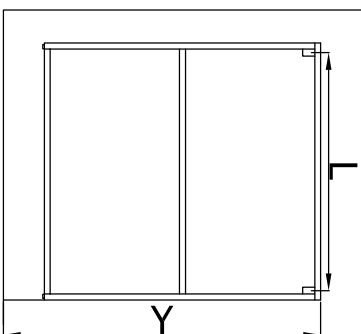
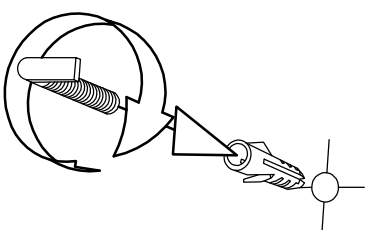
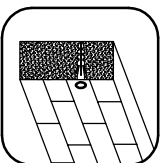
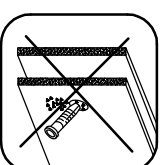
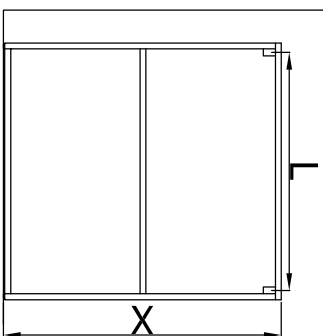
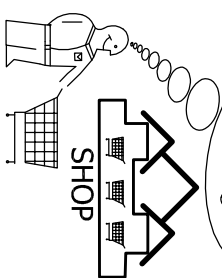
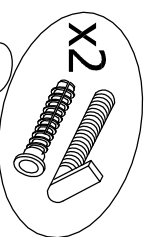
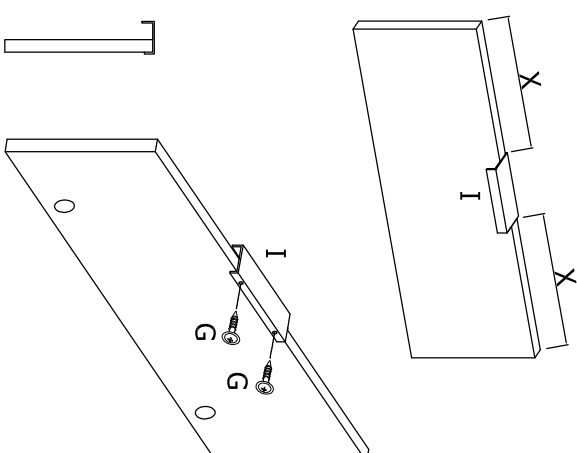
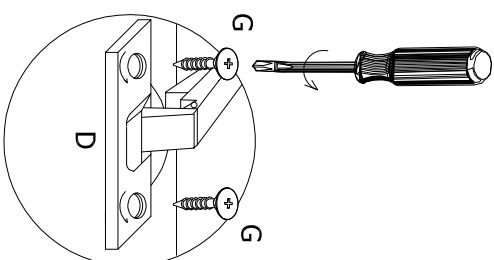
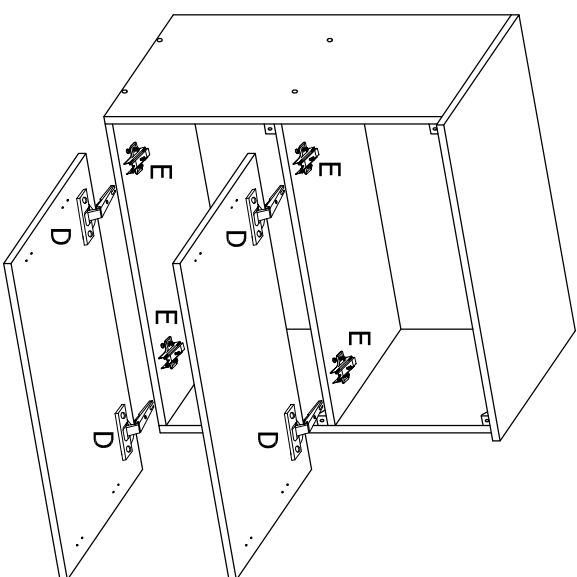
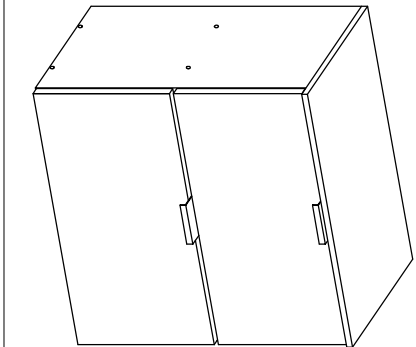


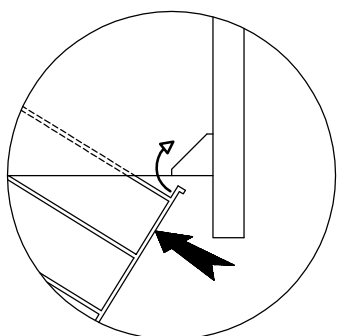
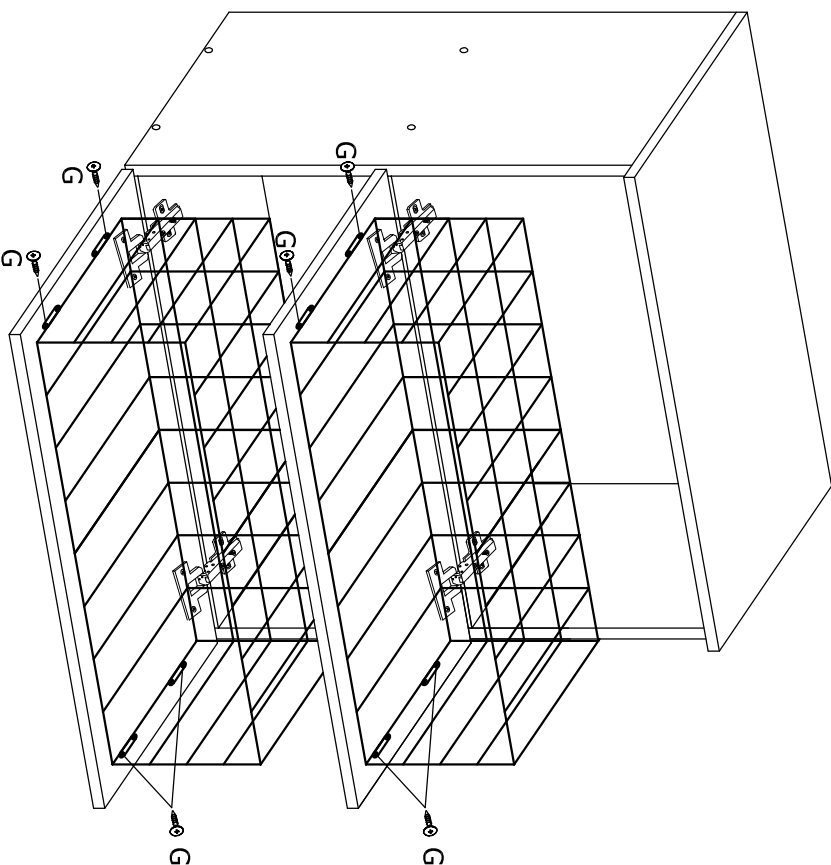
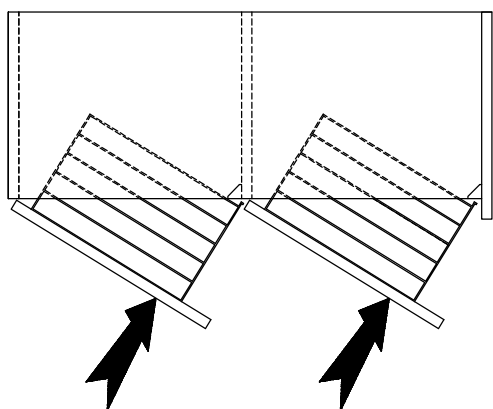
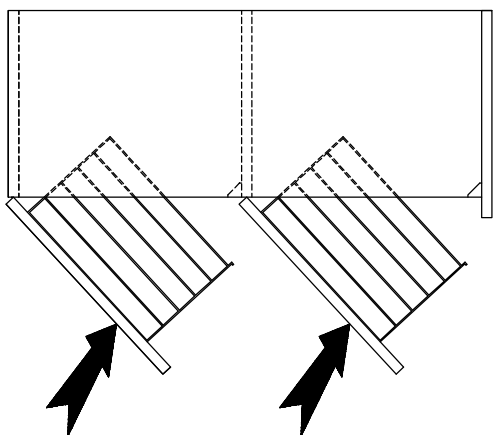
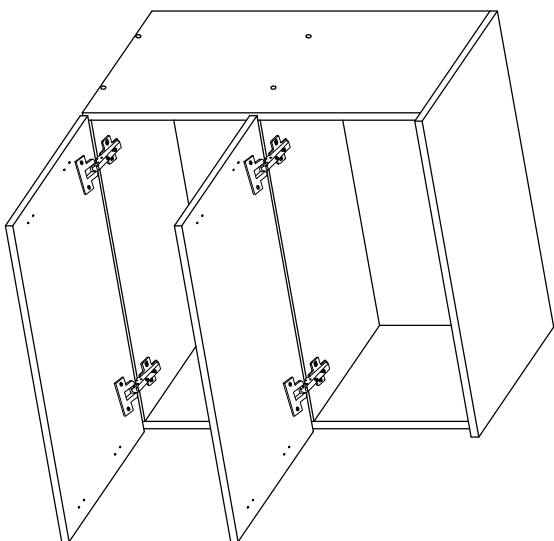
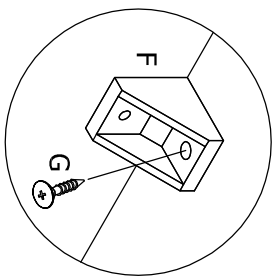
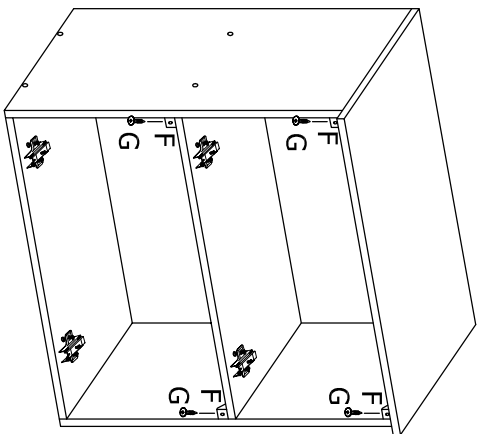
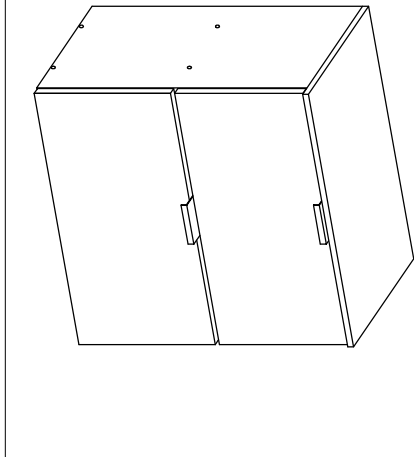


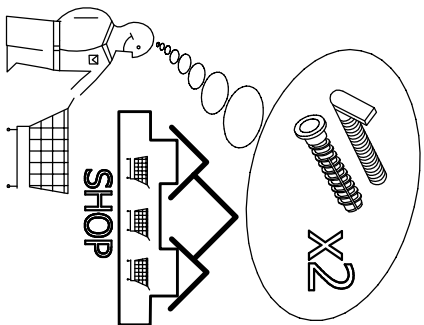
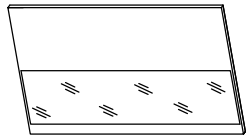
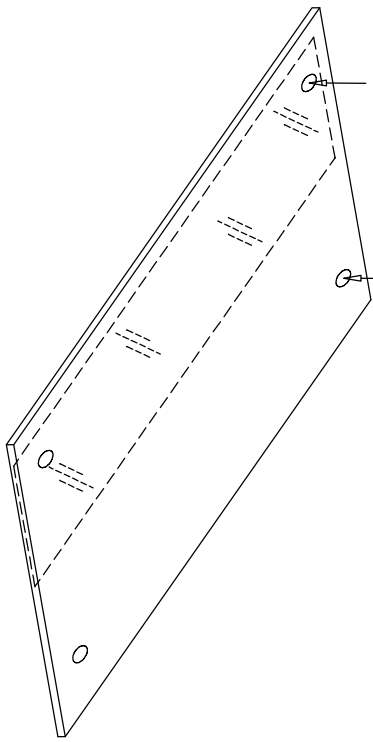
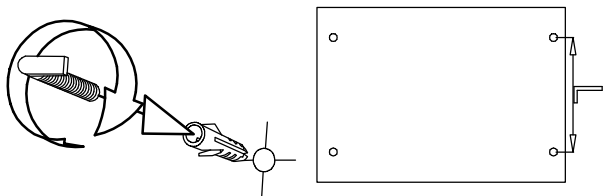
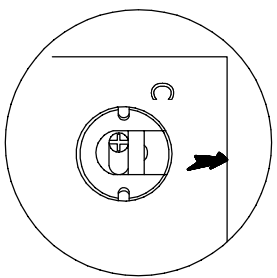
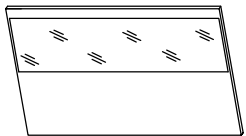
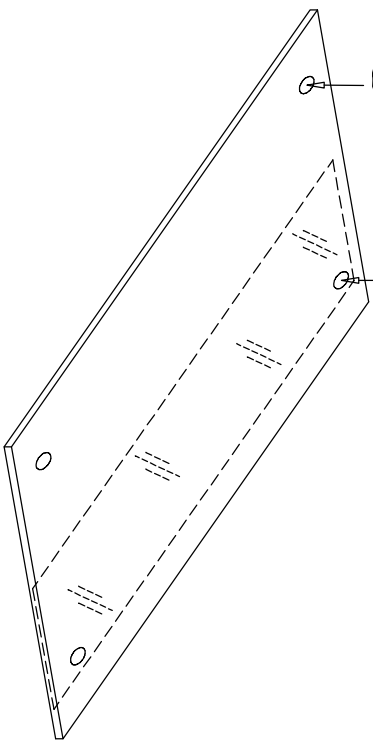
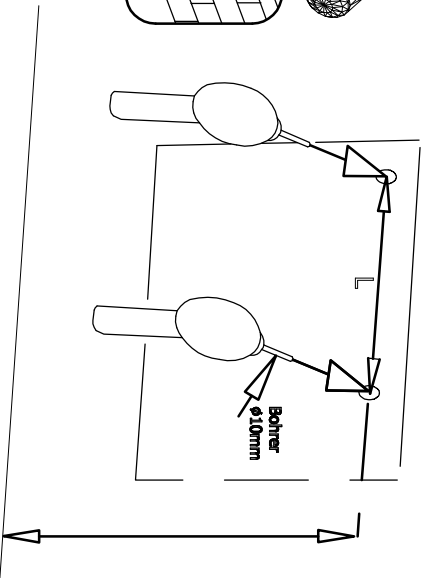
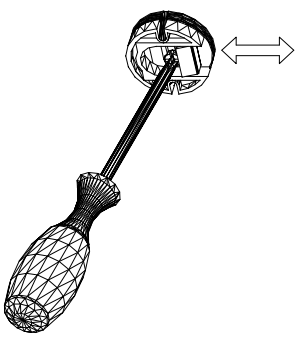
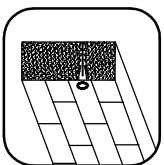
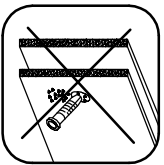
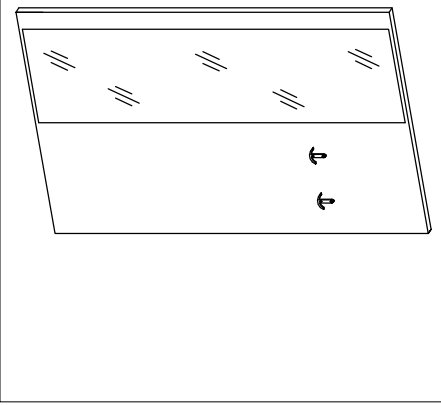
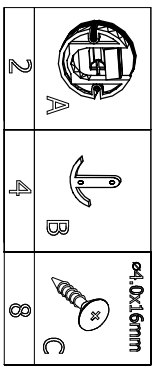
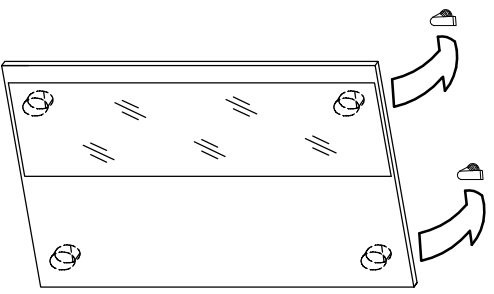
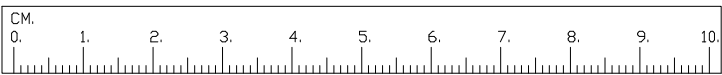


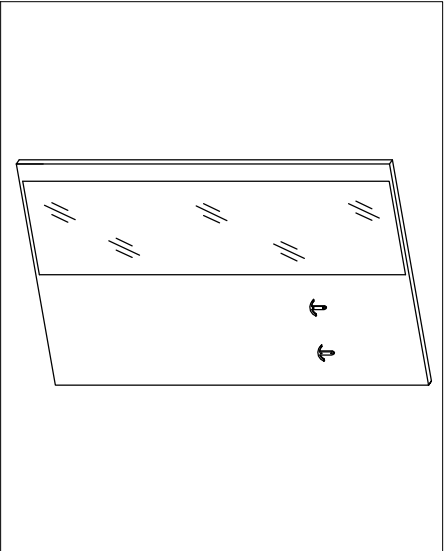
8	A	
12	B	
25-30	C	
4	D	
4	E	
8	F	
32	G	 [4.0x16mm]
4	H	 [4.0x30mm]
2	I	
2	J	
4	K	
1	L	





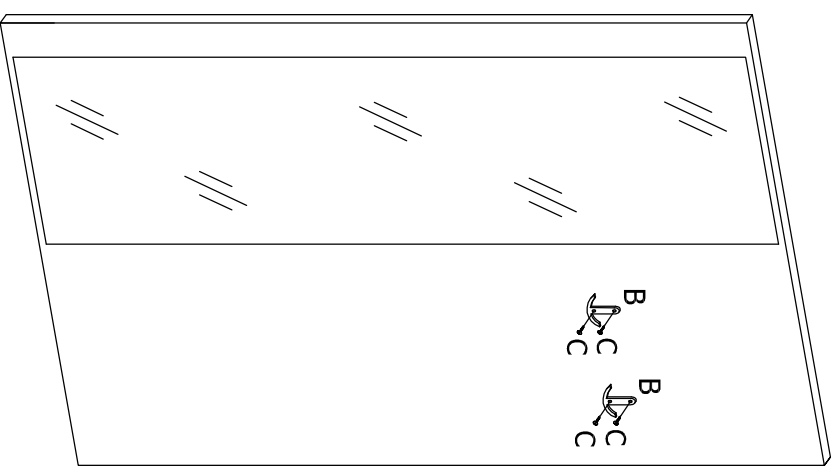
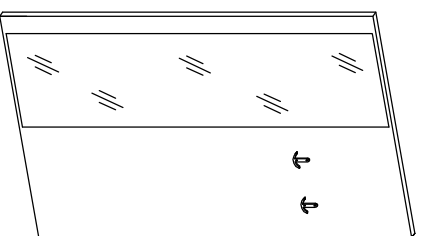
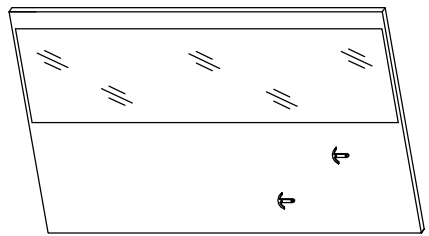




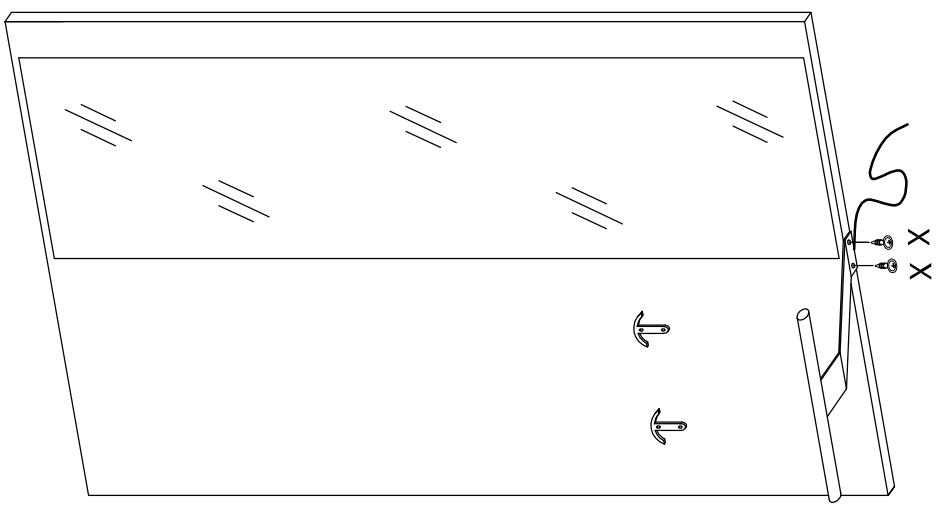





	$\varnothing 4,0 \times 16 \text{mm}$
B	
2	C
	4



LED



$\varnothing 3,0 \times 8 \text{mm}$	
X	
2	

