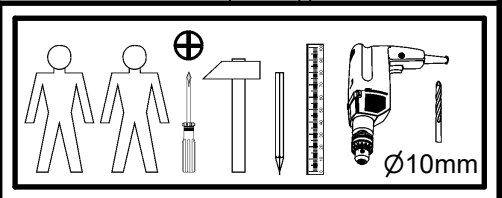
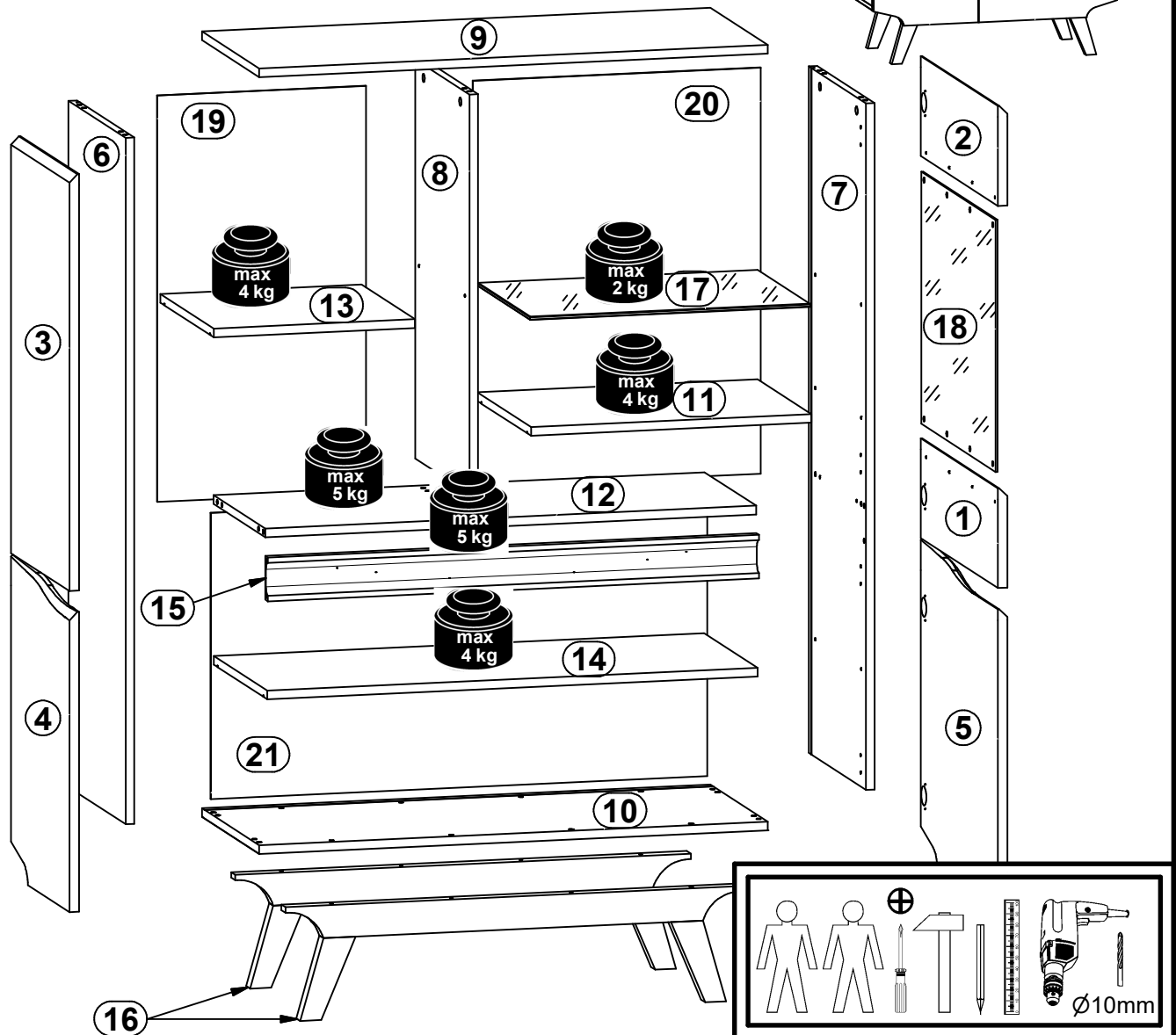
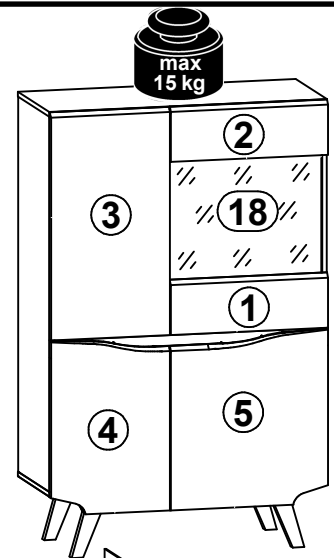


**A**

# MADISON

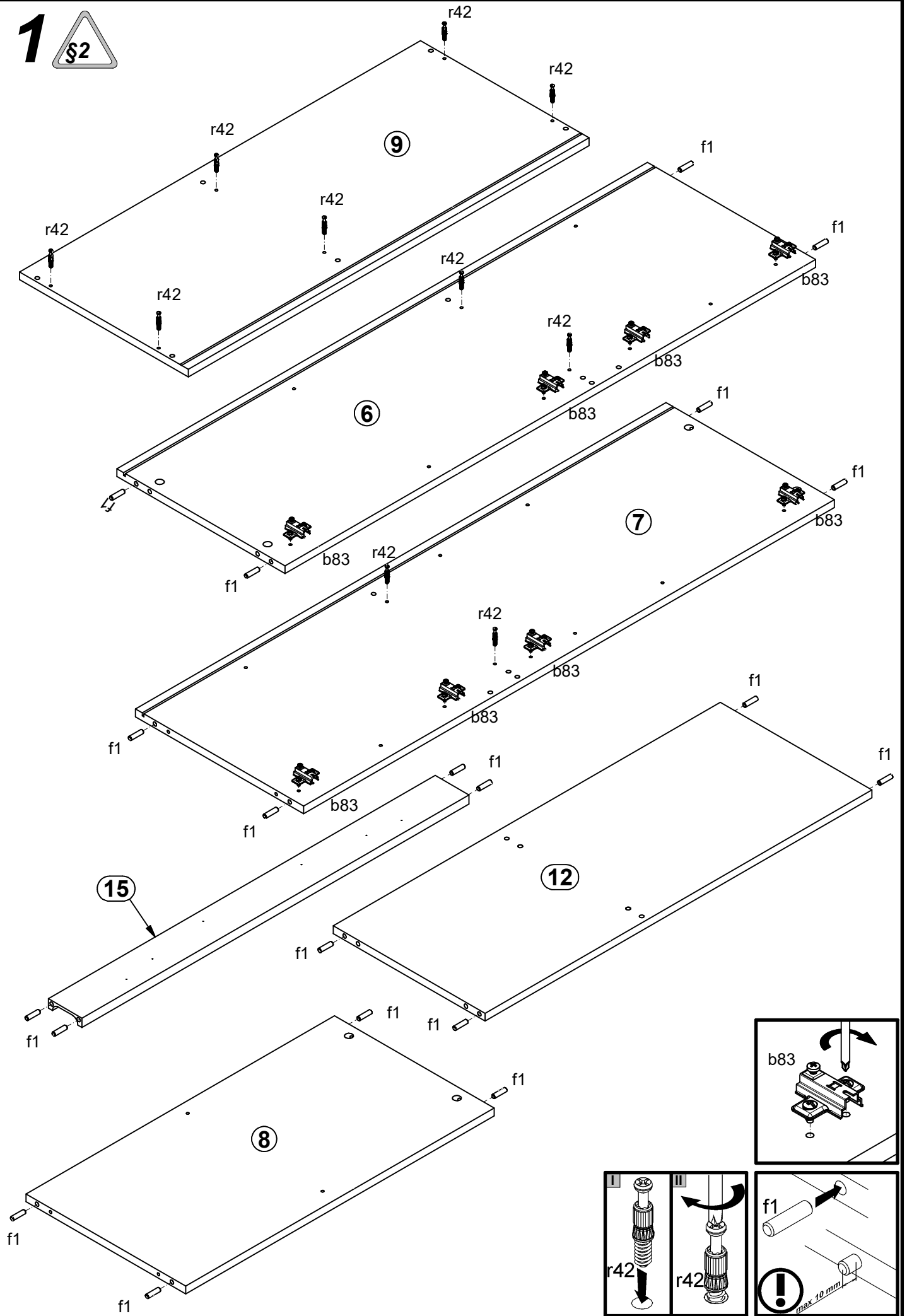
**S431-REG3D1W/150**

A	B	C	D	A	B	C	D		
1	S431-0014	538	183	3/3	12	S431-3005	918	360	2/3
2	S431-0020	538	183	3/3	13	S431-3006	376	373	1/3
3	S431-0022	408	764	3/3	14	S431-3007	917	373	1/3
4	S431-0023	408	586	3/3	15	S431-5004	918	80	2/3
5	S431-0024	538	586	3/3	16	S431-5006	852	210	2/3
6	S431-1017	1259	399	1/3	17	S431-5501	524	365	3/3
7	S431-1018	1259	399	1/3	18	S431-5502	519	462	3/3
8	S431-1019	732	379	1/3	19	S431-9007	745	390	3/3
9	S431-2003	951	400	2/3	20	S431-9008	745	538	3/3
10	S431-2004	951	400	2/3	21	S431-9013	525	928	3/3
11	S431-3002	524	373	1/3					

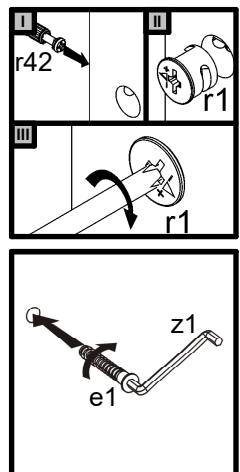
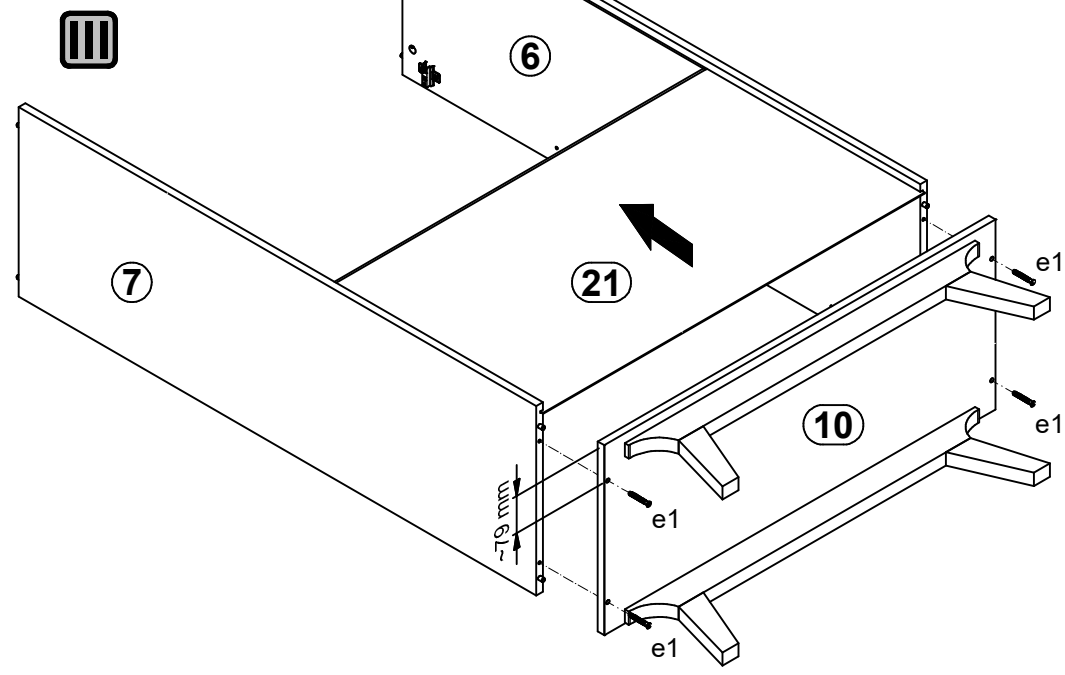
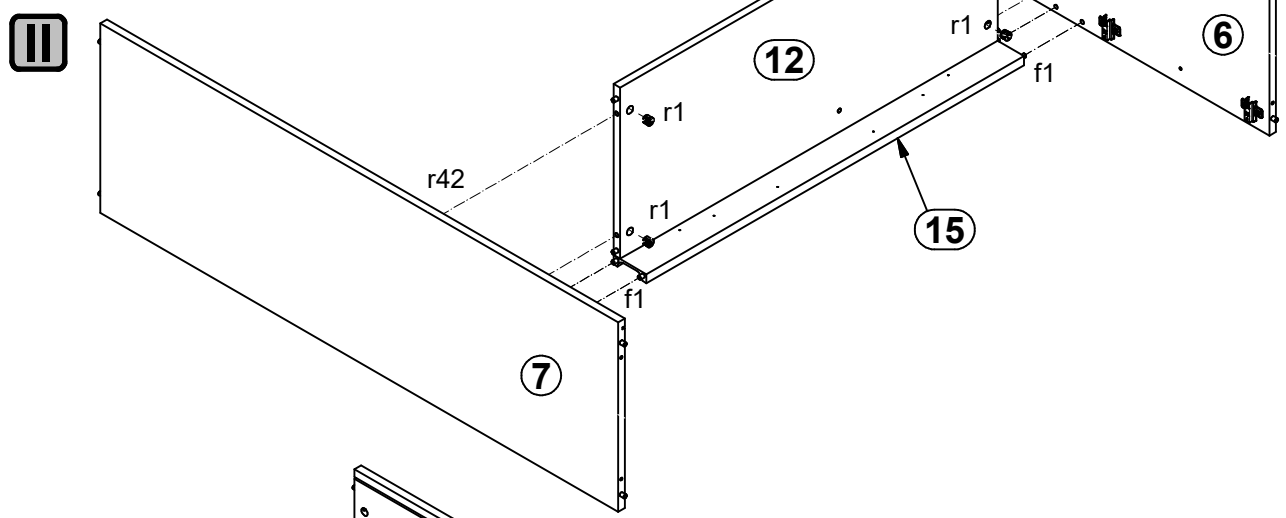
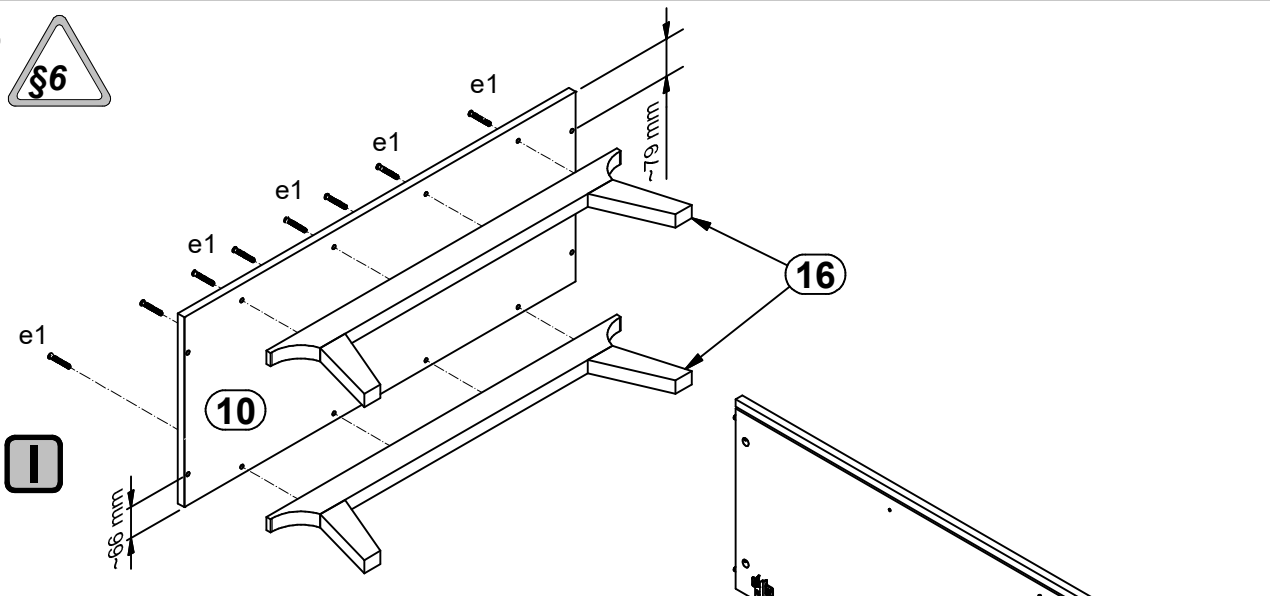


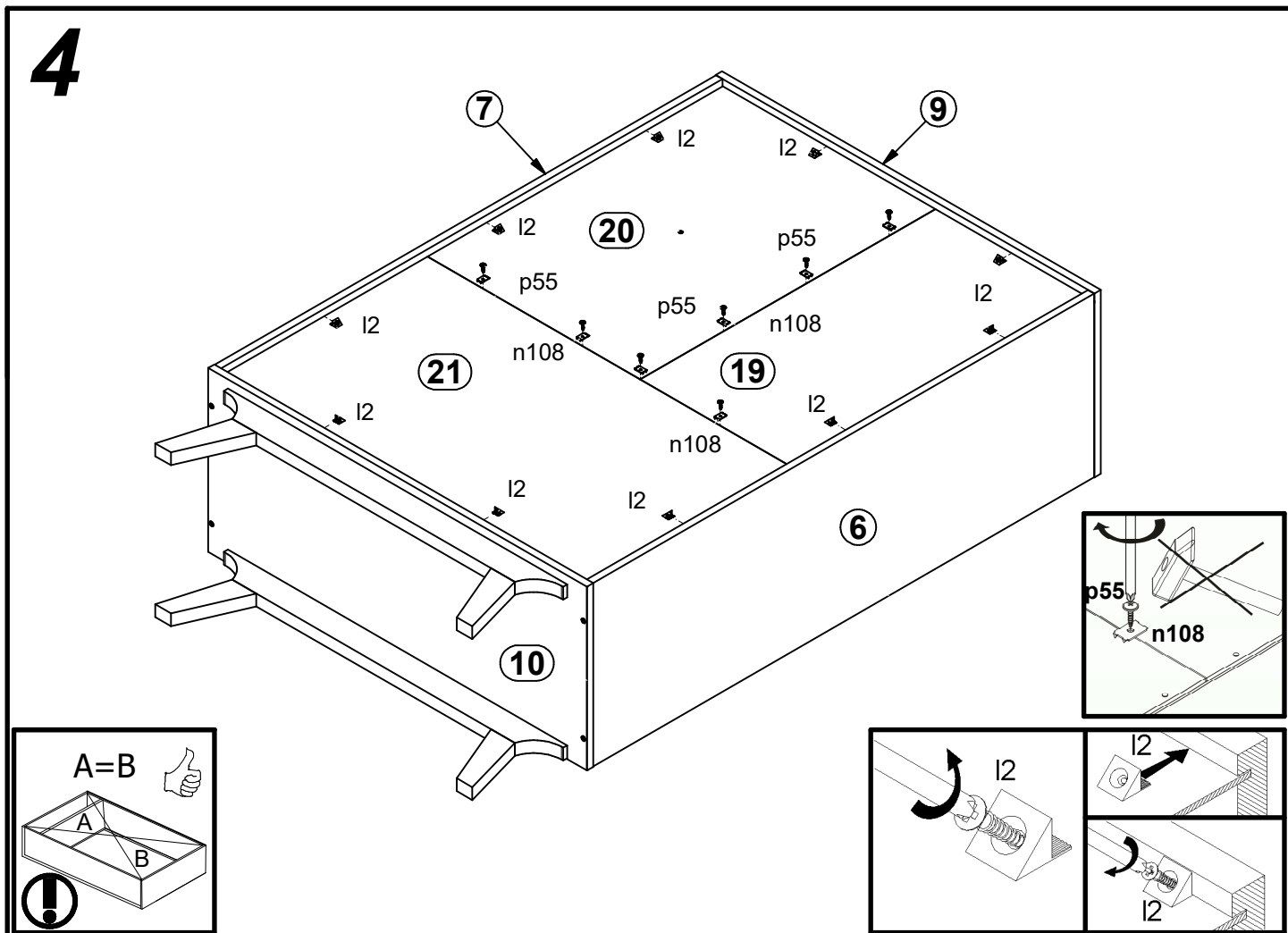
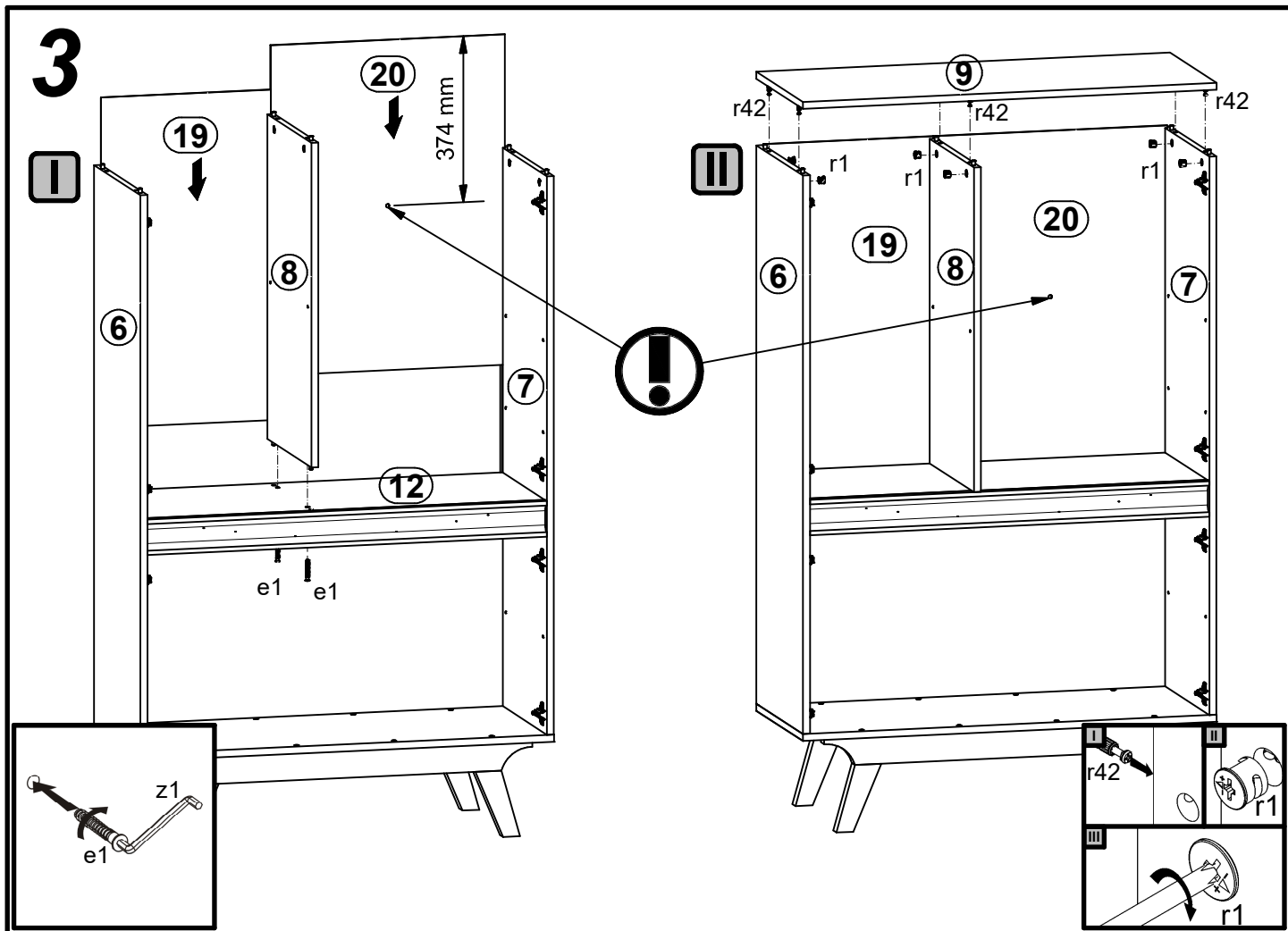
4x  a133	8x  a158	8x  b83	12x  d1	4x  d3	14x  e1	8x  e47	20x  f1	10x  i2
7x  n108	1x  o43l8	8x  o54	1x  o70	16x  p51	7x  p55	10x  r1	10x  r42	8x  s59
6x  s68	1x  z1							
						1x  n26l1	1x  p38	

1 §2

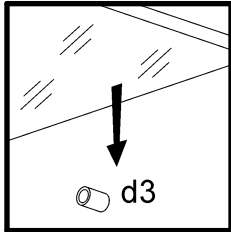
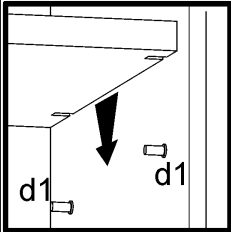
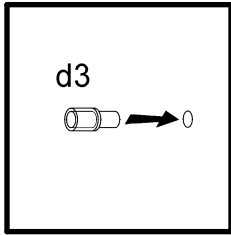
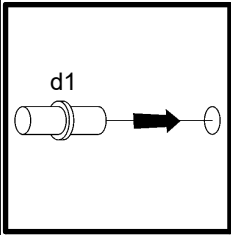
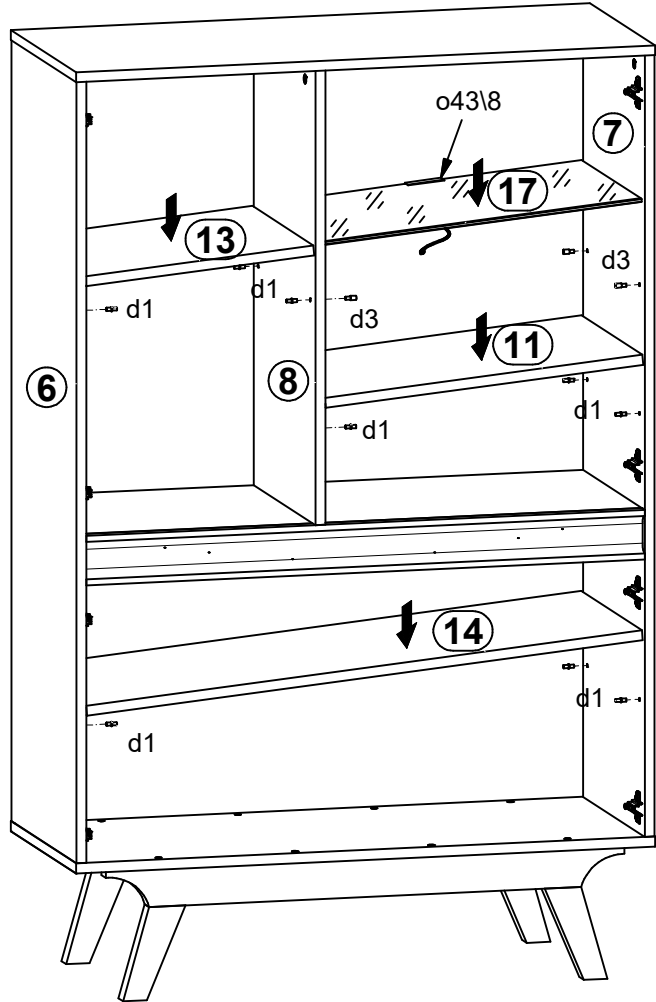
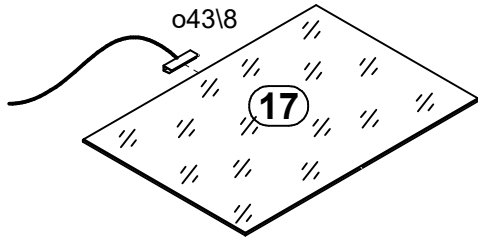
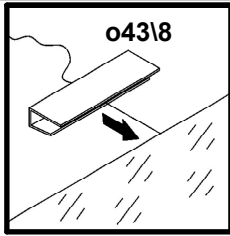


2 

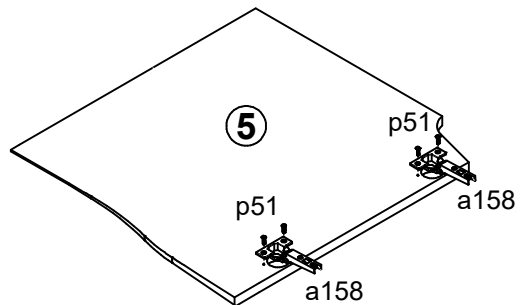
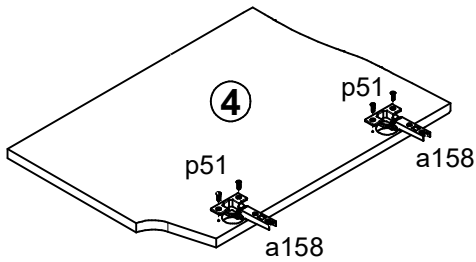
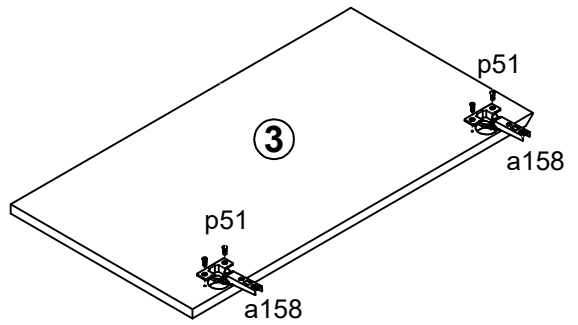
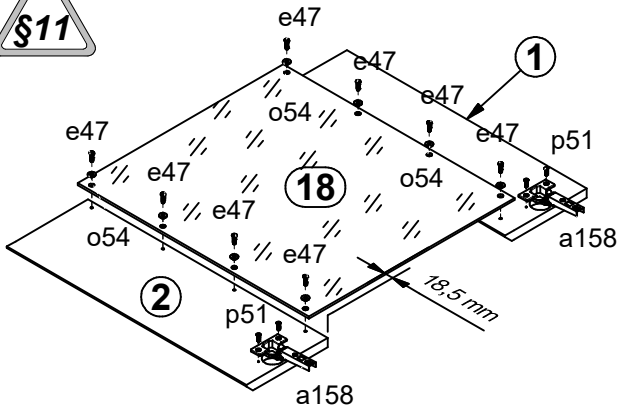




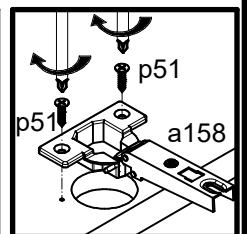
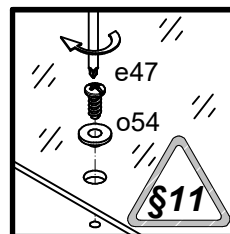
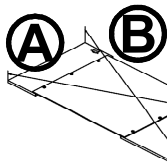
**5** §11



**6** §11



**A=B**



# 7

