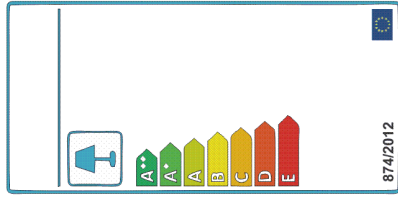
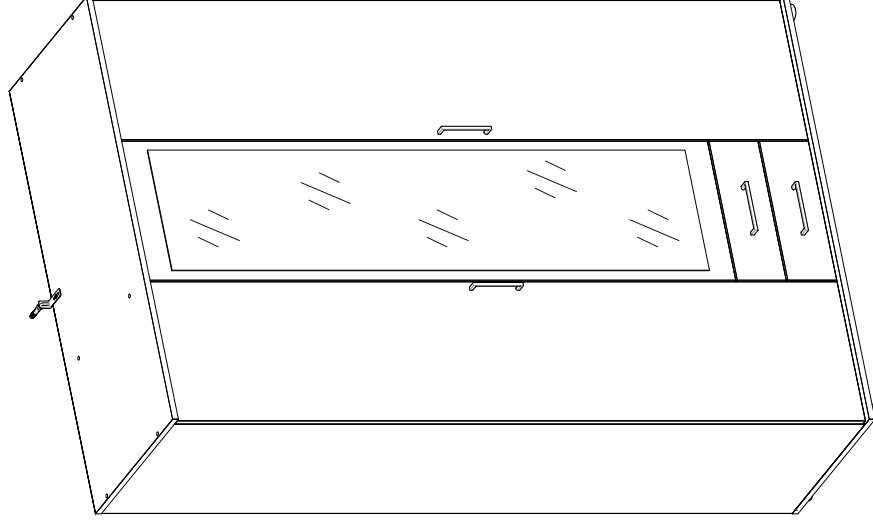


<http://www.bega-gruppe.de>



- | | |
|----|----------------|
| BG | Bulgarisch |
| CS | Tschechisch |
| DA | Dänisch |
| DE | Deutsch |
| ET | Eströisch |
| EL | Griechisch |
| EN | English |
| ES | Spanisch |
| FR | Französisch |
| FI | Finnisch |
| HR | Kroatisch |
| HU | Ungarisch |
| IT | Italienisch |
| LV | Lettisch |
| LT | Litauisch |
| NL | Niederländisch |
| PL | Polnisch |
| PT | Portugiesisch |
| RO | Rumänisch |
| SK | Slowakisch |
| SL | Slowenisch |
| SV | Schwedisch |

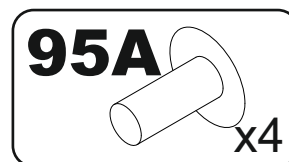
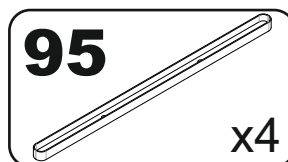
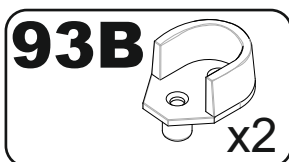
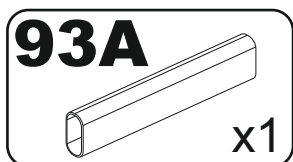
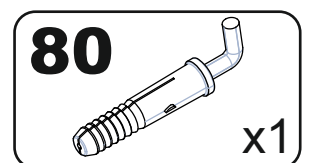
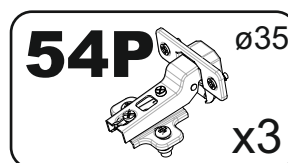
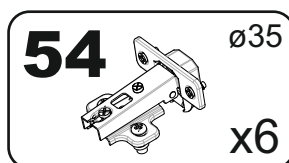
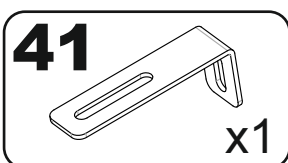
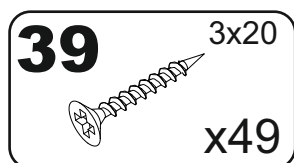
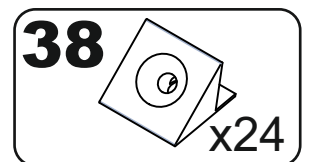
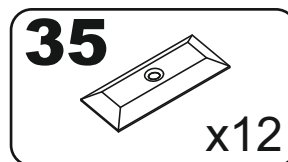
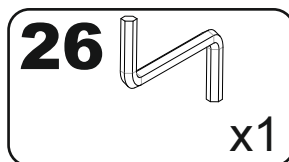
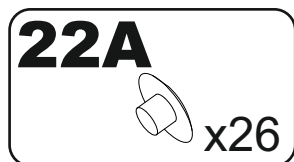
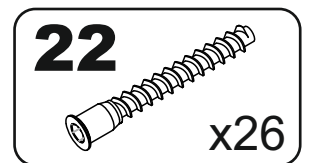
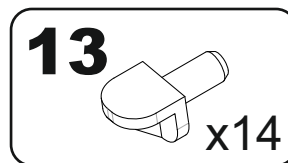
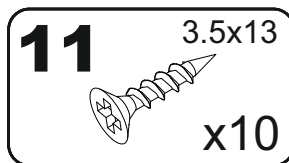
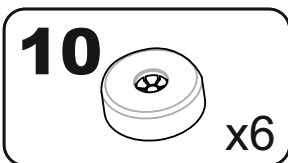
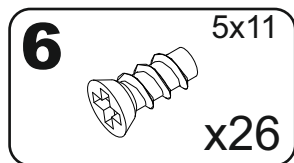
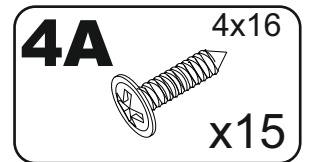
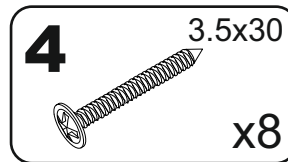
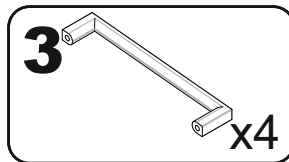
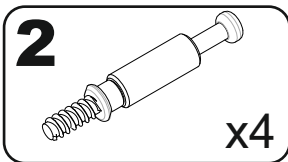
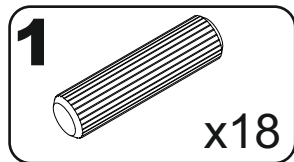
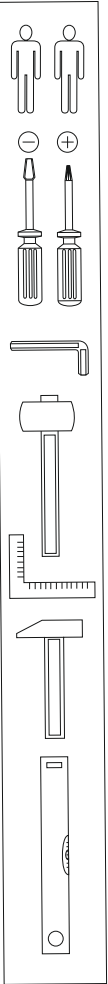
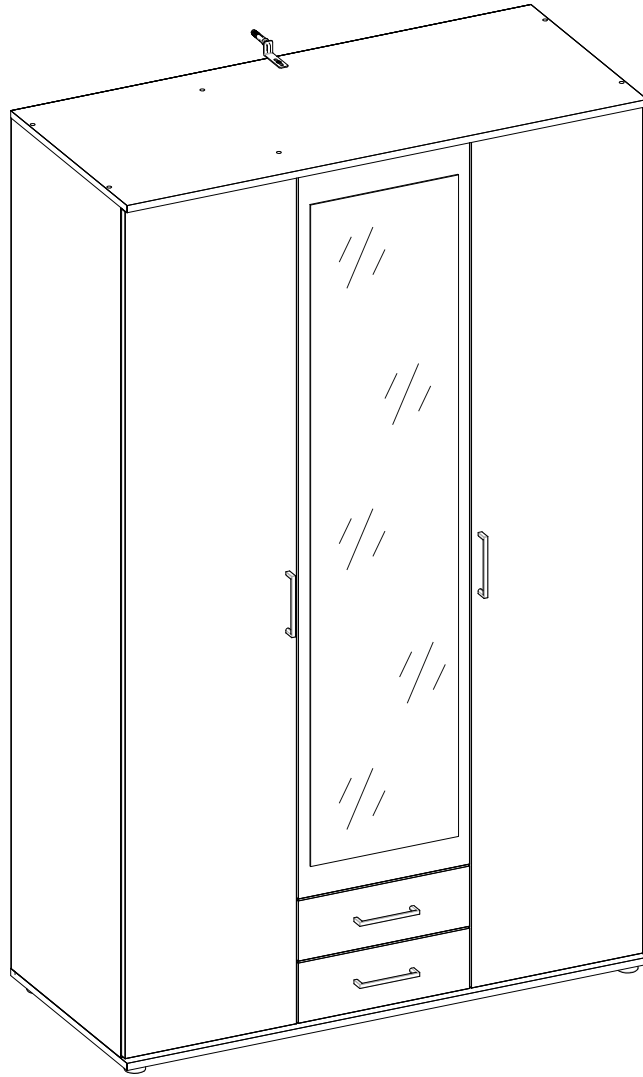


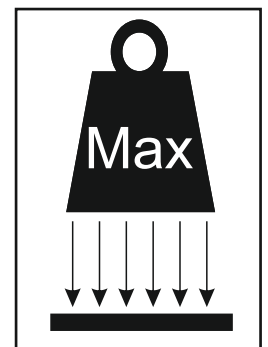
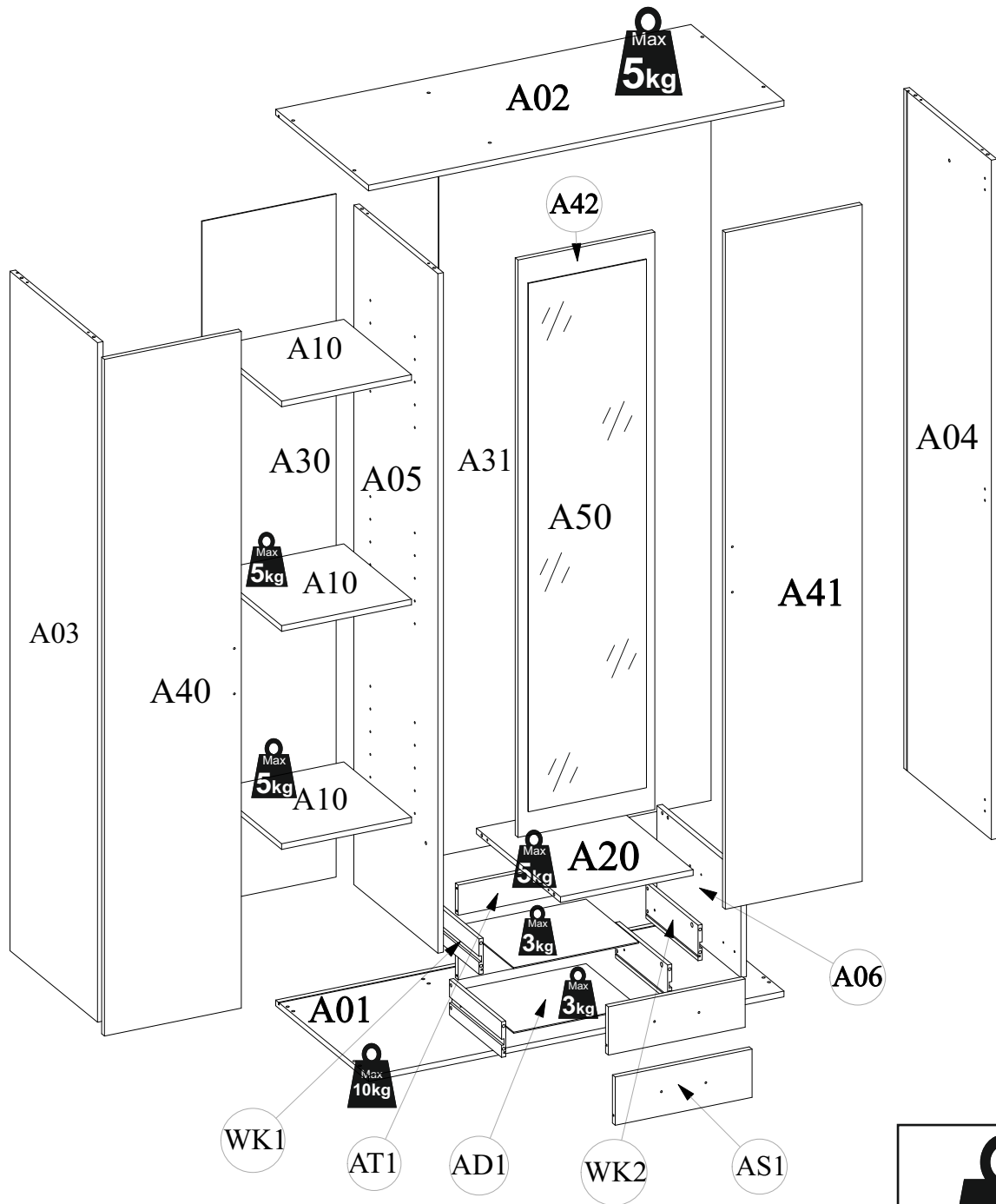
120 min



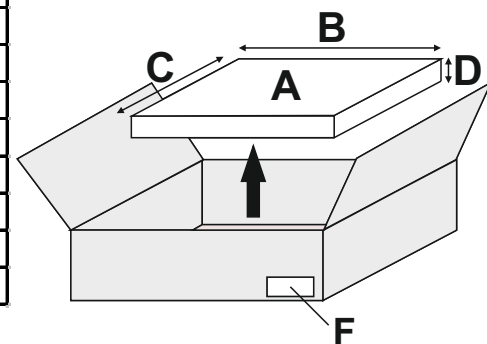
The diagram illustrates the assembly process in several stages:

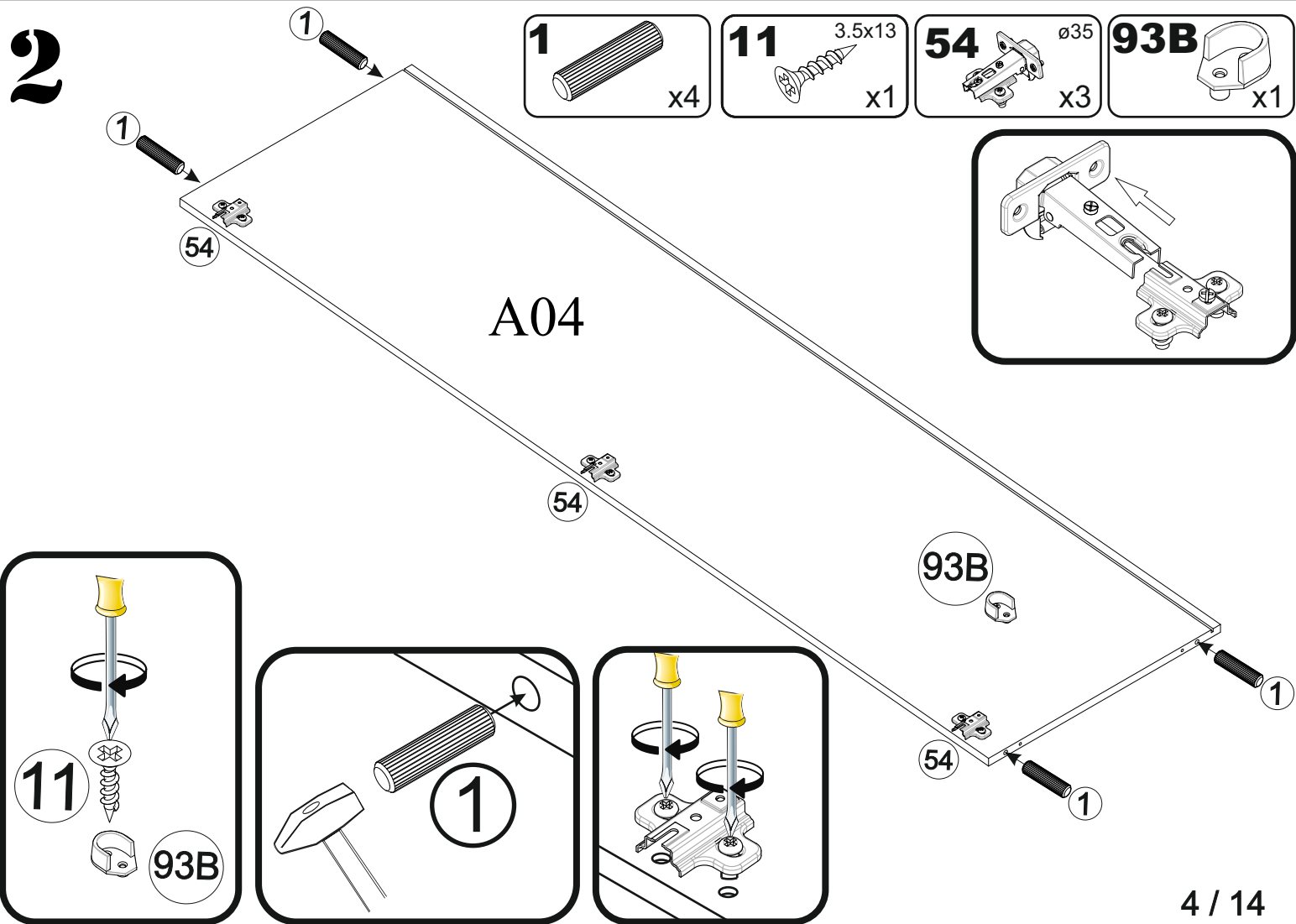
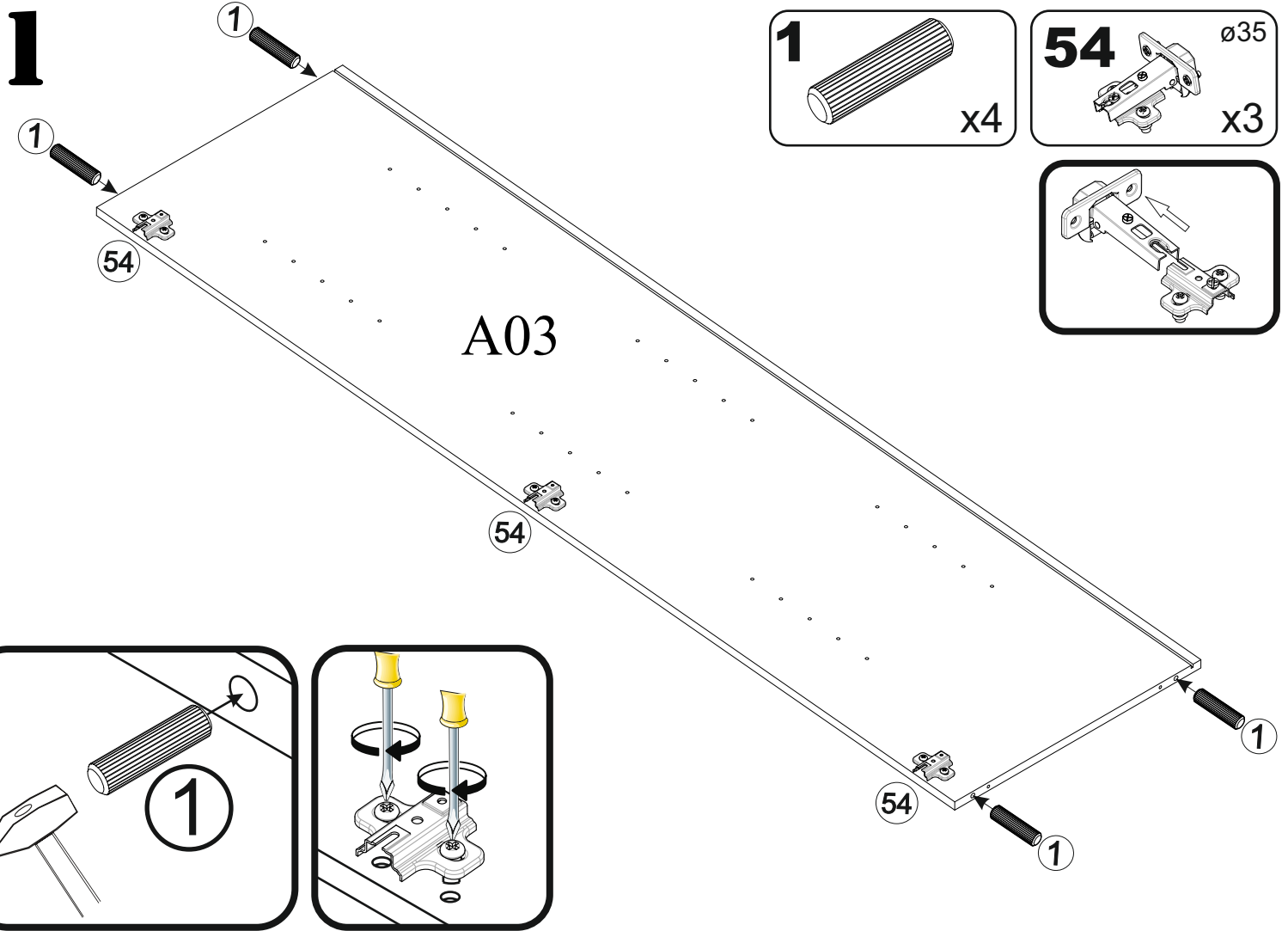
- Unboxing:** Shows the wardrobe being opened and the contents being laid out. A warning icon indicates that the user should not touch the sharp edges.
- Preparation:** Shows the user removing the top panel and preparing the side panels. A warning icon indicates that the user should not touch the sharp edges.
- Assembly:** Shows the user attaching the side panels to the top panel. A warning icon indicates that the user should not touch the sharp edges.
- Final Assembly:** Shows the user attaching the bottom panel and the drawers. A warning icon indicates that the user should not touch the sharp edges.
- Tools:** Lists the tools required for assembly: a hammer, a pencil, a screwdriver, a drill, and a sewing machine. A warning icon indicates that the user should not touch the sharp edges.
- Warnings:** Includes a warning icon for sharp edges and a warning icon for the sewing machine.



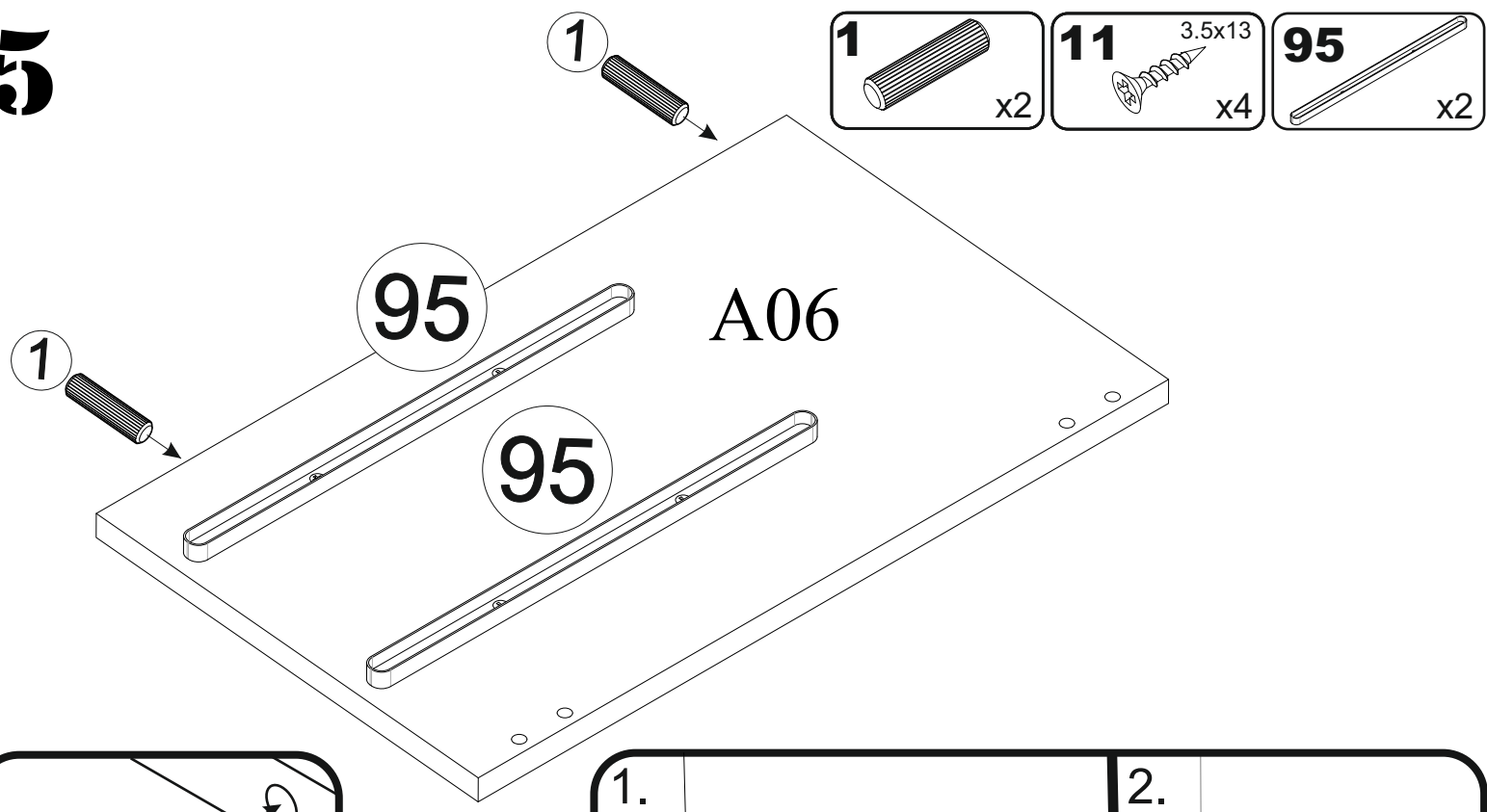


A	B (mm)	C (mm)	D (mm)	E	F
A01	1196	535	16	1	1 2
A02	1196	535	16	1	1 2
A03	1916	504	16	1	1 2
A04	1916	504	16	1	1 2
A05	1916	484	16	1	1 2
A06	292	484	16	1	1 2
A10	374	390	16	3	2 2
A20	382	484	16	1	1 2
A30	1926	386	3	1	2 2
A31	1926	784	3	1	2 2
A40	1908	394	16	2	2 2
A42	1628	394	16	1	2 2
A50	1490	340	3	1	2 2
AD1	360	303	3	2	2 2
AS1	394	136	16	2	2 2
AT1	350	85	16	2	2 2
WK1	300	100	12	2	2 2
WK2	300	100	12	2	2 2





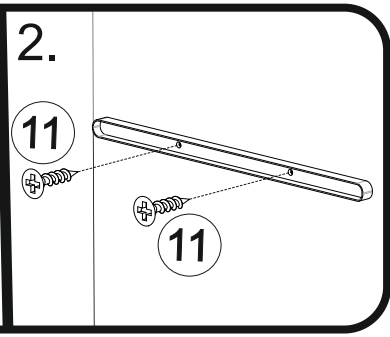
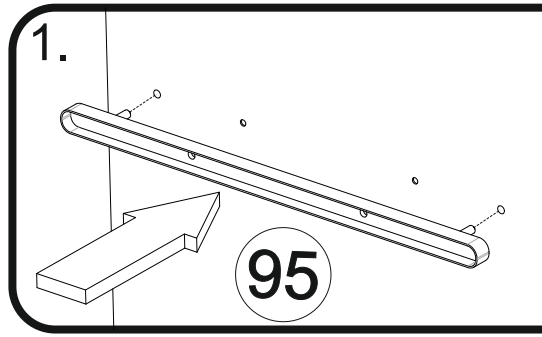
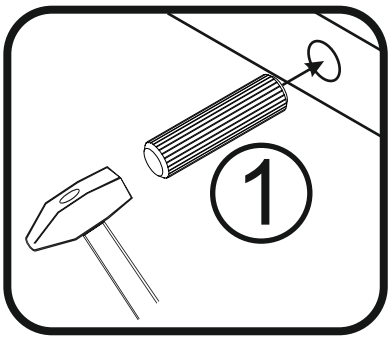
5



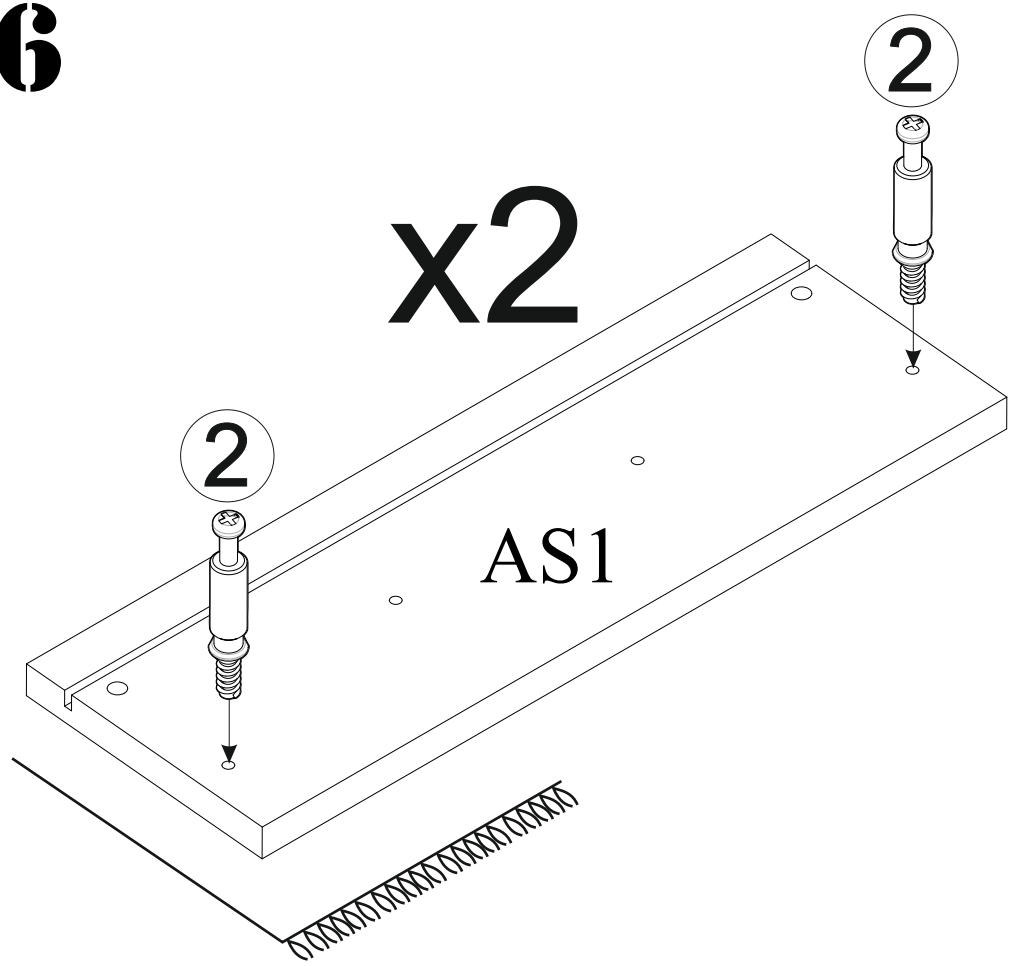
1 x2

11 3.5x13 x4

95 x2

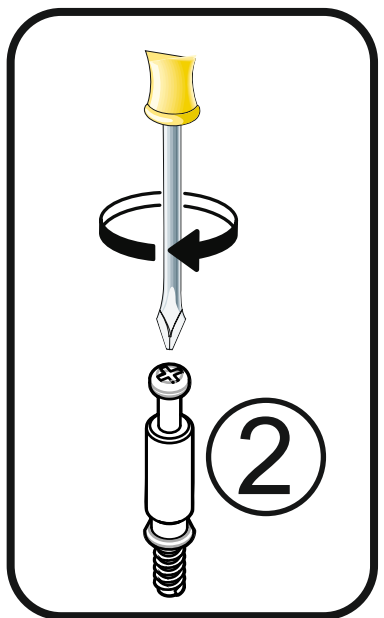


6

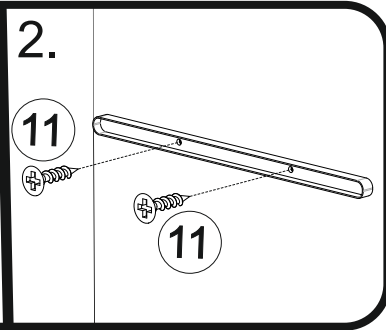
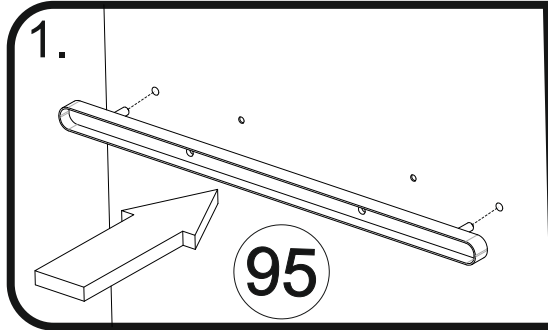
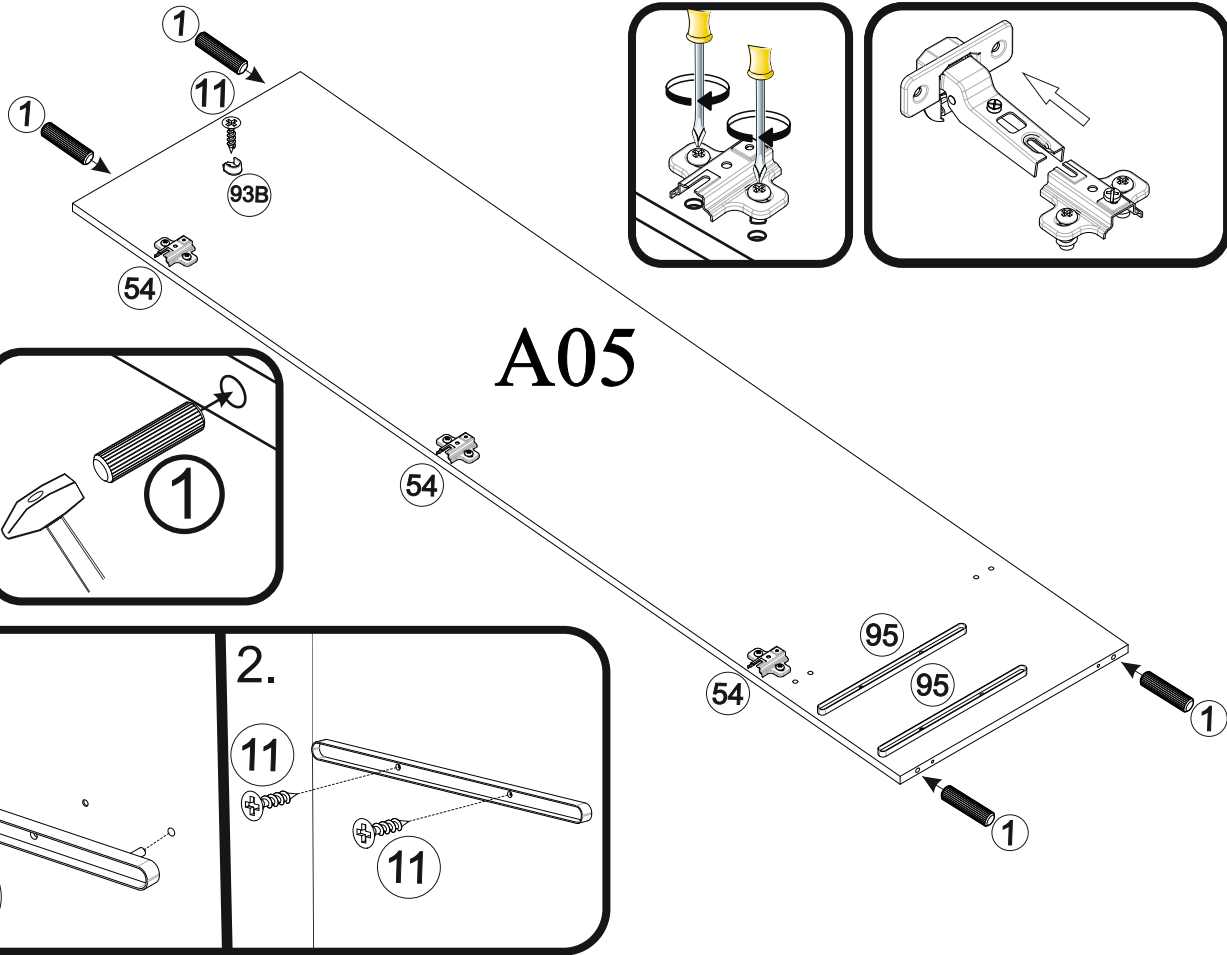
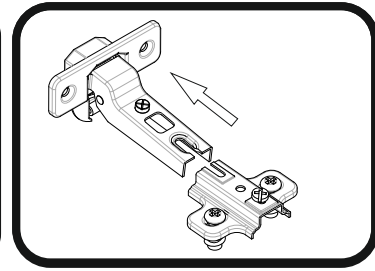
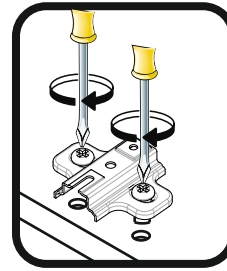
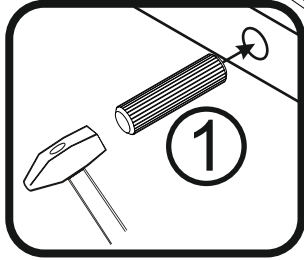
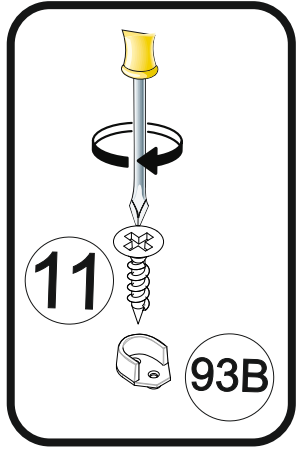
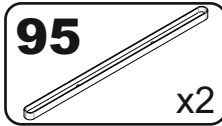
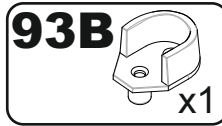
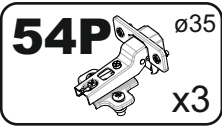
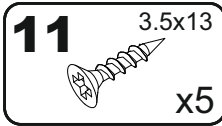
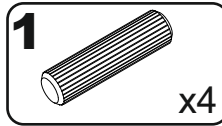


x2

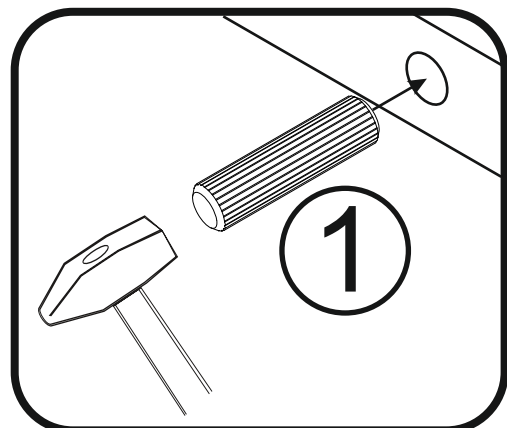
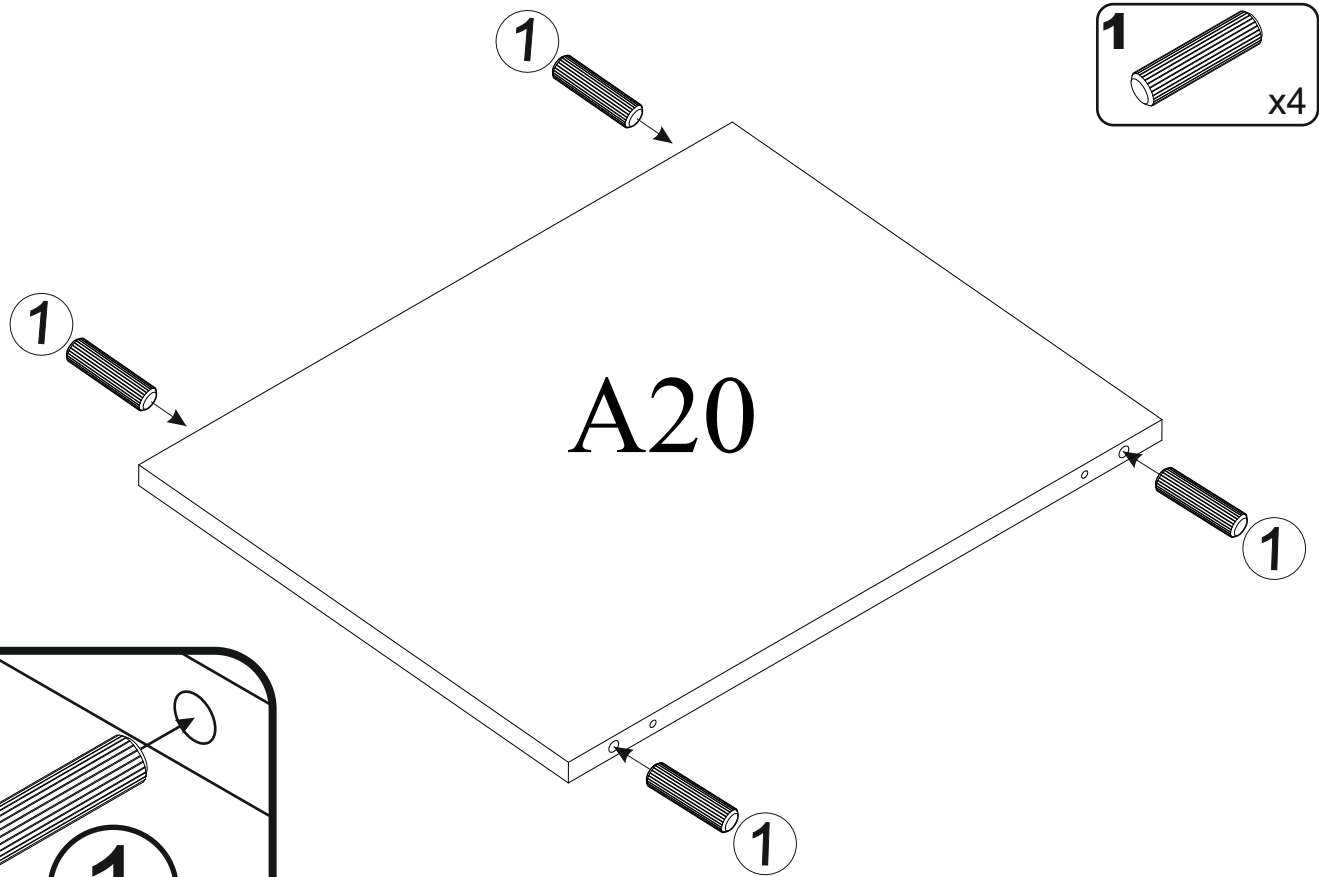
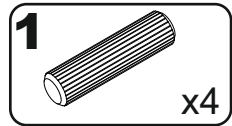
2 x4



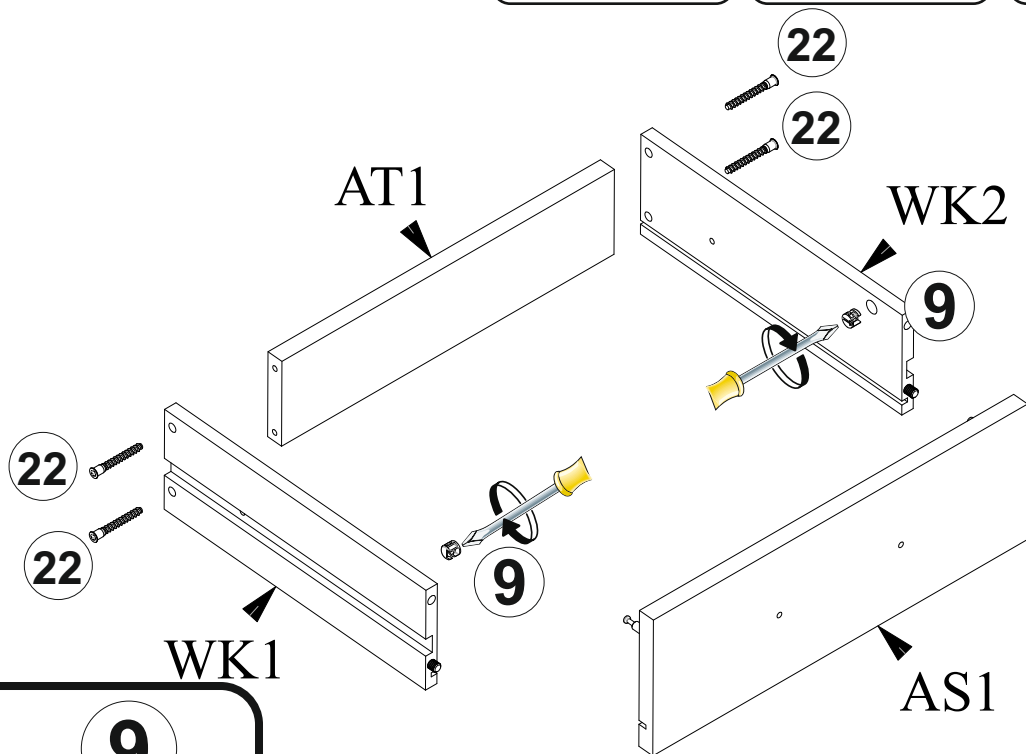
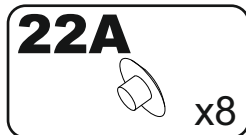
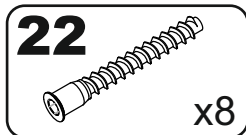
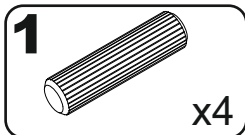
3



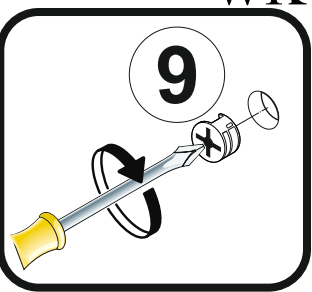
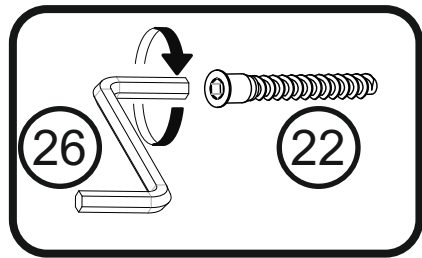
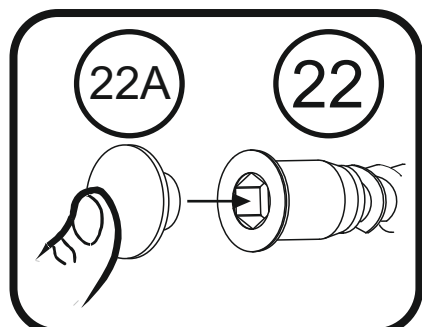
4



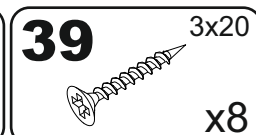
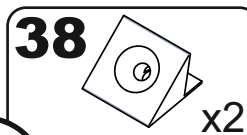
7



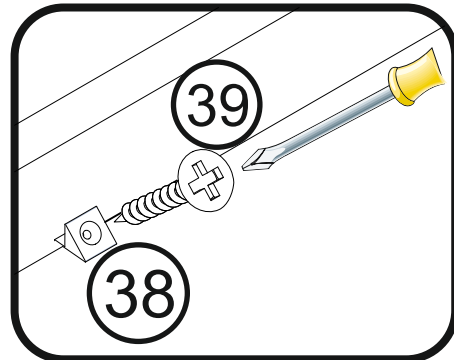
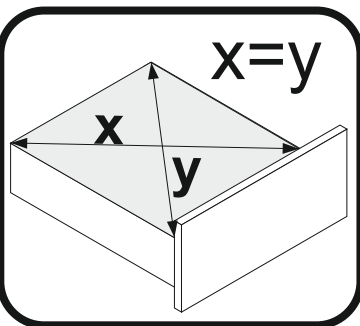
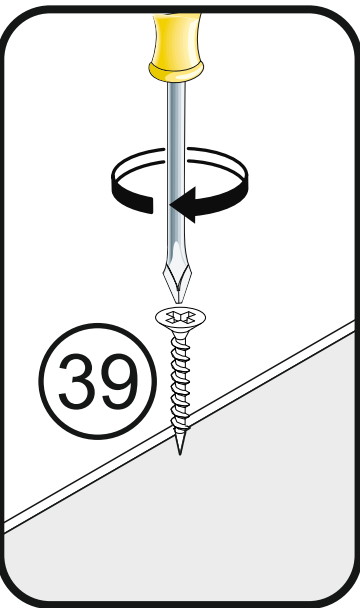
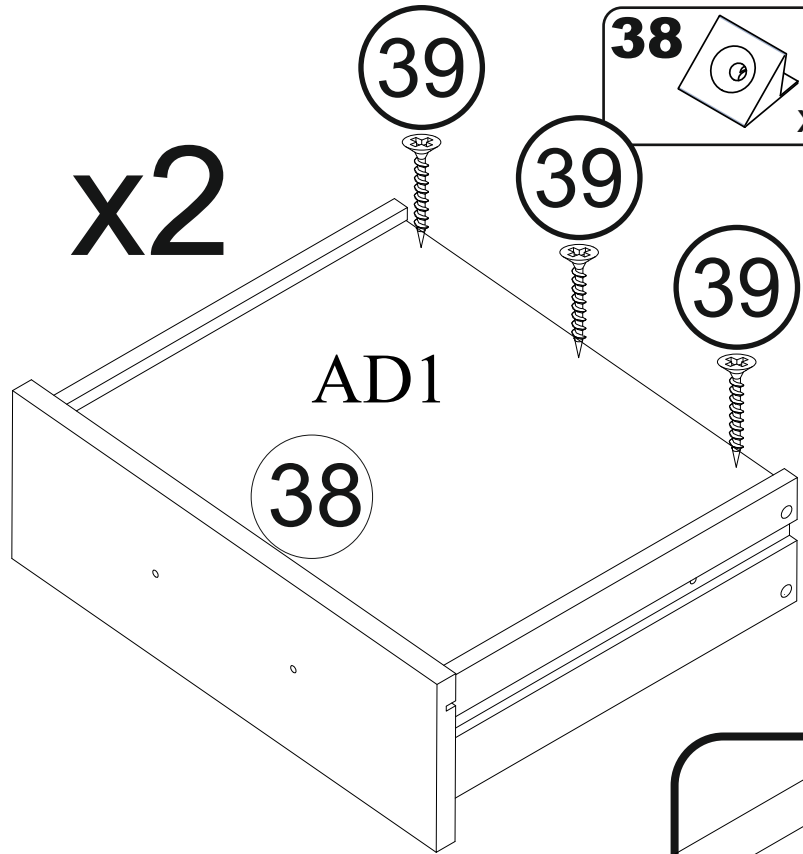
x2



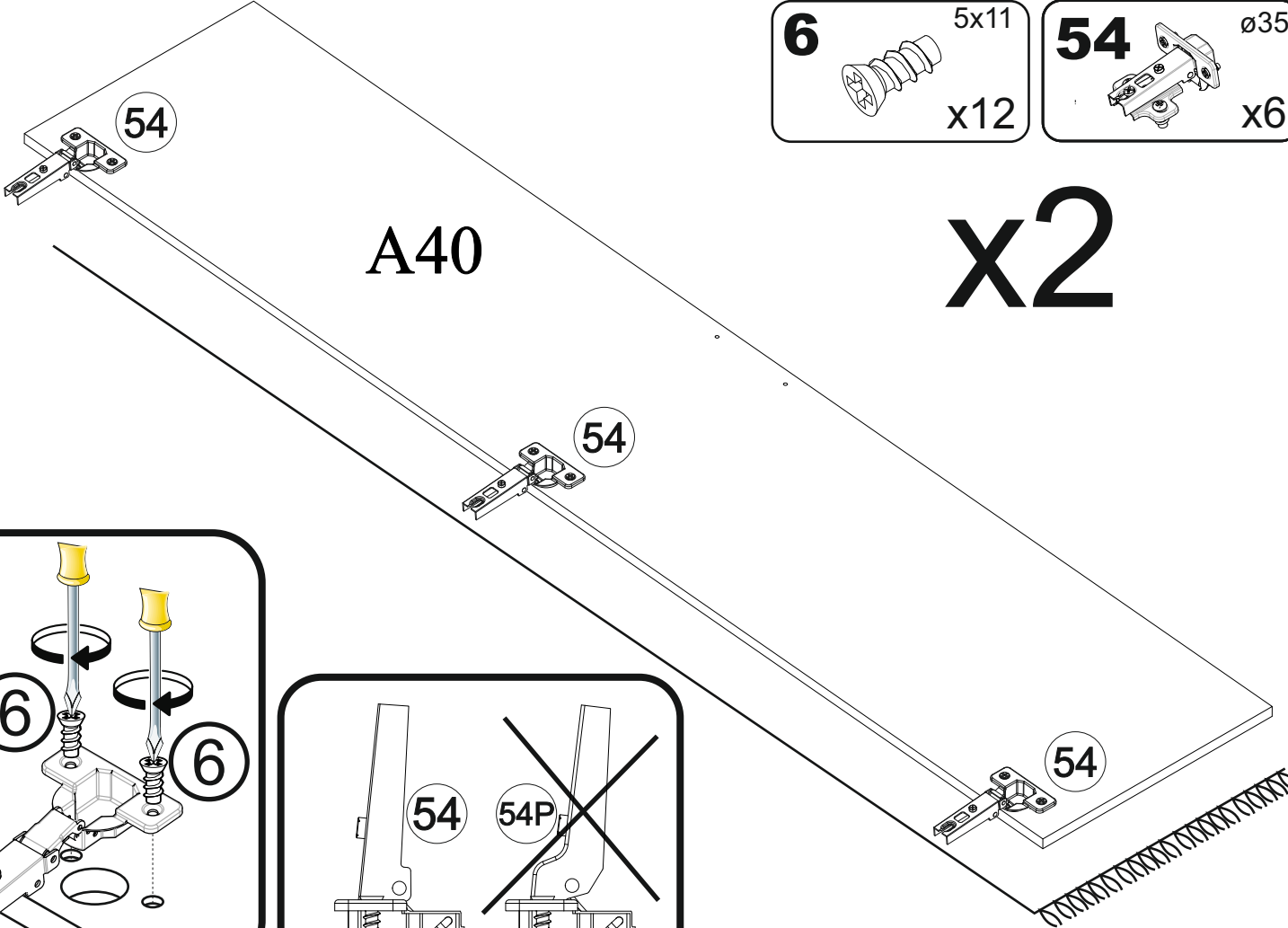
8



x2

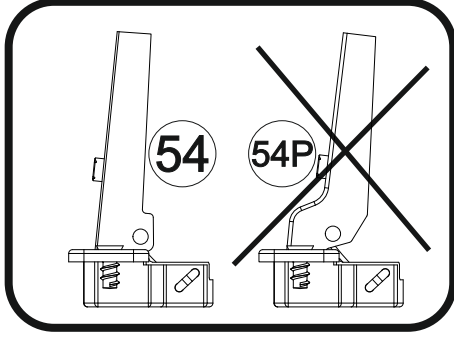
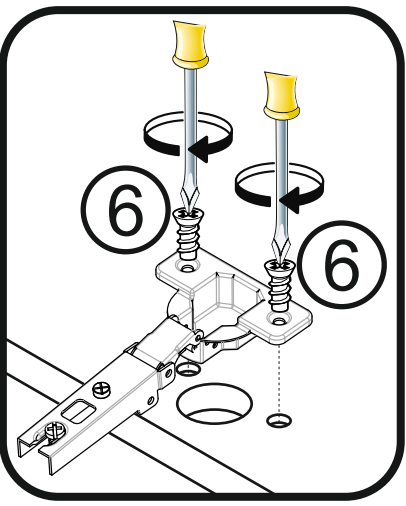


9

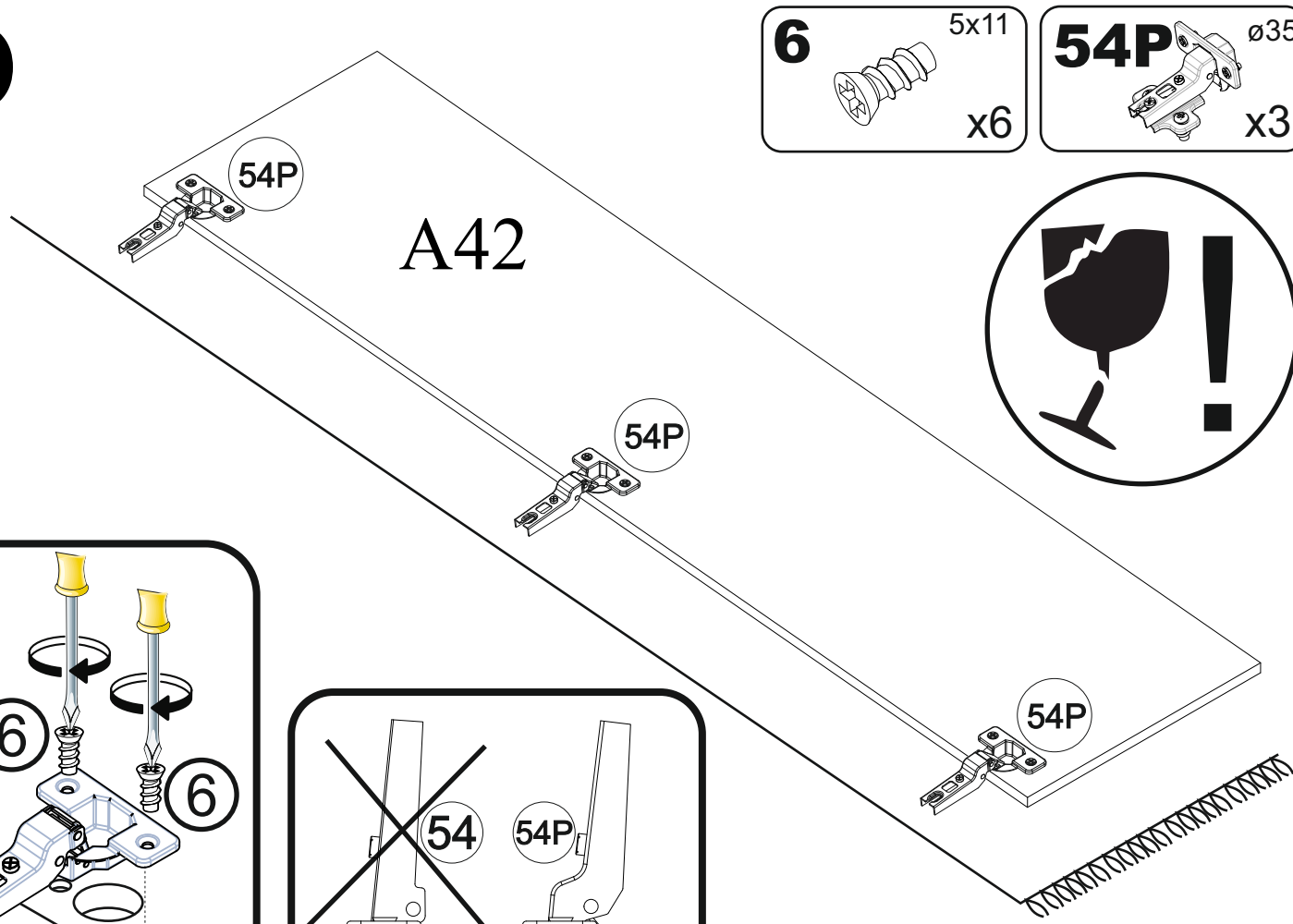


6 5x11
x12

54 ø35
x6

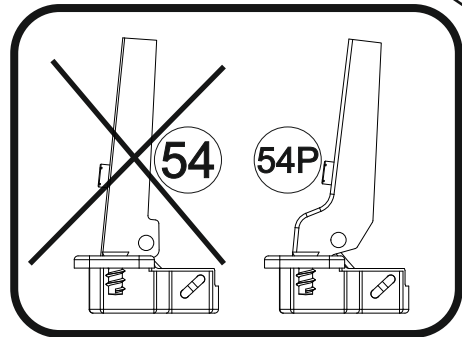
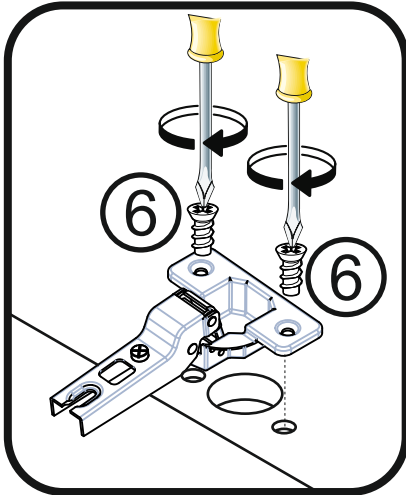


10

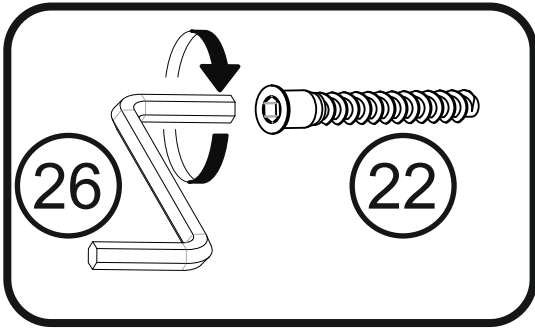
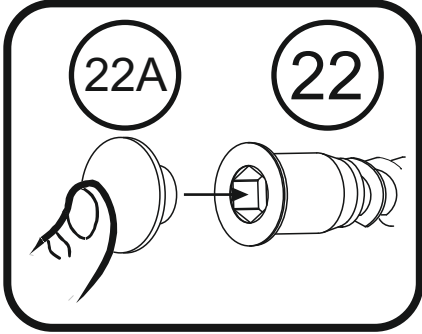
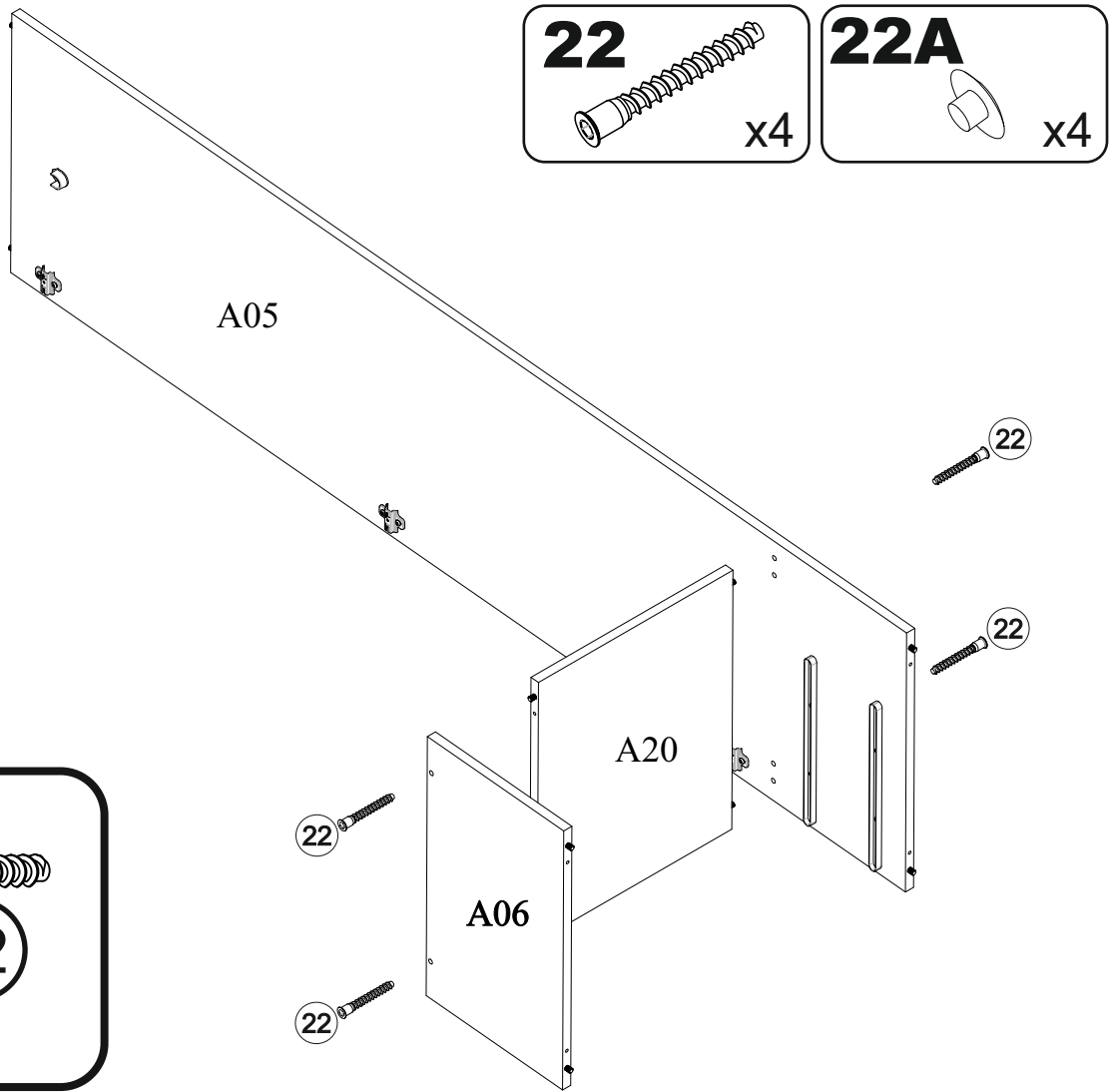


6 5x11
x6

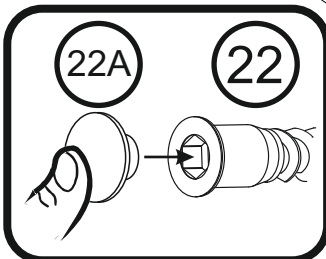
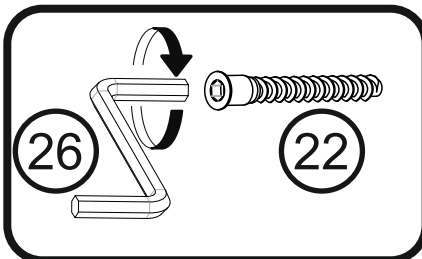
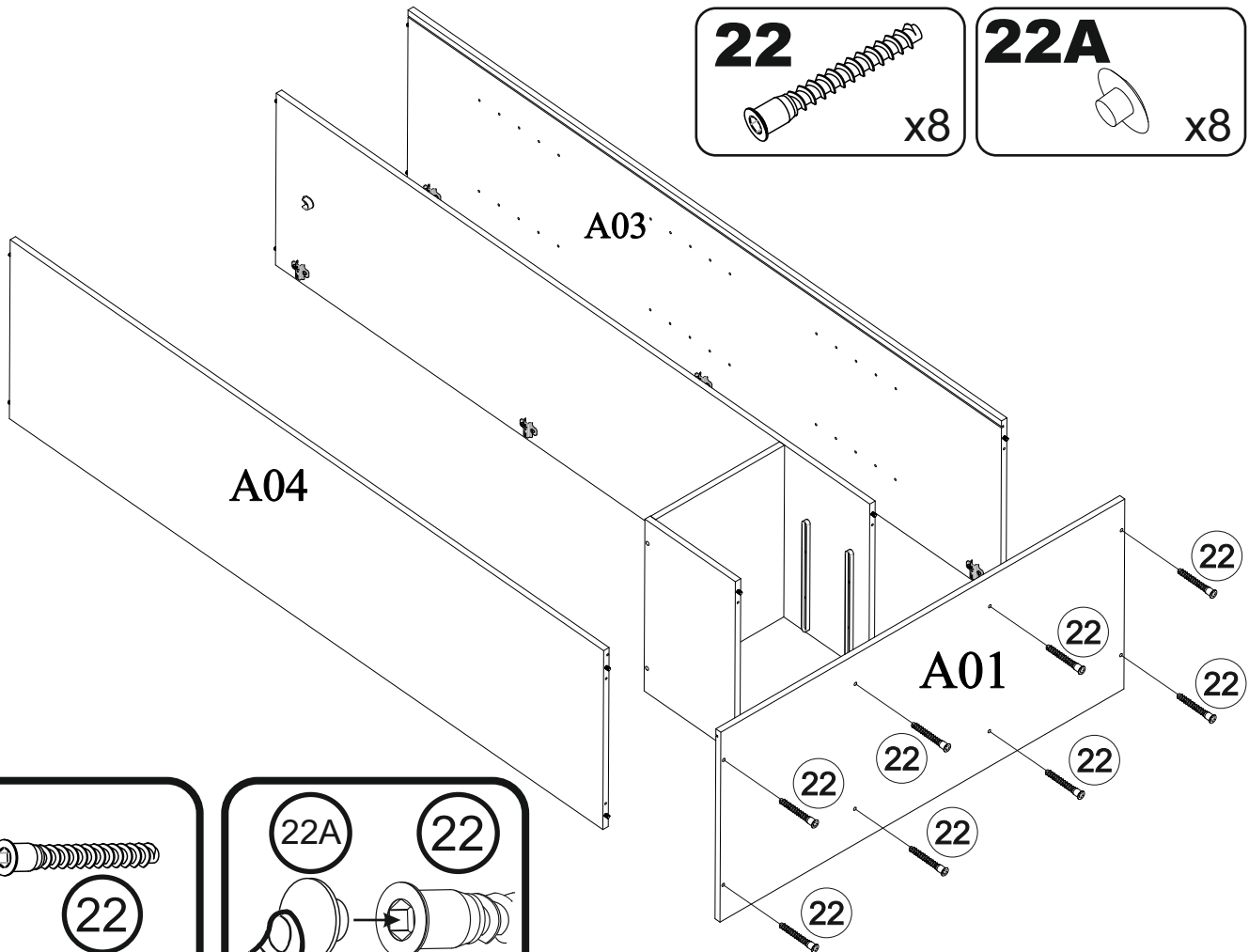
54P ø35
x3



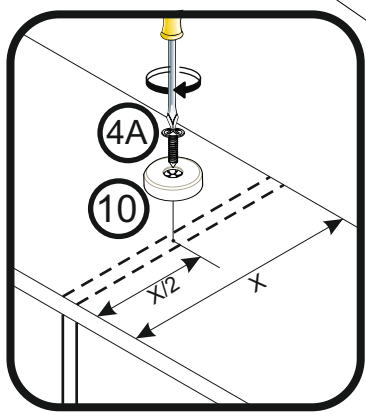
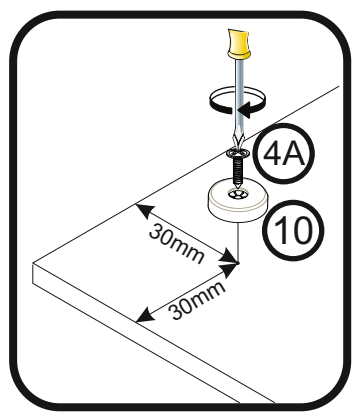
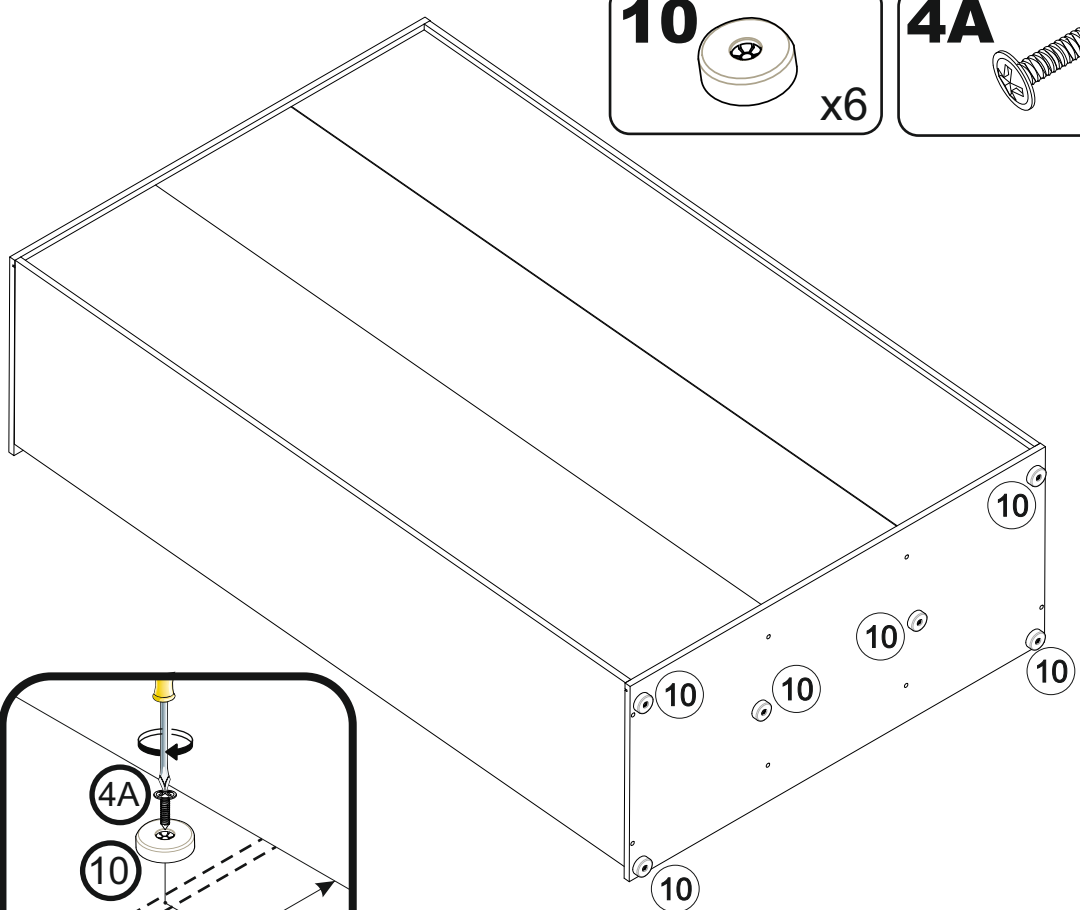
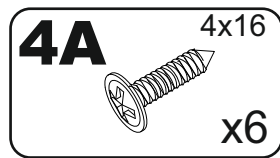
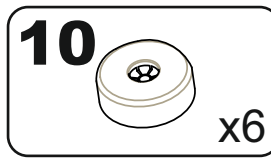
11



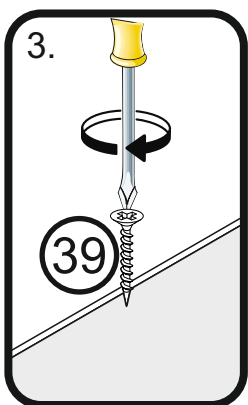
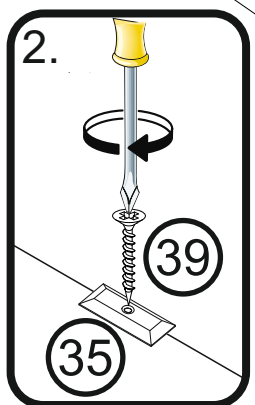
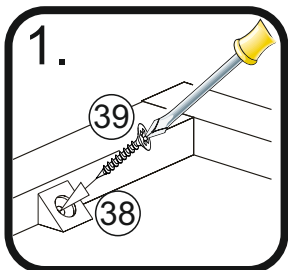
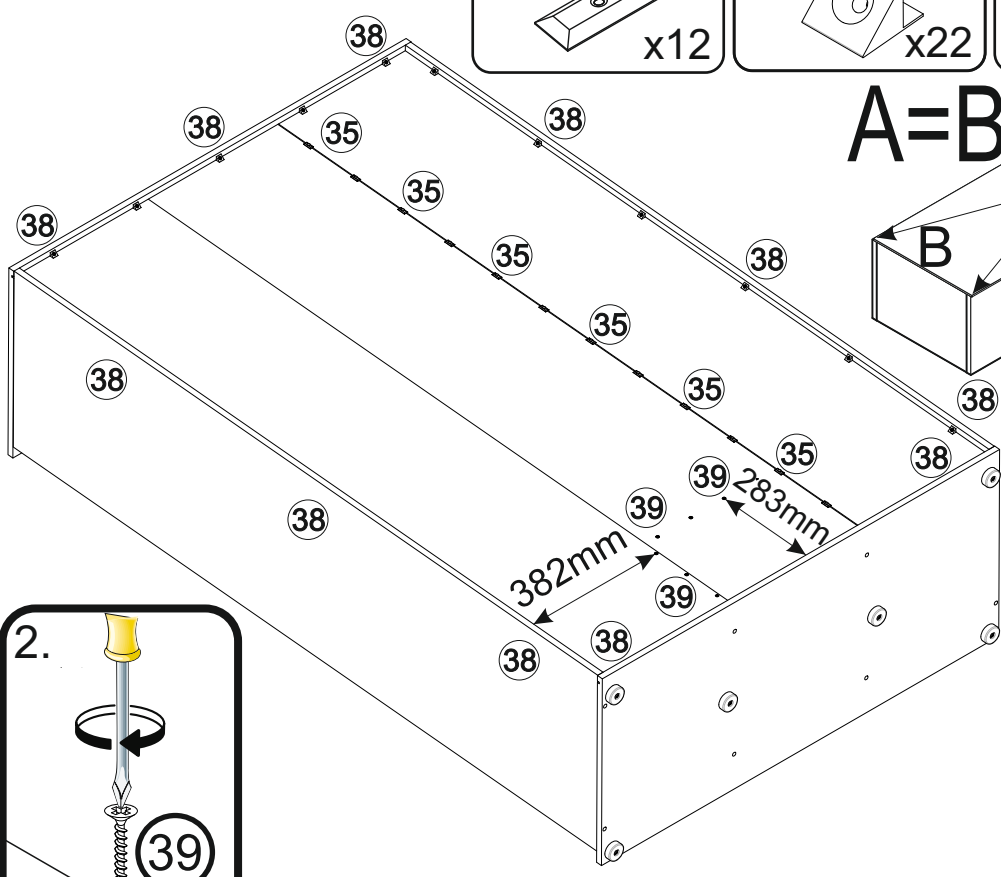
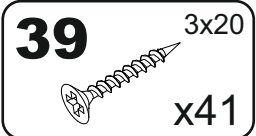
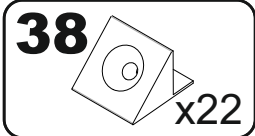
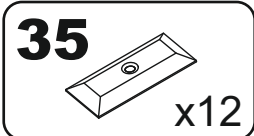
12



15



16

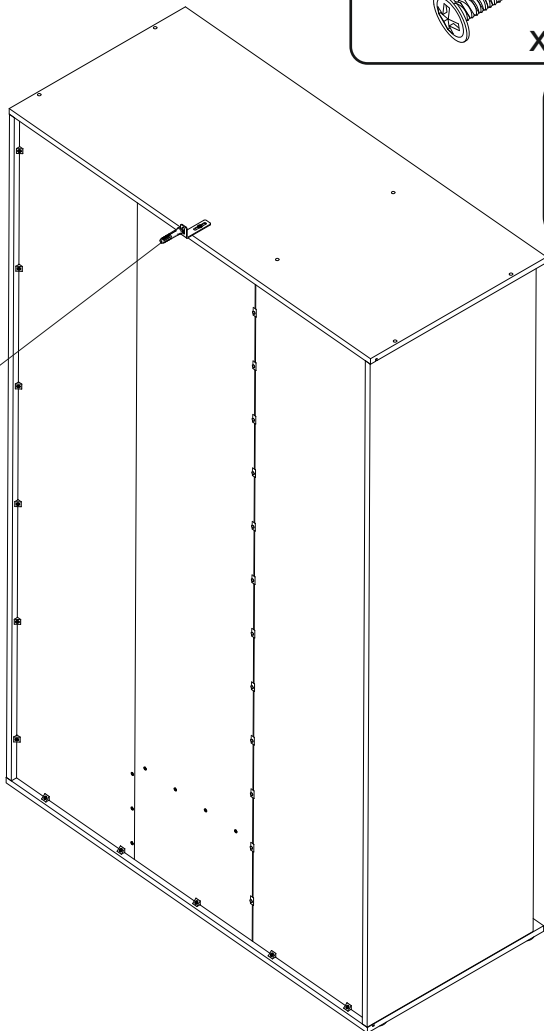
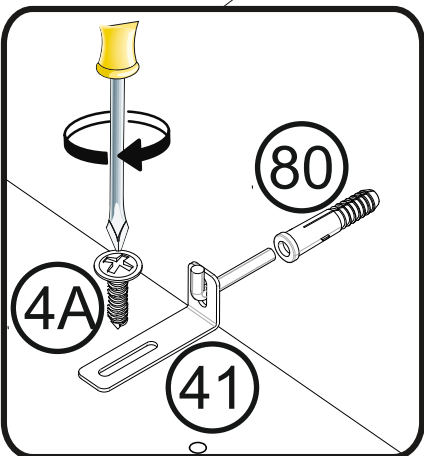
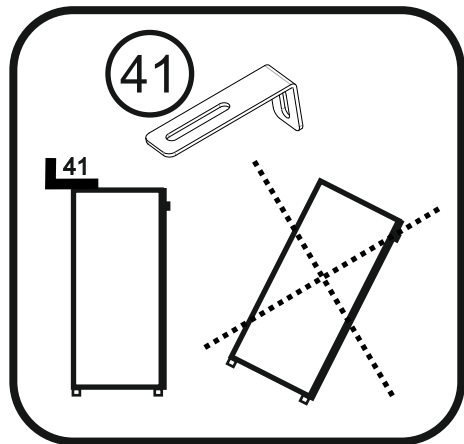
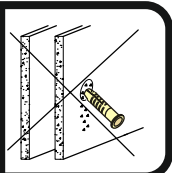
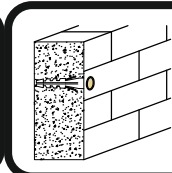
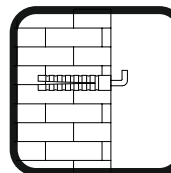


17

4A 4x16
x1

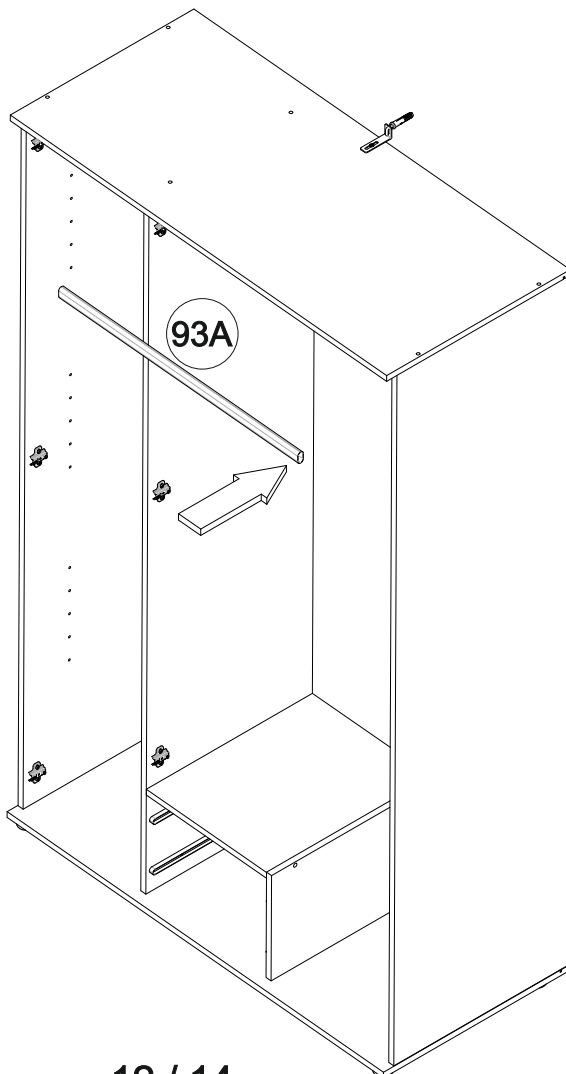
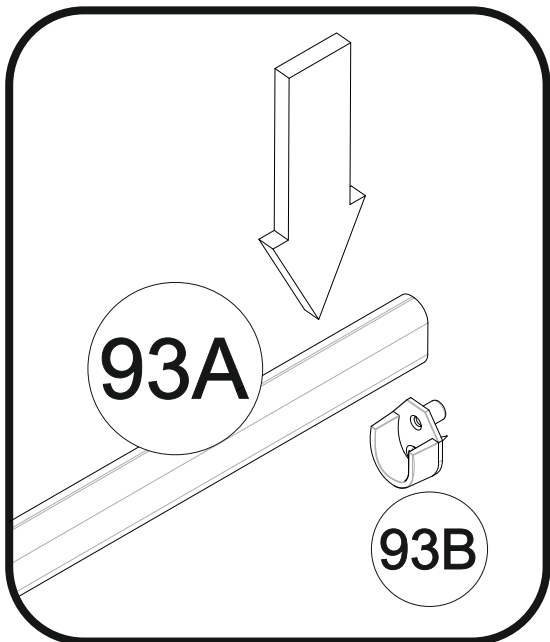
41
x1

80
x1

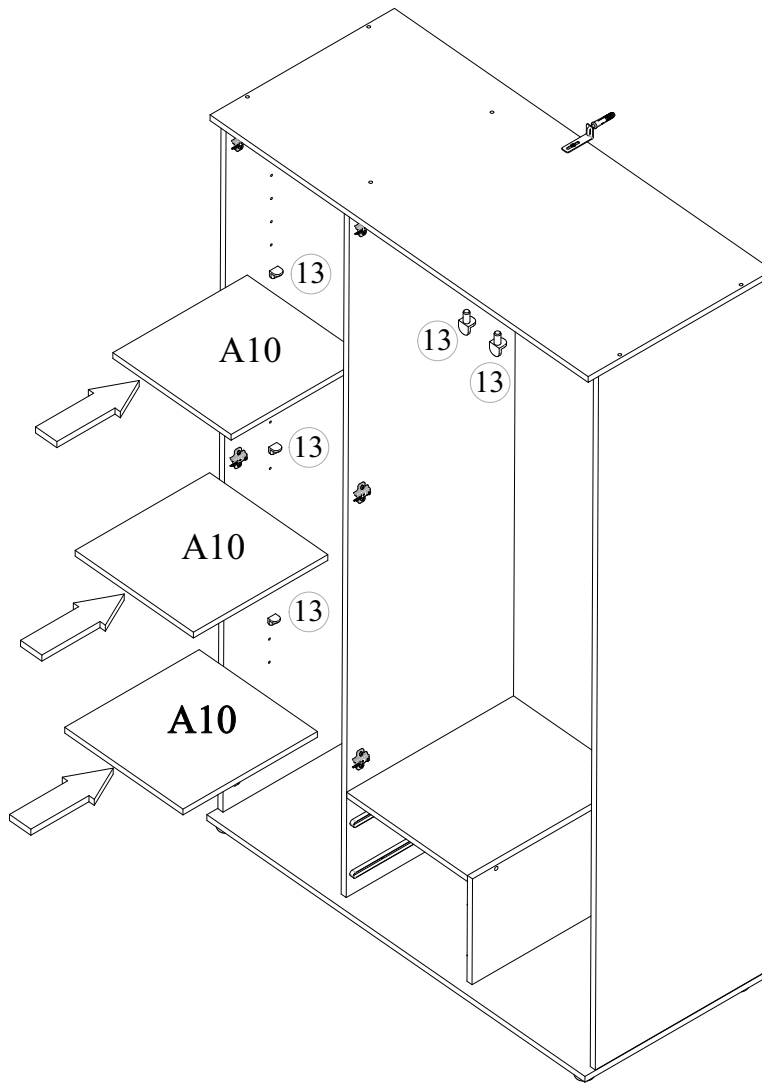


18

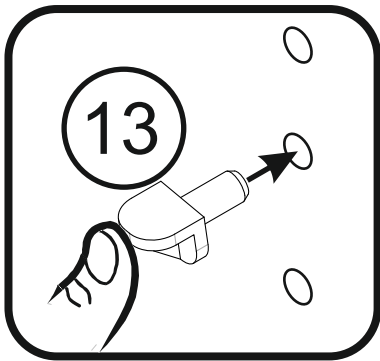
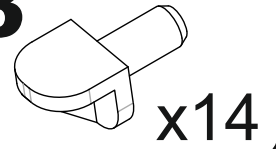
93A
x1



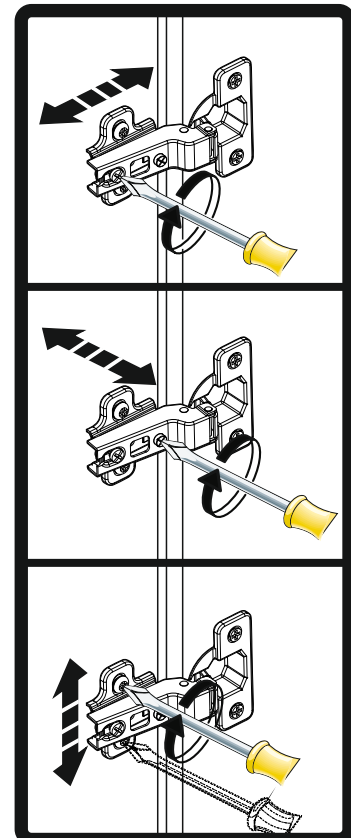
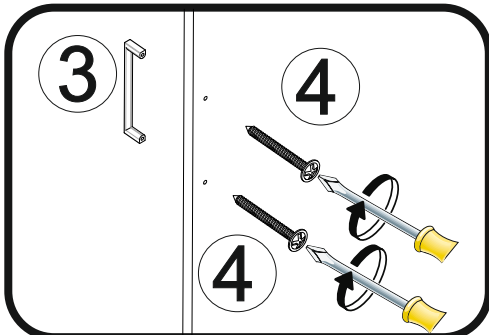
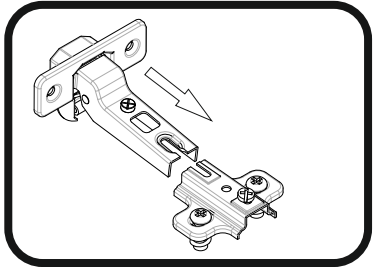
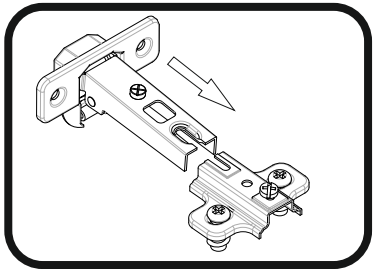
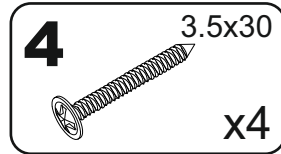
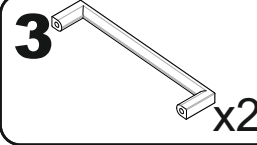
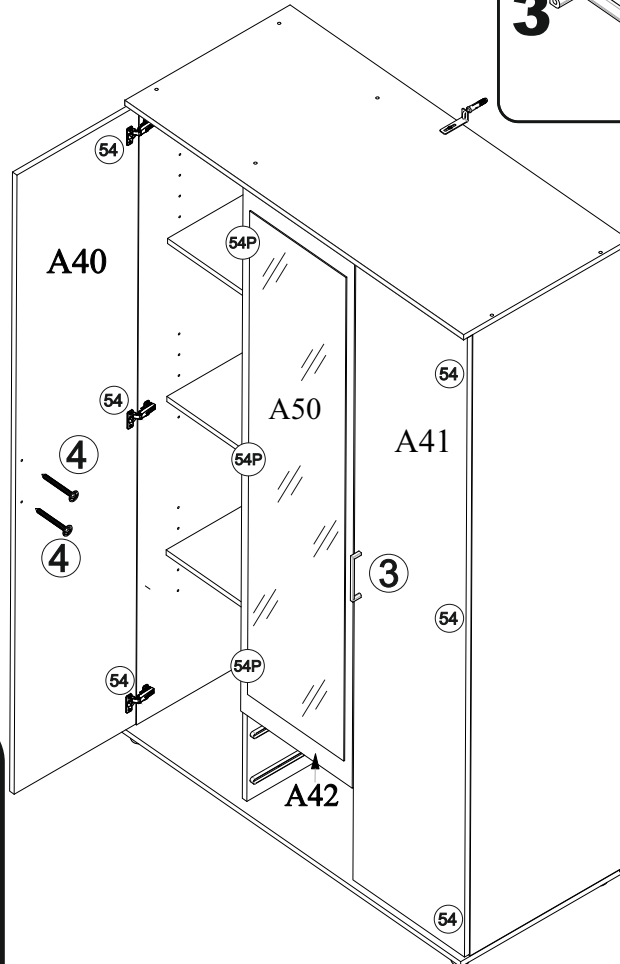
19



13



20



21

