




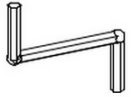














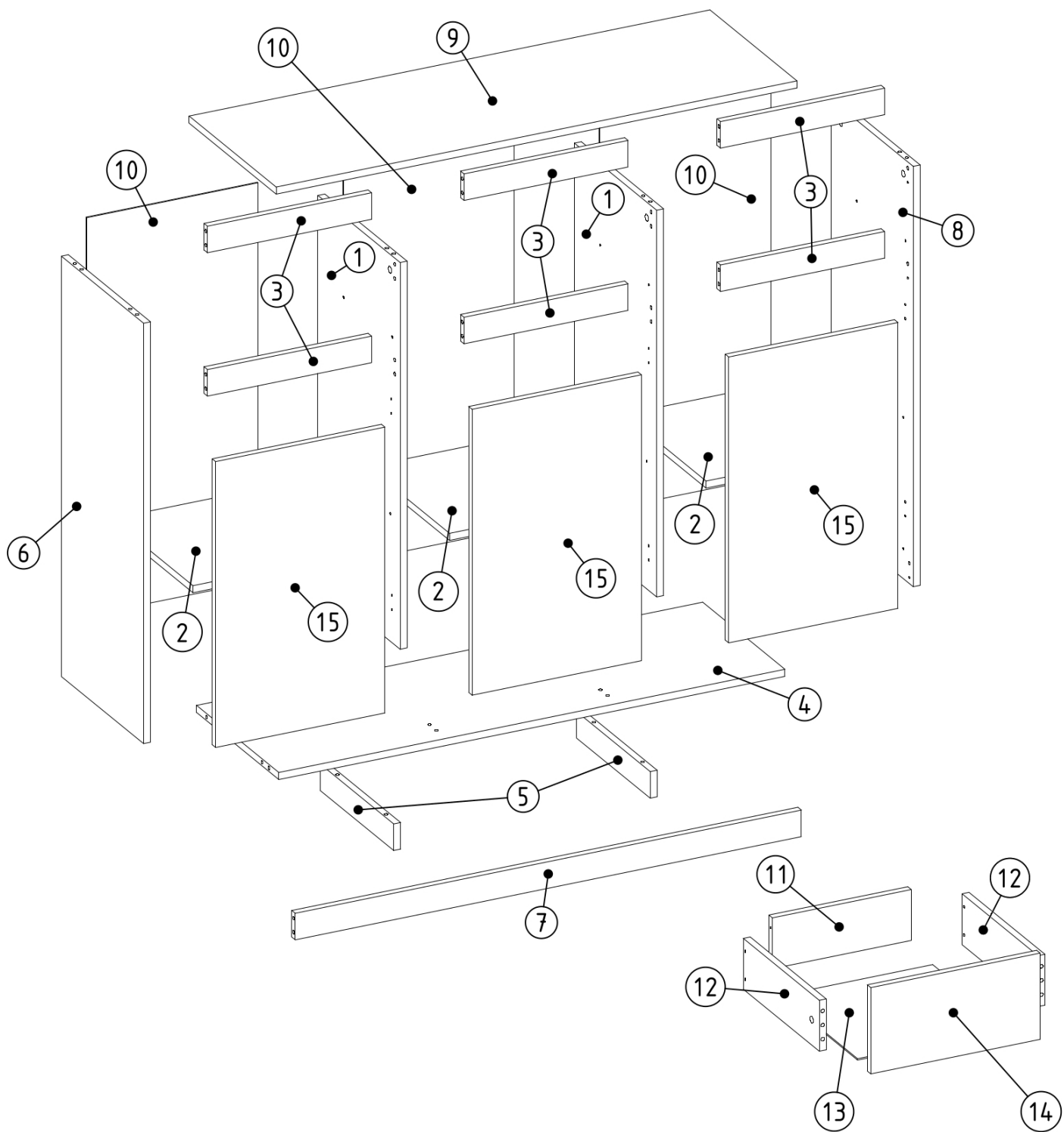



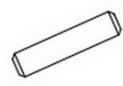



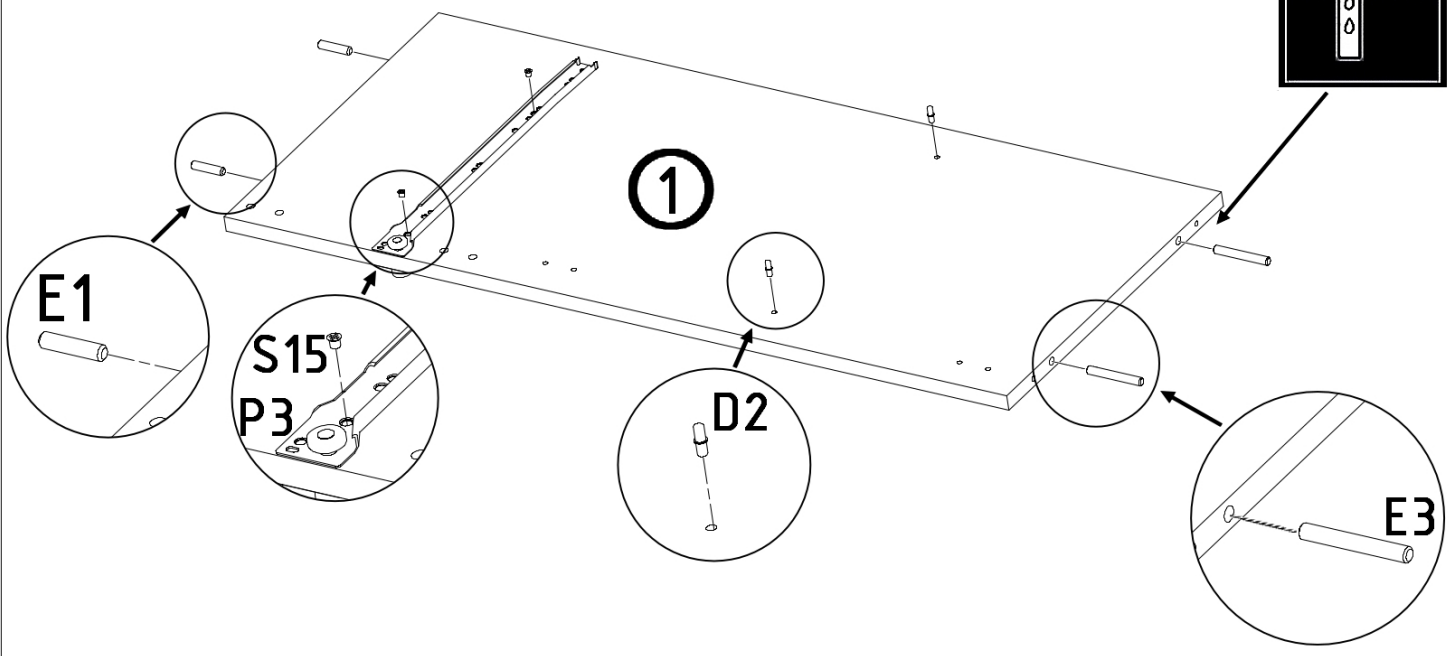
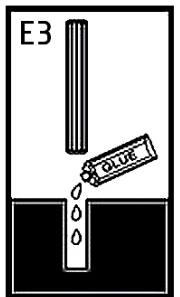
<b>S5</b>  2,5x20 x 10	<b>F2</b>  x 4	<b>A0</b>  ZB x 6	<b>N3</b>  L=76 x 4		
 x 1	<b>K1</b>  x 1	<b>Z4</b>  x 10	 x 1		
<b>N2</b>  L=30,3 x 24	<b>M3</b>  x 32	<b>E4</b>  x 12	<b>S1</b>  3,5x16 x 24	<b>E1</b>  8x35 x 30	<b>D2</b>  x 12
<b>T1</b>  x 8	<b>Z2</b>  x 80	<b>P3</b>  L=350 x 3	<b>S15</b>  6x8 x 12	<b>M2</b>  x 6	<b>E3</b>  8x70 x 8



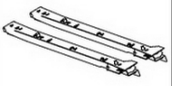



1	x 2
2	x 3
3	x 6
4	x 1
5	x 2
6	x 1
7	x 1
8	x 1

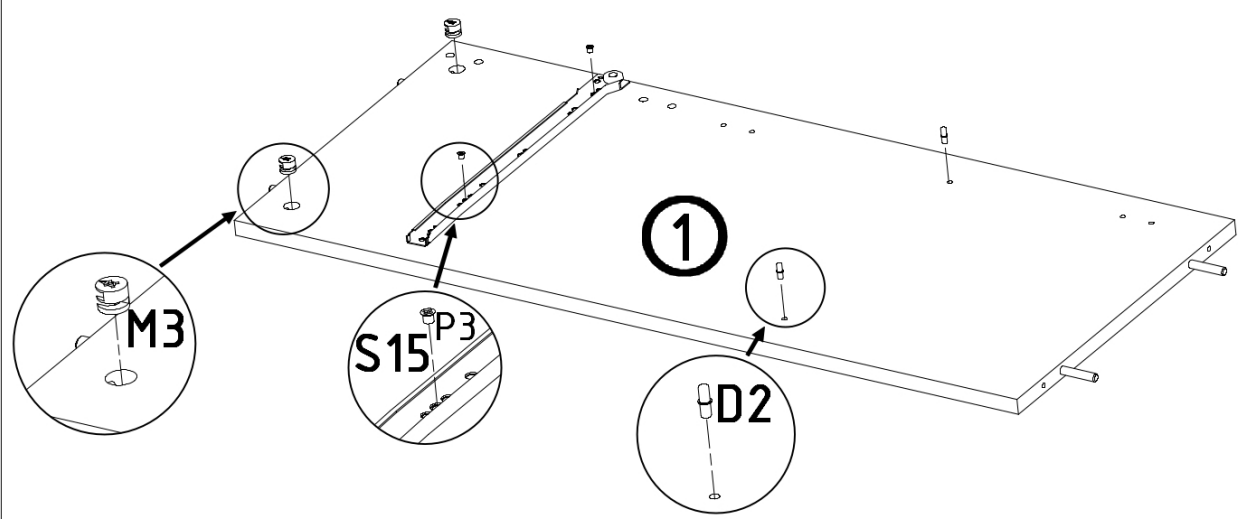
9	x 1
10	x 3
11	x 3
12	x 6
13	x 3
14	x 3
15	x 3

<b>D2</b> 	<b>P3</b> 	<b>S15</b> 	<b>E1</b> 	<b>E3</b> 
x 4	L=350 x 2	6x8 x 4	8x35 x 4	8x70 x 4

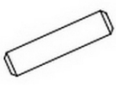



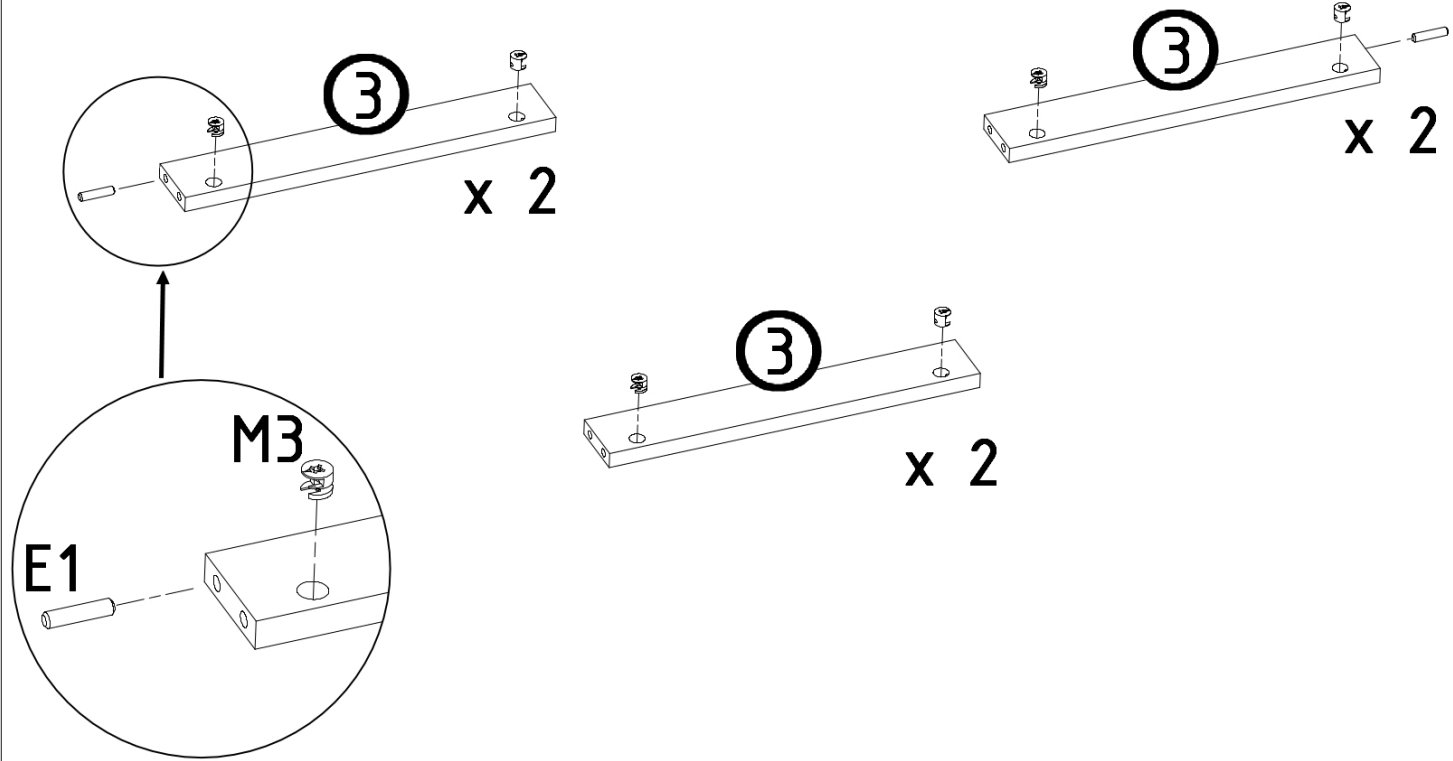
x 2



<b>P3</b> 	<b>S15</b> 	<b>D2</b> 	<b>M3</b> 
L=350 x 2	6x8 x 4	x 4	x 4

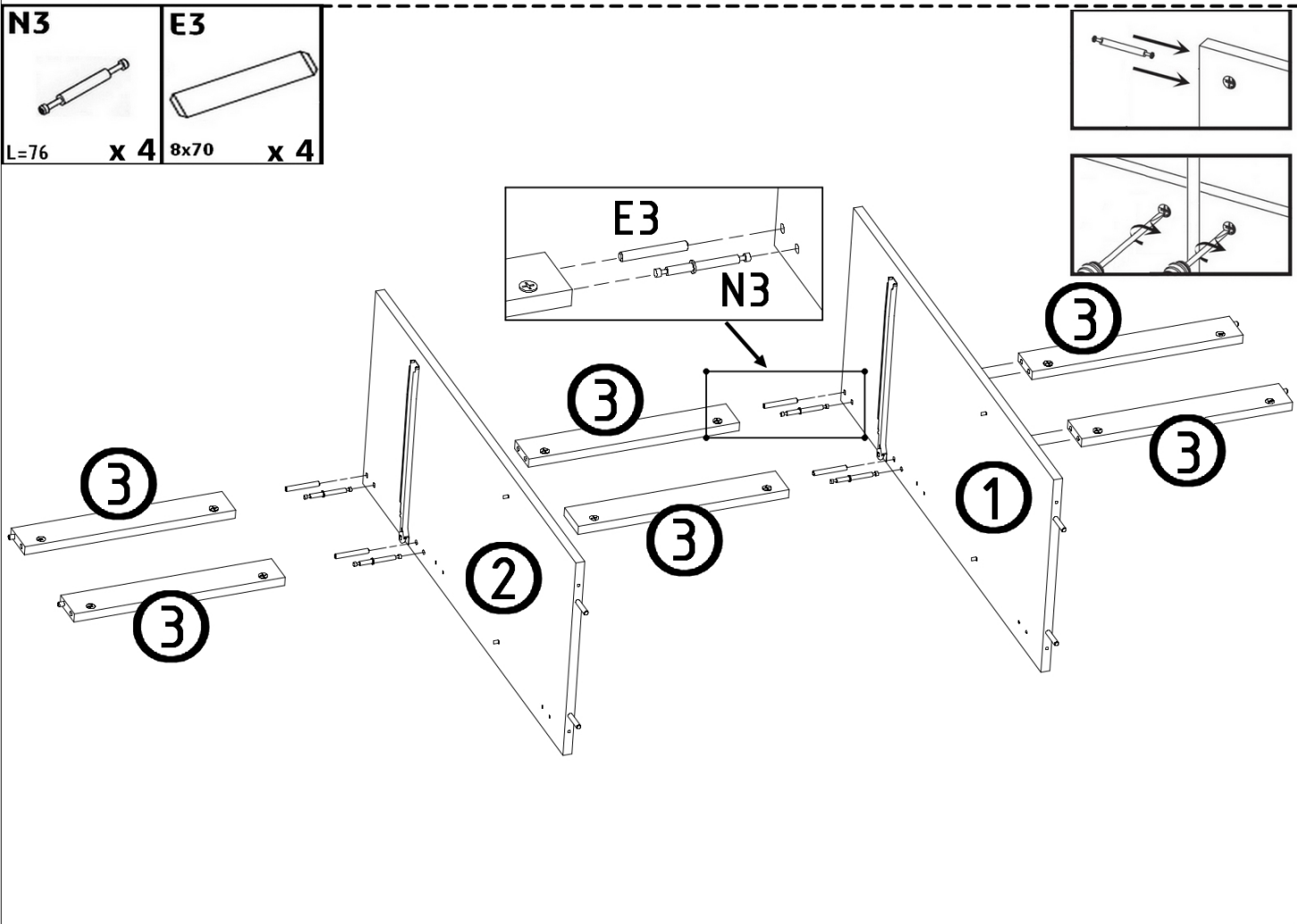


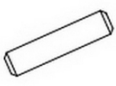

x 2

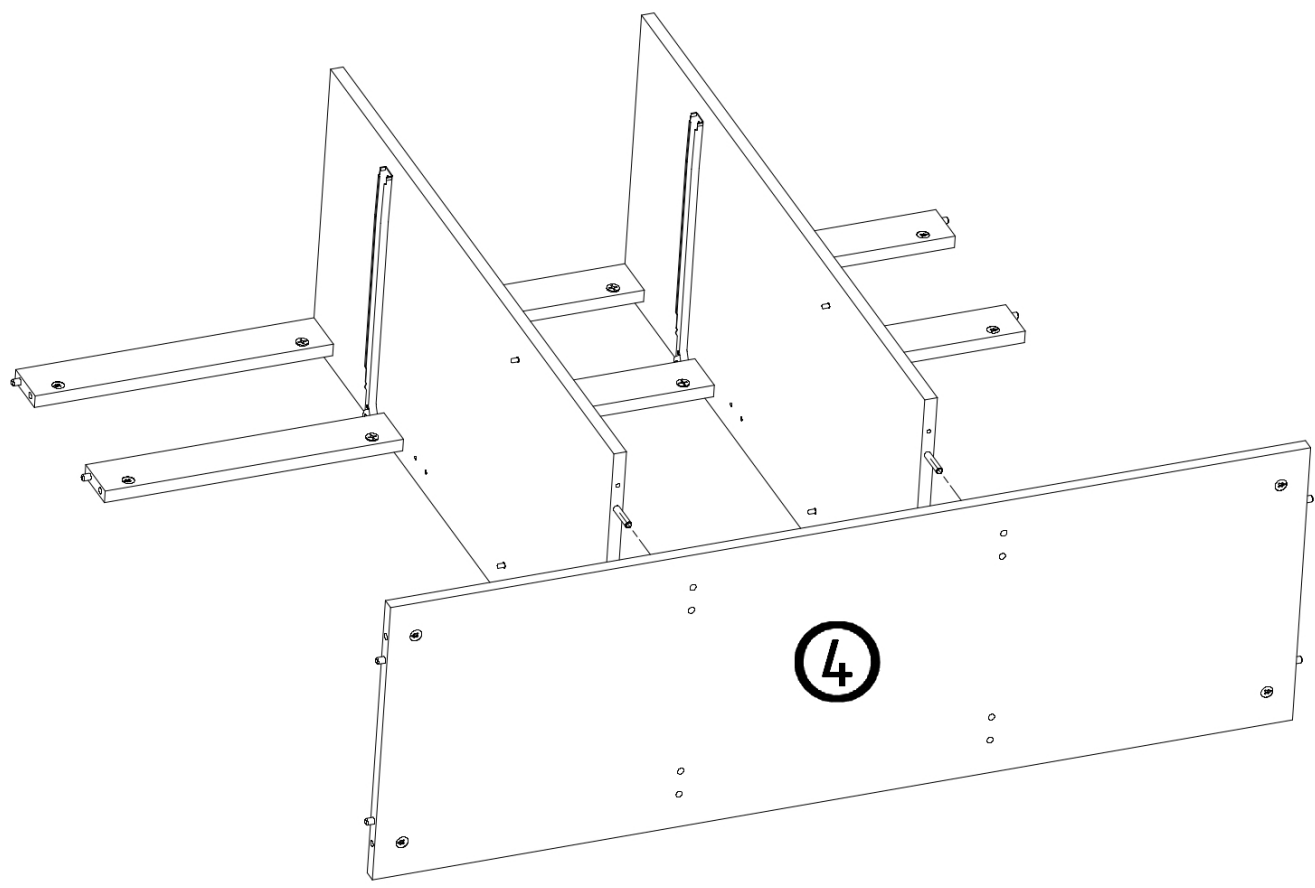
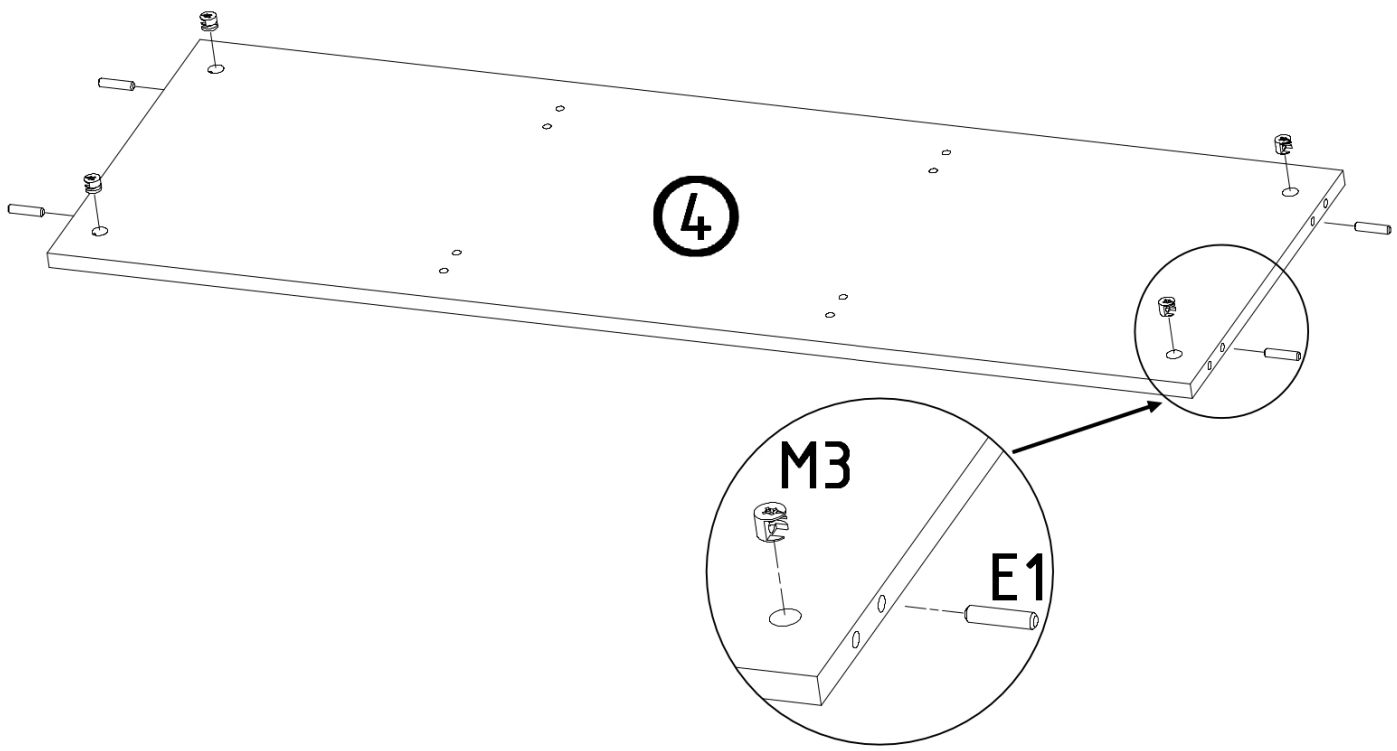
<b>E1</b>  8x35 x 4	<b>M3</b>  x 12
---	---

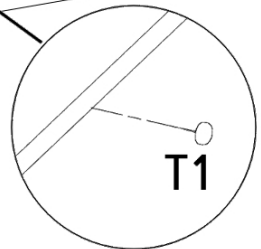
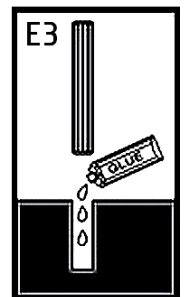
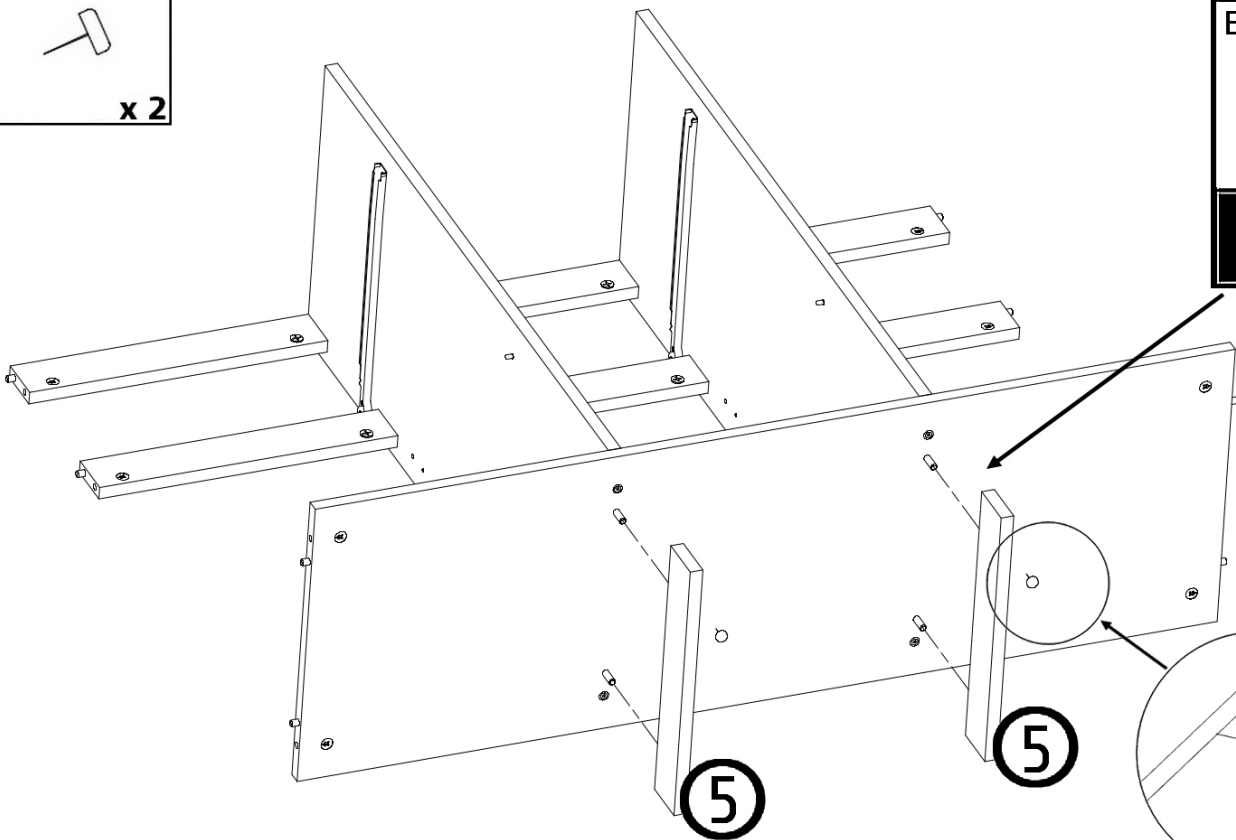
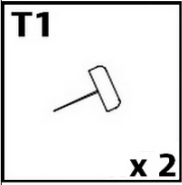
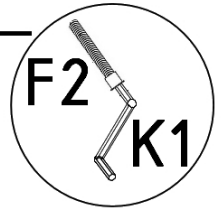
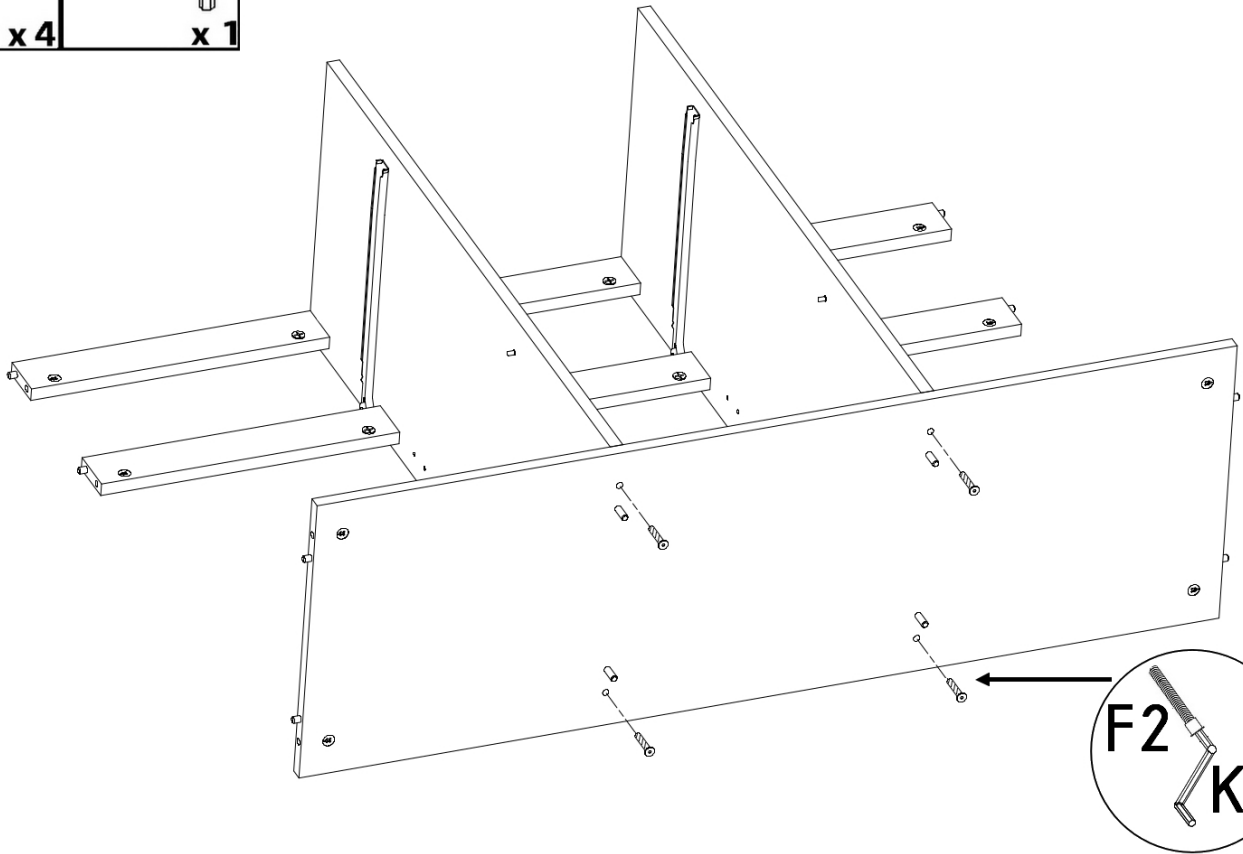
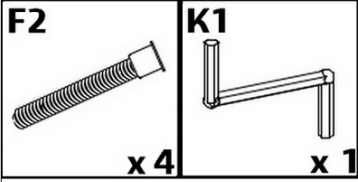









<b>N3</b>  L=76 x 4	<b>E3</b>  8x70 x 4
--	--

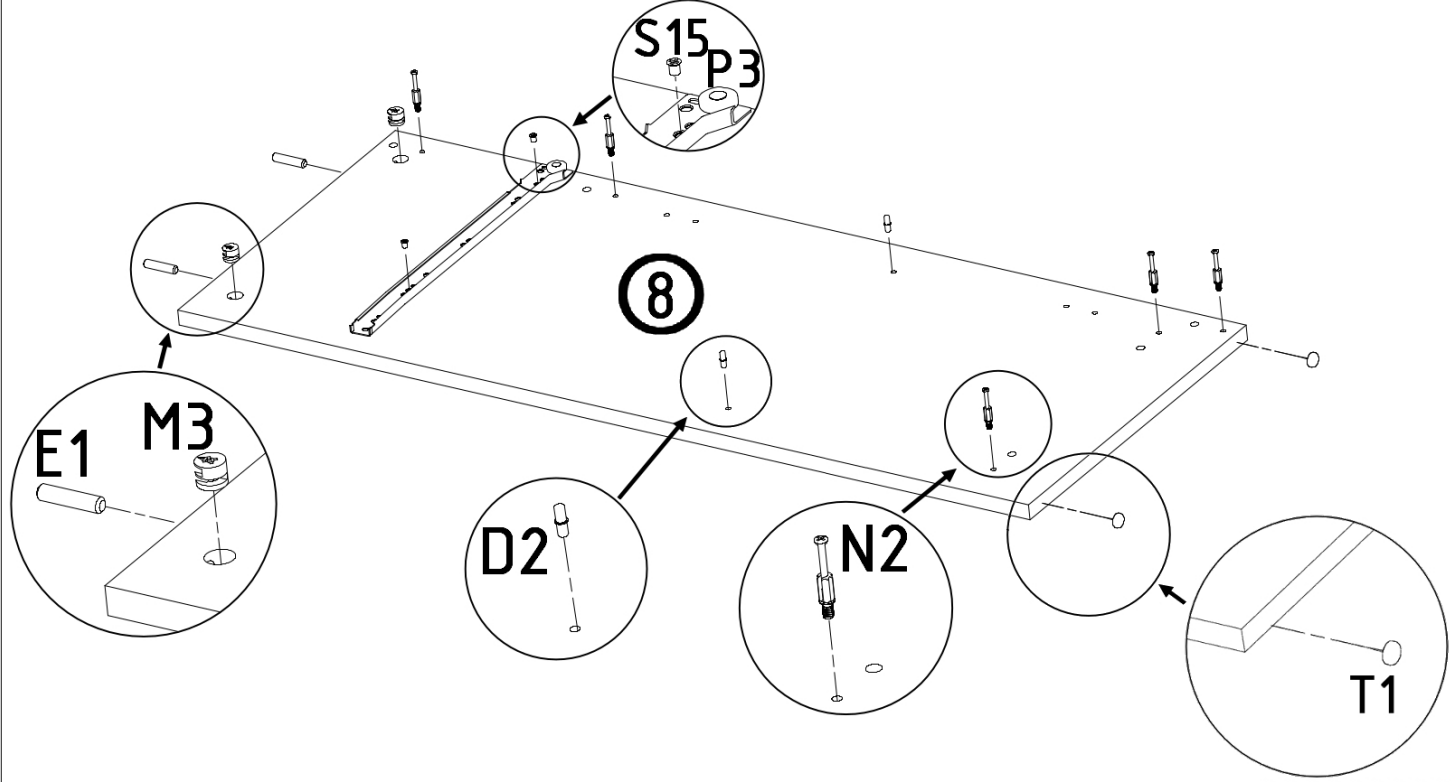









<b>E1</b>  8x35 x 4	<b>M3</b>  x 4
---	--

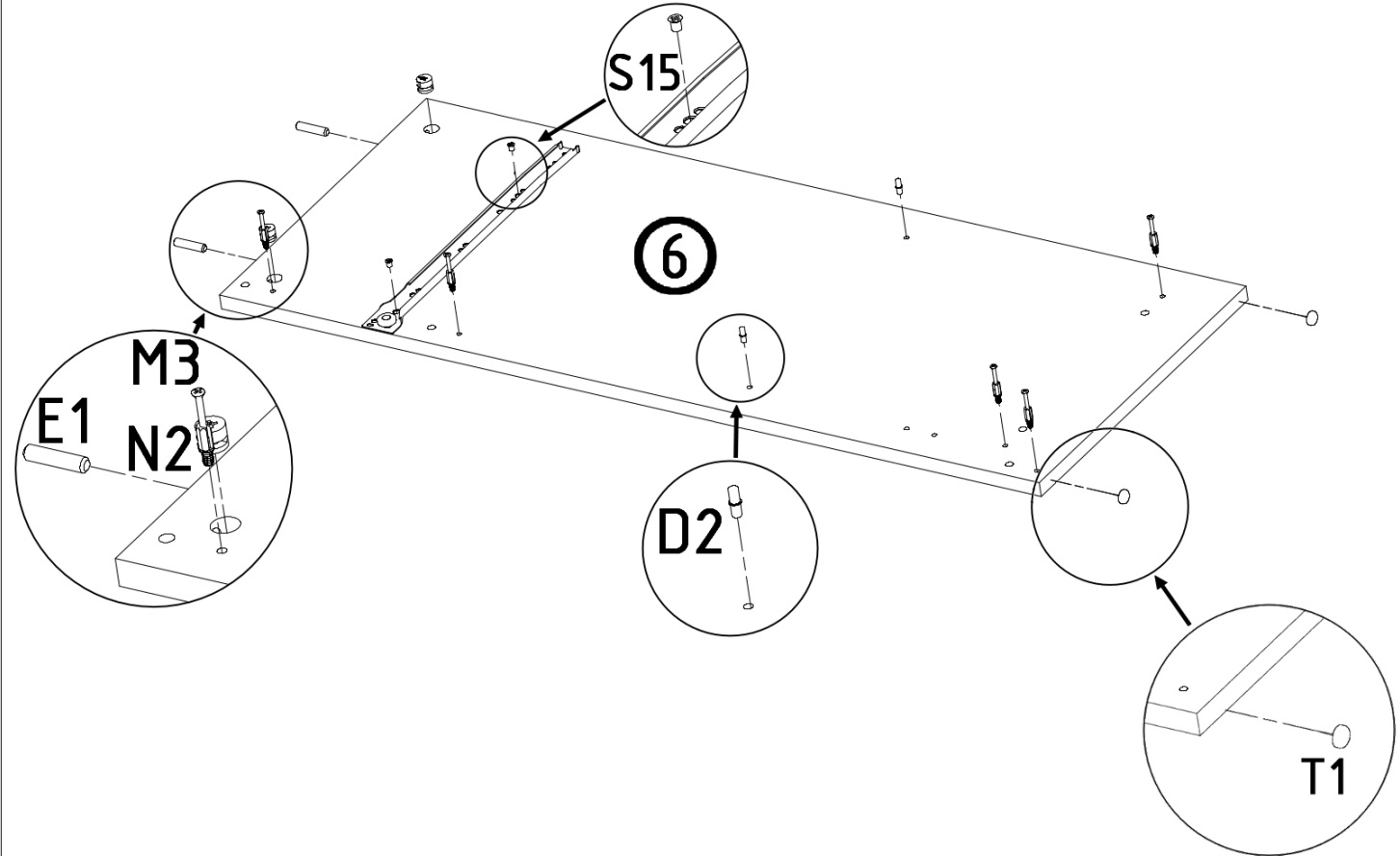


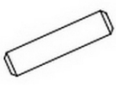




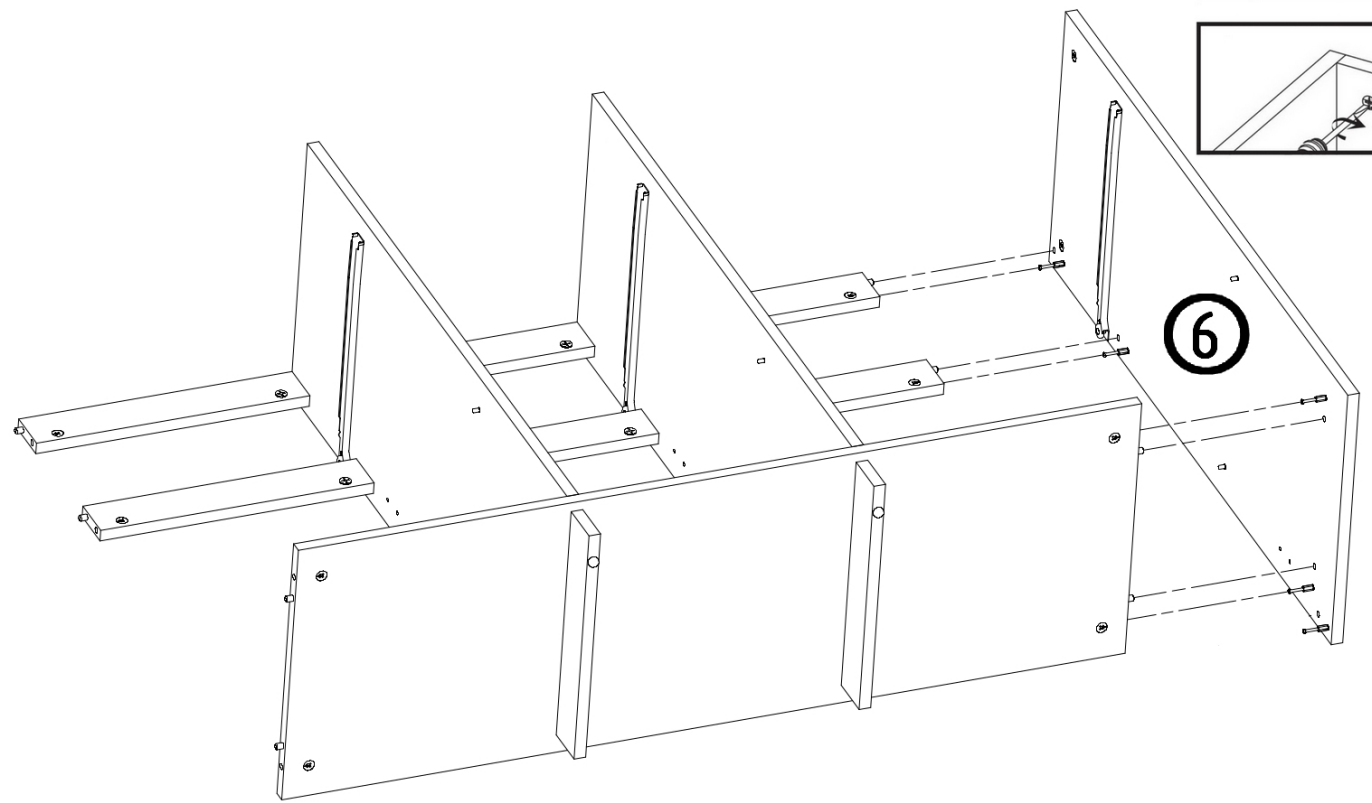
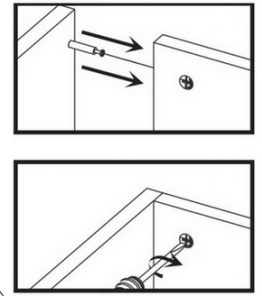
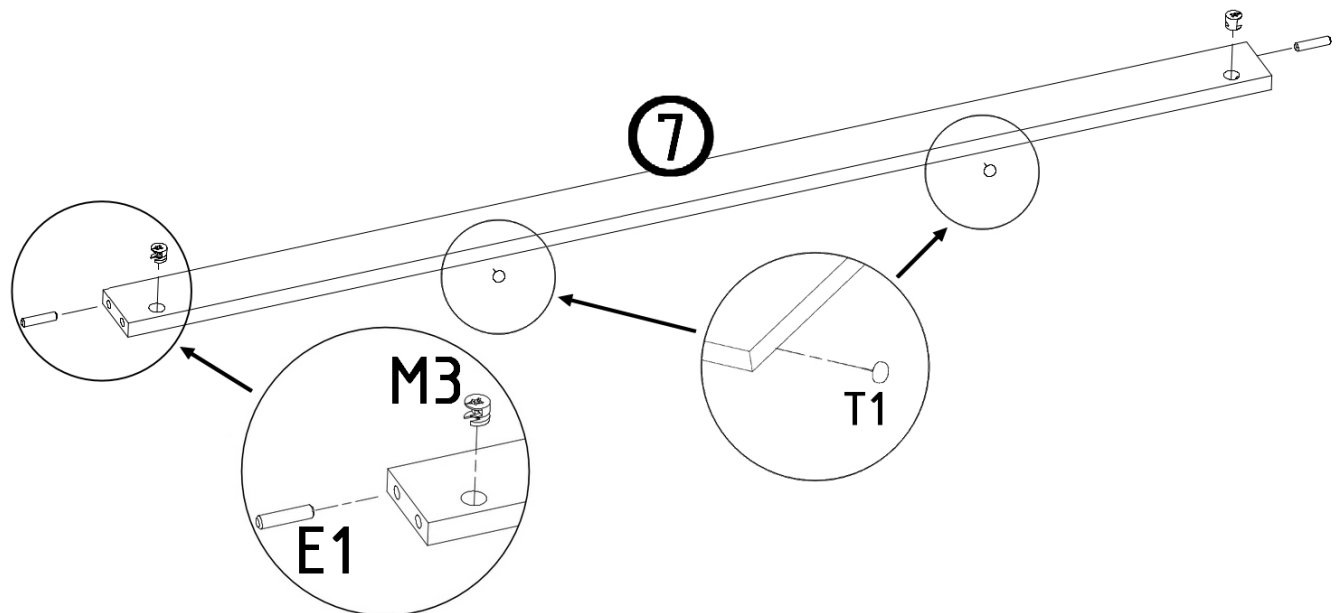
<b>D2</b>  x 2	<b>M3</b>  x 2	<b>P3</b>  L=350 x 1	<b>S15</b>  6x8 x 2	<b>E1</b>  8x35 x 2	<b>N2</b>  L=30,3 x 5	<b>T1</b>  x 2
---	---	--	--	--	--	---



<b>D2</b>  x 2	<b>P3</b>  L=350 x 1	<b>S15</b>  6x8 x 2	<b>E1</b>  8x35 x 2	<b>M3</b>  x 2	<b>N2</b>  L=30,3 x 5	<b>T1</b>  x 2
---	---	--	--	---	---	---

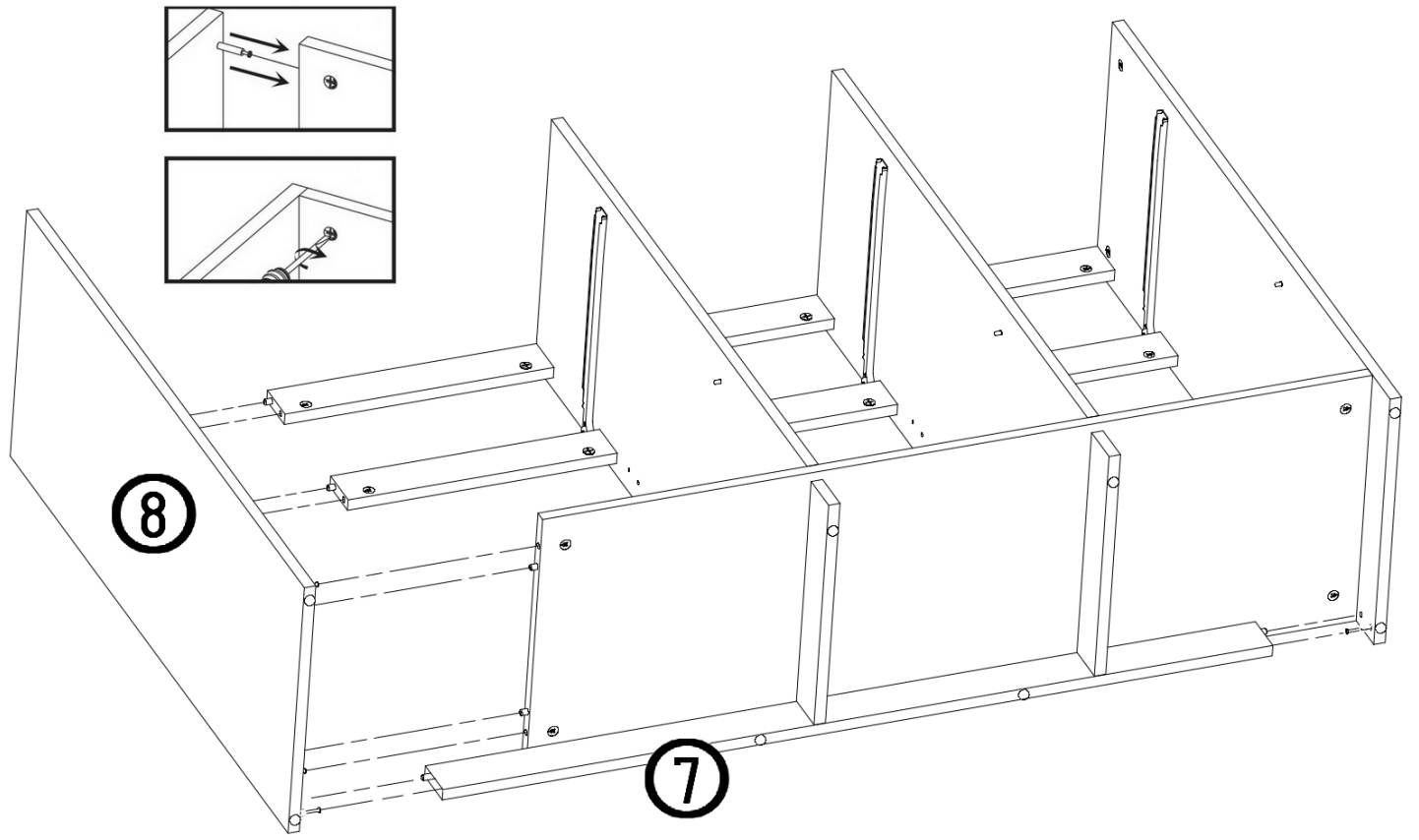


<b>E1</b>  8x35 <b>x 2</b>	<b>M3</b>  x 2	<b>T1</b>  x 2
--	--	--





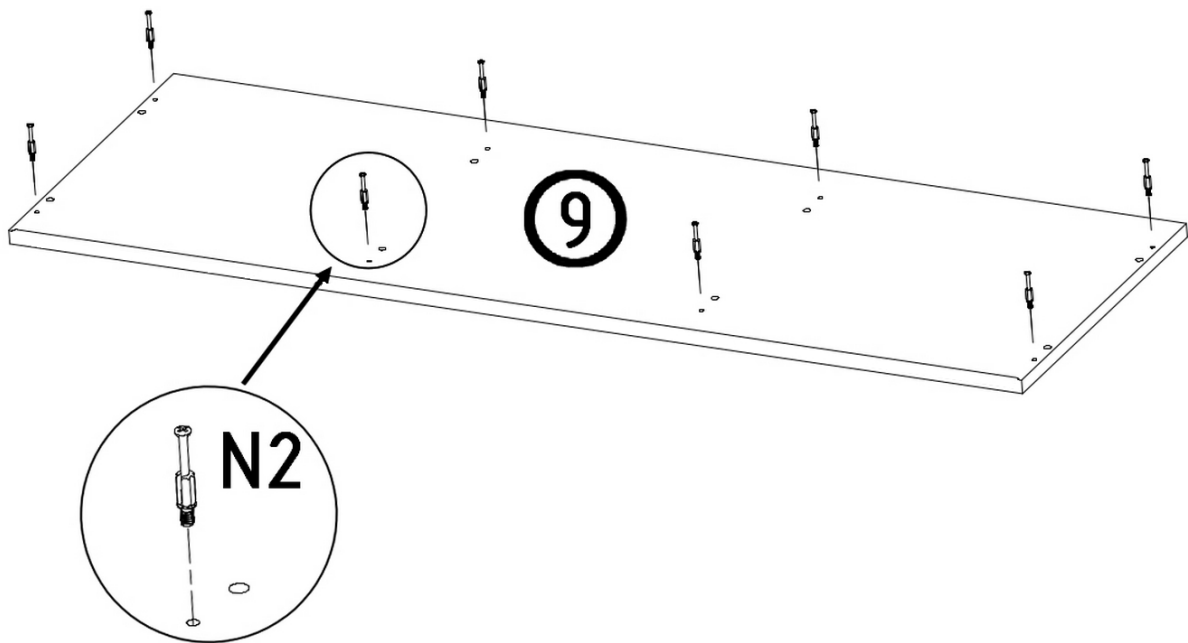
8

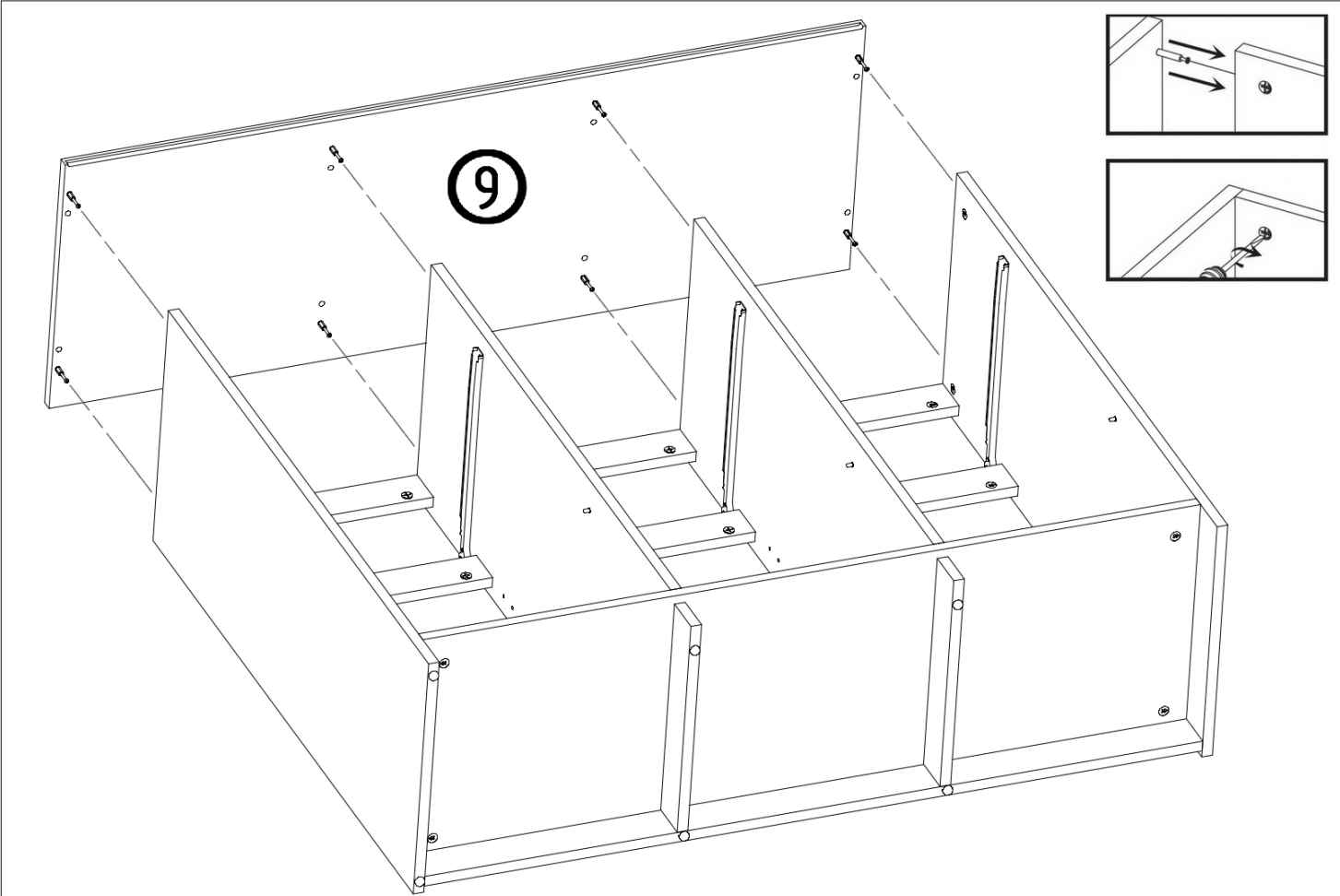





N2

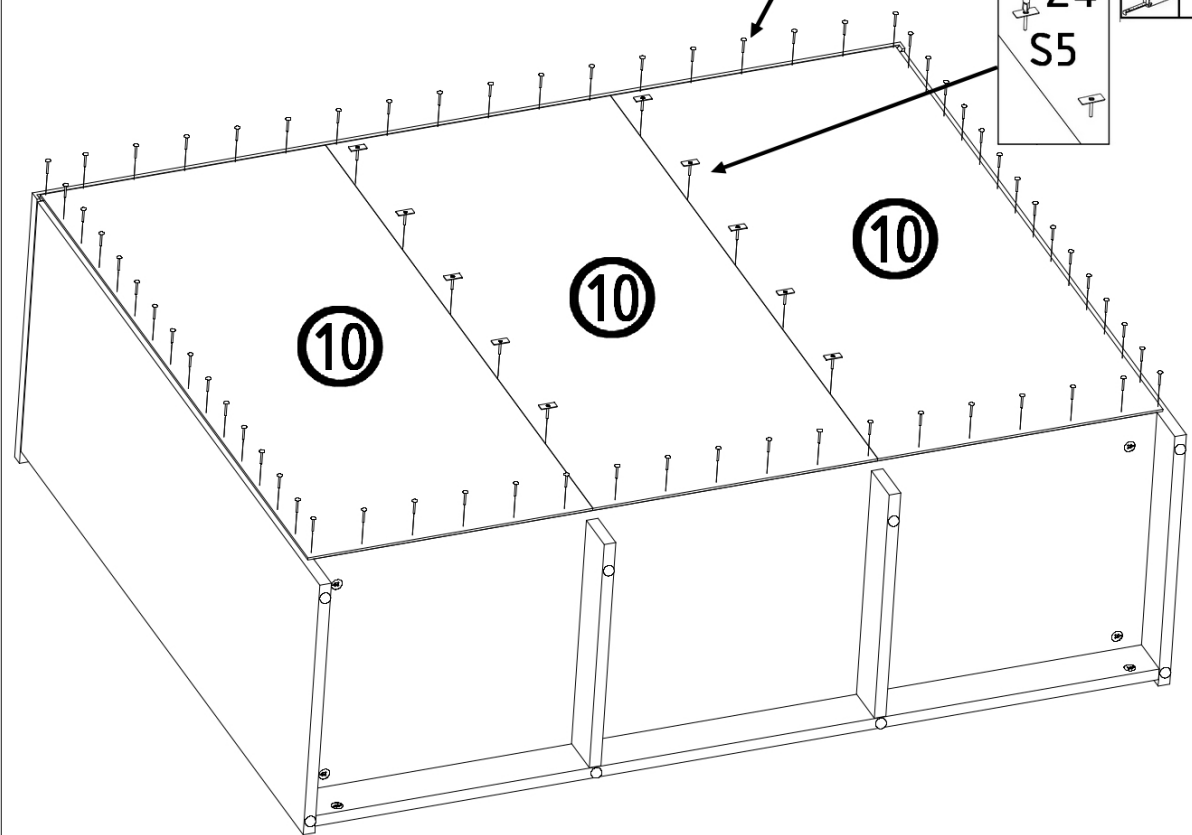
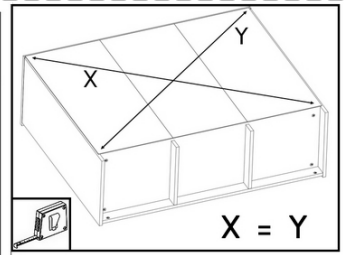
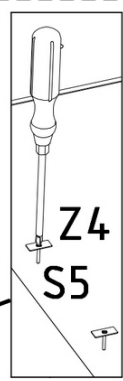
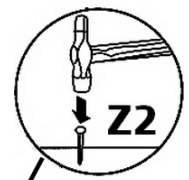


L=30,3 x 8

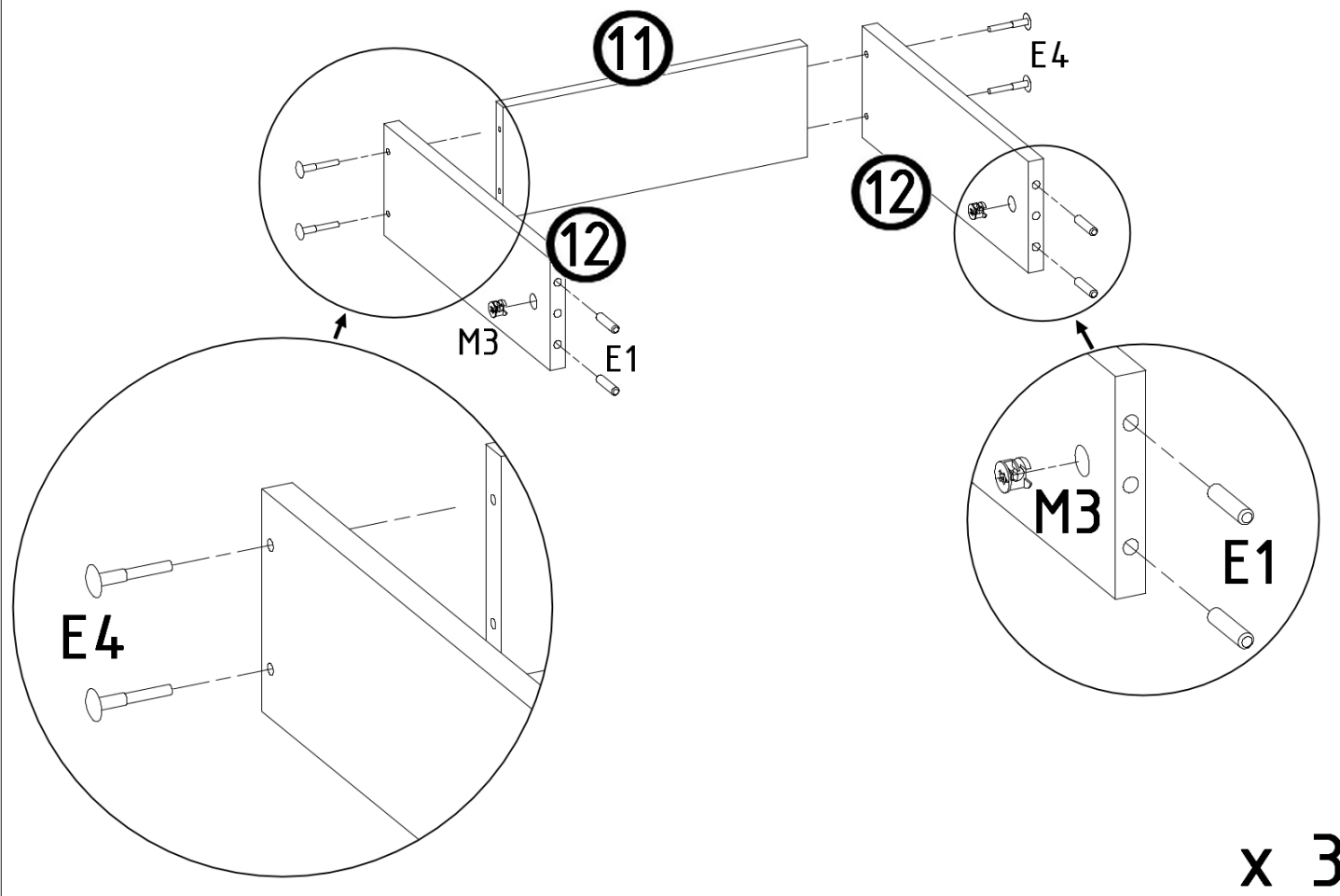




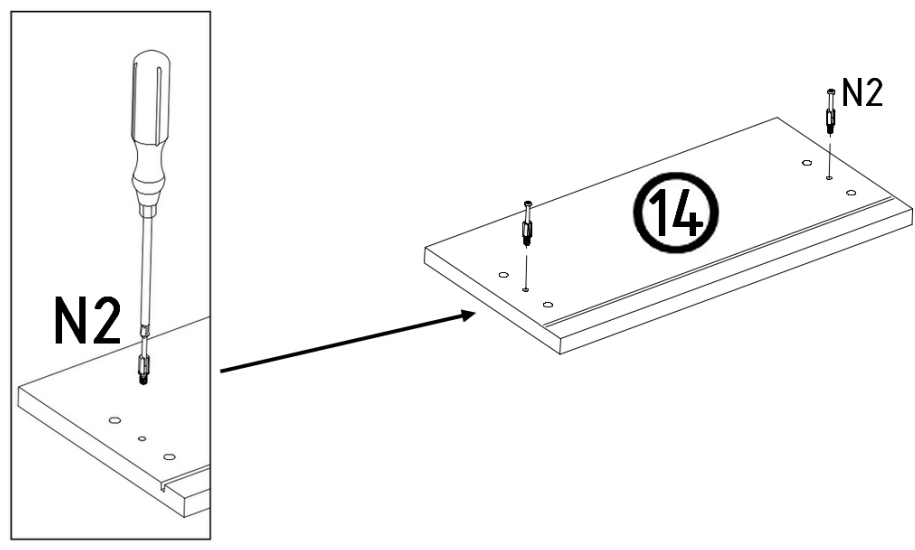
<b>S5</b>  2,5x20 x 10	<b>Z4</b>  x 10	<b>Z2</b>  x 65
---	--	--

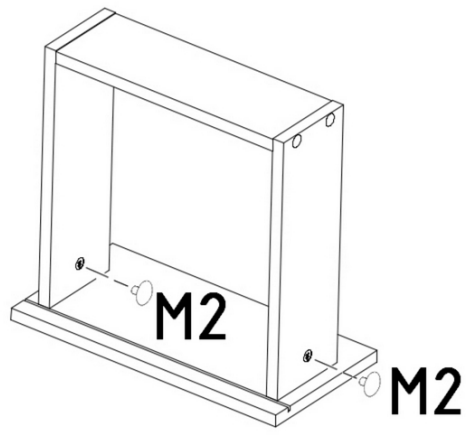
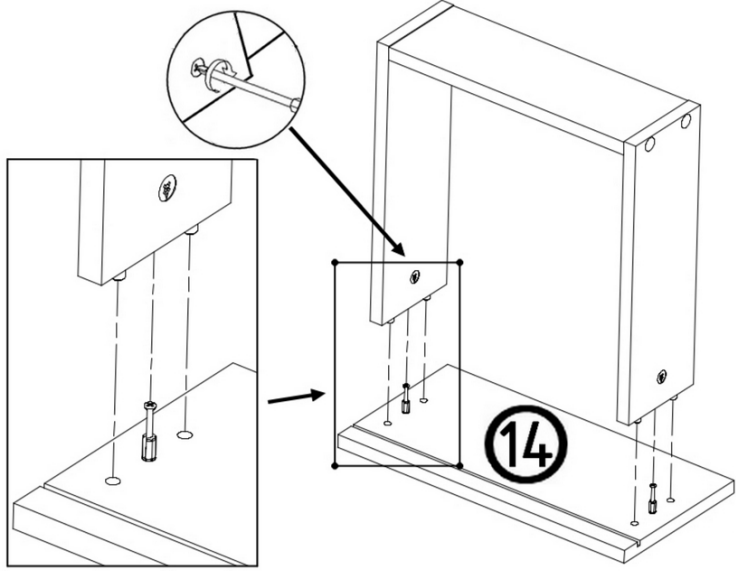
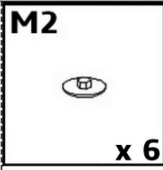


<b>E1</b>  8x35 x 12	<b>M3</b>  x 6	<b>E4</b>  x 12
--	--	---



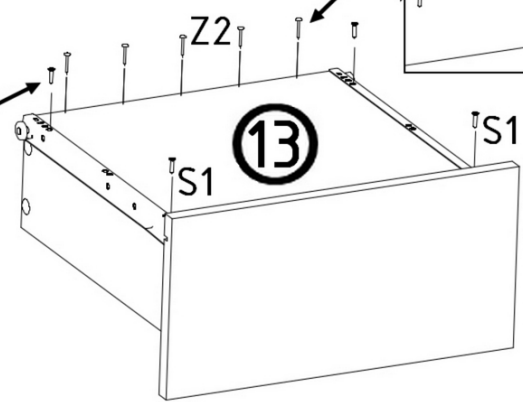
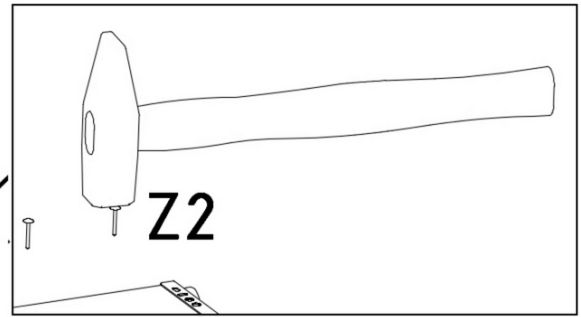
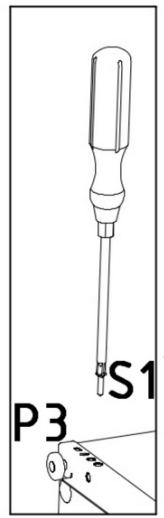
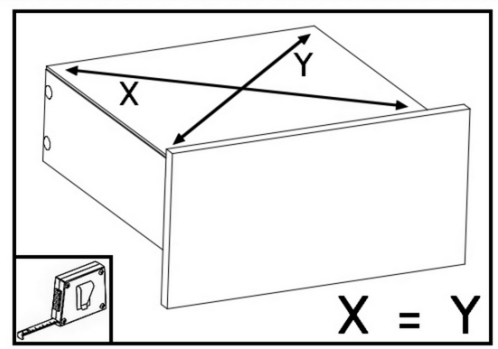
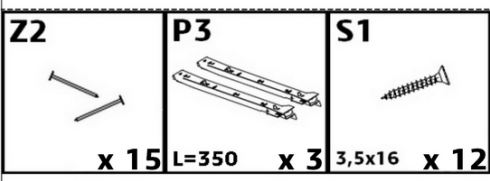
<b>N2</b>  L=30,3 x 6
--




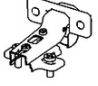


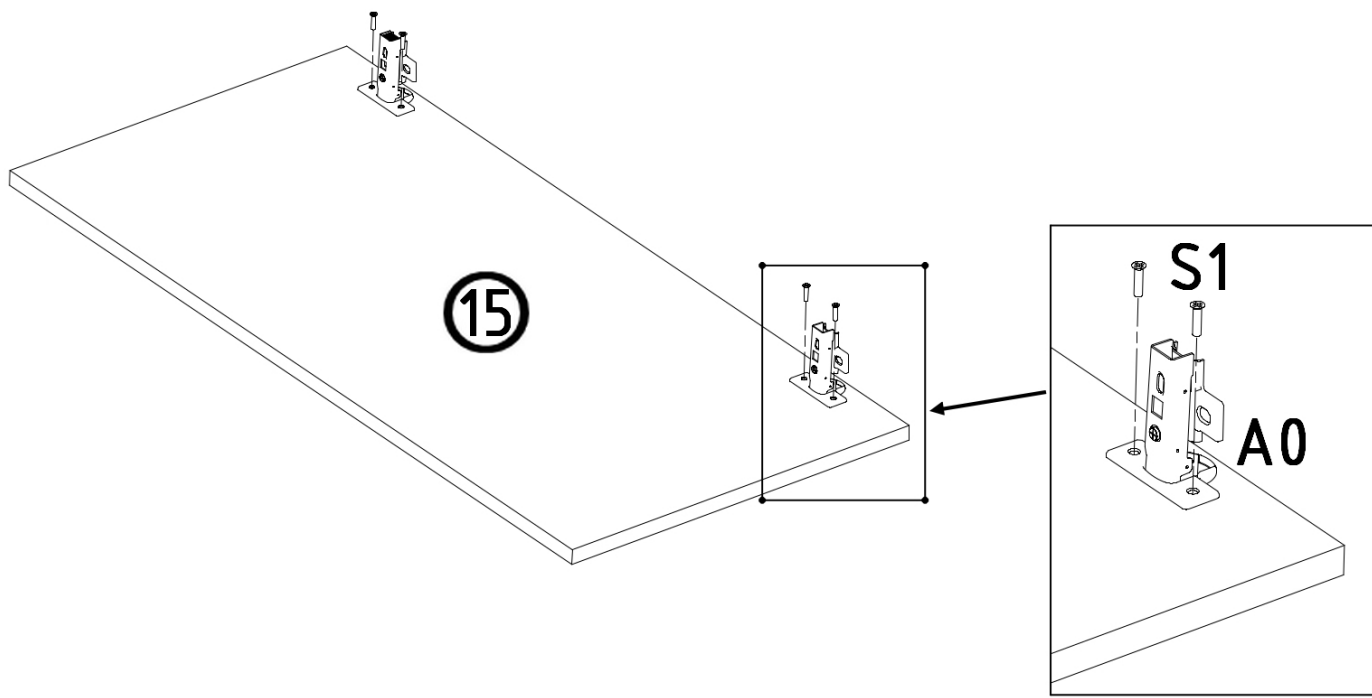
x 3

x 3



x 3

<b>S1</b> 	<b>A0</b> 
3,5x16 x 12	x 6



x 3

