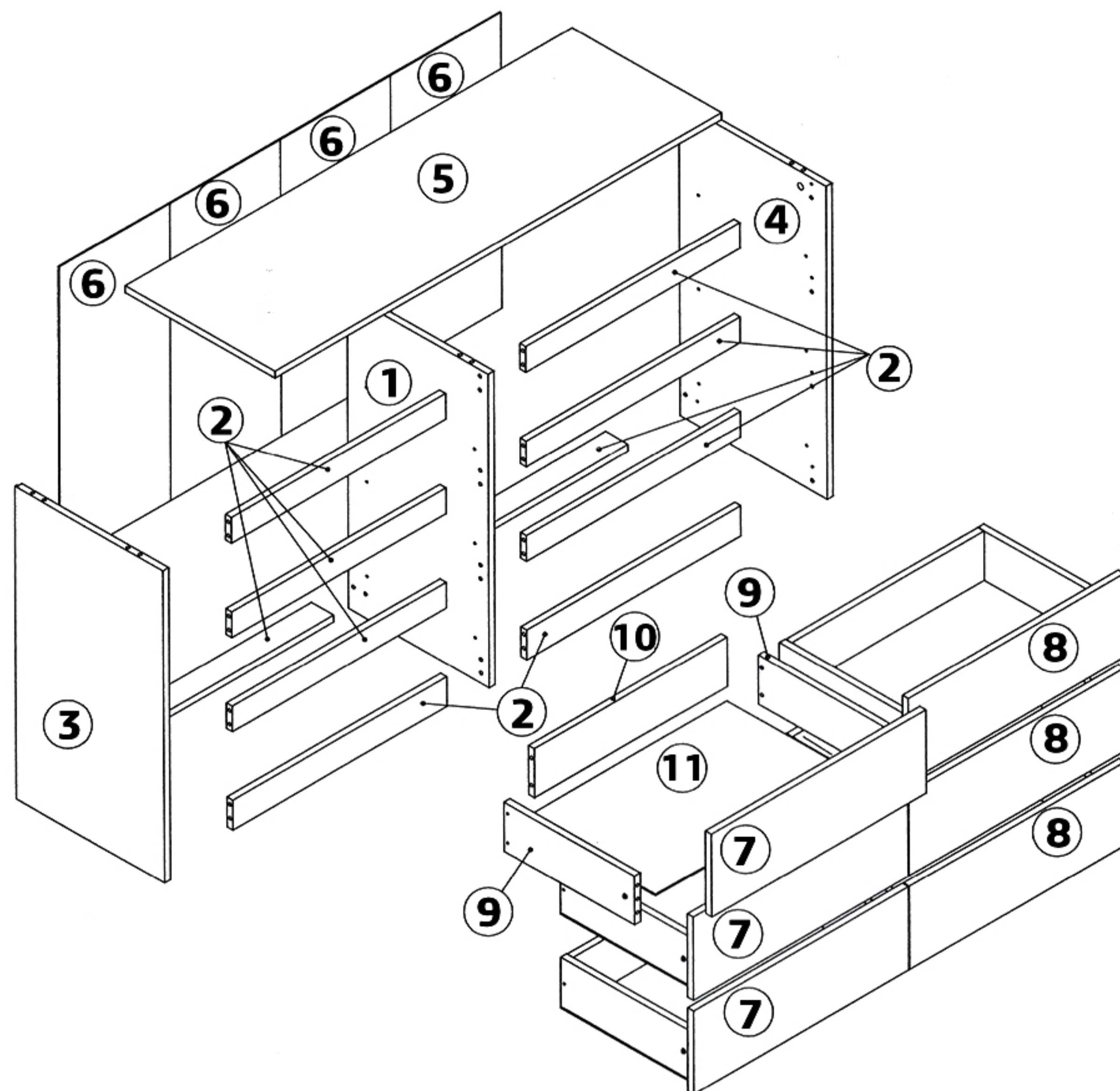
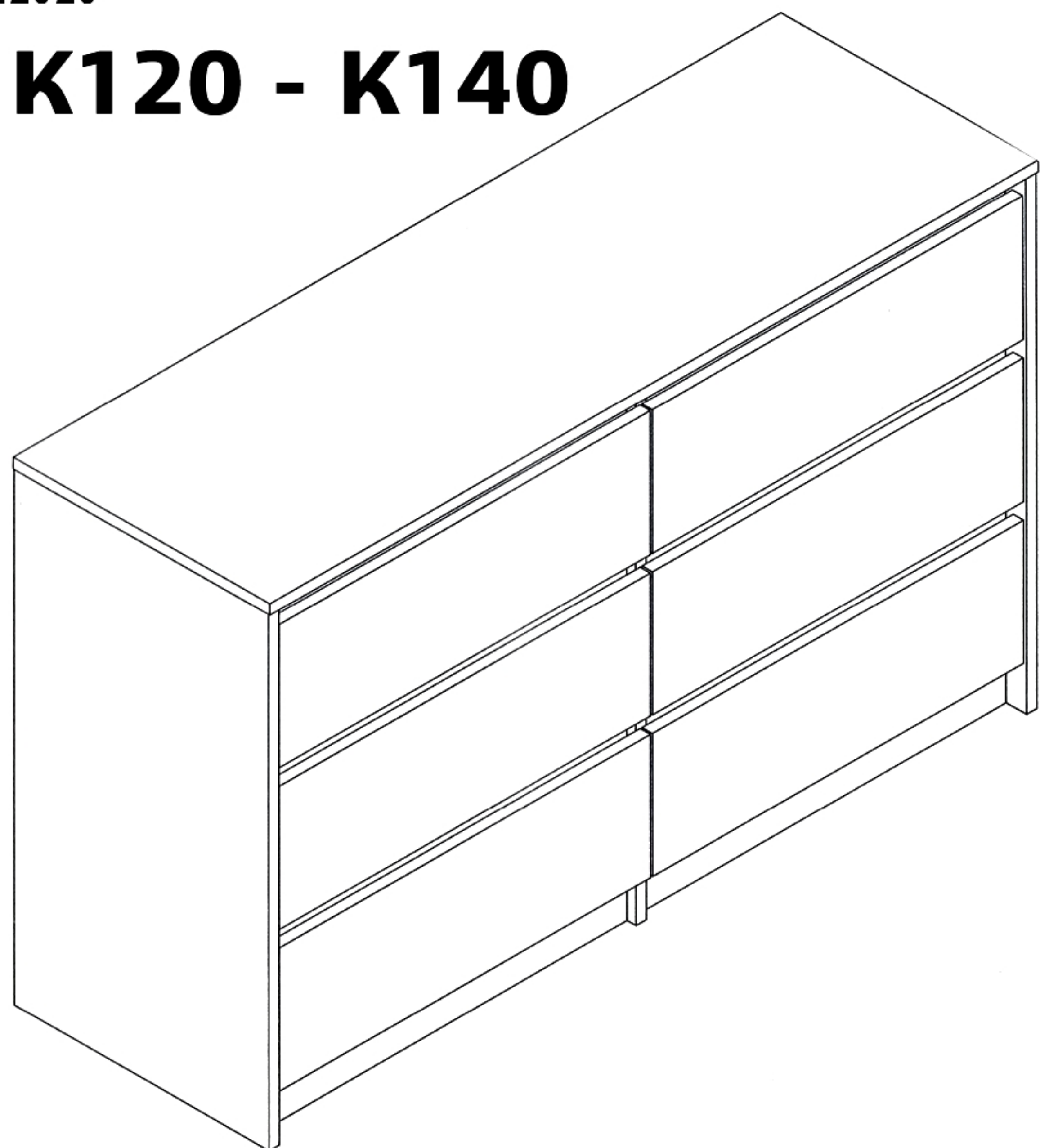
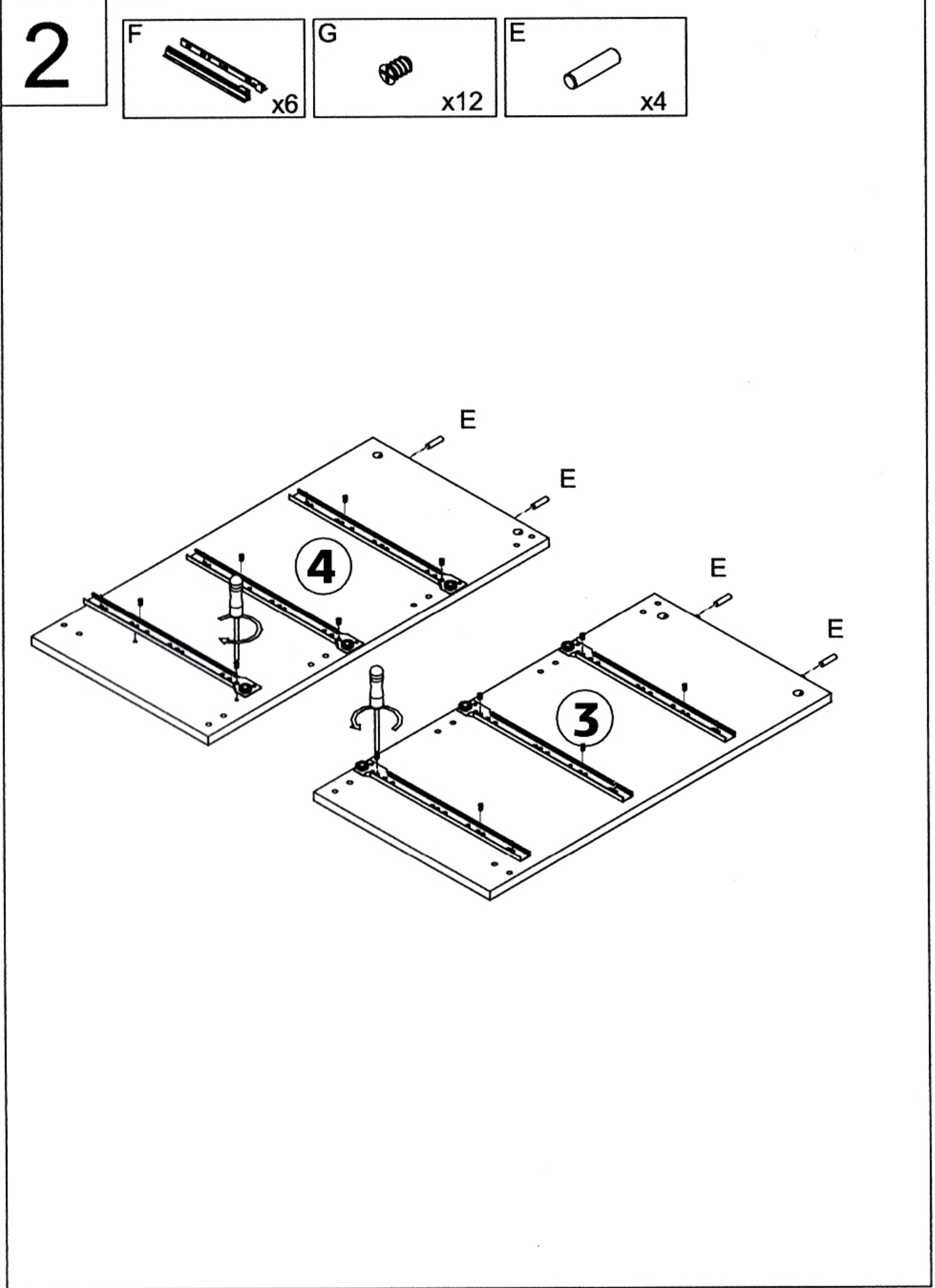
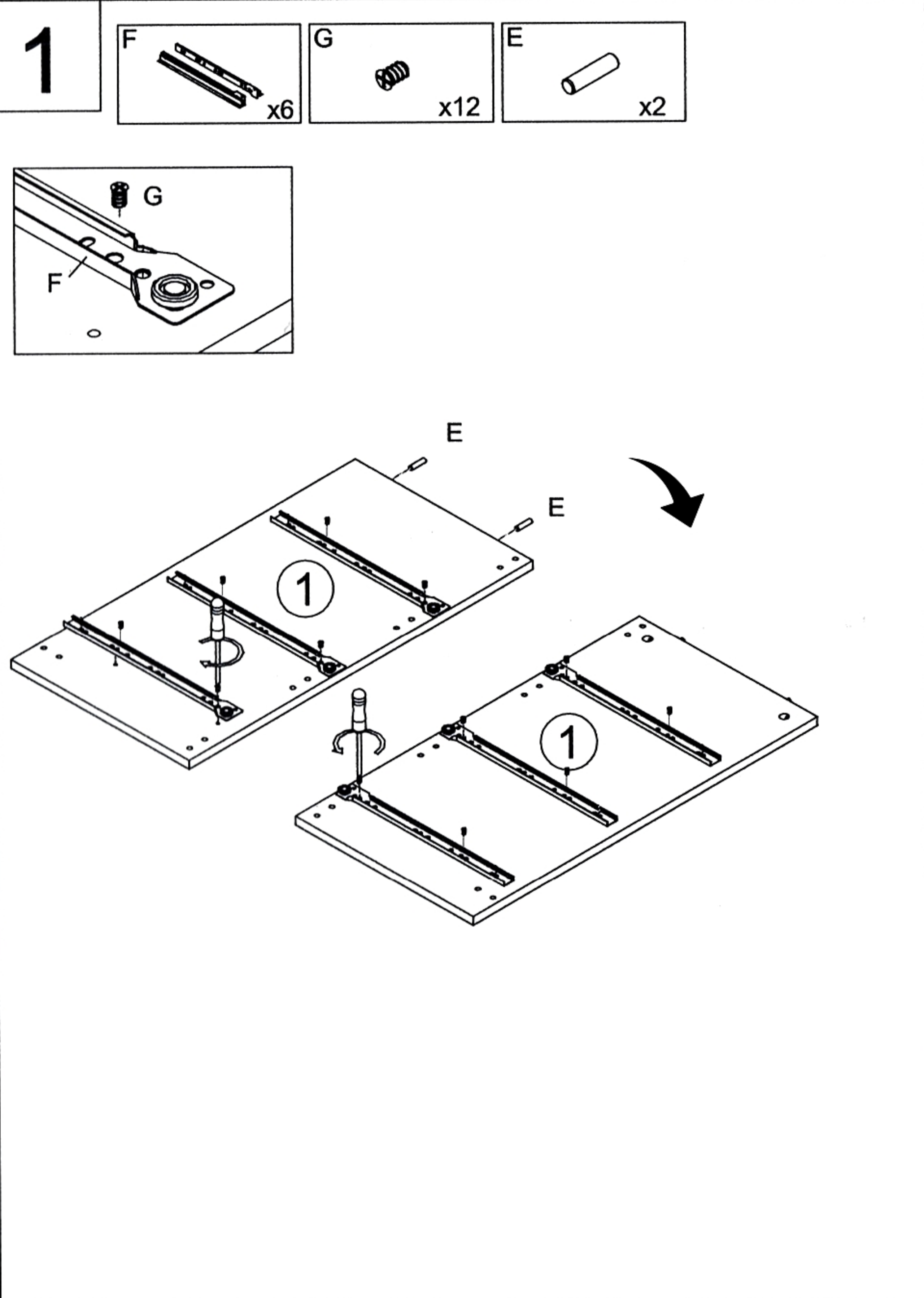
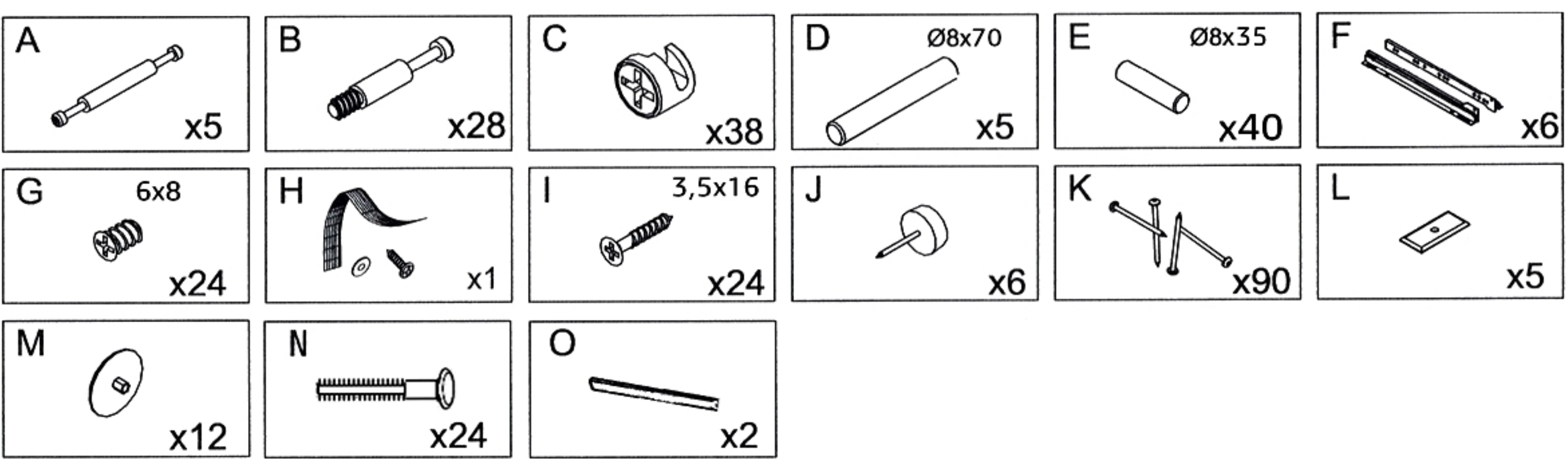


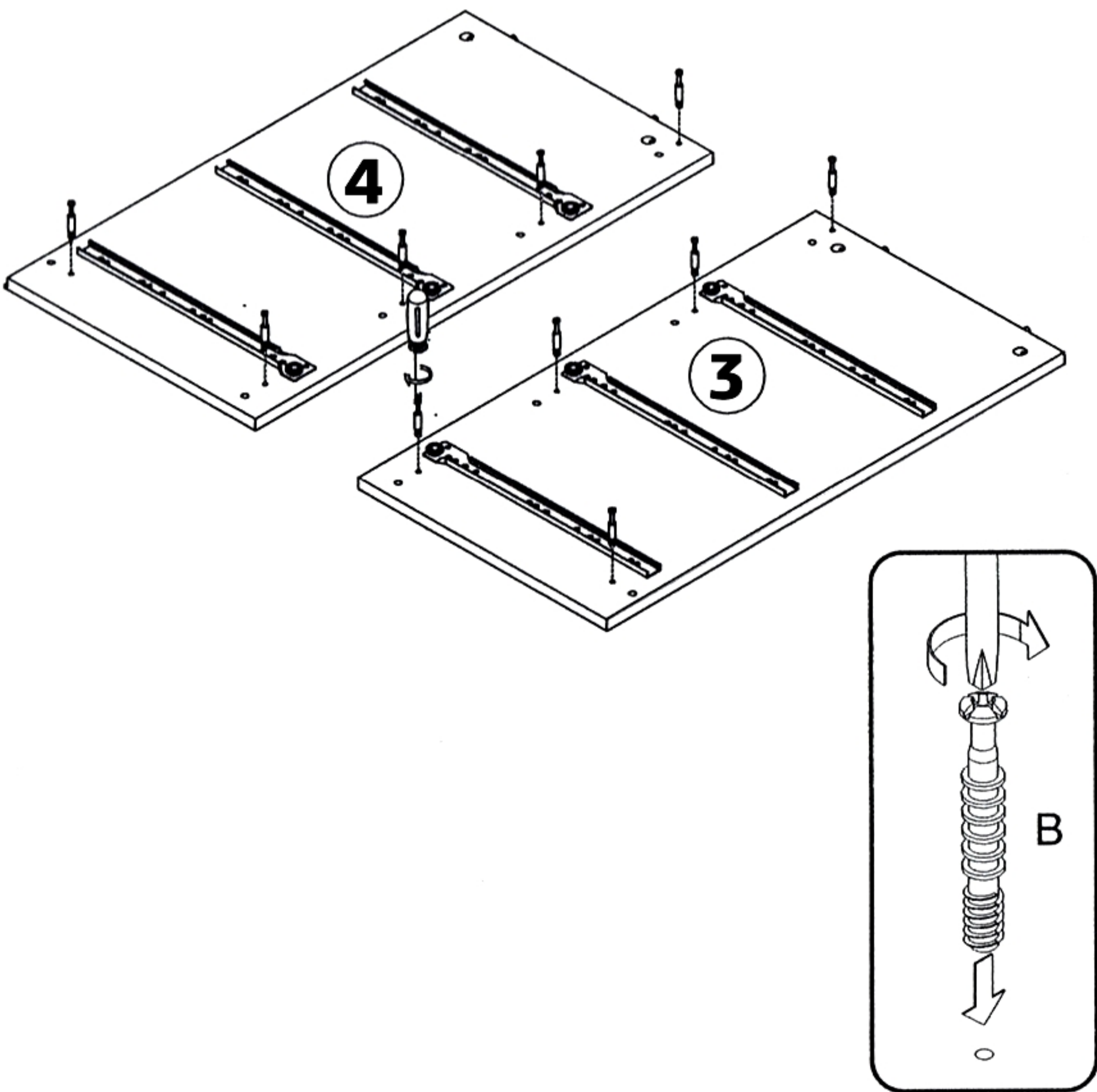
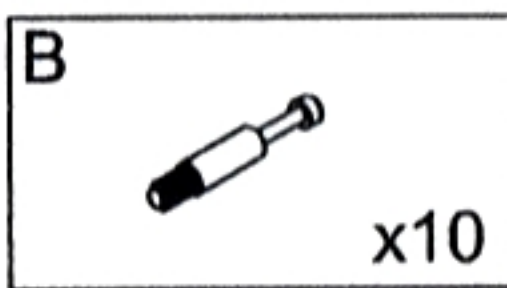
# K120 - K140



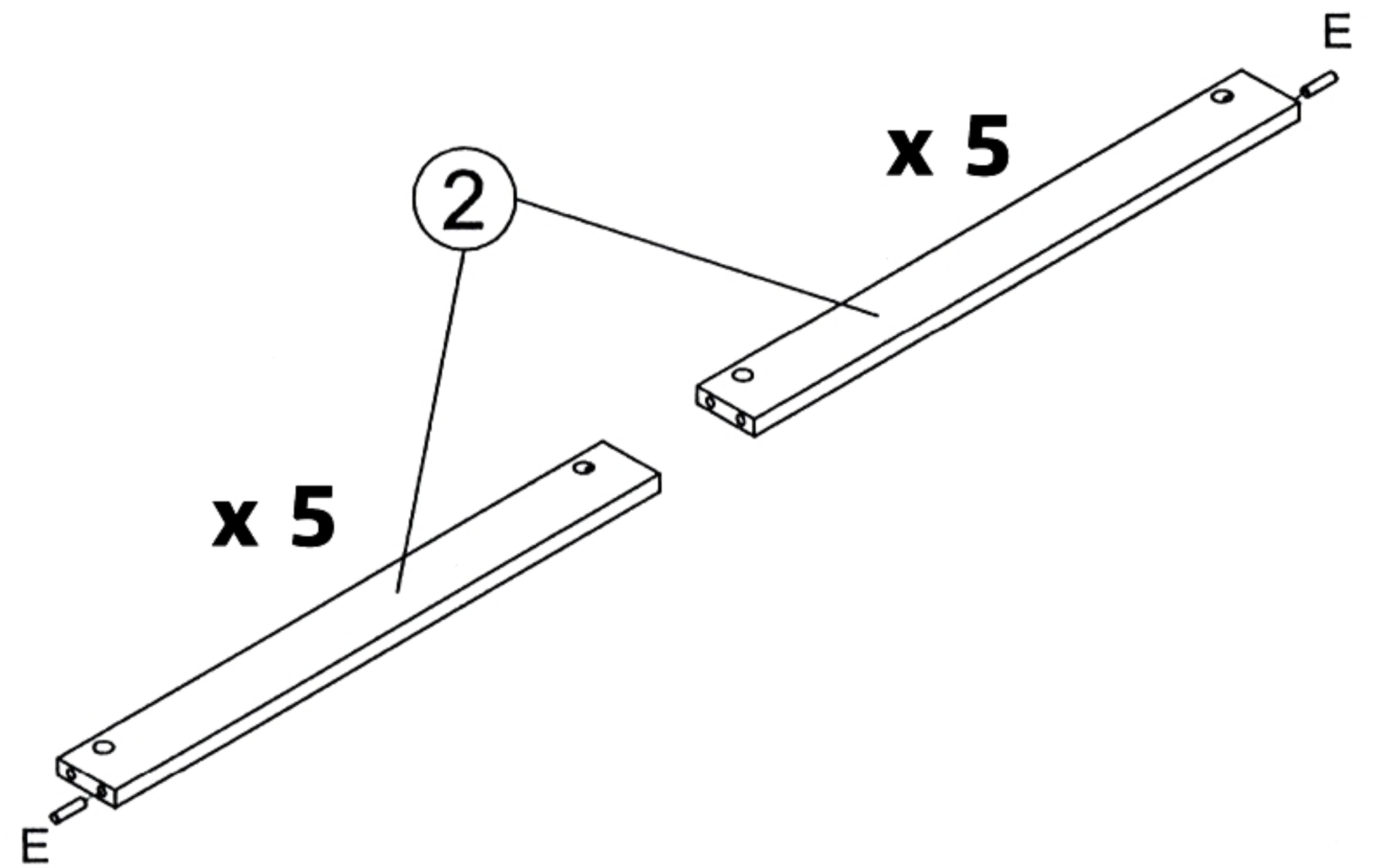
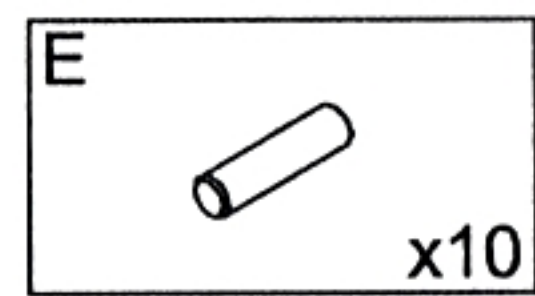
1	x	1
2	x	10
3	x	1
4	x	1
5	x	1
6	x	4
7	x	3
8	x	3
9	x	12
10	x	6
11	x	6



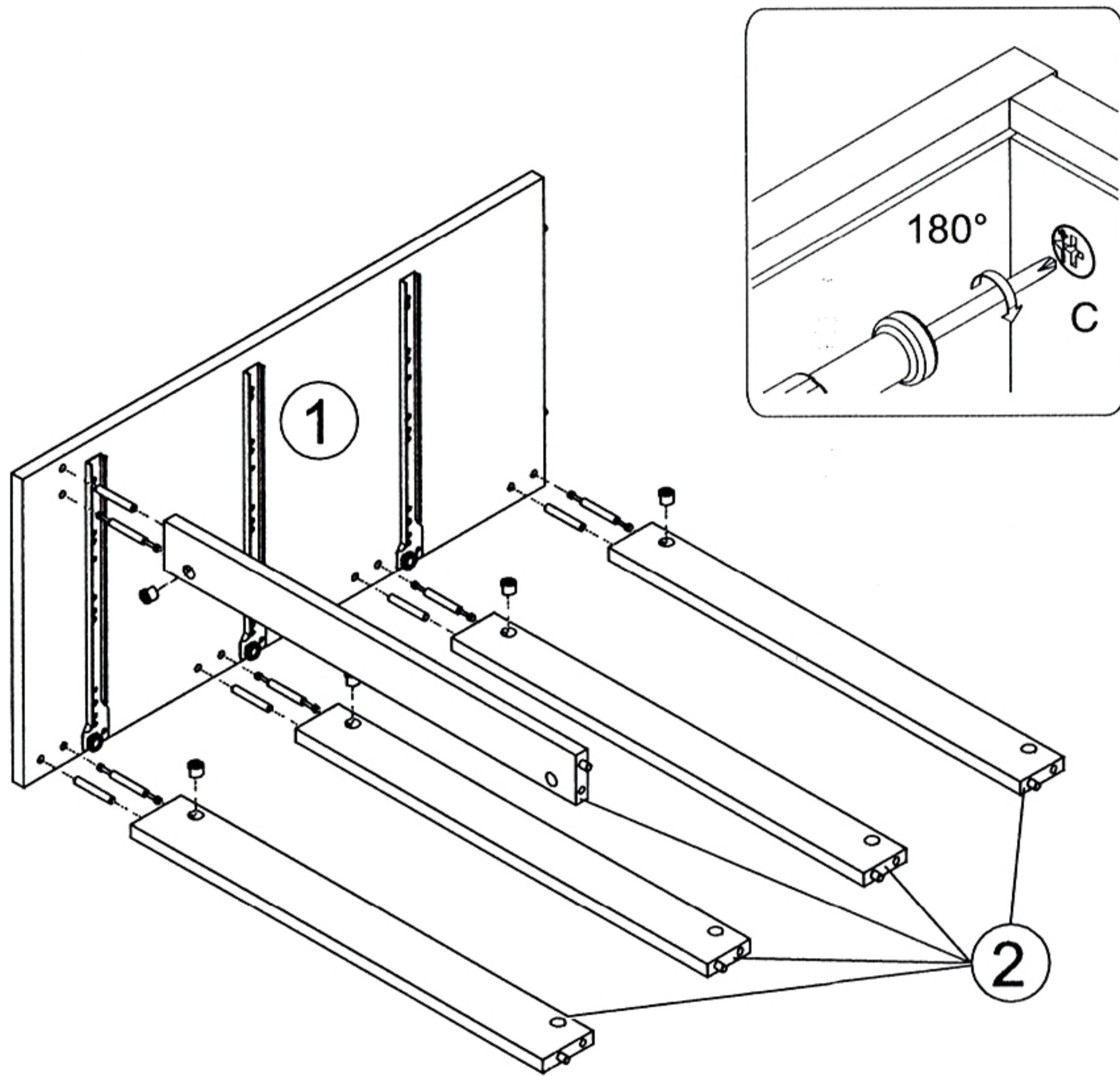
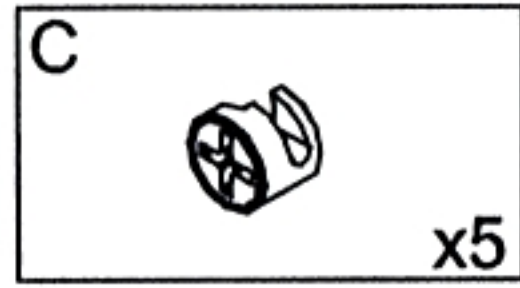
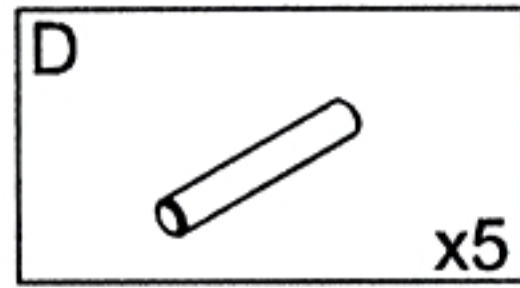
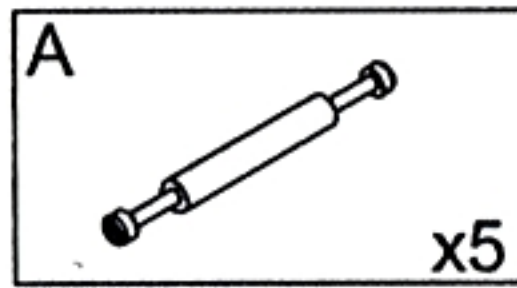
3



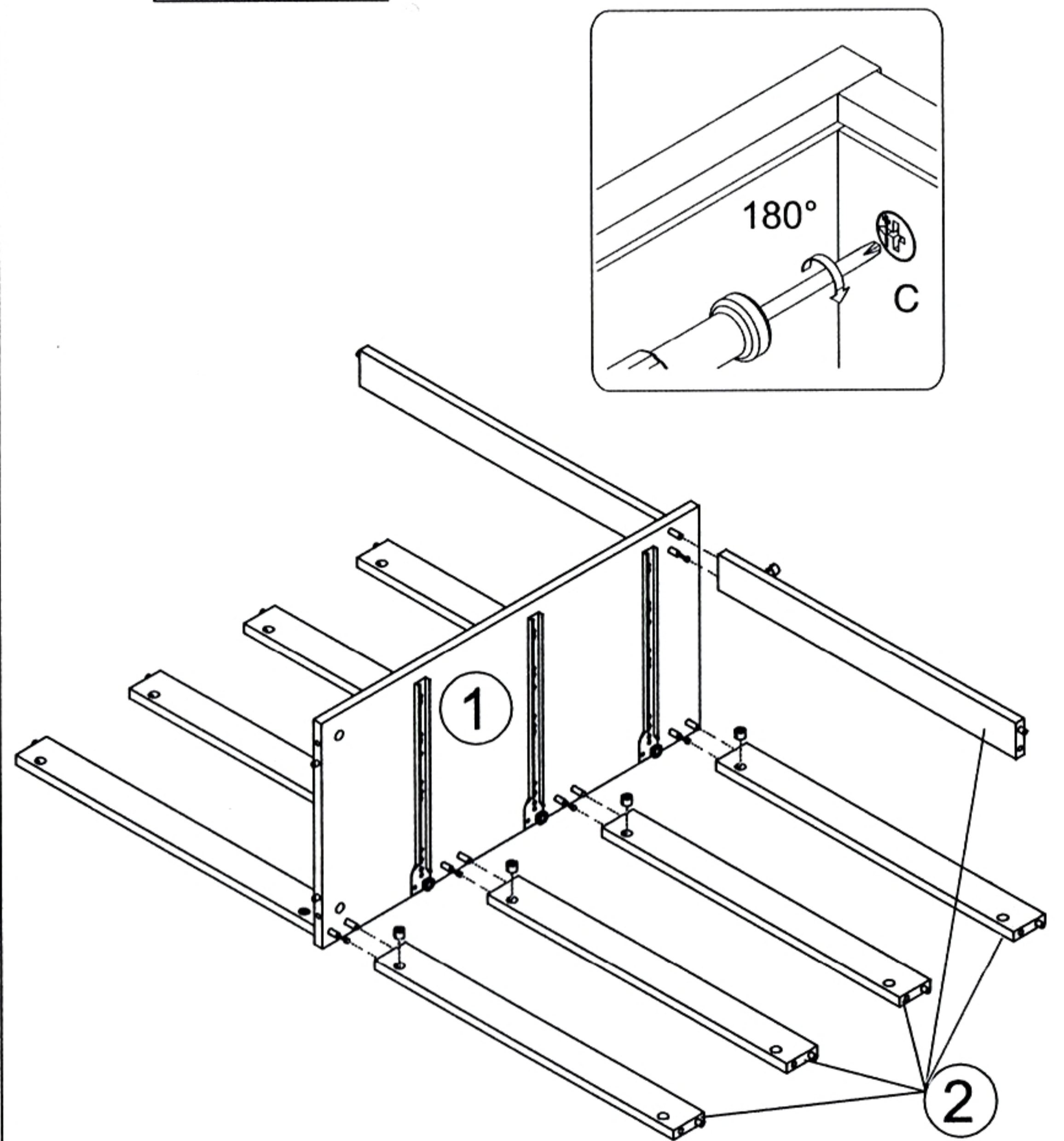
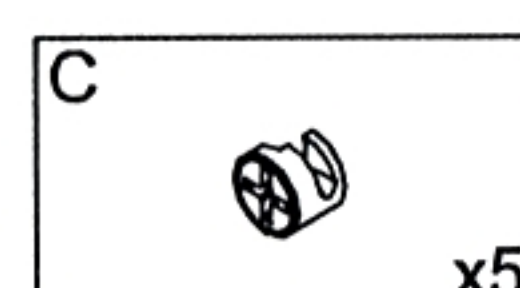
4



5

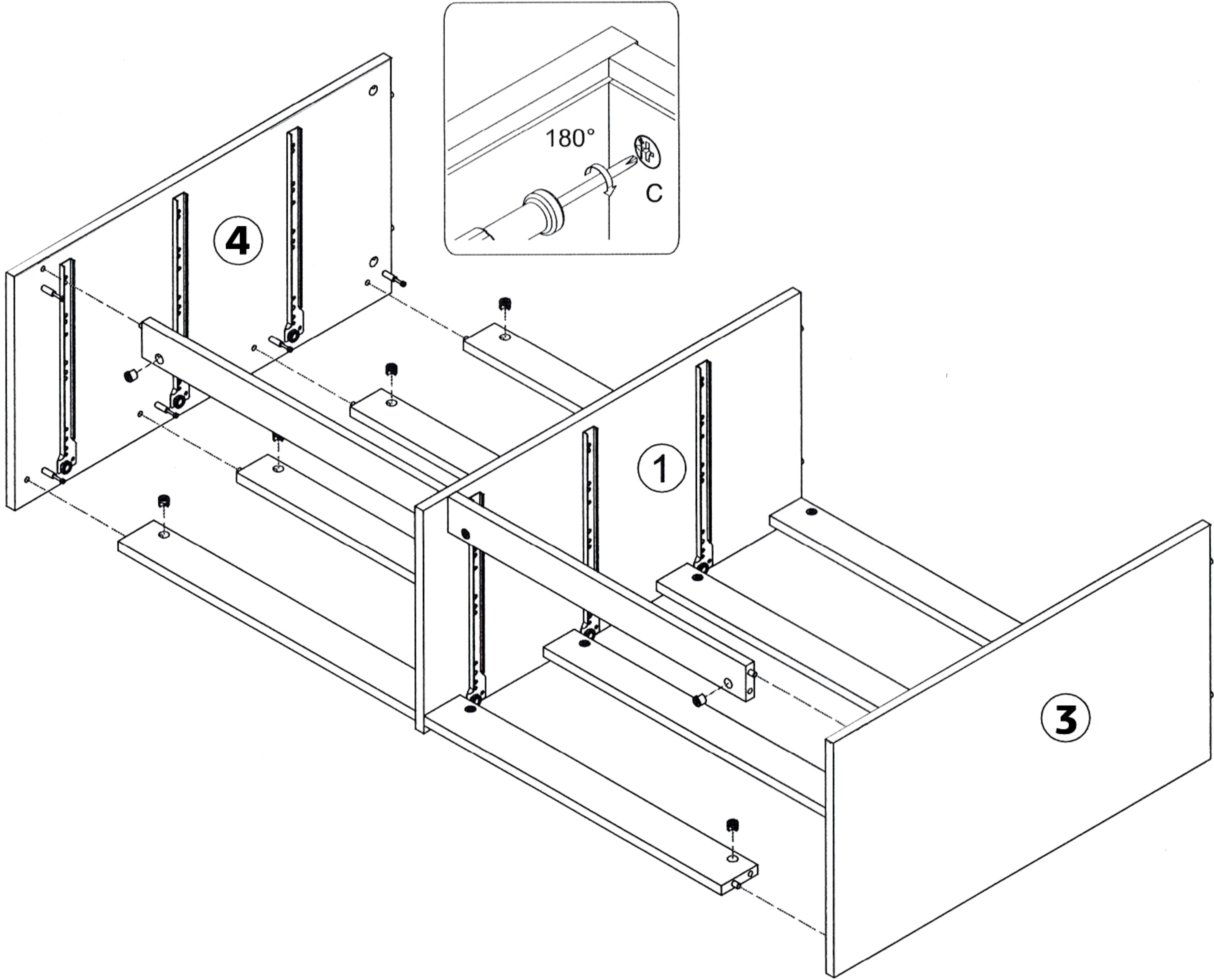


6



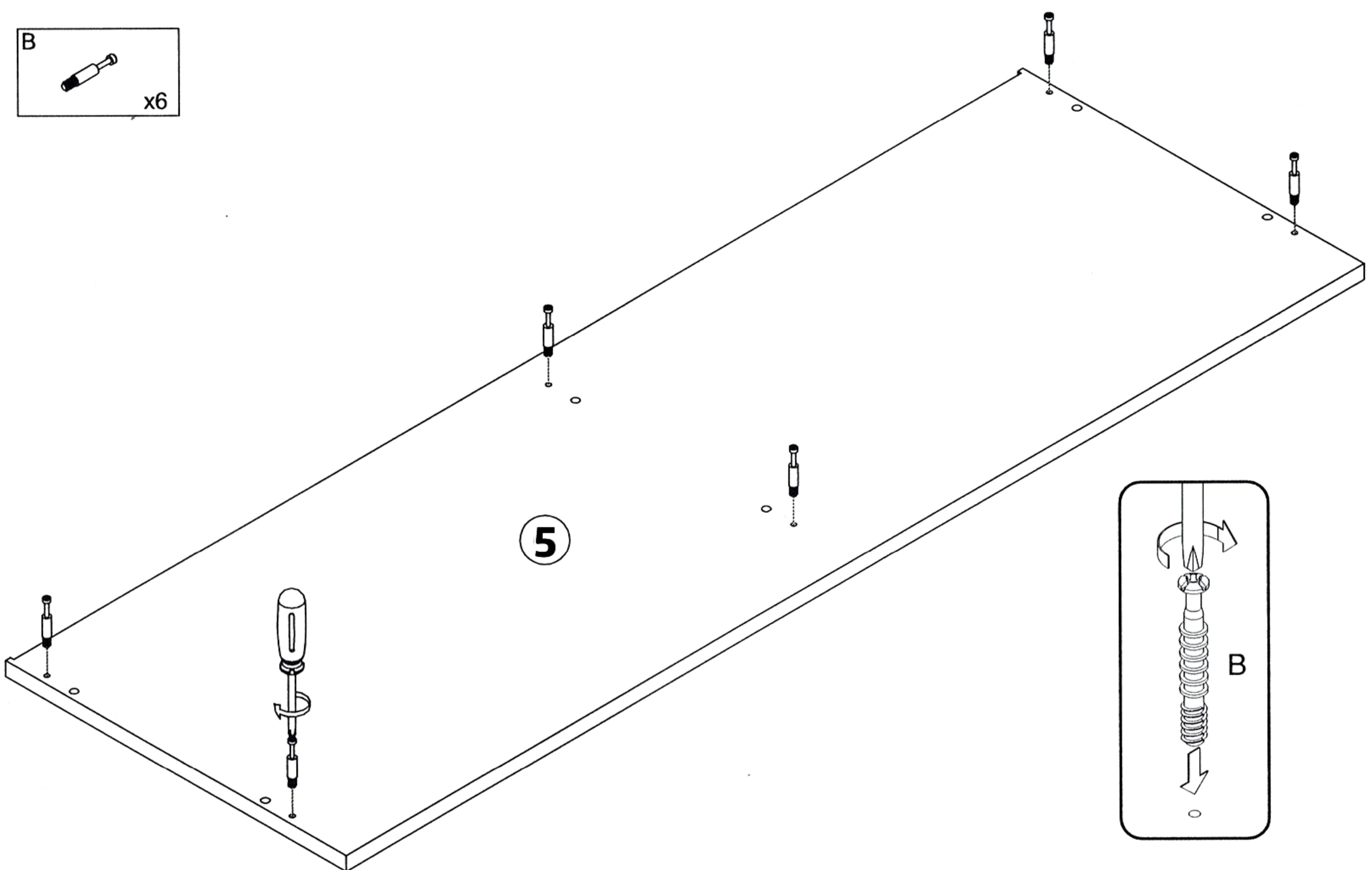
7

C  
x10

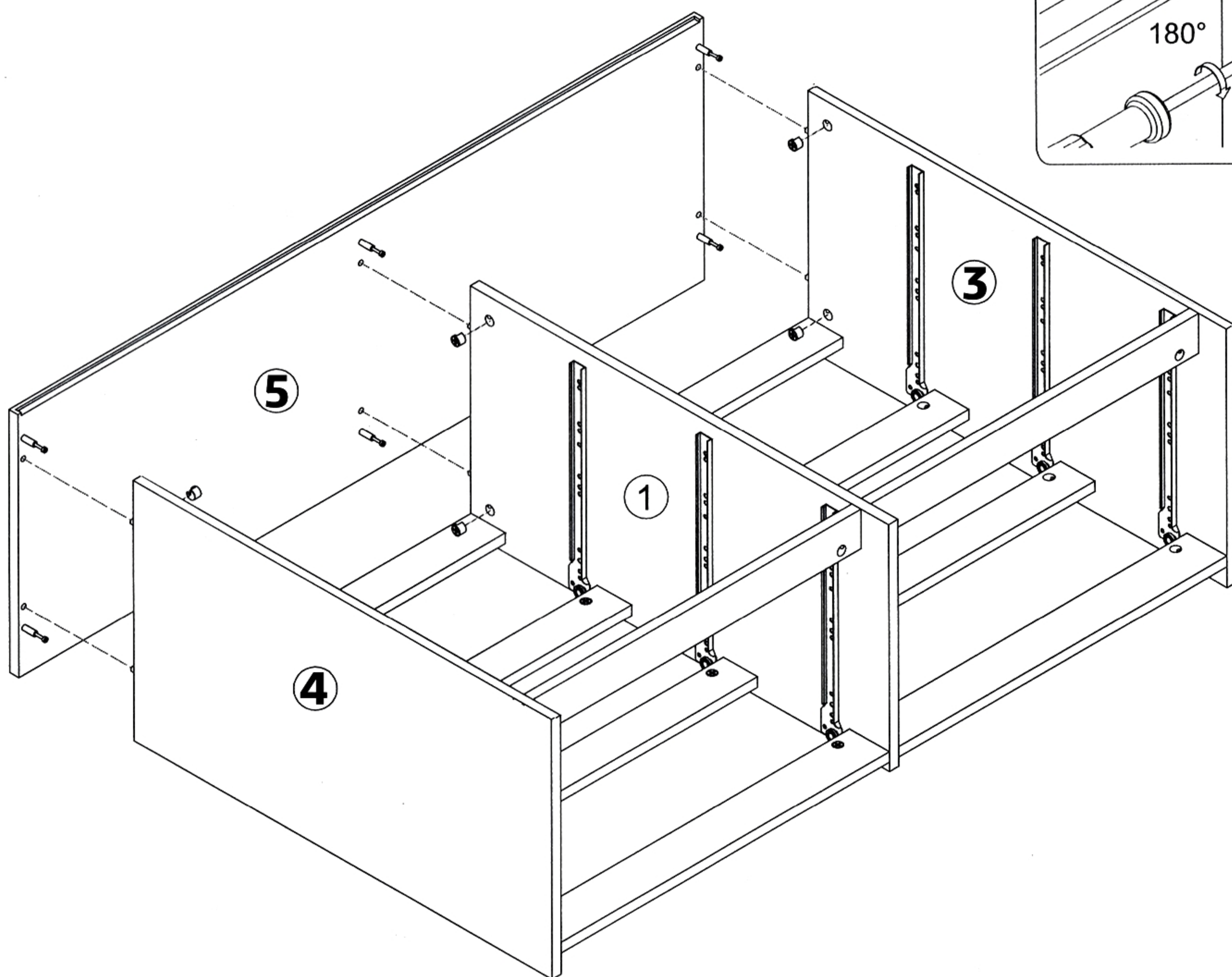
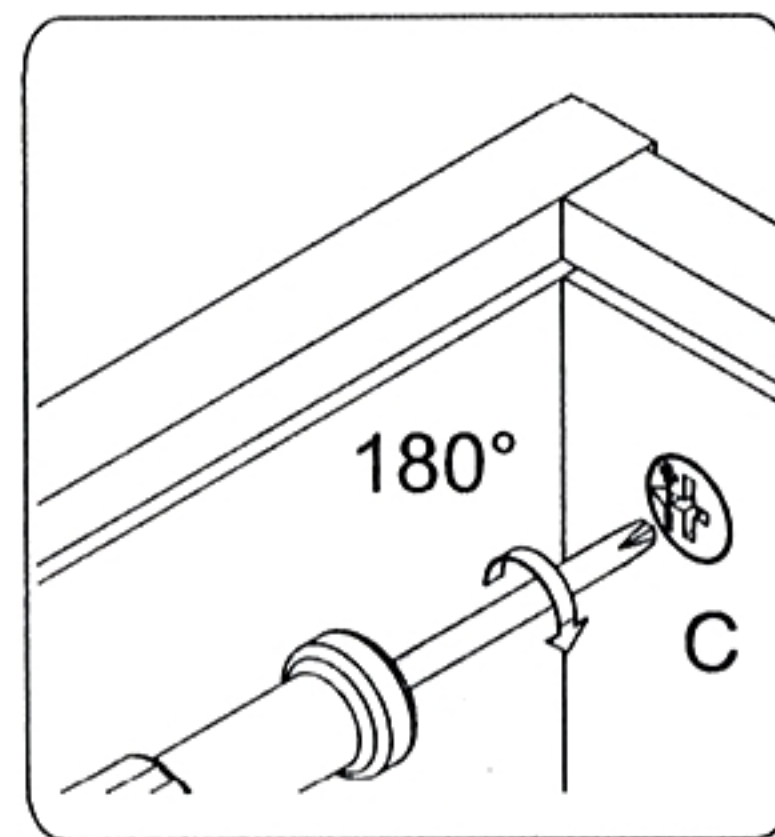
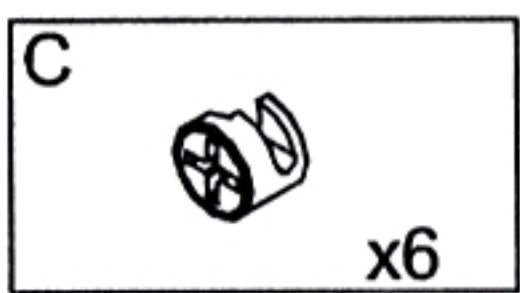


8

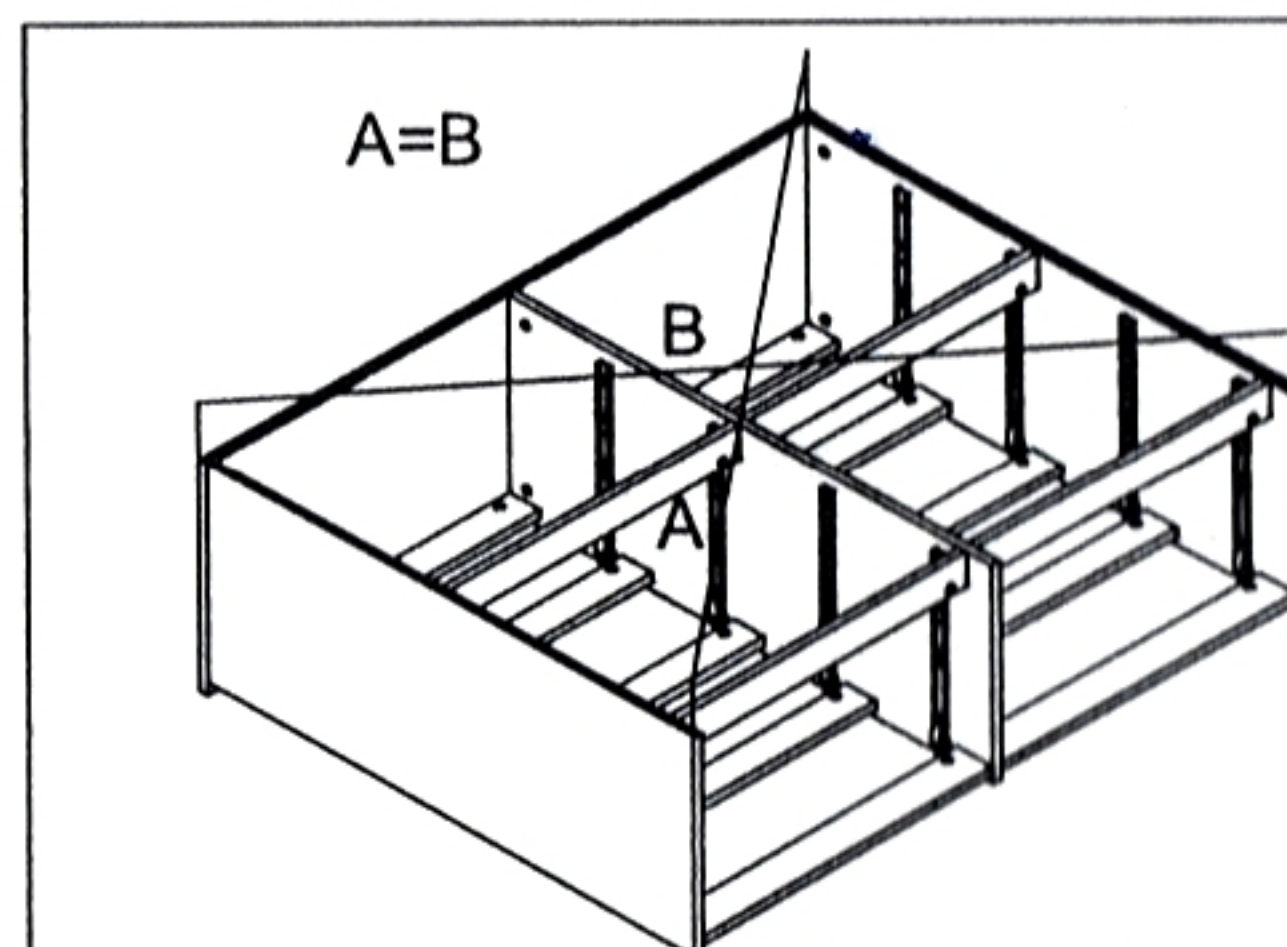
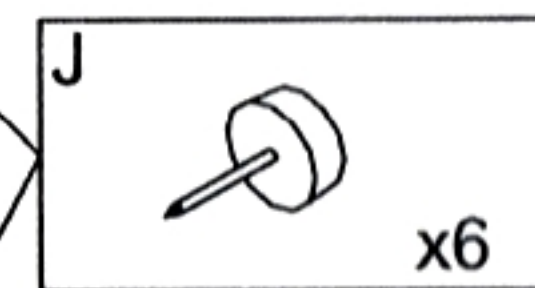
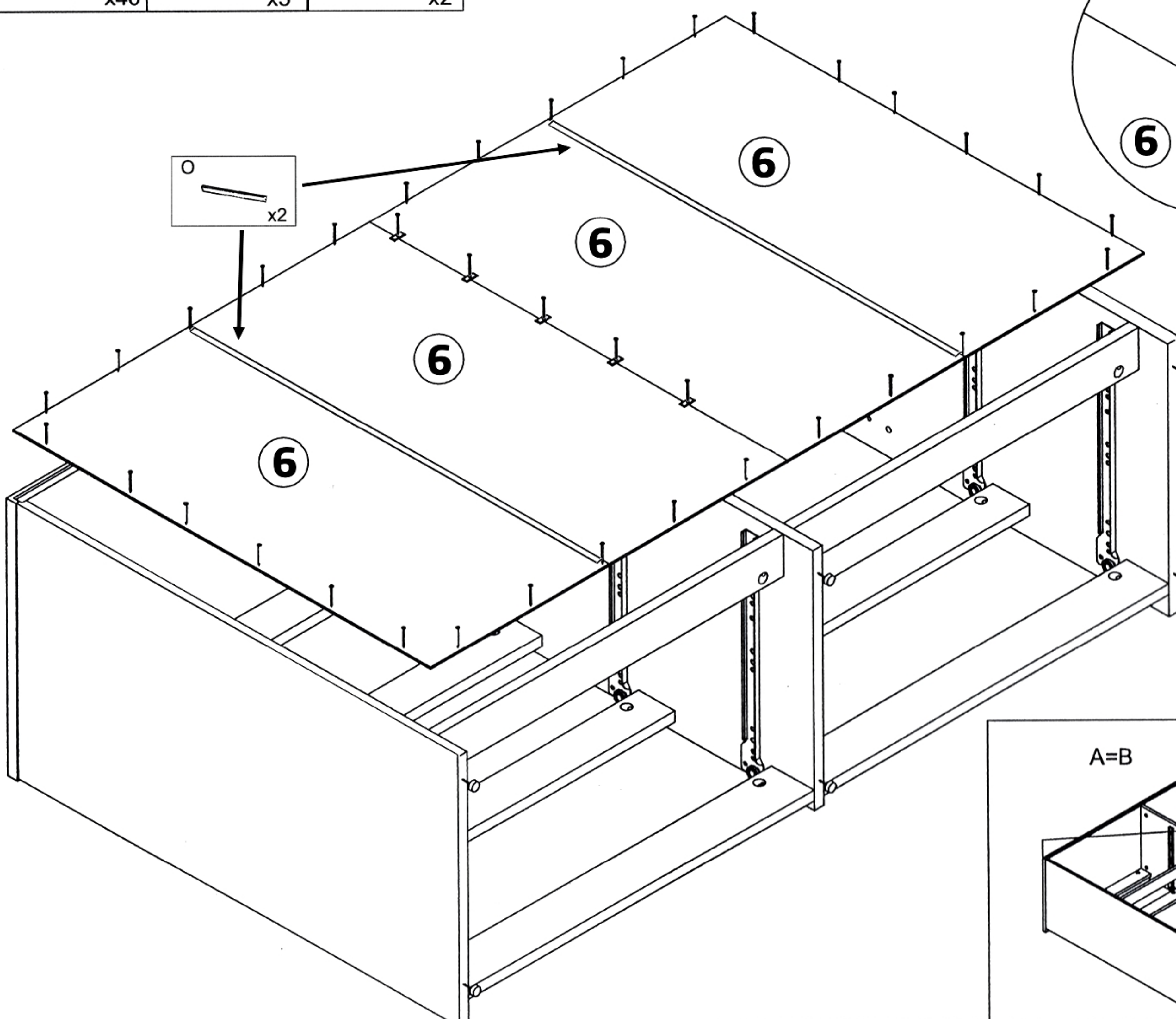
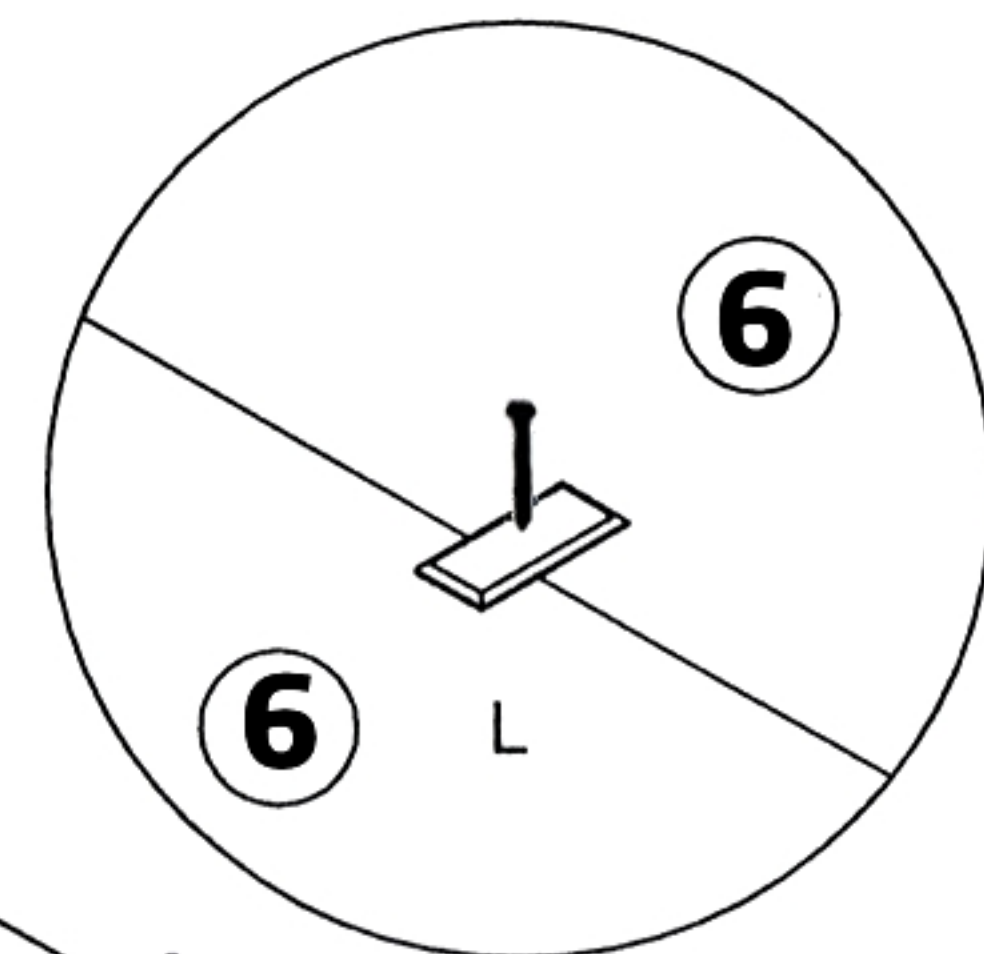
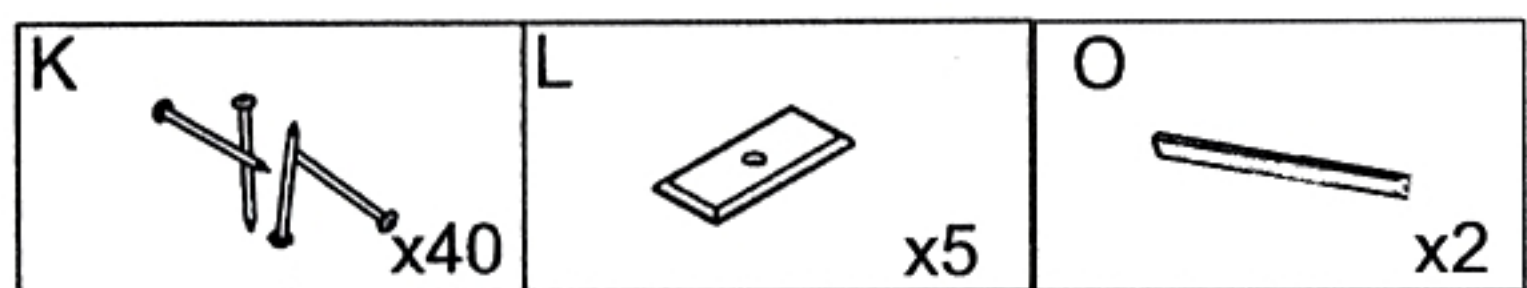
B  
x6



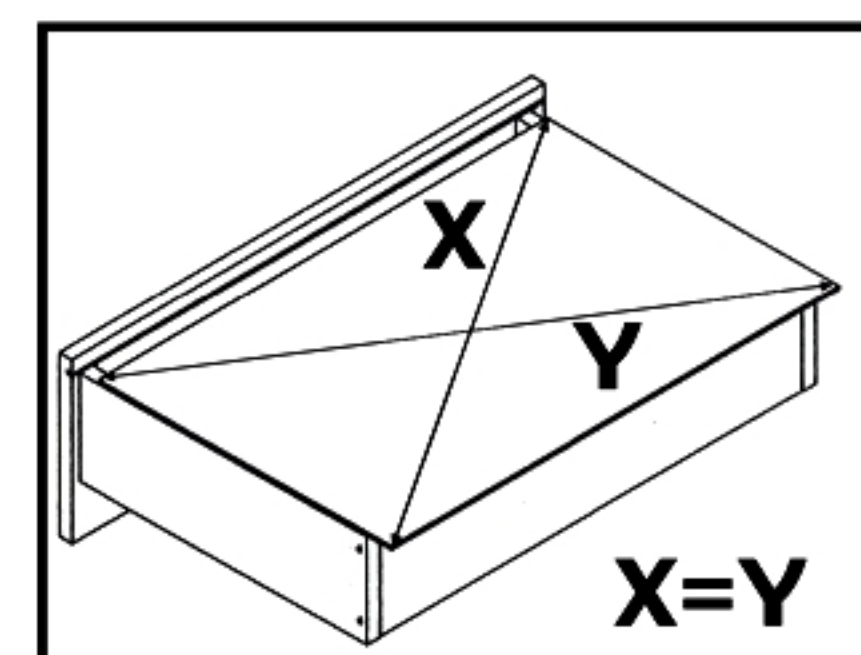
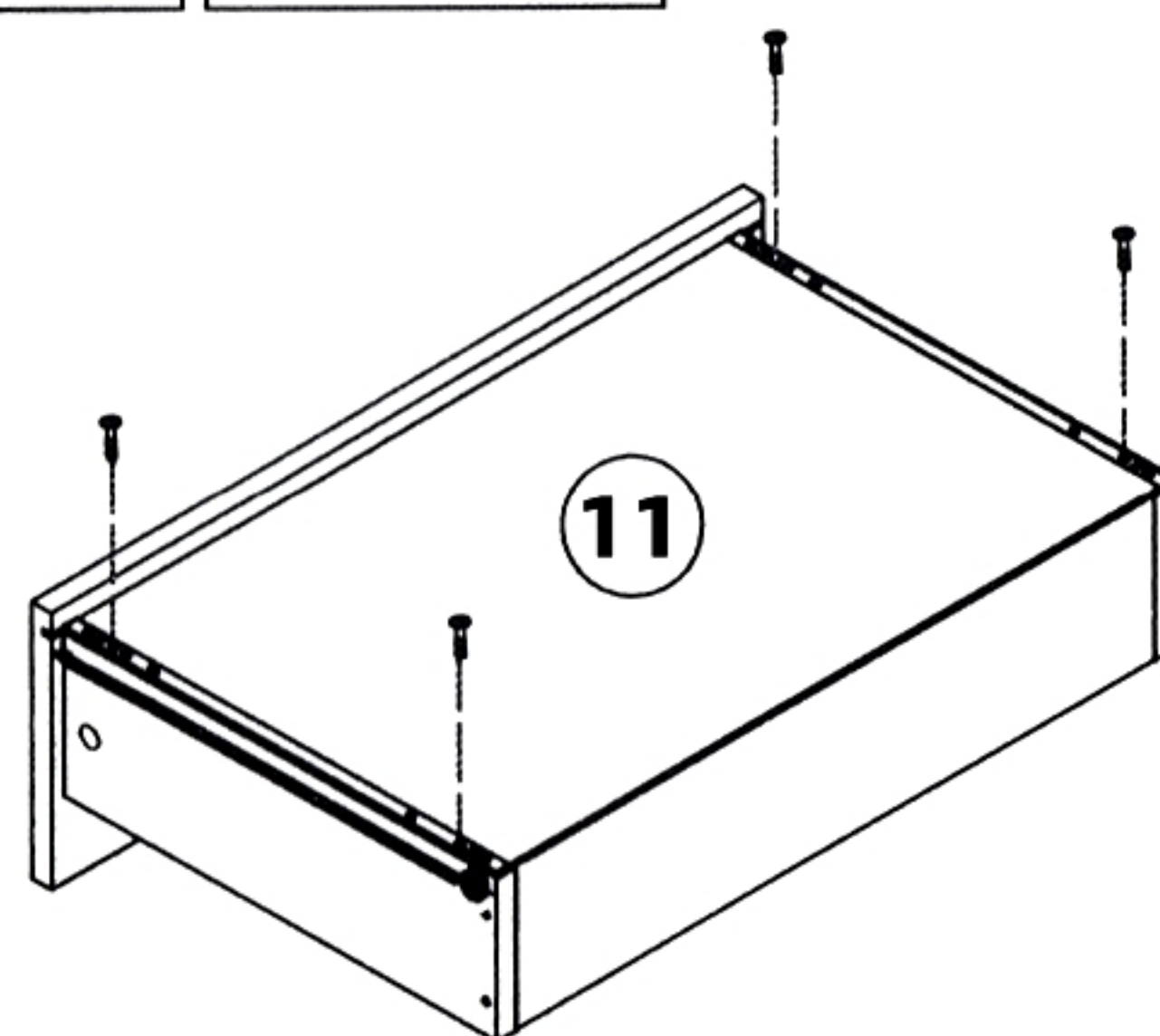
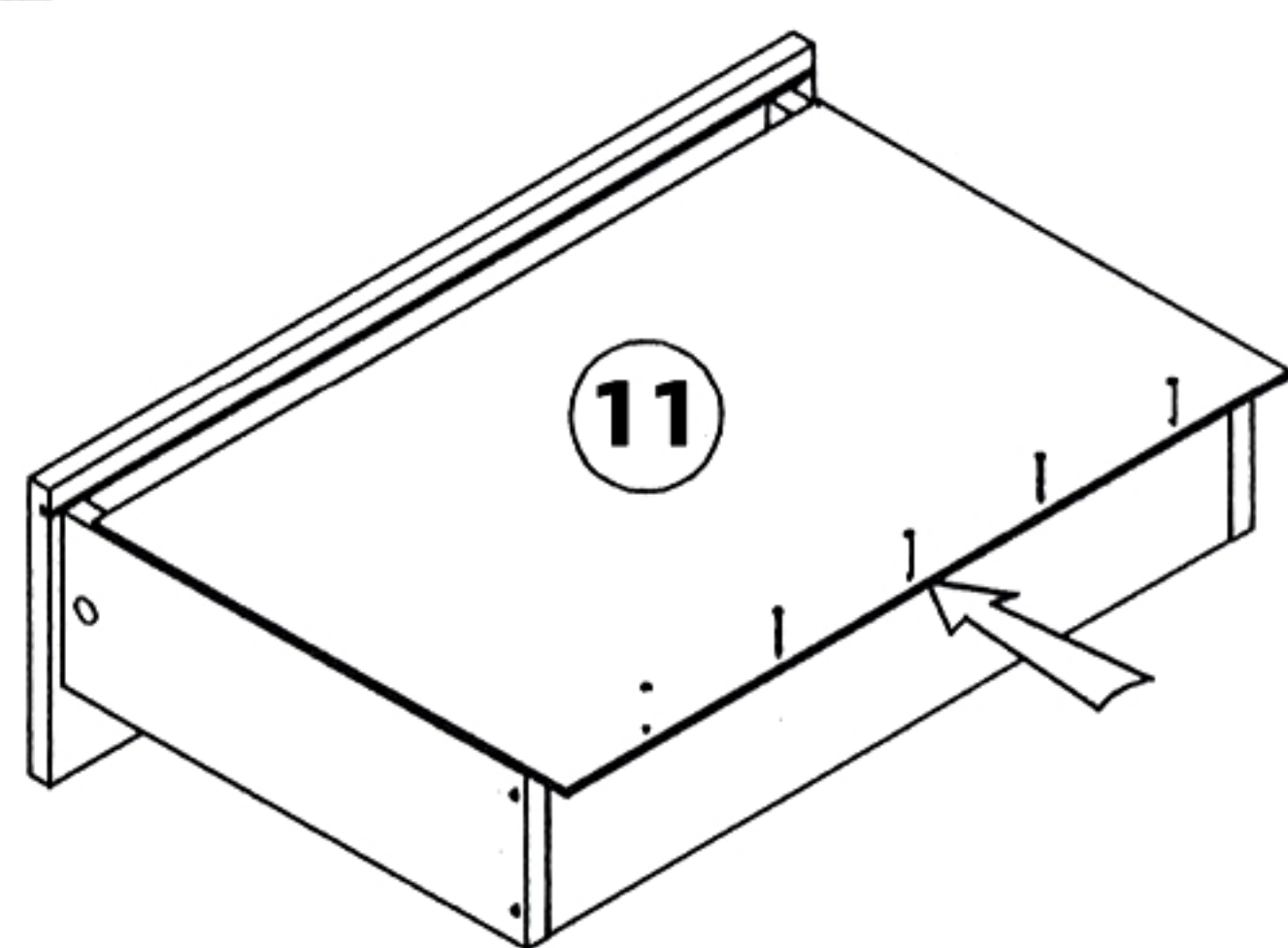
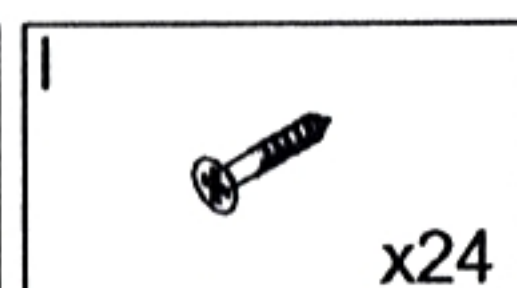
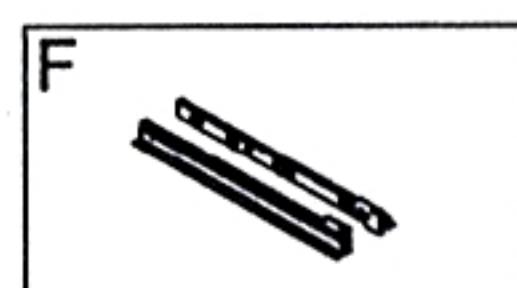
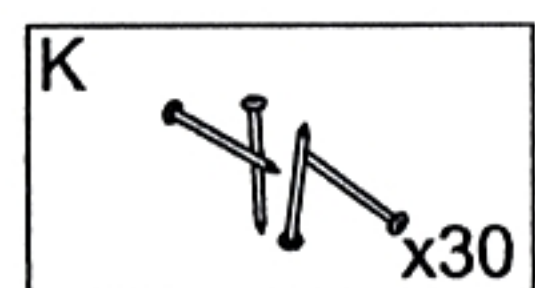
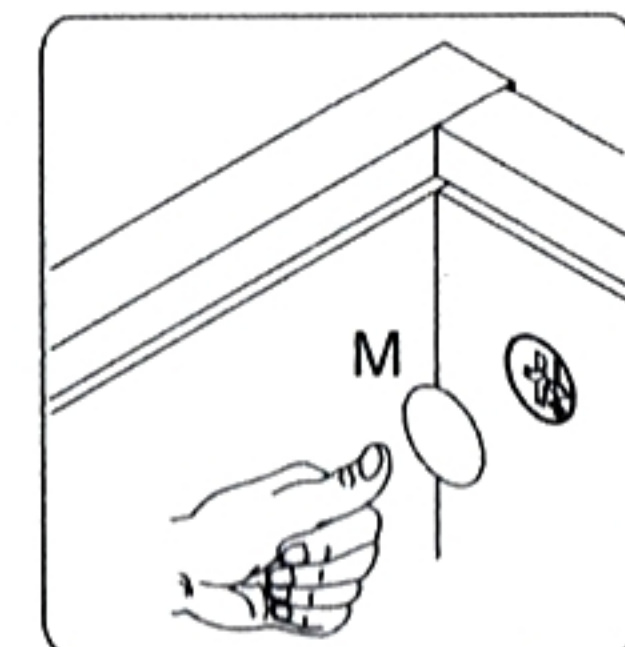
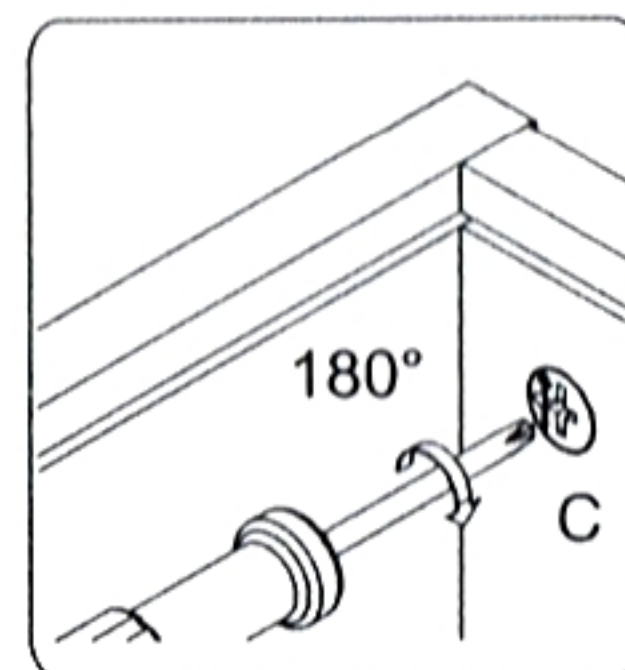
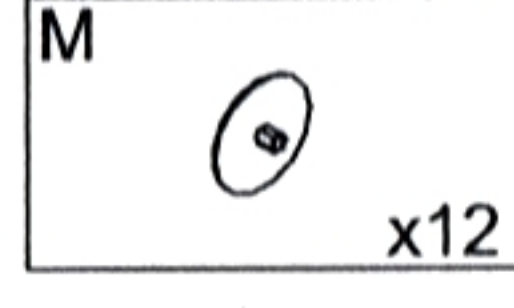
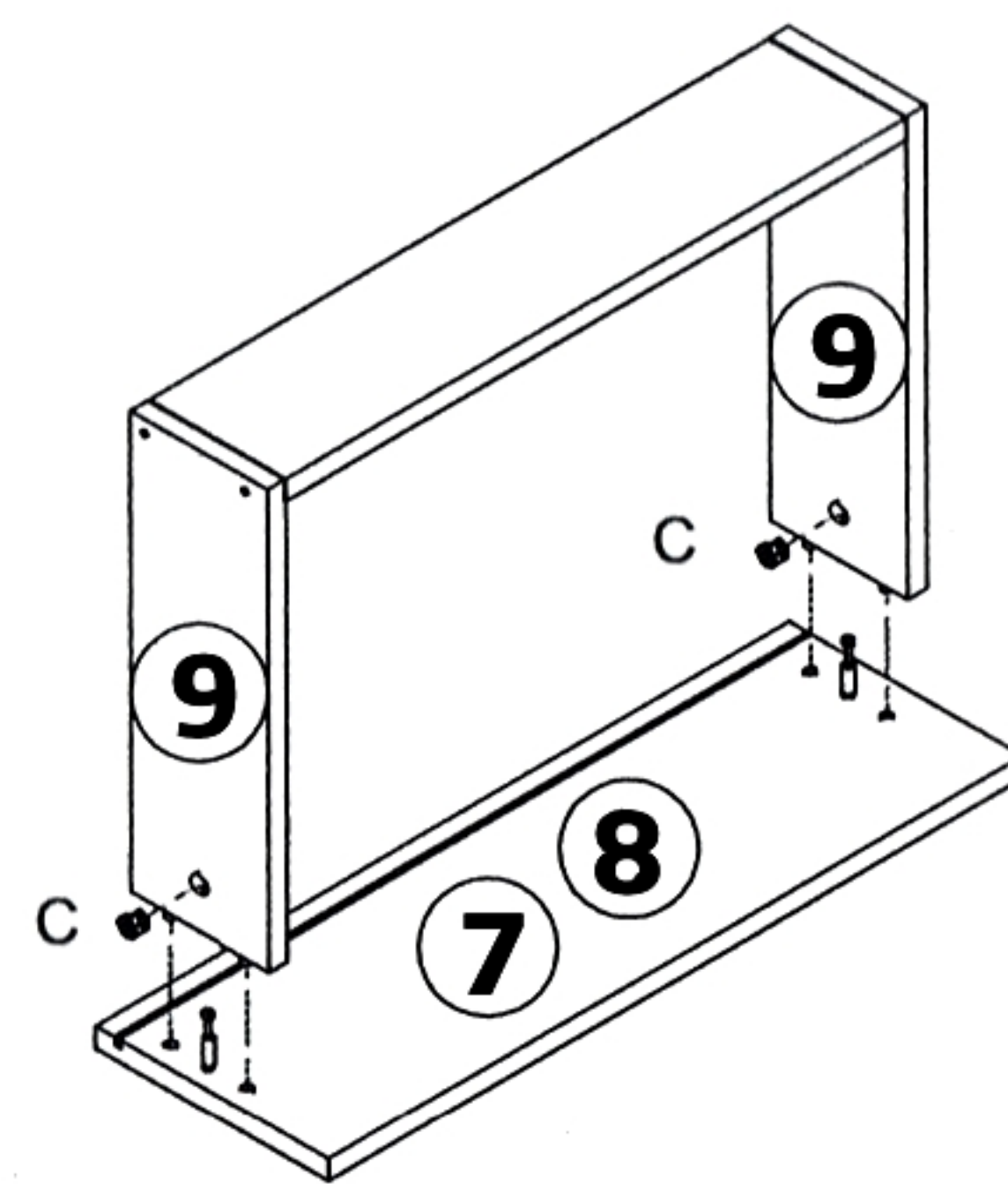
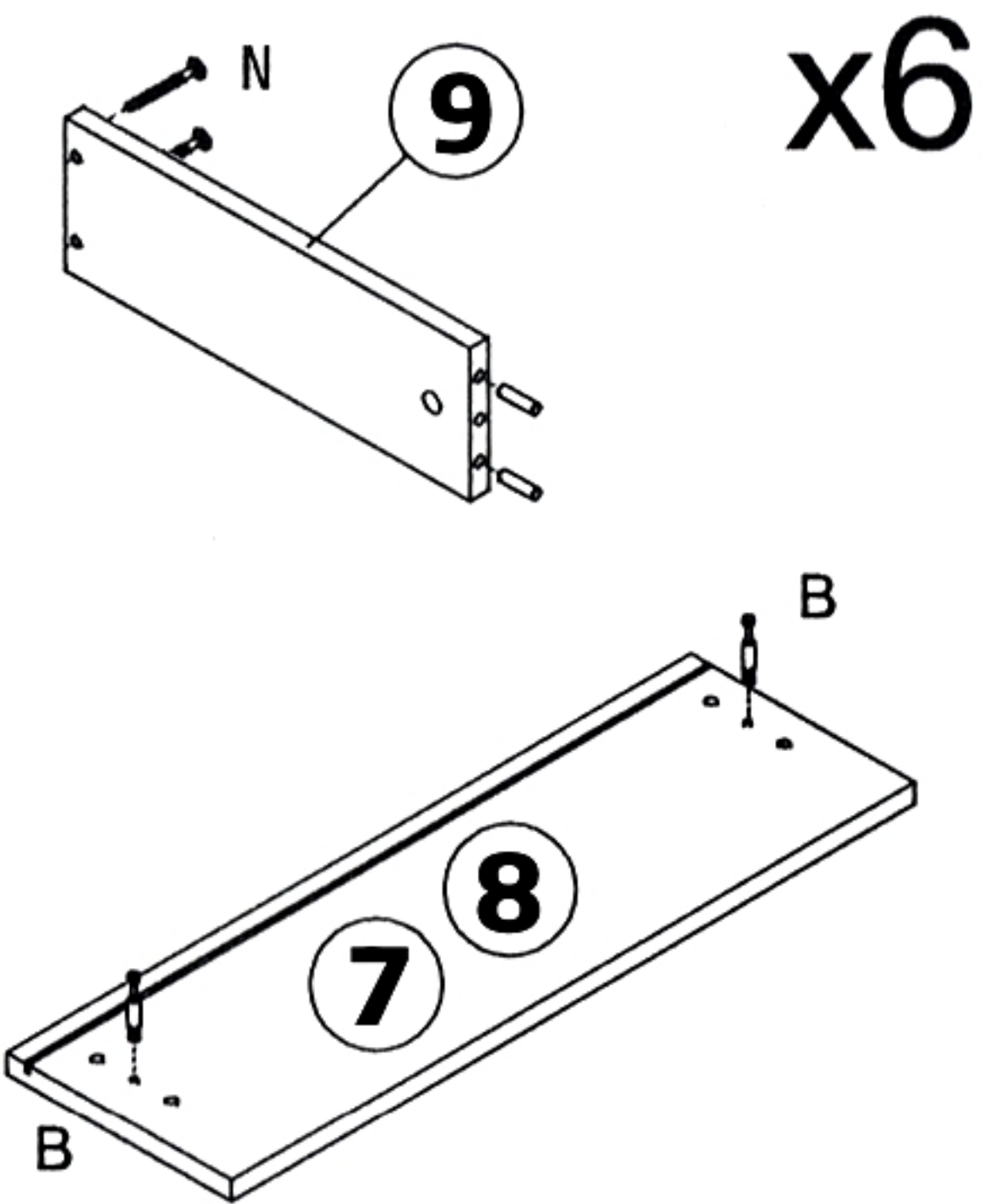
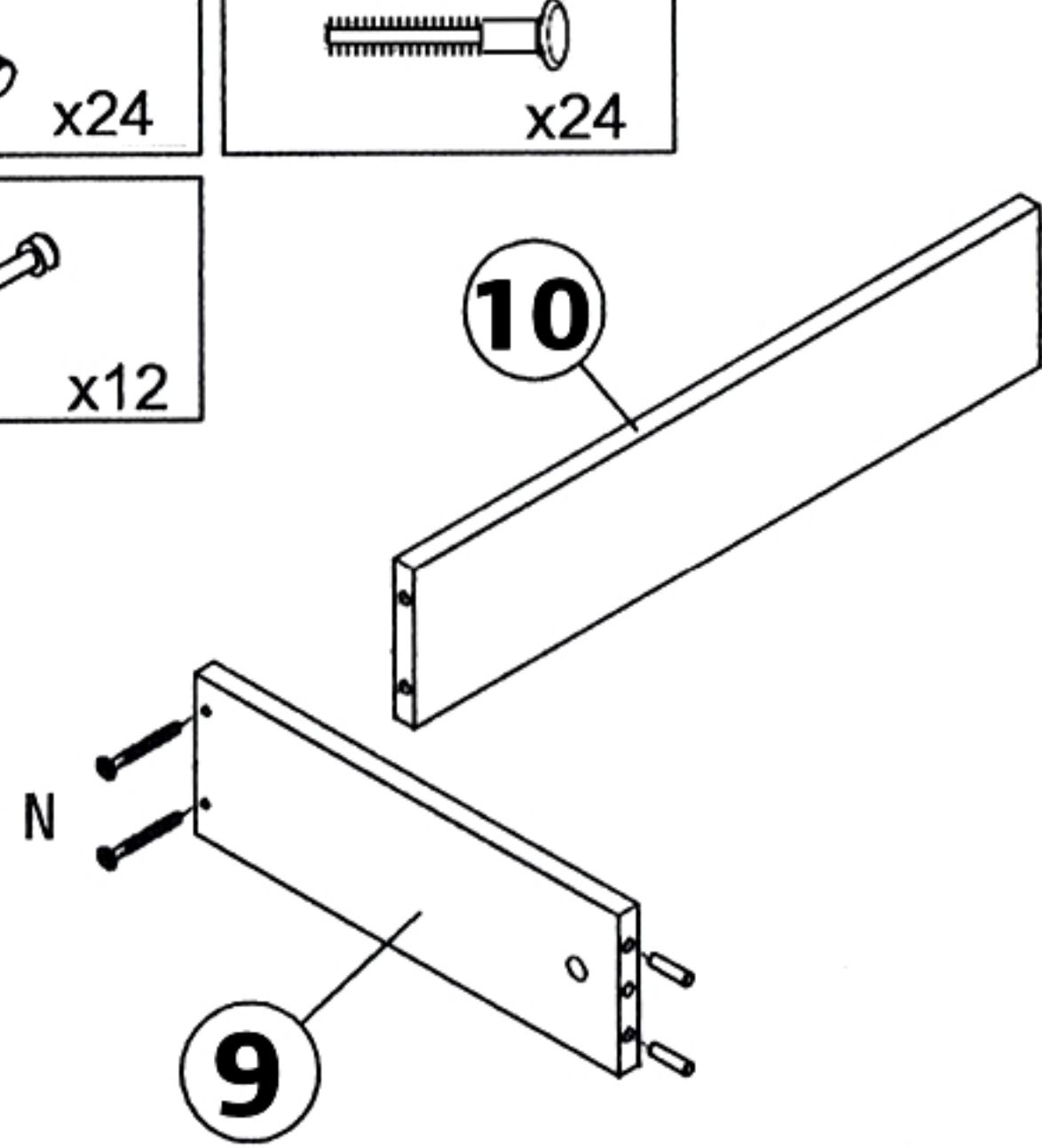
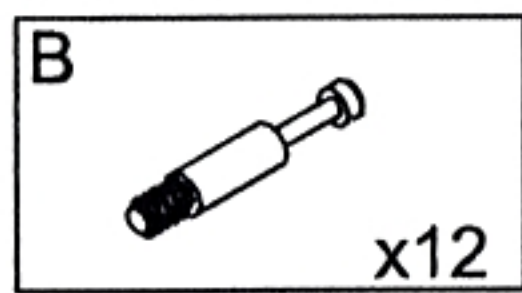
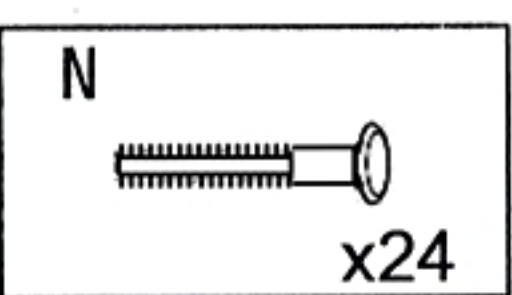
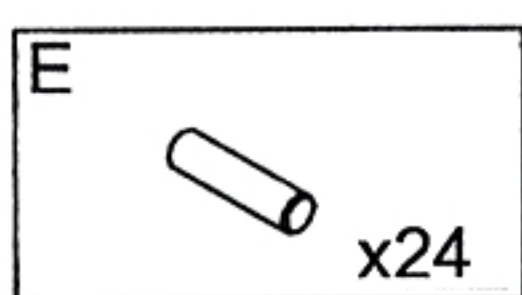
9



10



# 11



# 12

