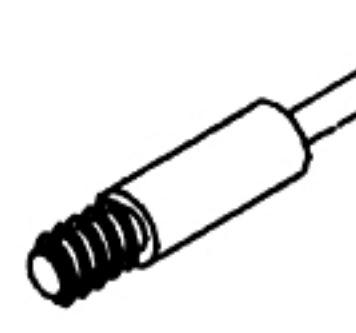

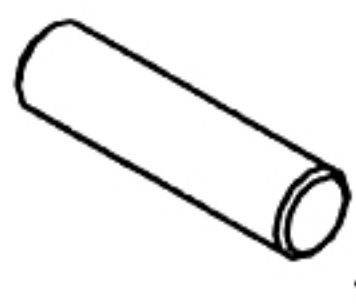
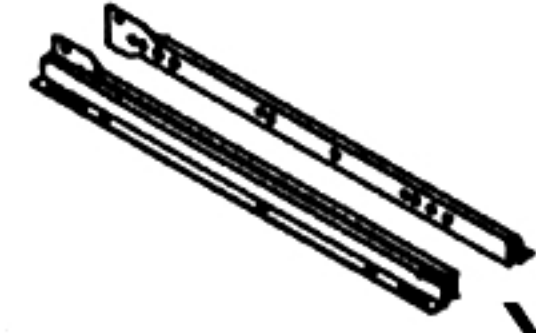




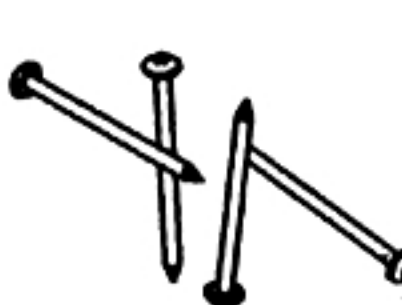
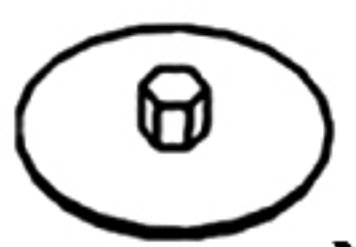
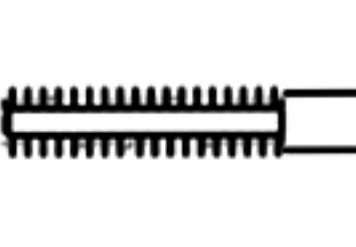
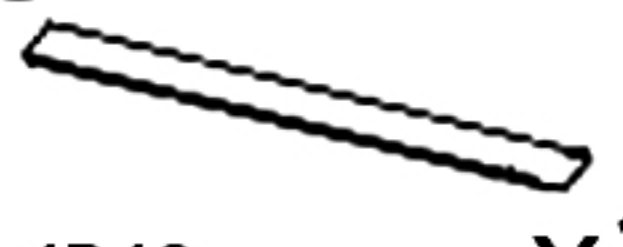
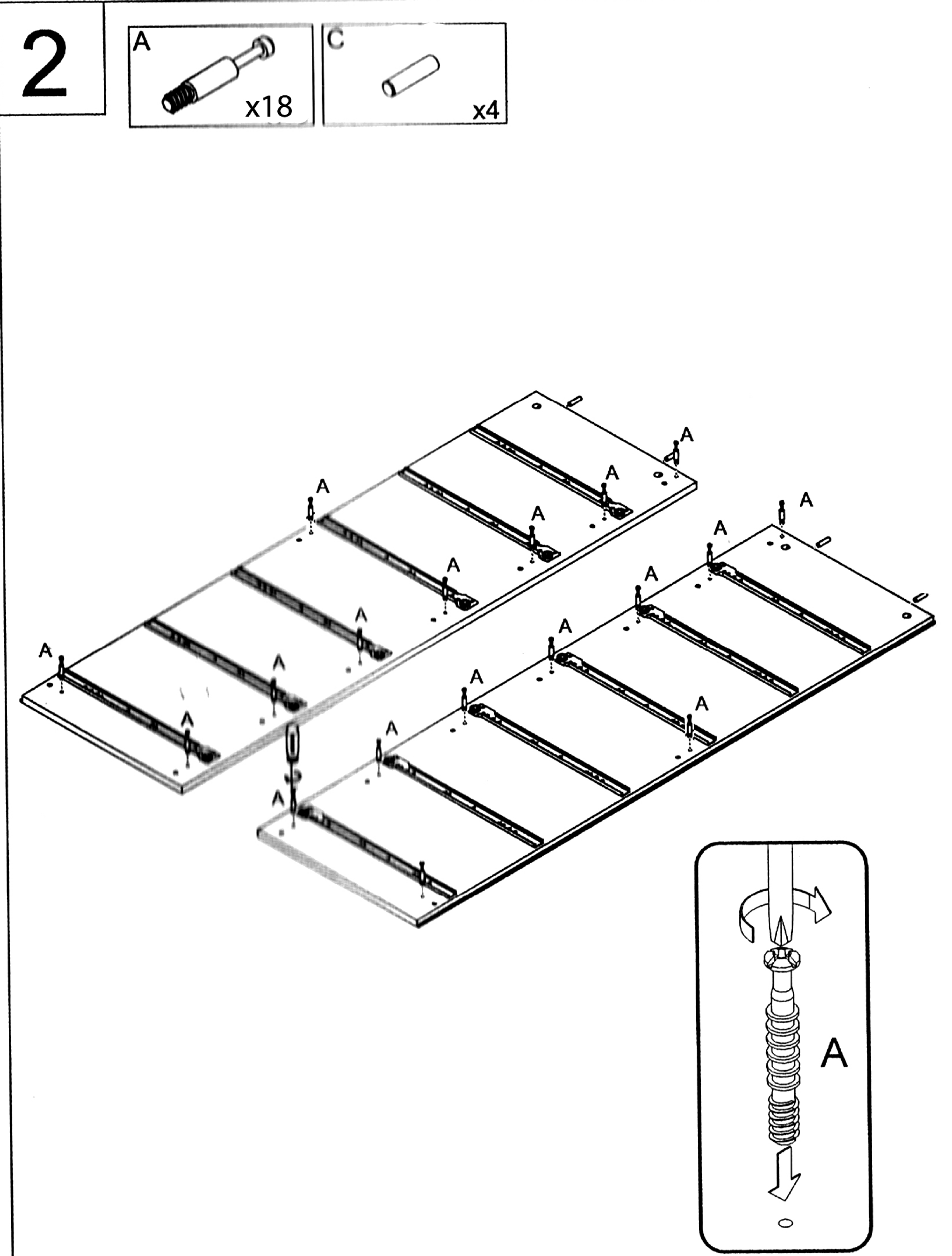
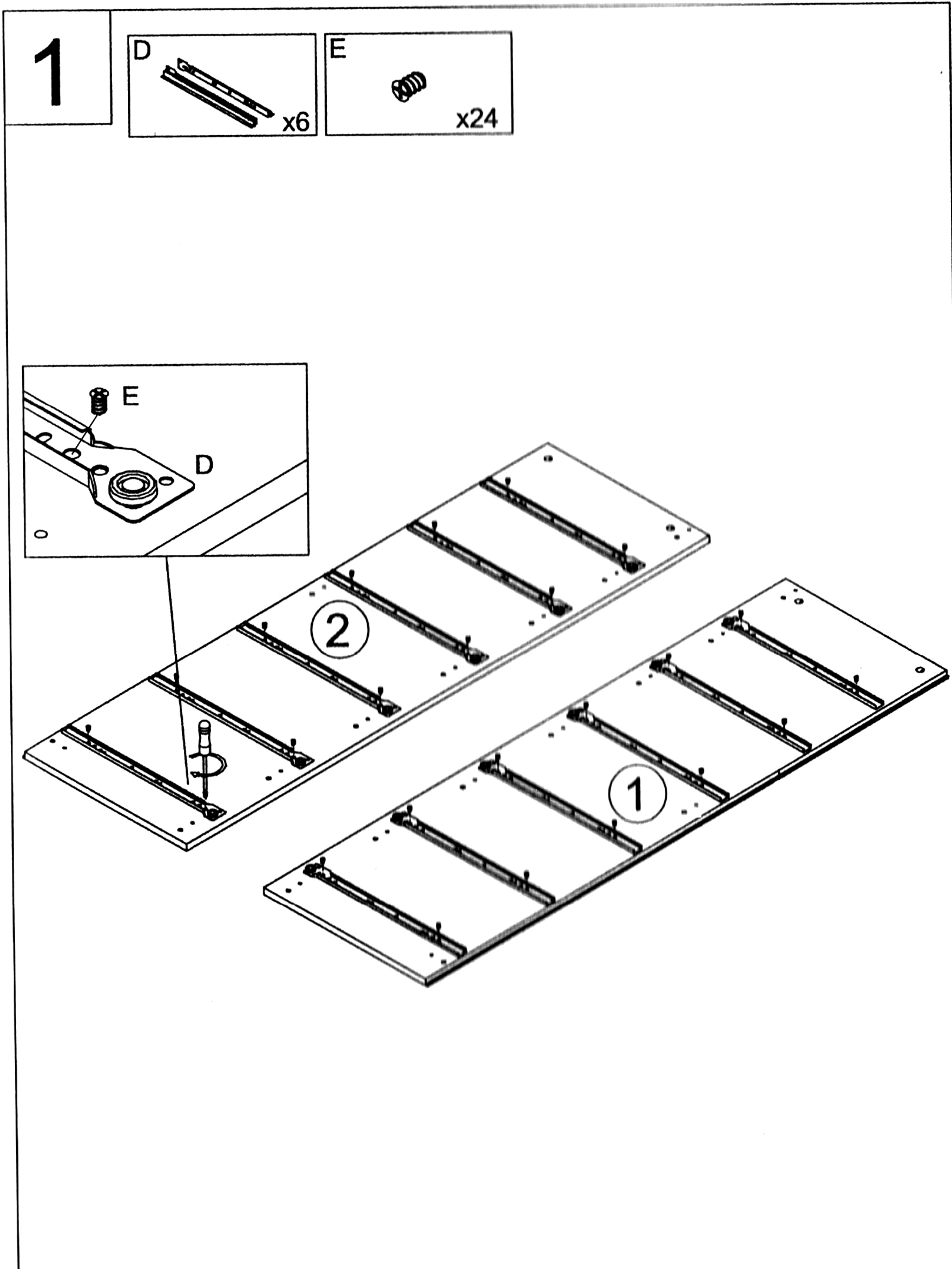
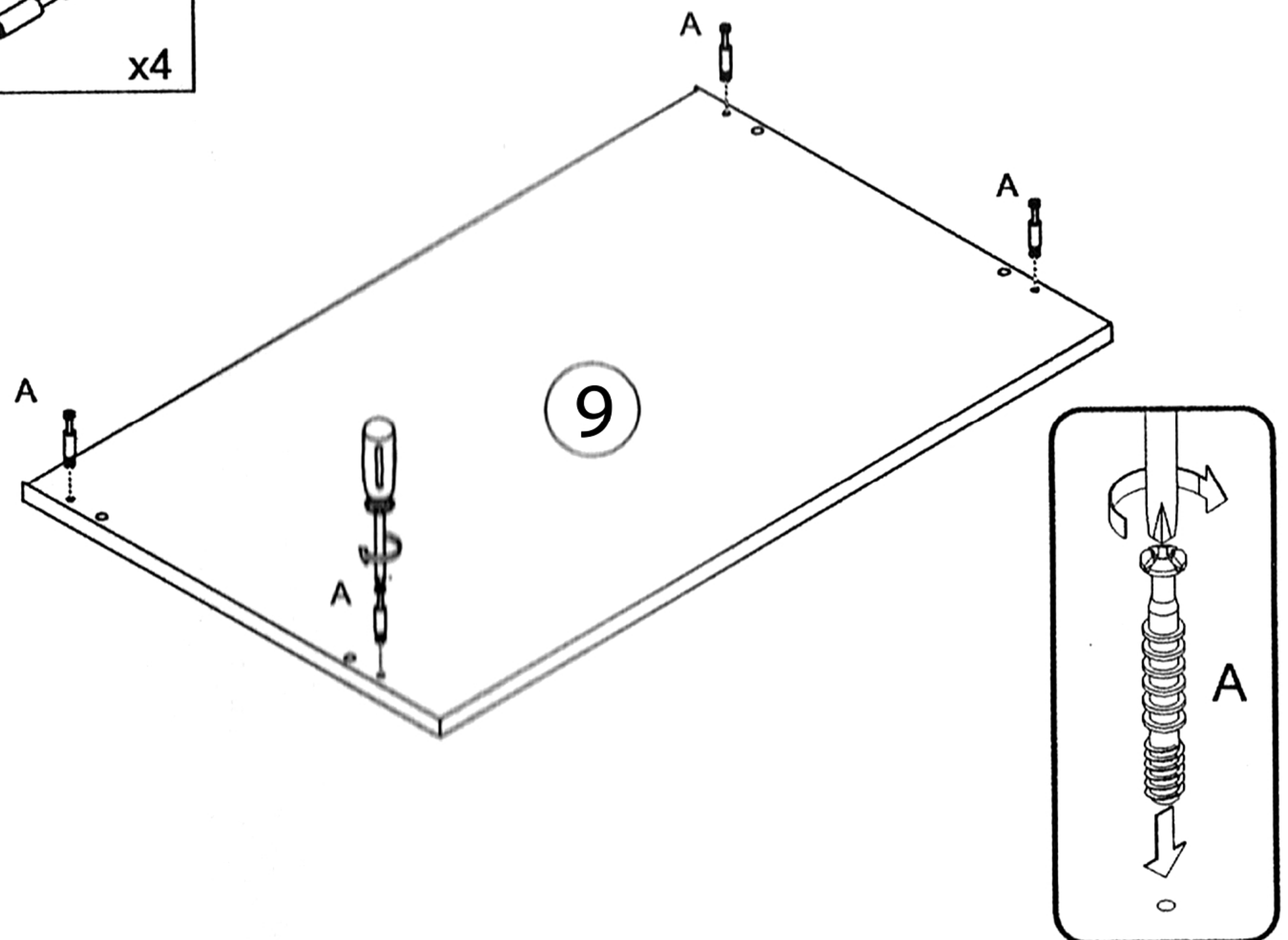
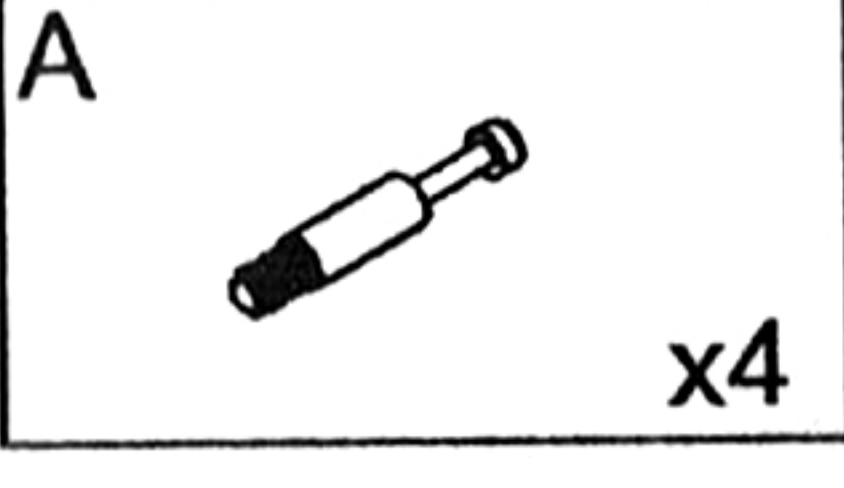
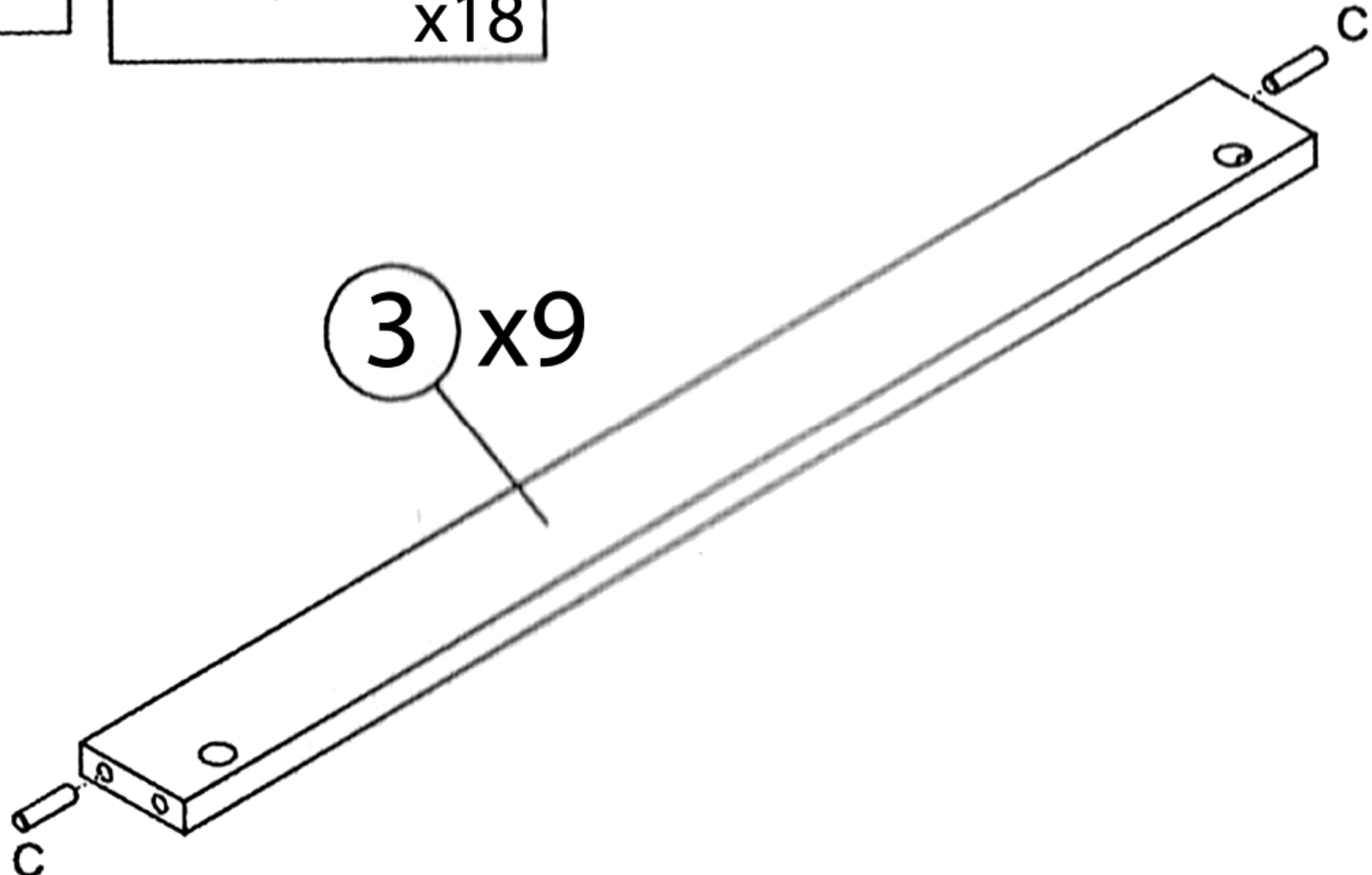
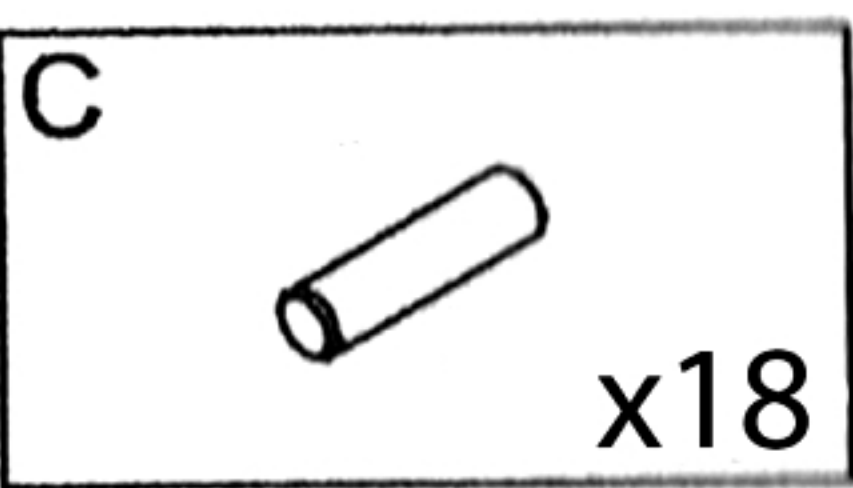


<b>A</b>  x34	<b>B</b>  x34	<b>C</b>  x42	<b>D</b>  x6	<b>E</b>  x24	<b>F</b>  x1
<b>G</b>  x24	<b>H</b>  x4	<b>I</b>  x80	<b>J</b>  x12	<b>K</b>  x20	<b>O</b>  L=1318 mm x1

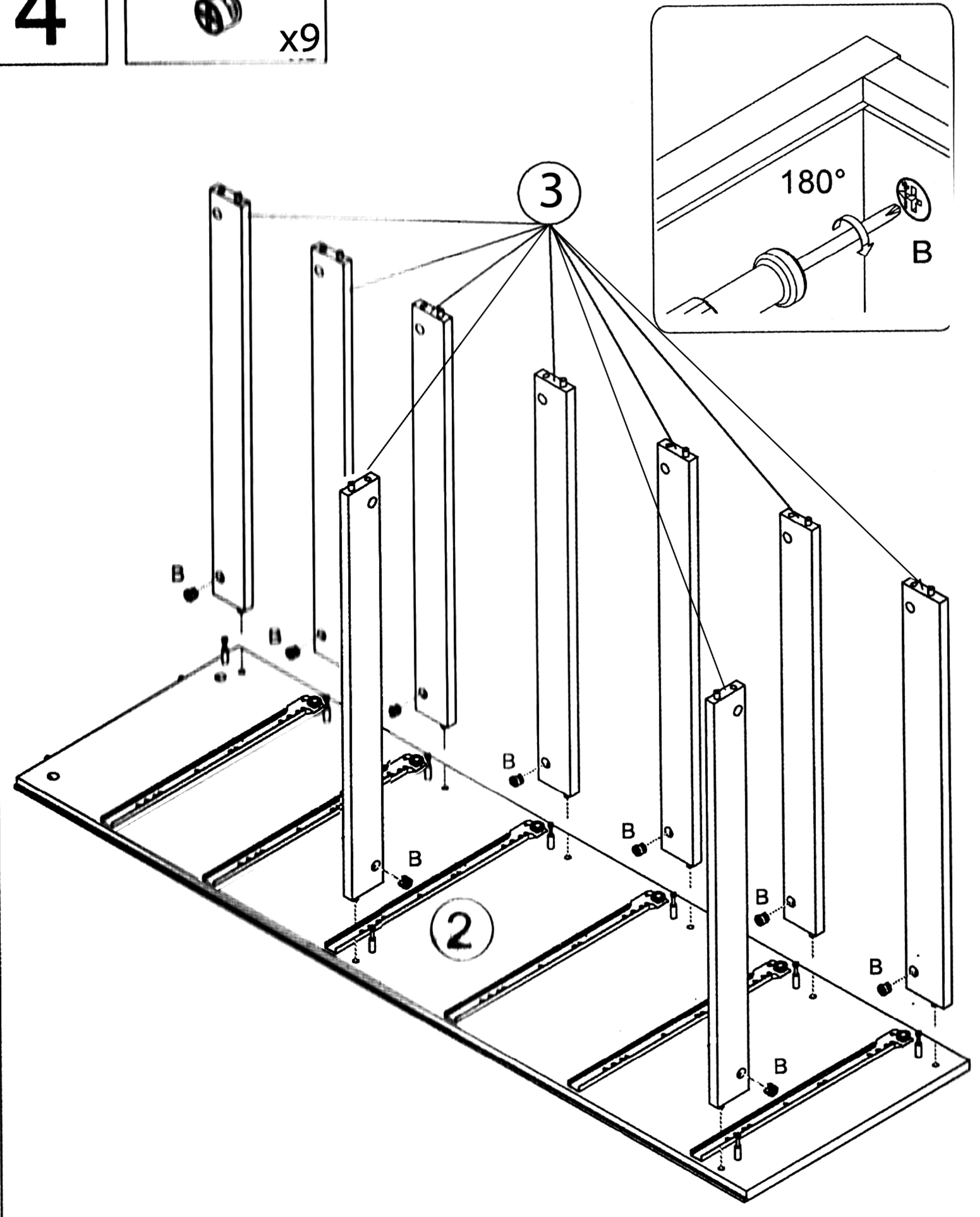




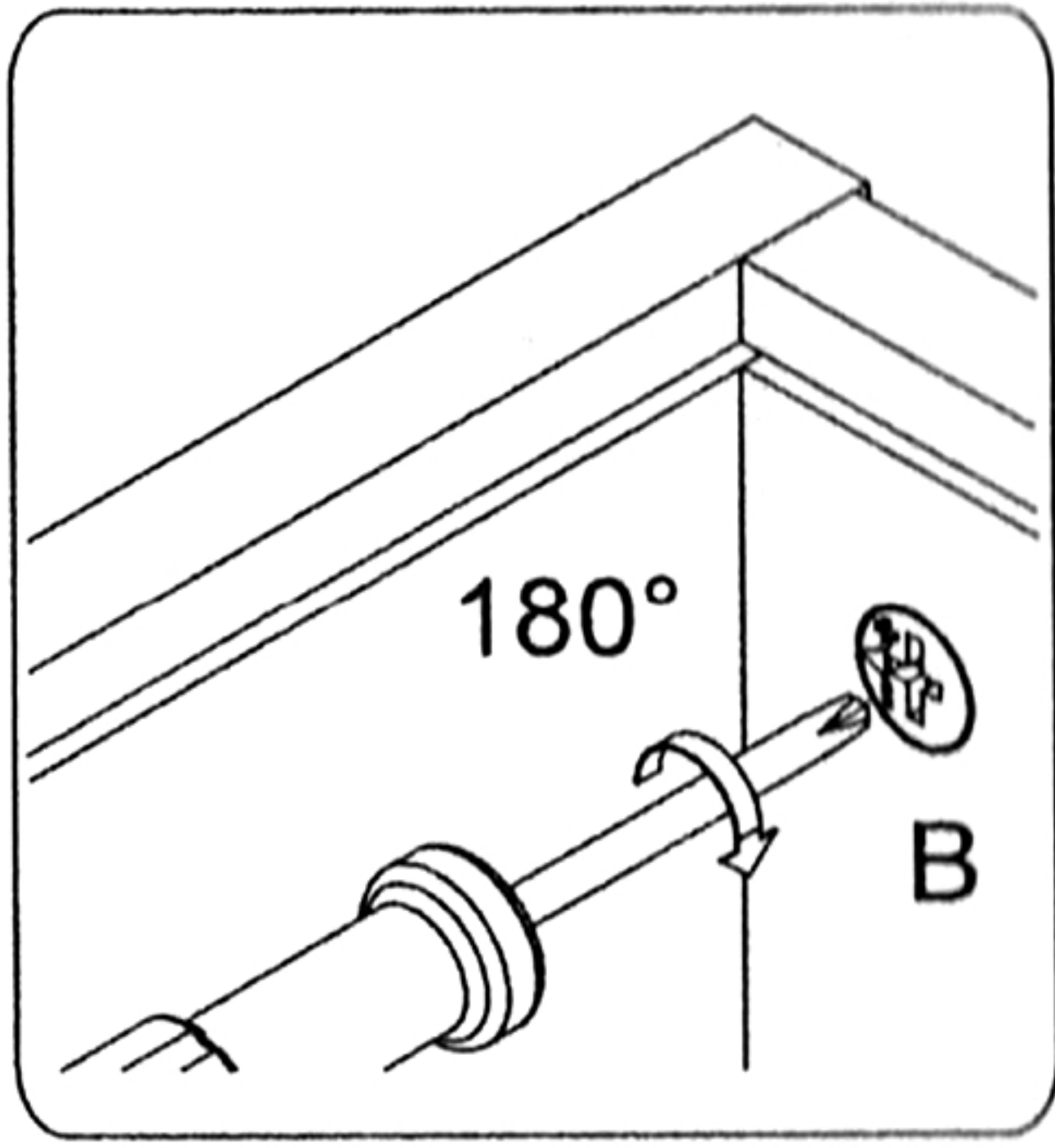
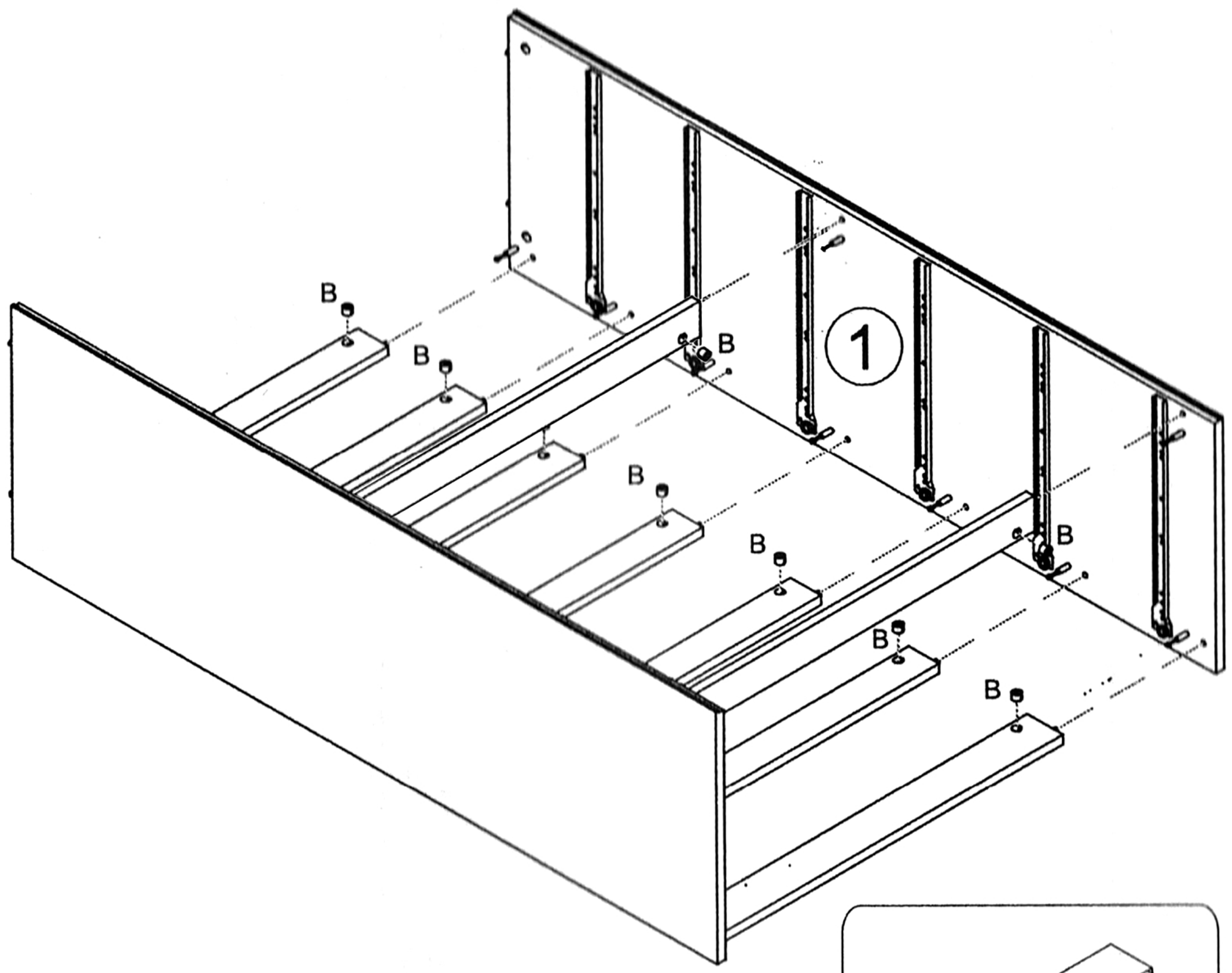
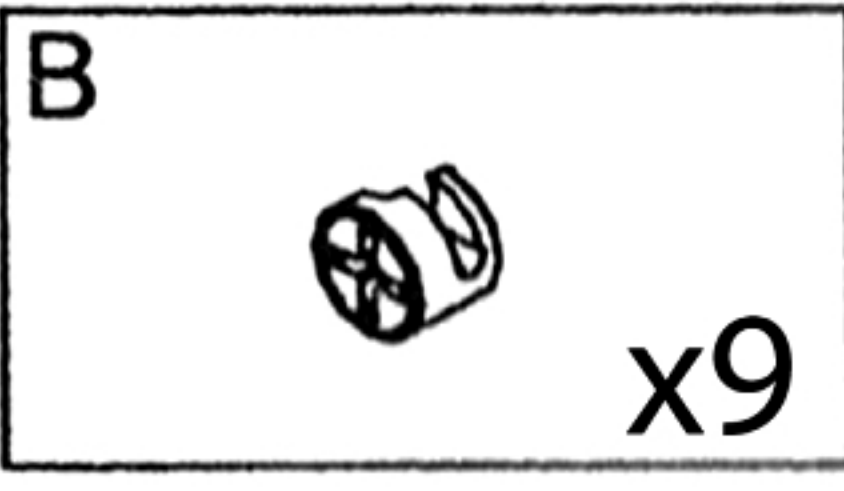
3



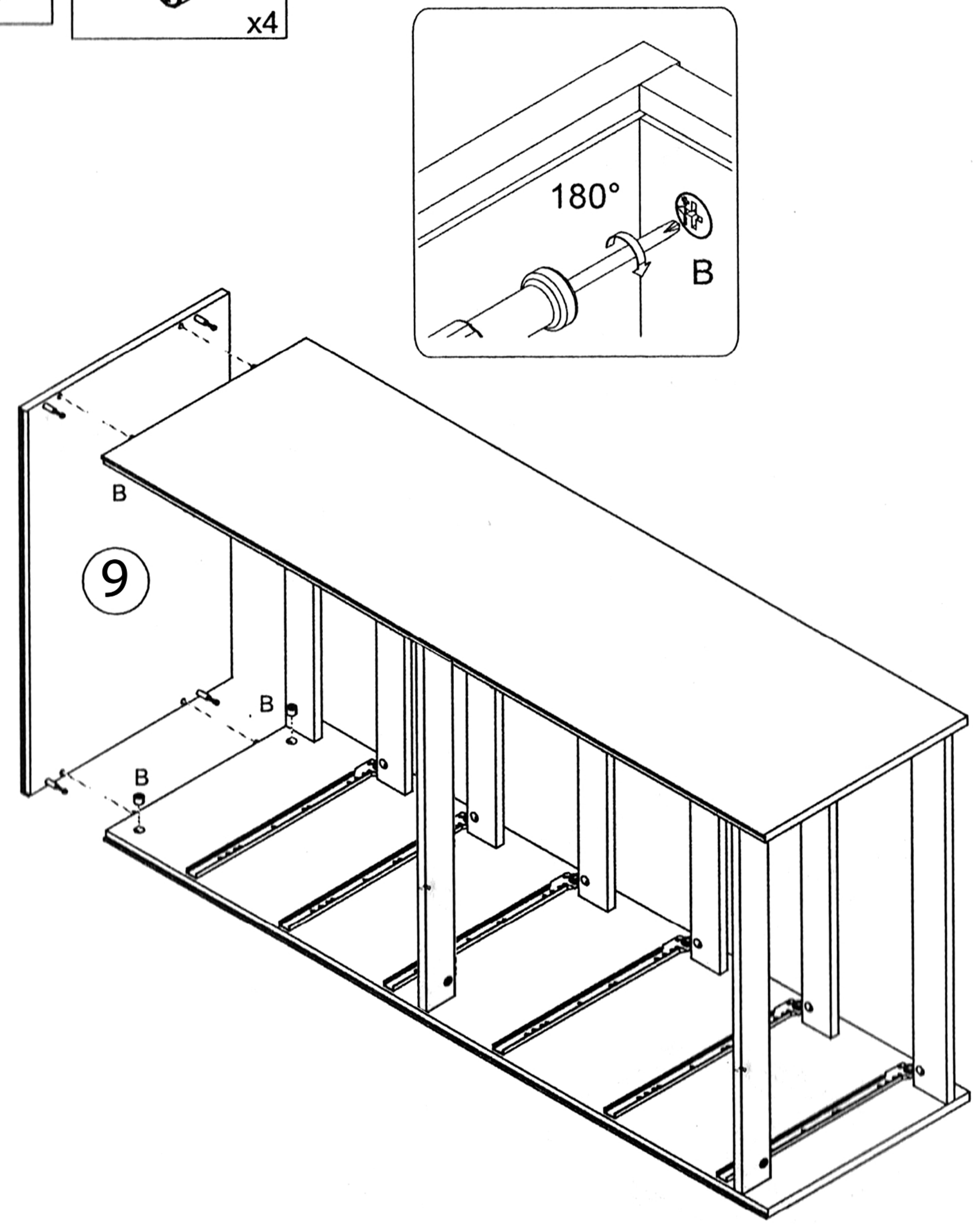
4



5

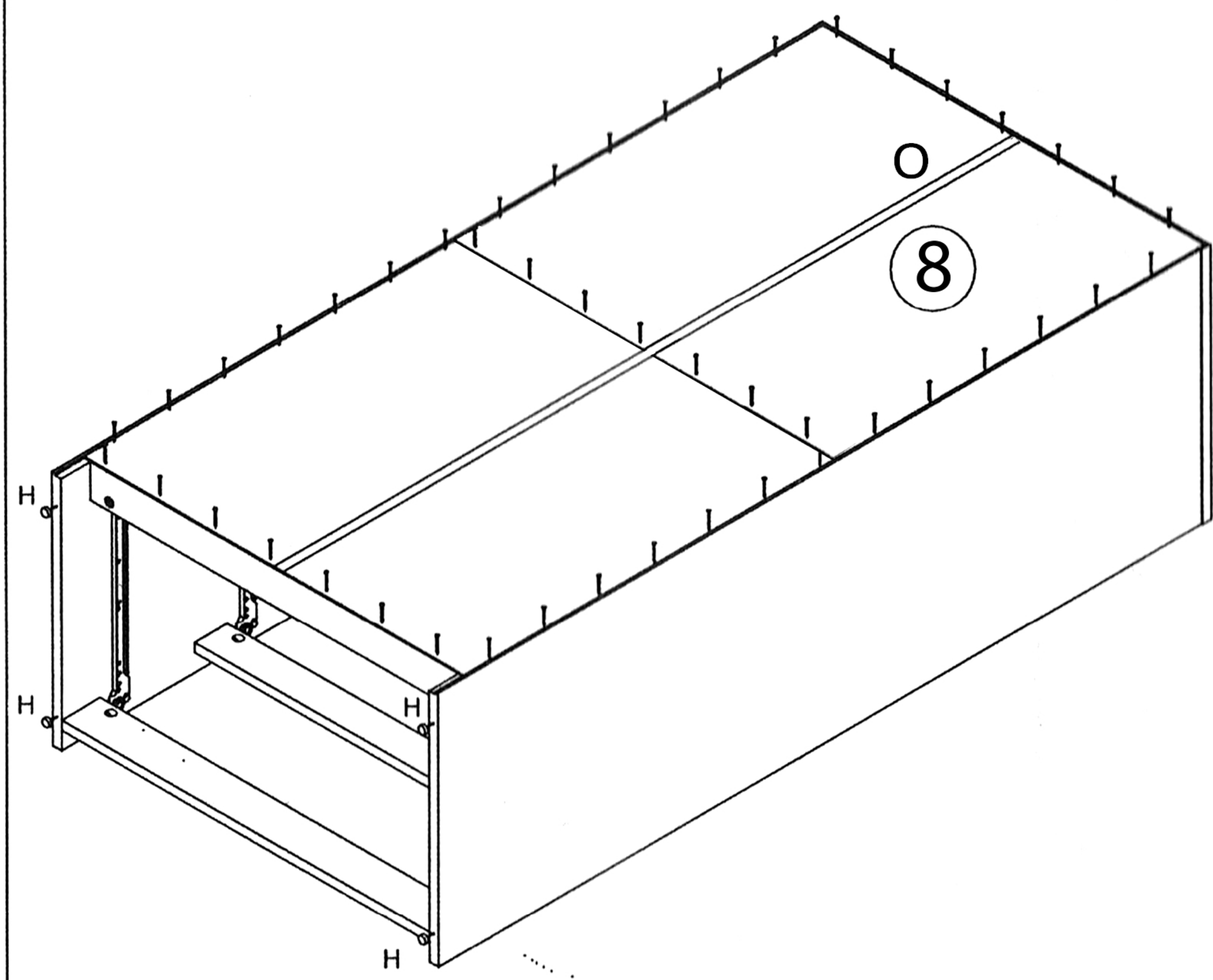
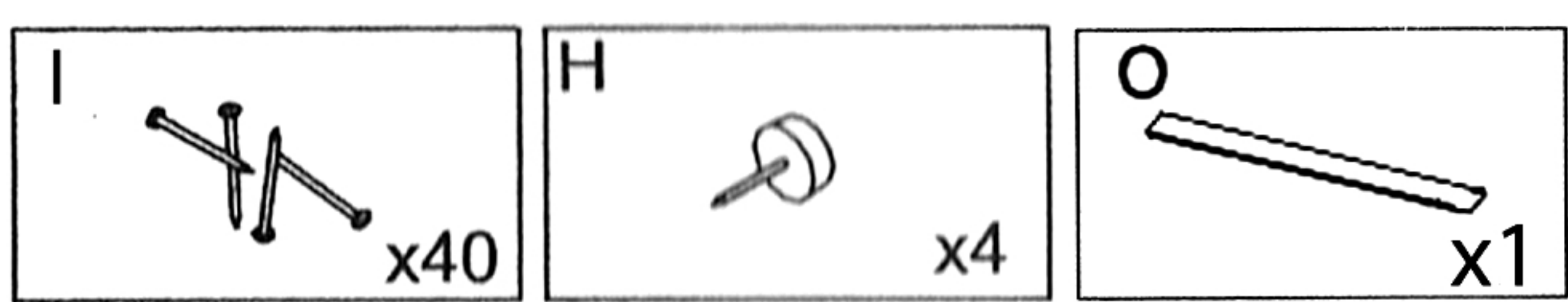


6

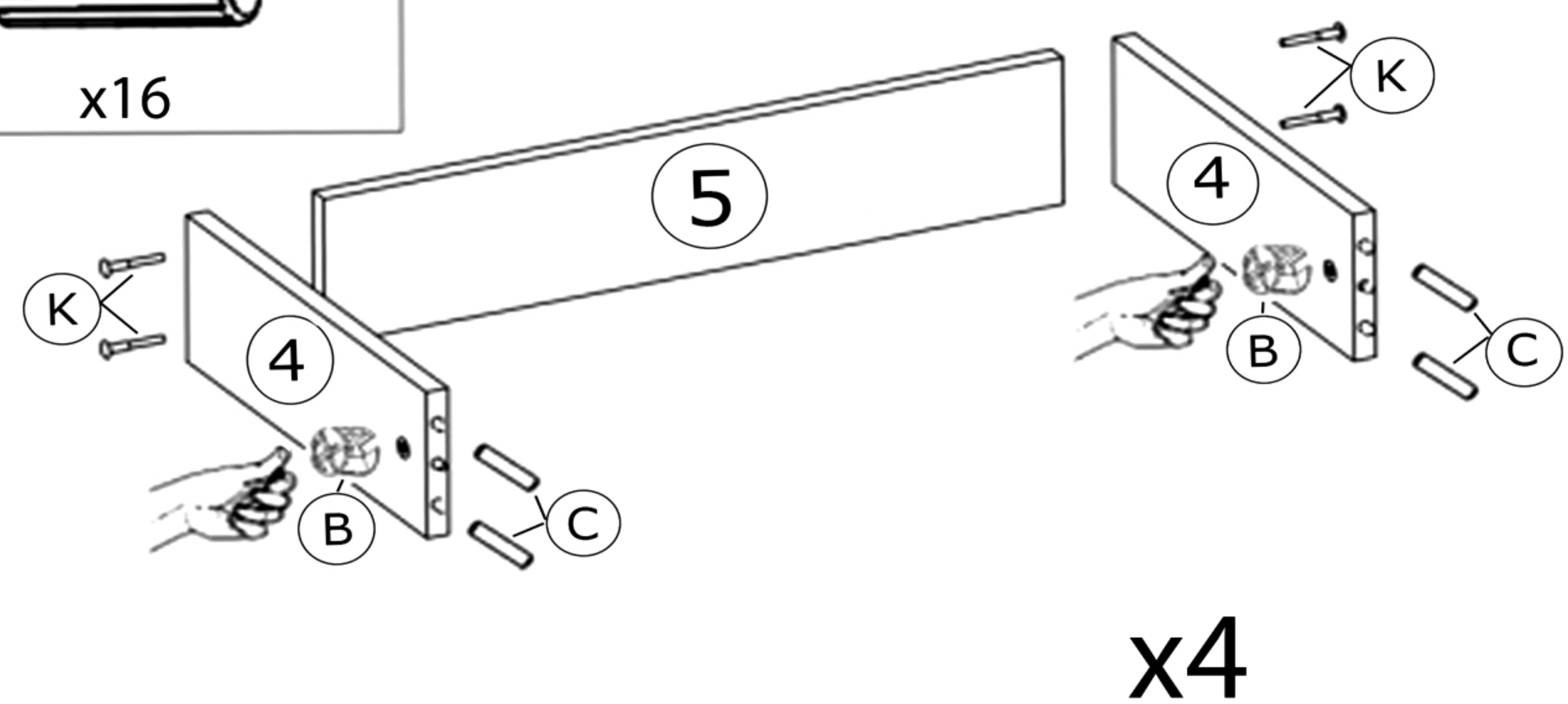
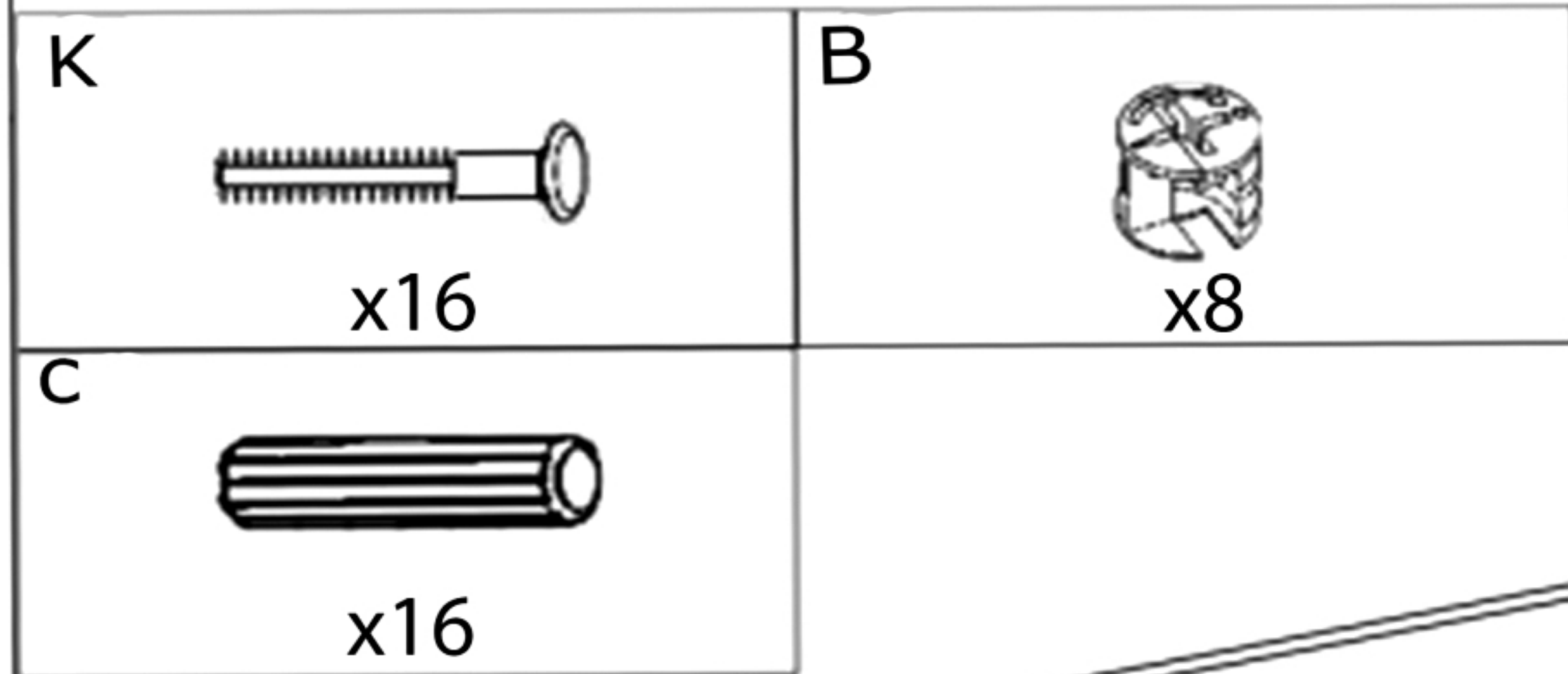




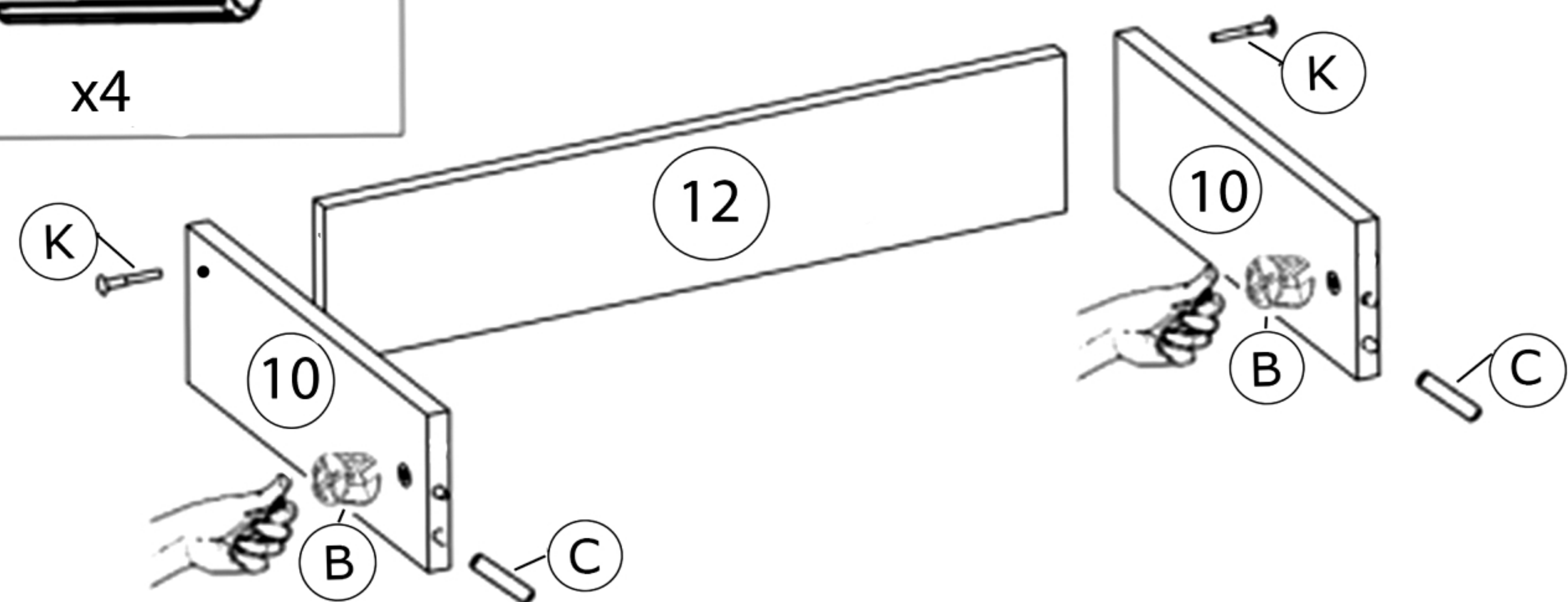
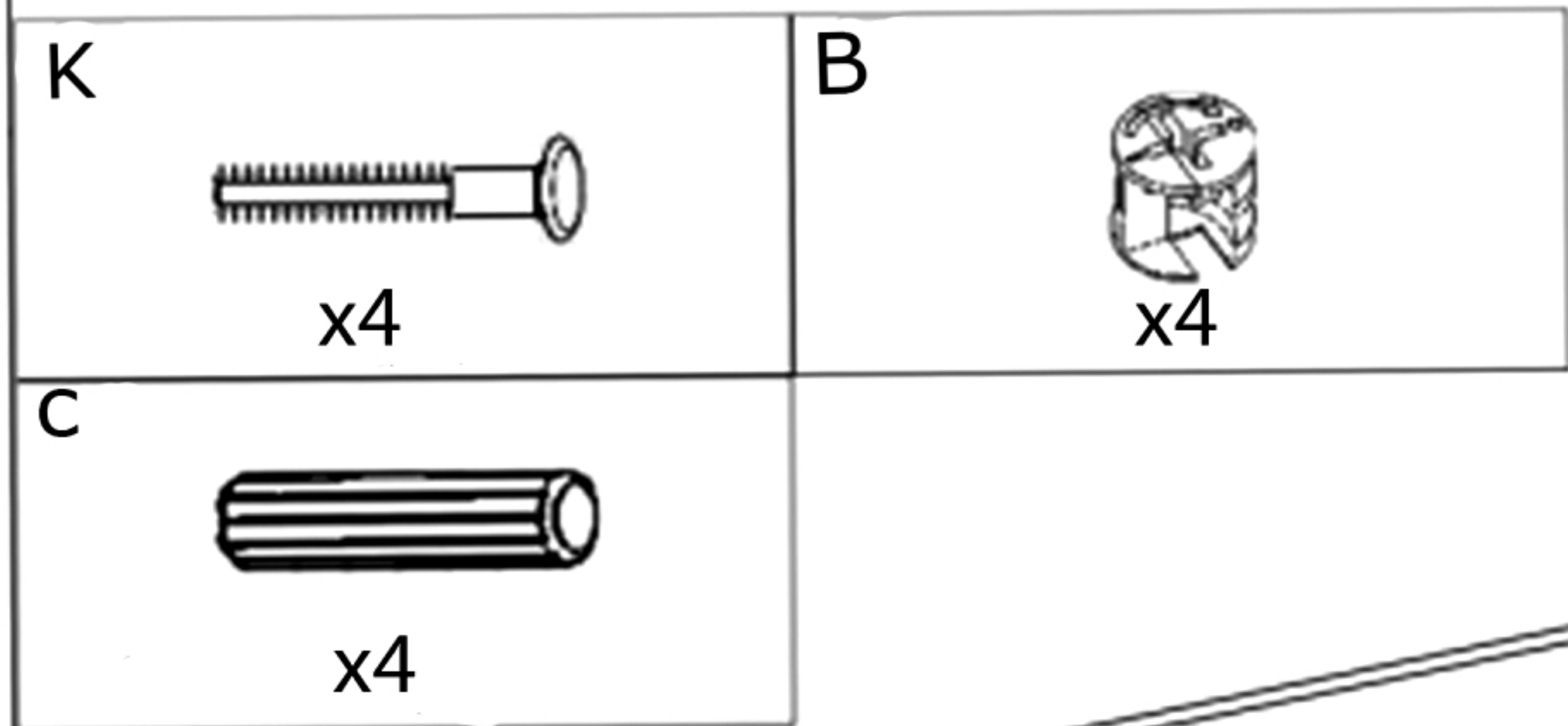
7



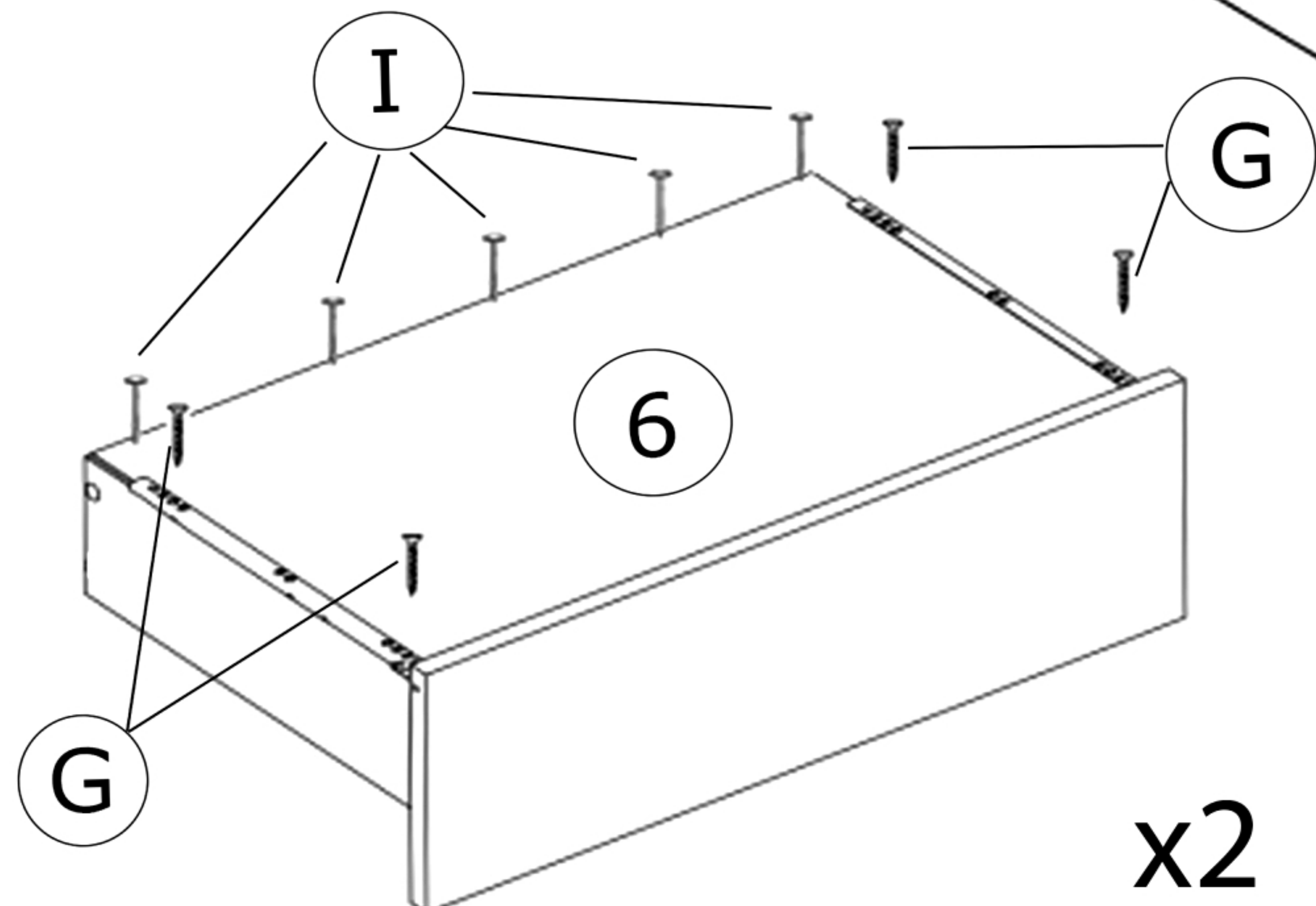
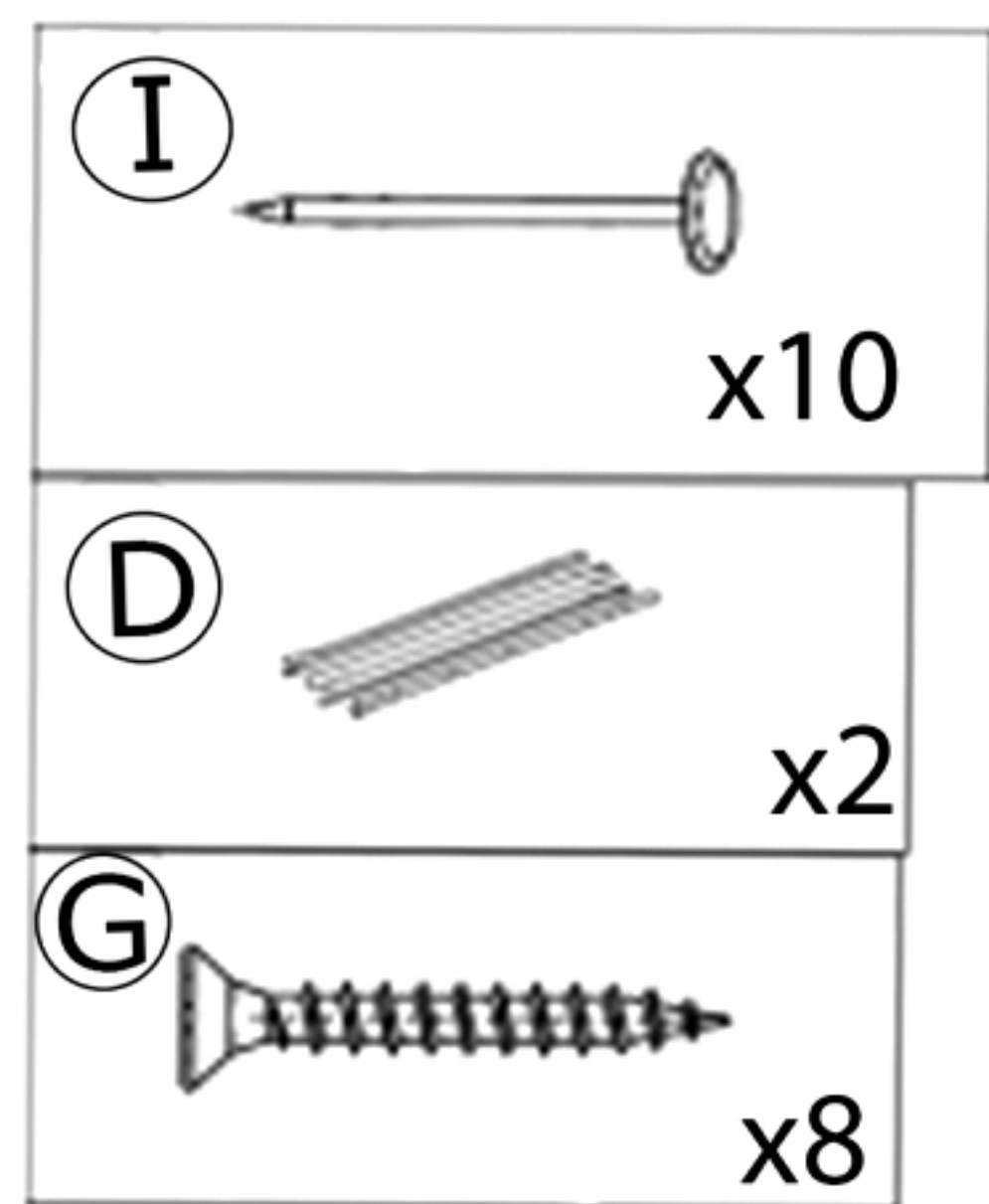
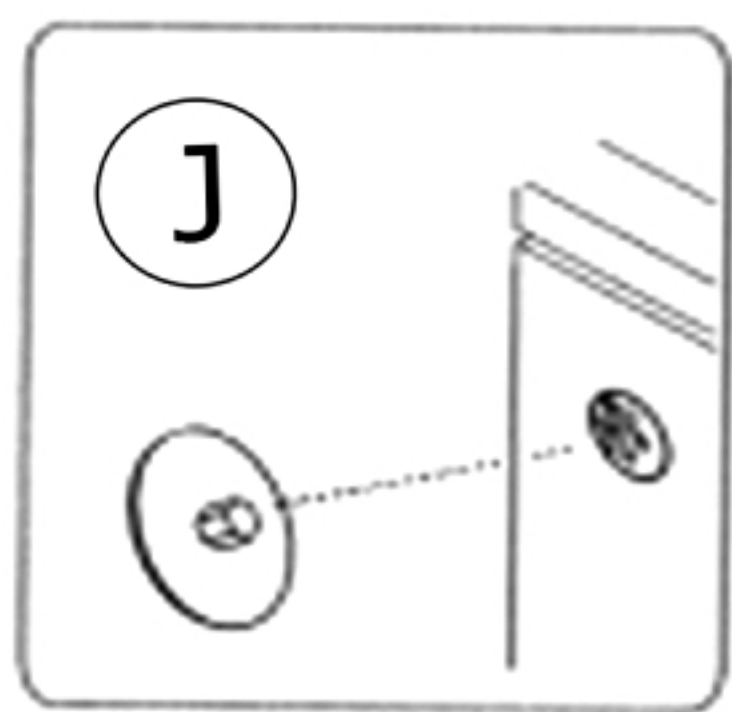
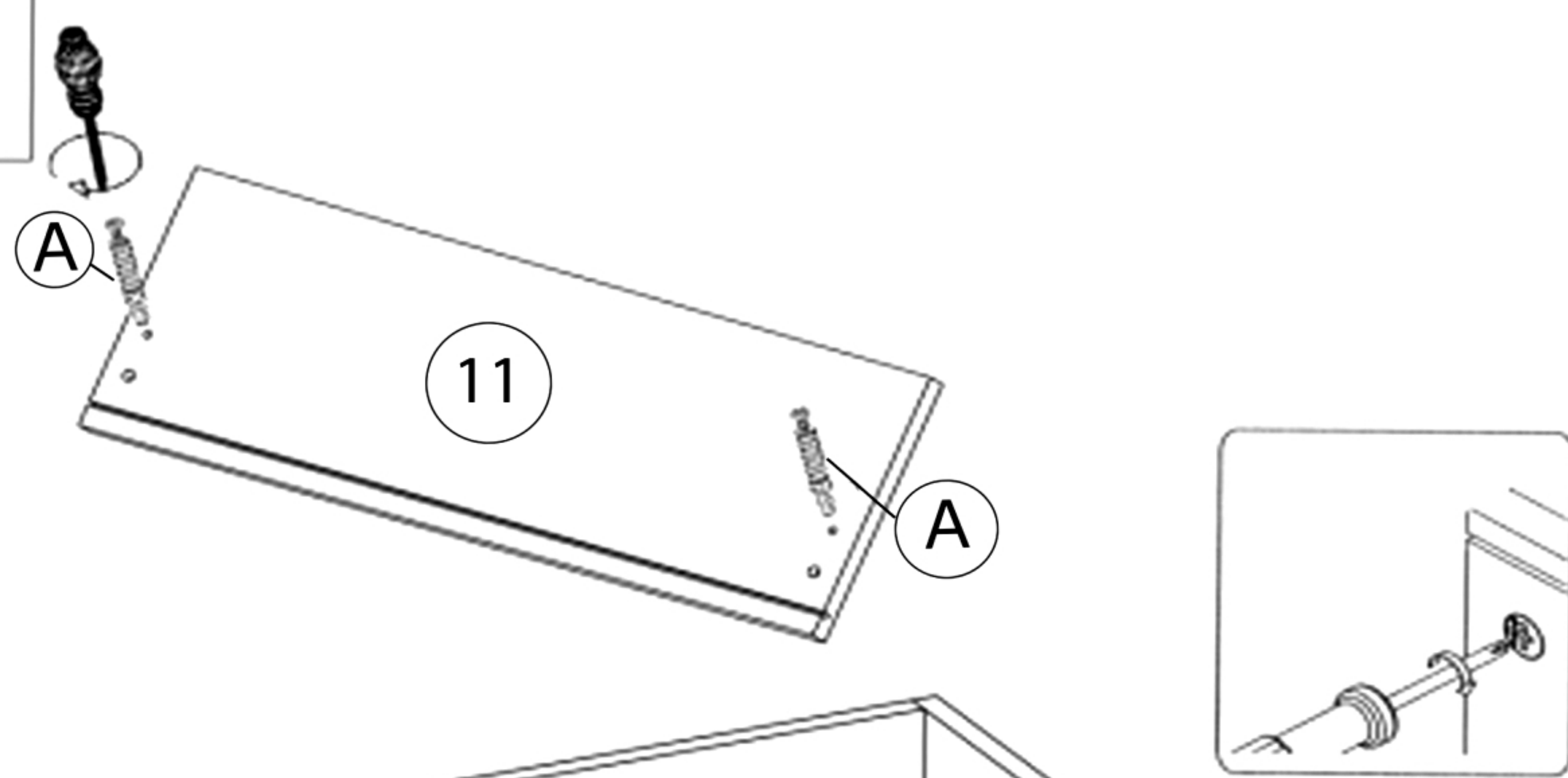
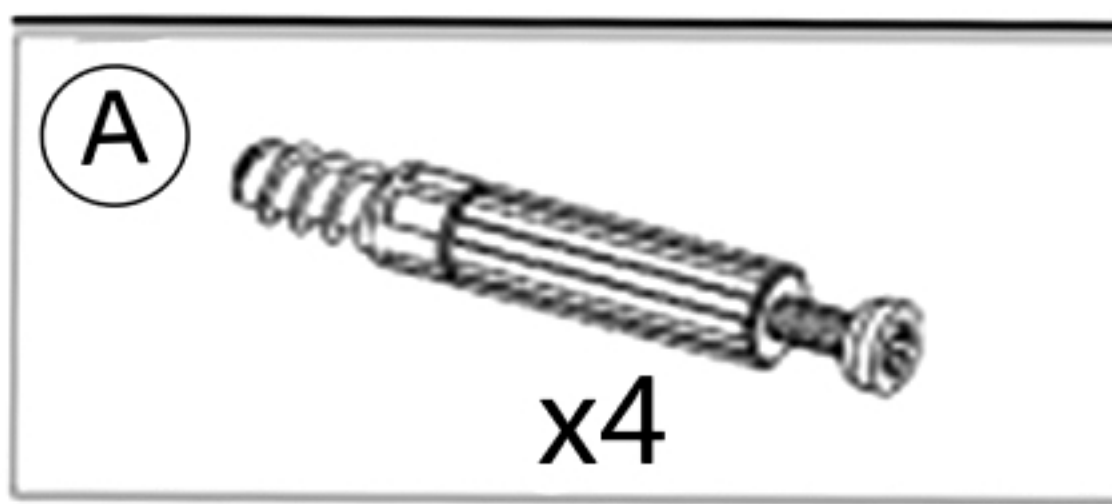
8



9



x2



x2

