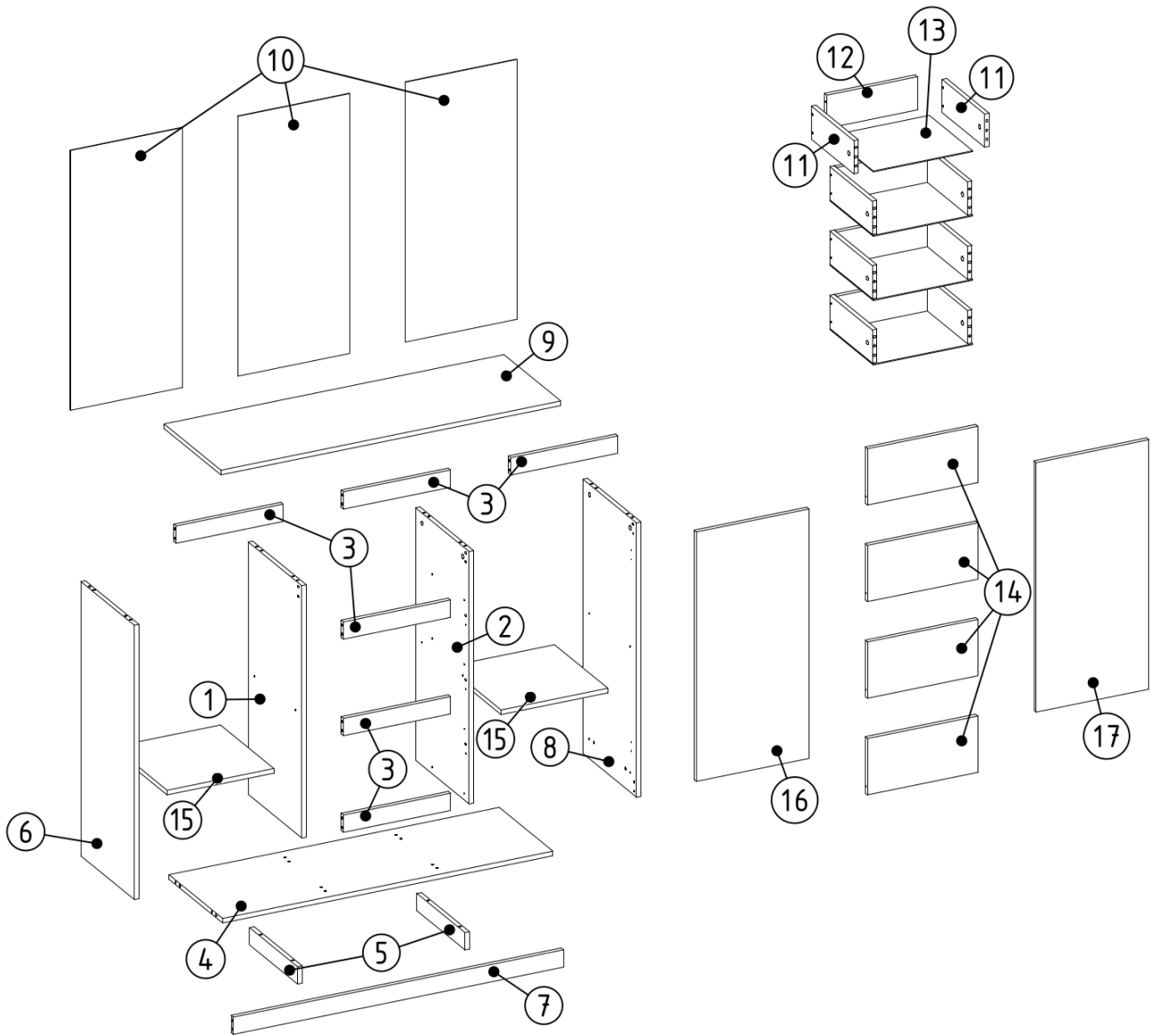








<b>S5</b>  2,5x20 x 10	<b>F2</b>  x 4	<b>A0</b>  ZP x 4	<b>N3</b>  L=76 x 2		
 x 1	<b>K1</b>  x 1	<b>Z4</b>  x 10	 x 1		
<b>N2</b>  L=30,3 x 30	<b>M3</b>  x 34	<b>E4</b>  x 16	<b>S1</b>  3,5x16 x 24	<b>E1</b>  8x35 x 38	<b>D2</b>  x 8
<b>T1</b>  x 8	<b>Z2</b>  x 80	<b>P3</b>  L=350 x 4	<b>S15</b>  6x8 x 16	<b>M2</b>  x 8	<b>E3</b>  8x70 x 6

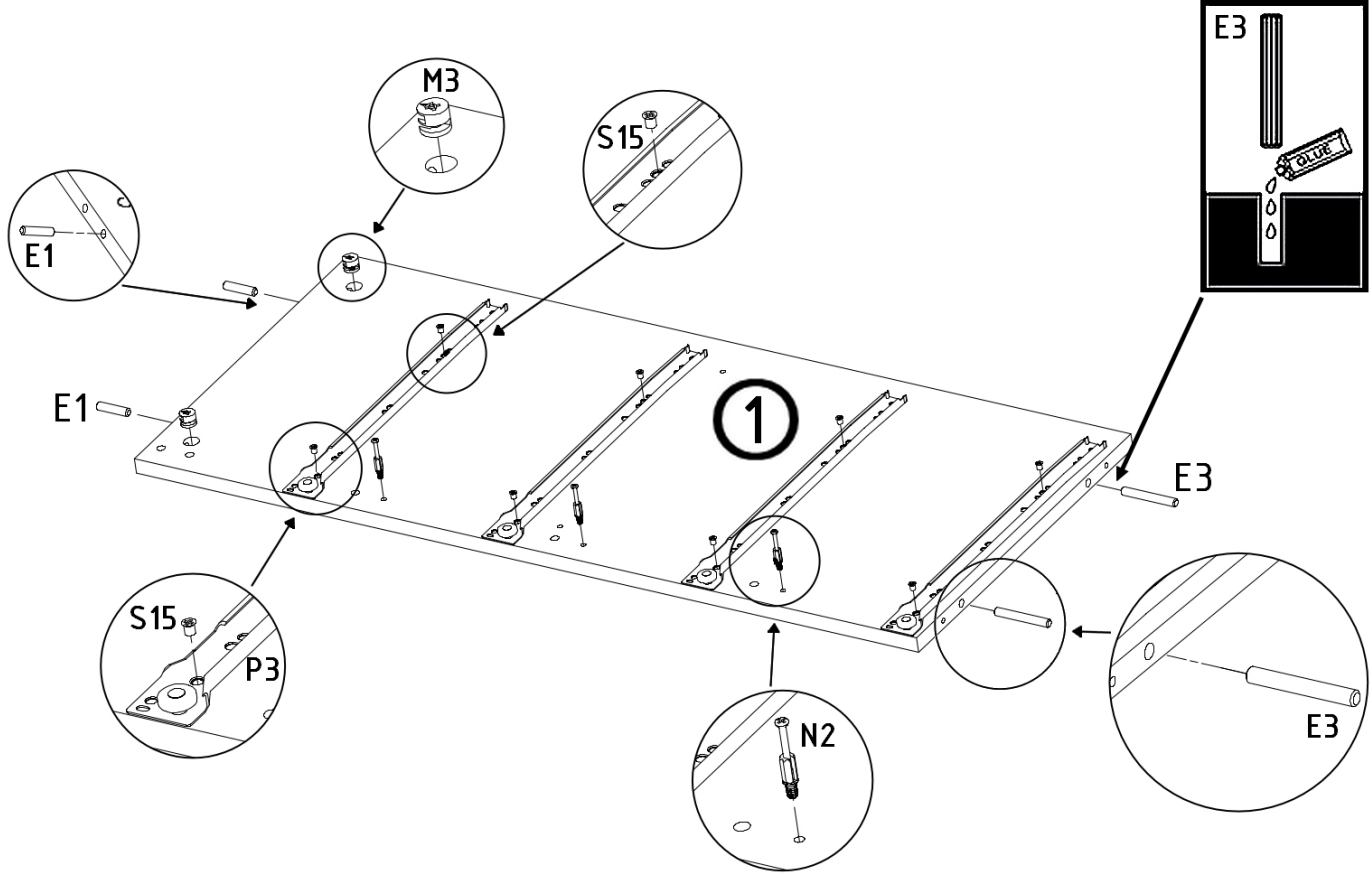



1	x 1
2	x 1
3	x 6
4	x 1
5	x 2
6	x 1
7	x 1

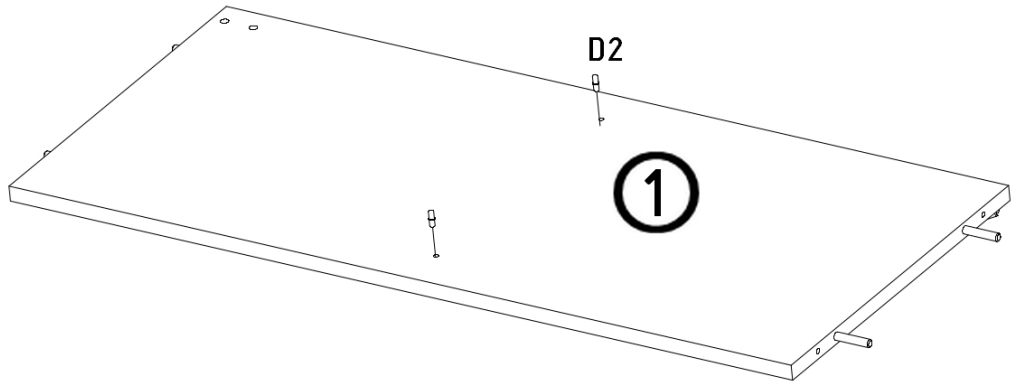
8	x 1
9	x 1
10	x 3
11	x 8
12	x 4
13	x 4
14	x 4







15	x 2
16	x 1
17	x 1

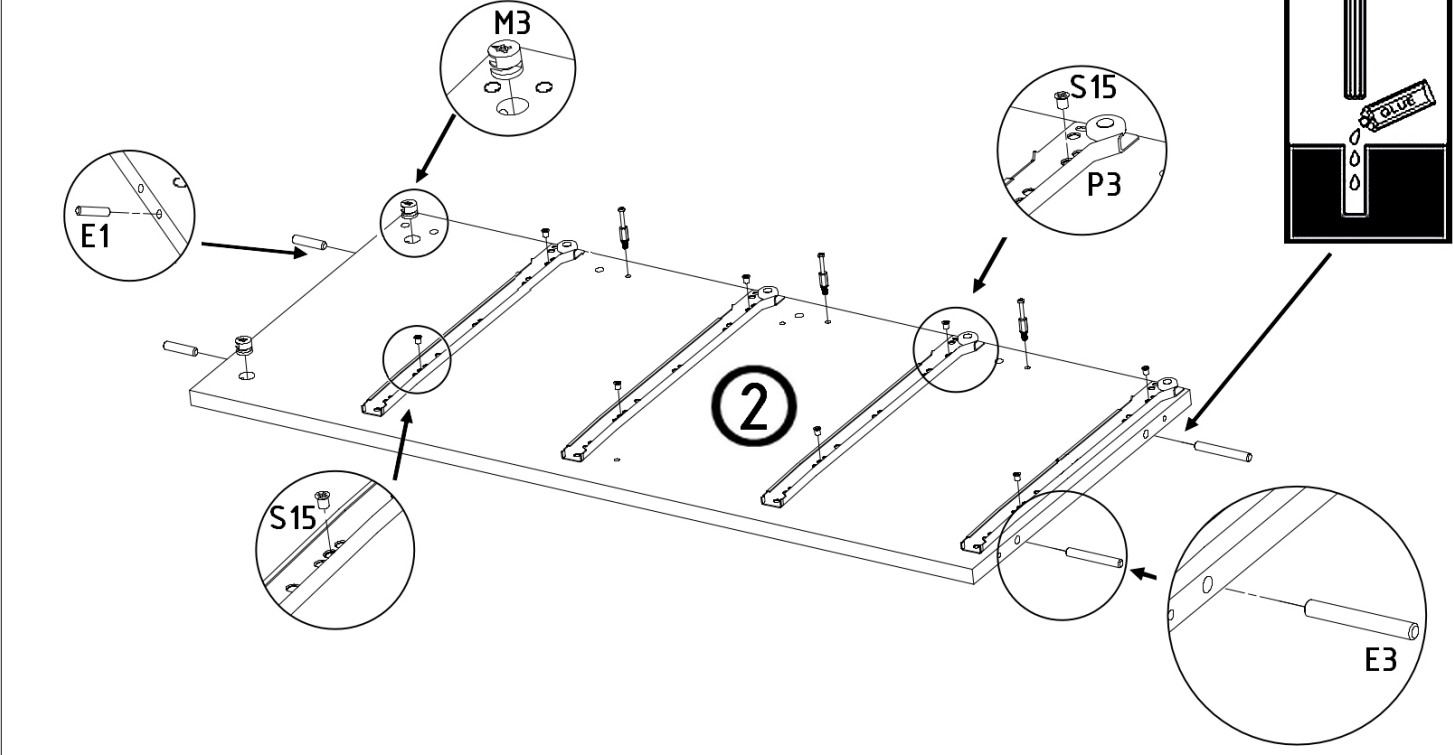
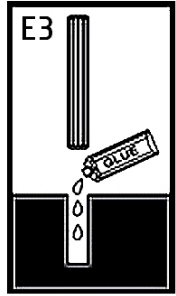
<b>N2</b>  L=30,3 x 3	<b>M3</b>  x 2	<b>P3</b>  L=350 x 4	<b>S15</b>  6x8 x 8	<b>E1</b>  8x35 x 2	<b>E3</b>  8x70 x 2
---	--	--	--	---	--




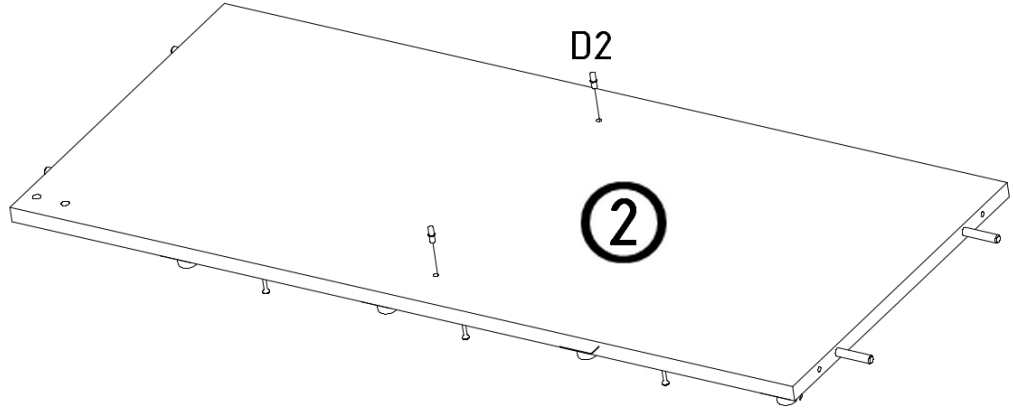
<b>D2</b>  x 2
---





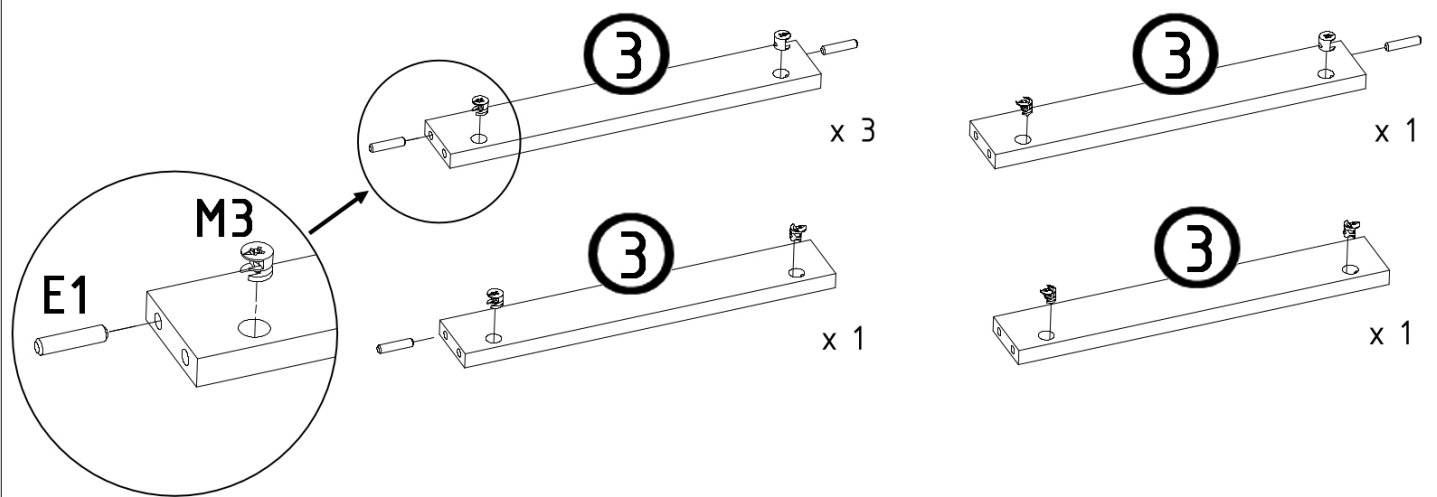
<b>N2</b>  L=30,3 x 3	<b>M3</b>  x 2	<b>P3</b>  L=350 x 4	<b>S15</b>  6x8 x 8	<b>E1</b>  8x35 x 2	<b>E3</b>  8x70 x 2
---	--	--	---	---	--





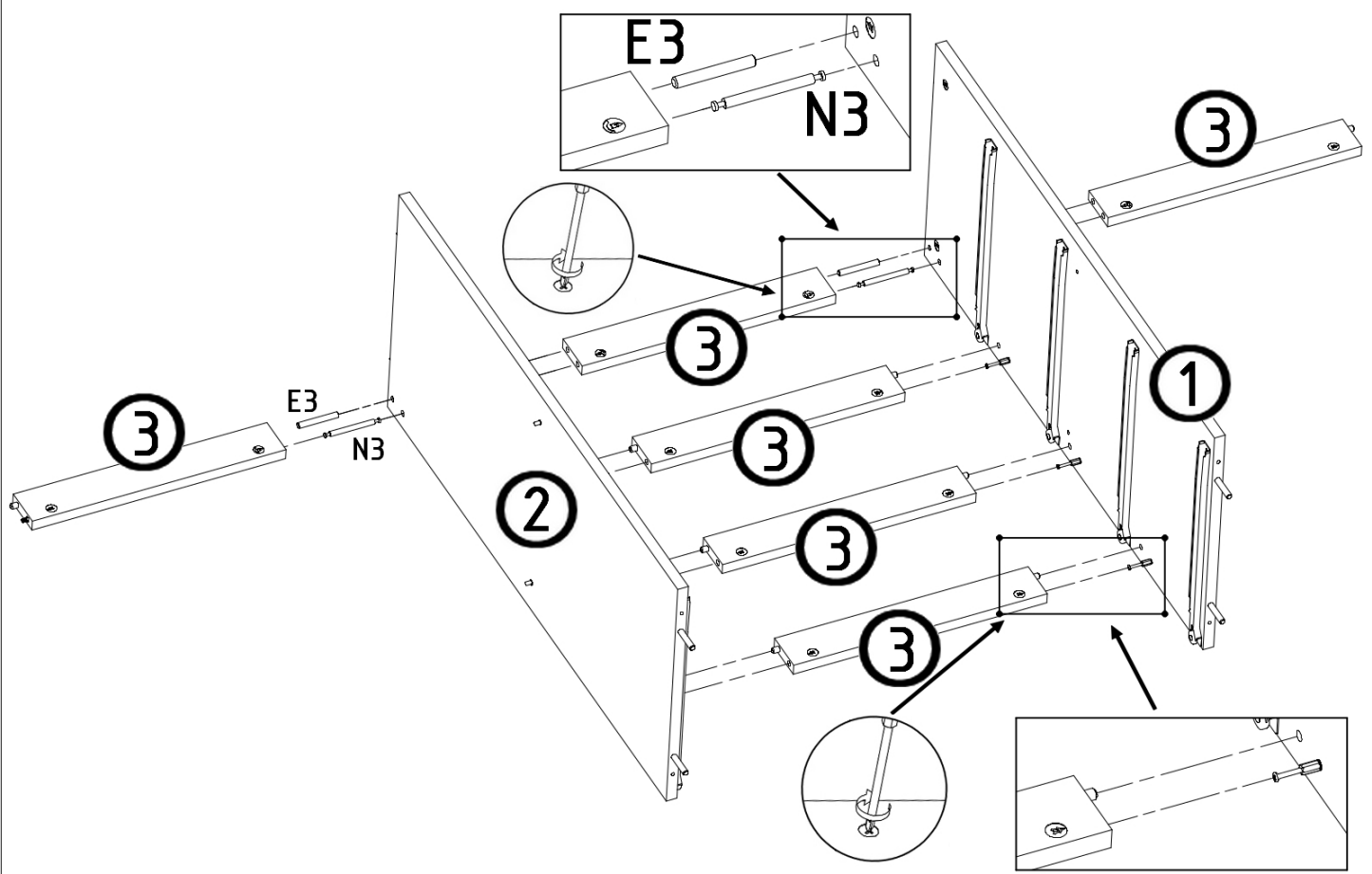
<b>D2</b>  x 2
---





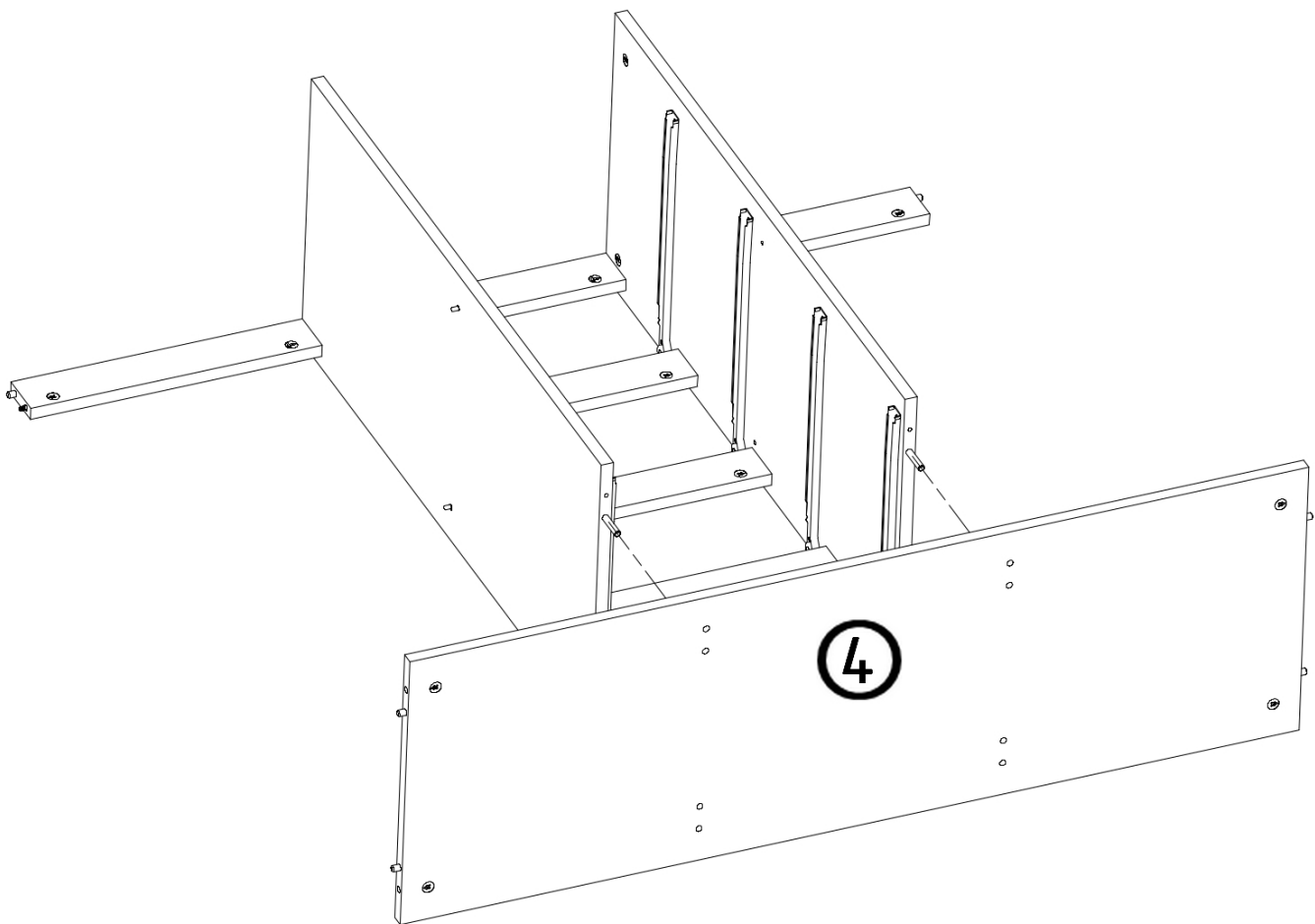
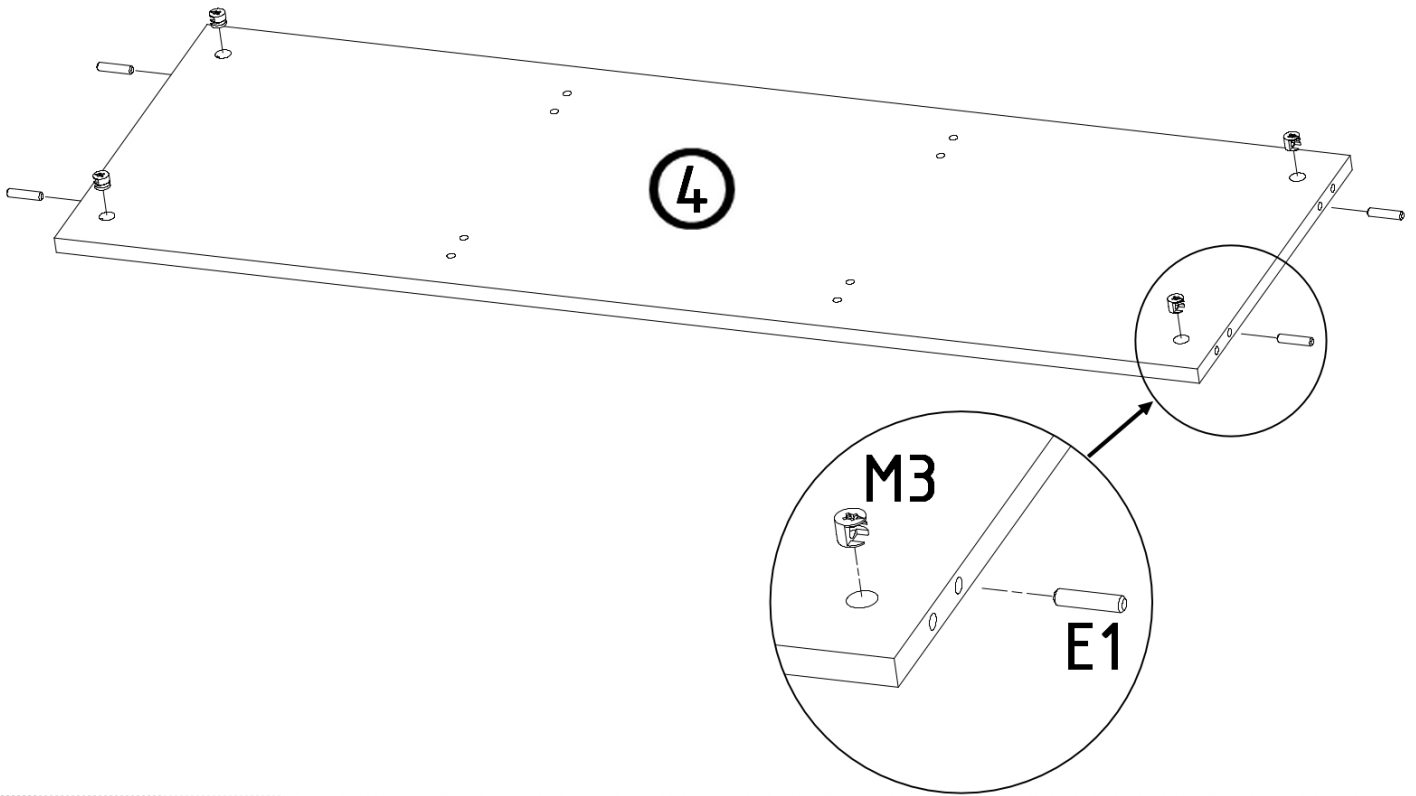
<b>E1</b>  8x35 x 8	<b>M3</b>  x 12
---	---

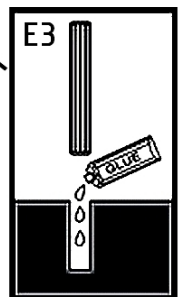
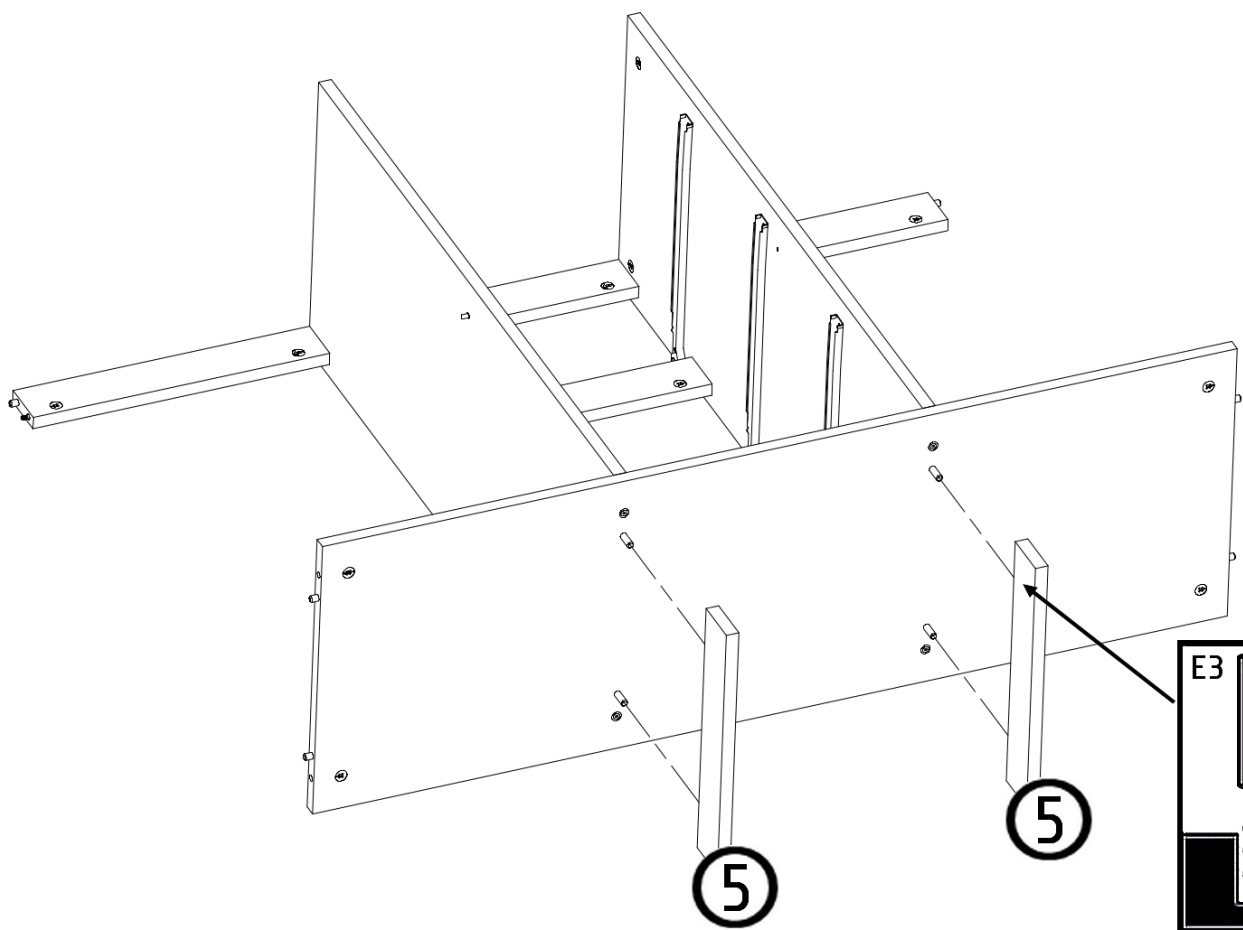
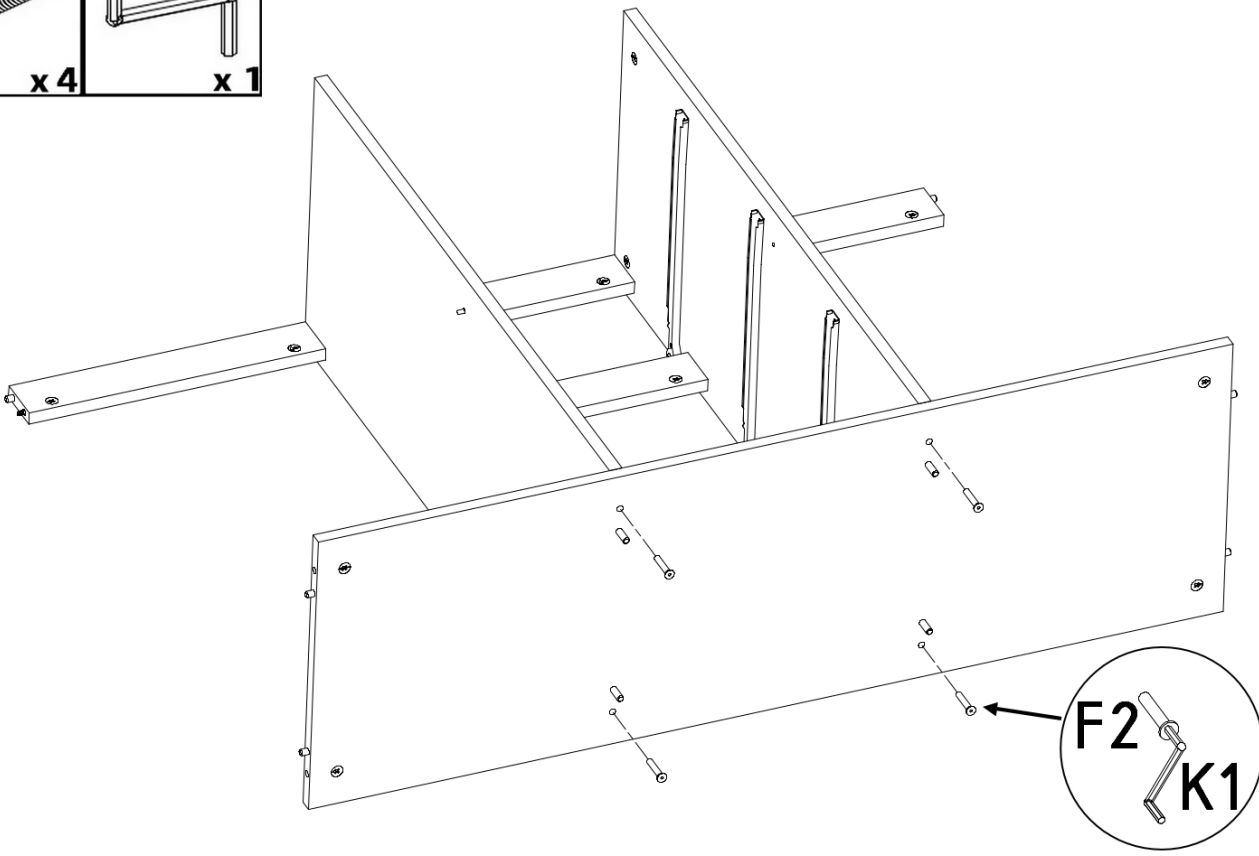
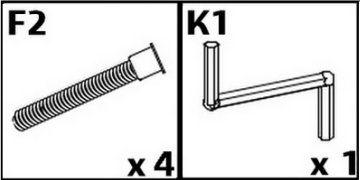






<b>N3</b>  L=76 x 2	<b>E3</b>  8x70 x 2
--	--

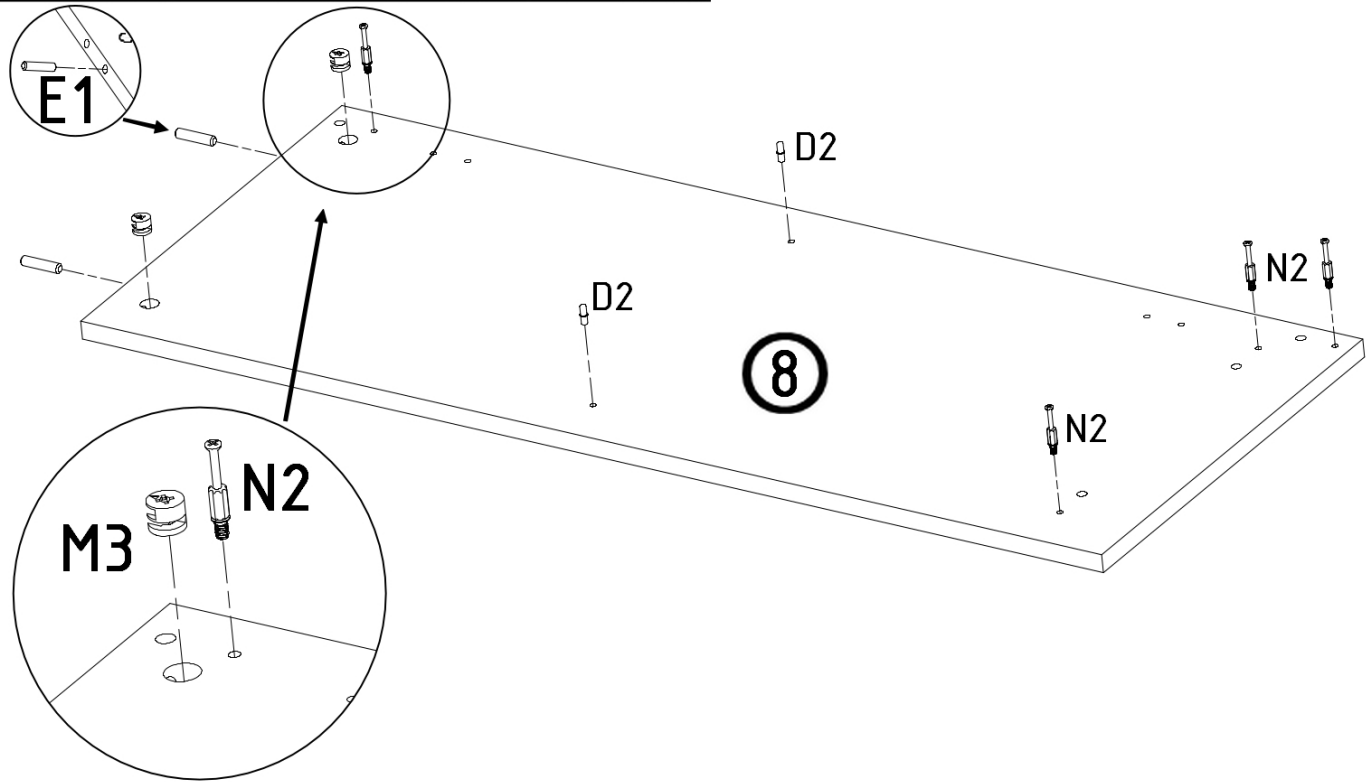






<b>E1</b>  8x35 x 4	<b>M3</b>  x 4
--	---

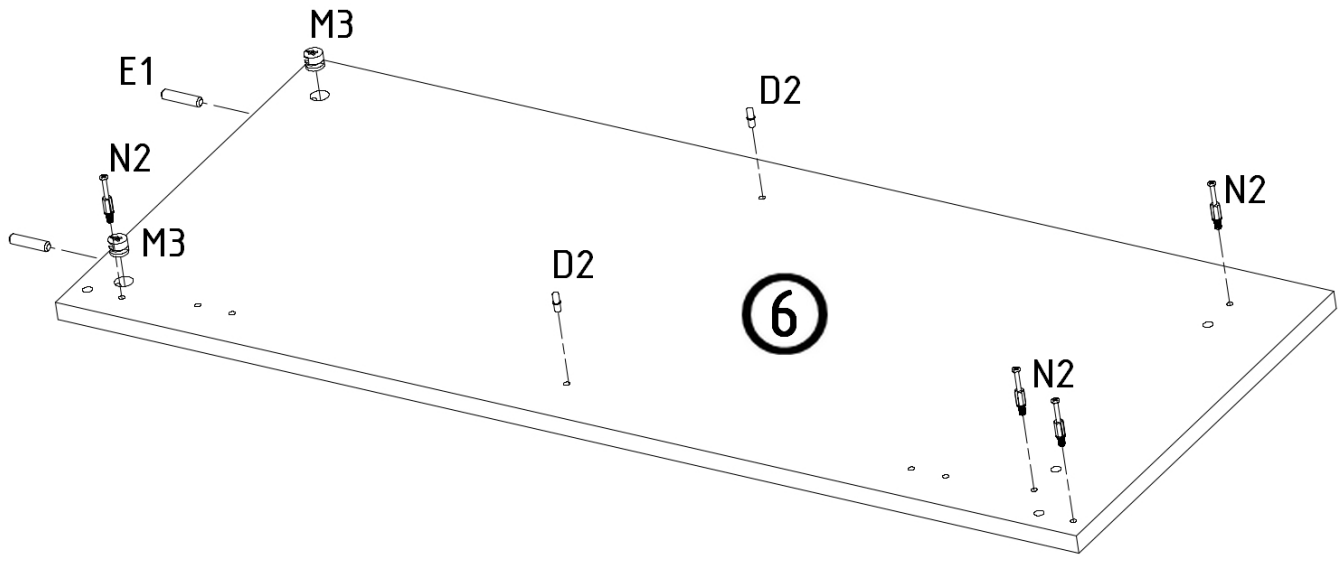






<b>N2</b> 	<b>M3</b> 	<b>E1</b> 	<b>D2</b> 
L=30,3 x 4	x 2	8x35 x 2	x 2

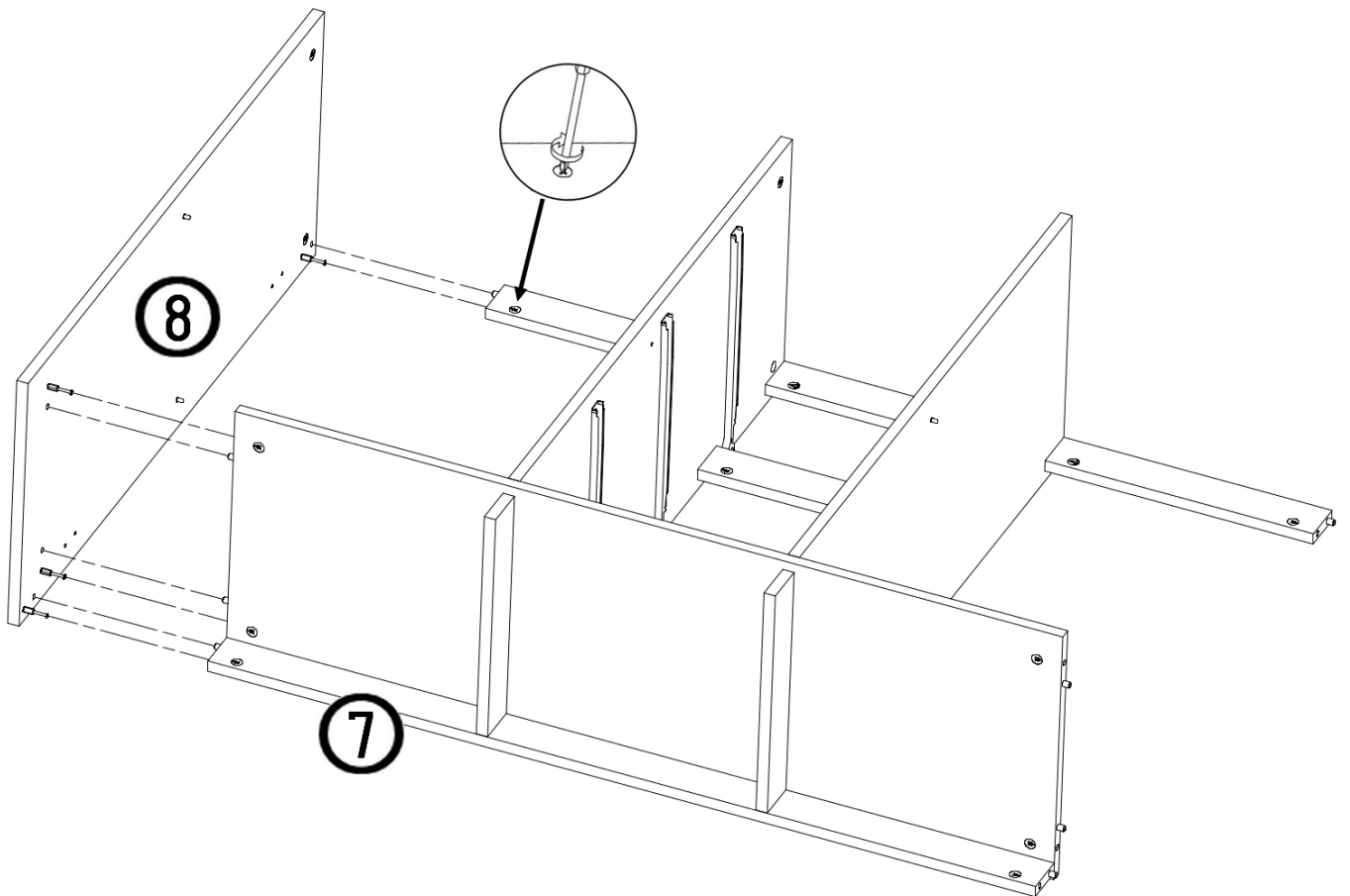
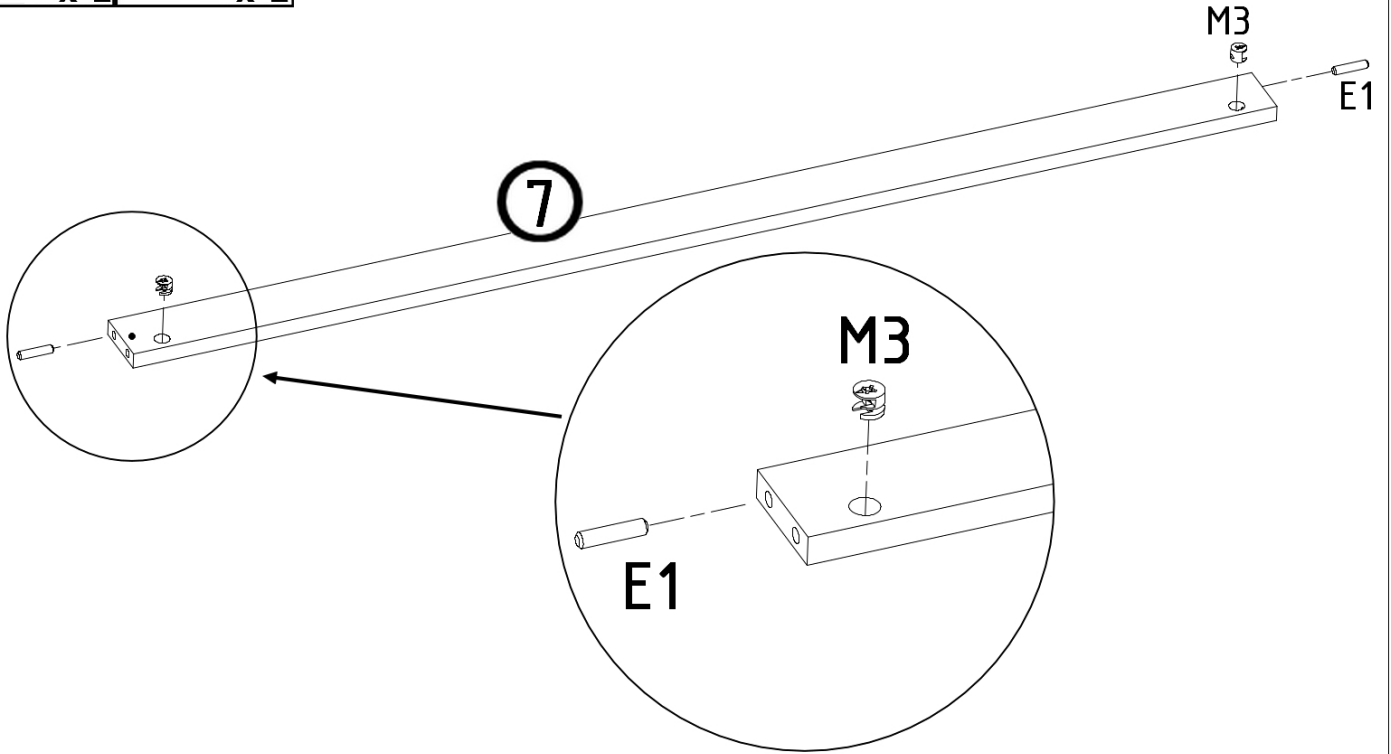


<b>N2</b> 	<b>M3</b> 	<b>E1</b> 	<b>D2</b> 
L=30,3 x 4	x 2	8x35 x 2	x 2

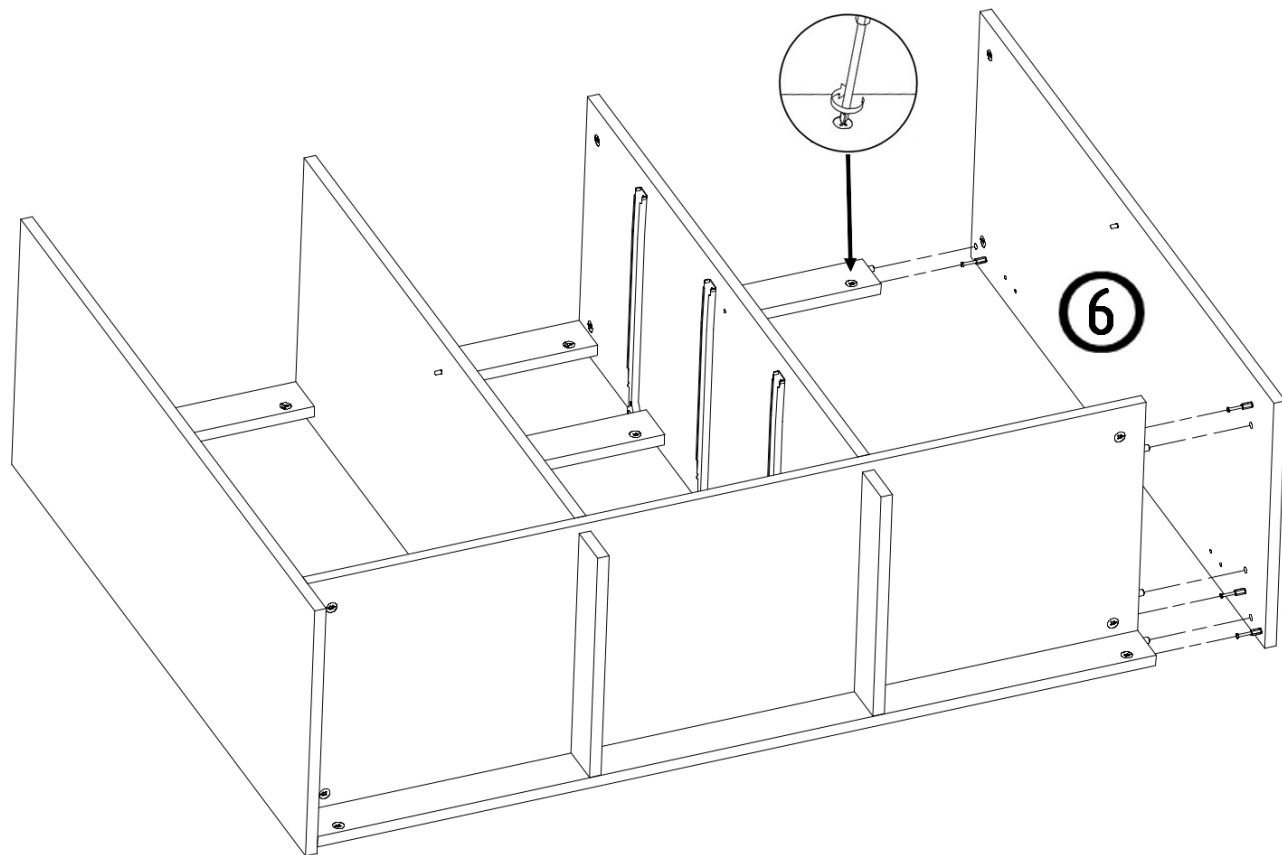




<b>E1</b>  8x35 x 2	<b>M3</b>  x 2
--	---



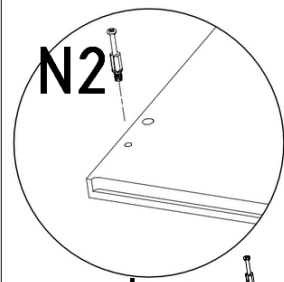
10



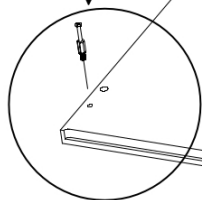
N2



L=30,3 x 8



N2

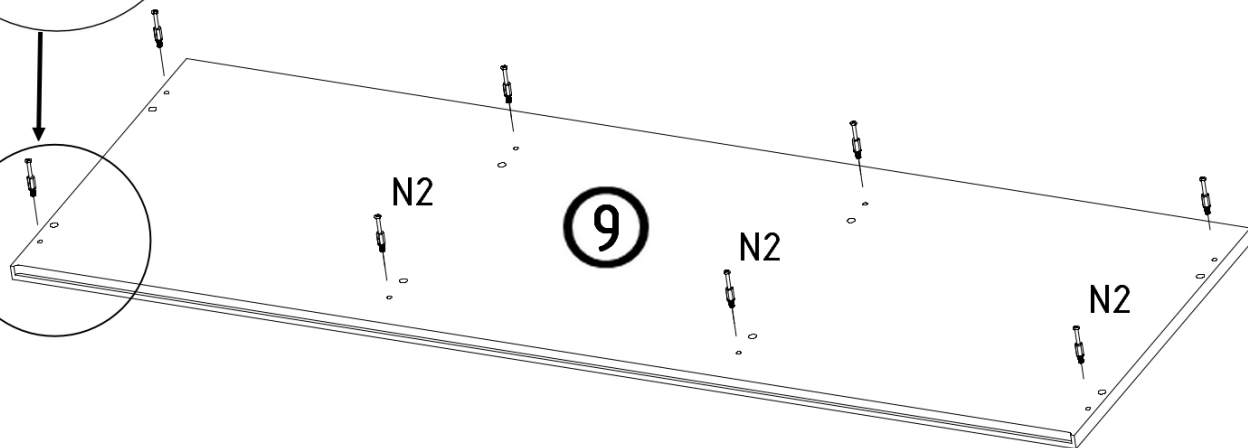


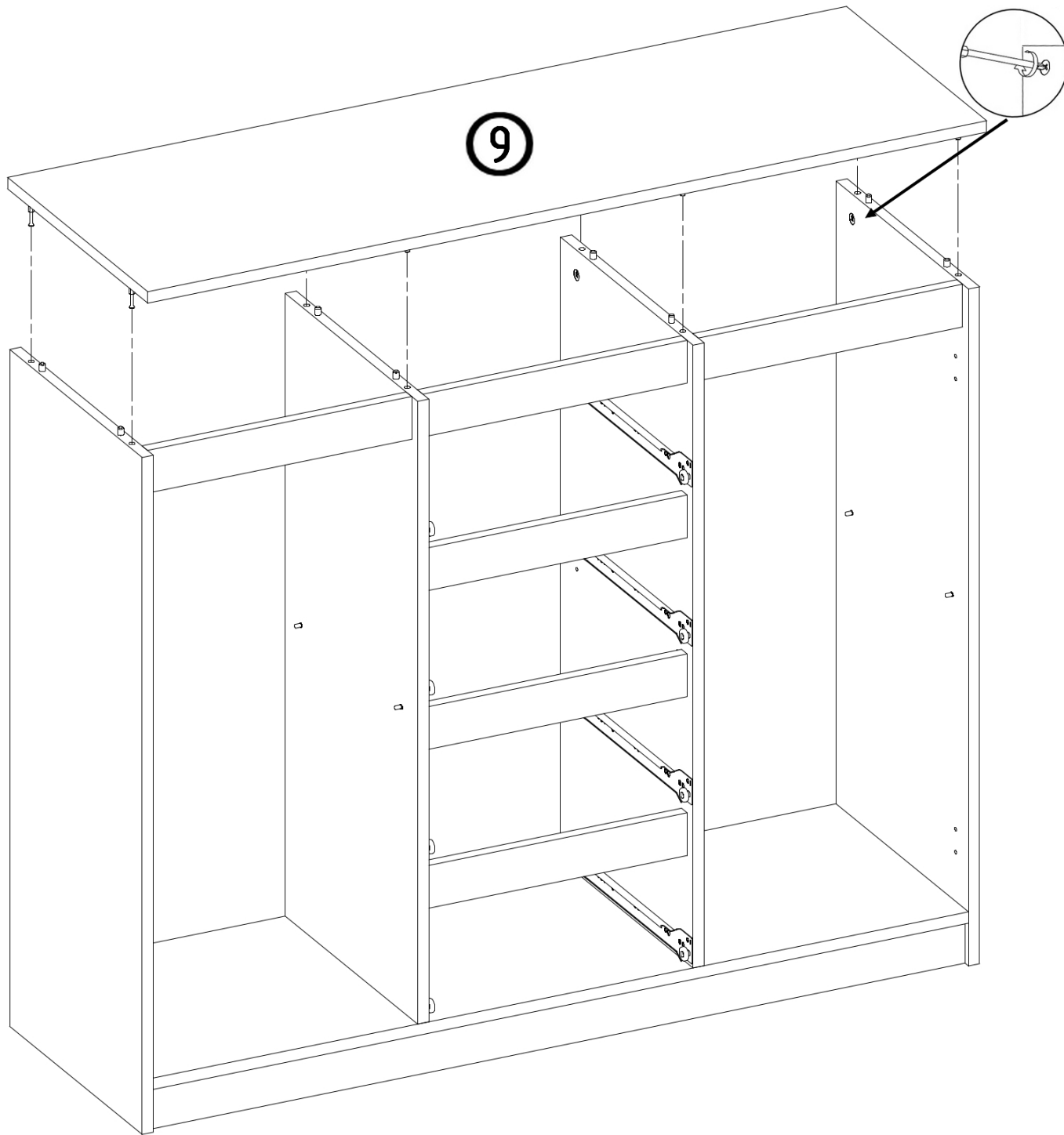
N2





9

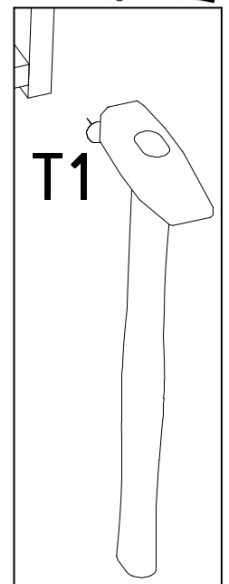
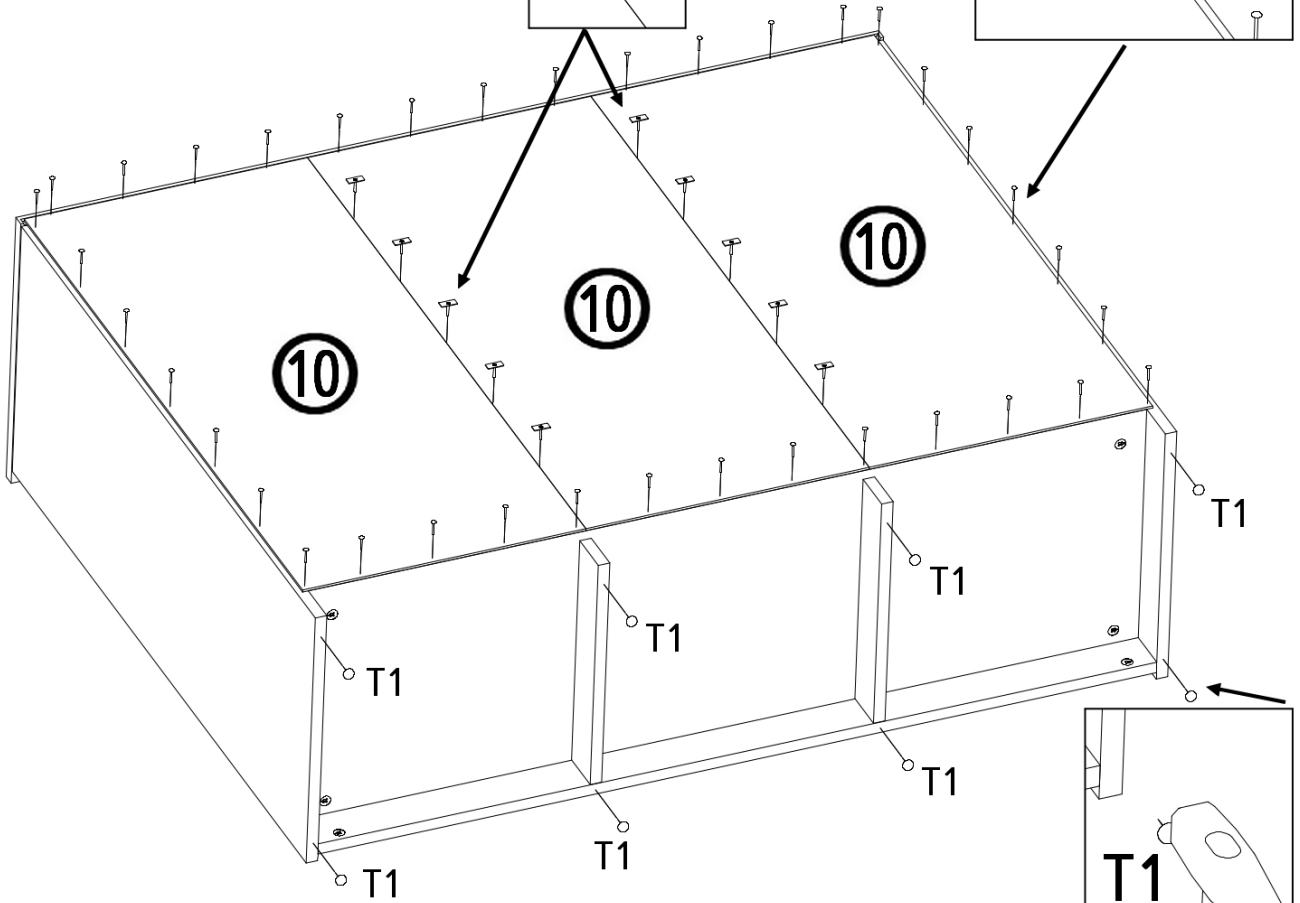
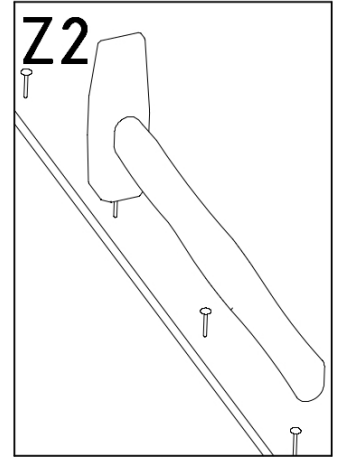
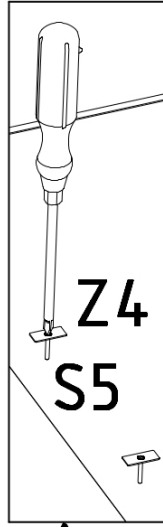
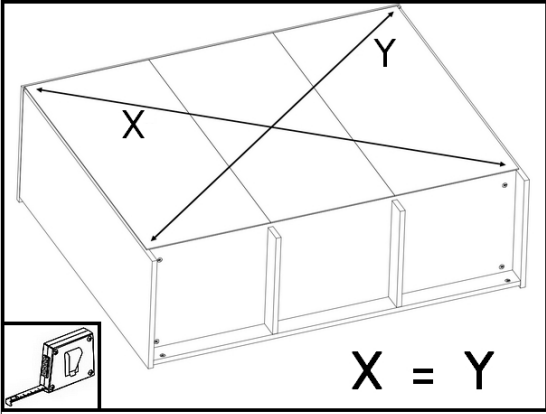
N2

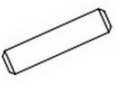

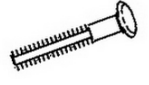
N2

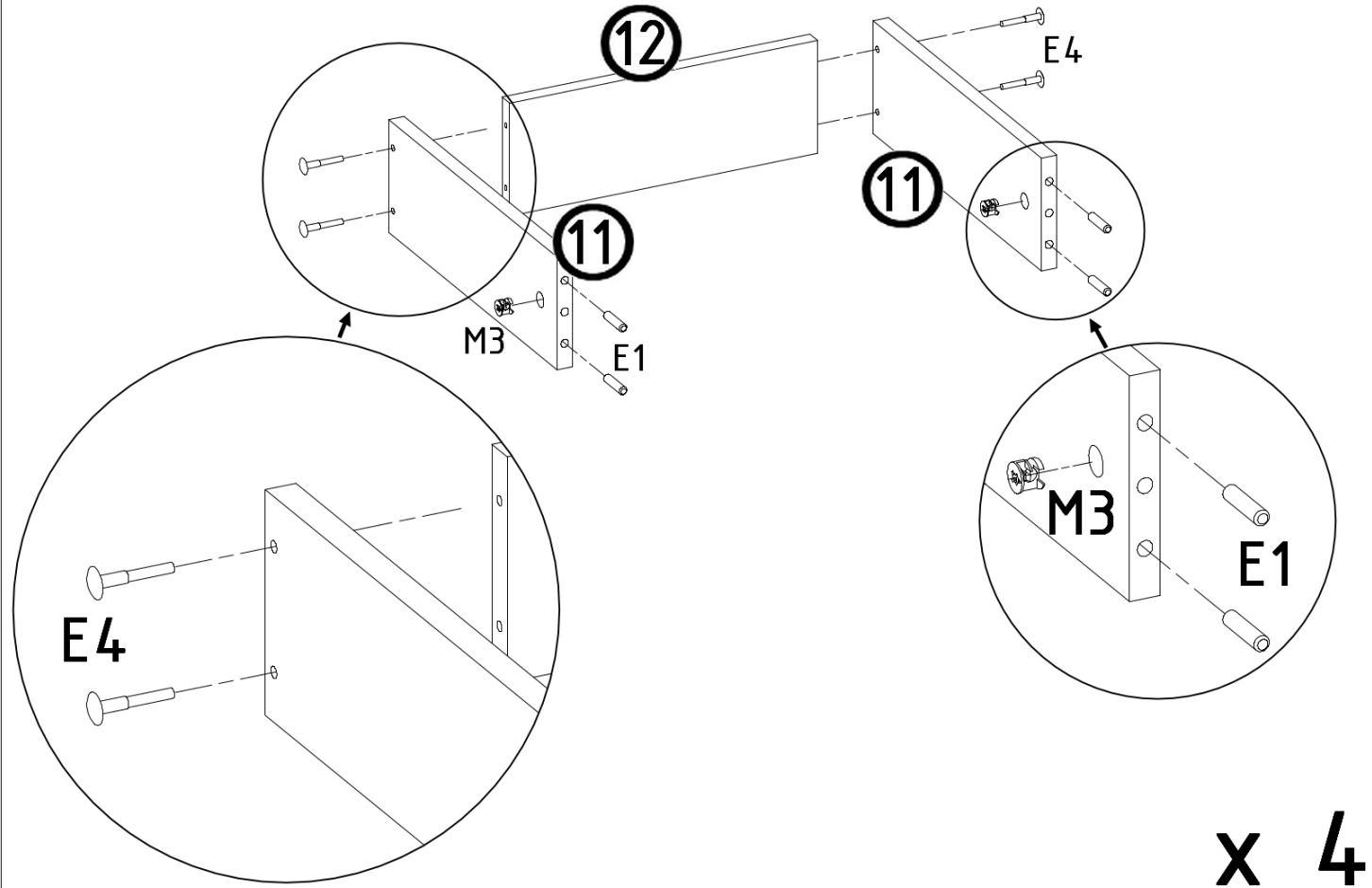




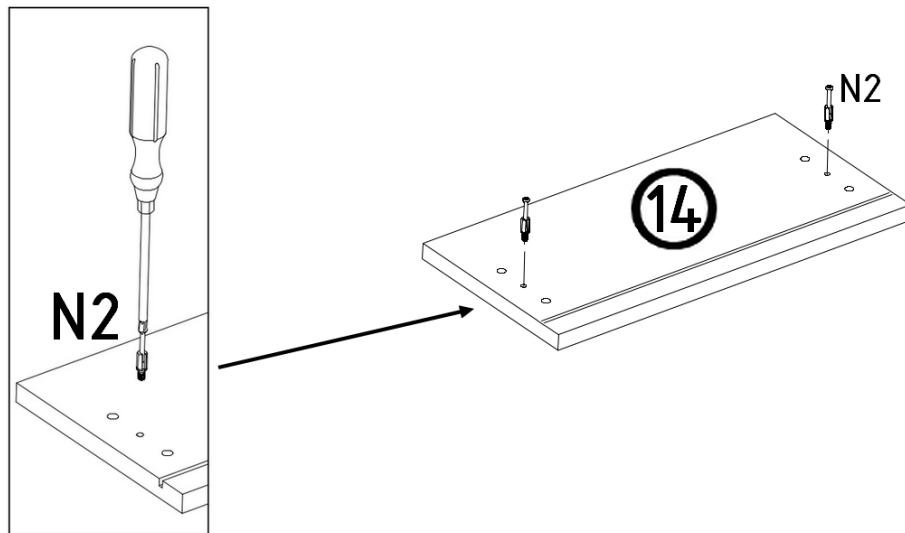
<b>S5</b>  2,5x20 x 10	<b>Z4</b>  x 10	<b>T1</b>  x 8	<b>Z2</b>  x 60
---	--	---	--



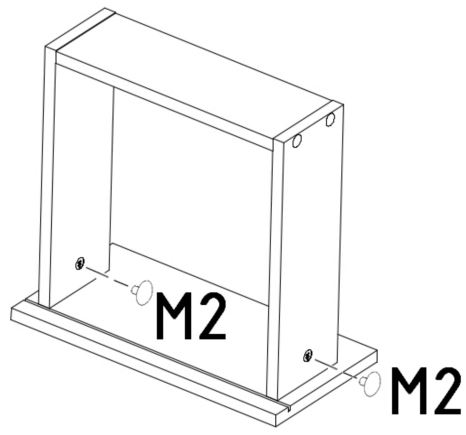
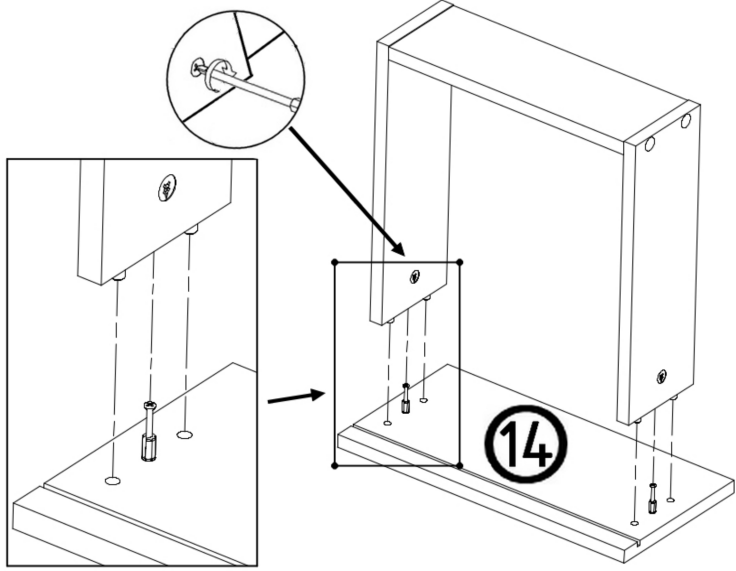
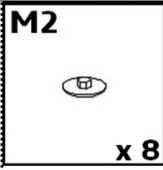
<b>E1</b>  8x35 x 16	<b>M3</b>  x 8	<b>E4</b>  x 16
--	--	---



<b>N2</b>  L=30,3 x 8
--

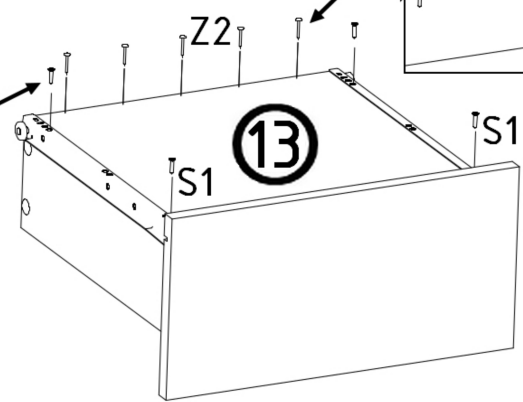
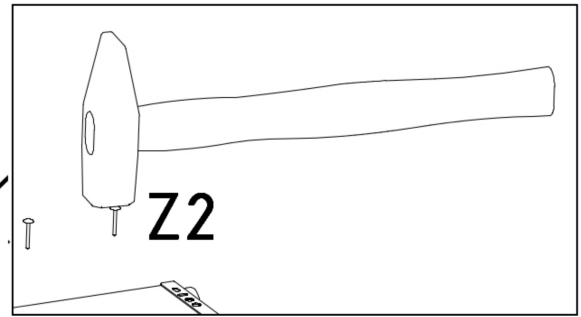
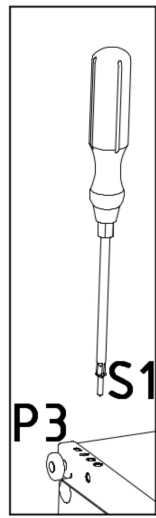
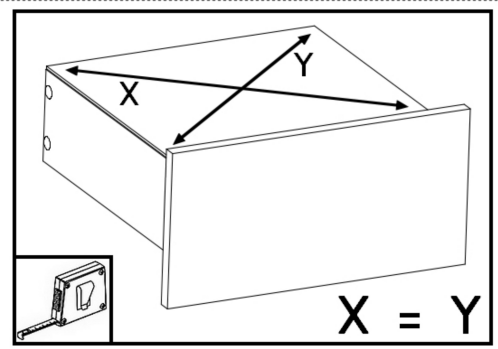
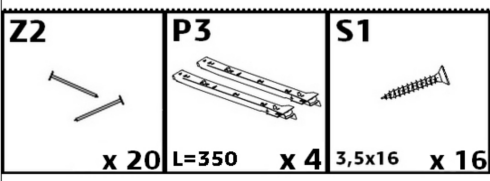


14


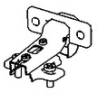


x 4

x 4



x 4

<b>S1</b>  3,5x16 <b>x 8</b>	<b>A0</b>  <b>x 4</b>
--	---

