








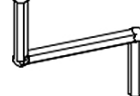


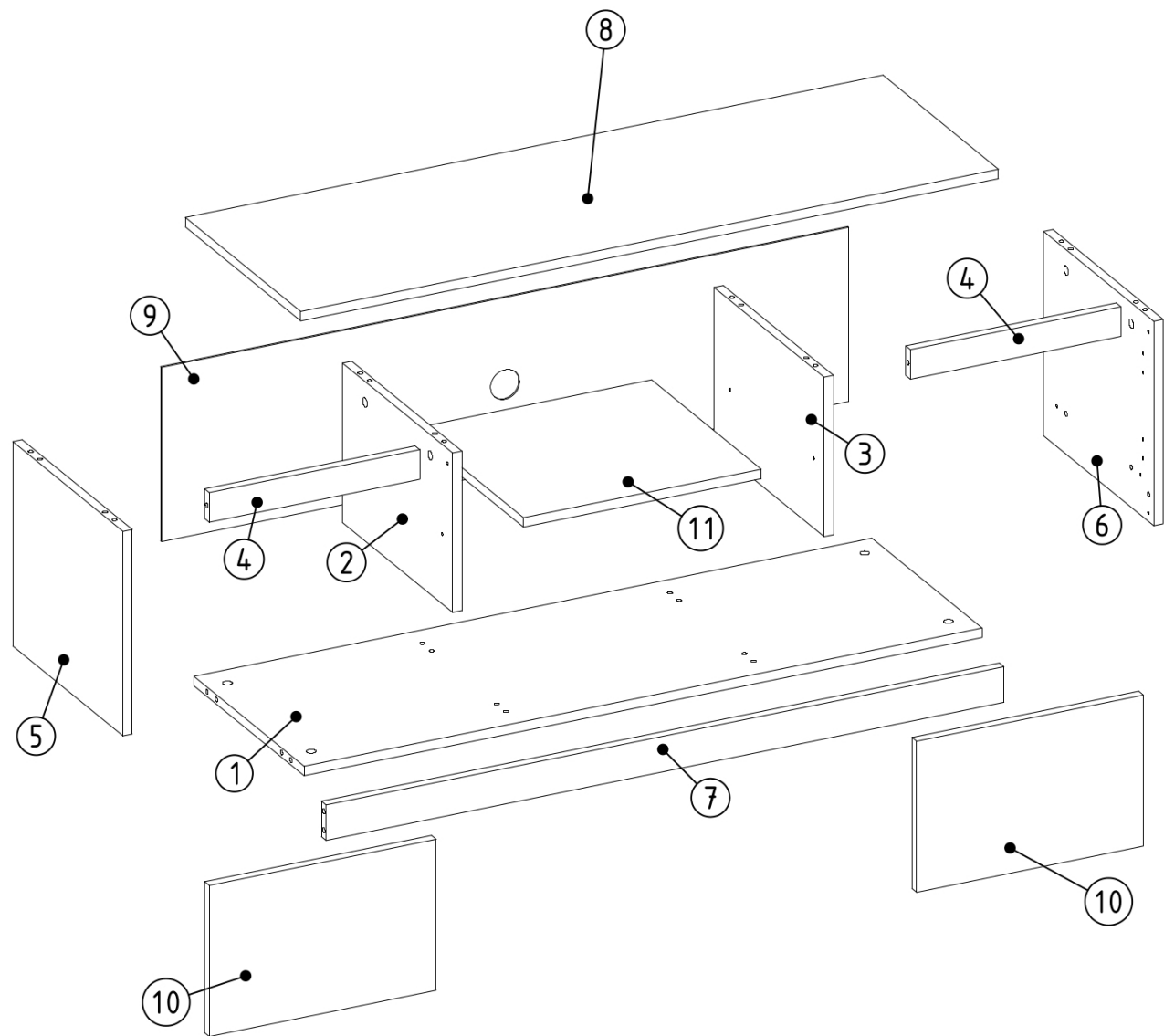


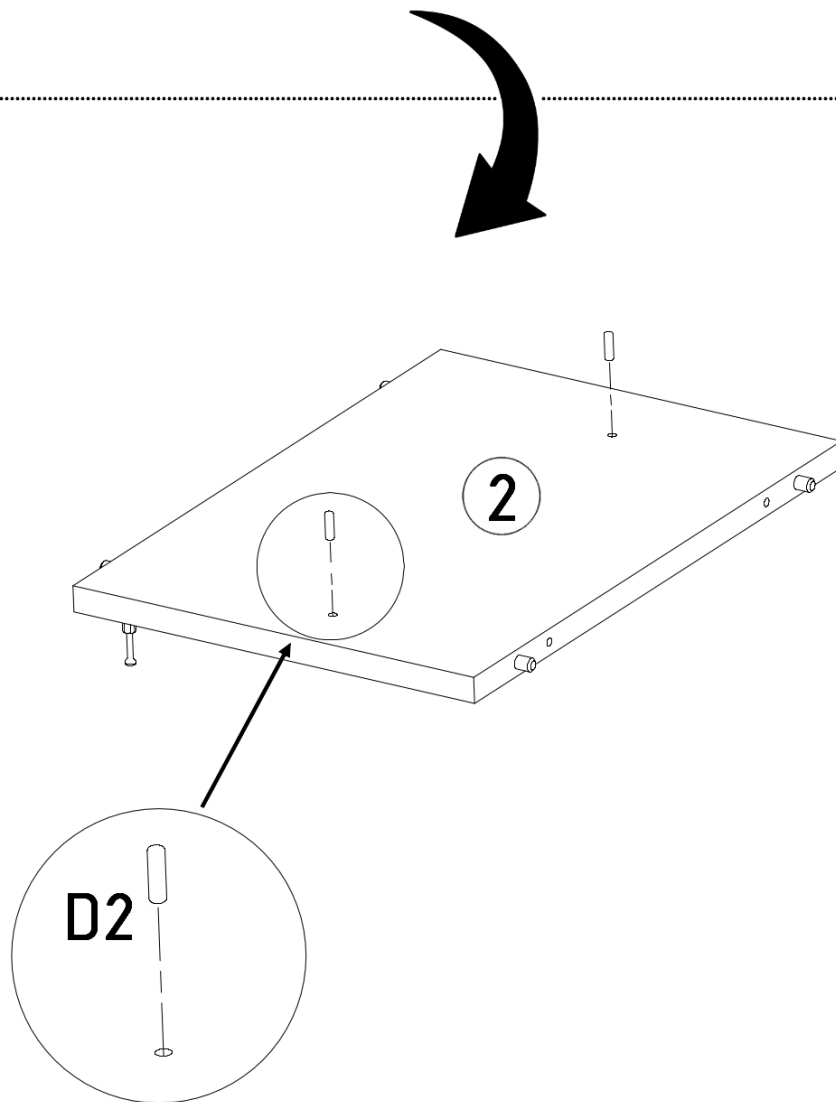
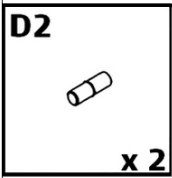
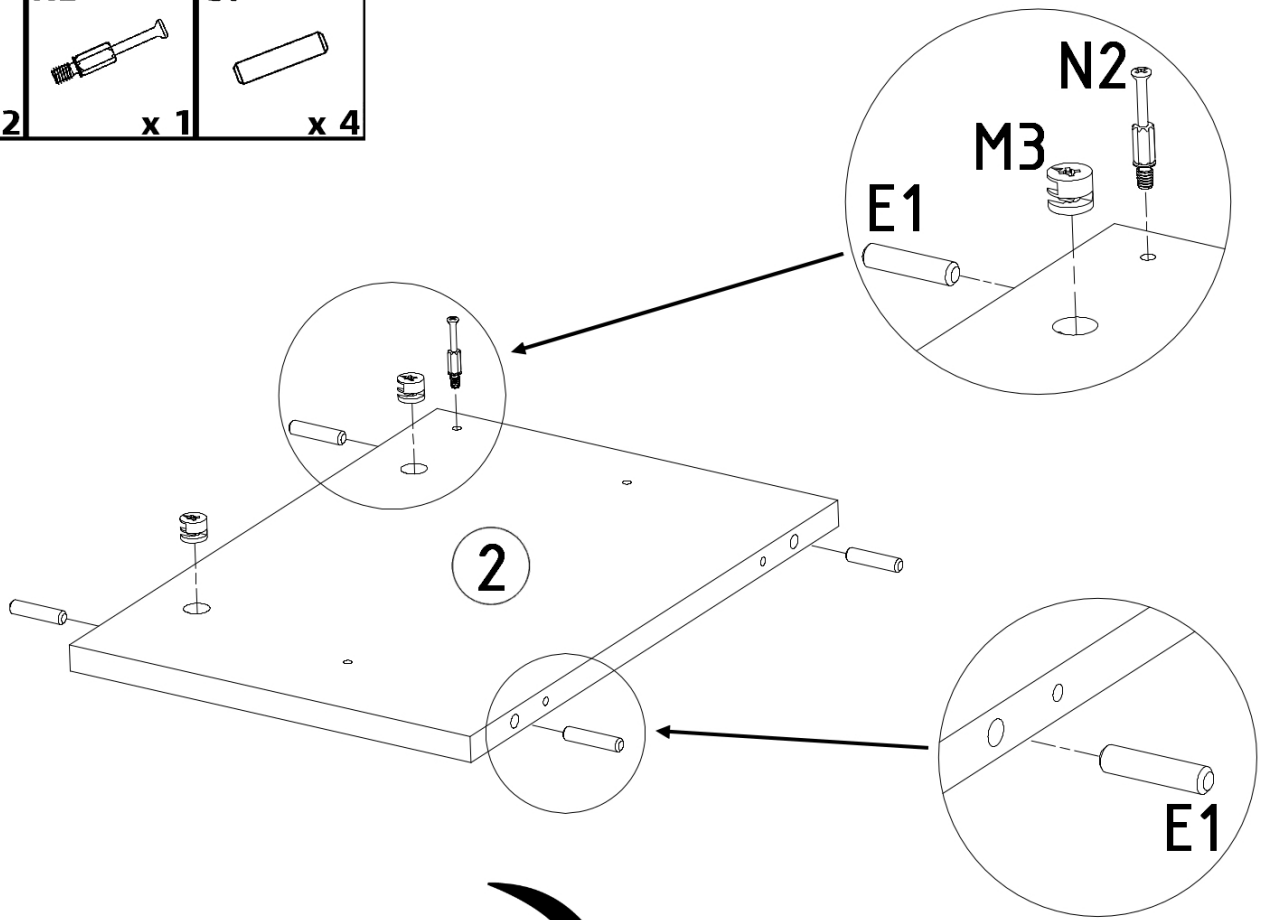
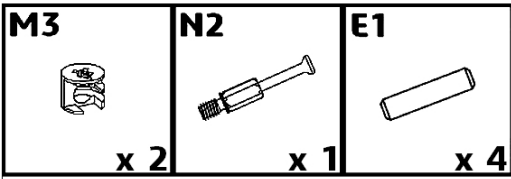
N2  30,3 x 18	M3  x 18	A0  ZW x 4	S1  3,5x16 x 10	E1  8x35 x 18	K3  x 1
T1  x 6	F2  x 4	Z2  x 50	K1  x 1	M2  x 4	D2  x 4




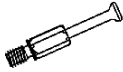
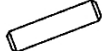
1	x	1
2	x	1
3	x	1
4	x	2
5	x	1

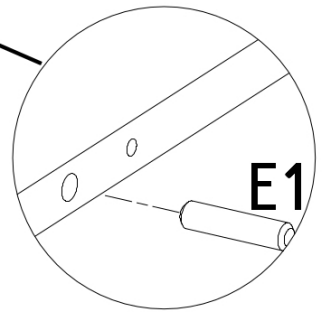
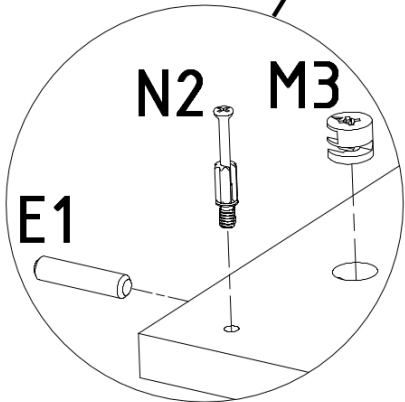
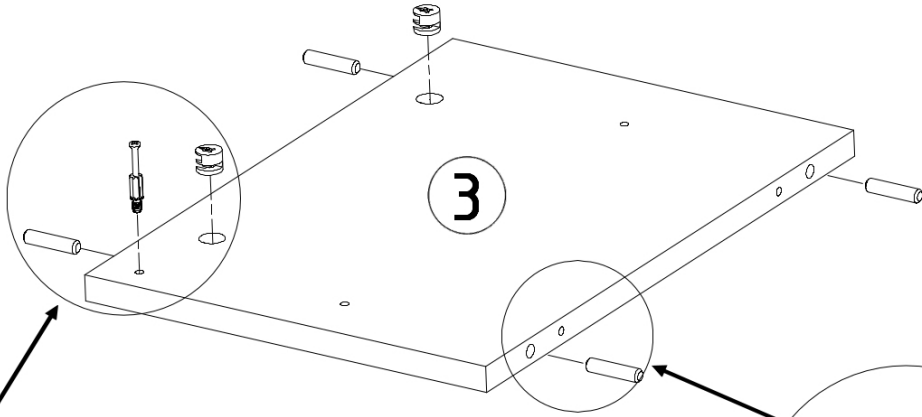
6	x	1
7	x	1
8	x	1
9	x	1
10	x	2
11	x	1


2

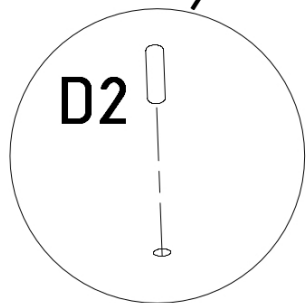
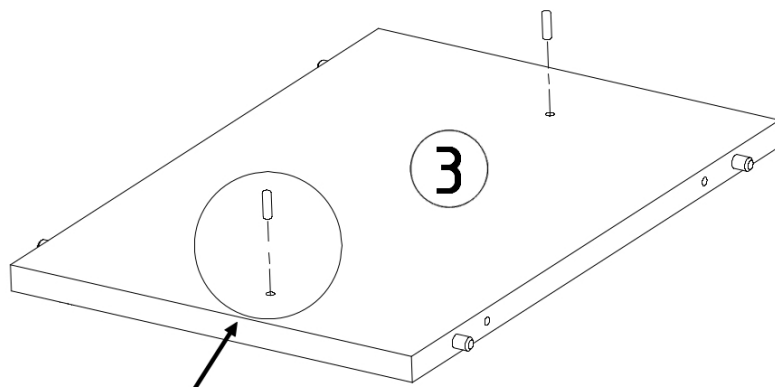





3

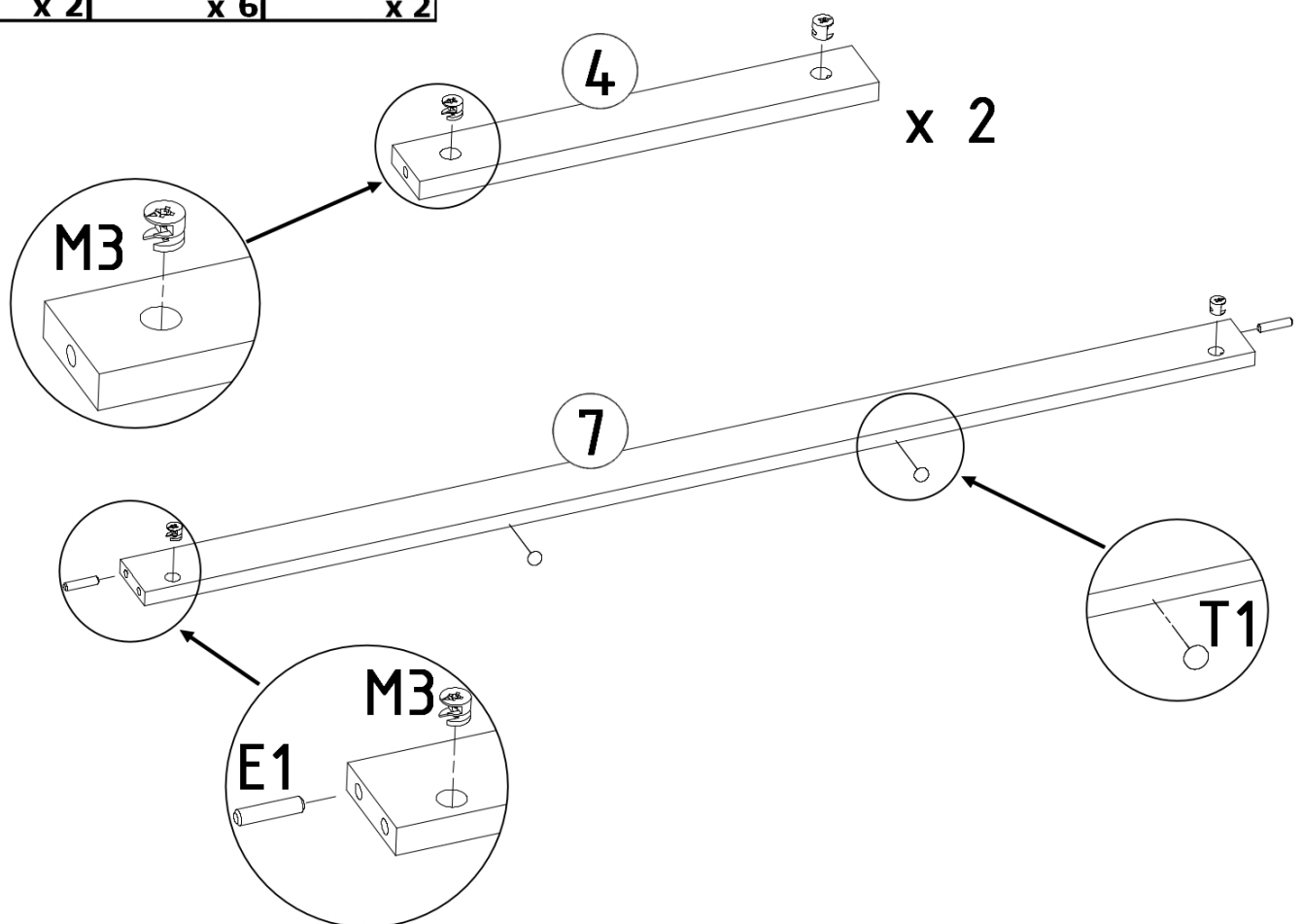
M3  x 2	N2  x 1	E1  x 4
---	--	---





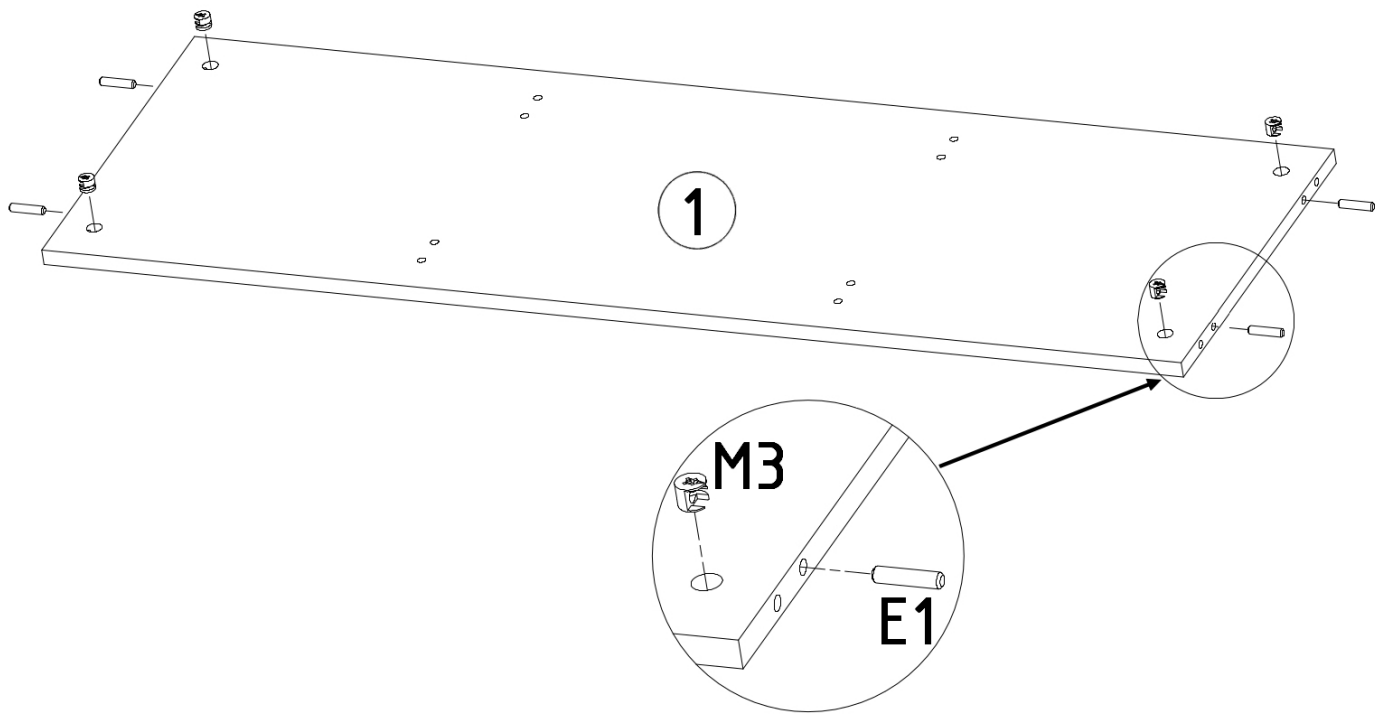
D2  x 2

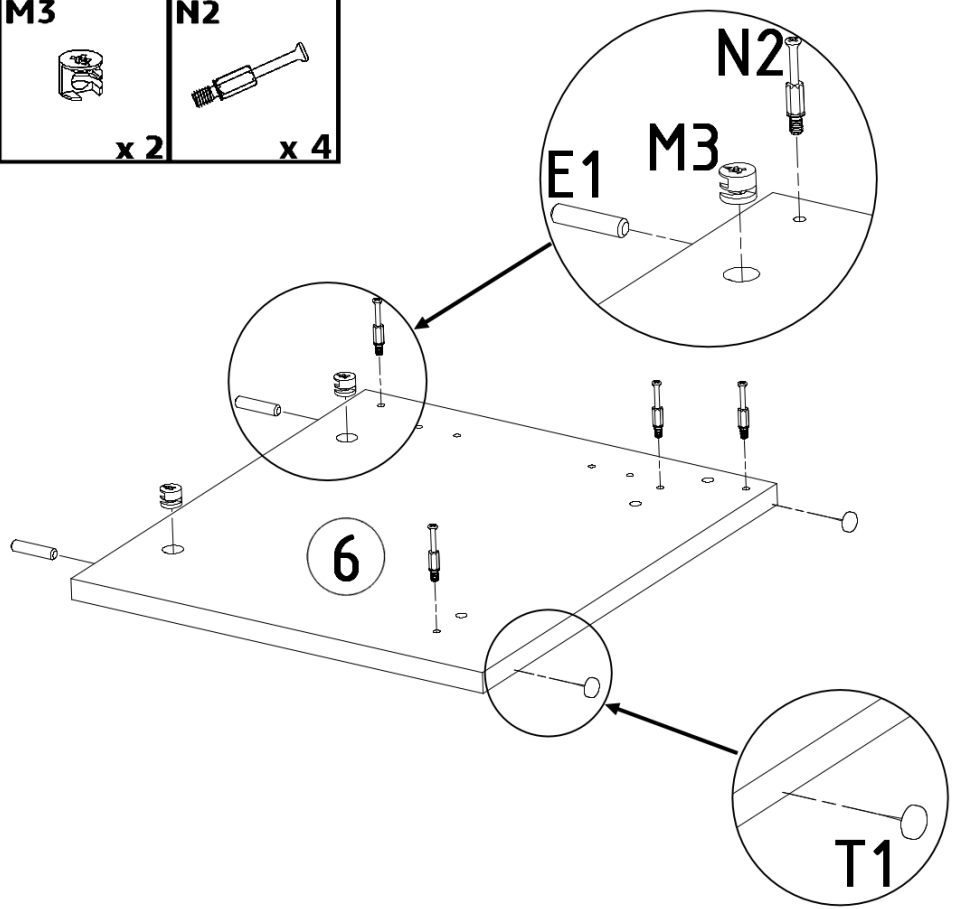
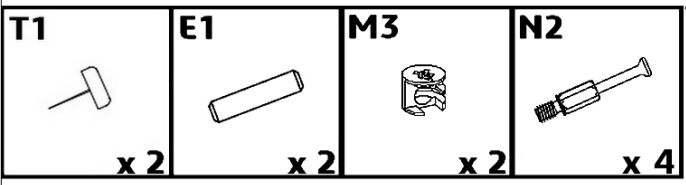
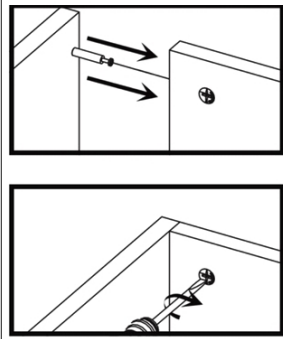
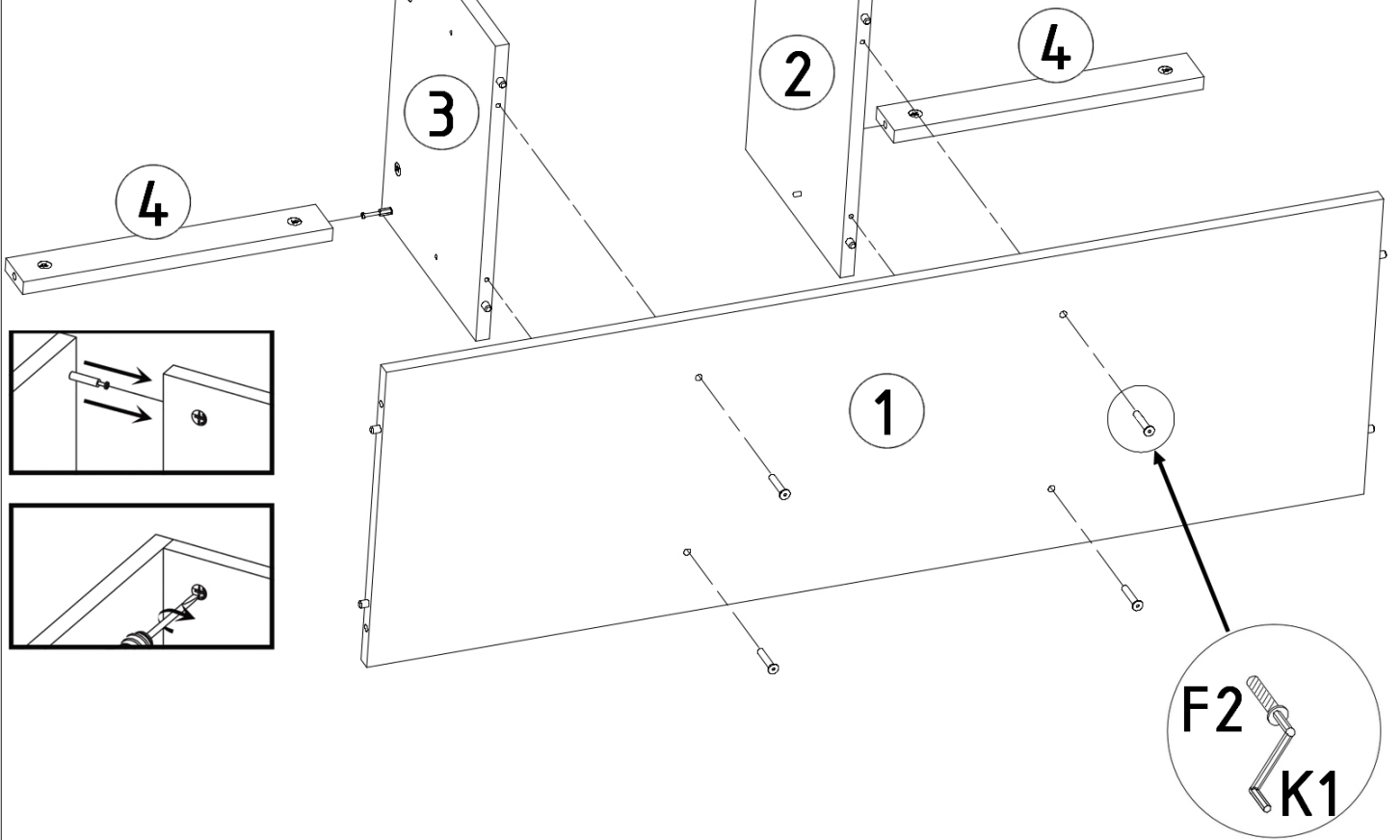
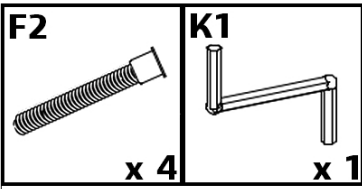





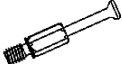
E1  x 2	M3  x 6	T1  x 2
--	--	--

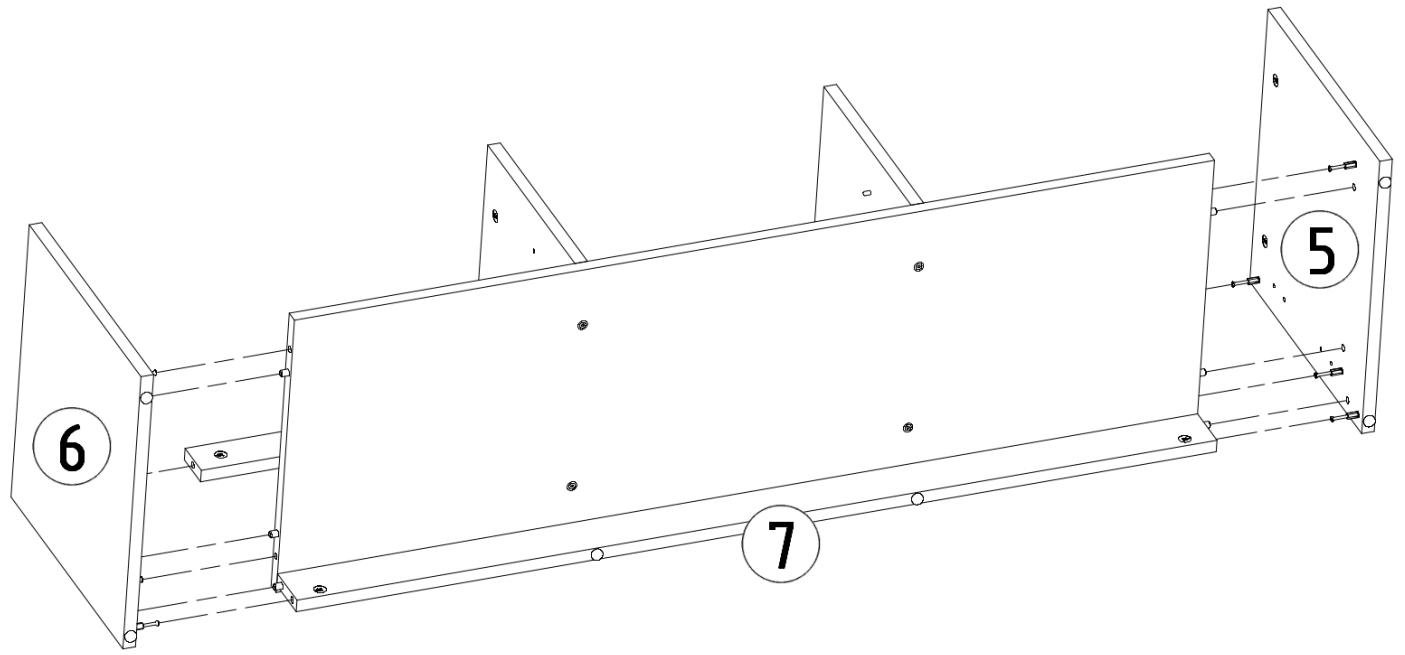
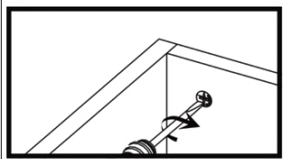
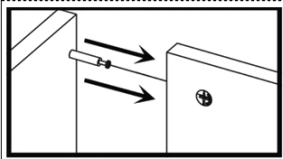
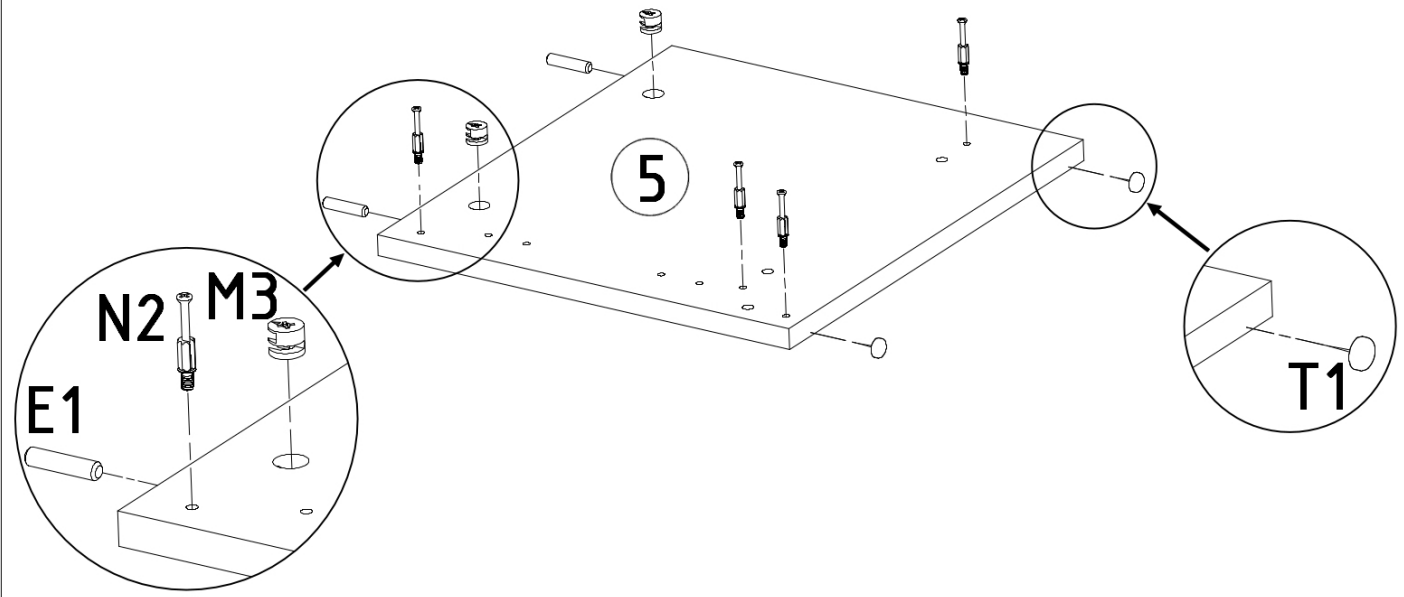



E1  x 4	M3  x 4
---	---

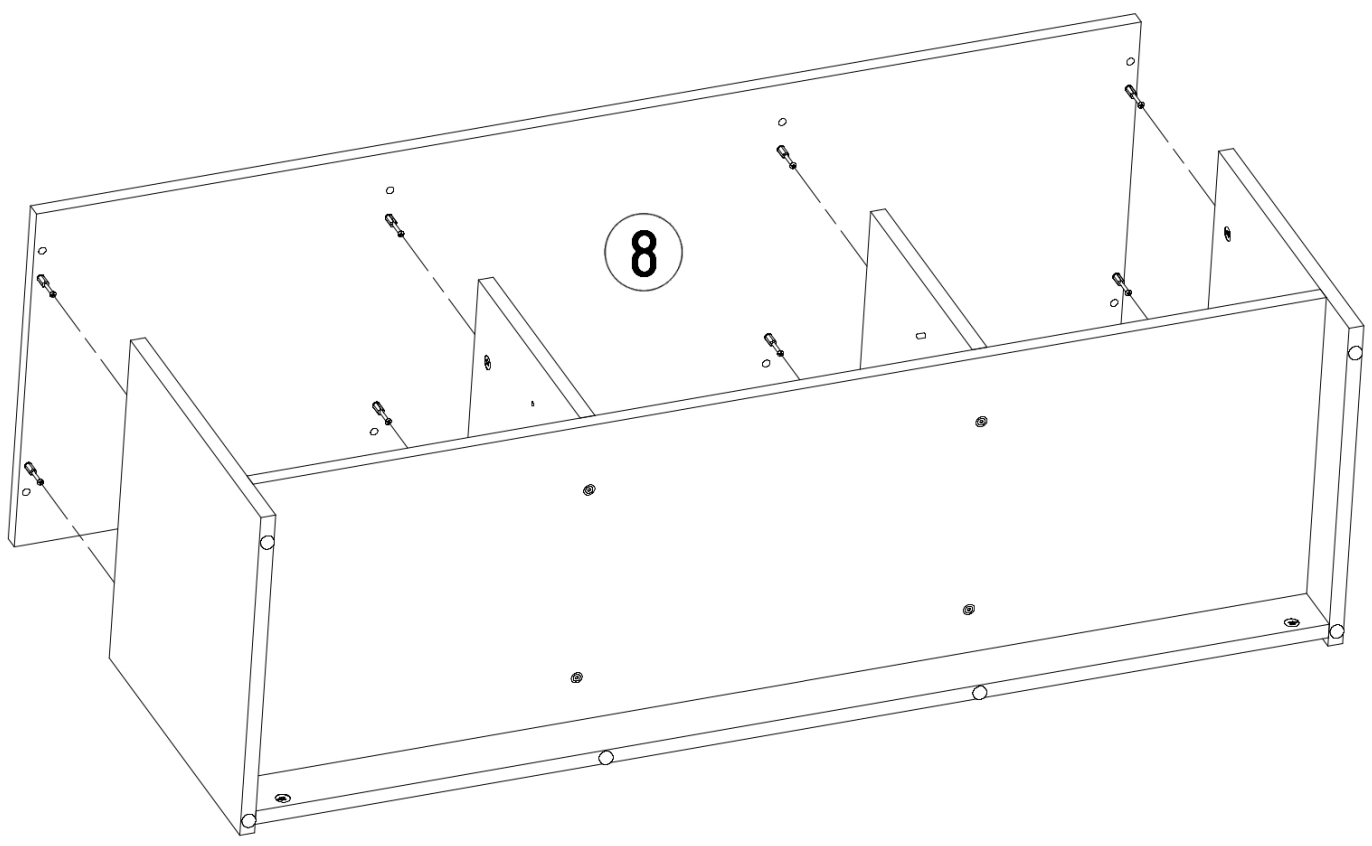
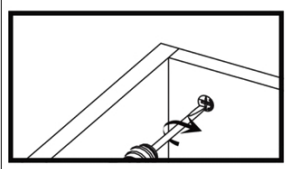
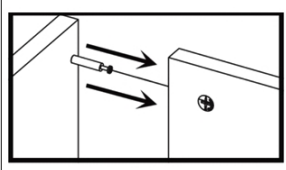
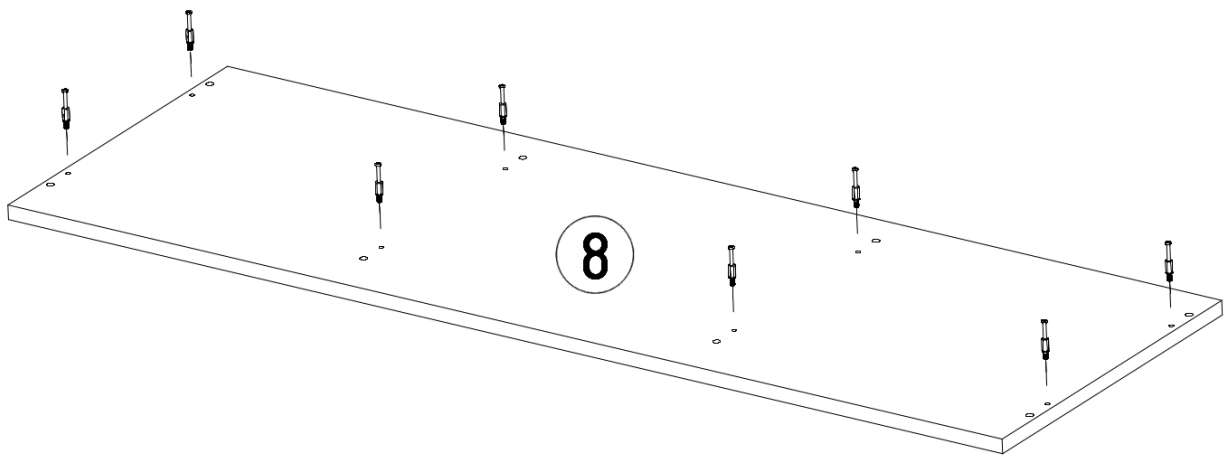







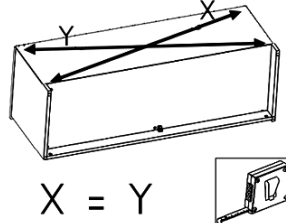
T1  x 2	E1  x 2	M3  x 2	N2  x 4
---	---	--	--



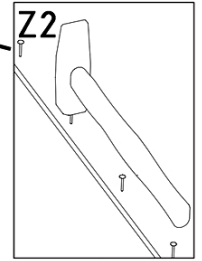
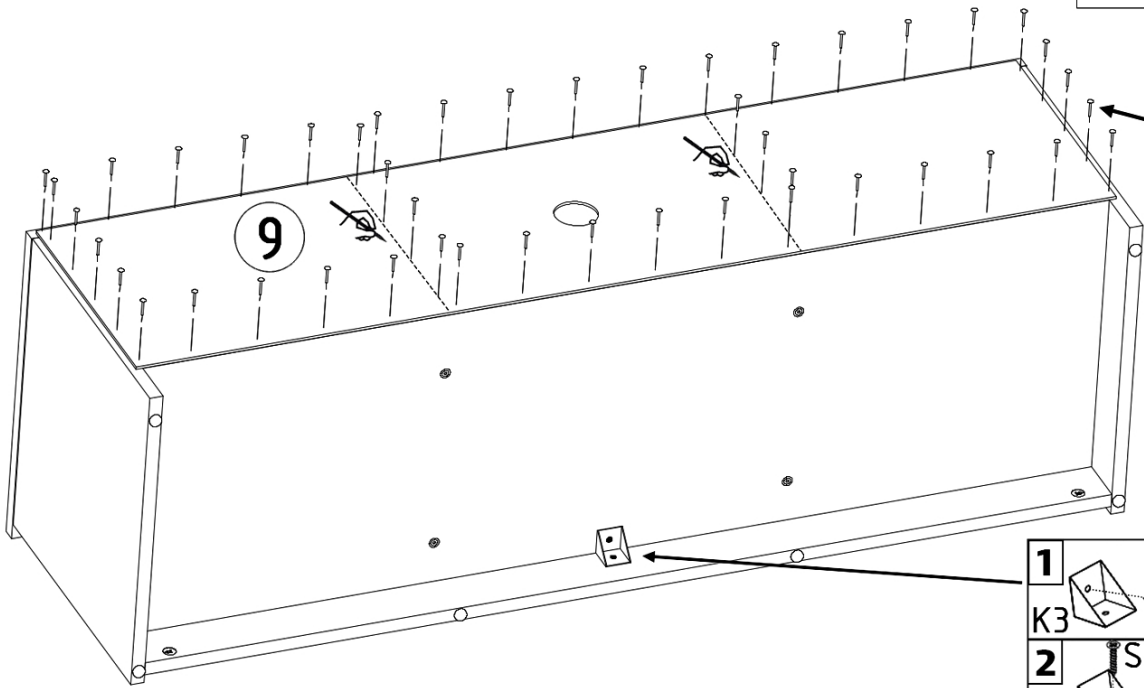
N2

x 8







K3 	S1 	Z2 
x 1	3,5x16	x 2
		x 50

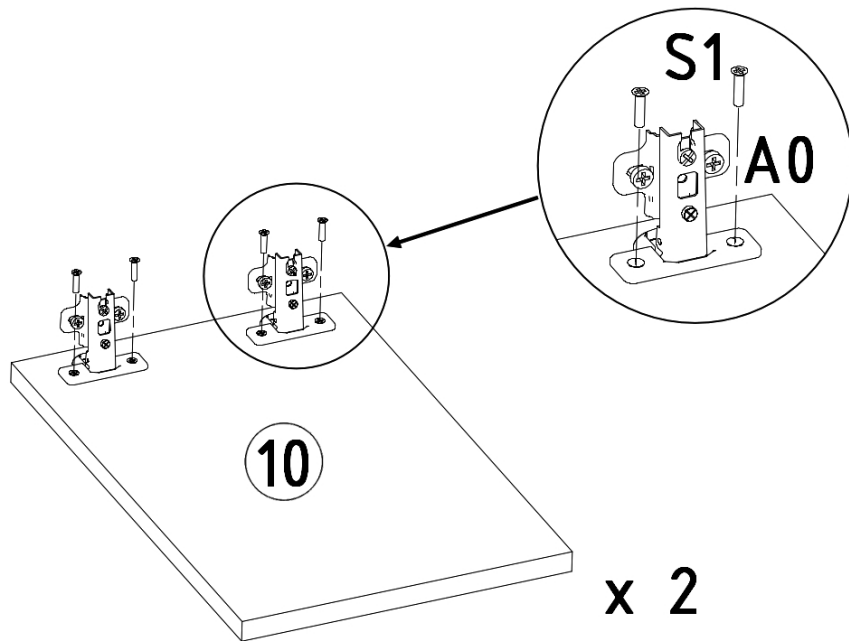


$X = Y$



1		S1
K3		
2		S1
K3		

A0 	S1 
x 4	3,5x16
	x 8



x 2

