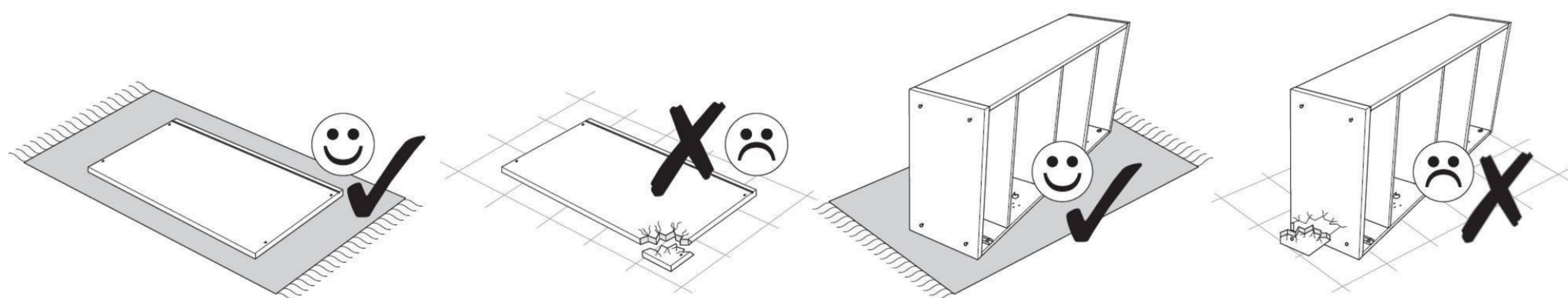
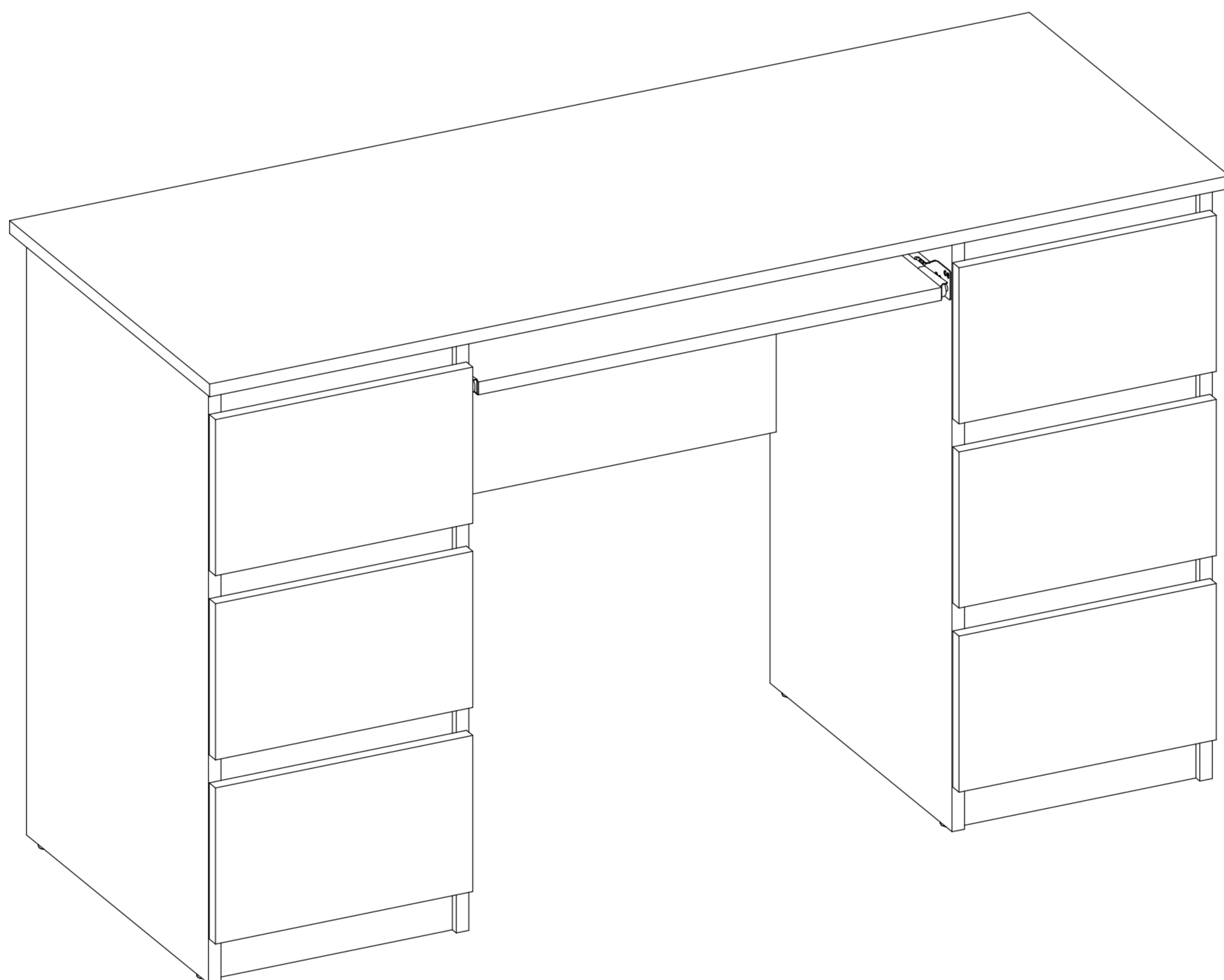
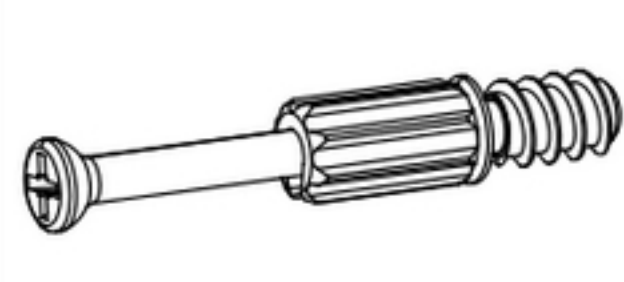
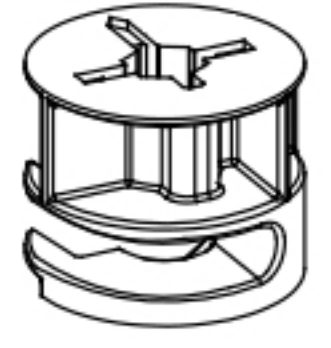
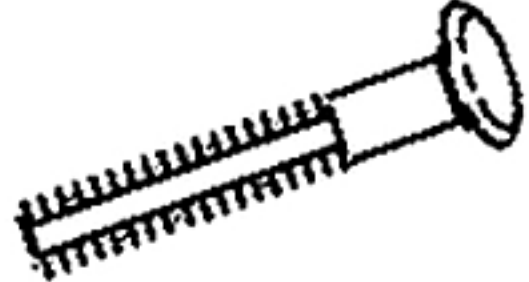
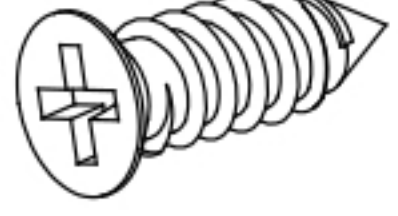
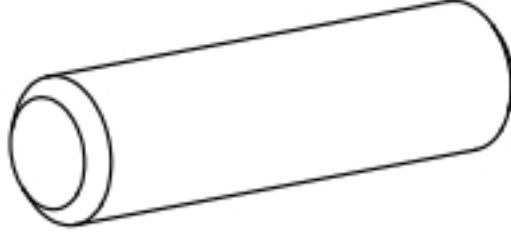
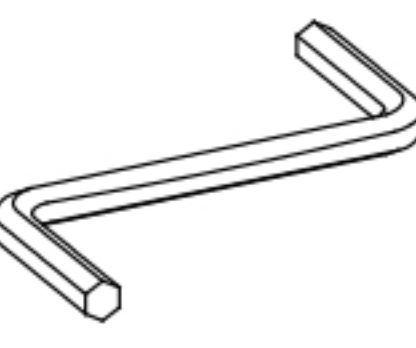



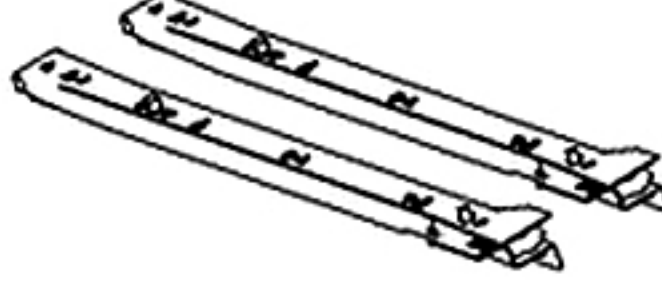
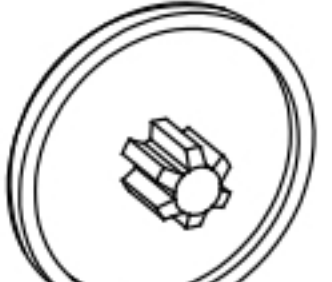
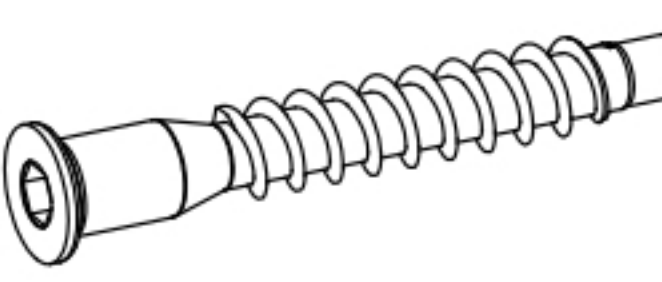
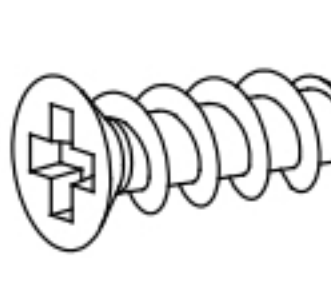
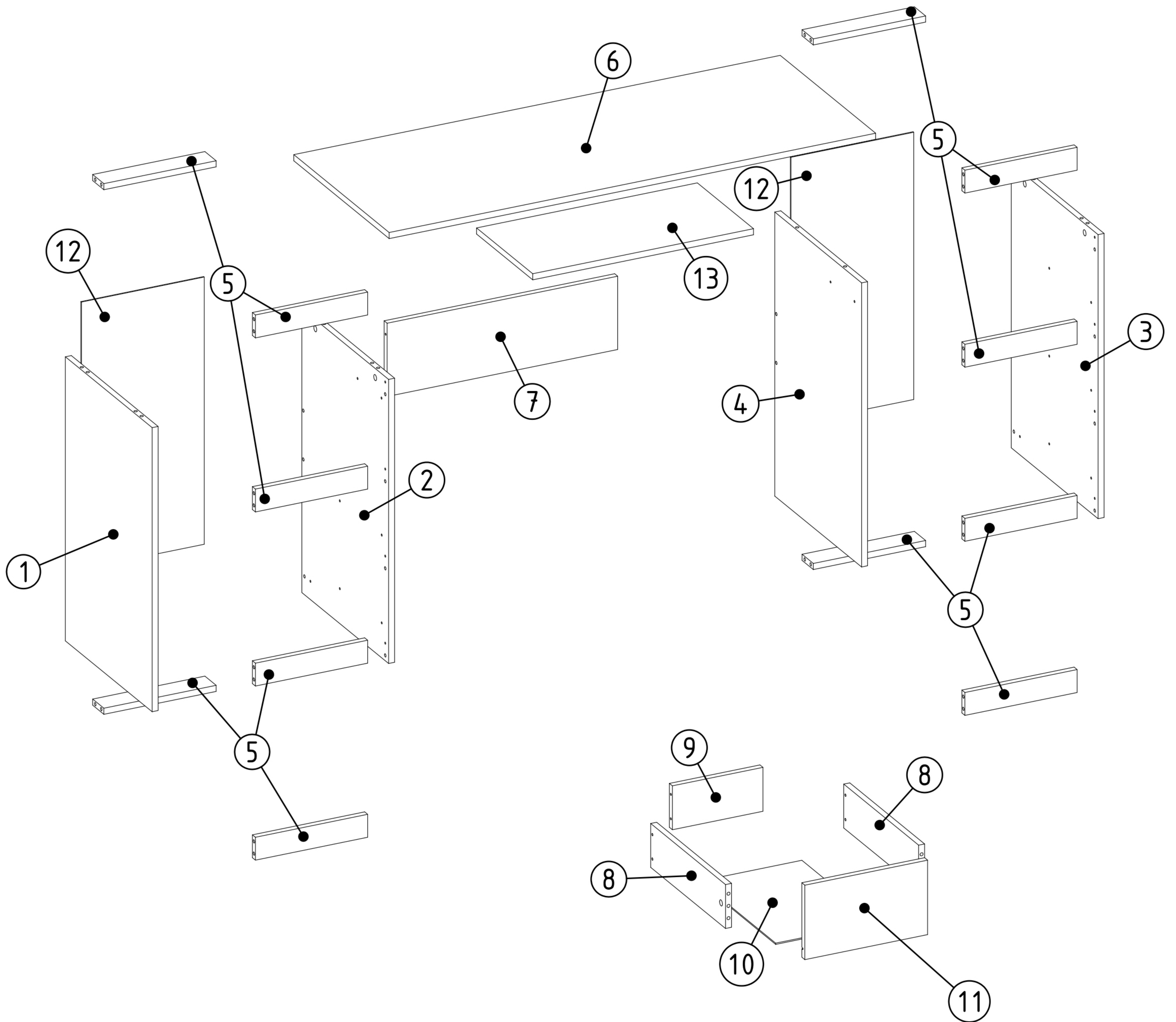


22/09/2020

KUBA 6S

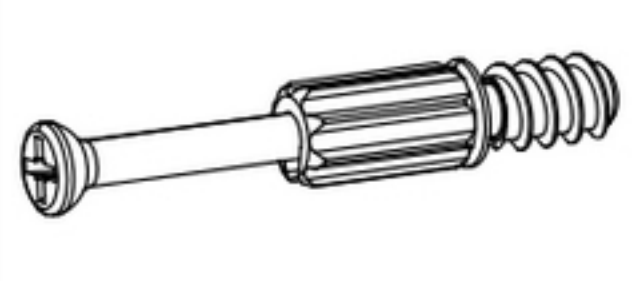
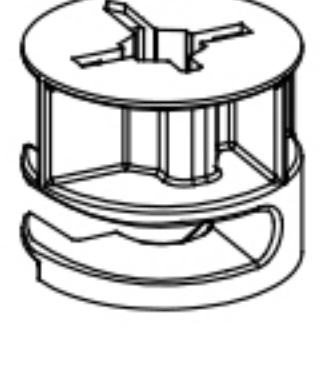

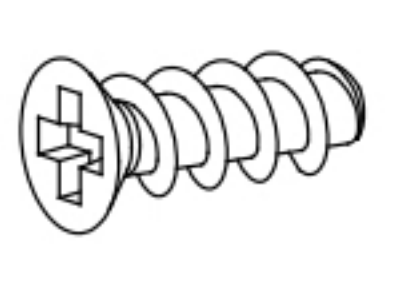
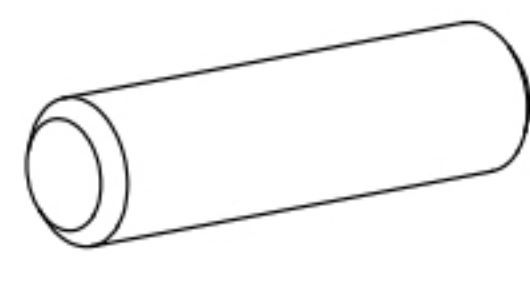



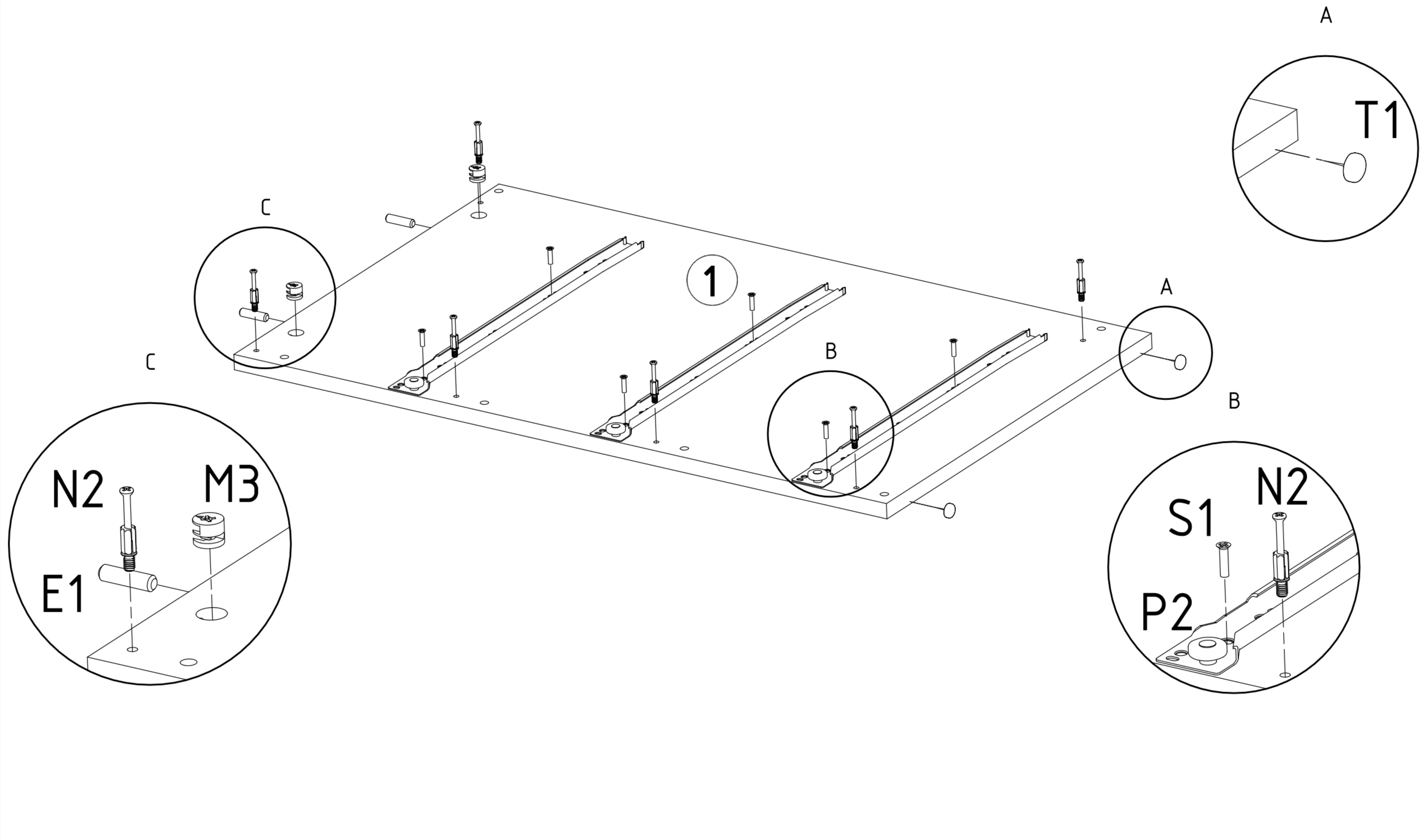
N2  L=20,3 x44	M3  x44	E4  x24	S1  3,5x16 x28	E1  8x30 x56	K1  x1	
T1  x8	Z2  x100	P3  L=300 x1	P2  L=400 x6	M2  x12	F2  x4	S15  6x8 x28

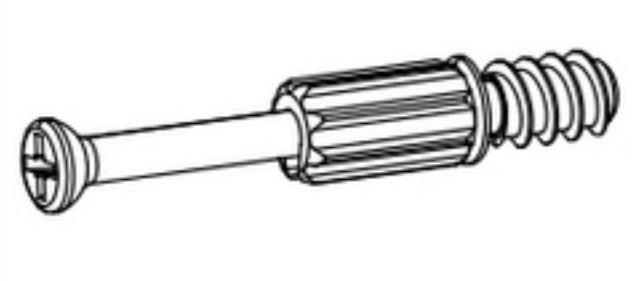
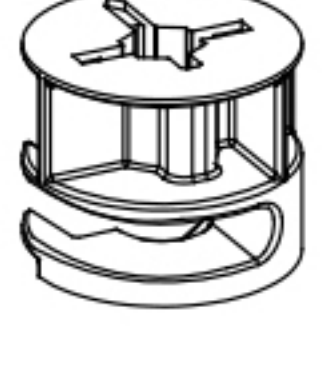

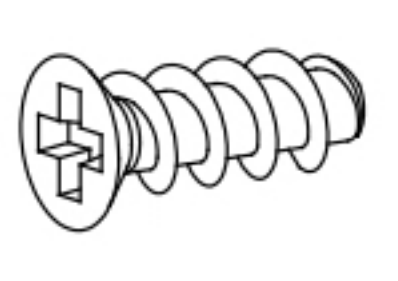
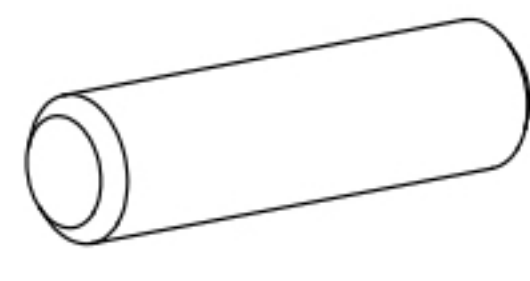



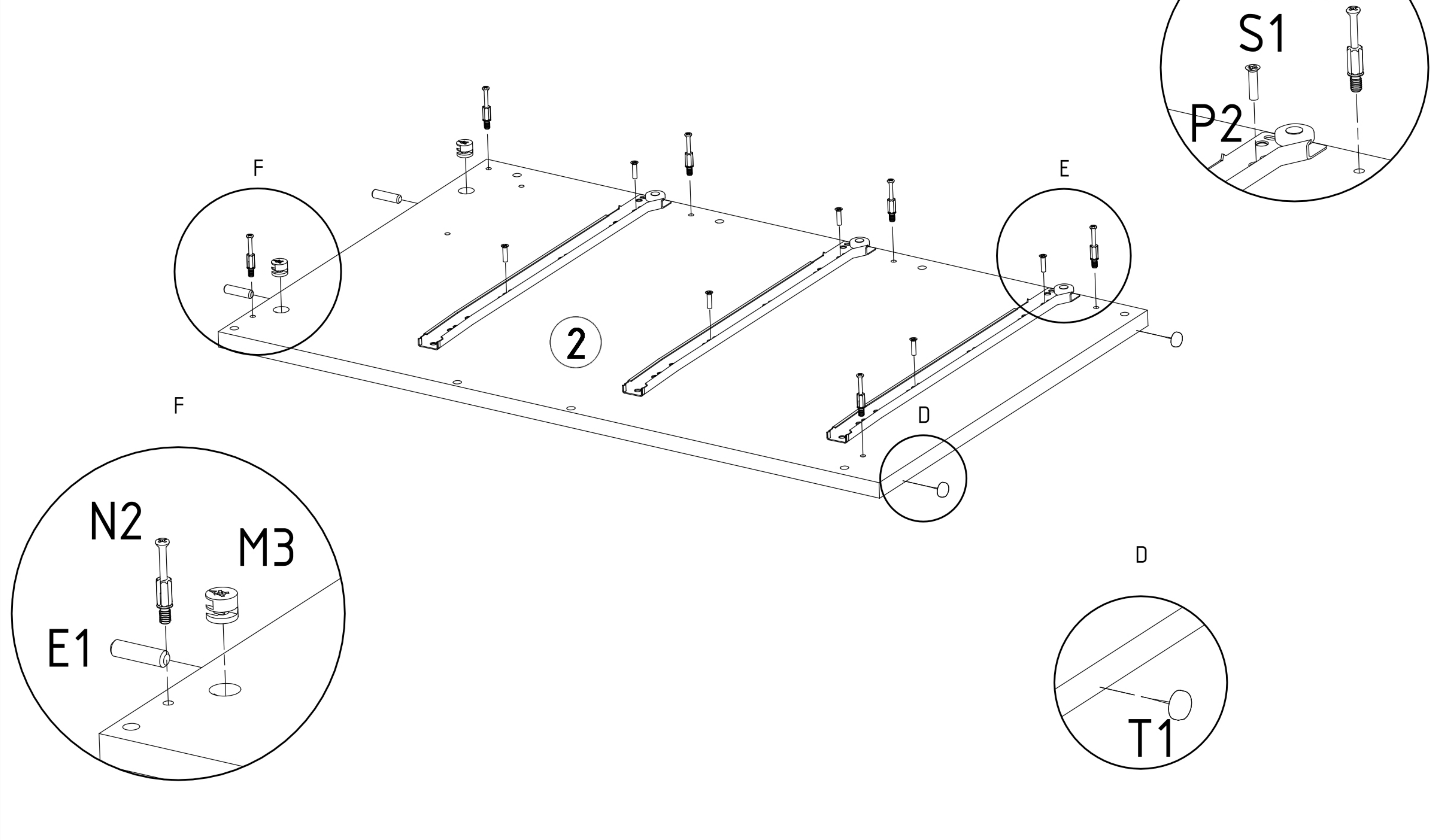
1	x	1
2	x	1
3	x	1
4	x	1
5	x	12
6	x	1
7	x	1

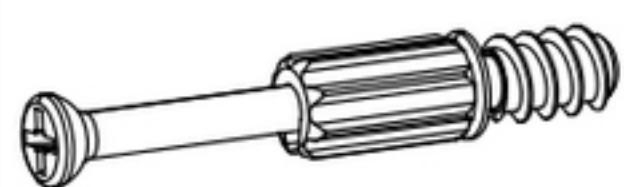
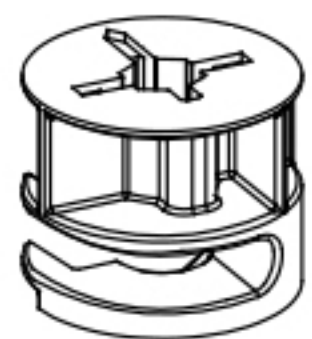

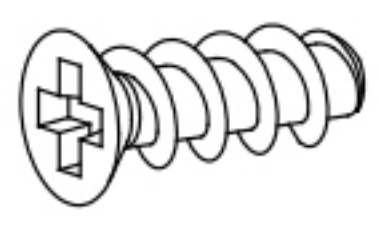
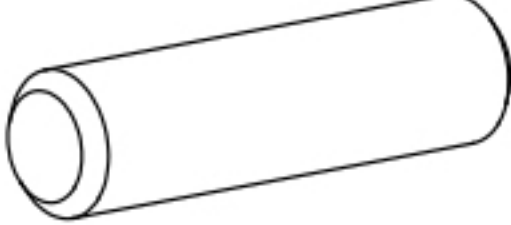

8	x	12
9	x	6
10	x	6
11	x	6
12	x	2
13	x	1

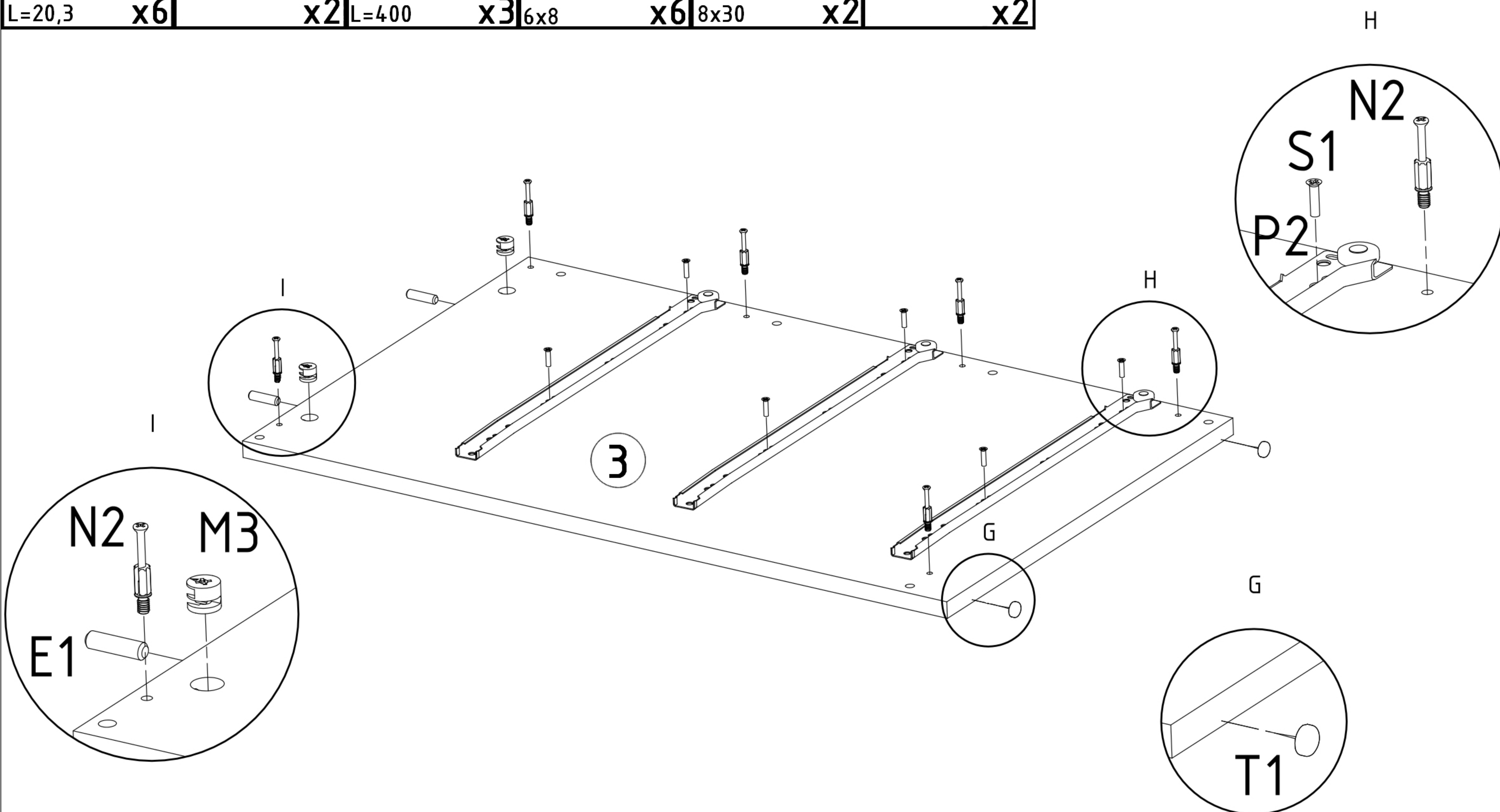
N2  L=20,3 x6	M3  x2	P2  L=400 x3	S15  6x8 x6	E1  8x30 x2	T1  x2
------------------------------------------------------------------------------------------------------------	------------------------------------------------------------------------------------------------------	------------------------------------------------------------------------------------------------------------	-----------------------------------------------------------------------------------------------------------	------------------------------------------------------------------------------------------------------------	--------------------------------------------------------------------------------------------------------

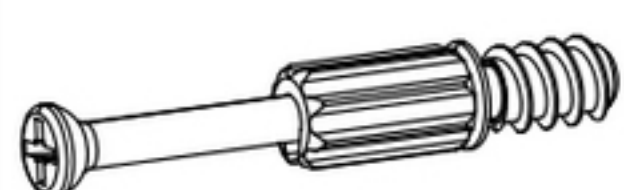


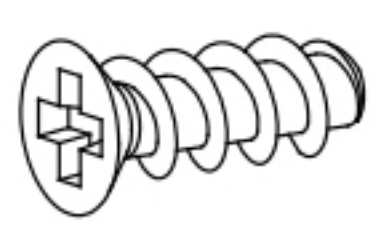
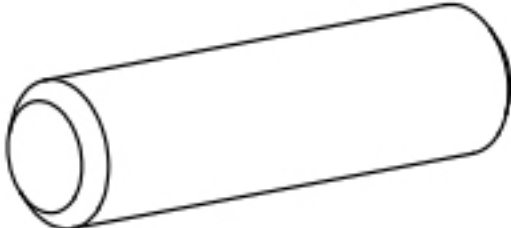



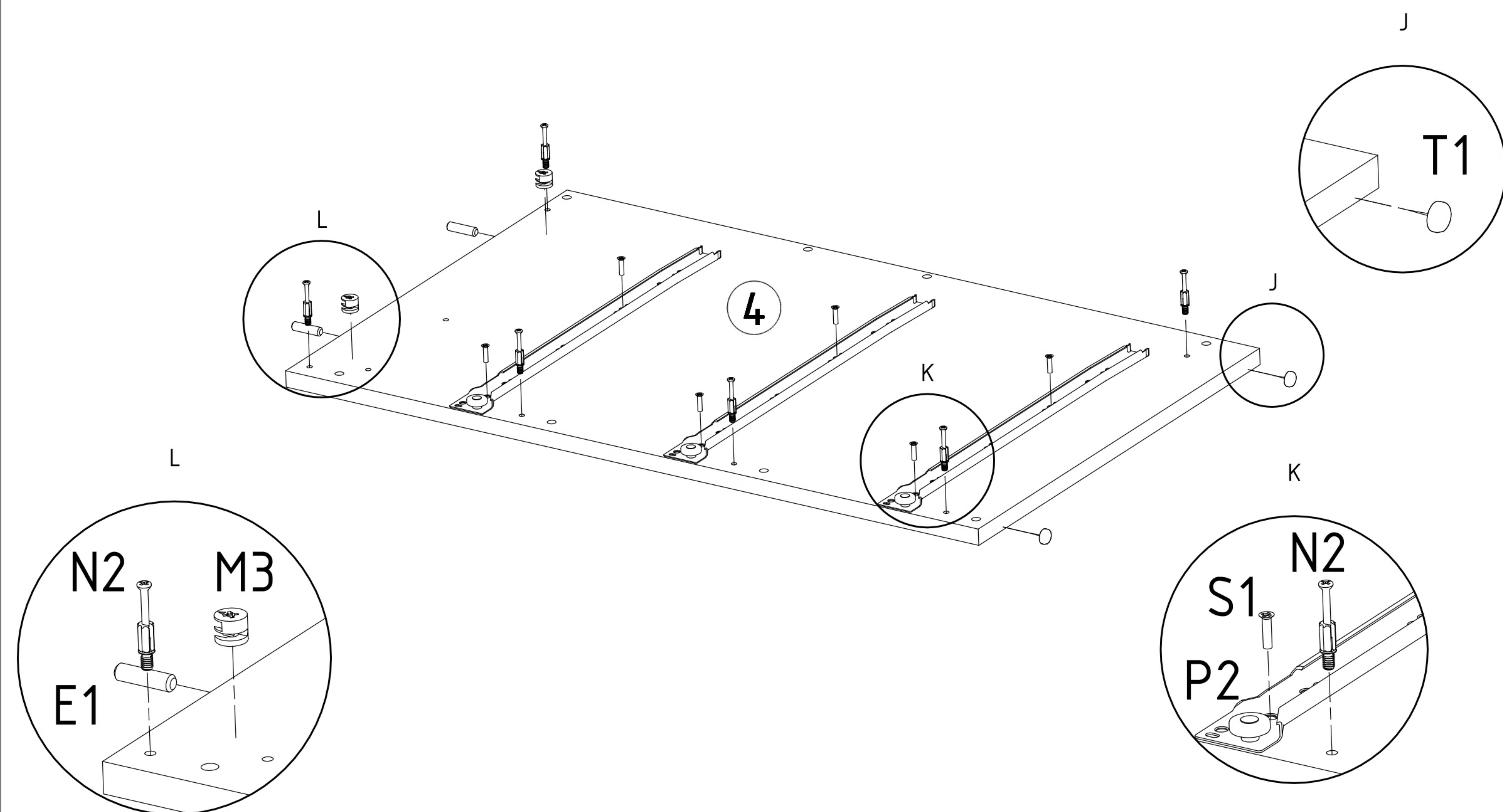
N2  L=20,3 x6	M3  x2	P2  L=400 x3	S15  6x8 x6	E1  8x30 x2	T1  x2
--------------------------------------------------------------------------------------------------------------	--------------------------------------------------------------------------------------------------------	--------------------------------------------------------------------------------------------------------------	-------------------------------------------------------------------------------------------------------------	--------------------------------------------------------------------------------------------------------------	----------------------------------------------------------------------------------------------------------

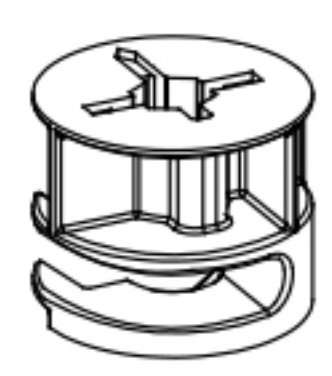
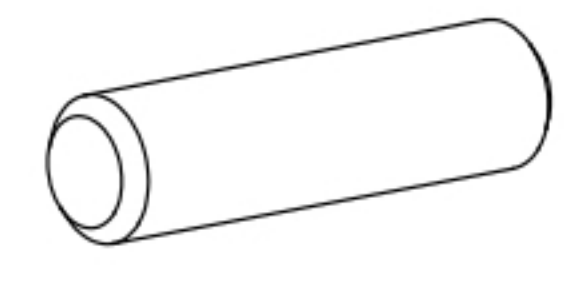


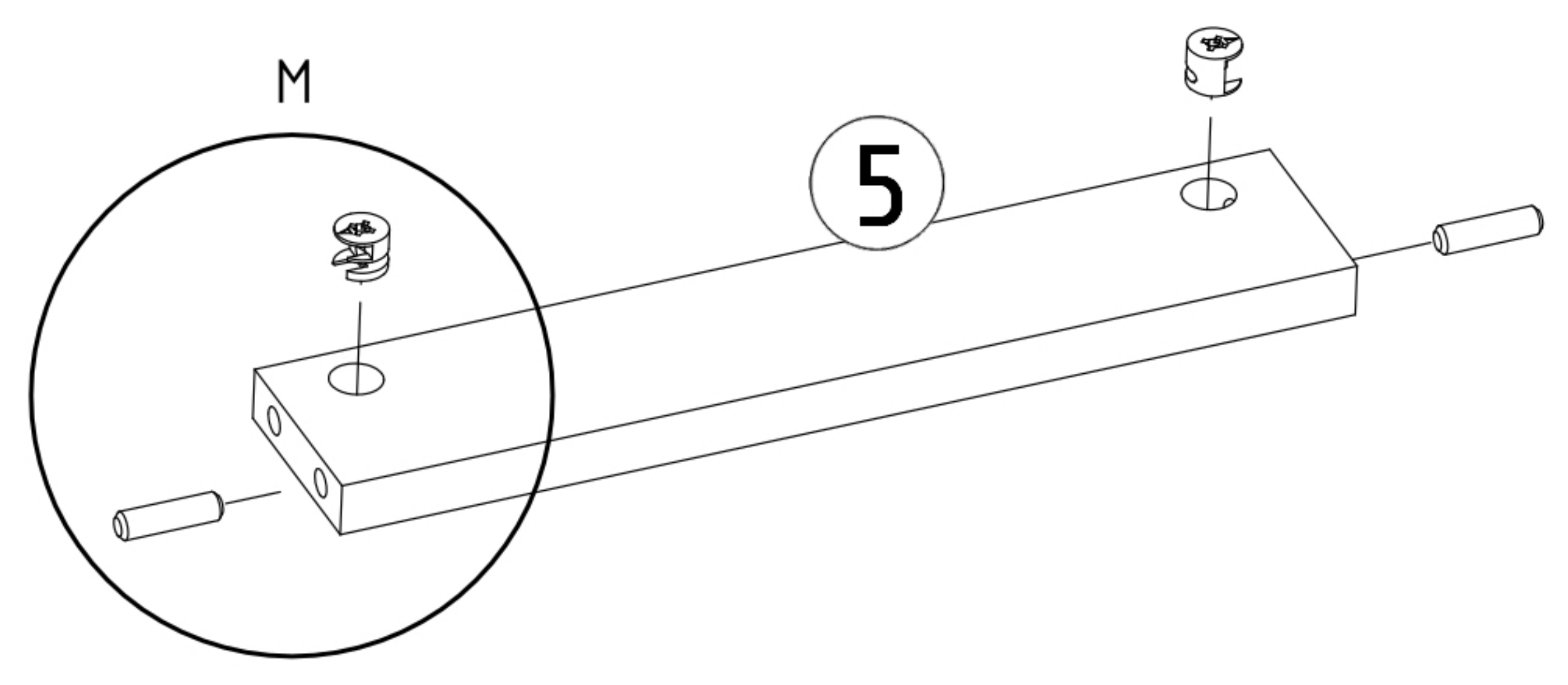
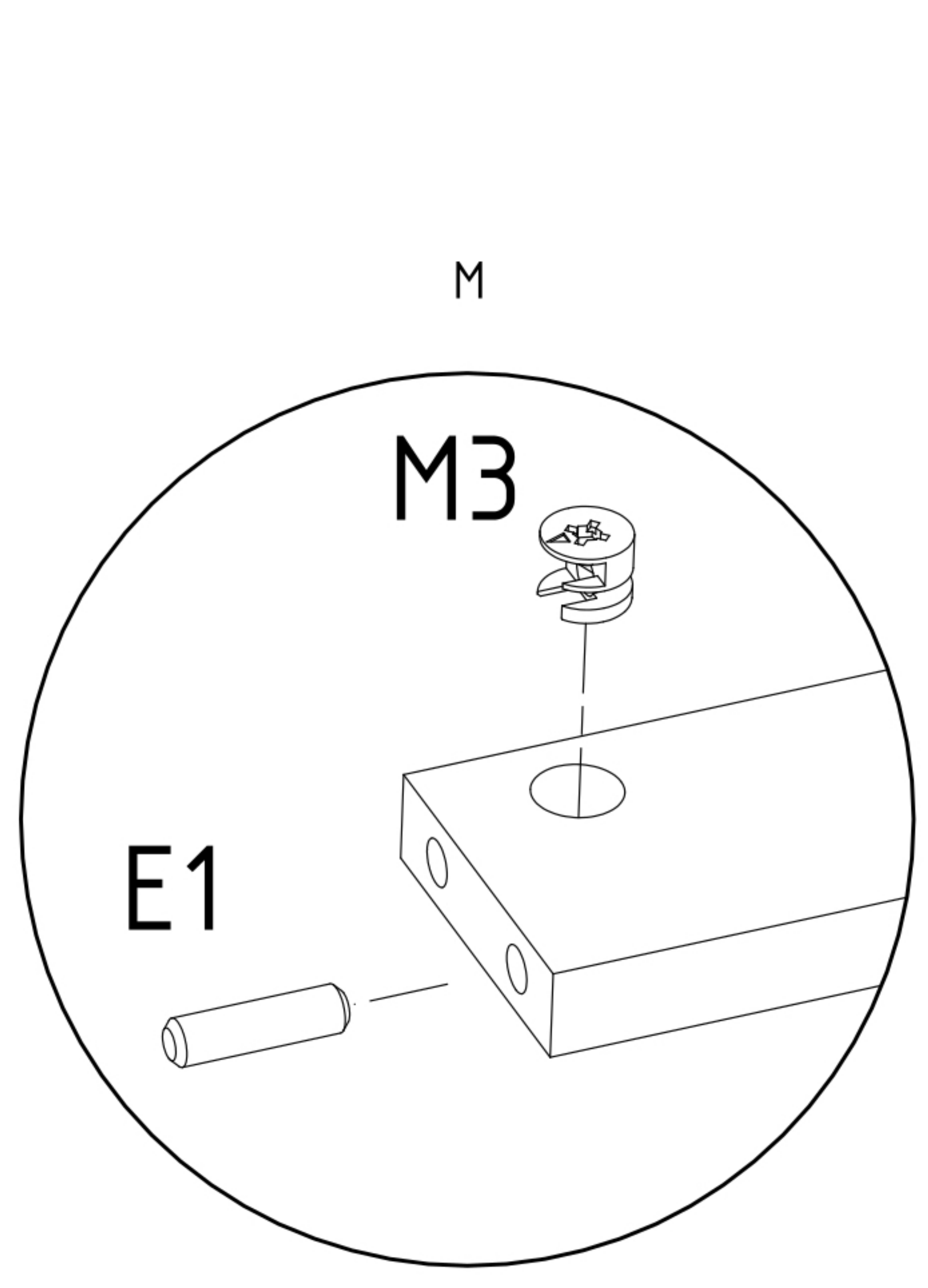
N2  L=20,3 x6	M3  x2	P2  L=400 x3	S15  6x8 x6	E1  8x30 x2	T1  x2
------------------------------------------------------------------------------------------------------------	------------------------------------------------------------------------------------------------------	------------------------------------------------------------------------------------------------------------	-----------------------------------------------------------------------------------------------------------	------------------------------------------------------------------------------------------------------------	--------------------------------------------------------------------------------------------------------



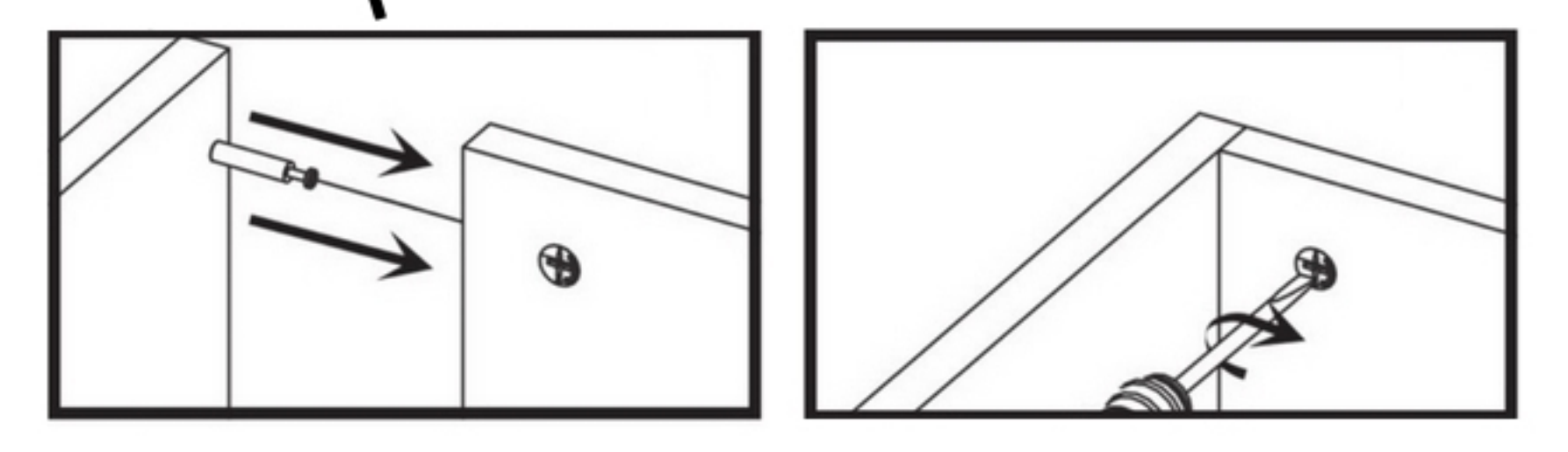
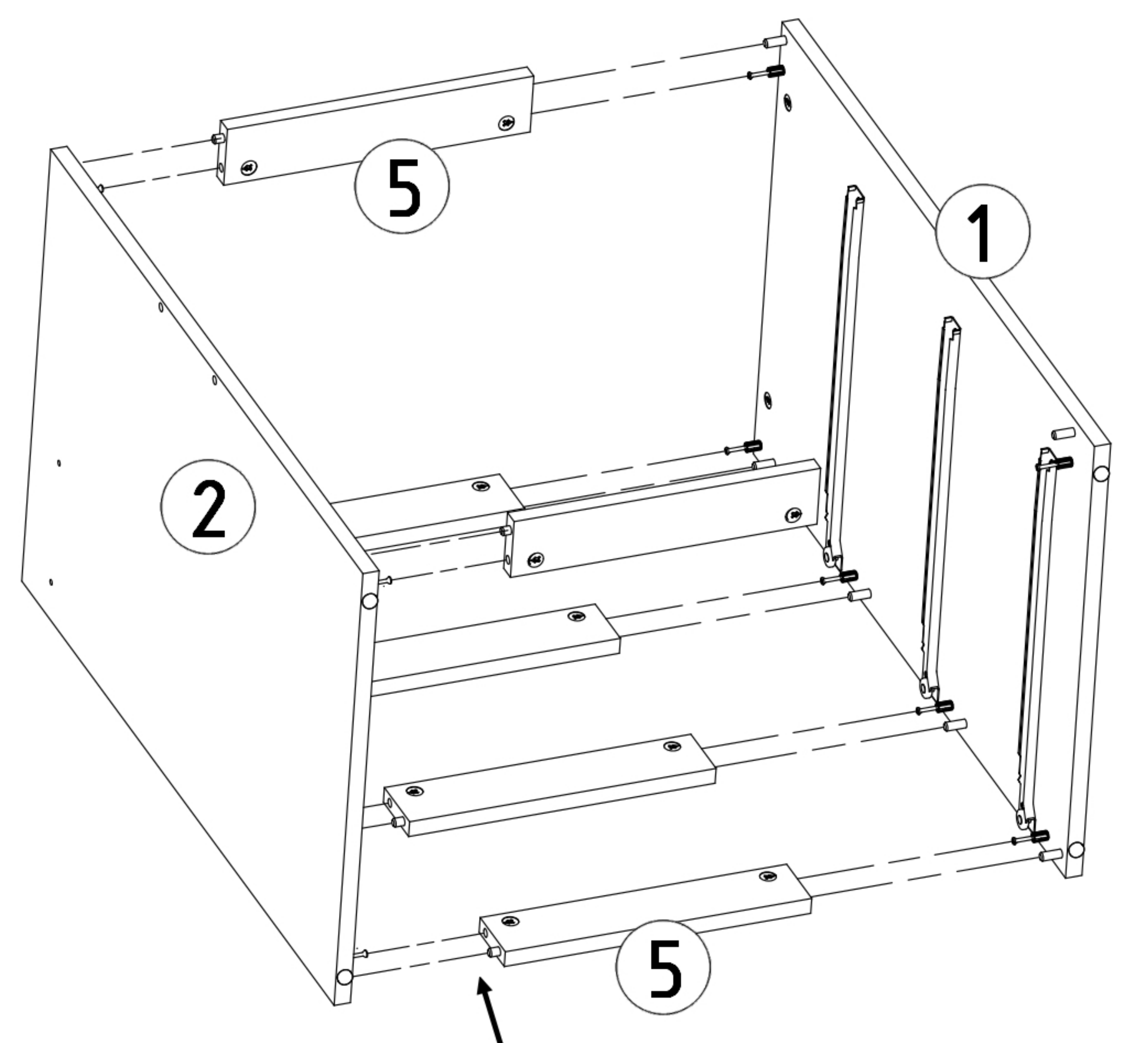
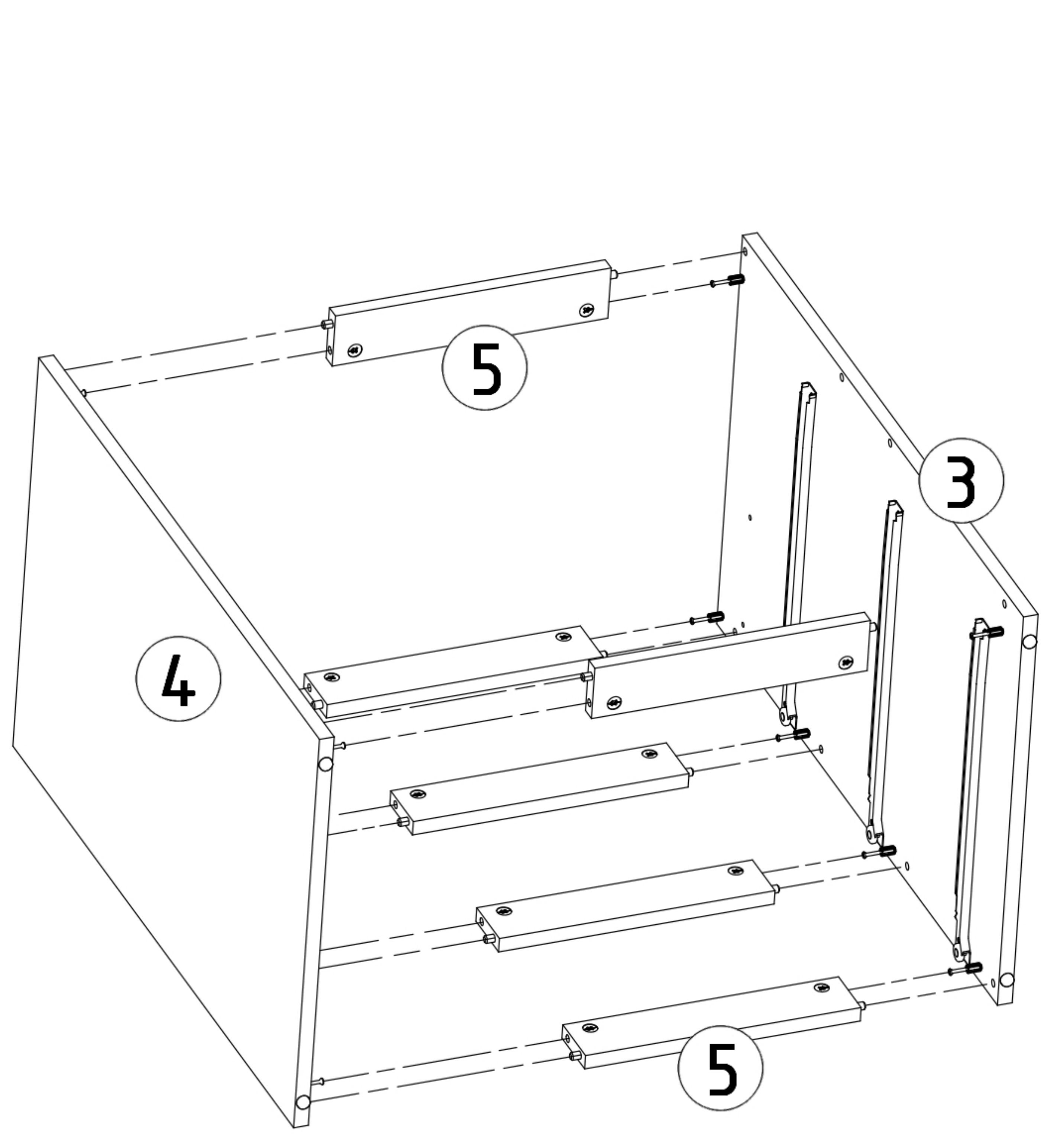
N2  L=20,3 x6	M3  x2	P2  L=400 x3	S15  6x8 x6	E1  8x30 x2	T1  x2
--------------------------------------------------------------------------------------------------------------	--------------------------------------------------------------------------------------------------------	--------------------------------------------------------------------------------------------------------------	-------------------------------------------------------------------------------------------------------------	--------------------------------------------------------------------------------------------------------------	----------------------------------------------------------------------------------------------------------

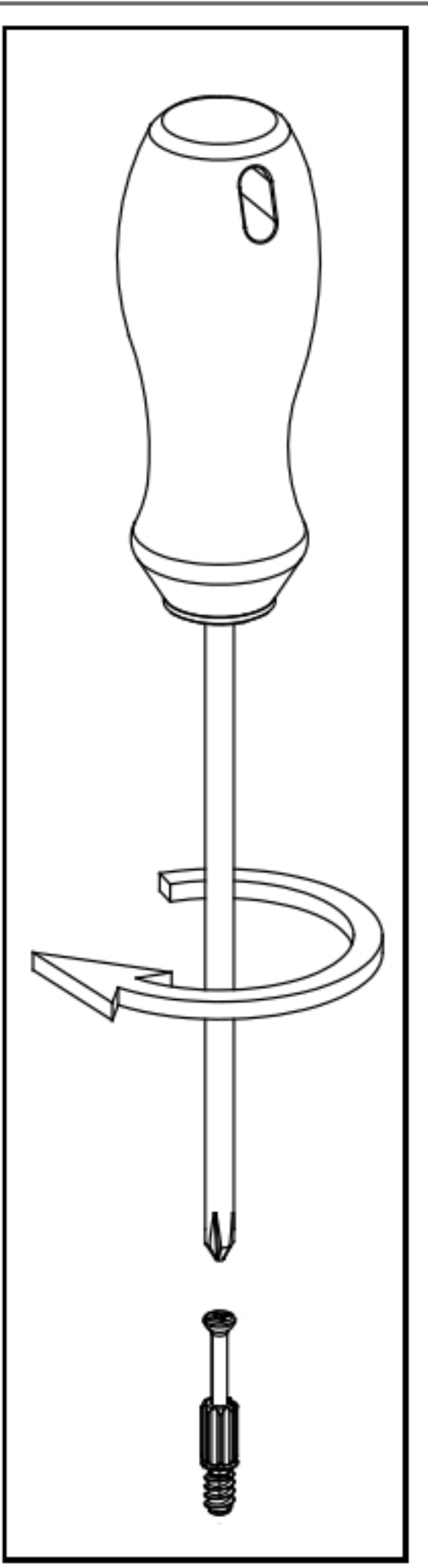
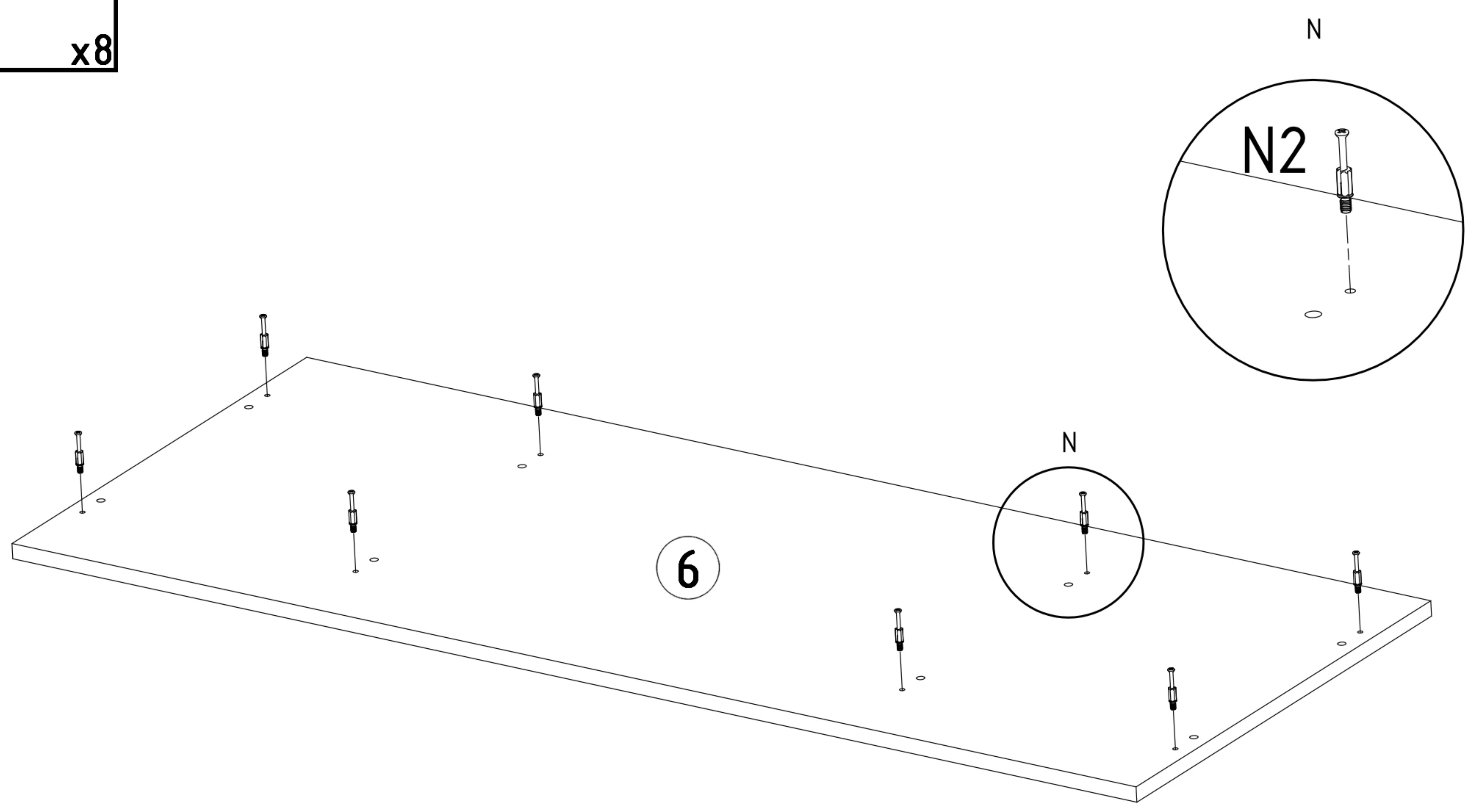
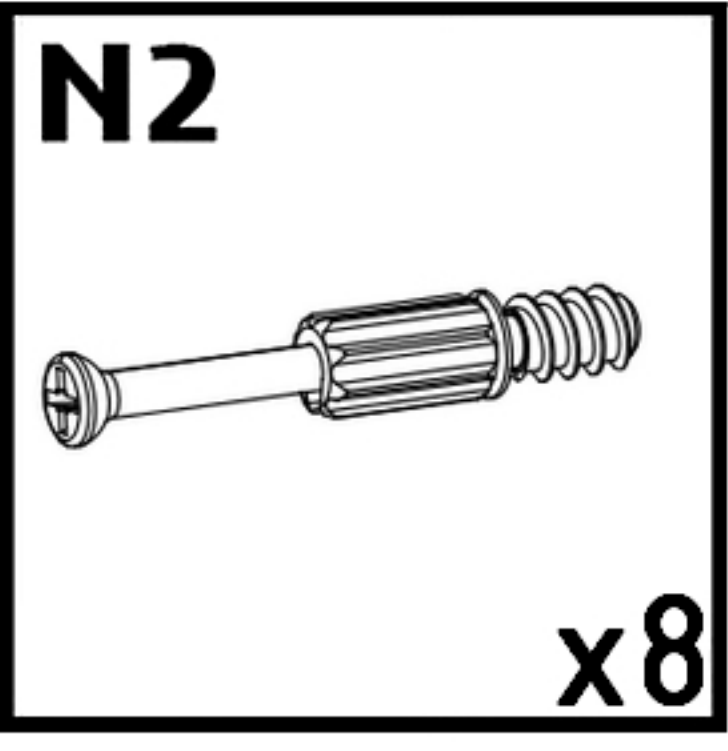
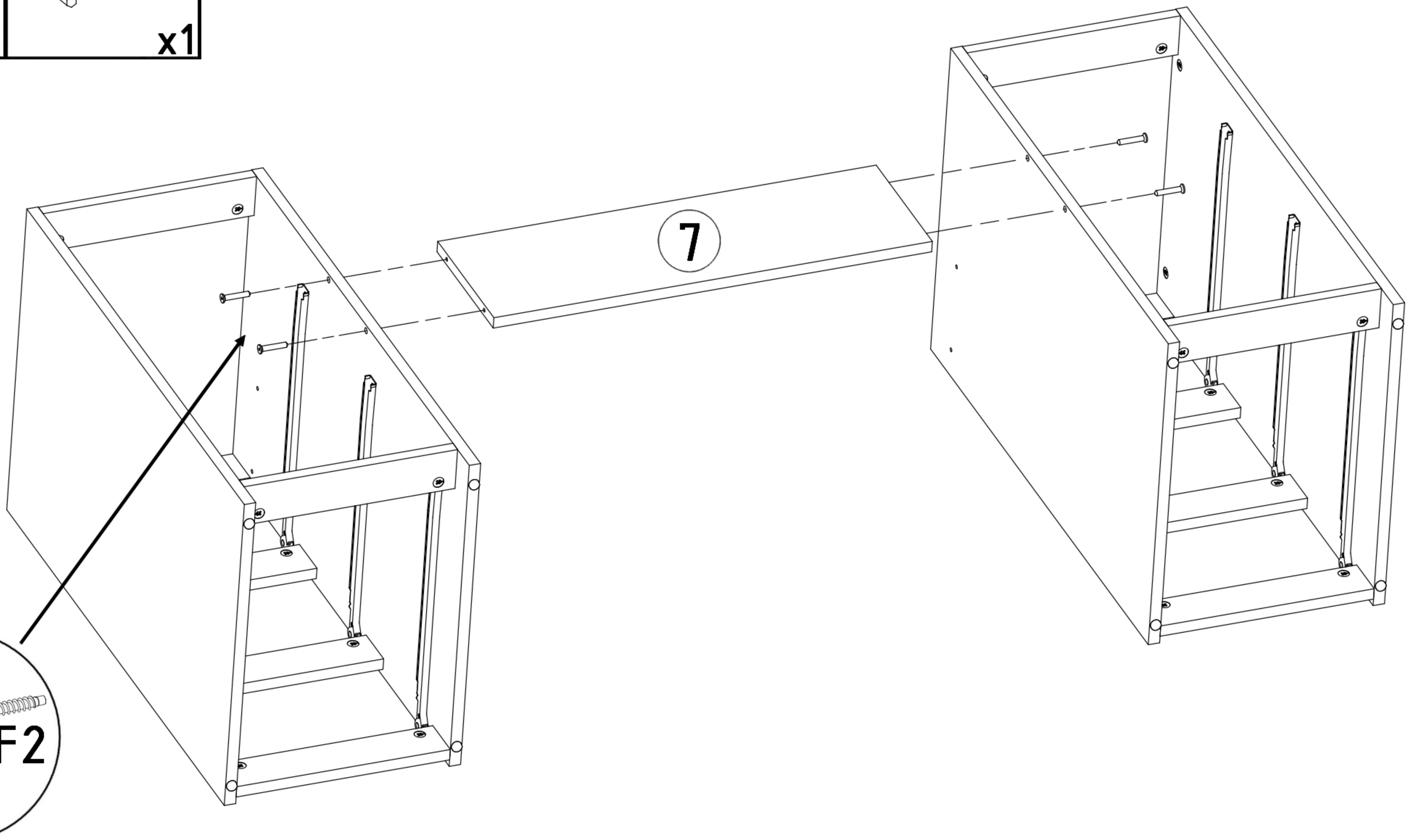
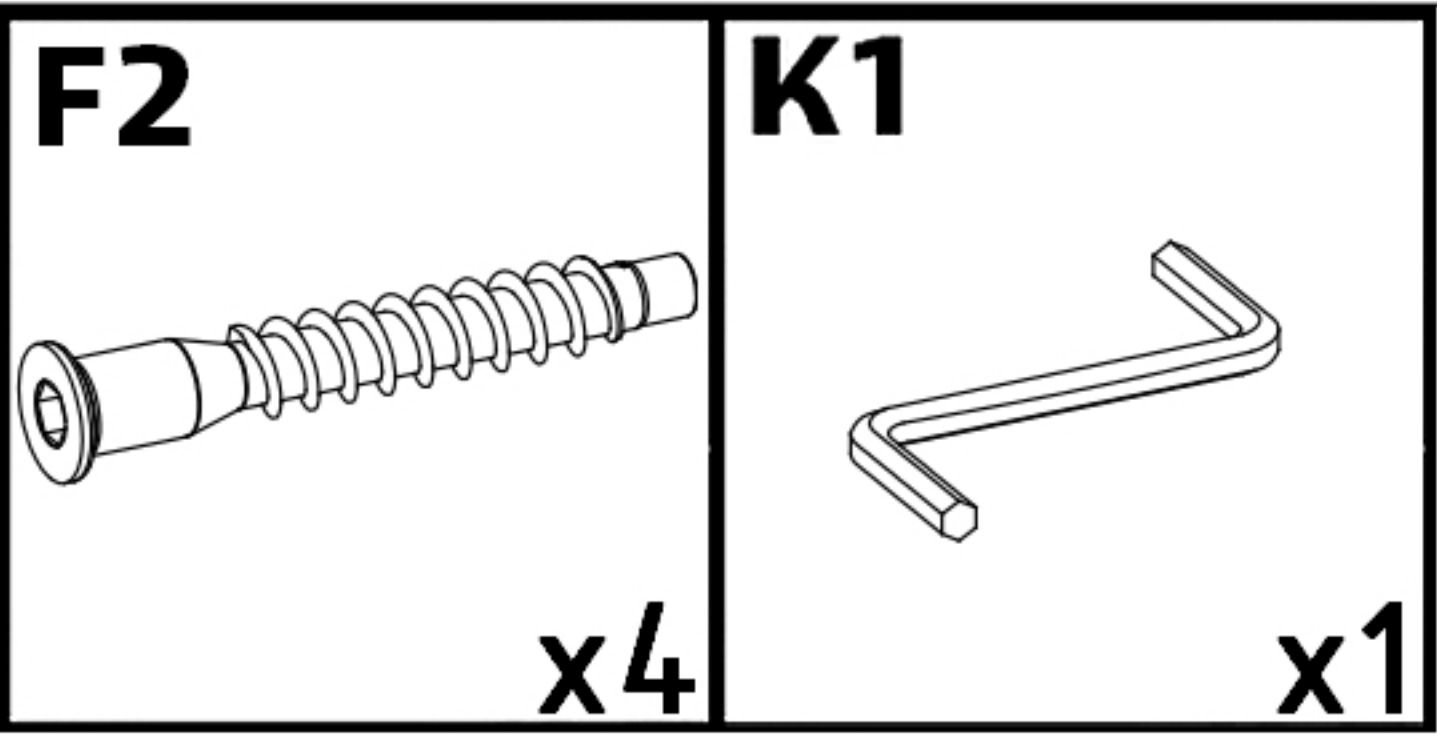


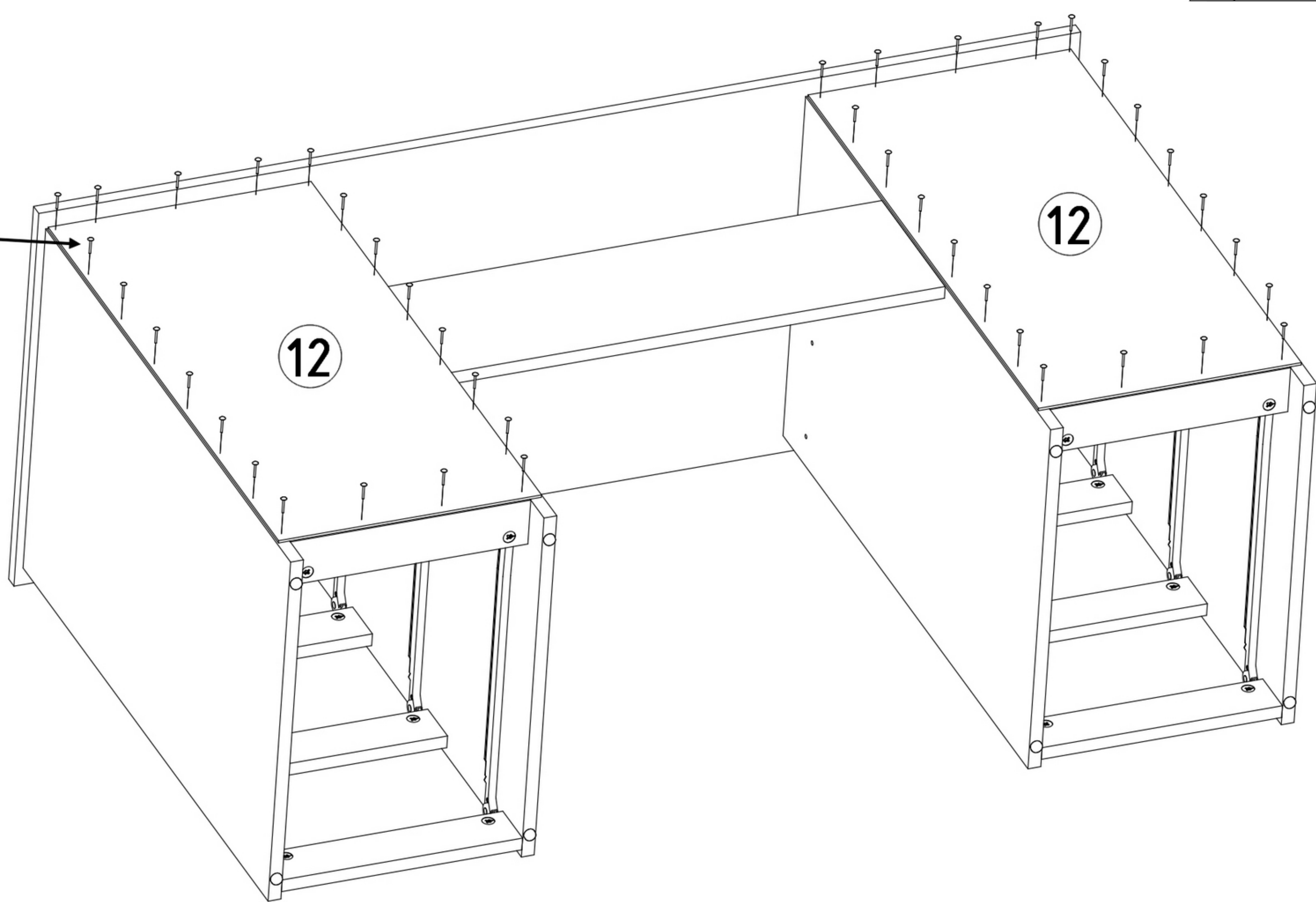
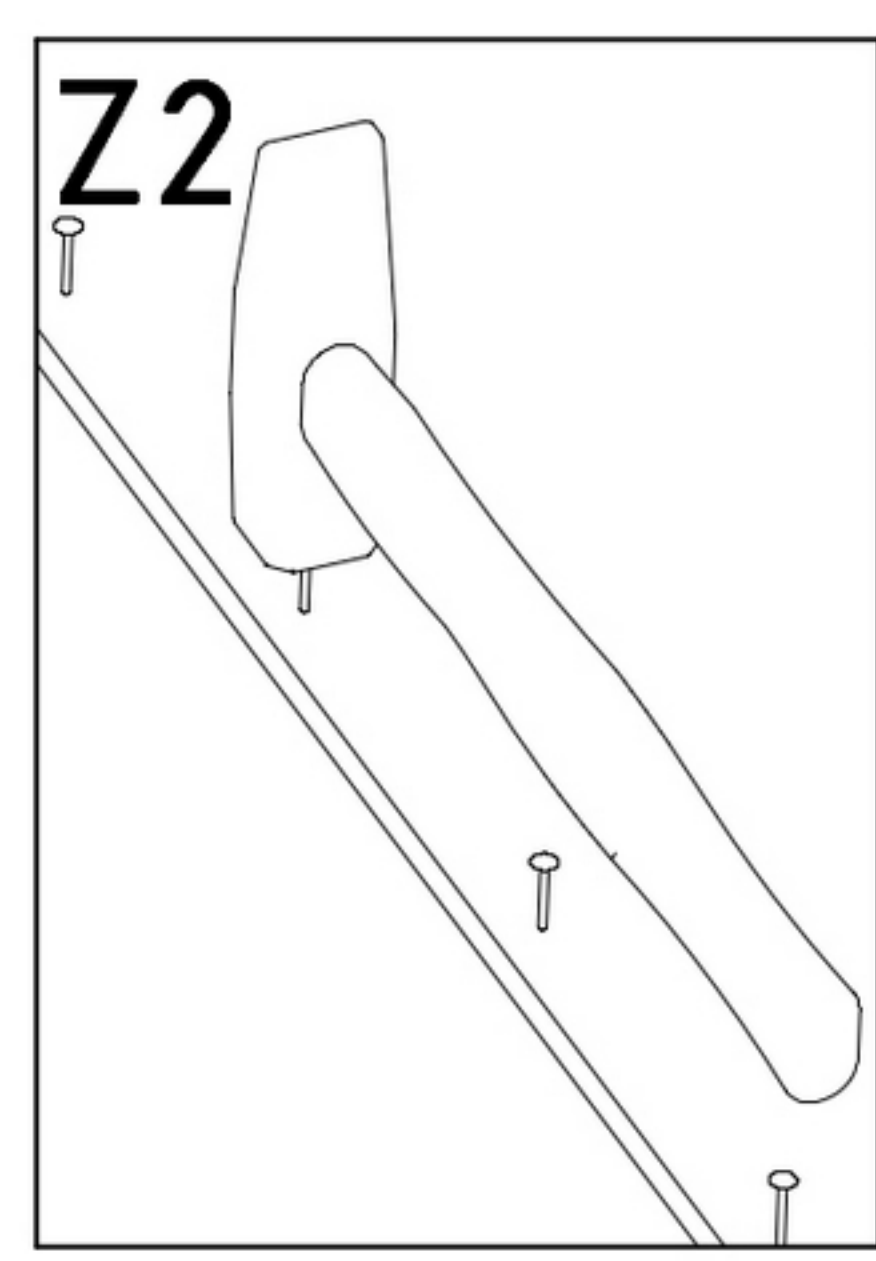
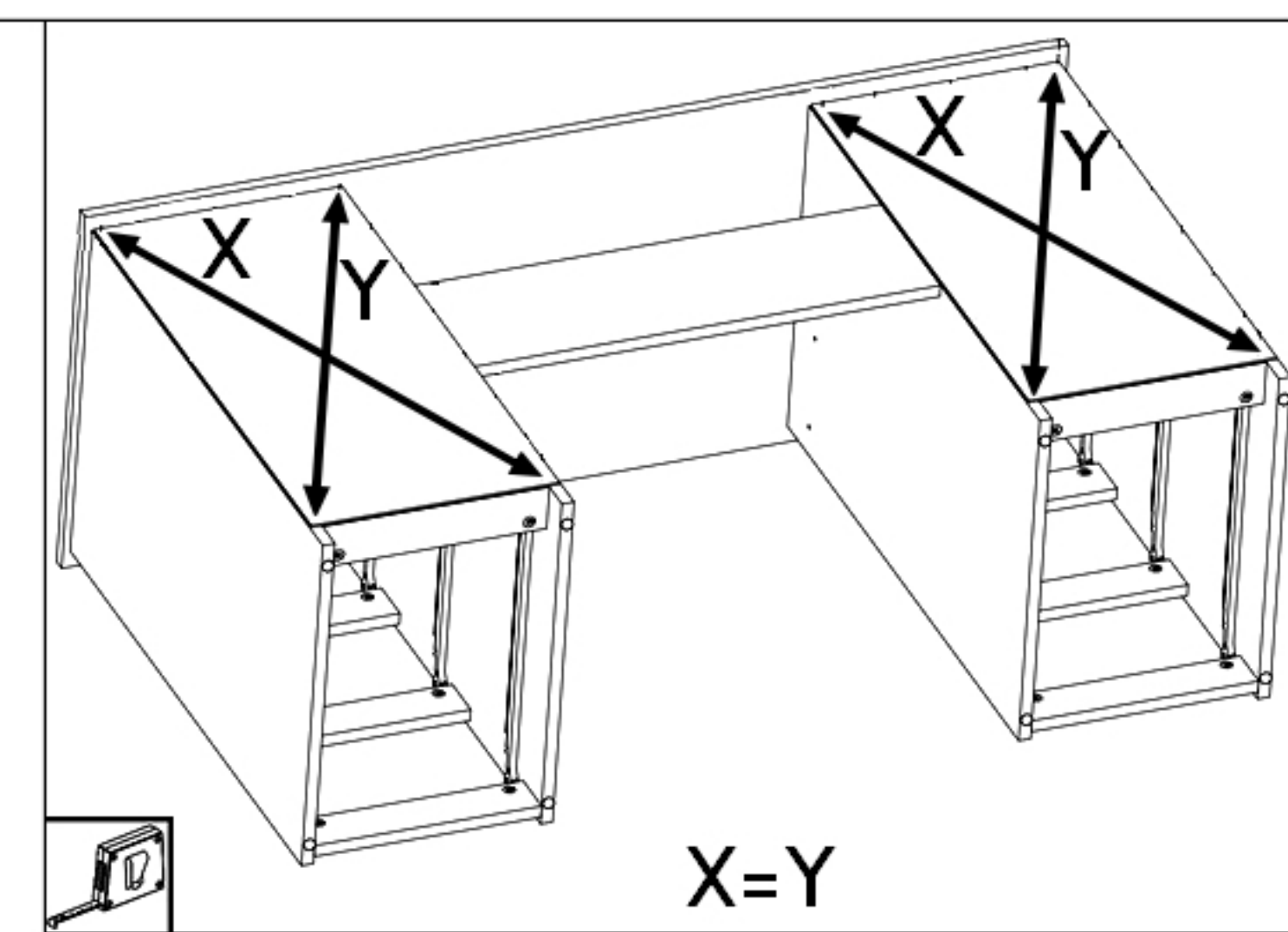
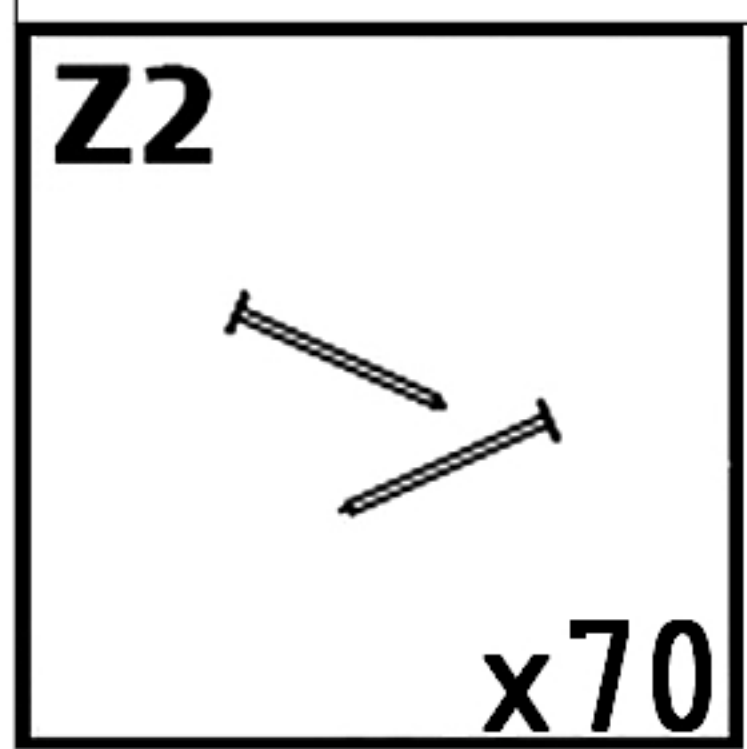
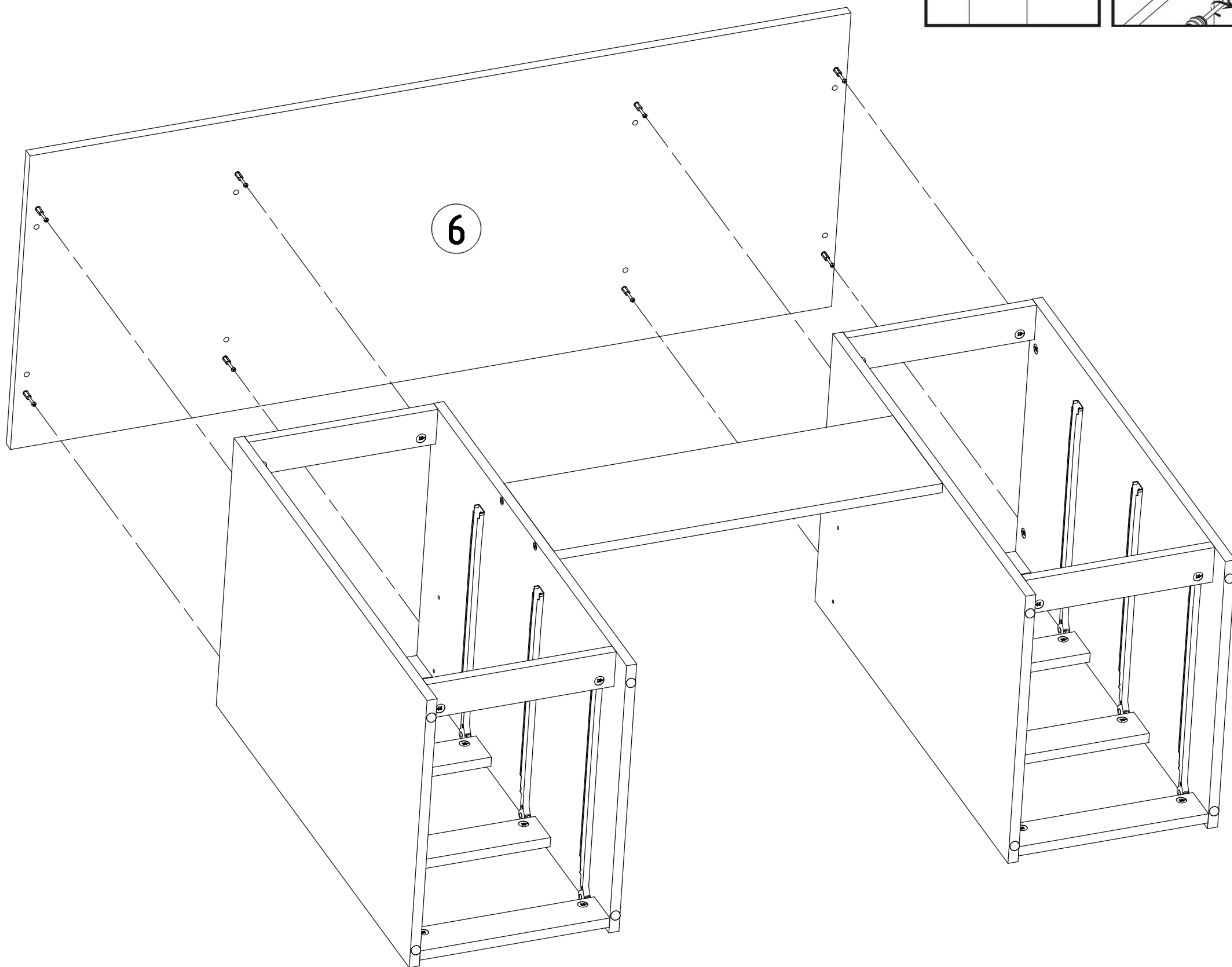
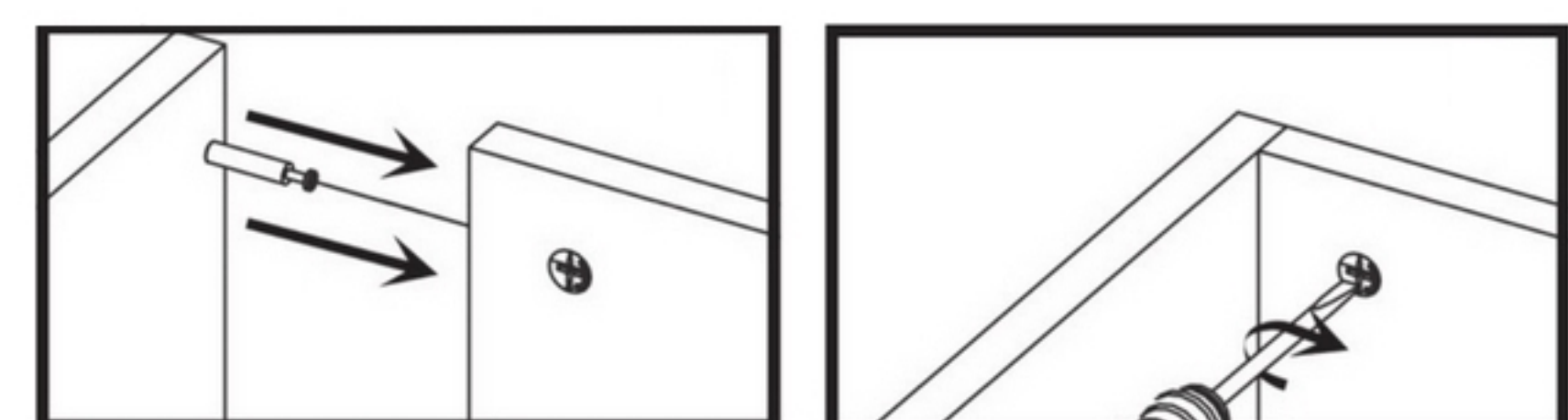
M3  x24	E1  8x30 x24
------------------------------------------------------------------------------------------------------	------------------------------------------------------------------------------------------------------------

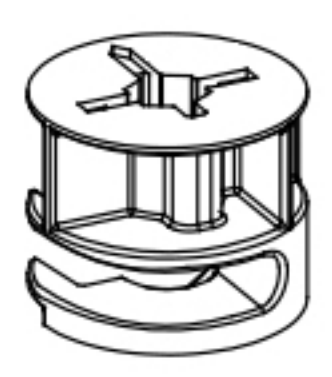
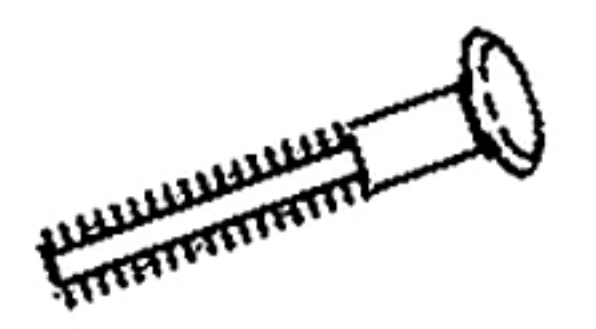
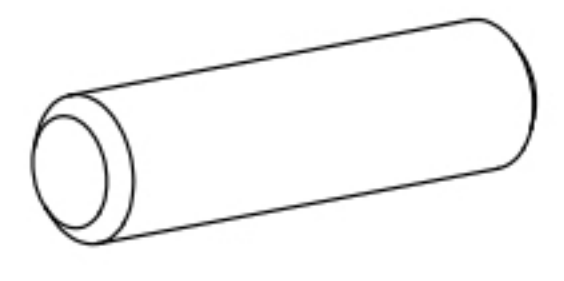


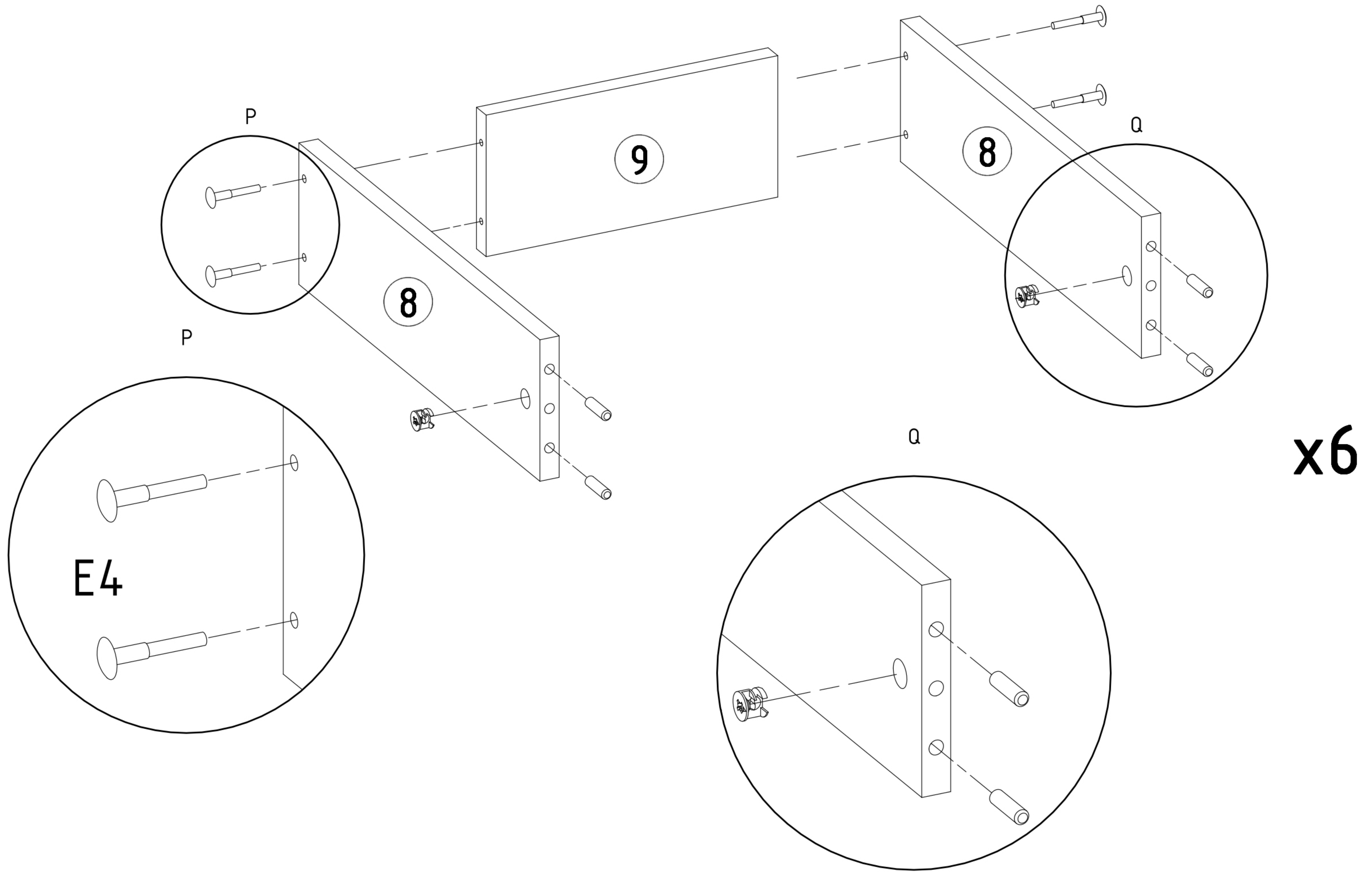
x12

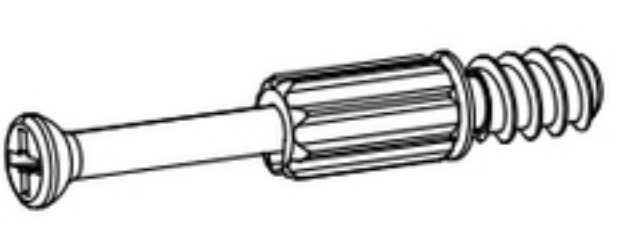


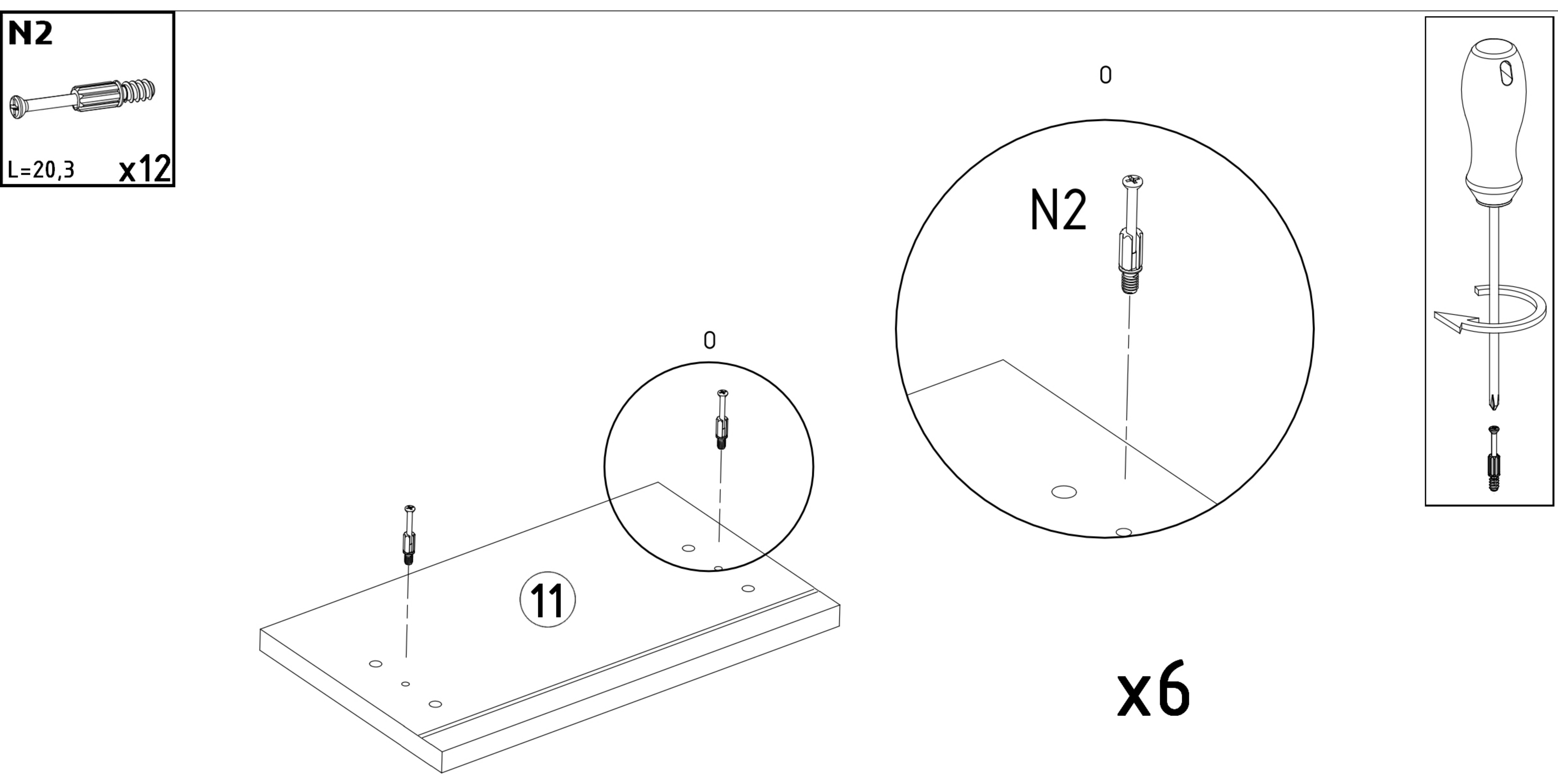




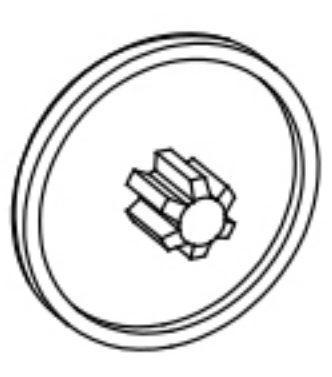
<p>M3</p>  <p>x12</p>	<p>E4</p>  <p>x24</p>	<p>E1</p>  <p>8x30 x24</p>
--------------------------------------------------------------------------------------------------------------	---------------------------------------------------------------------------------------------------------------	--------------------------------------------------------------------------------------------------------------------



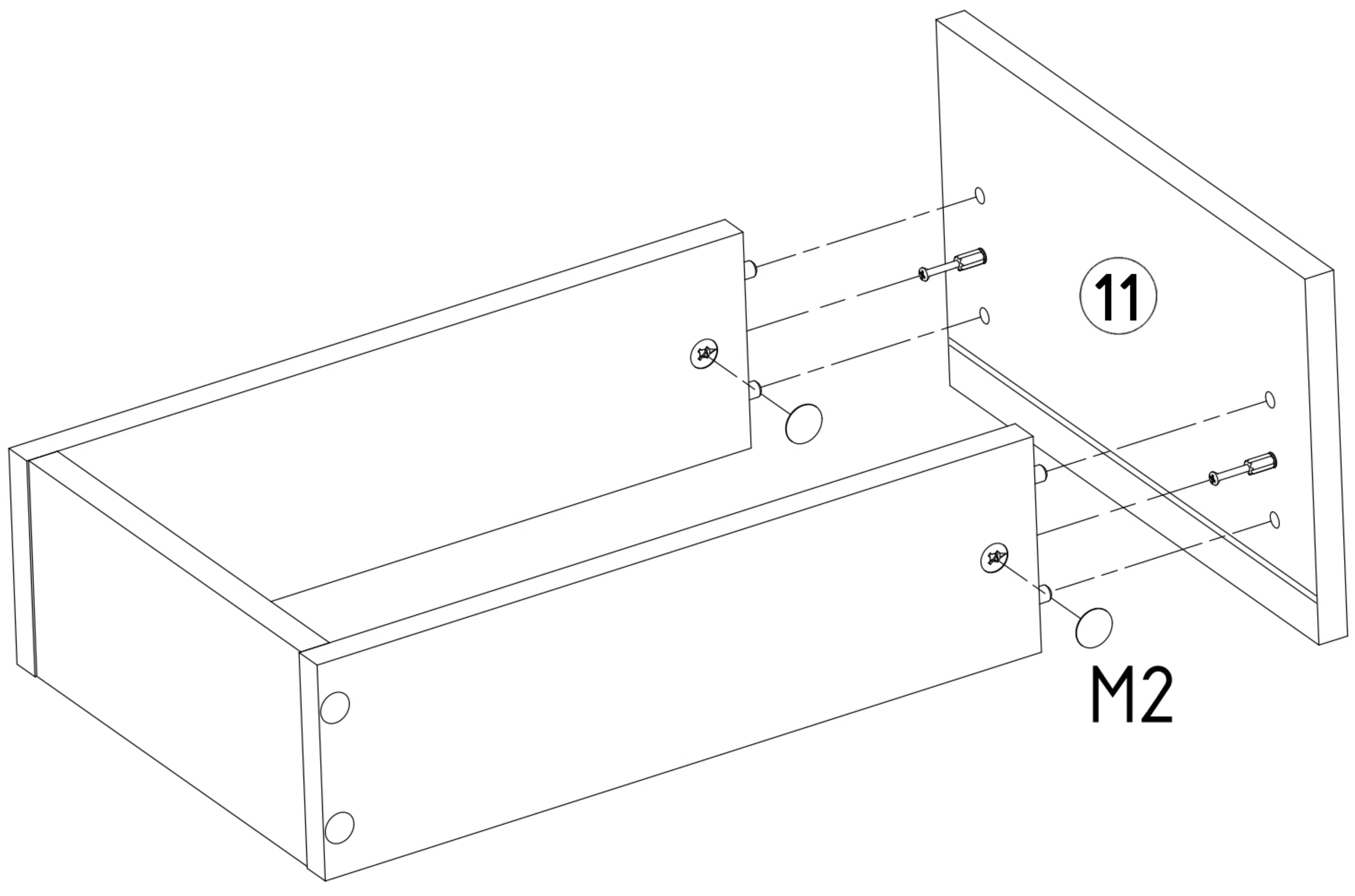
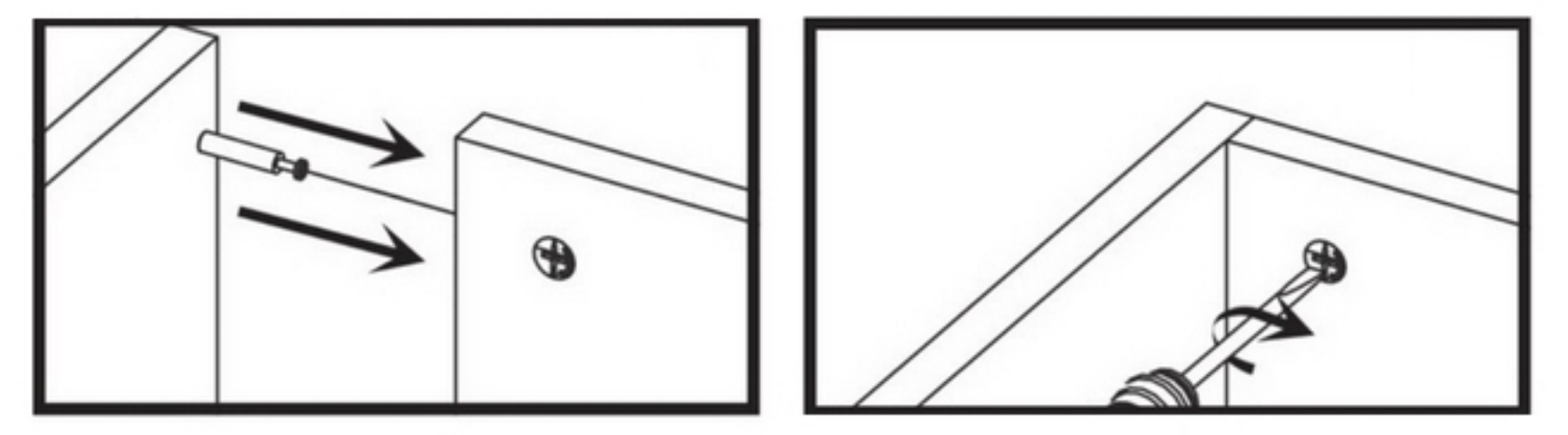
<p>N2</p>  <p>L=20,3 x12</p>

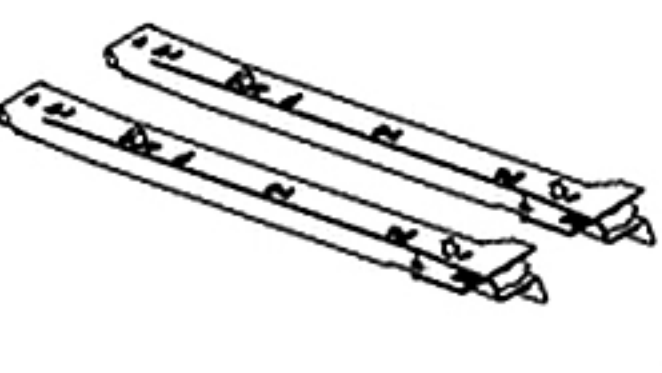




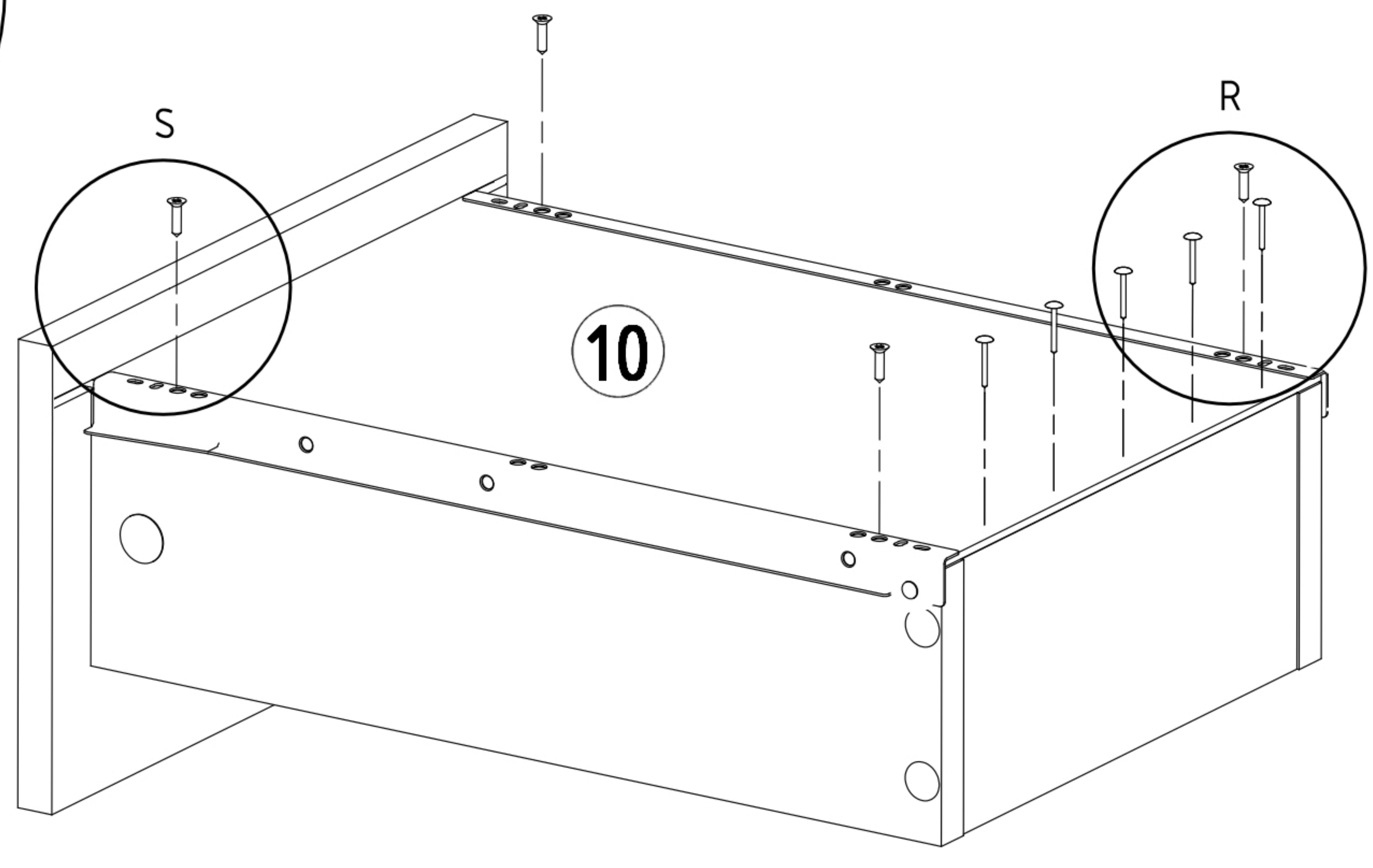
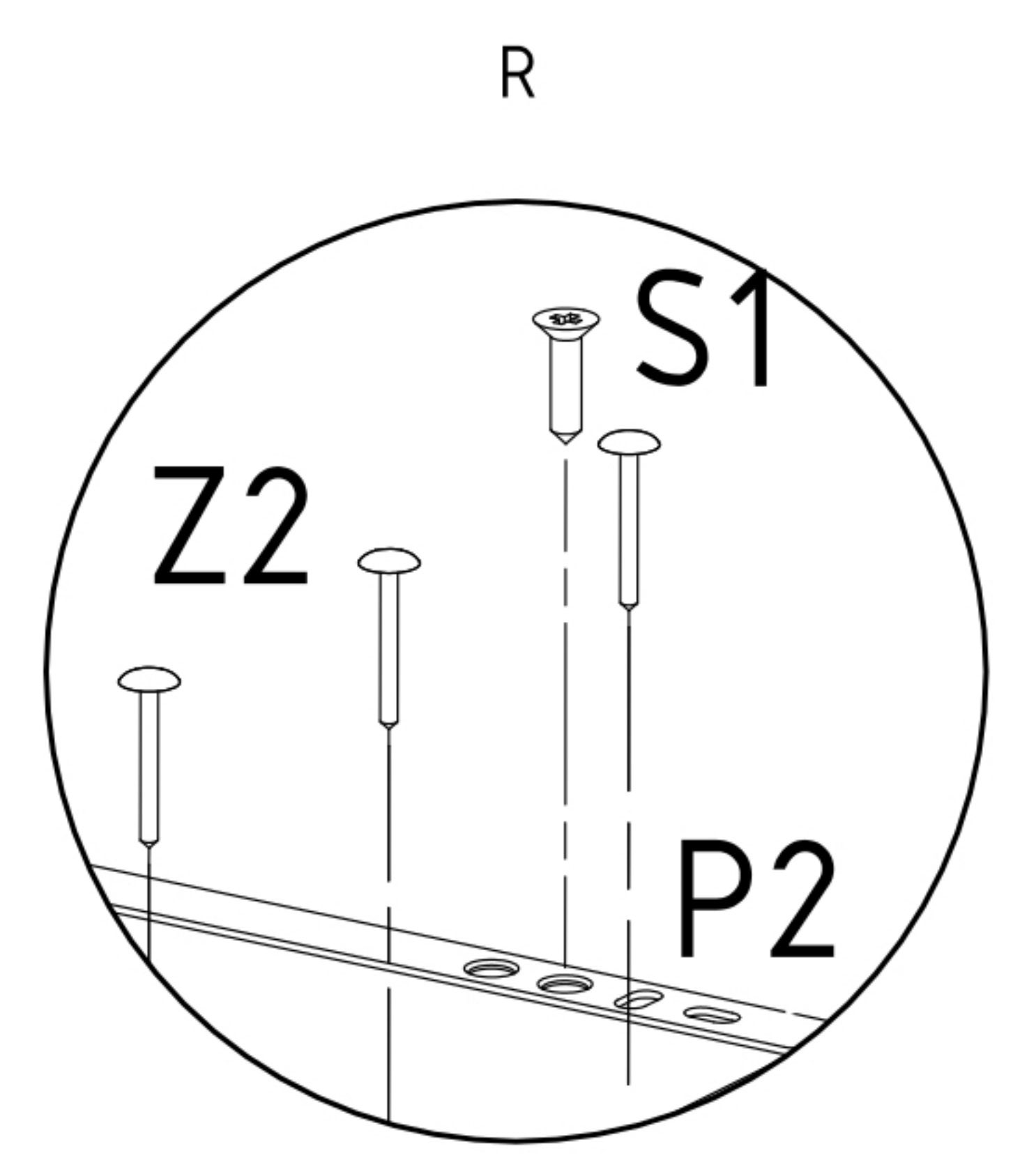
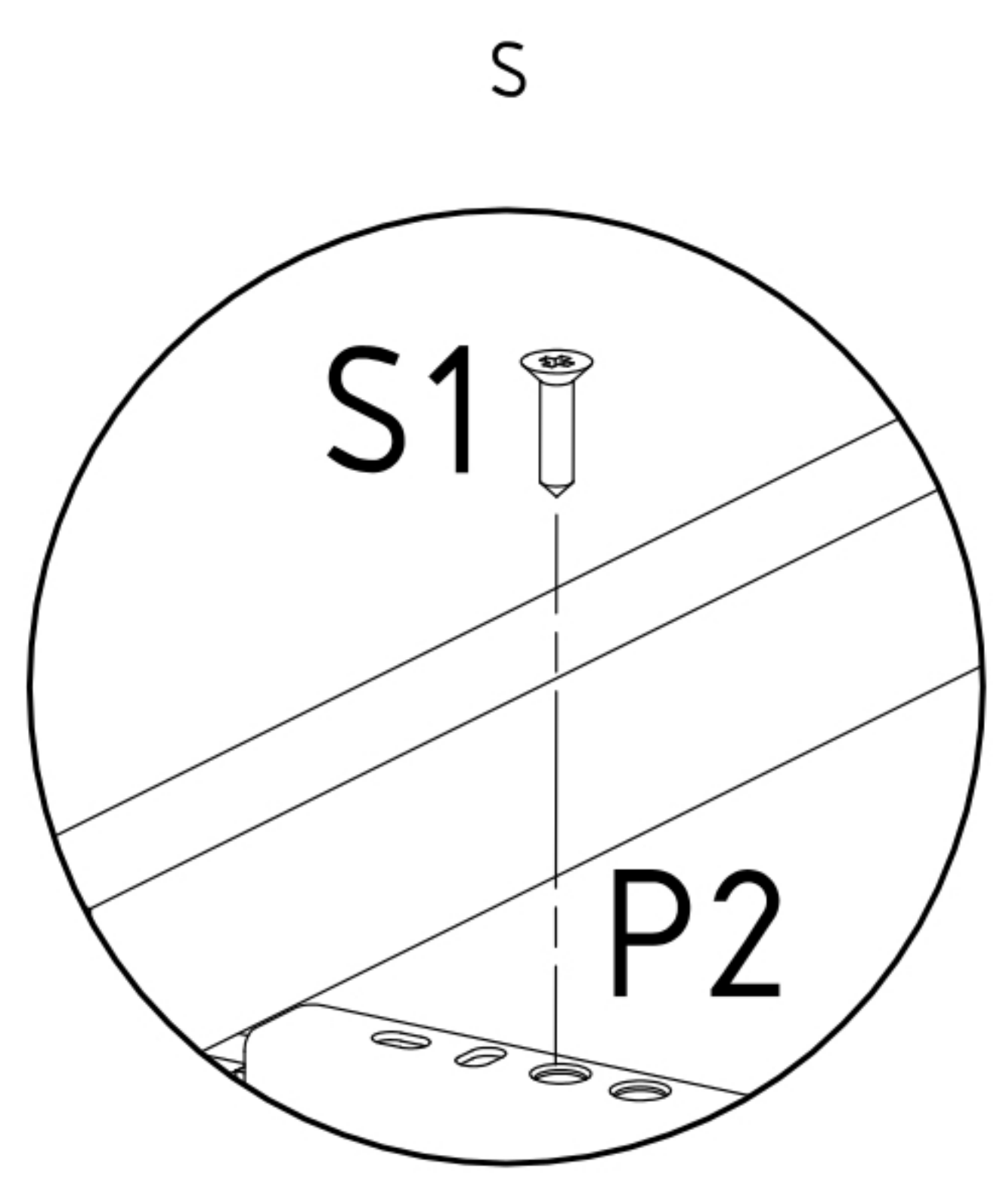
M2


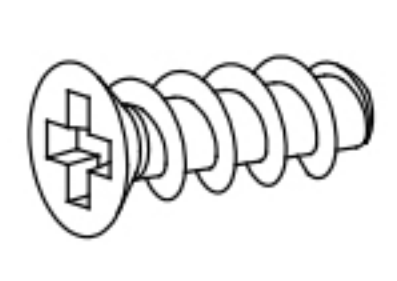


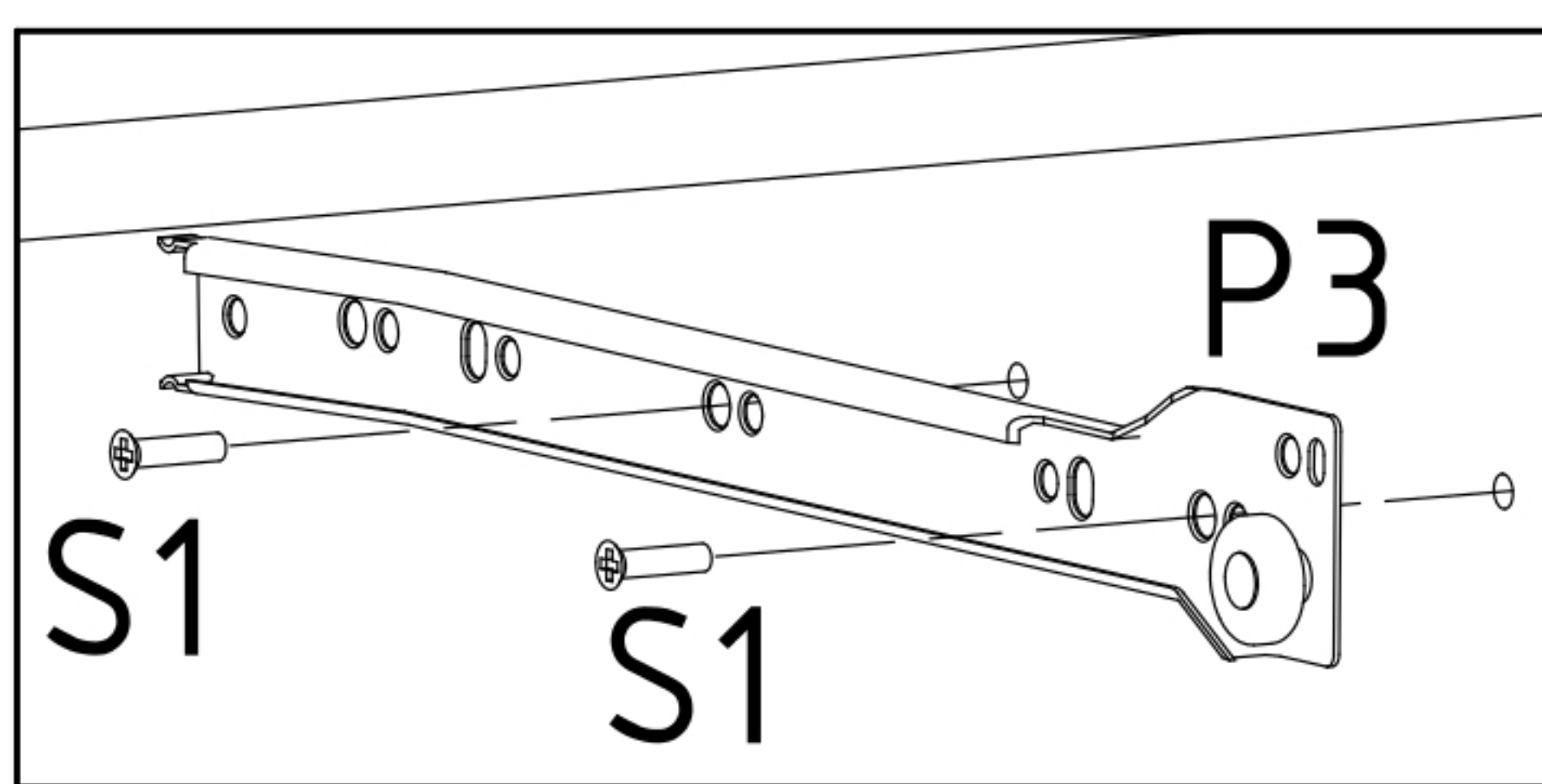
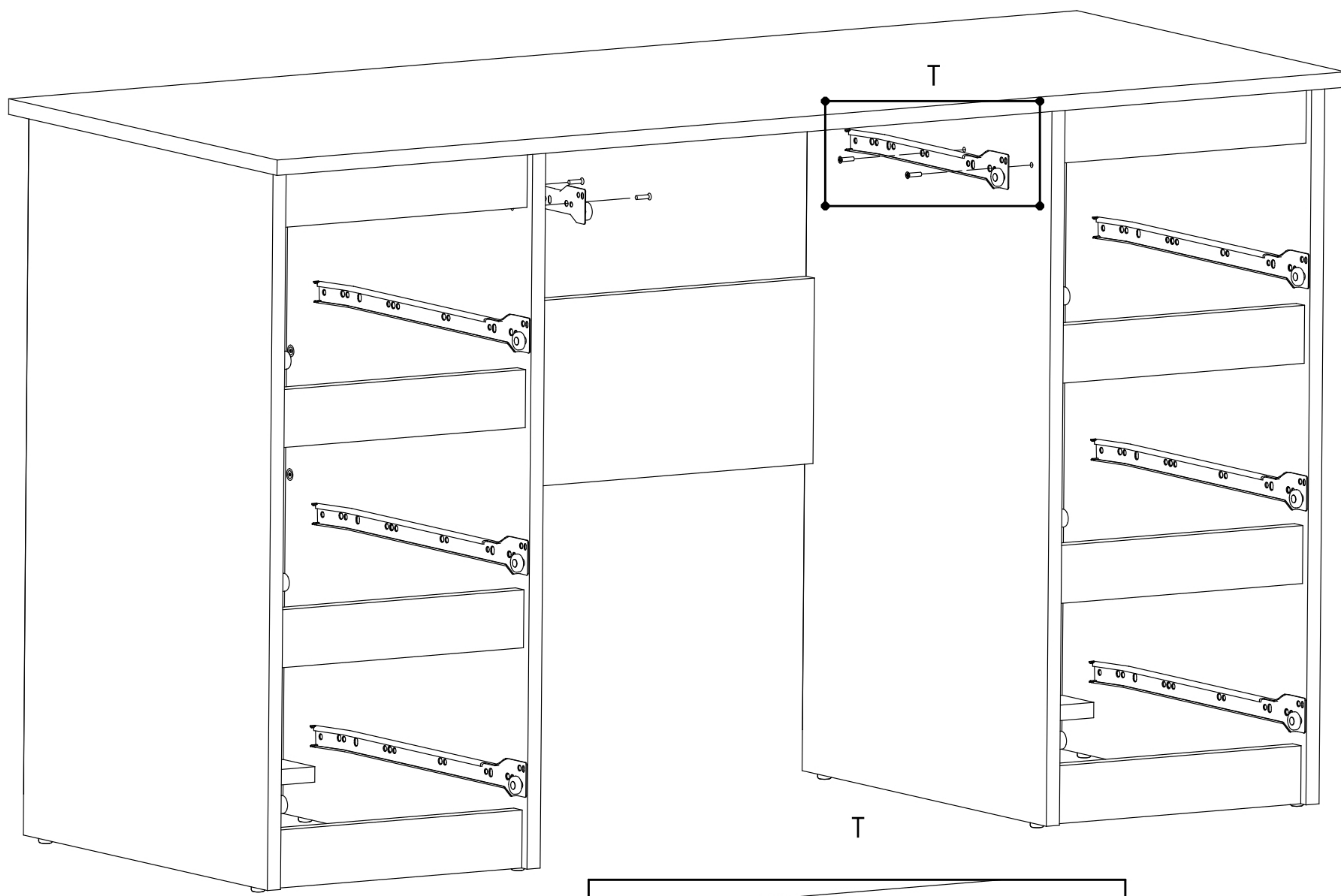
x12


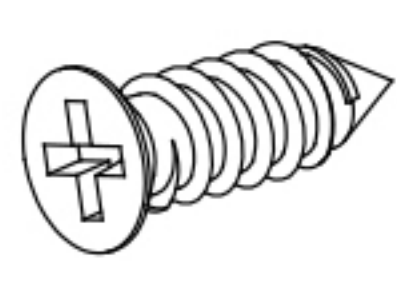


<p>P2</p>  <p>L=400 x6</p>	<p>S1</p>  <p>3,5x16 x24</p>	<p>Z2</p>  <p>x30</p>
----------------------------------------------------------------------------------------------------------------------------	-------------------------------------------------------------------------------------------------------------------------------	------------------------------------------------------------------------------------------------------------------------



P3 	S15 
L=300 x1	6x8 x4



P3 	S1 
L=300 x1	3,5x16 x4

