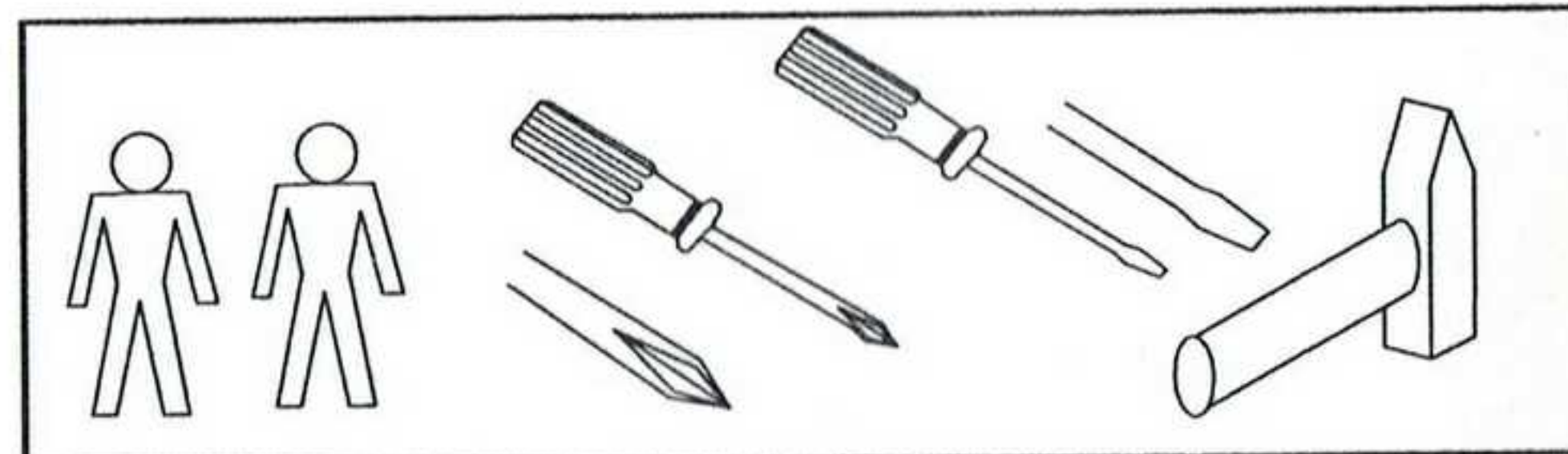
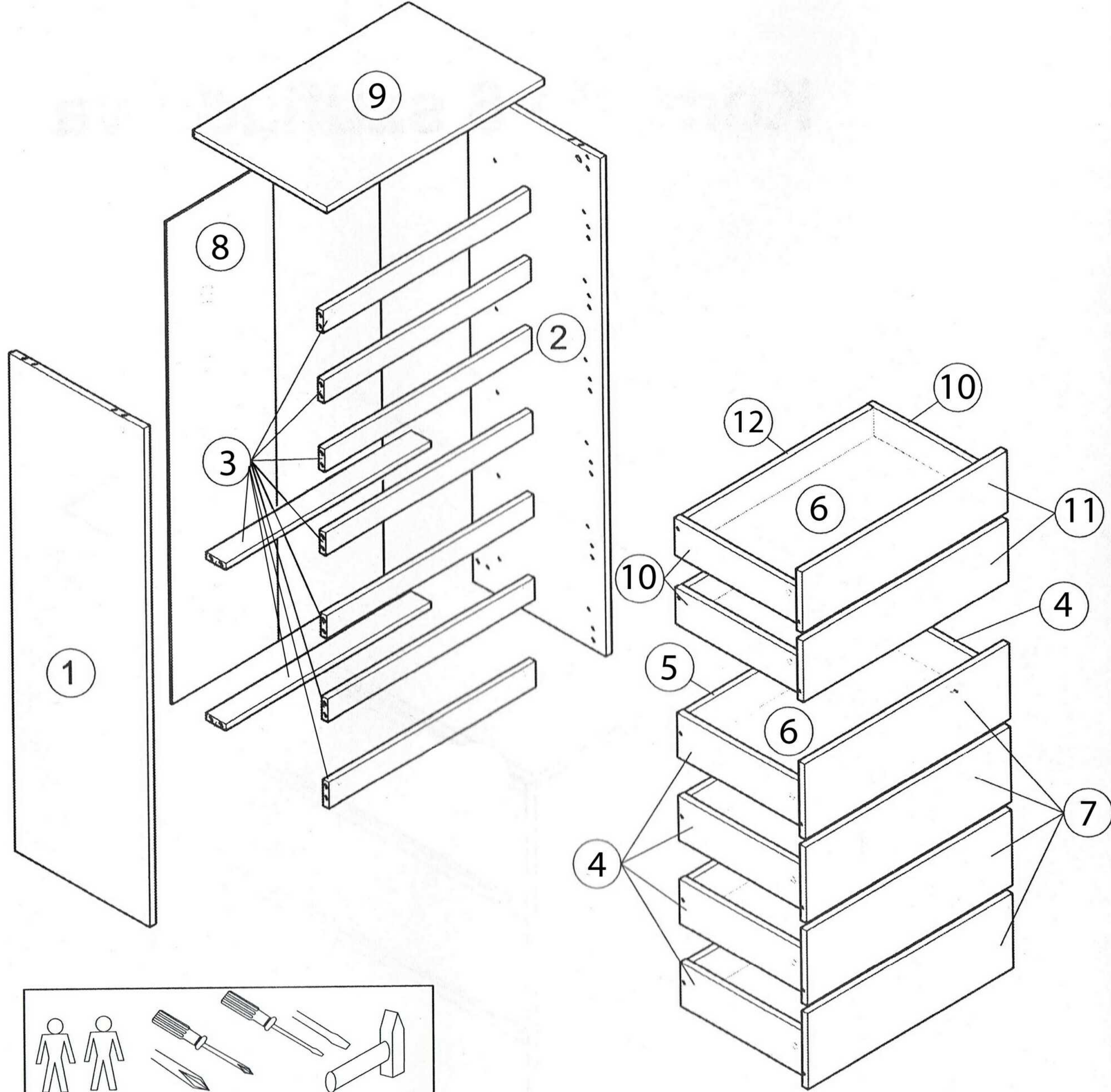
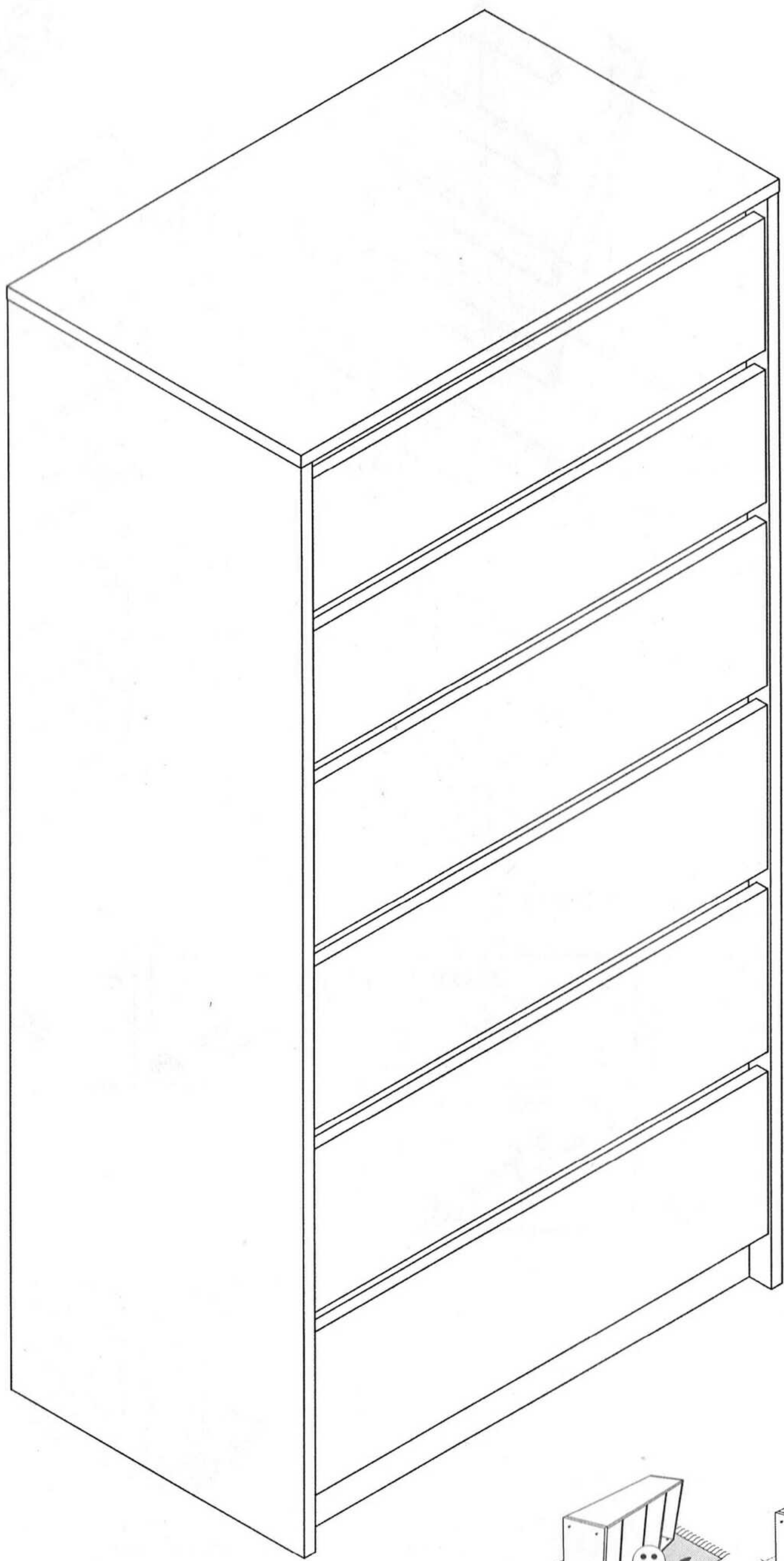
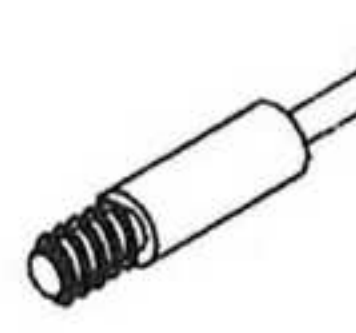
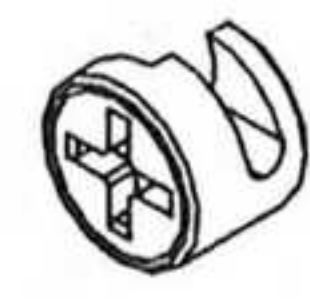
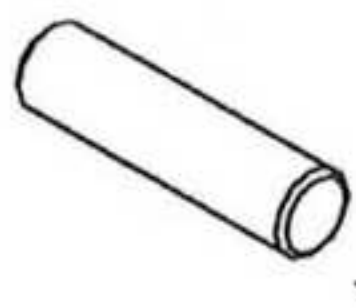
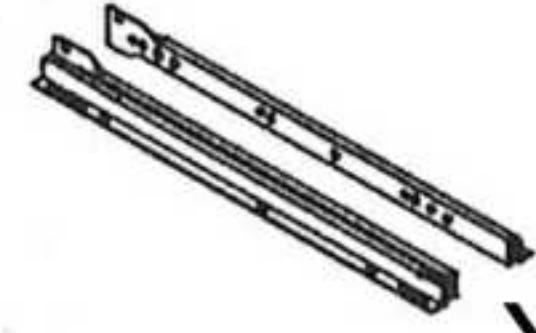




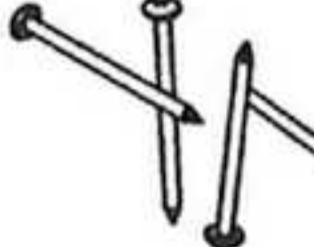
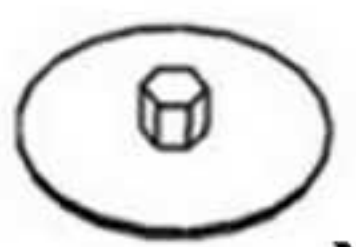
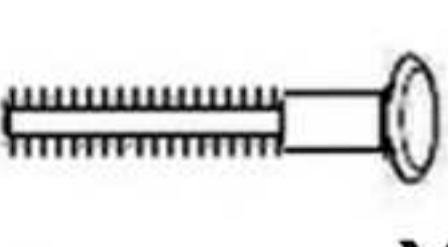
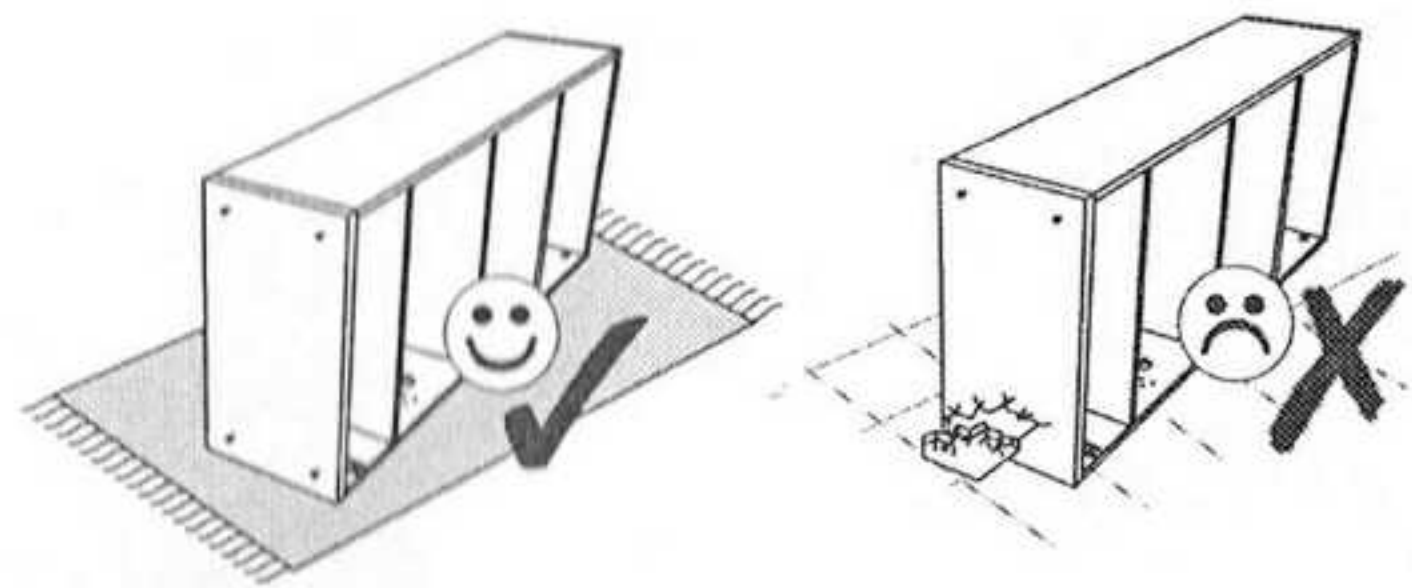



K6




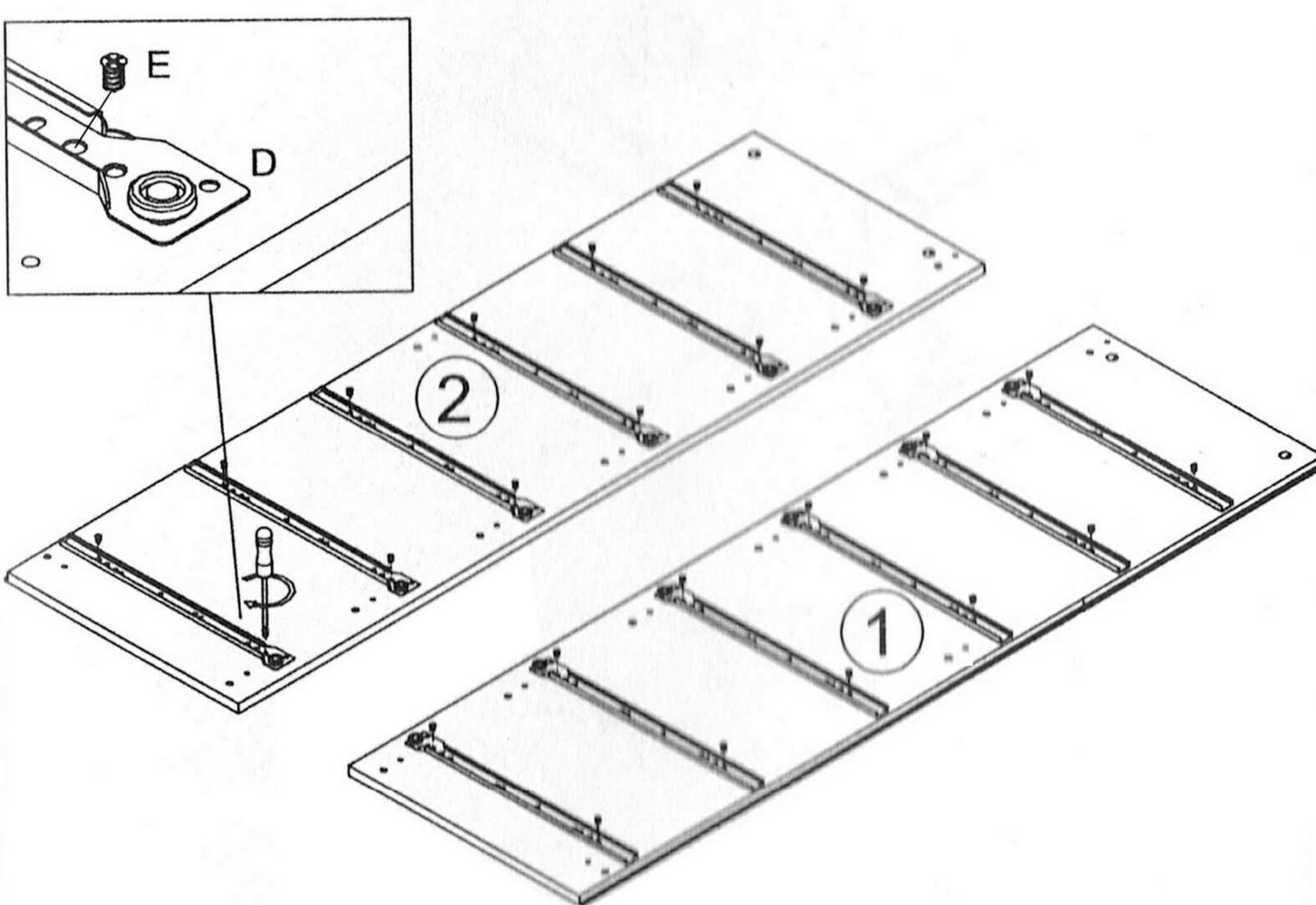
- | | | | | | | | | | | | |
|---|--|---|---|---|---|---|---|---|---|---|--|
| A |  x34 | B |  x34 | C |  x42 | D |  x6 | E |  x24 | F |  x1 |
| G |  x24 | H |  x4 | I |  x80 | J |  x12 | K |  x20 | | |



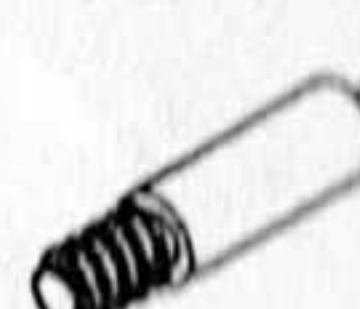
1


D  x6

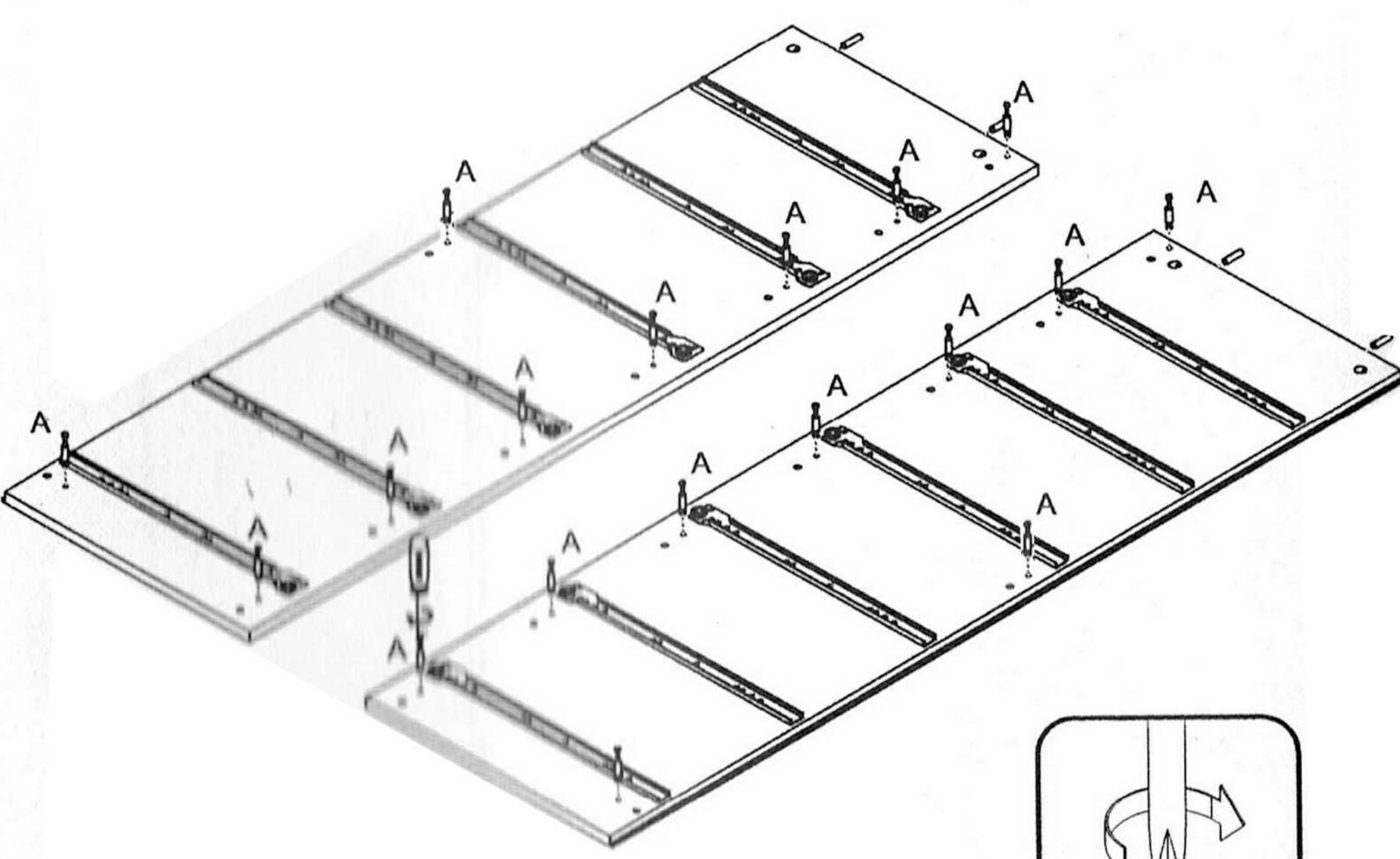
E  x24

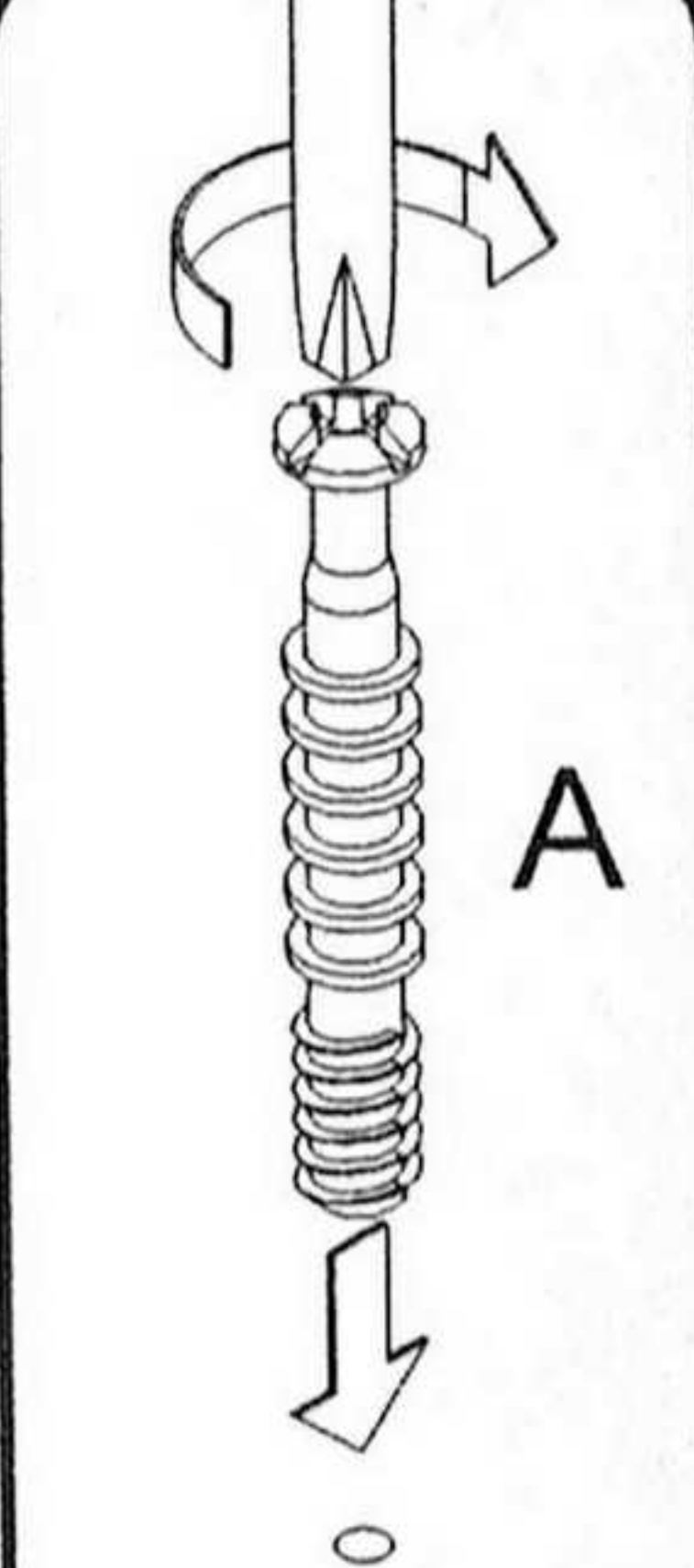


2

A  x18

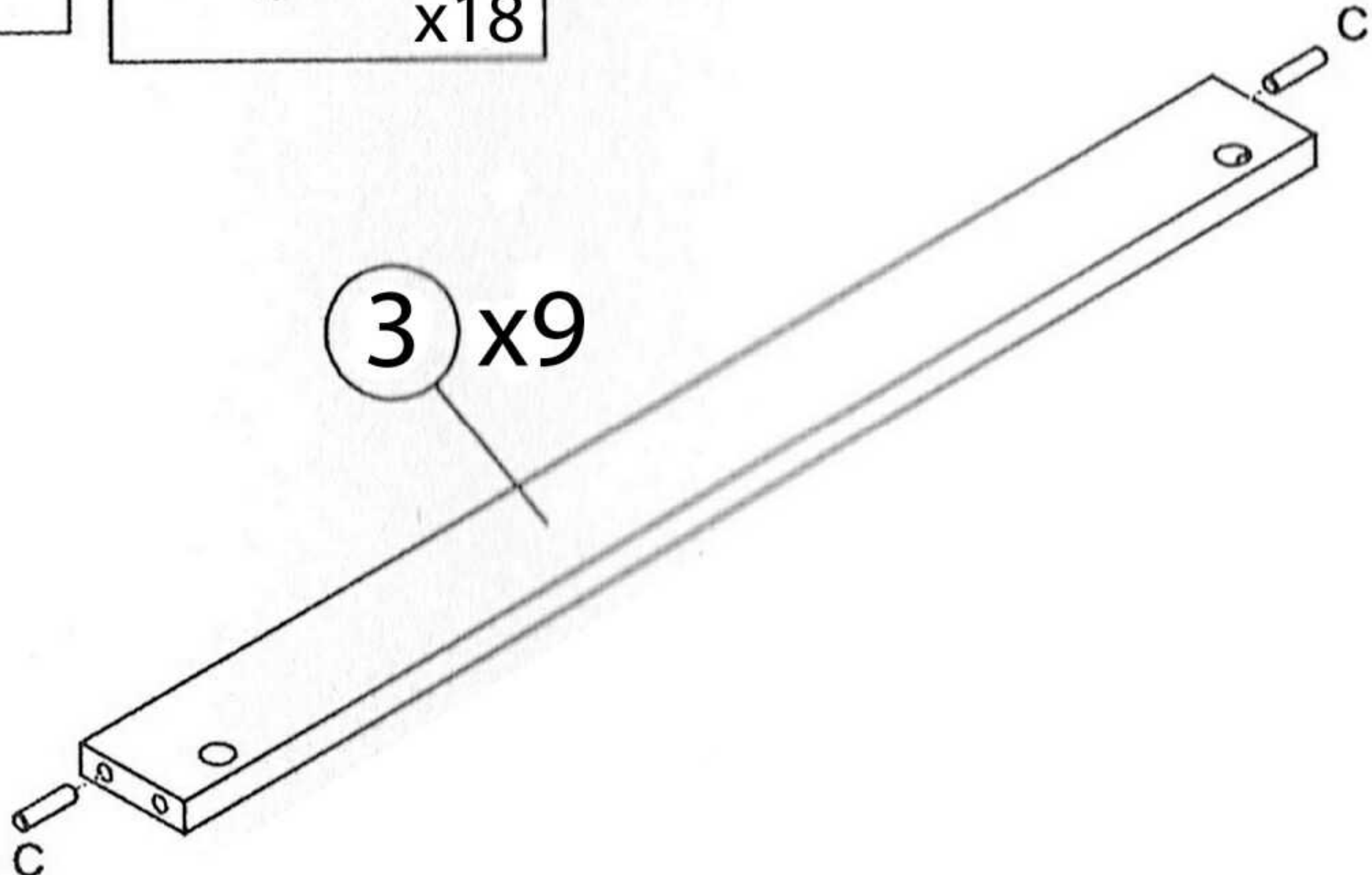
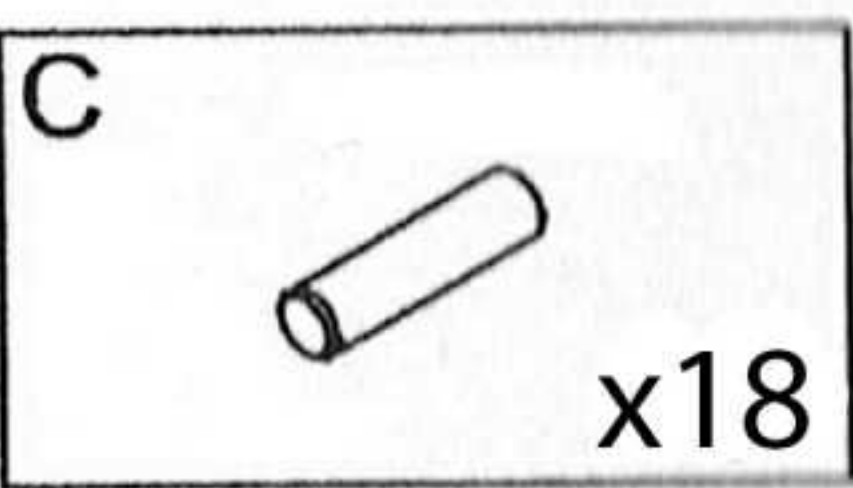
C  x4



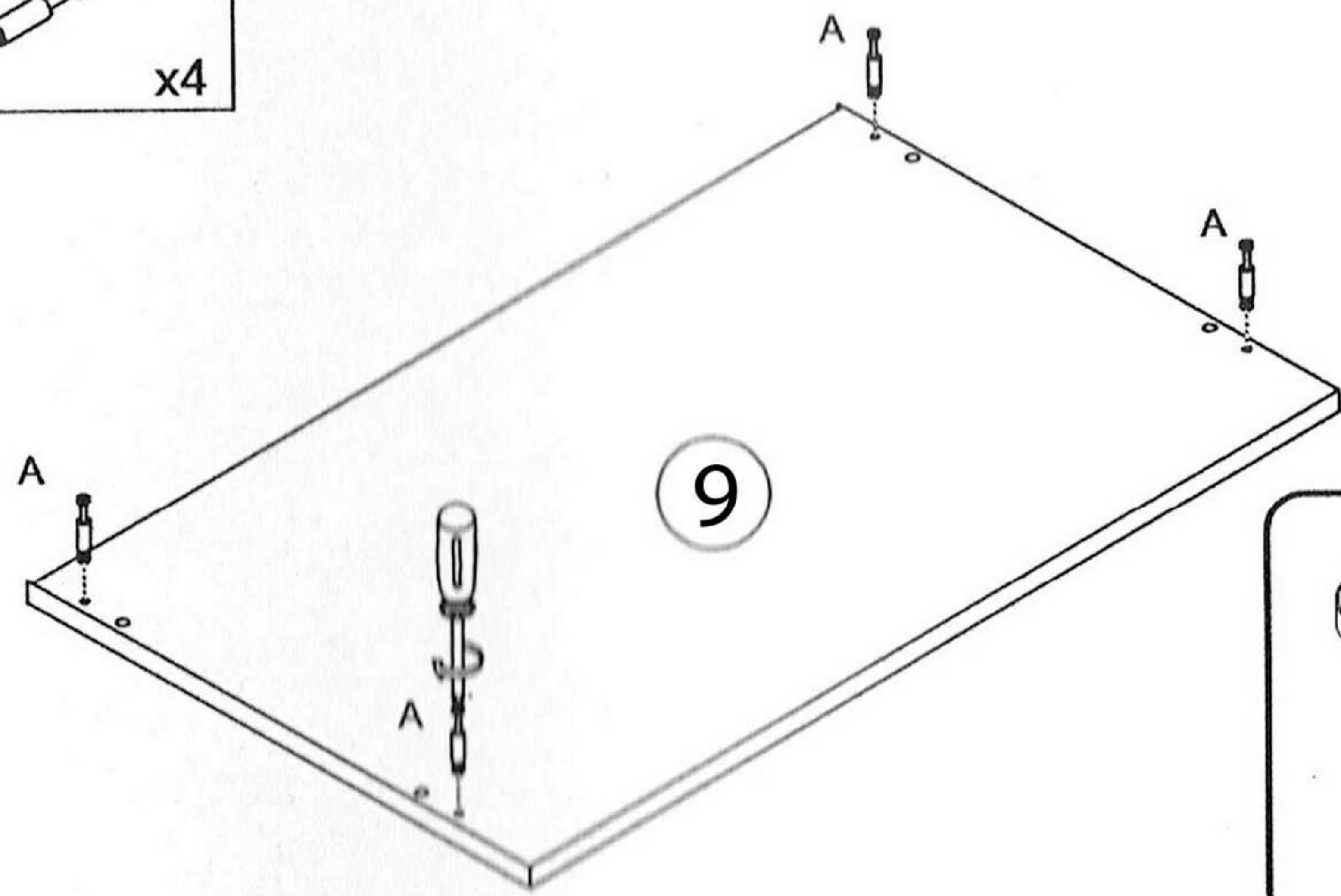


A

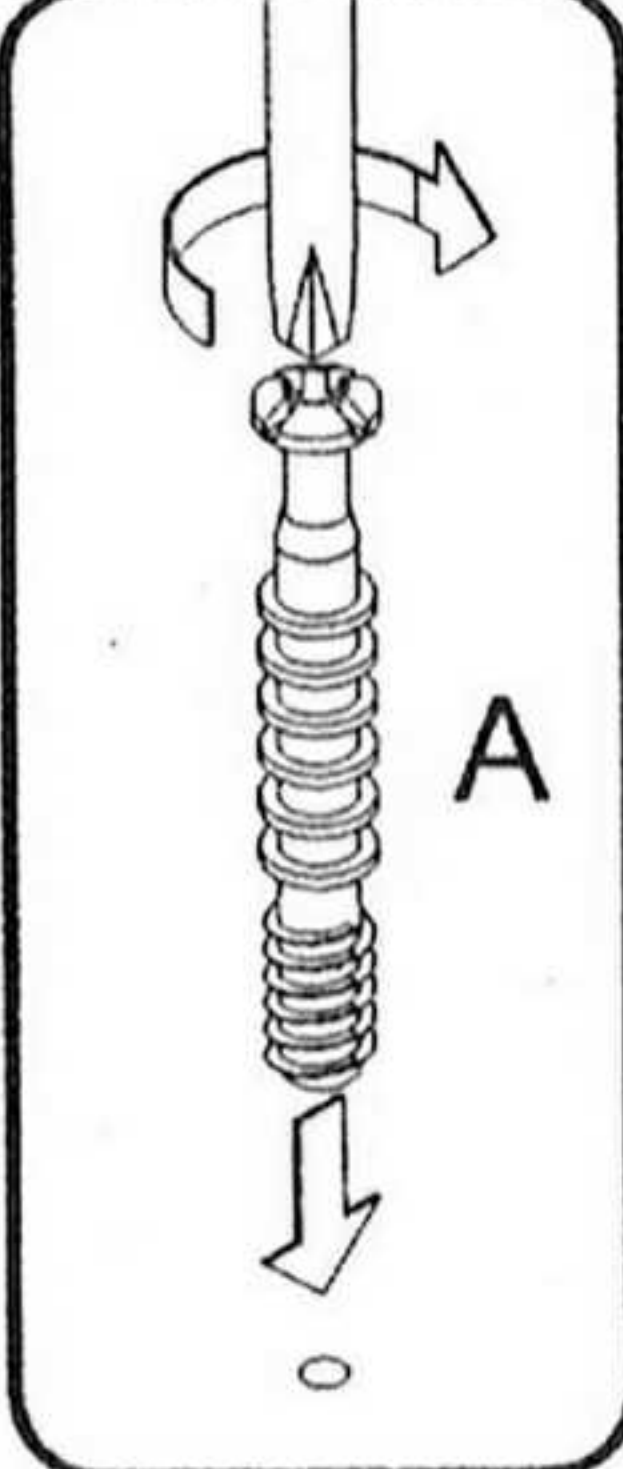
3



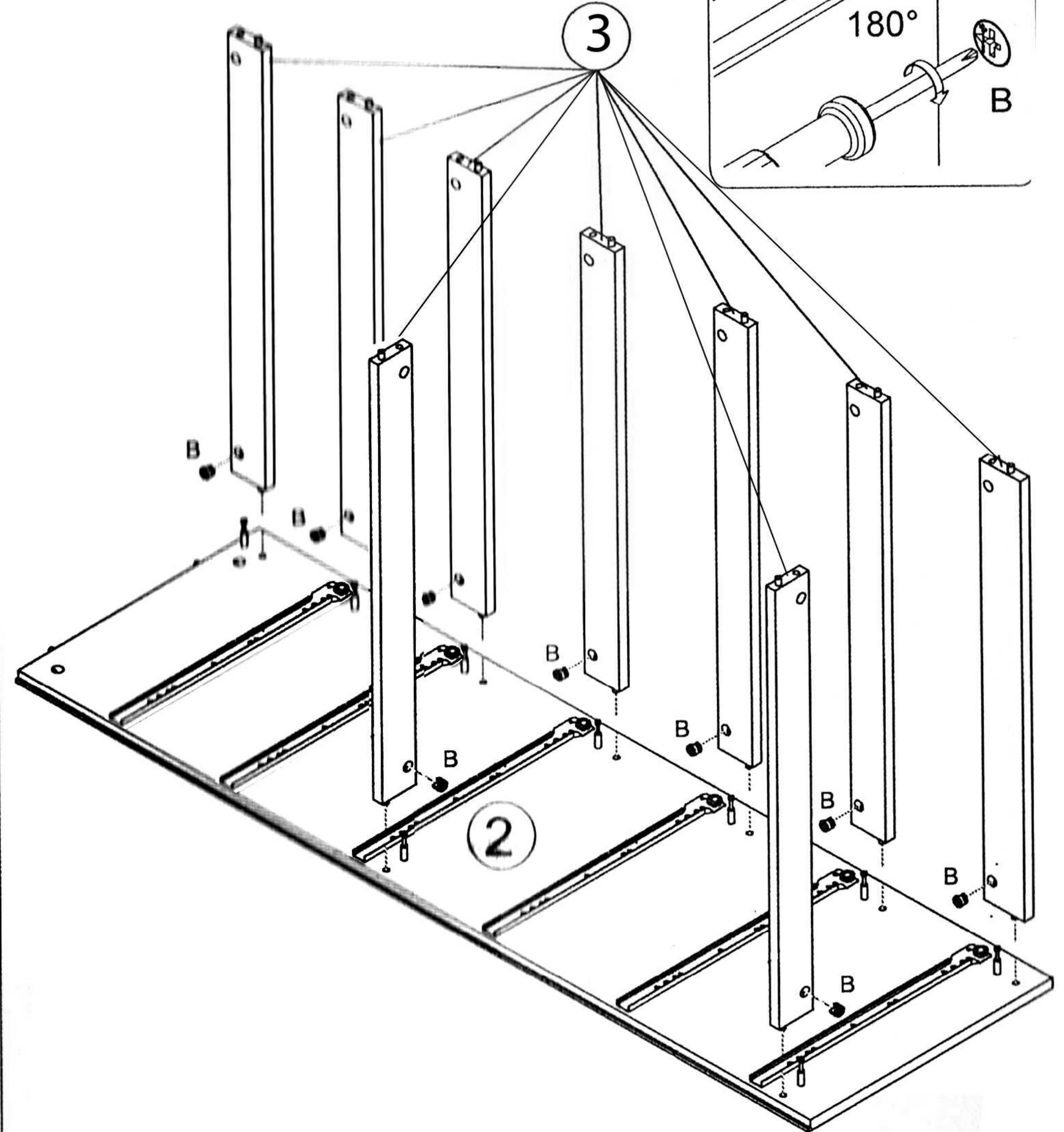
3 x9



9

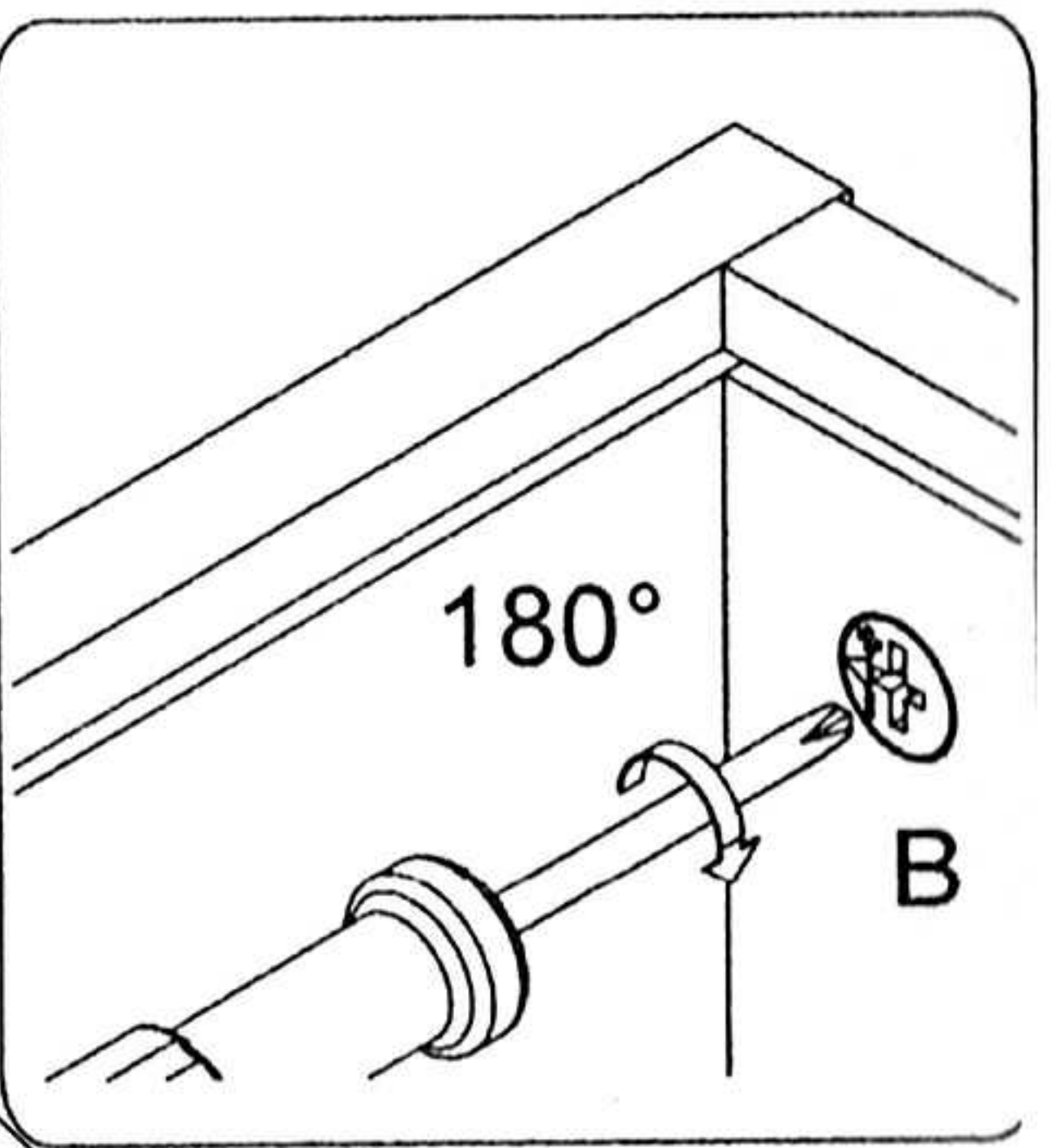


4



3

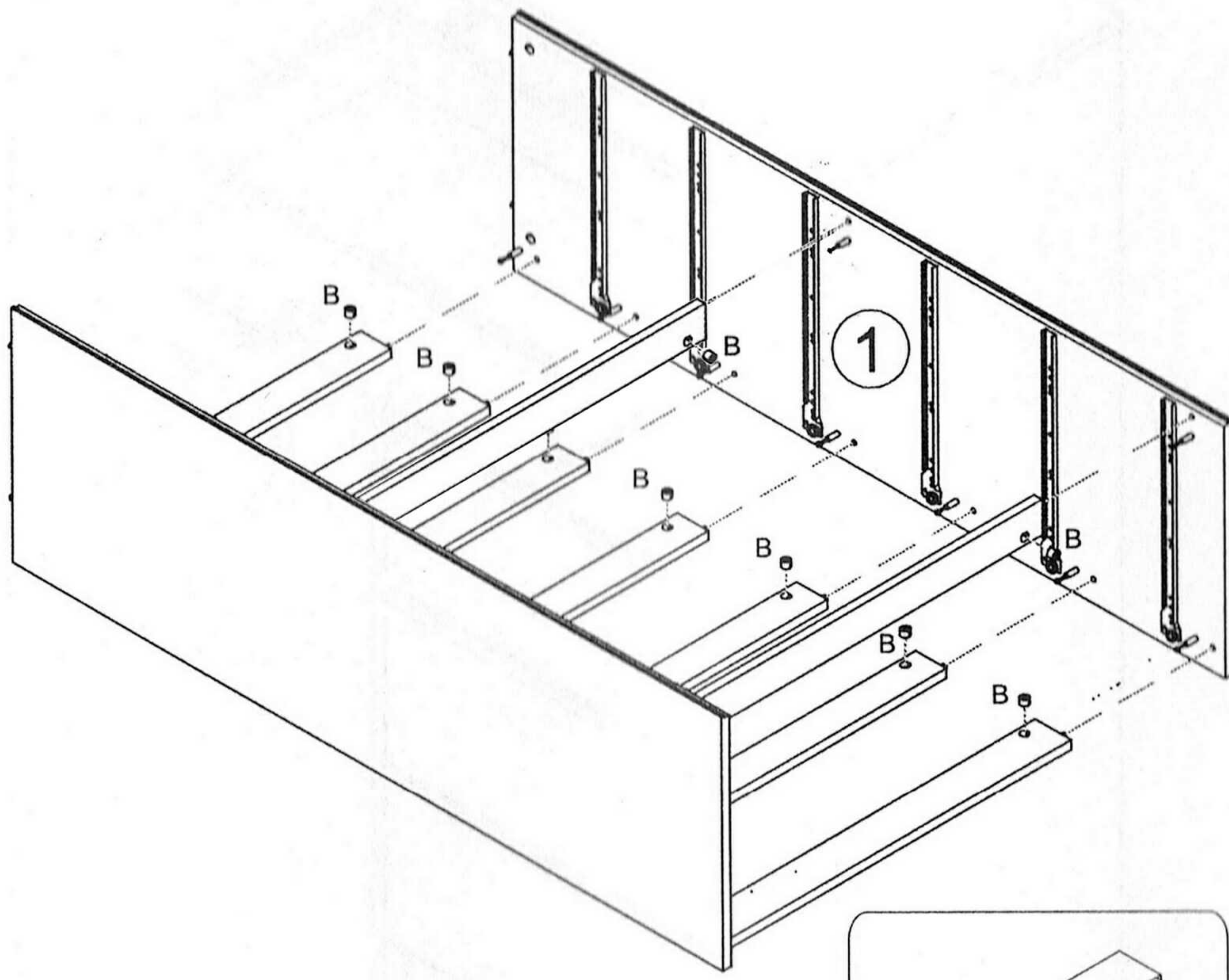
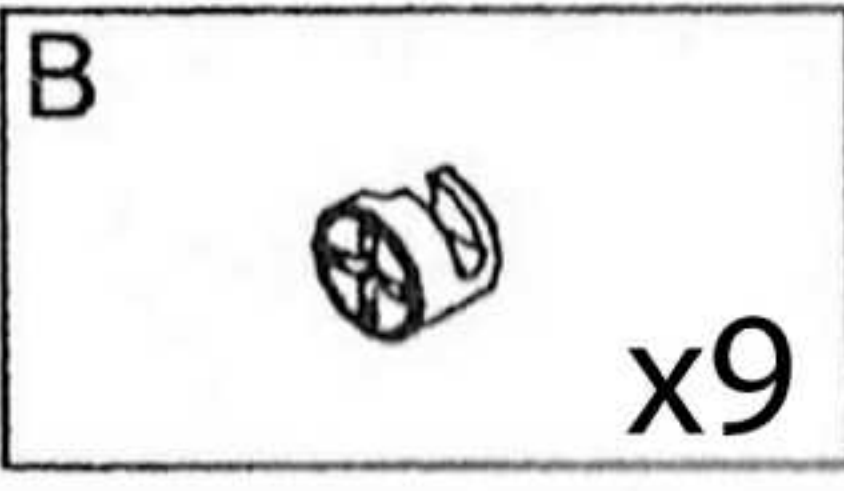
2



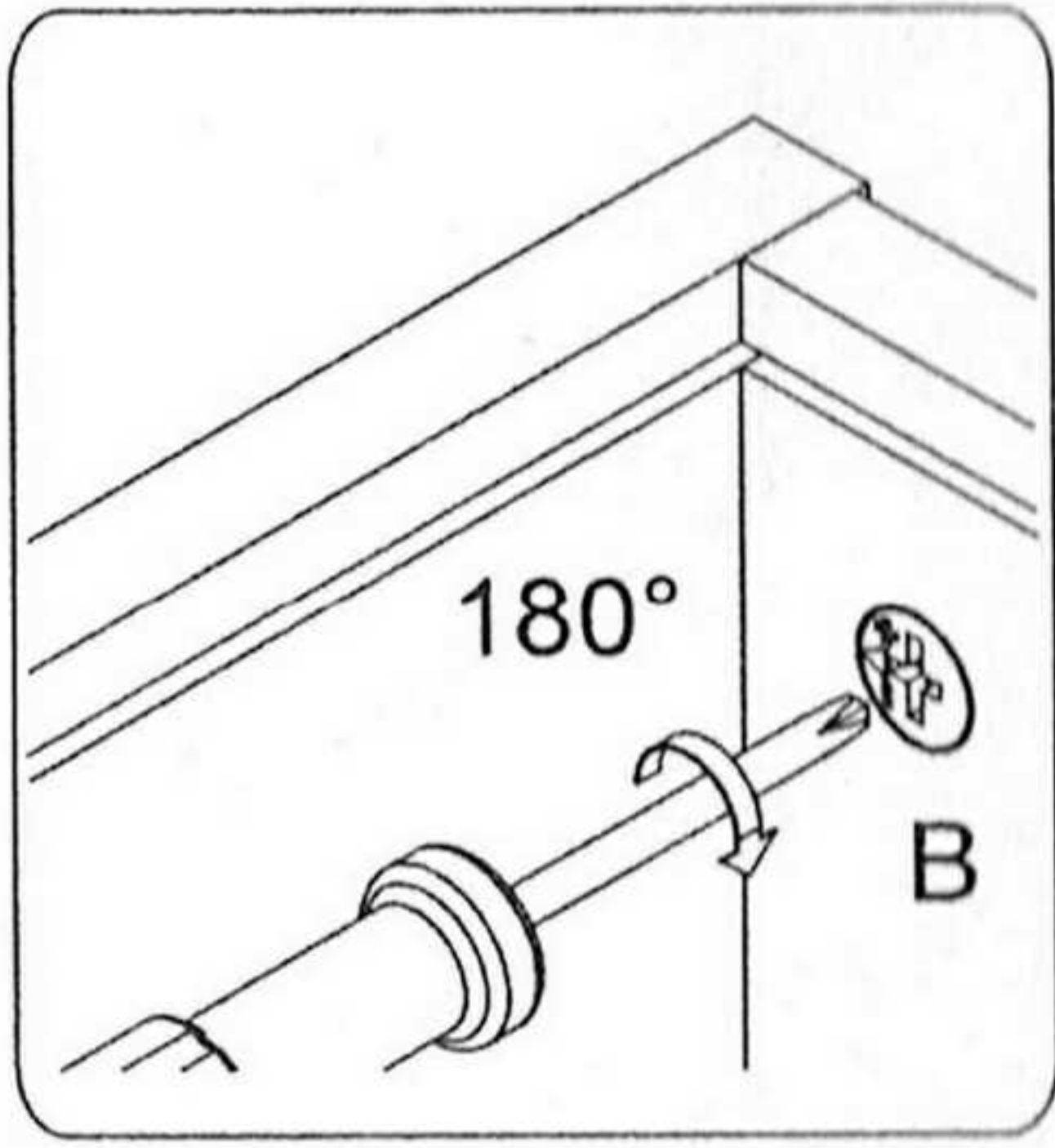
180°

B

5



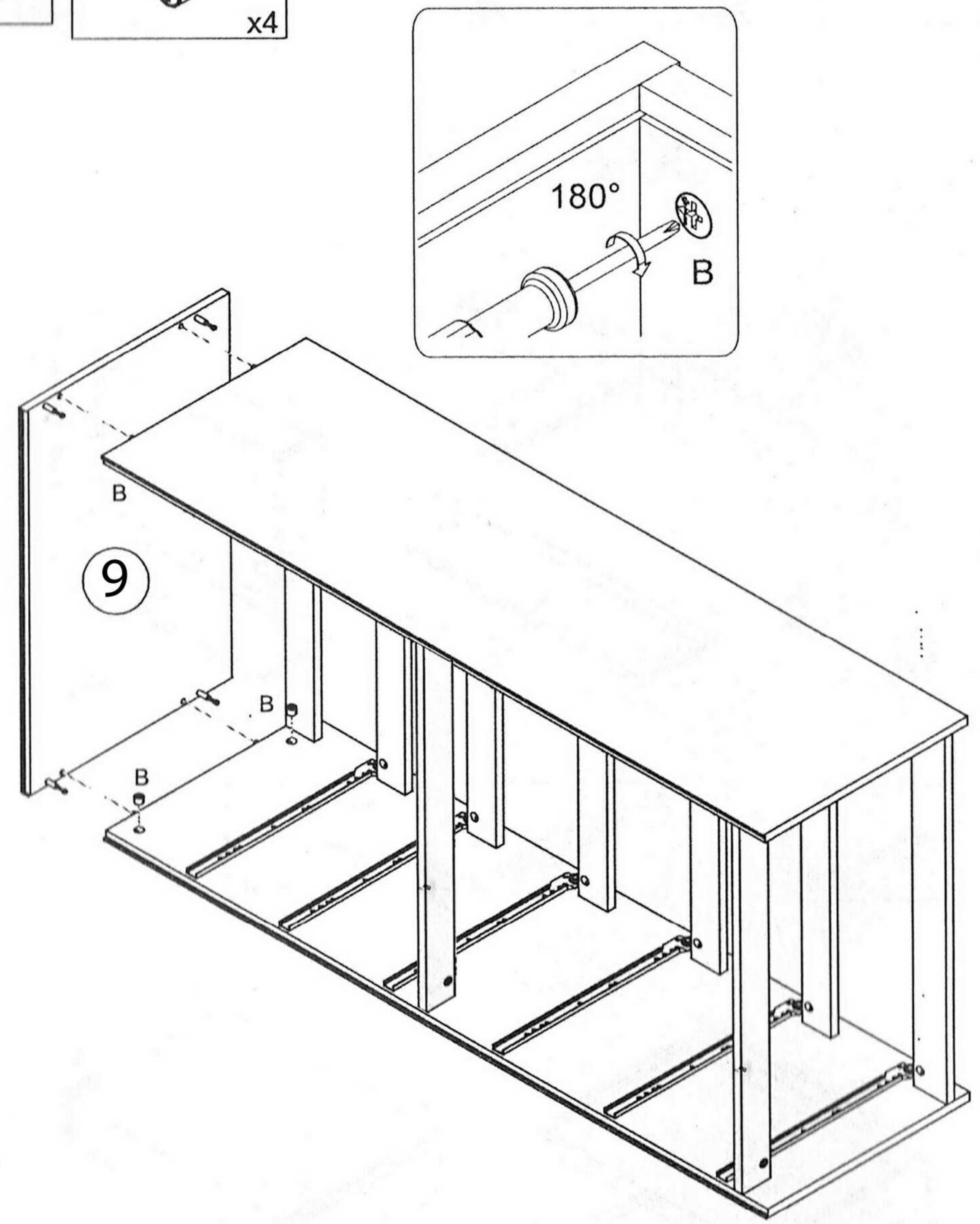
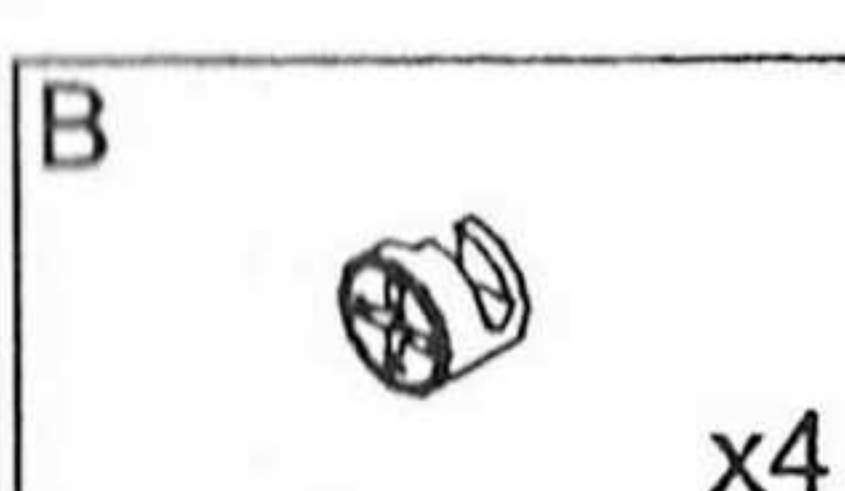
1



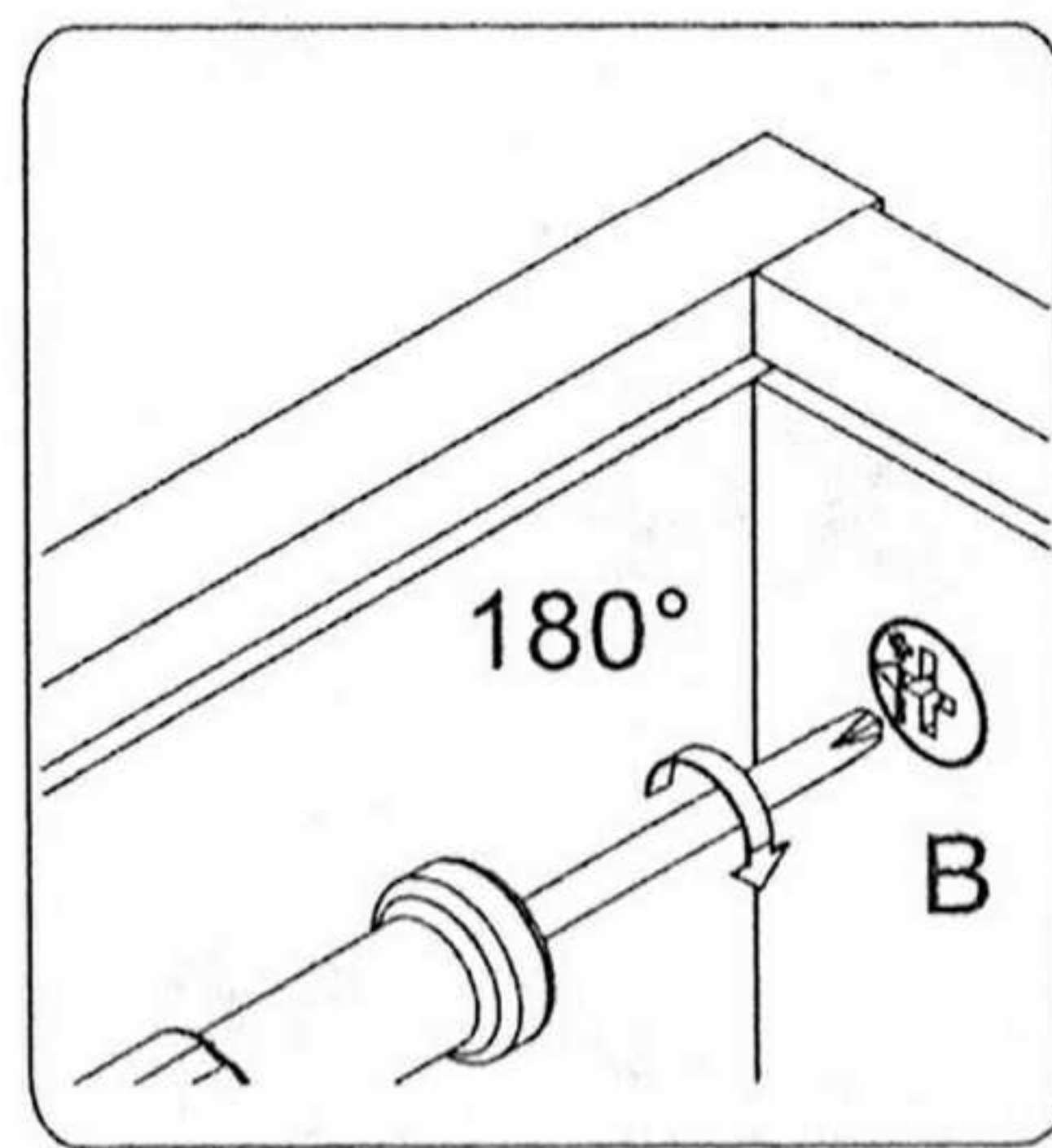
180°

B

6



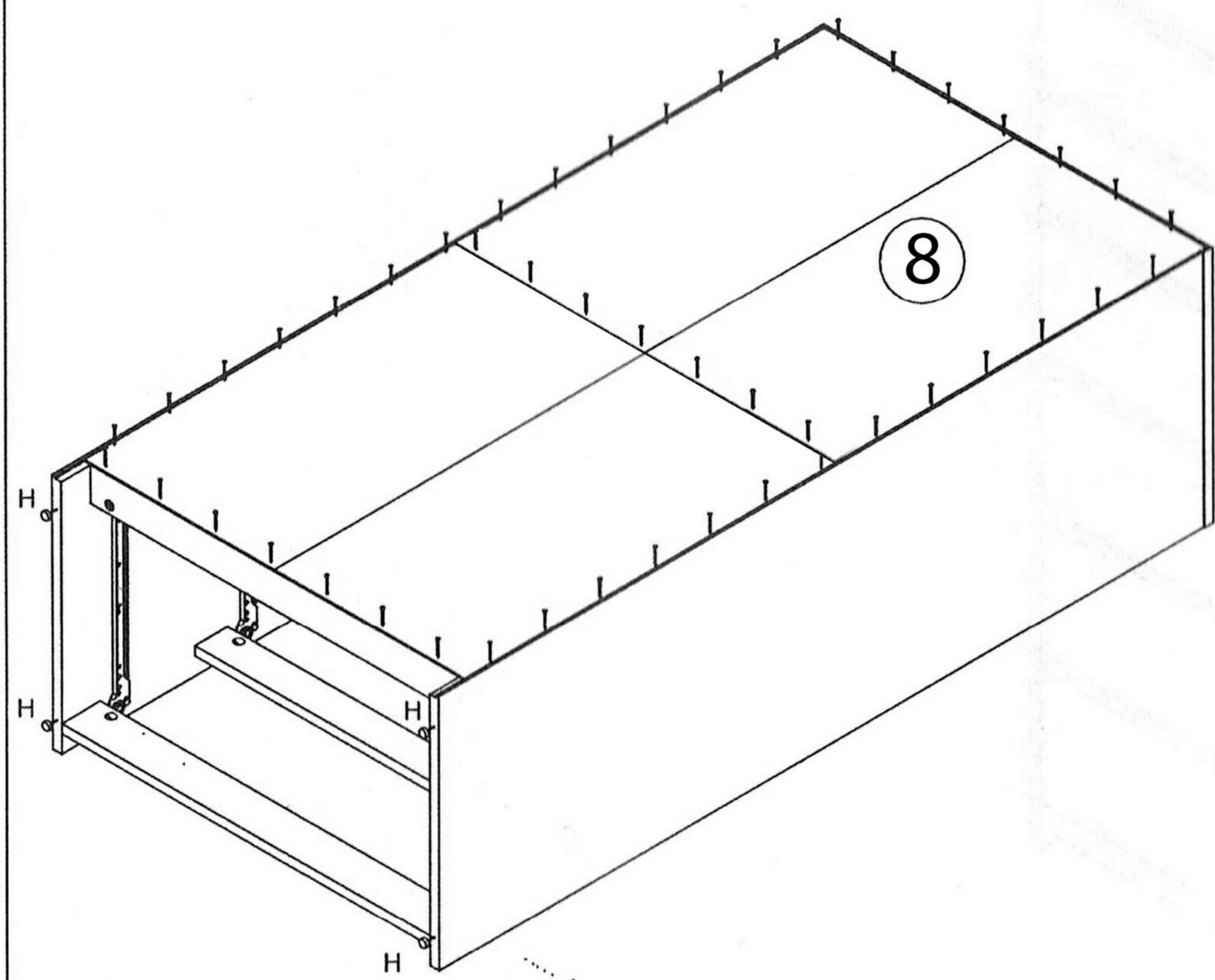
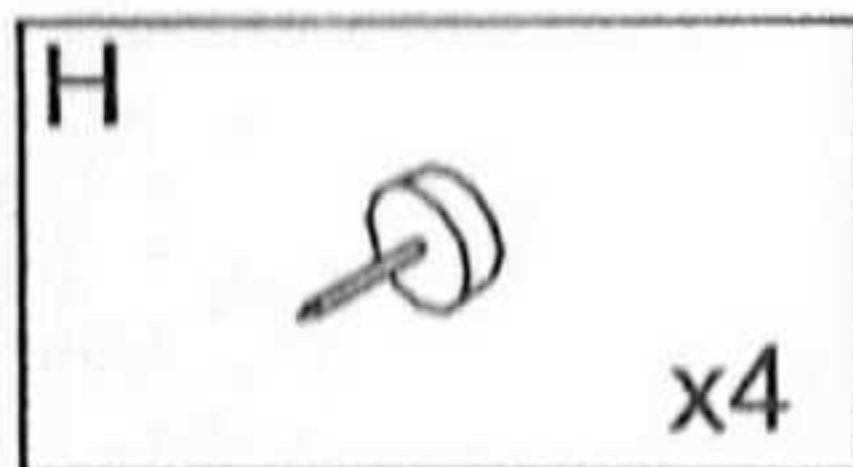
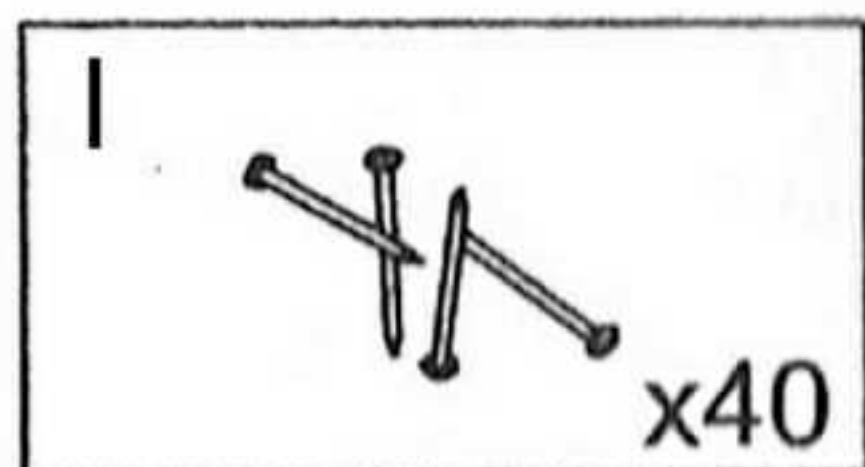
9



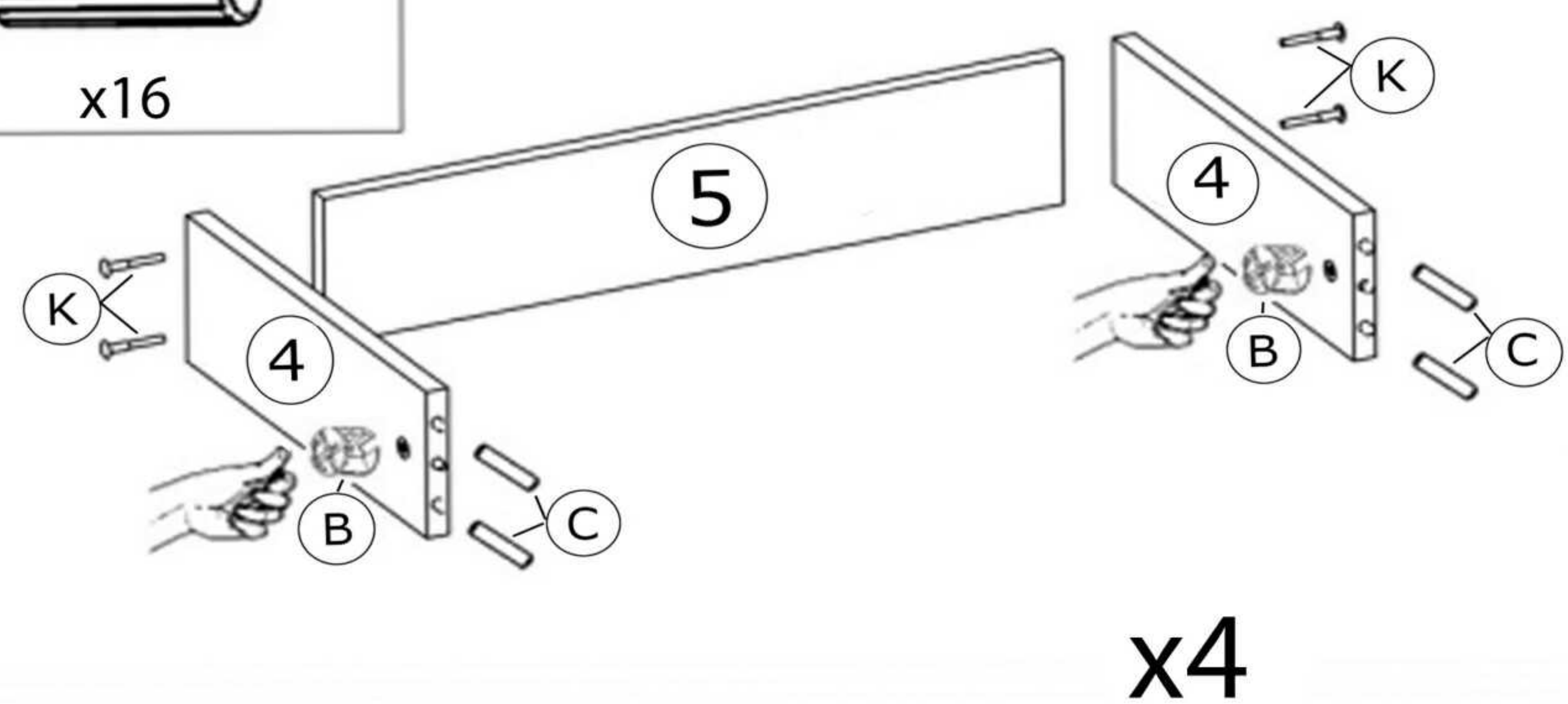
180°

B

7

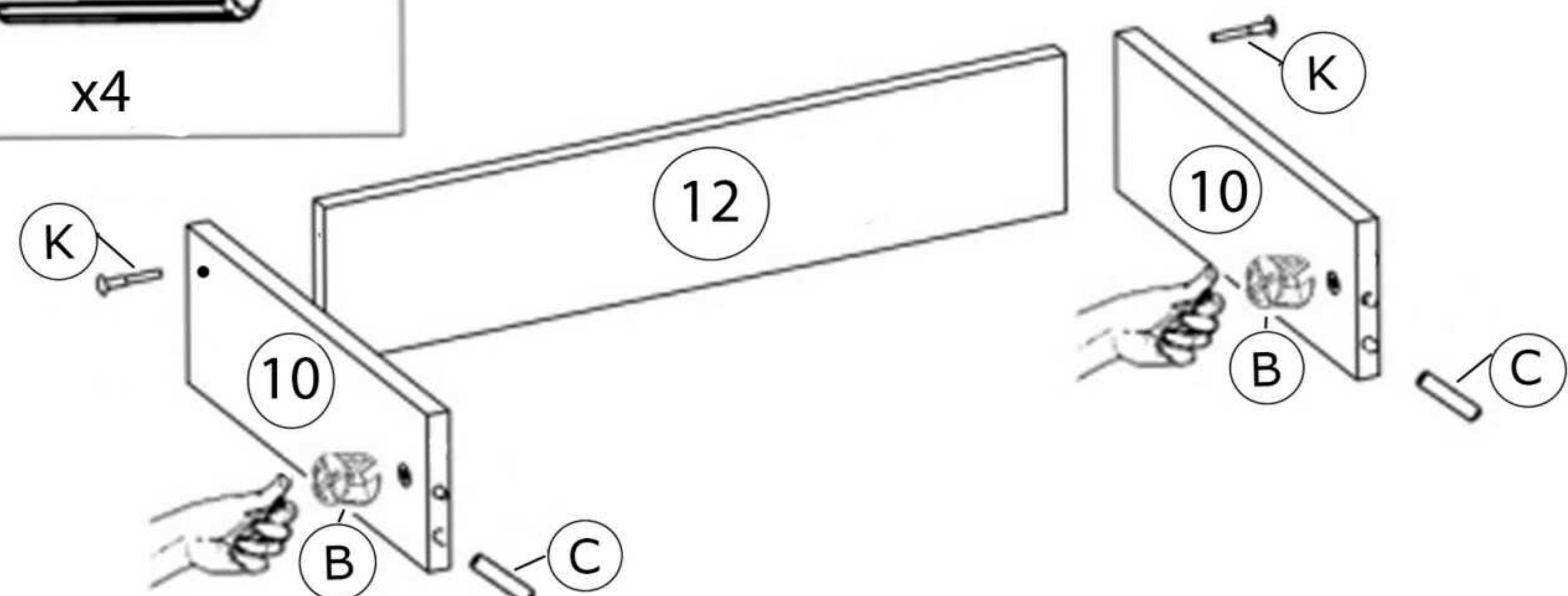
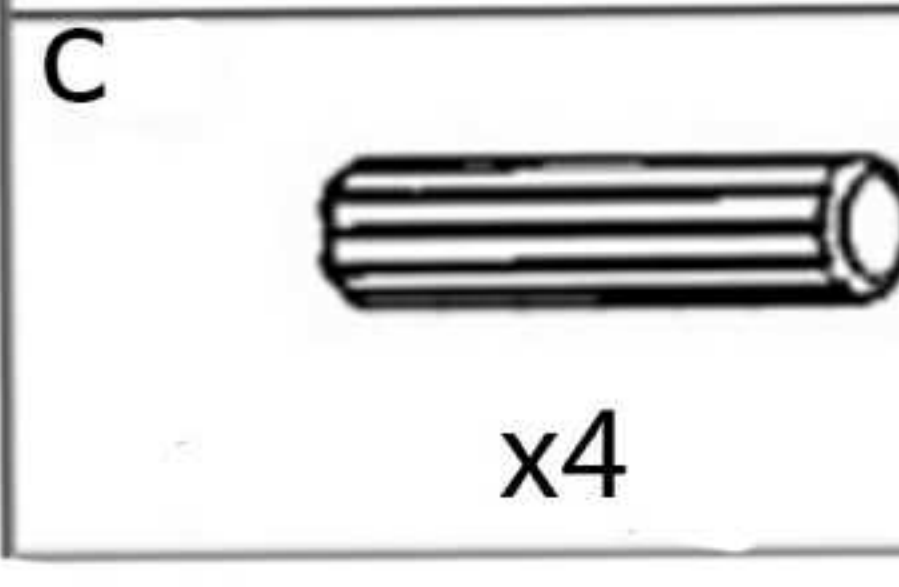
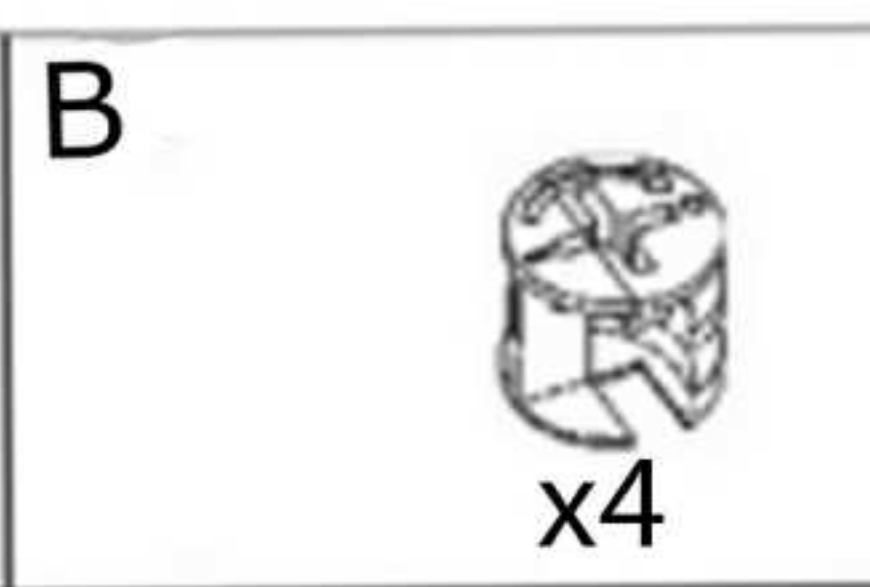
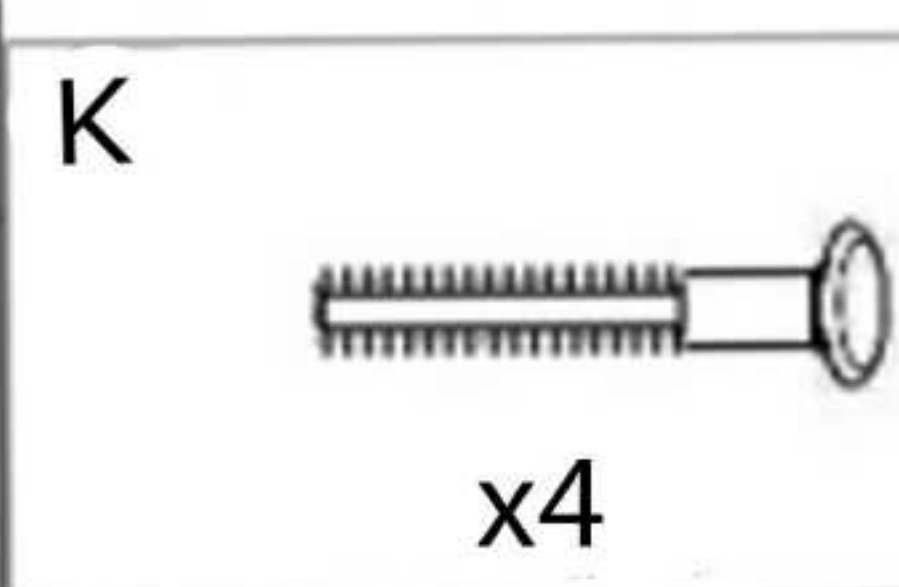


8

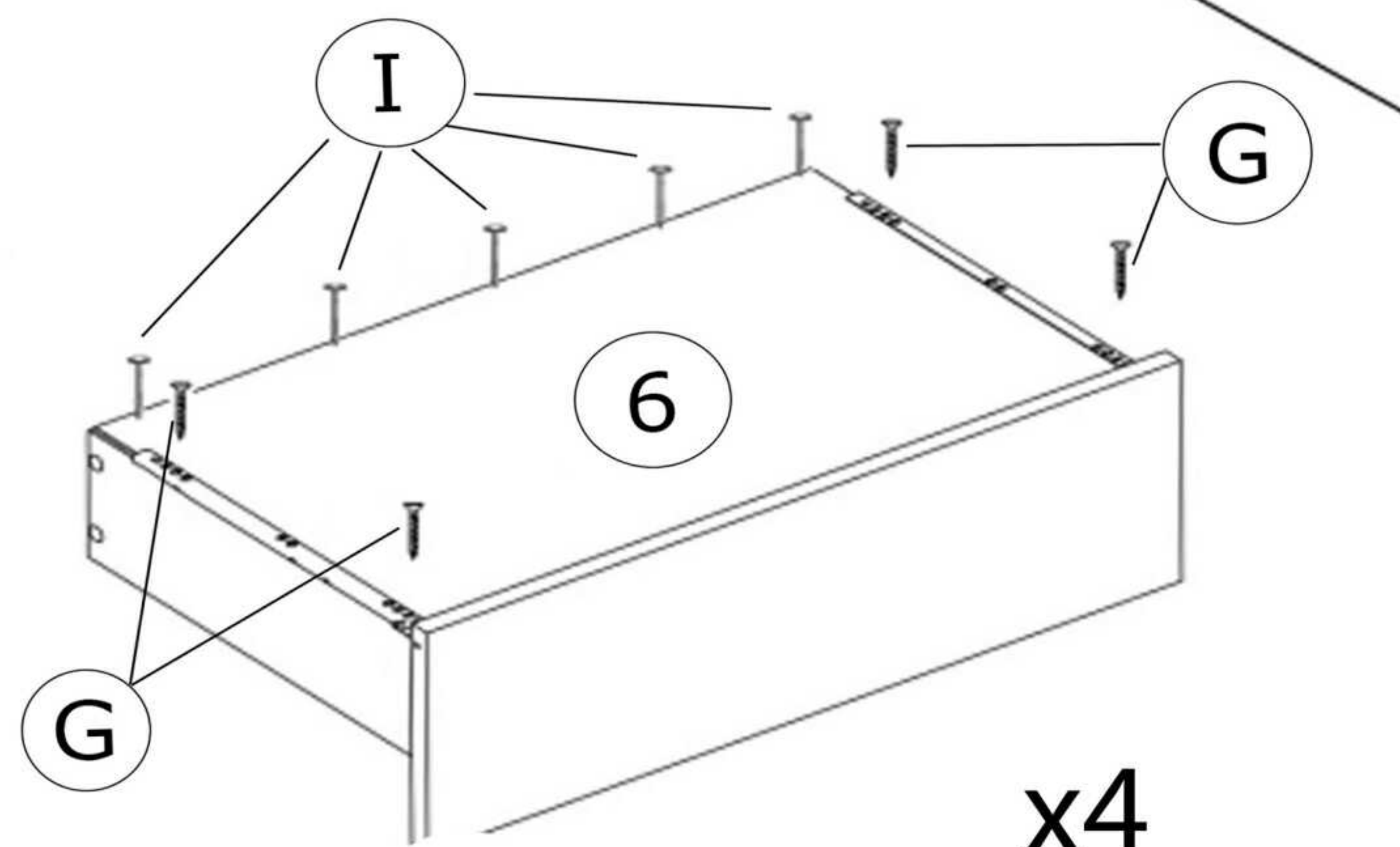
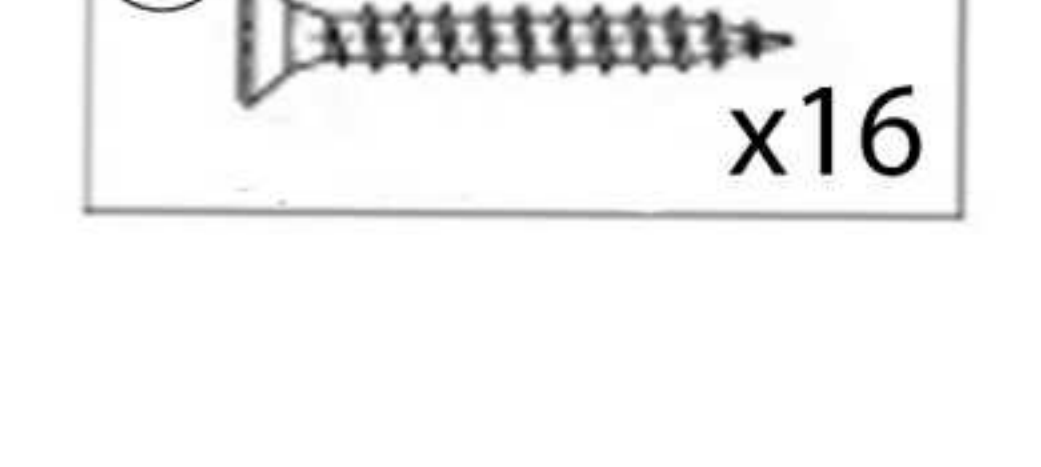
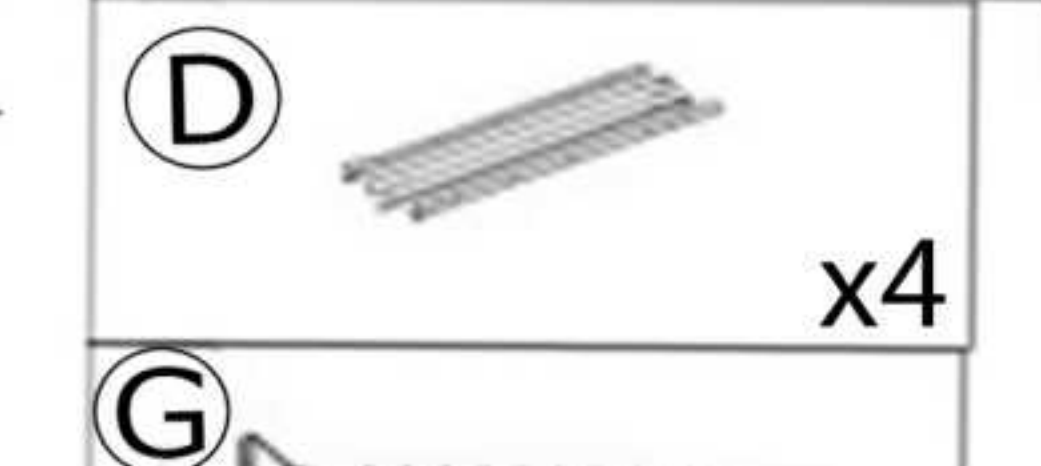
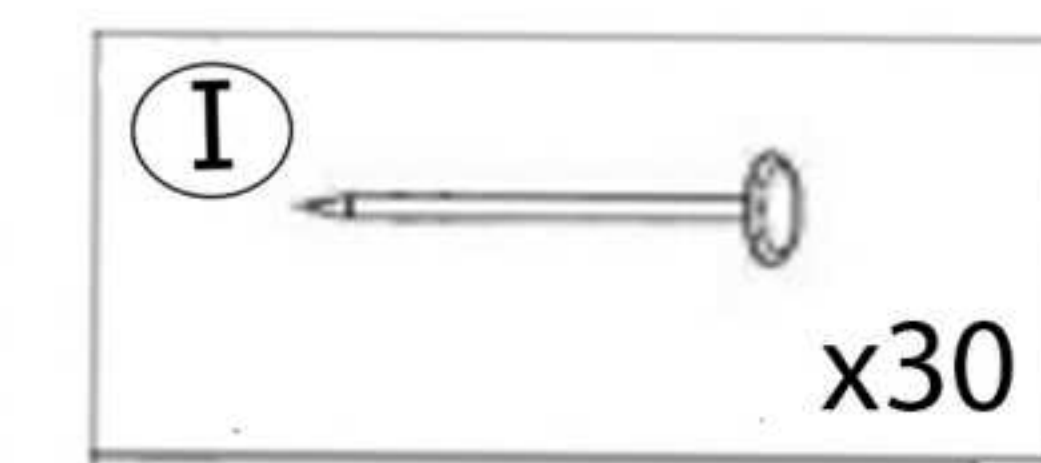
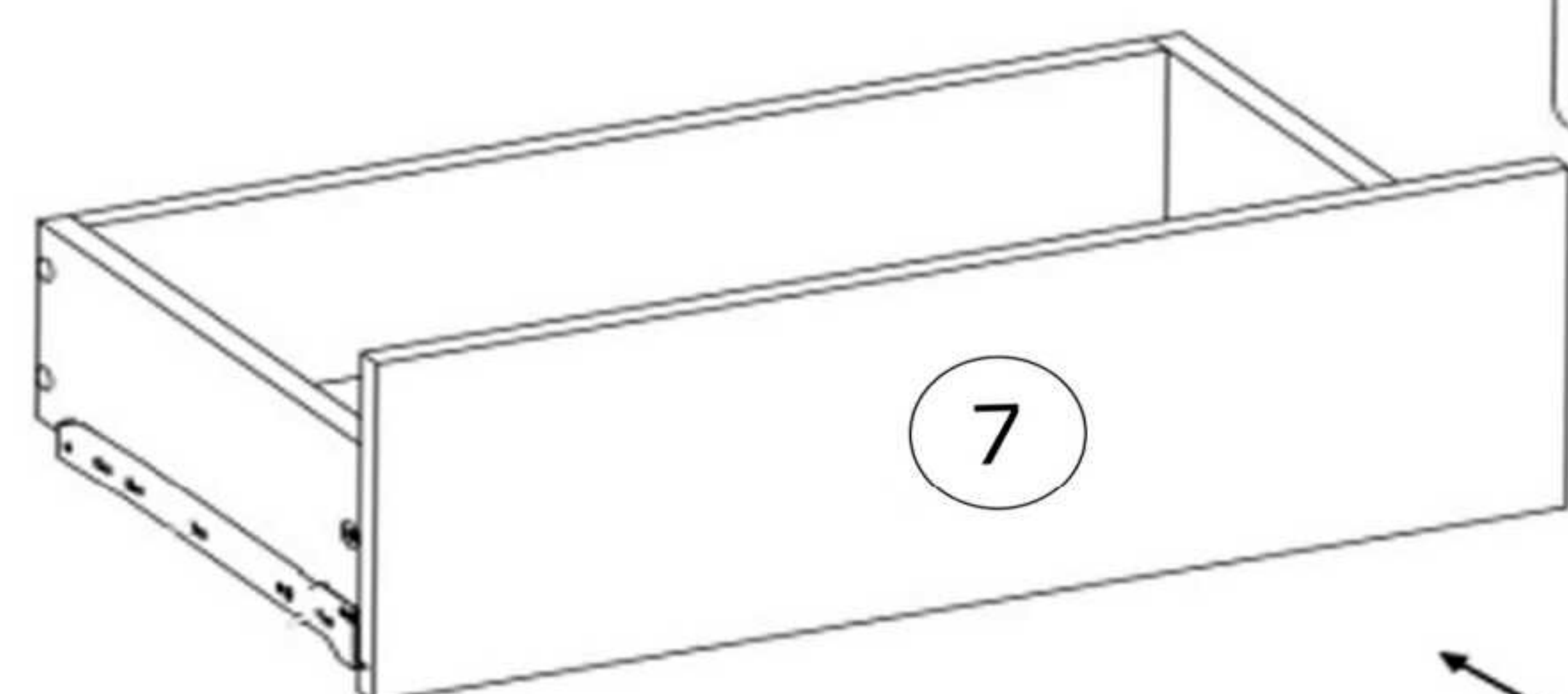
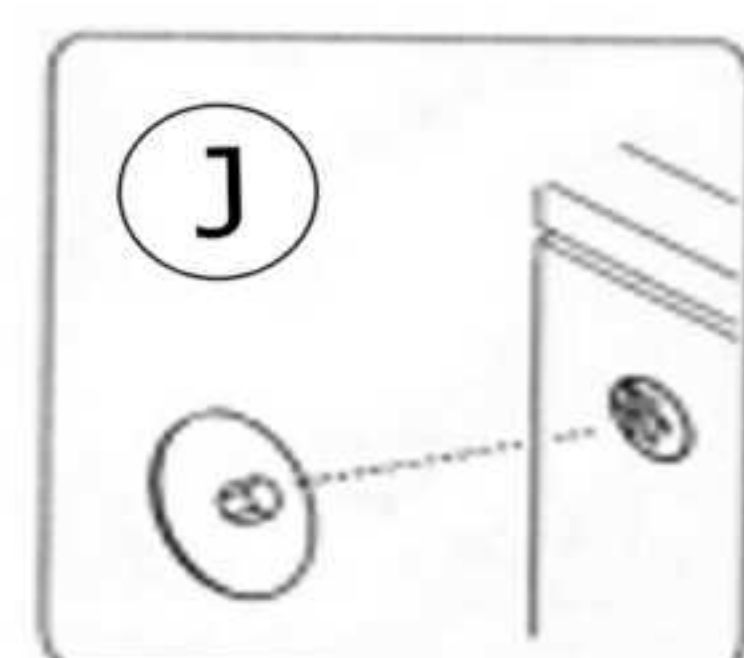
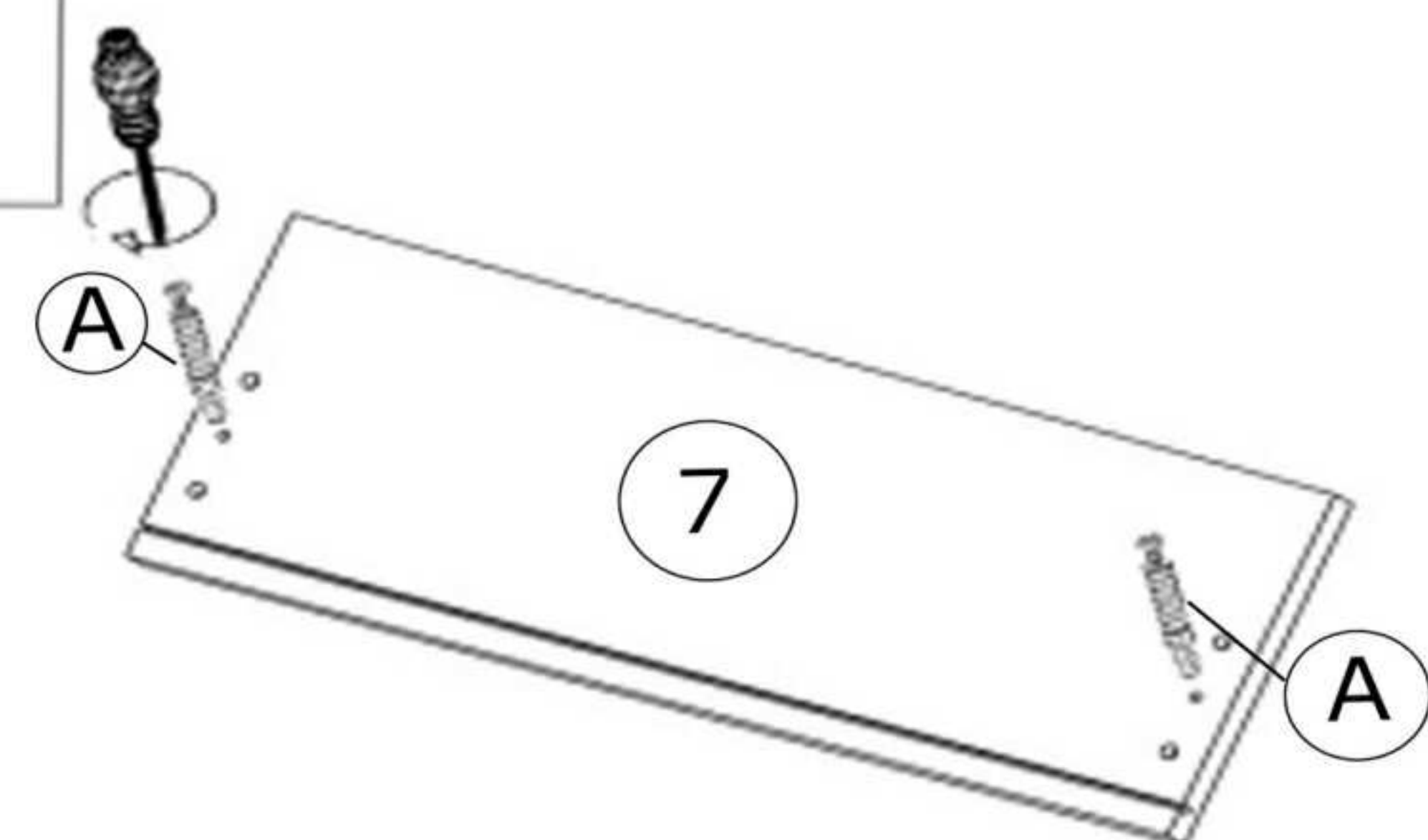
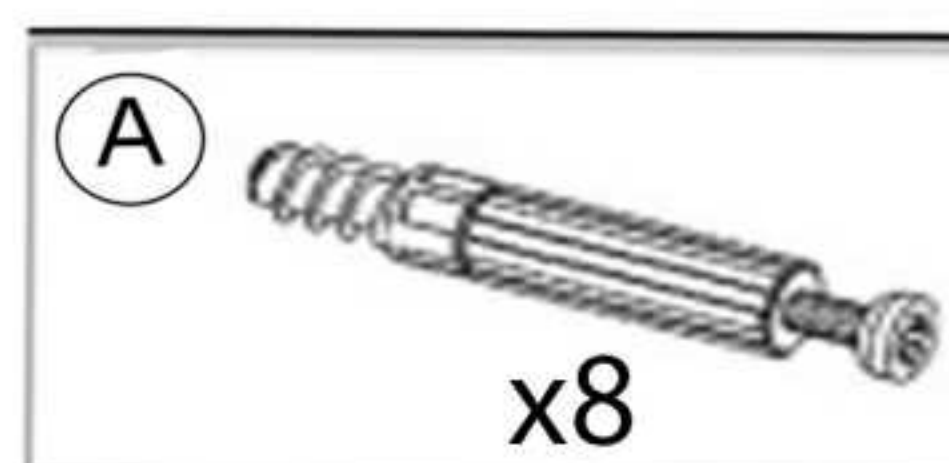


x4

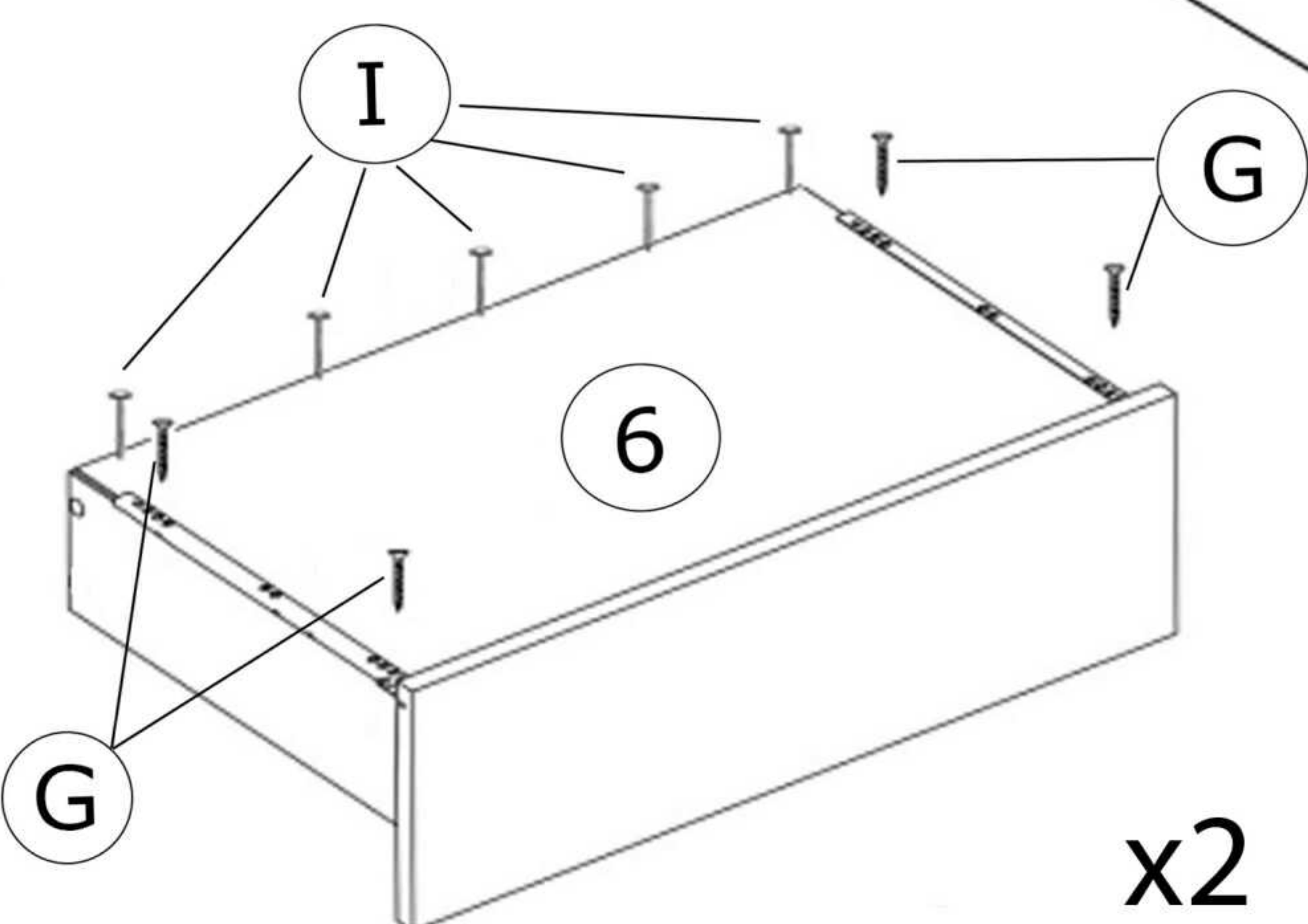
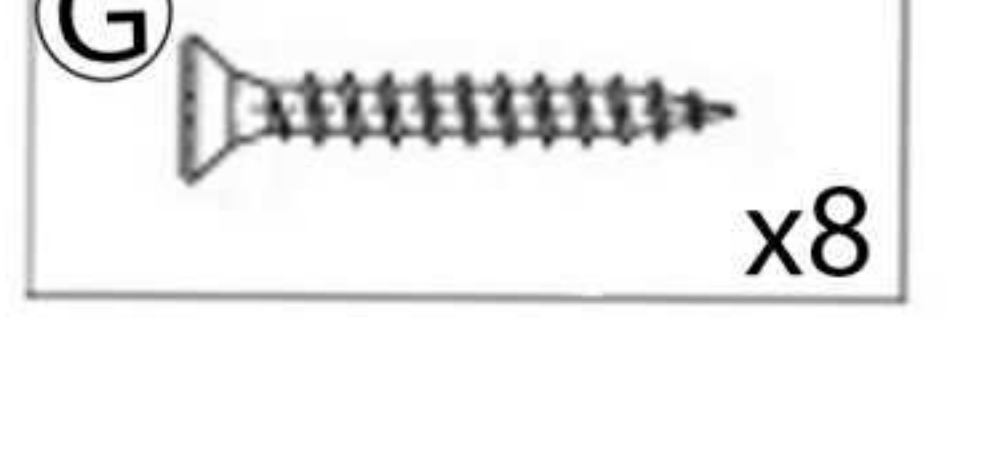
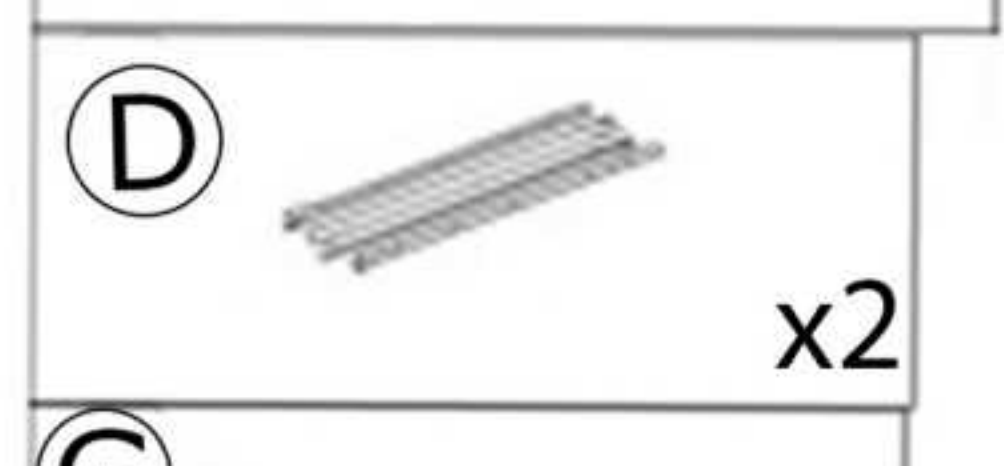
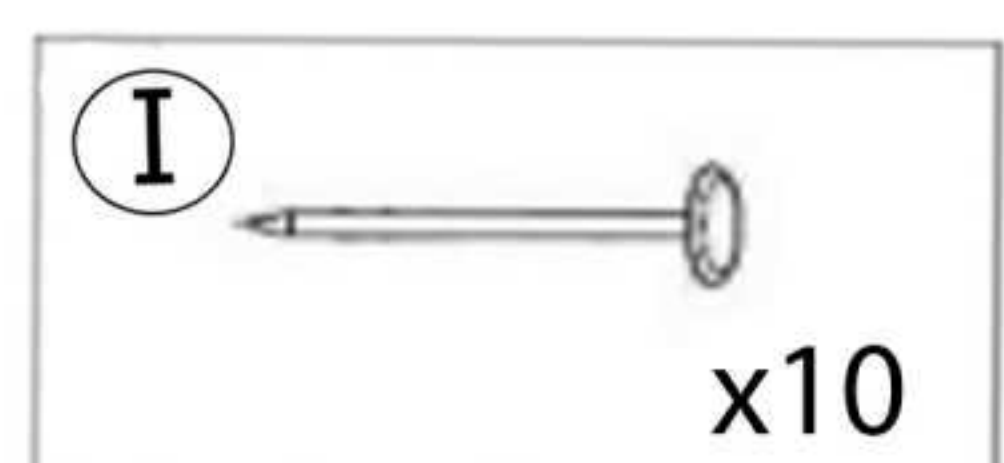
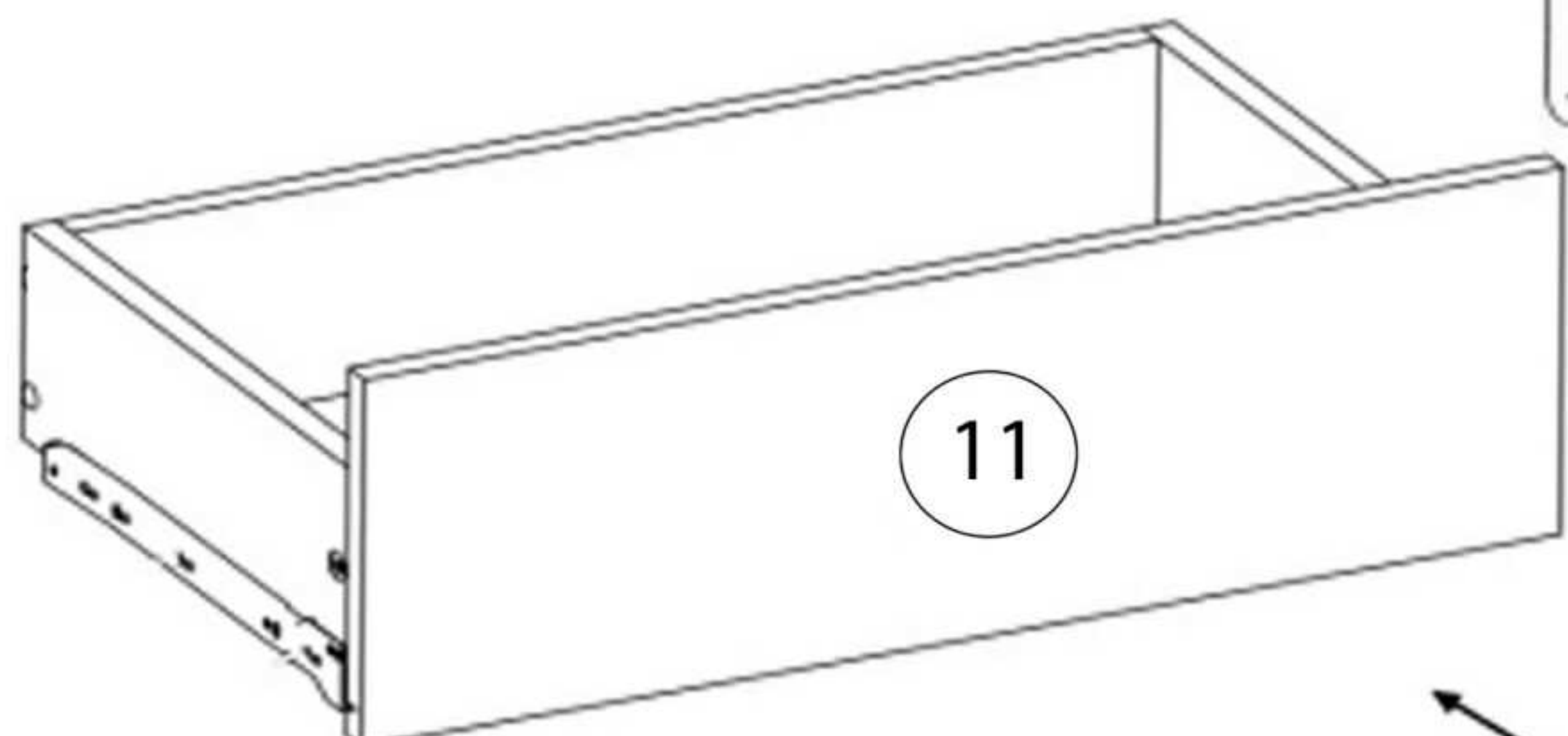
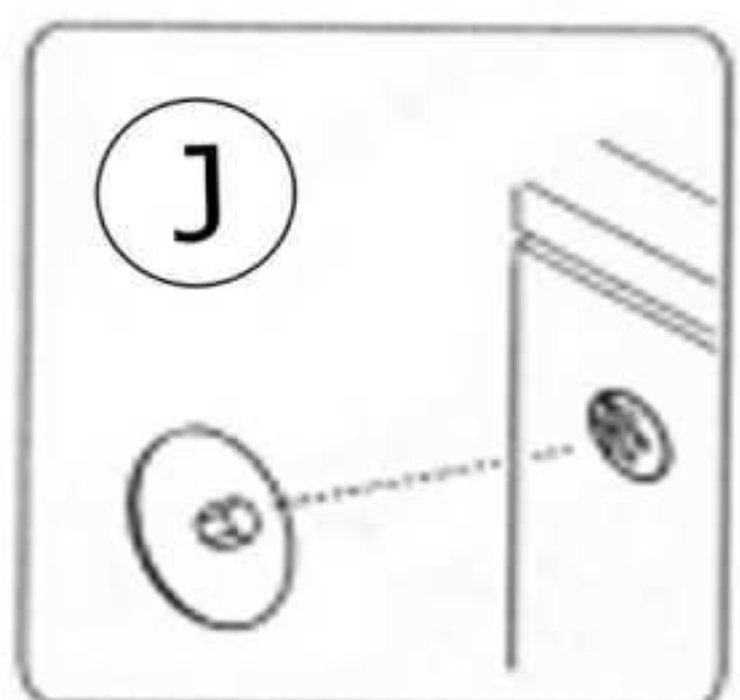
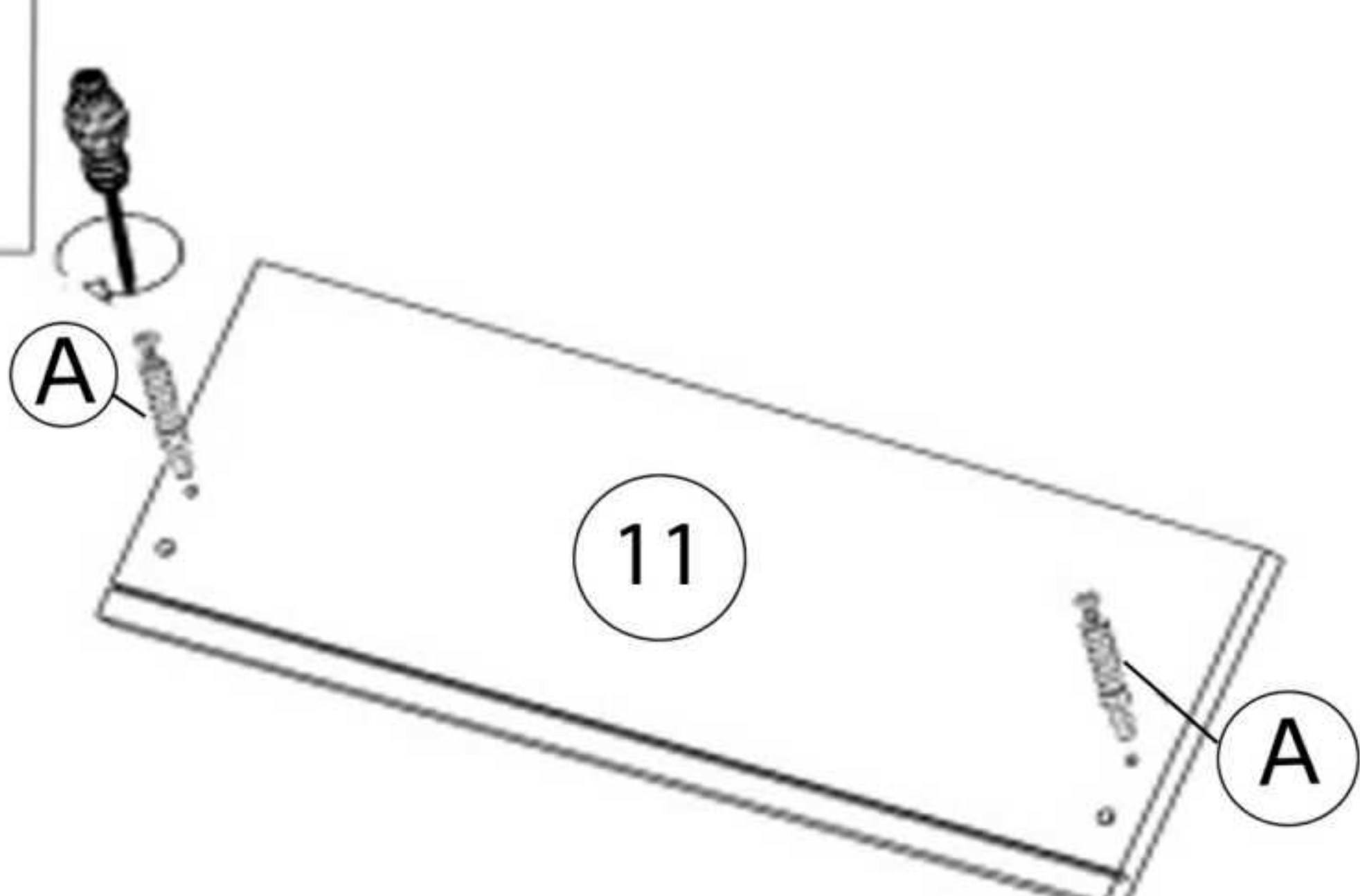
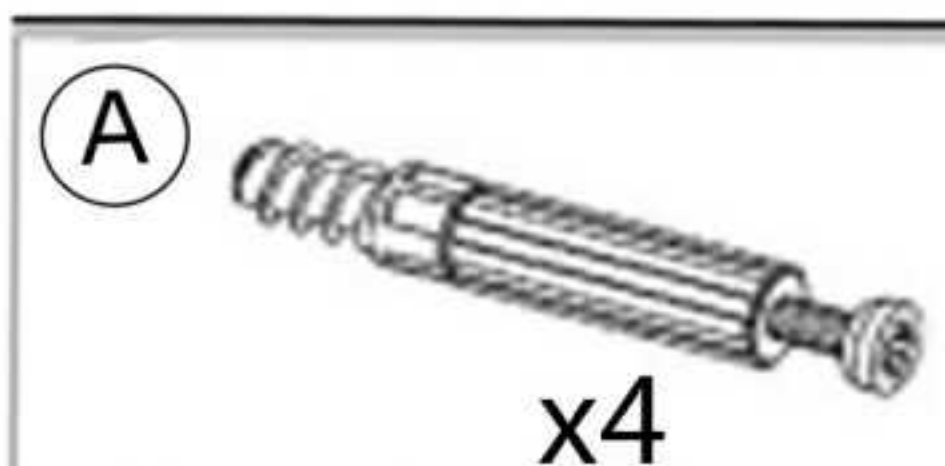
9



x2



x4



x2

