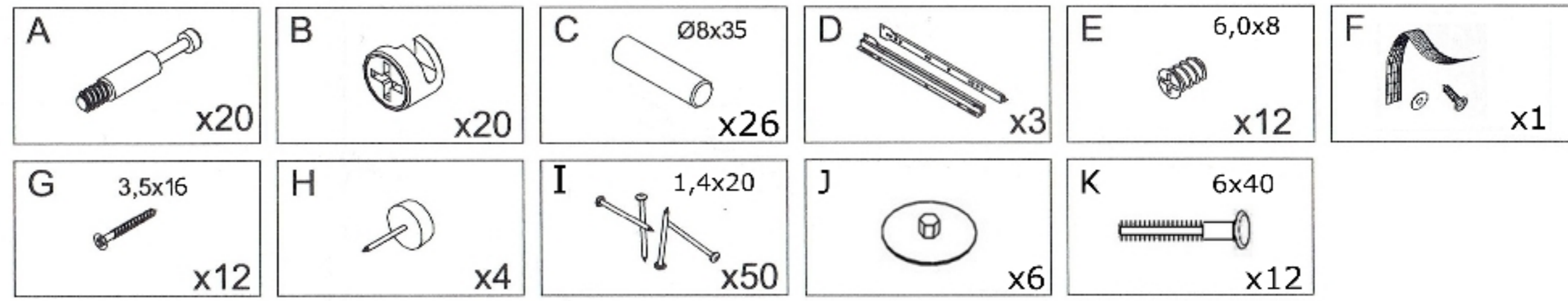
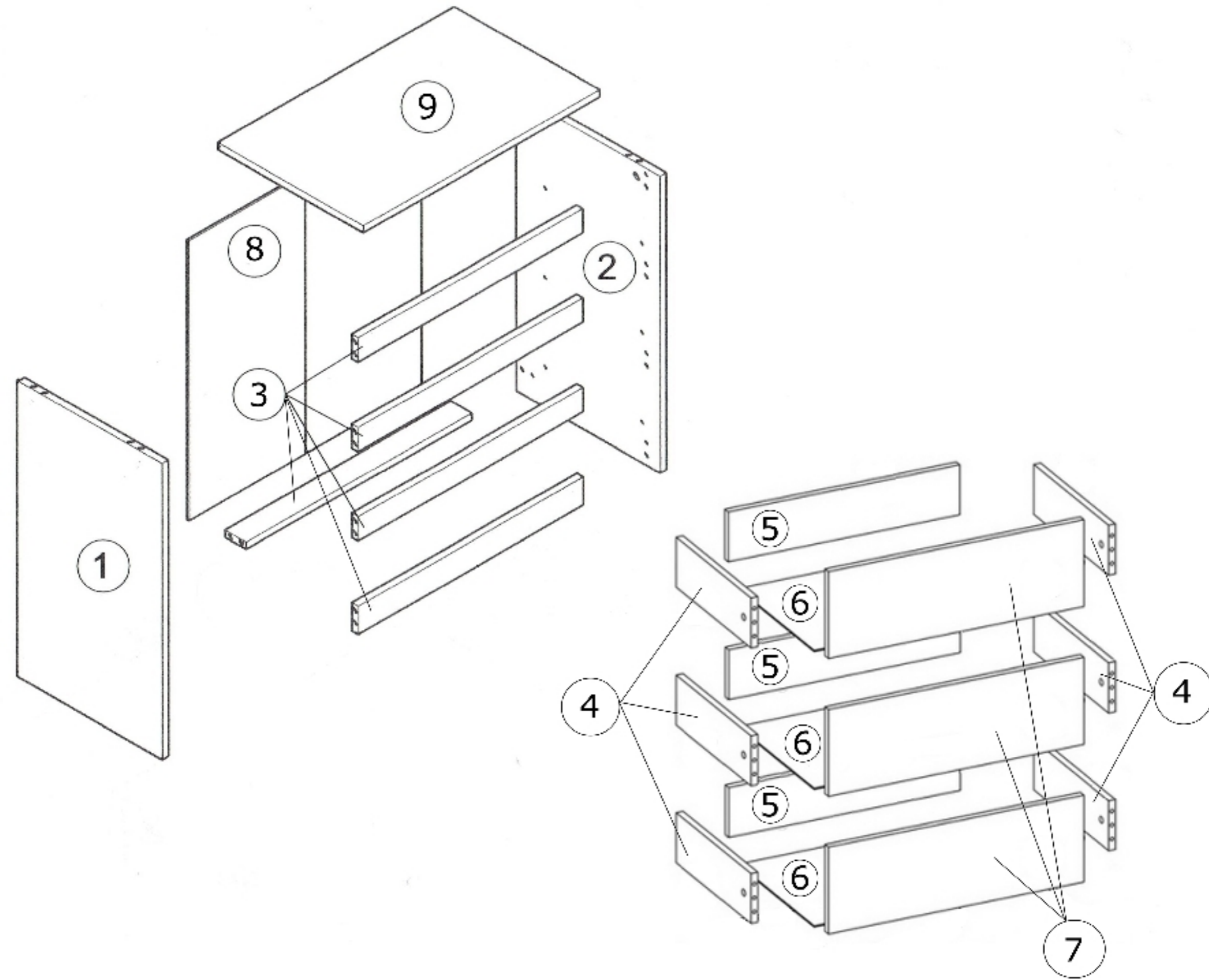
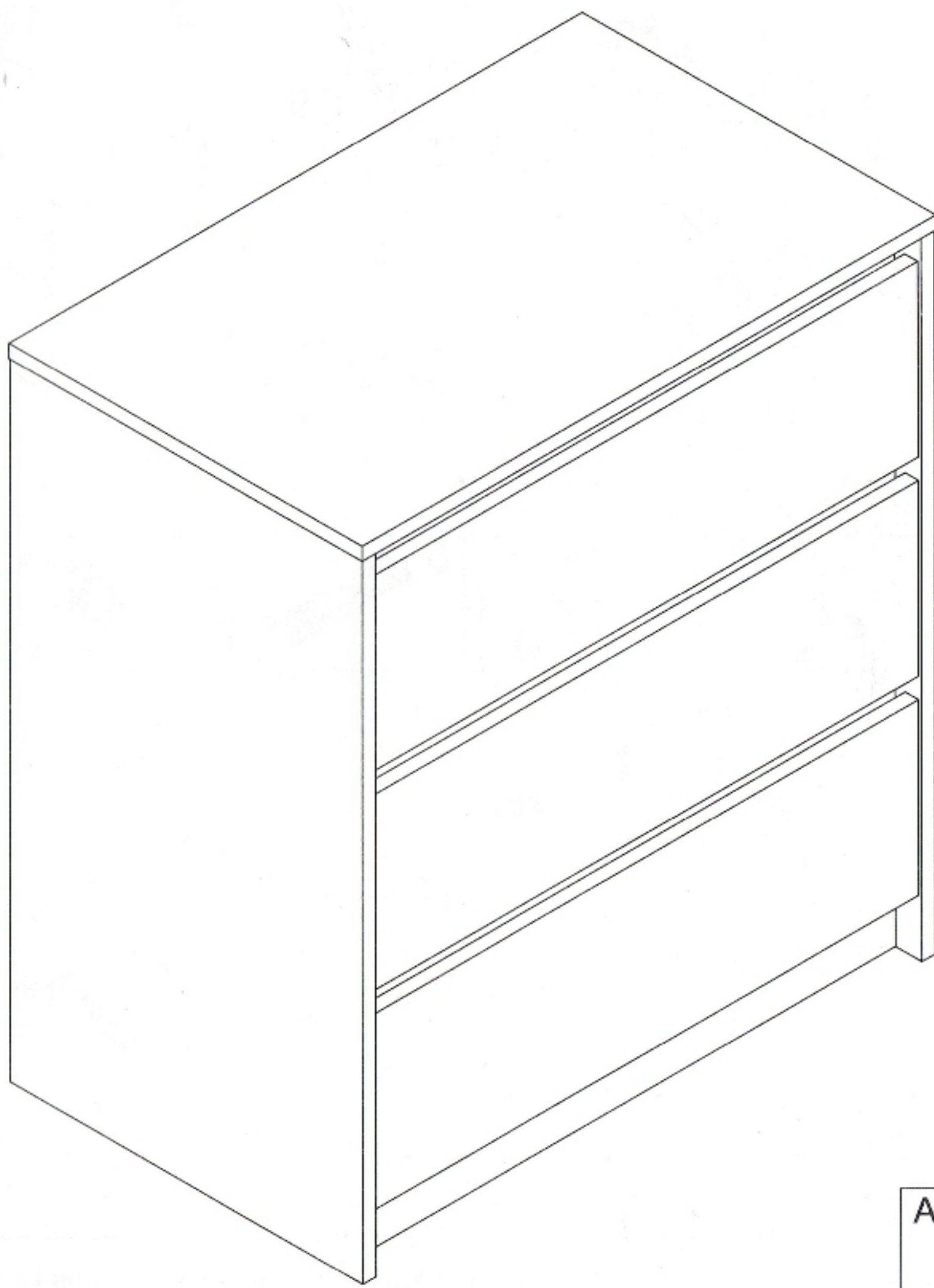
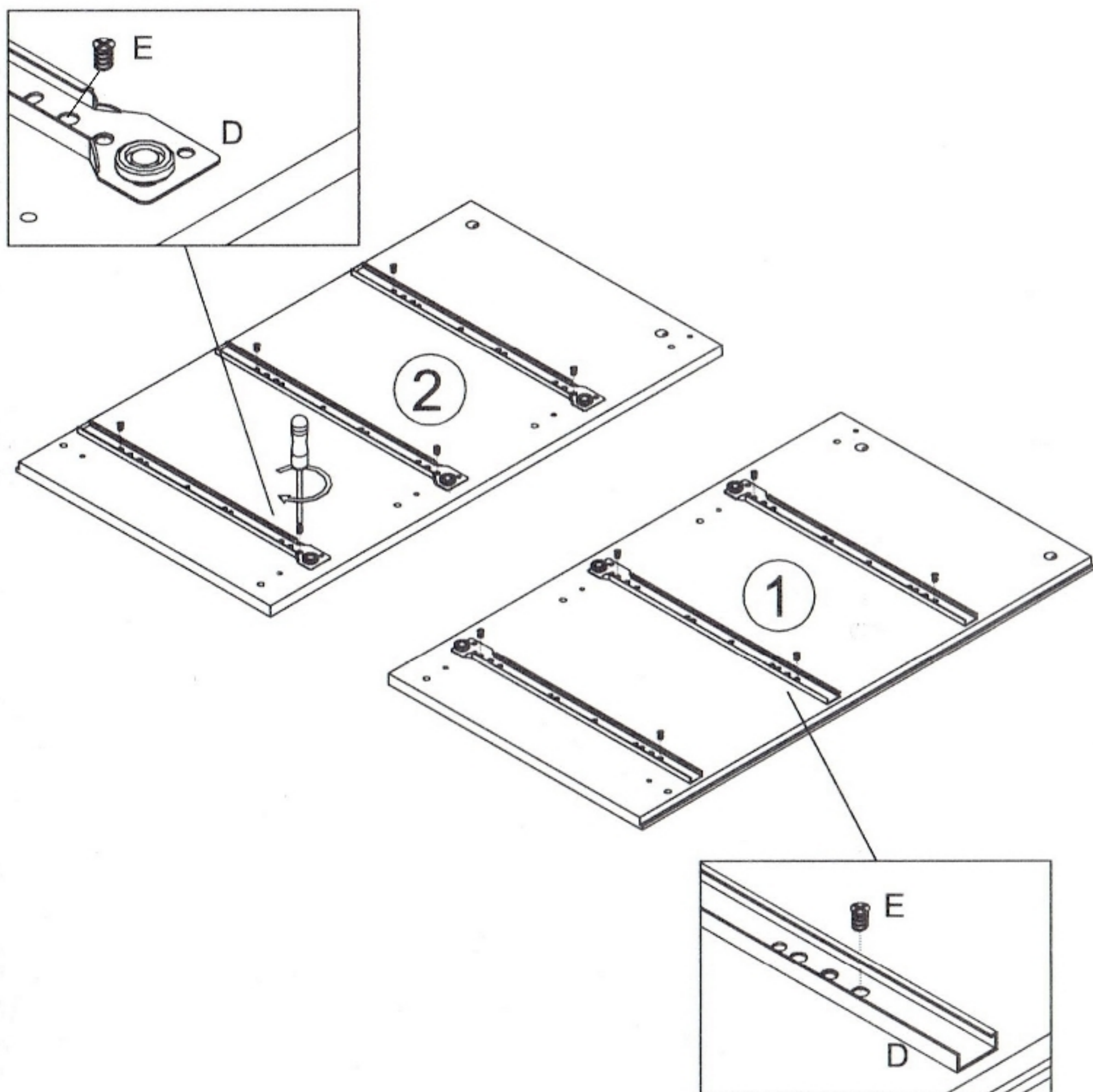
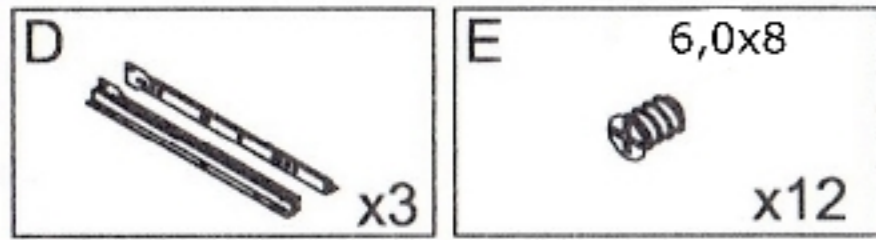


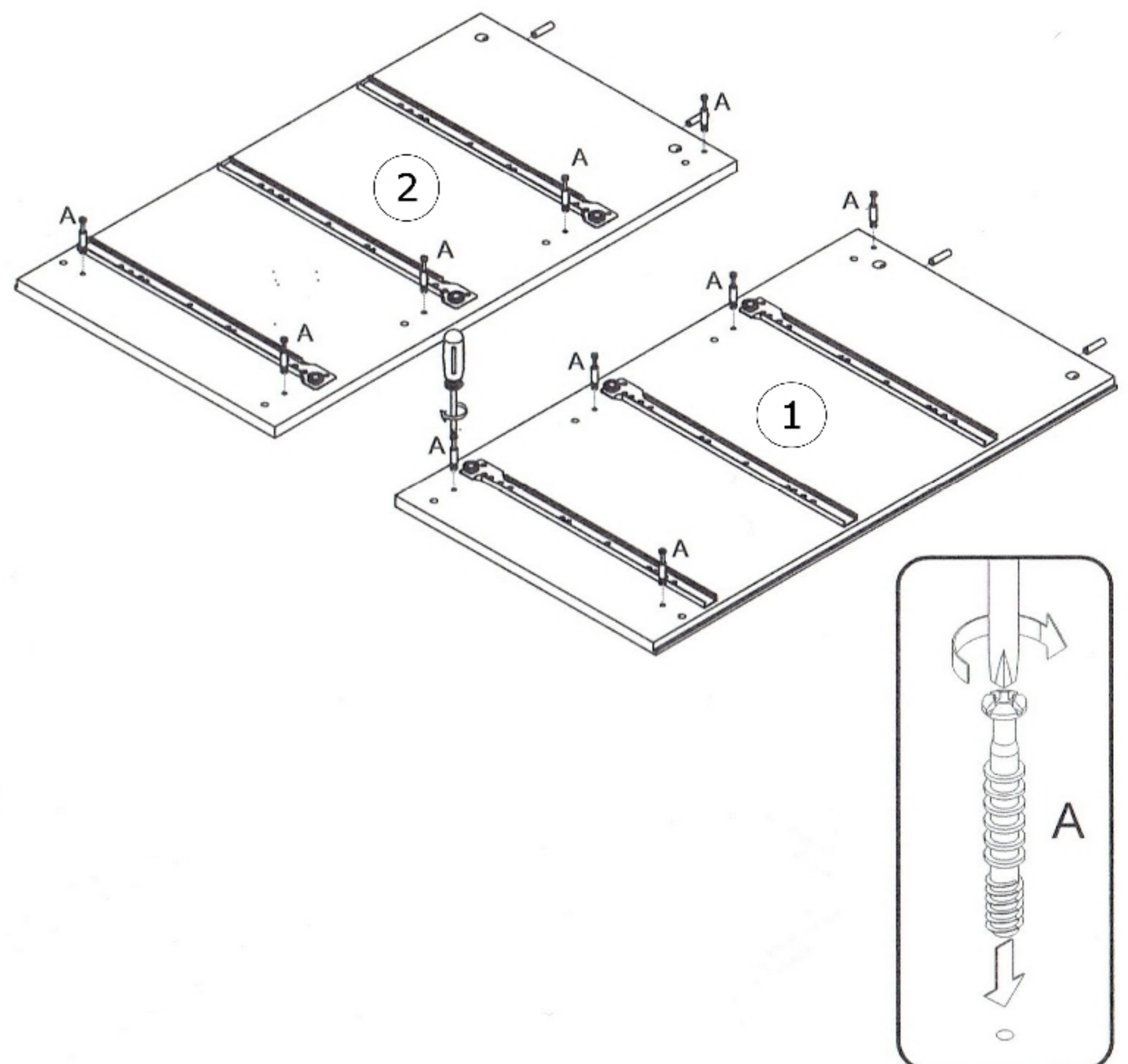
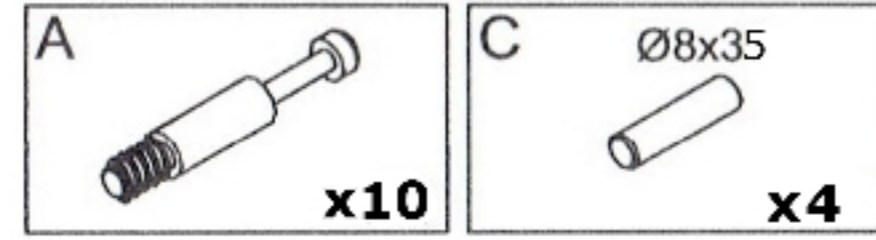
K3 V2



1

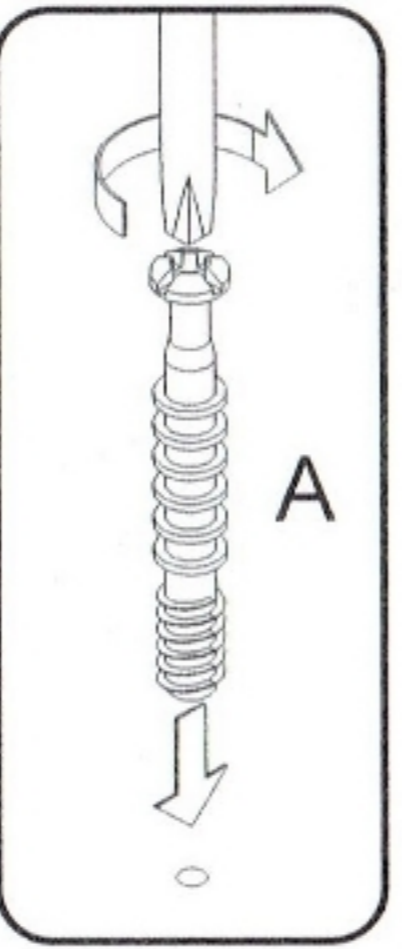
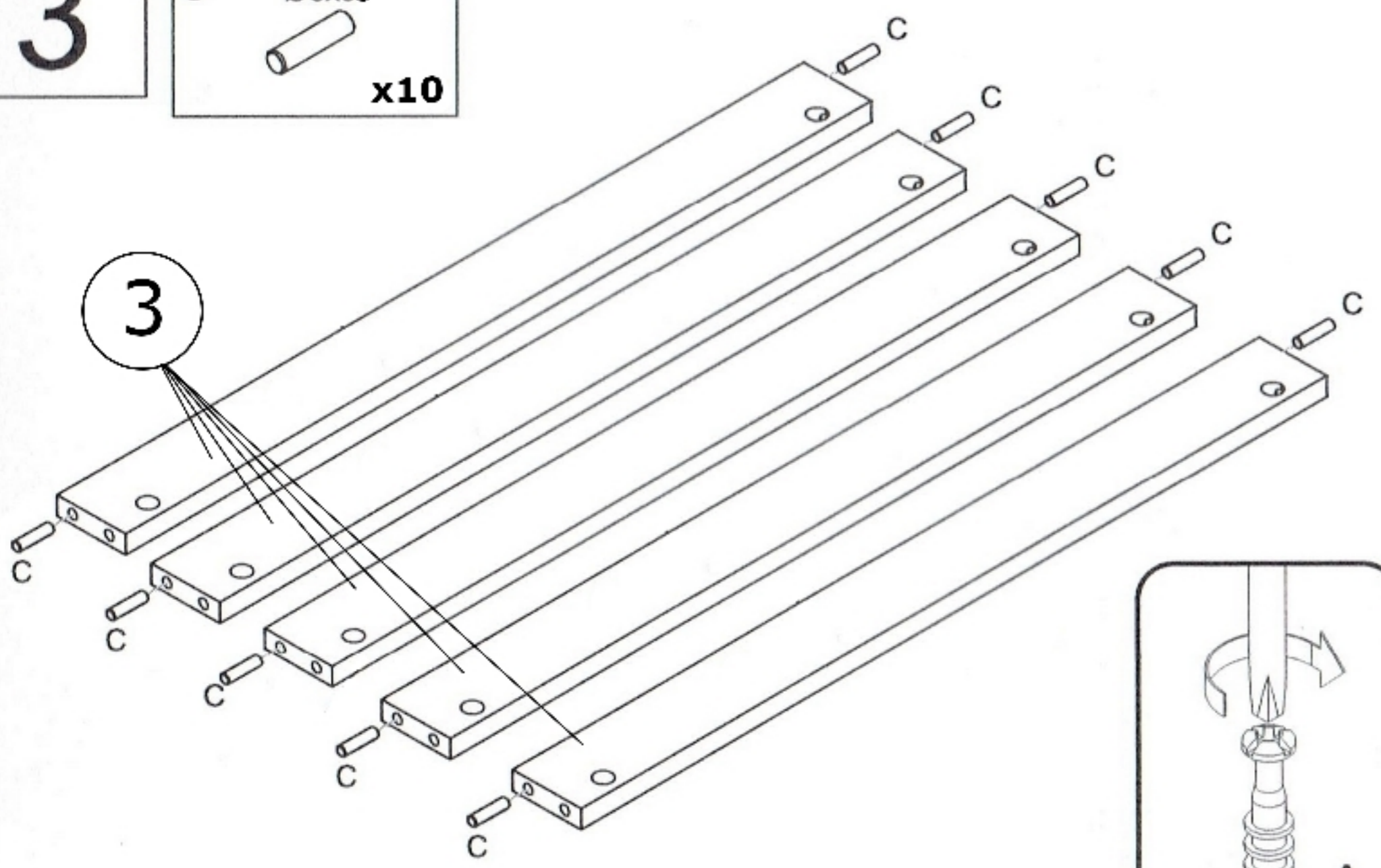


2

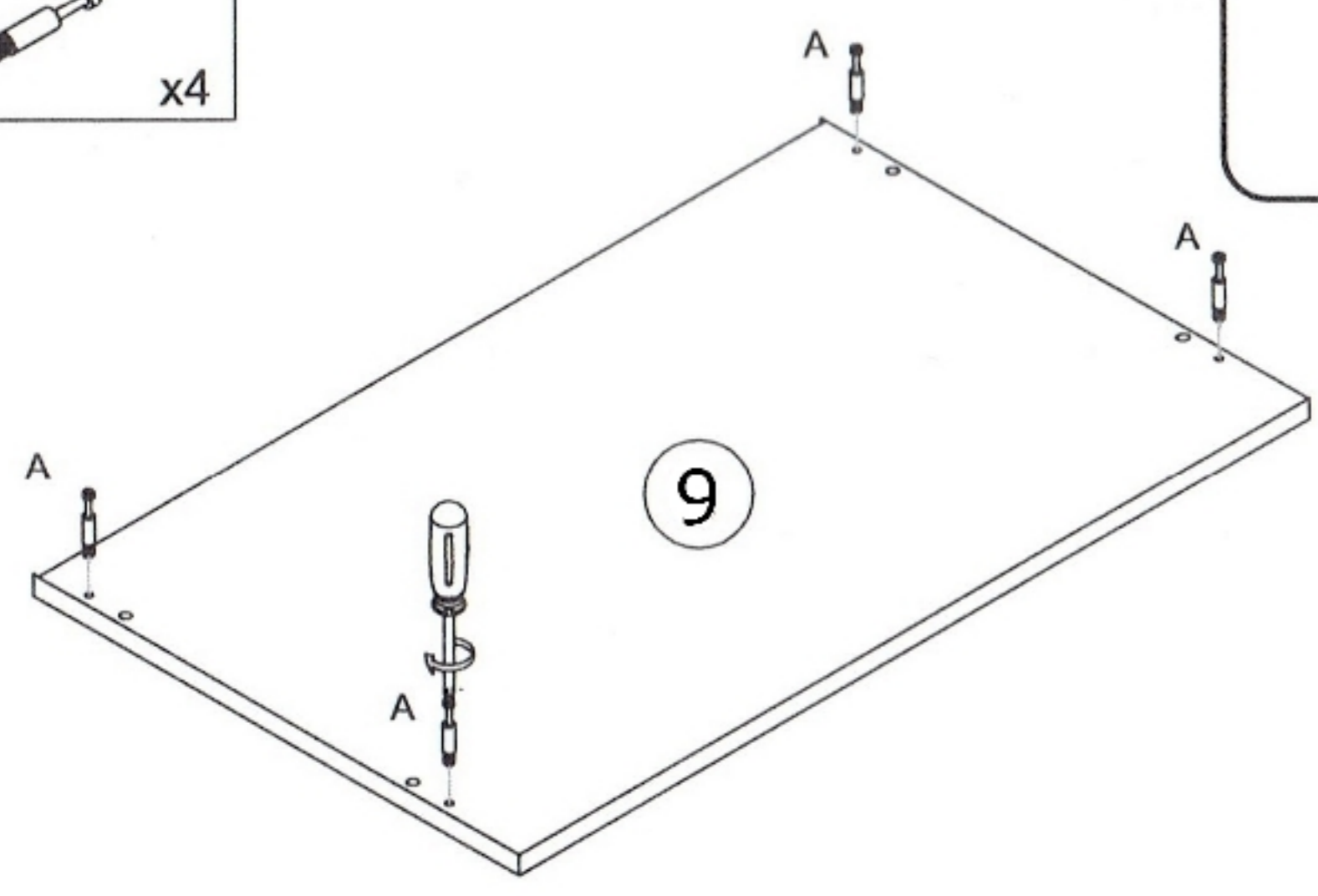


3

C $\varnothing 8 \times 35$
x10

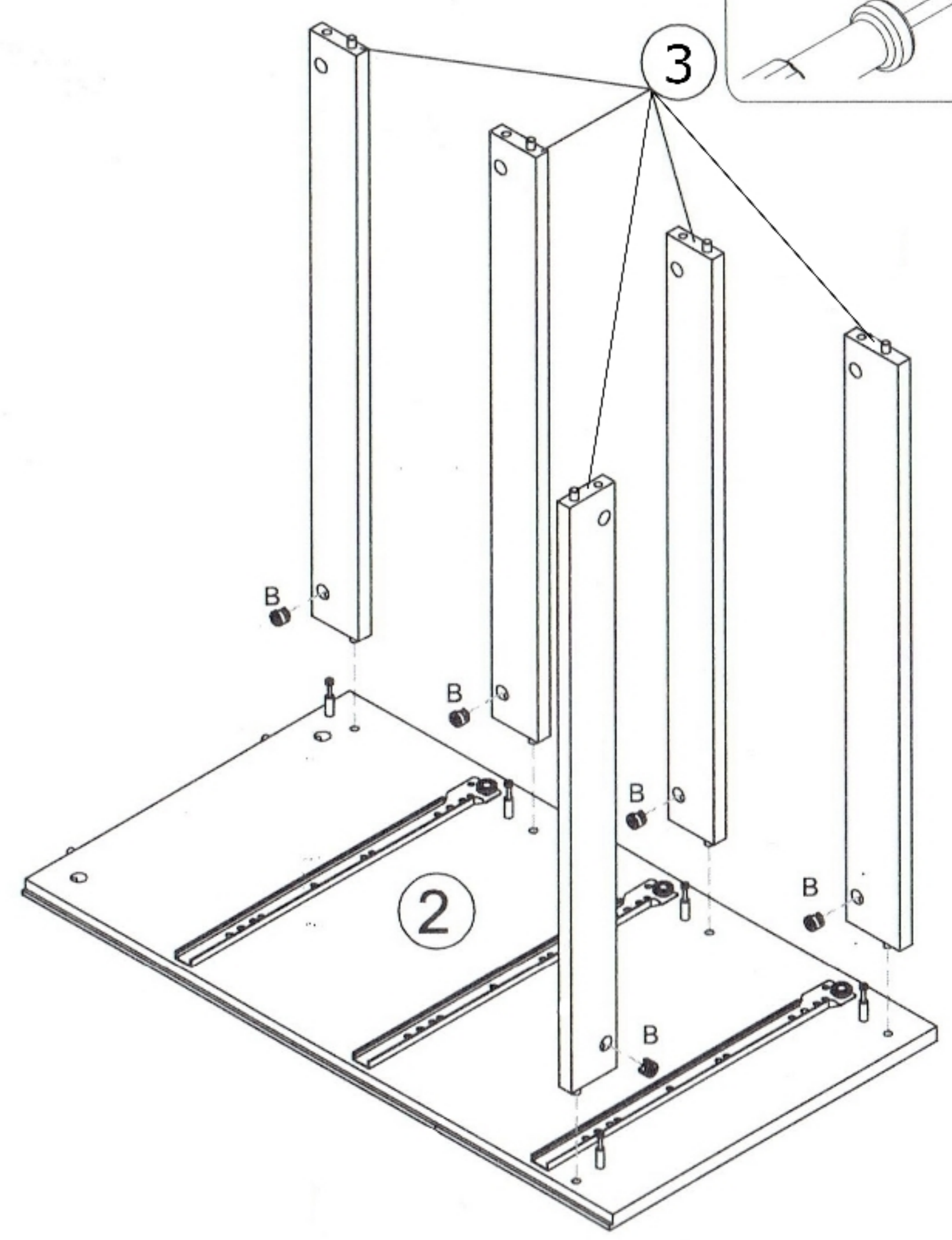
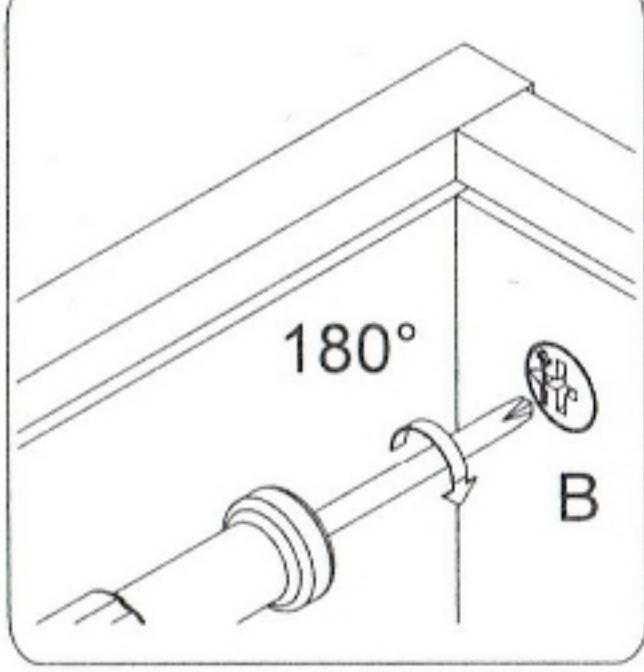


A
x4



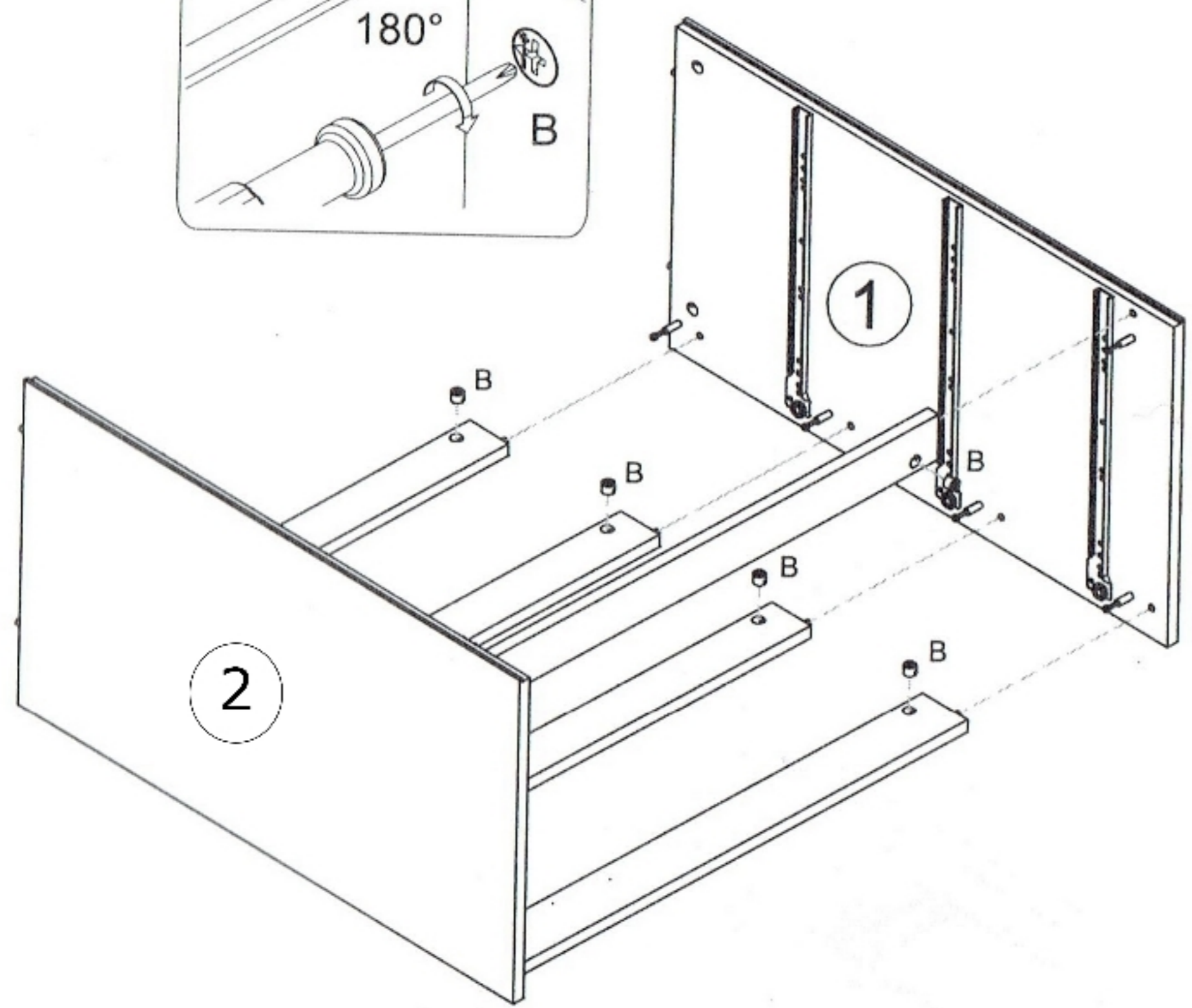
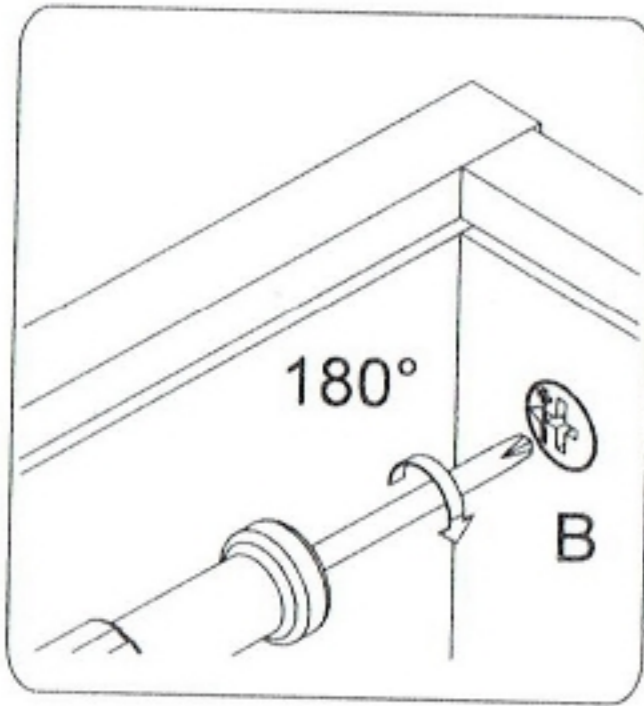
4

B
x5



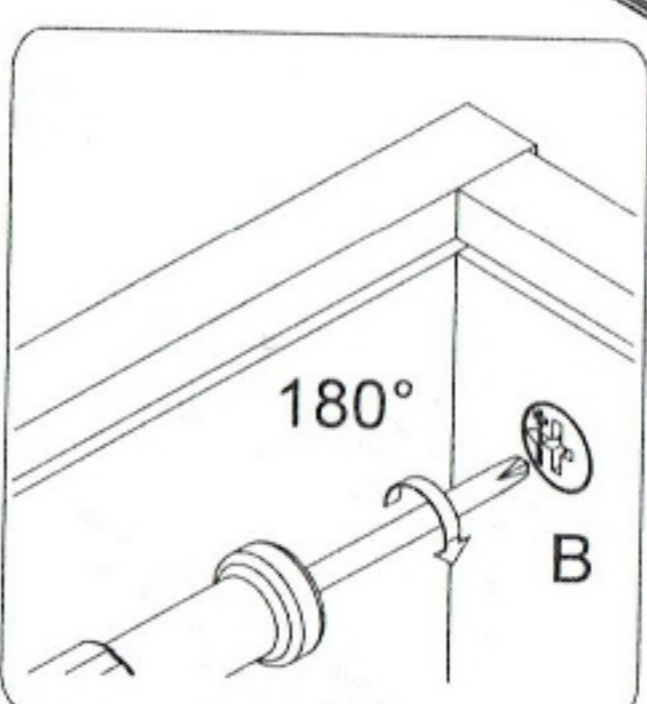
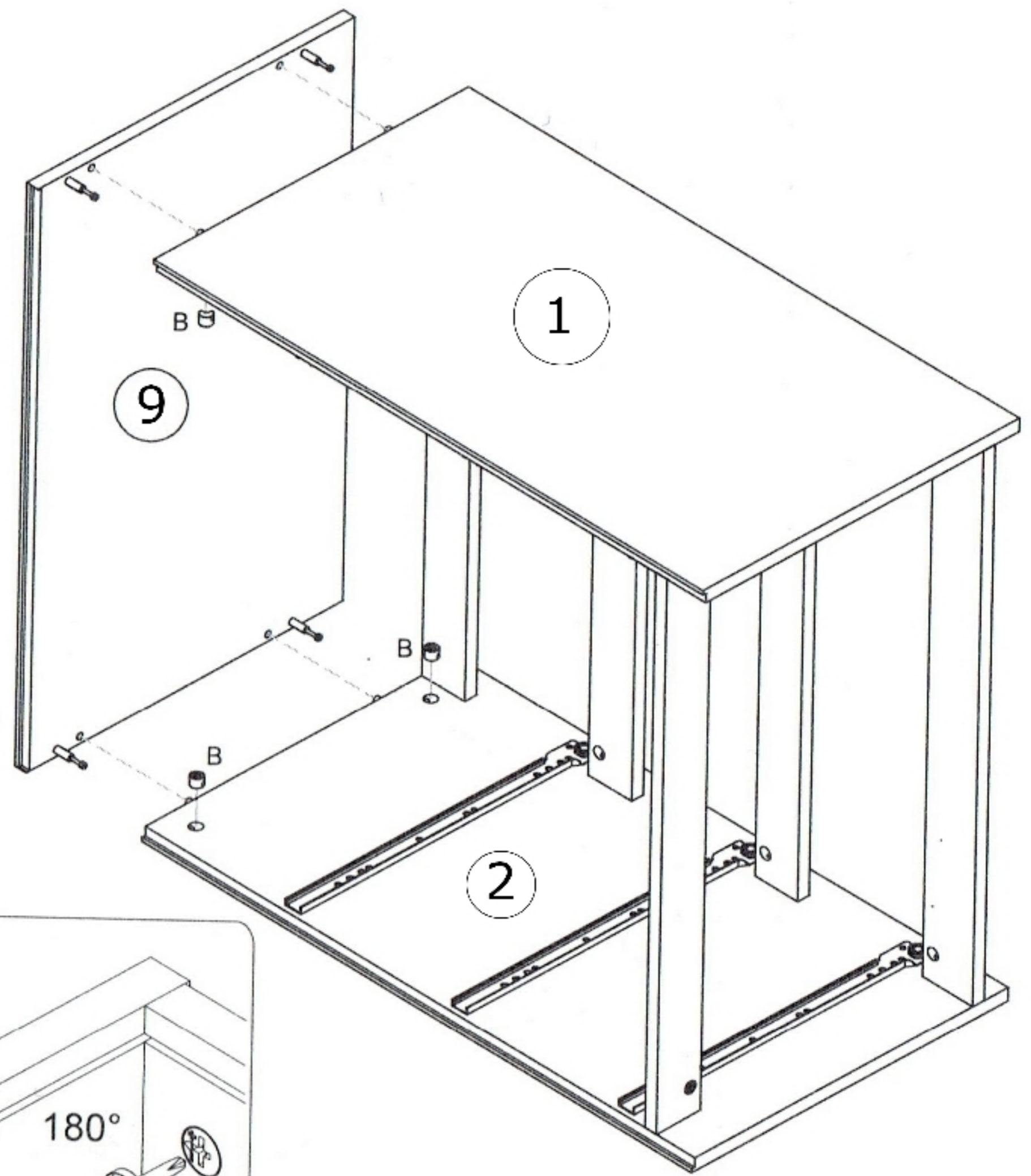
5

B
x5

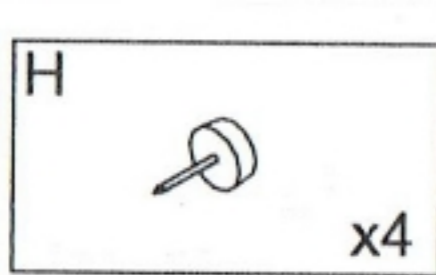
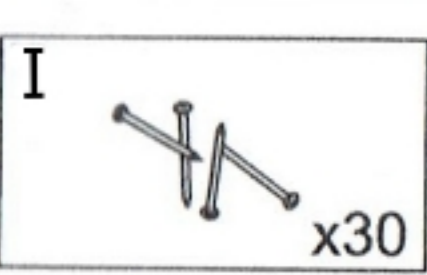


6

B
x4

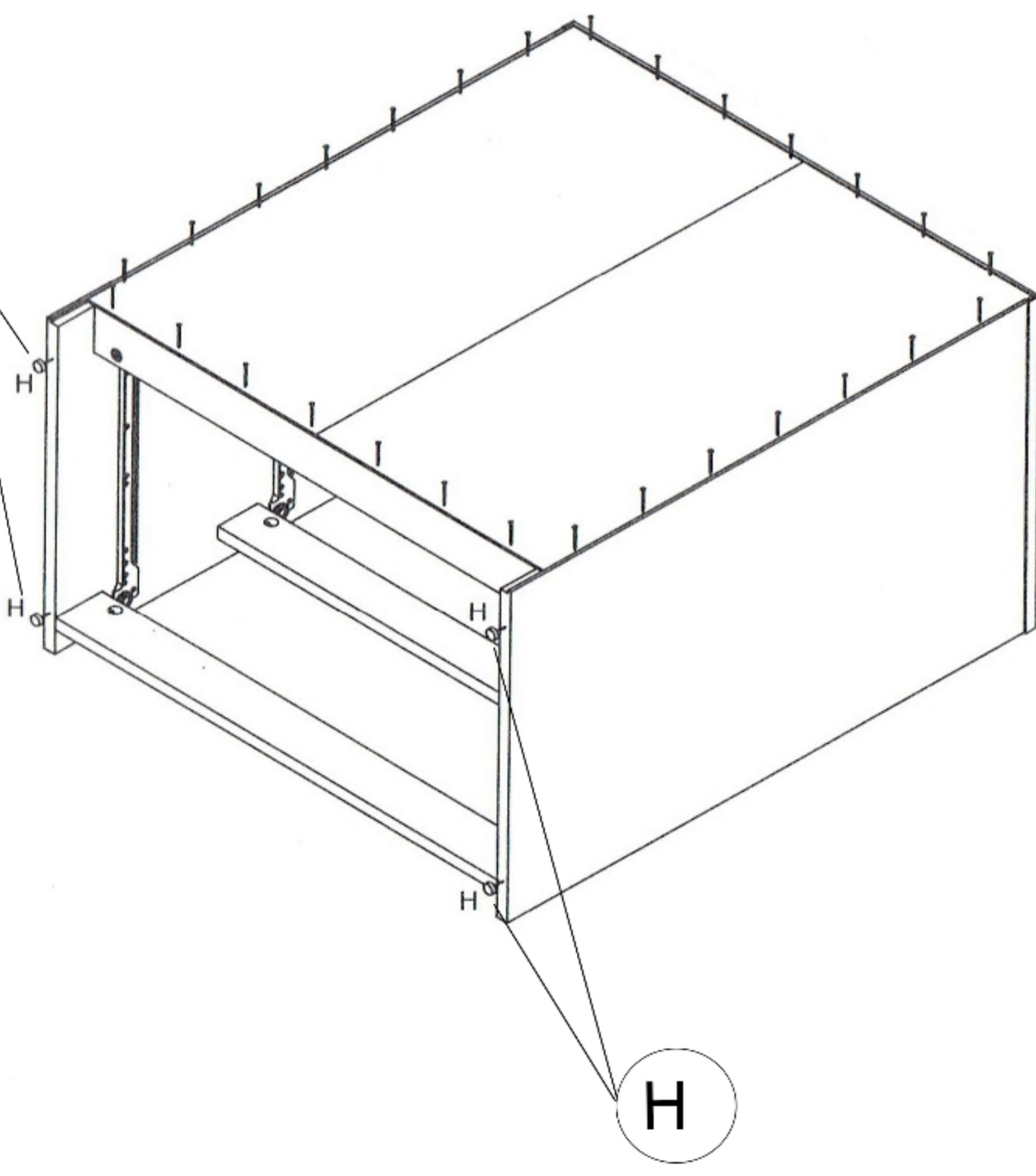


7

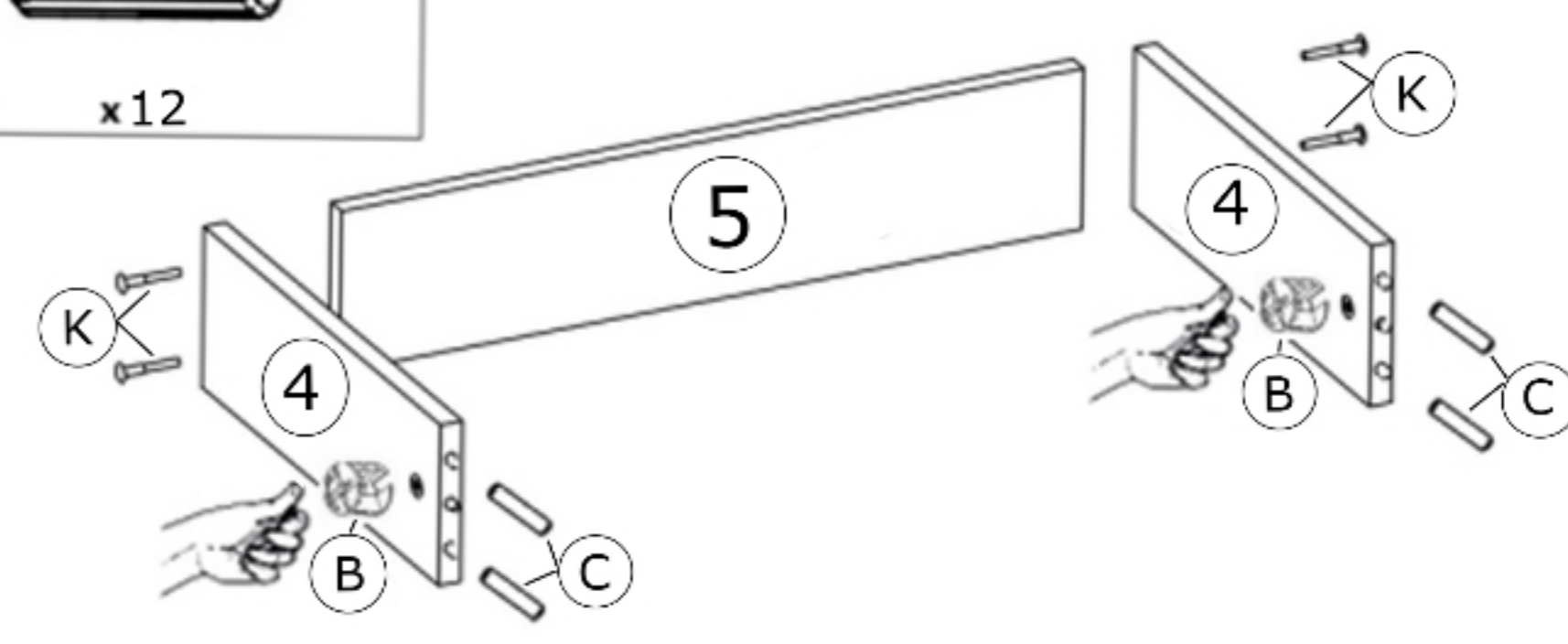
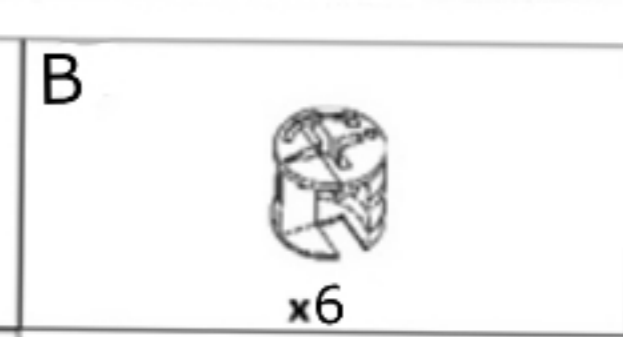
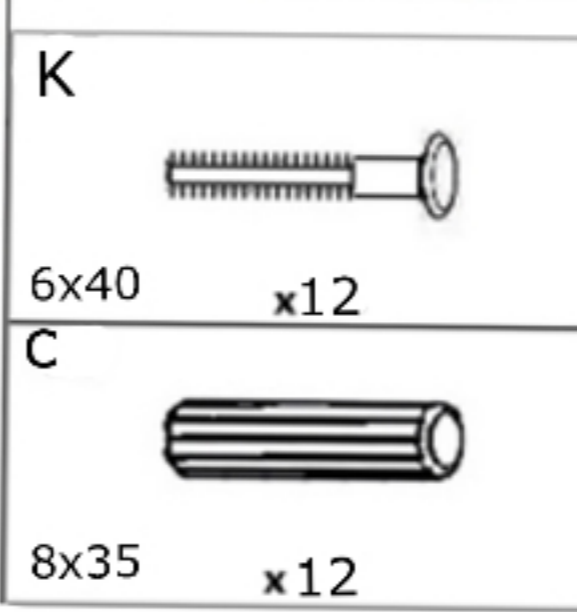


8

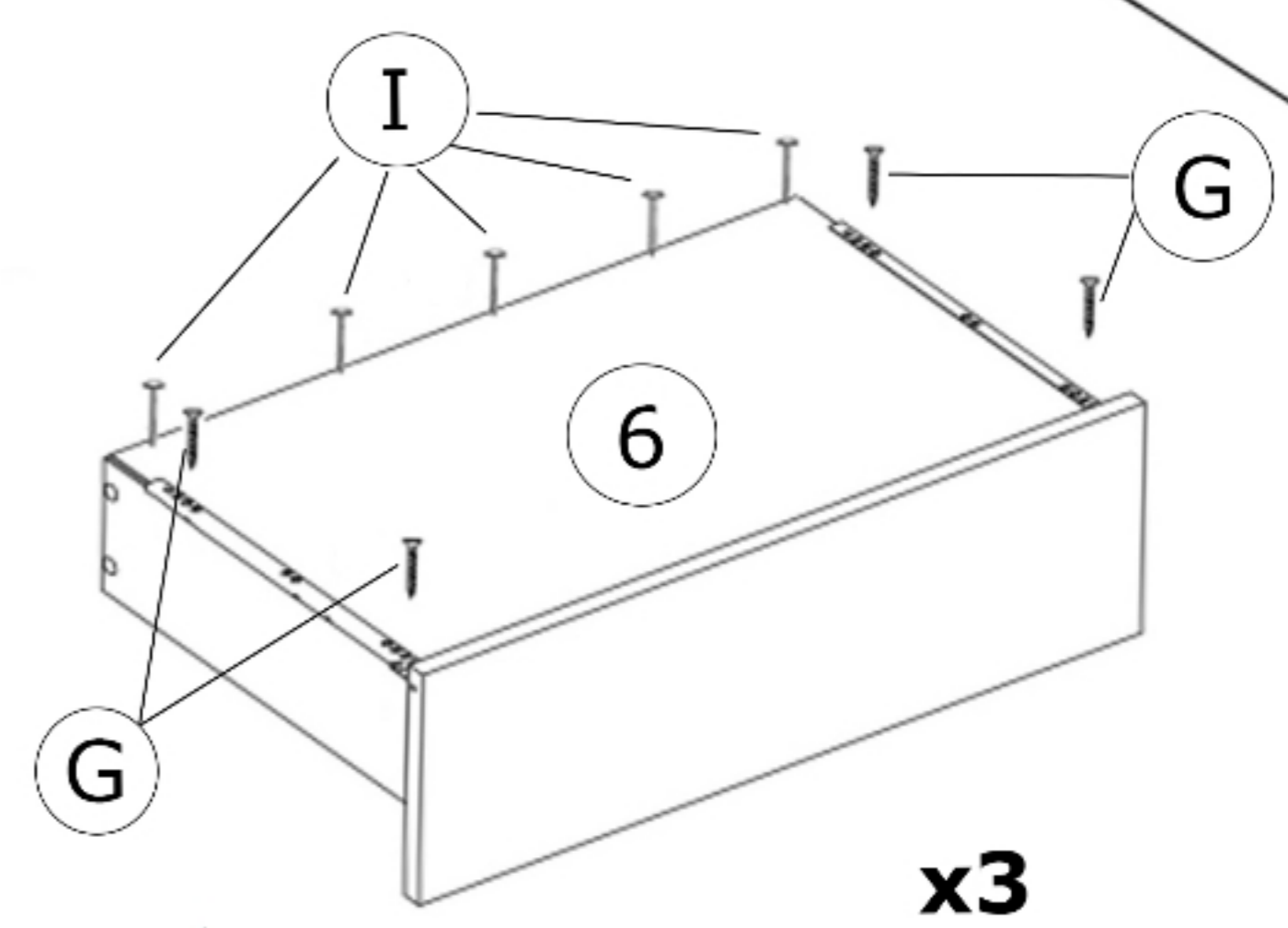
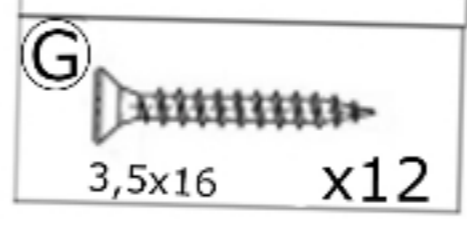
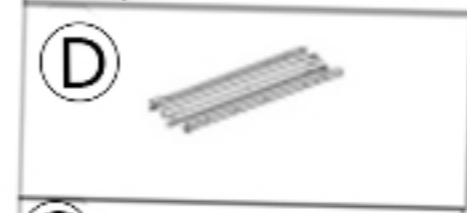
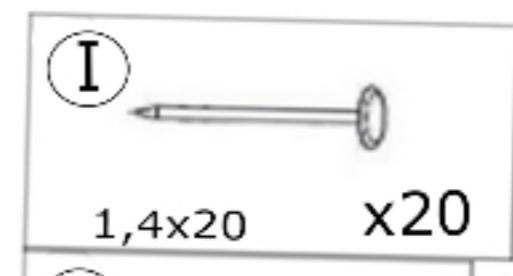
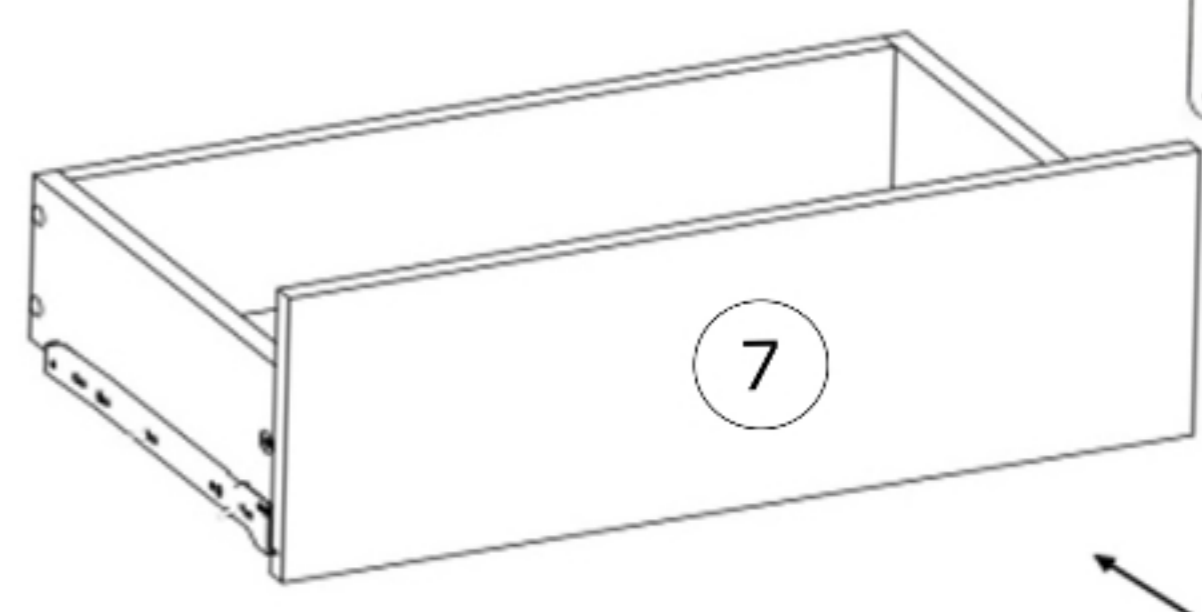
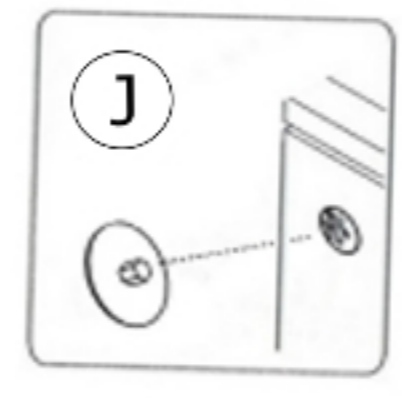
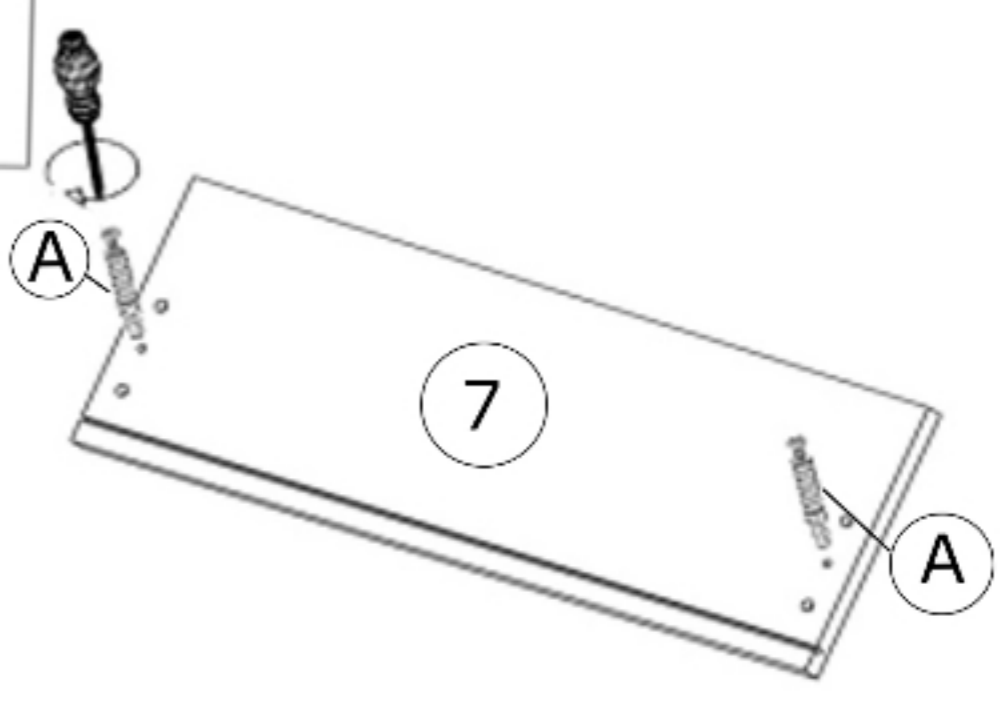
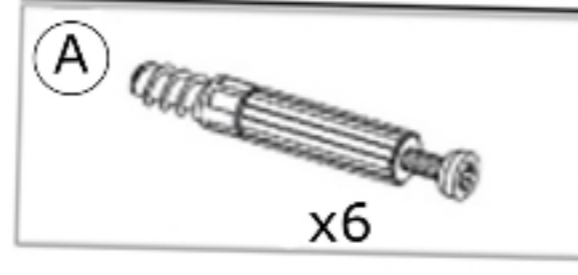
H



8



x3



x3

9

