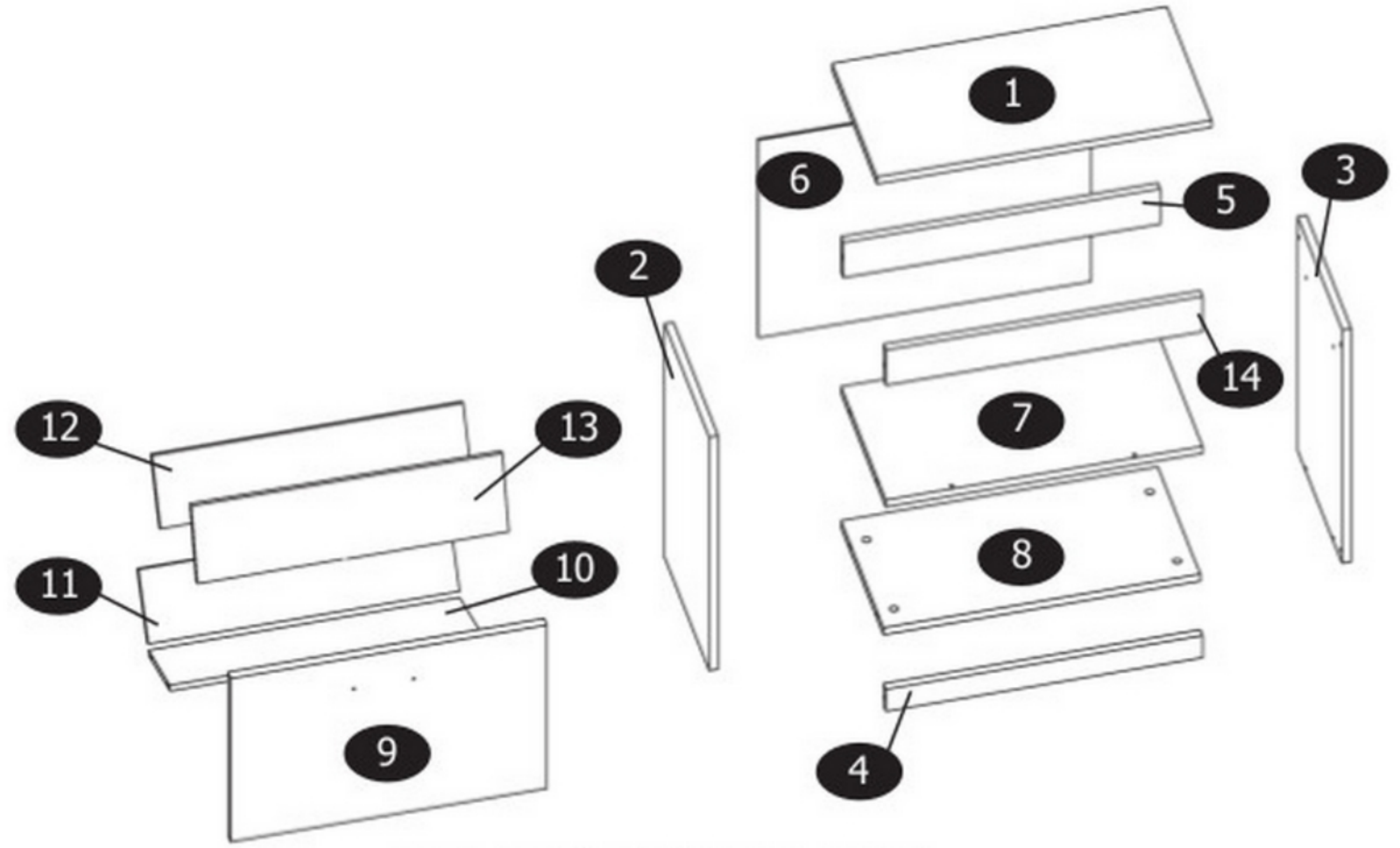
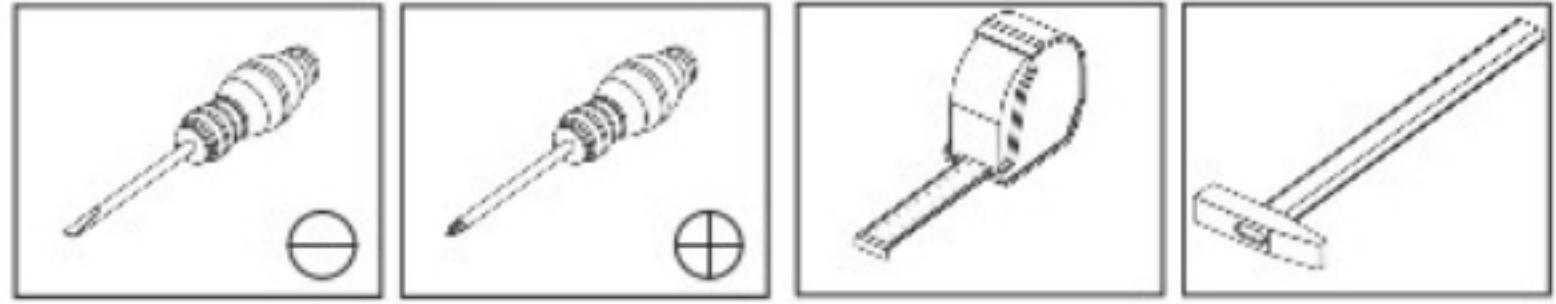









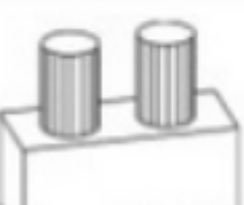






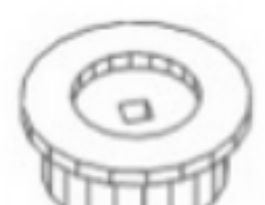



# MILANO

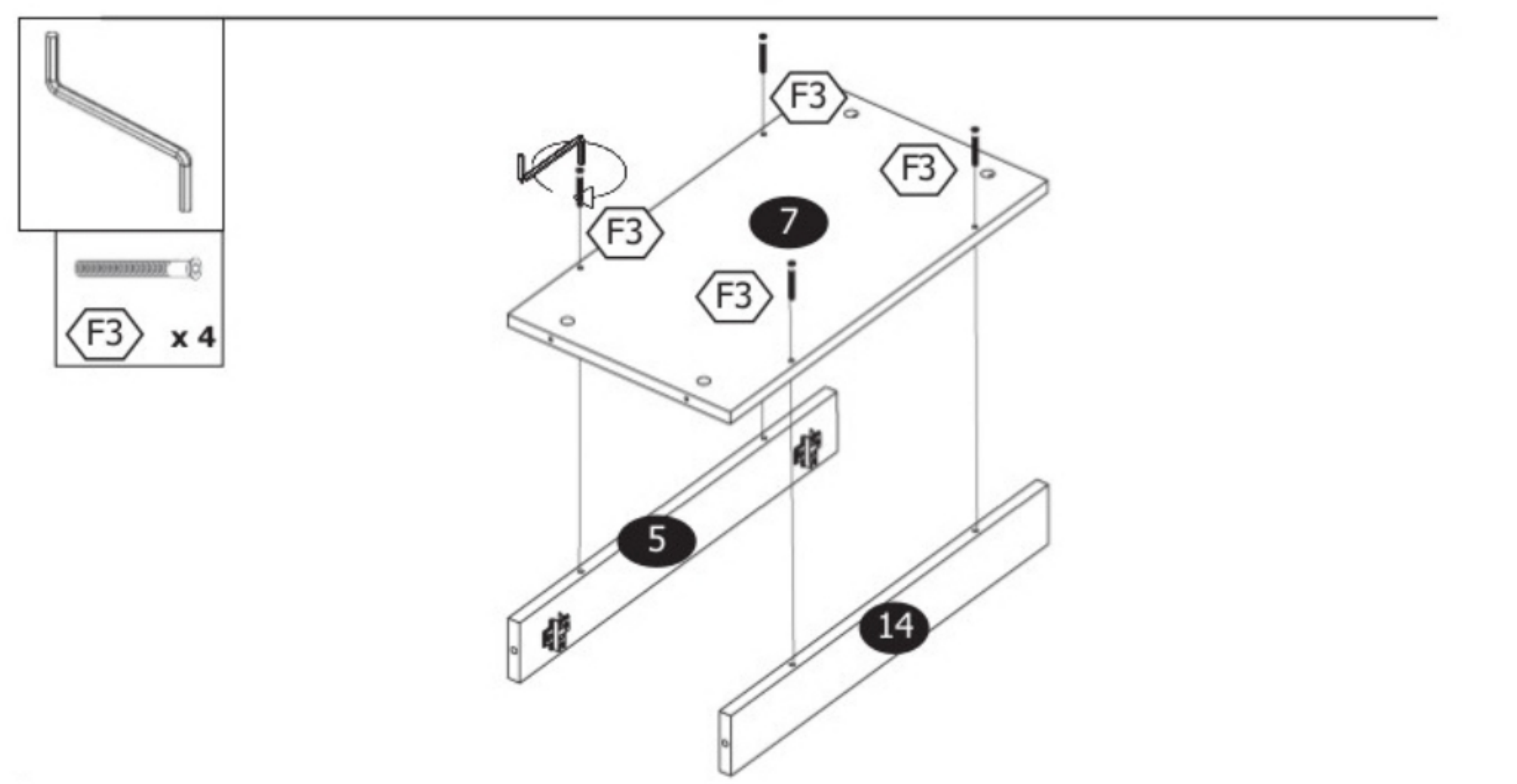
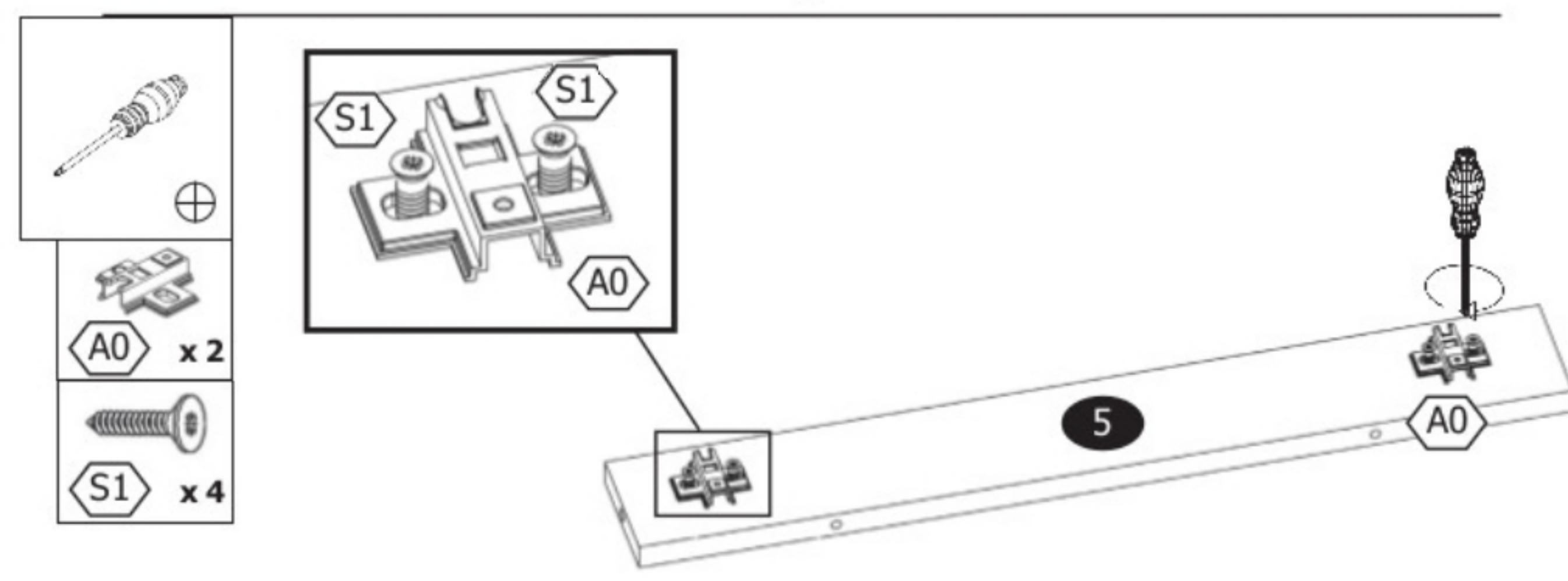
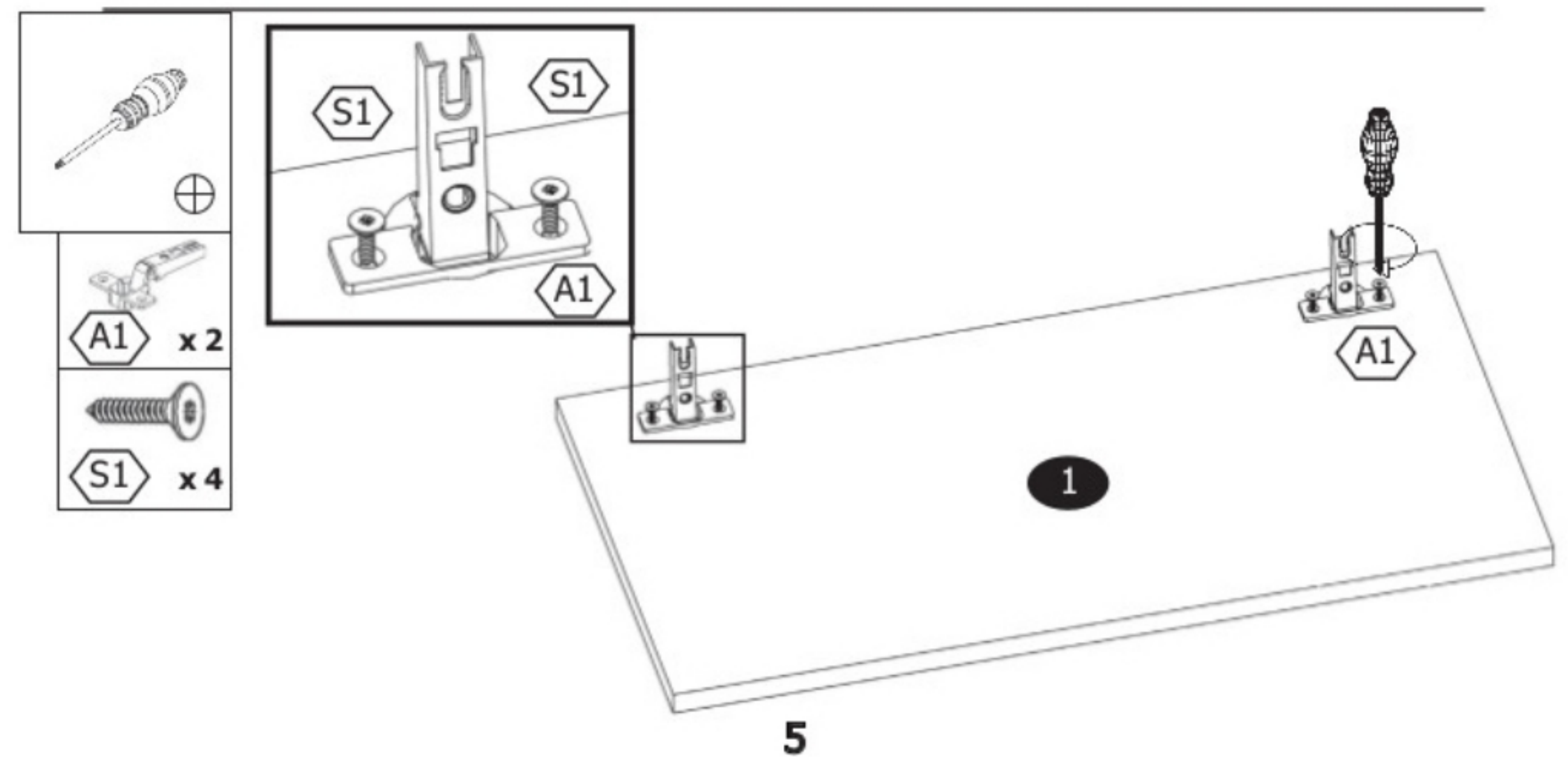
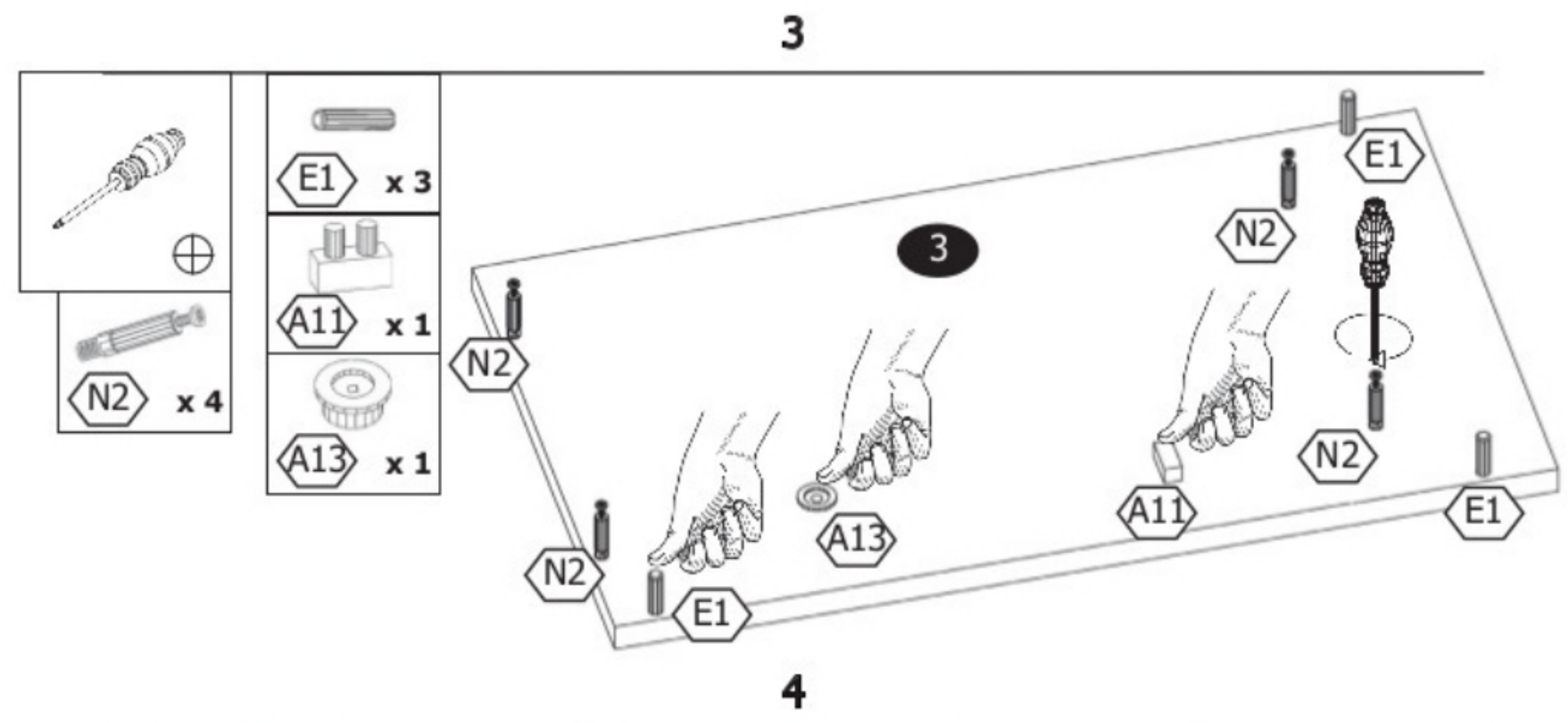
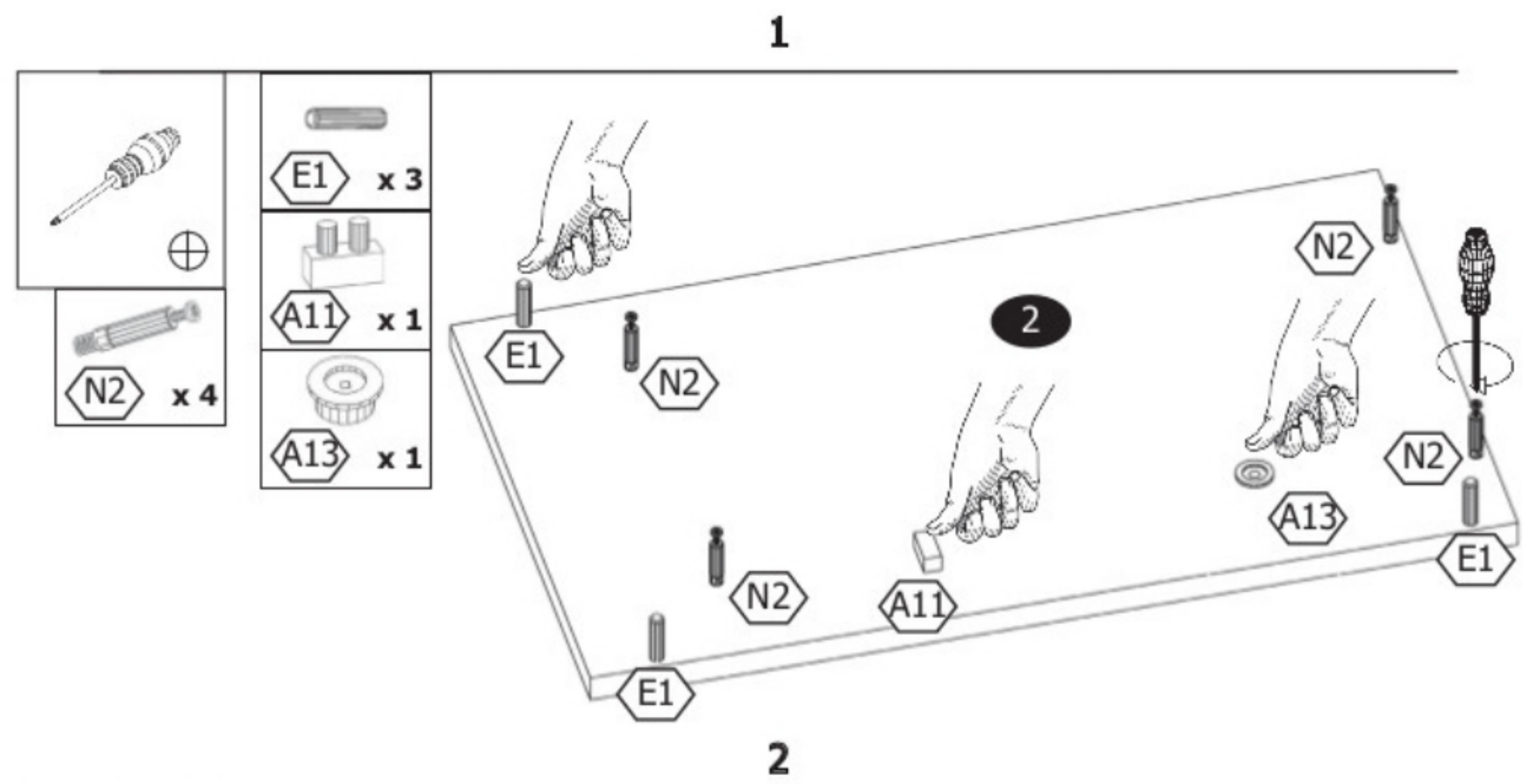
18.10.2016



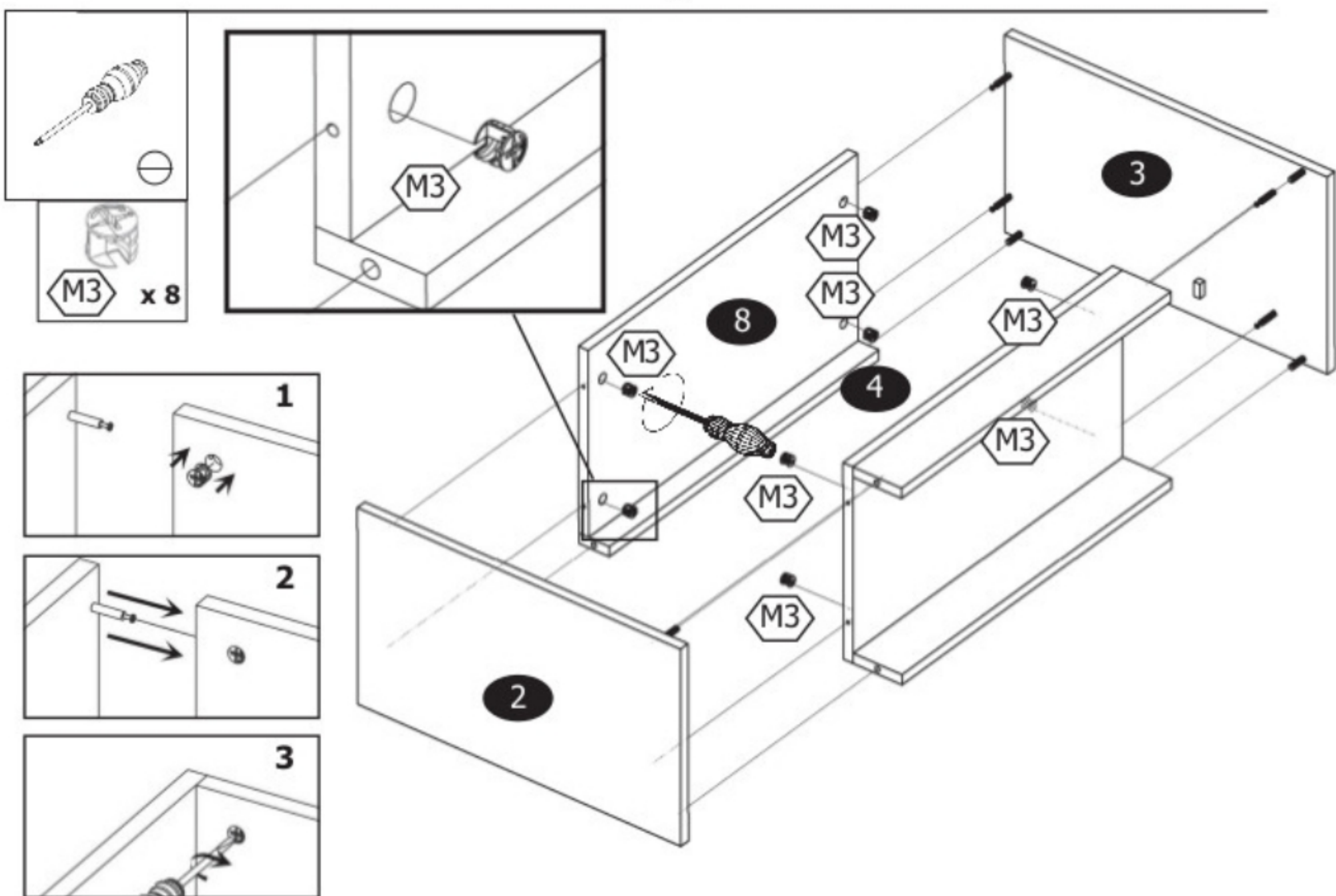
E1  Φ8x35mm X 6	P9  X 2 Φ4x27mm	S1  X 8 Φ3,5x16mm
K2  x 1	T1  x 4	U1  x 2
A1  x 2	S15  X 8 Φ6,3x13mm	A0  x 2
A11  x 2	Z2  x 10	S2  x 8 Φ2,5x20mm
N2  x 8	F3  x 4	A13  x 2
M3  x 8	A12  x 2	A10  x 1

1 X 1  
2 X 1  
3 X 1  
4 X 1  
5 X 1  
6 X 1  
7 X 1

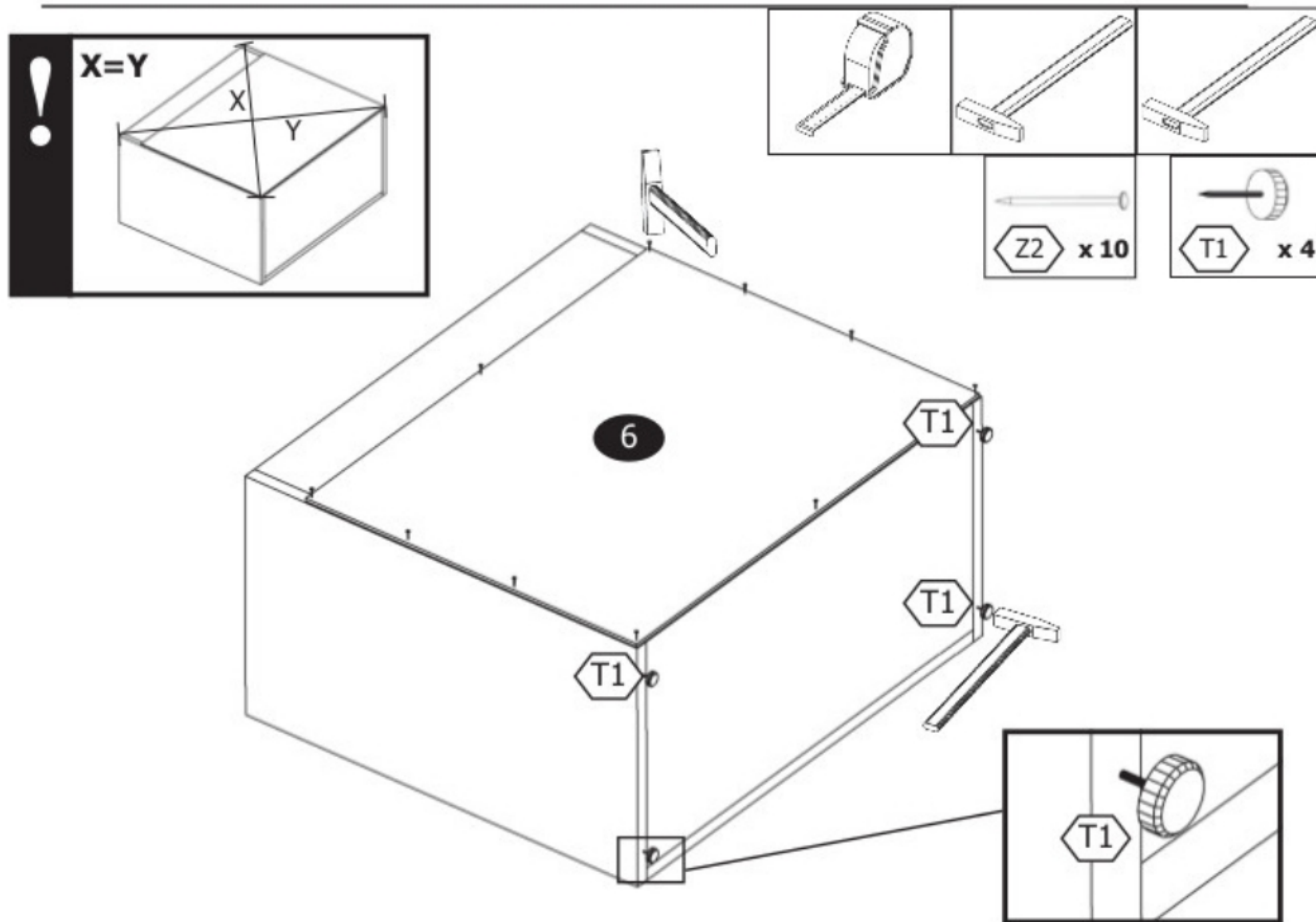
8 X 1  
9 X 1  
10 X 1  
11 X 1  
12 X 1  
13 X 1  
14 X 1



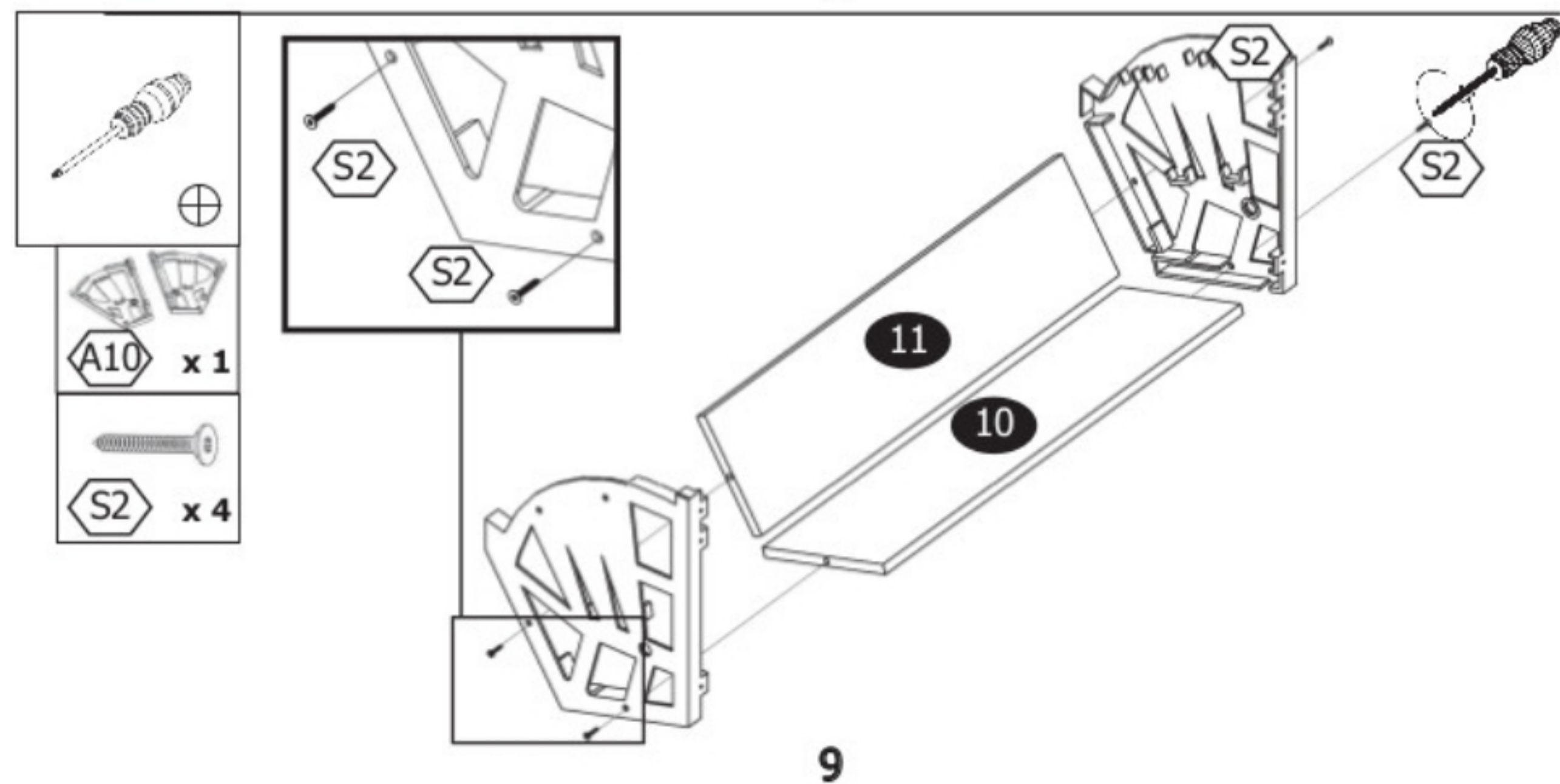
6



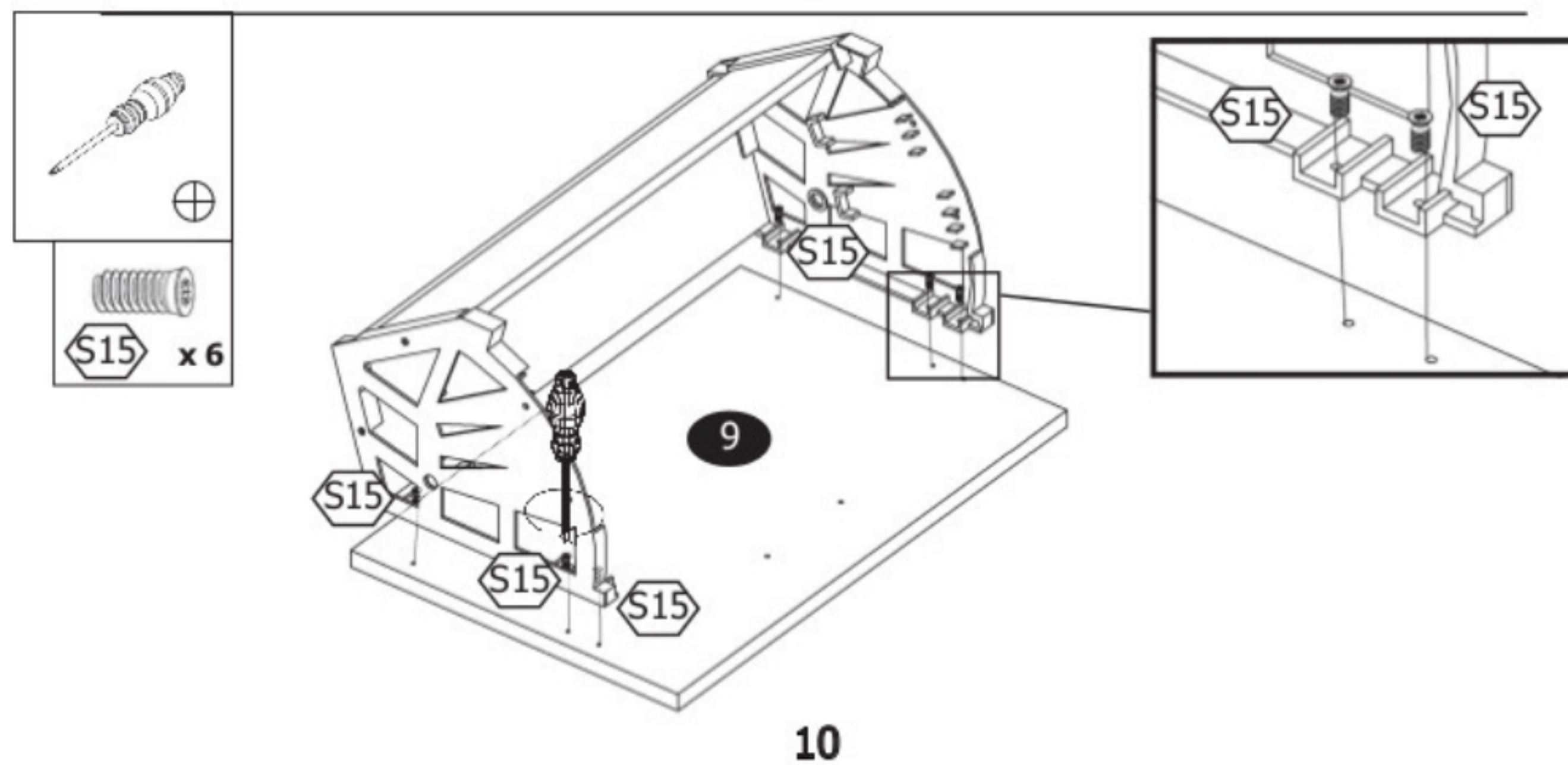
7



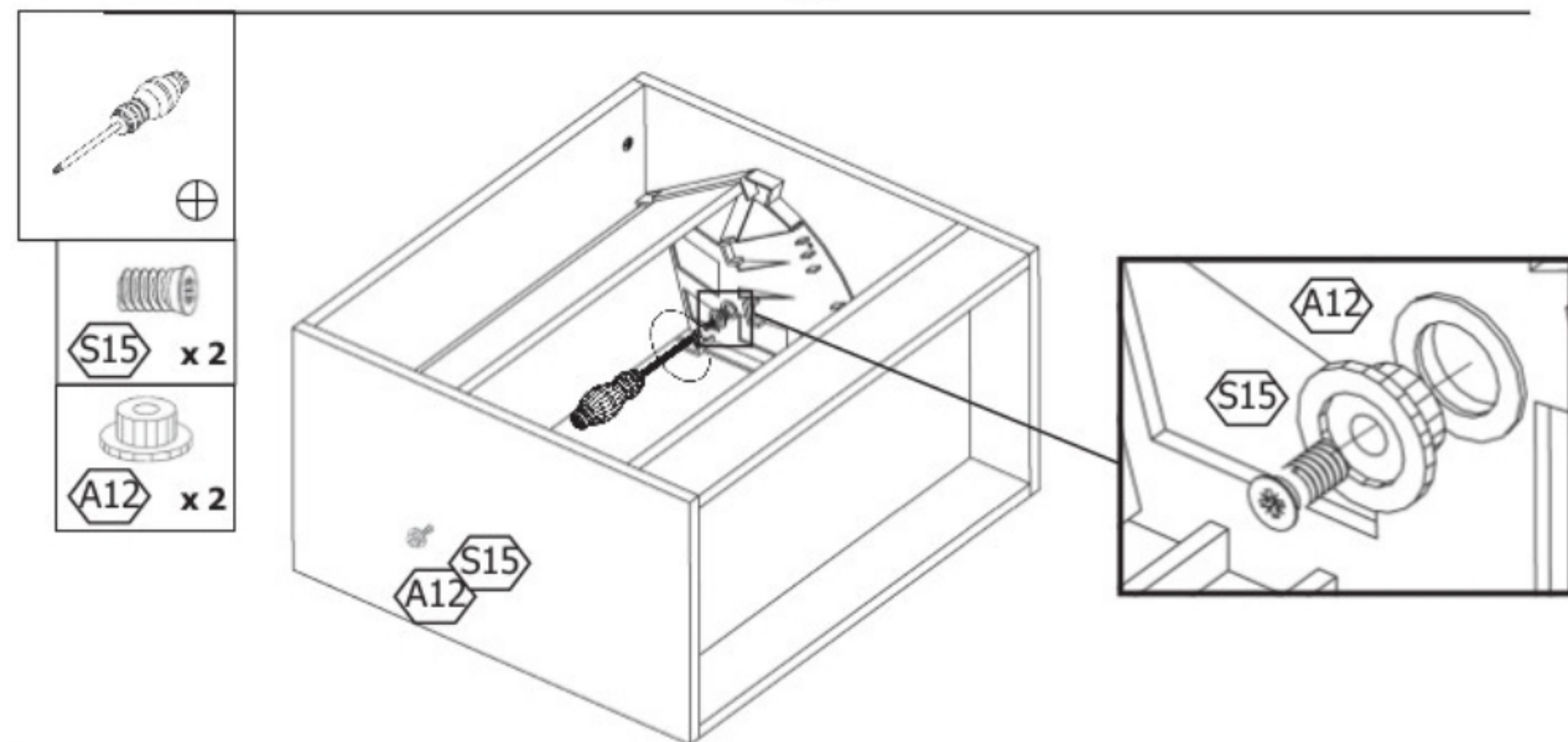
8



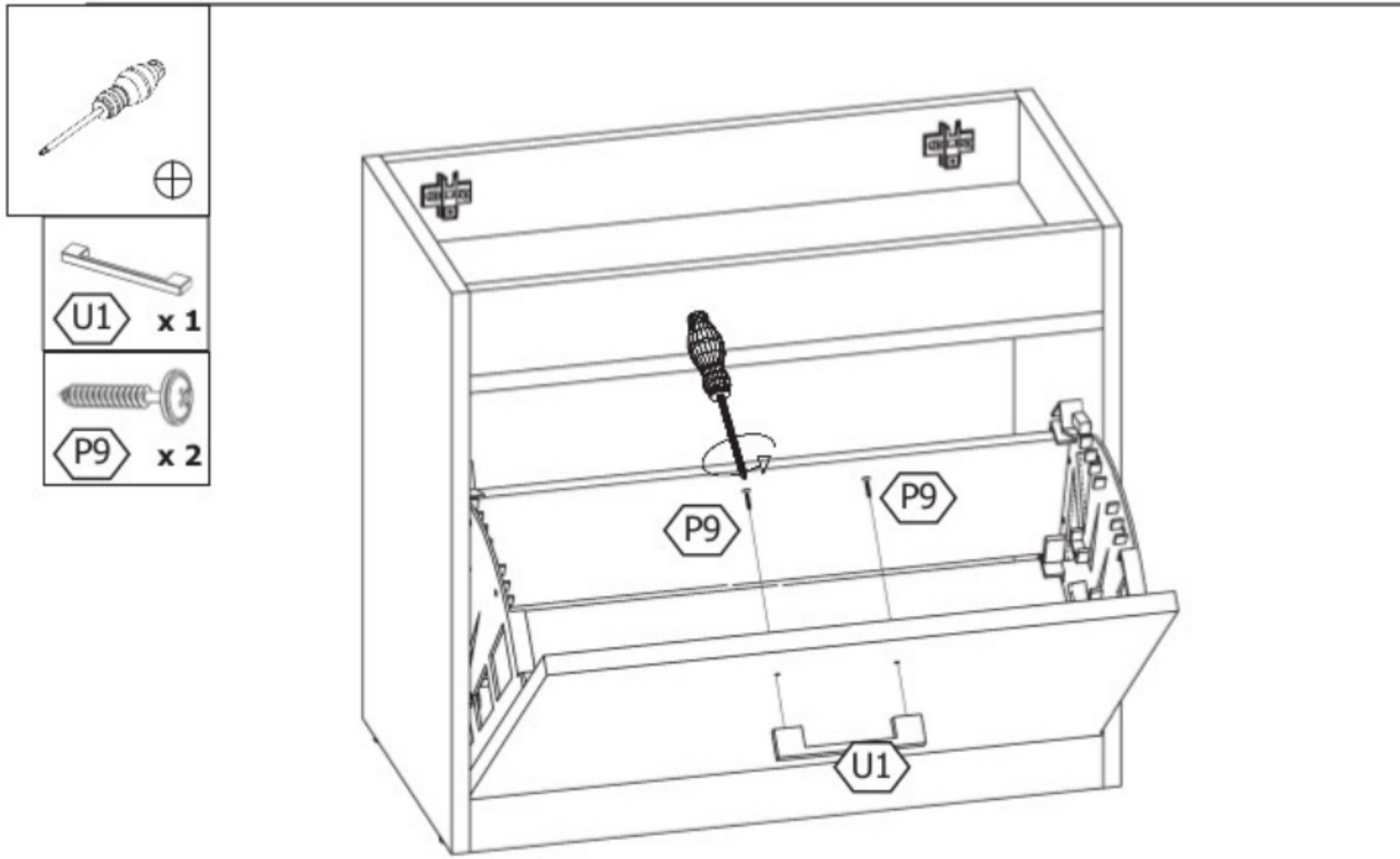
9



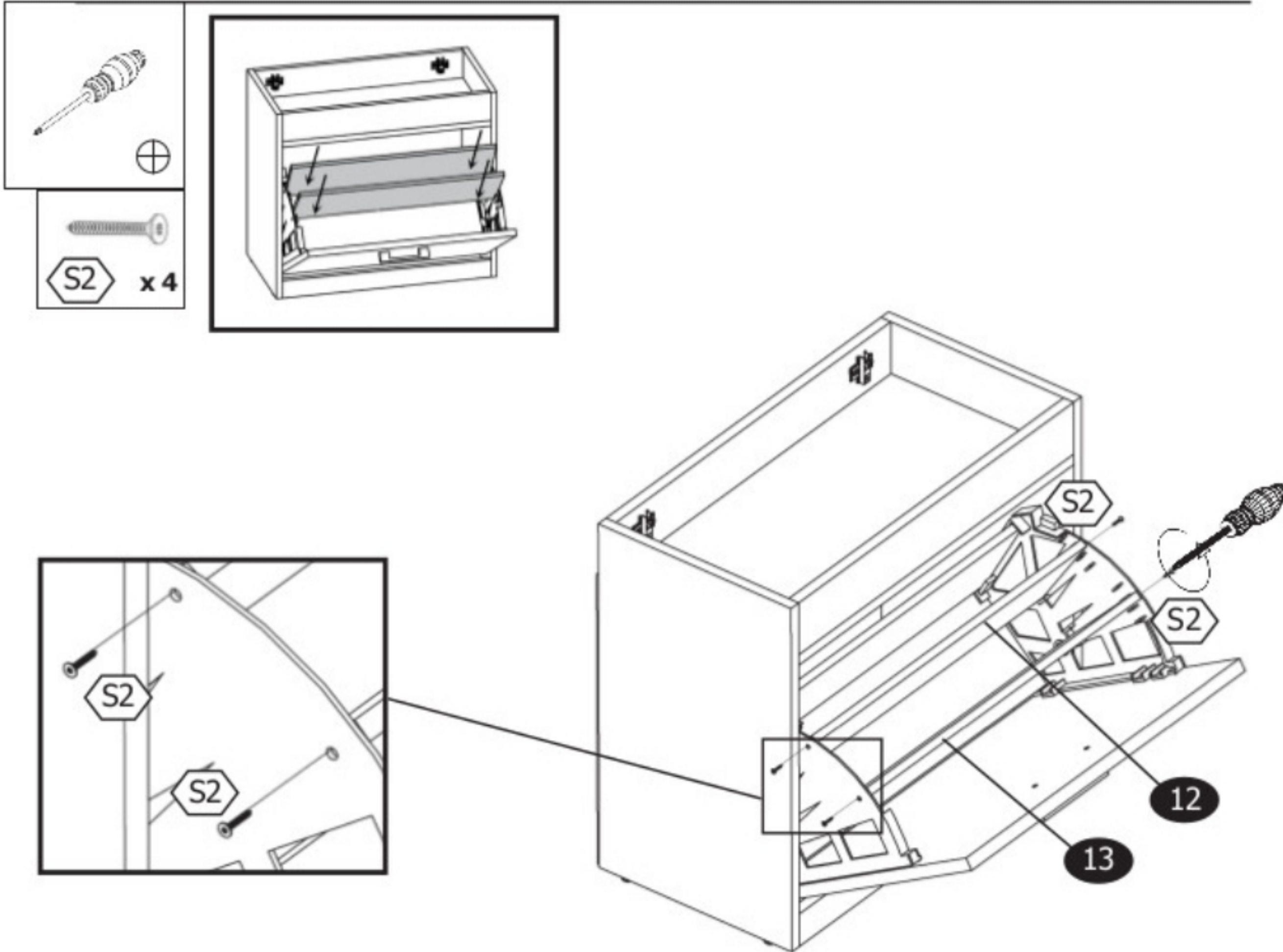
10



11



12



13

