

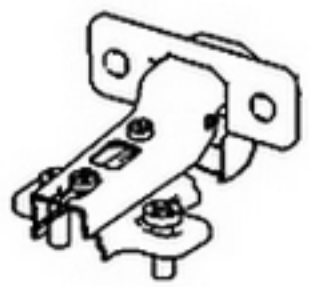




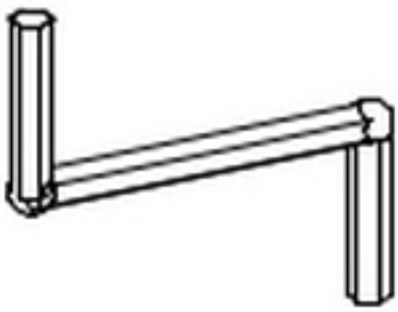

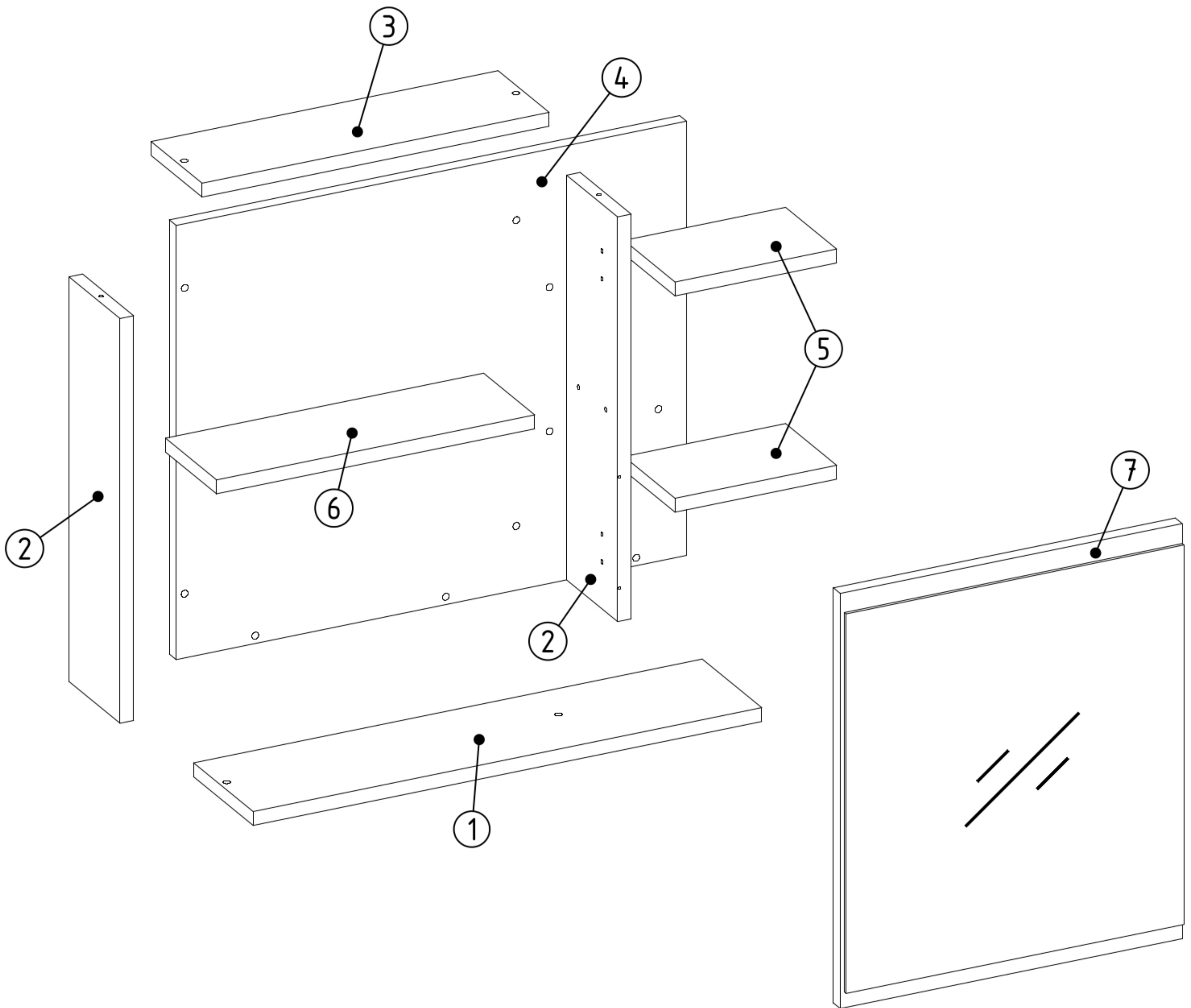




<p><b>D12</b></p>  <p>x 2</p>	<p><b>U4</b></p>  <p>x 1</p>	<p><b>A0</b></p>  <p>x 2</p>	<p><b>S1</b></p>  <p>3,5x16 x 6</p>	
<p><b>S15</b></p>  <p>6x8 x 4</p>	<p><b>F2</b></p>  <p>x 15</p>	<p><b>F1</b></p>  <p>x 4</p>	<p><b>K1</b></p>  <p>x 1</p>	<p><b>D2</b></p>  <p>x 4</p>



1

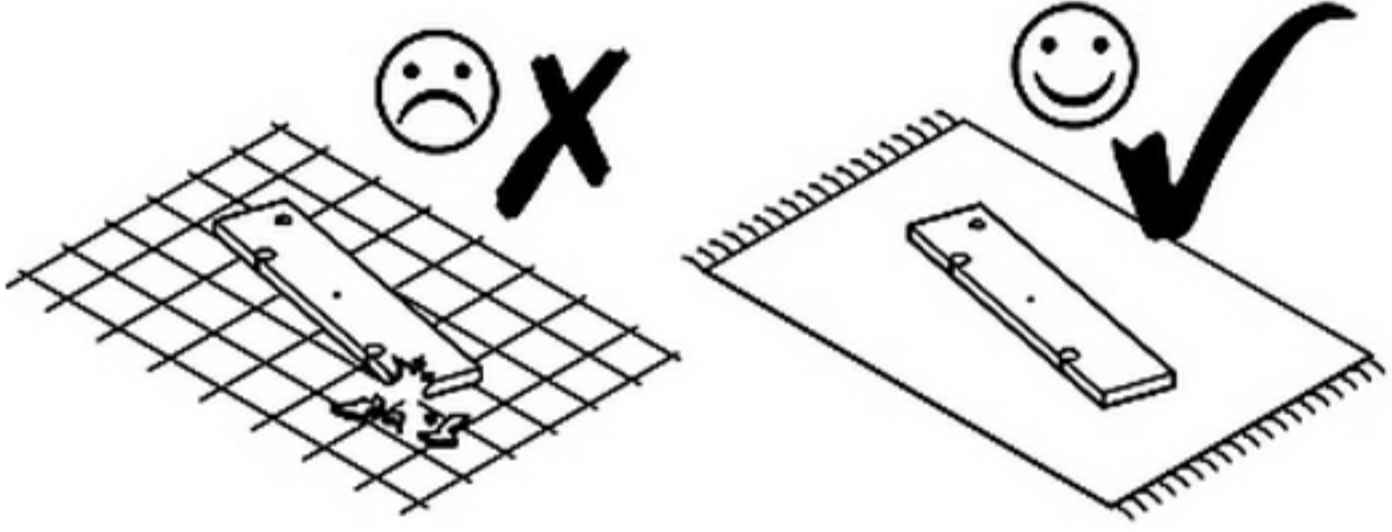
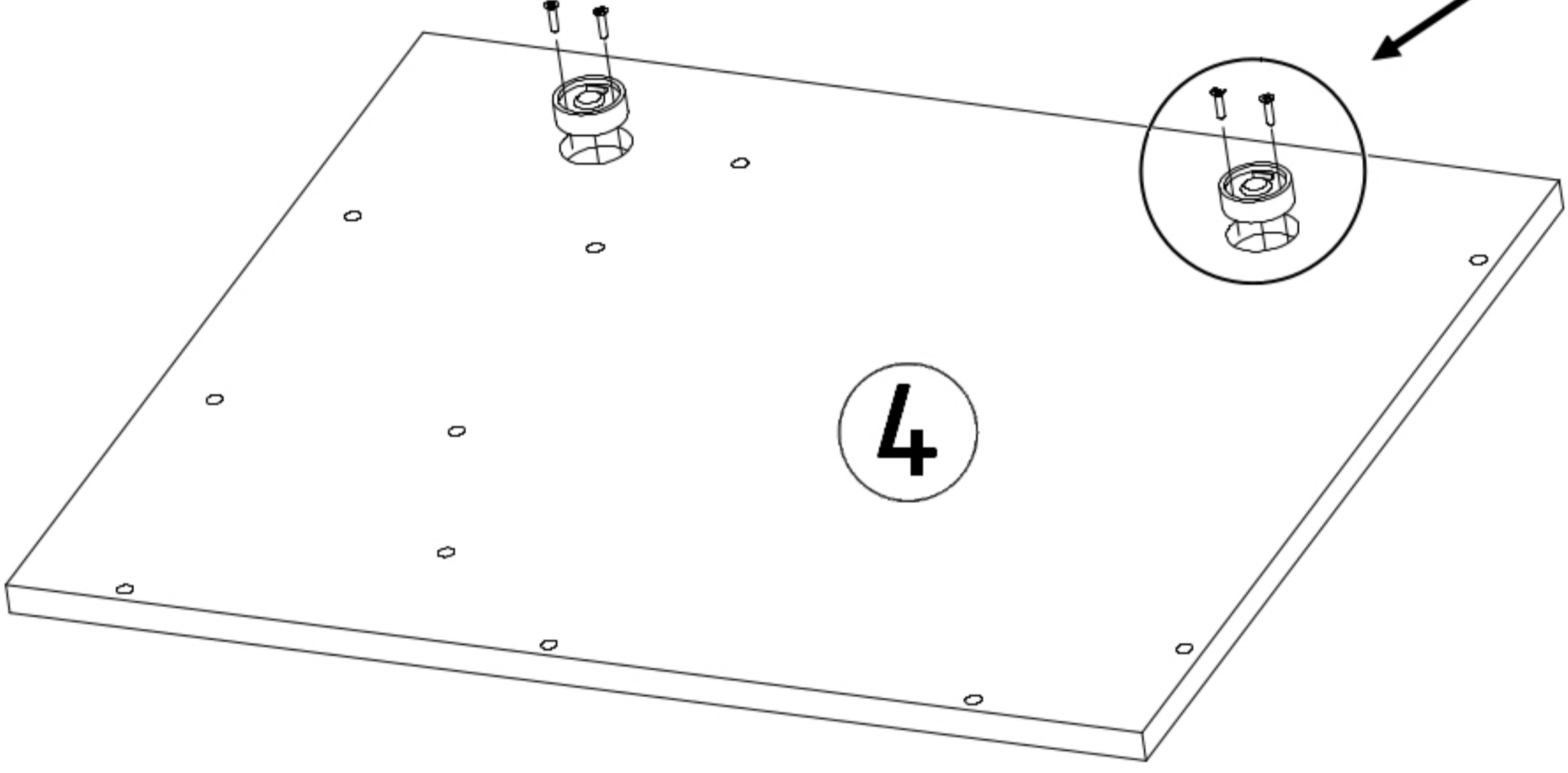




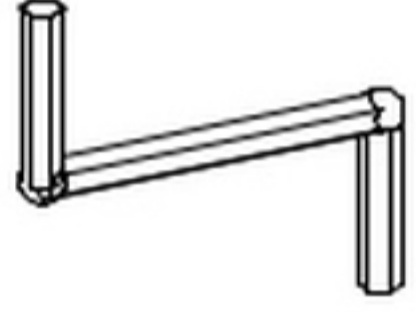
1	x 1
2	x 2
3	x 1
4	x 1
5	x 2
6	x 1
7	x 1

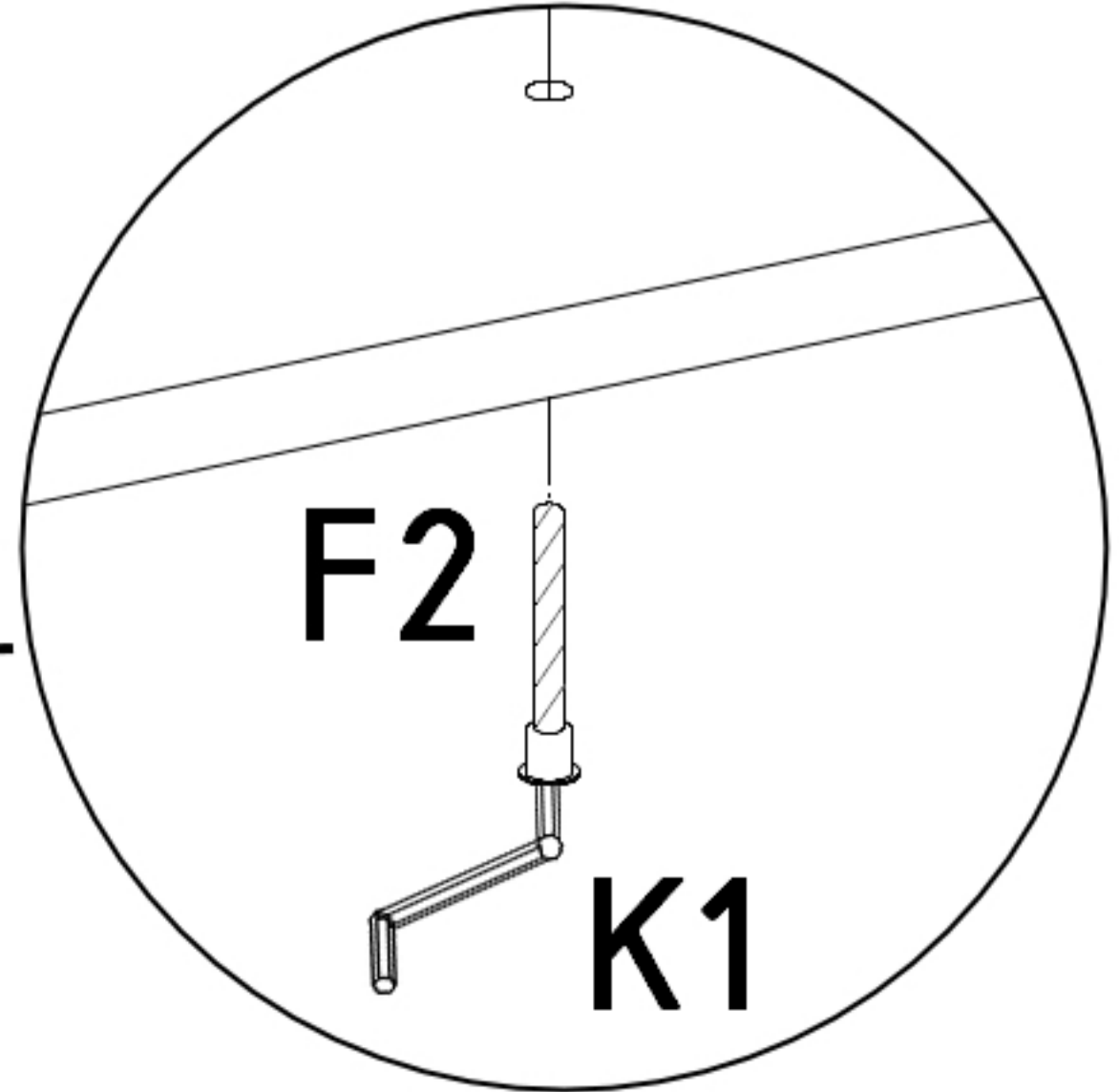
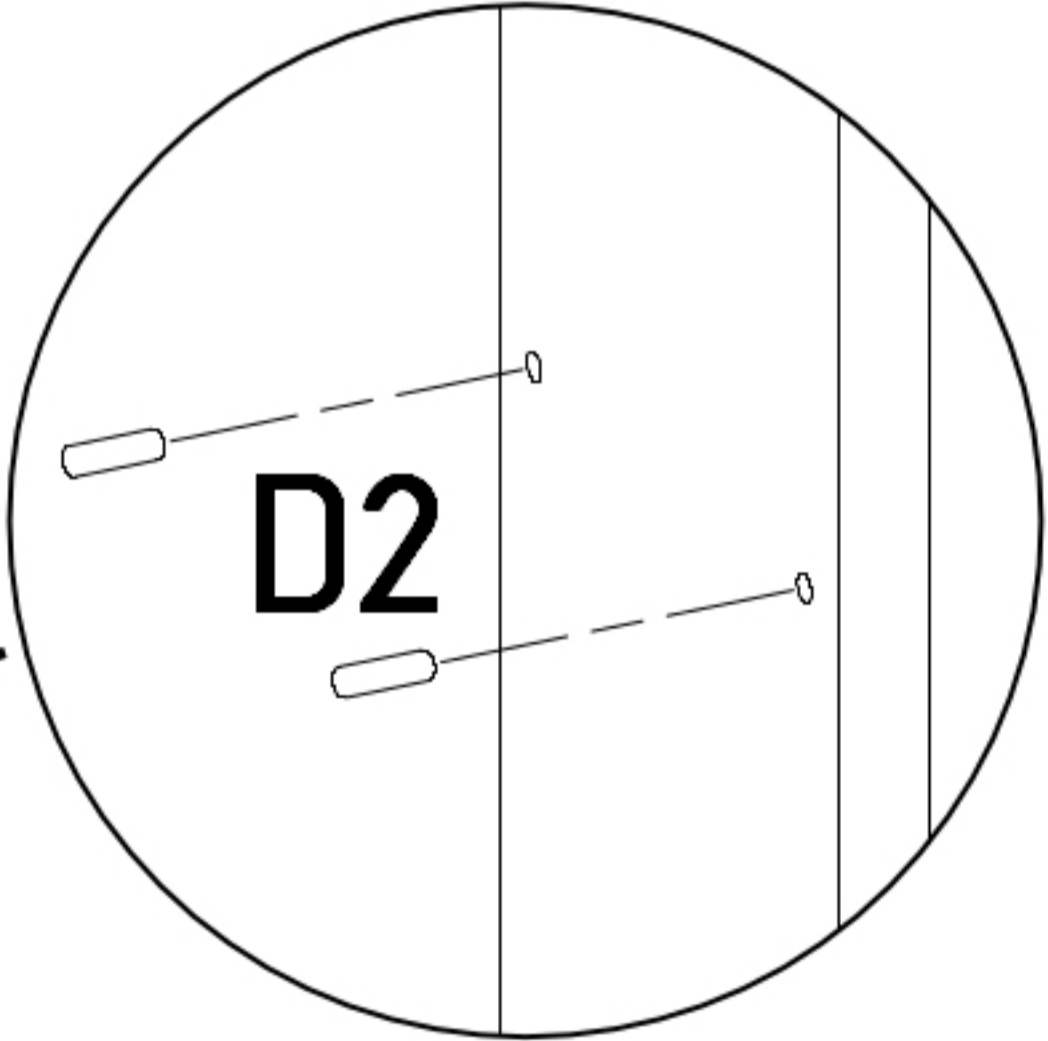
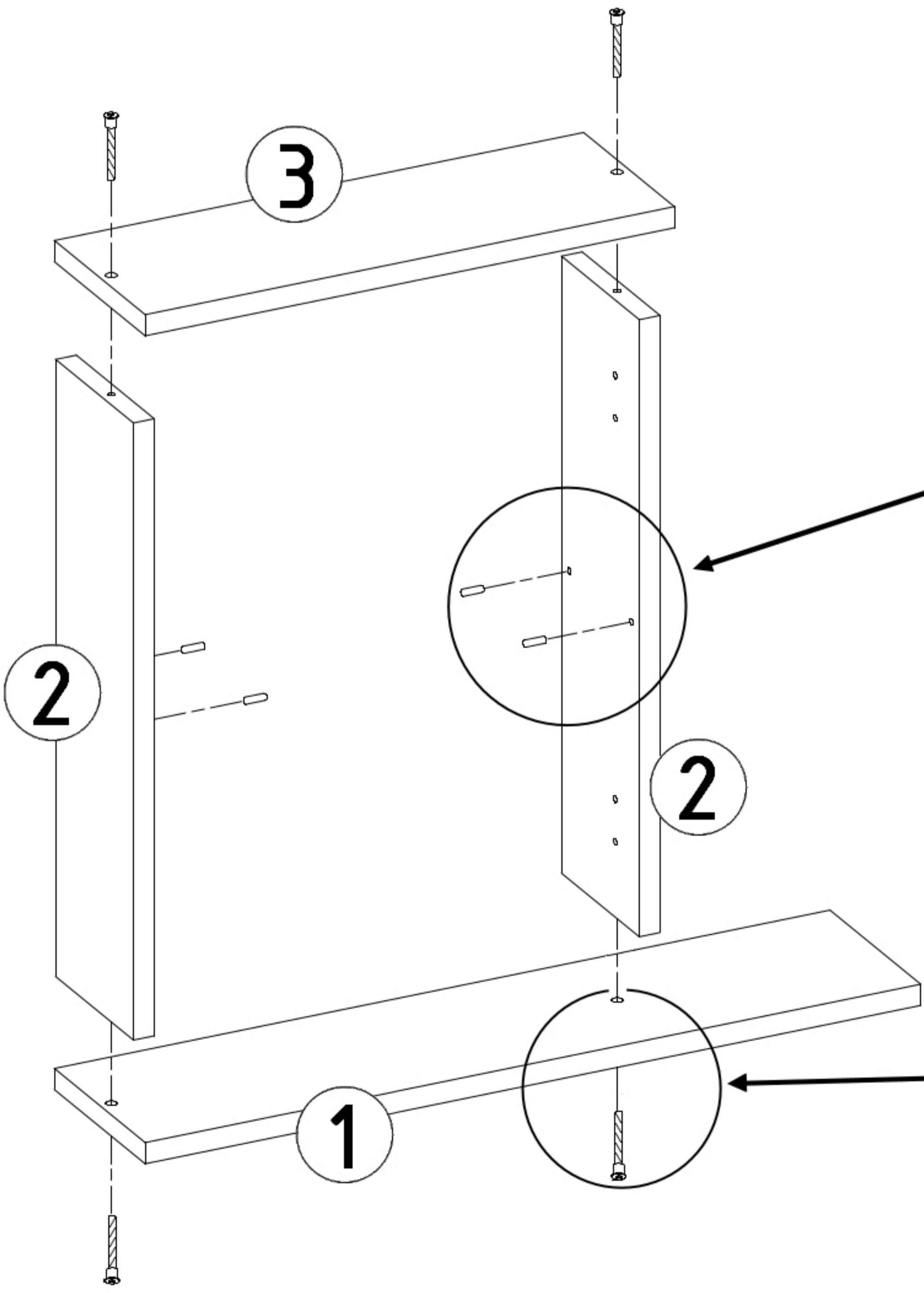


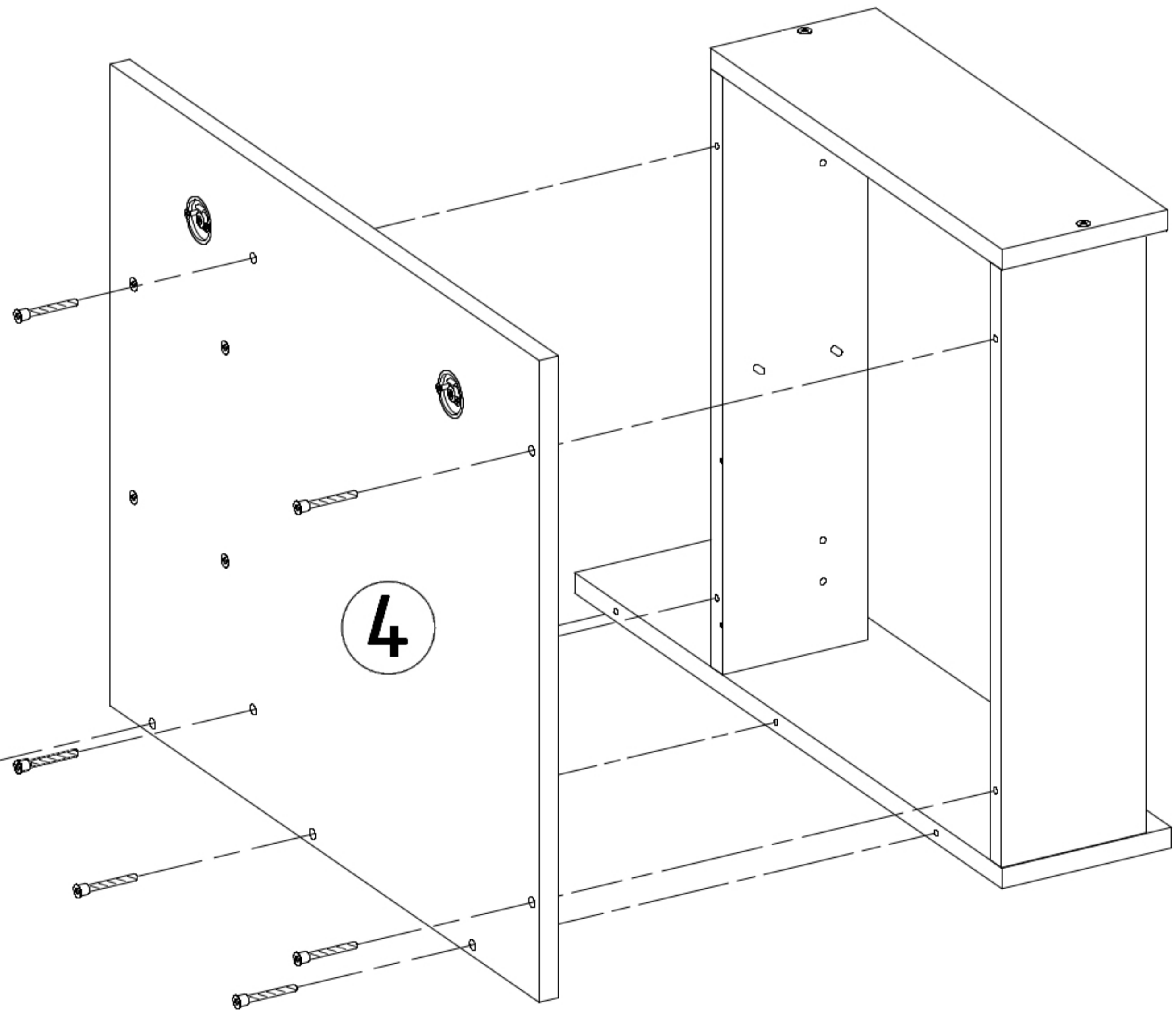
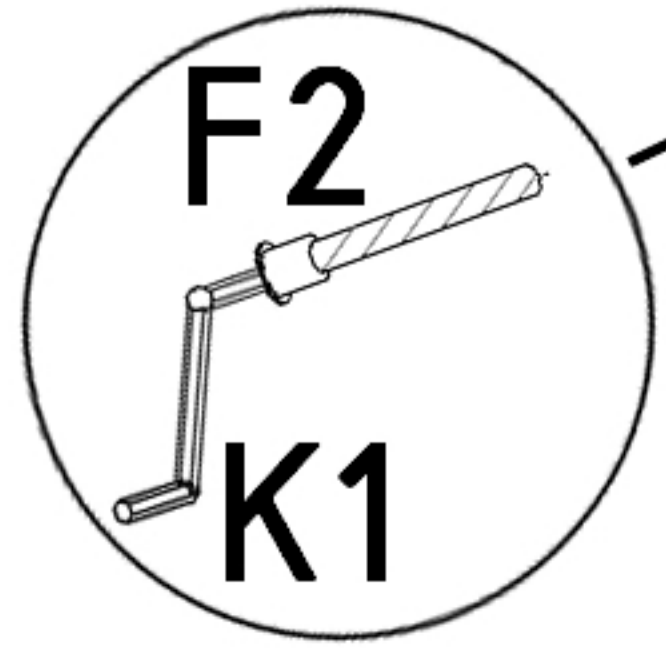
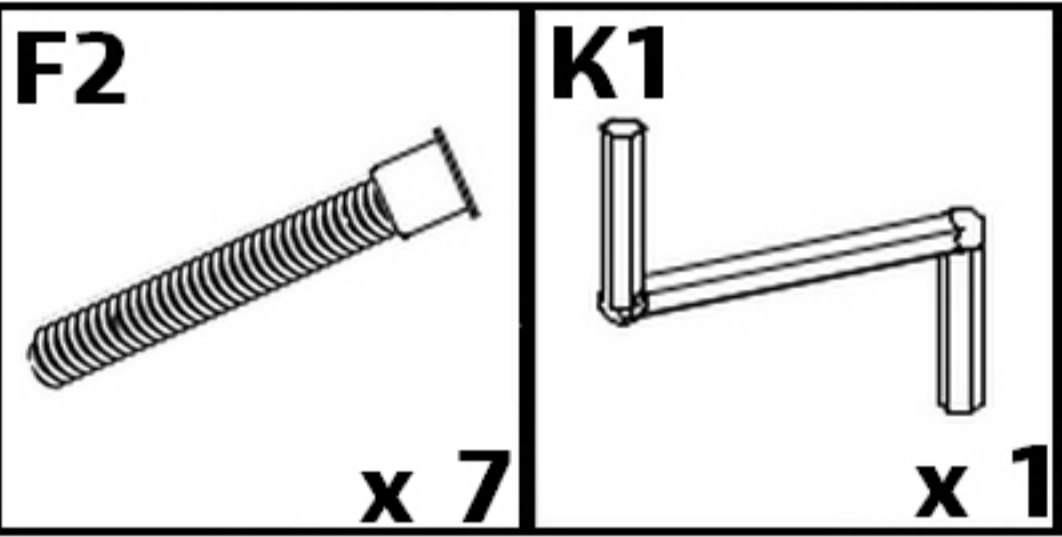
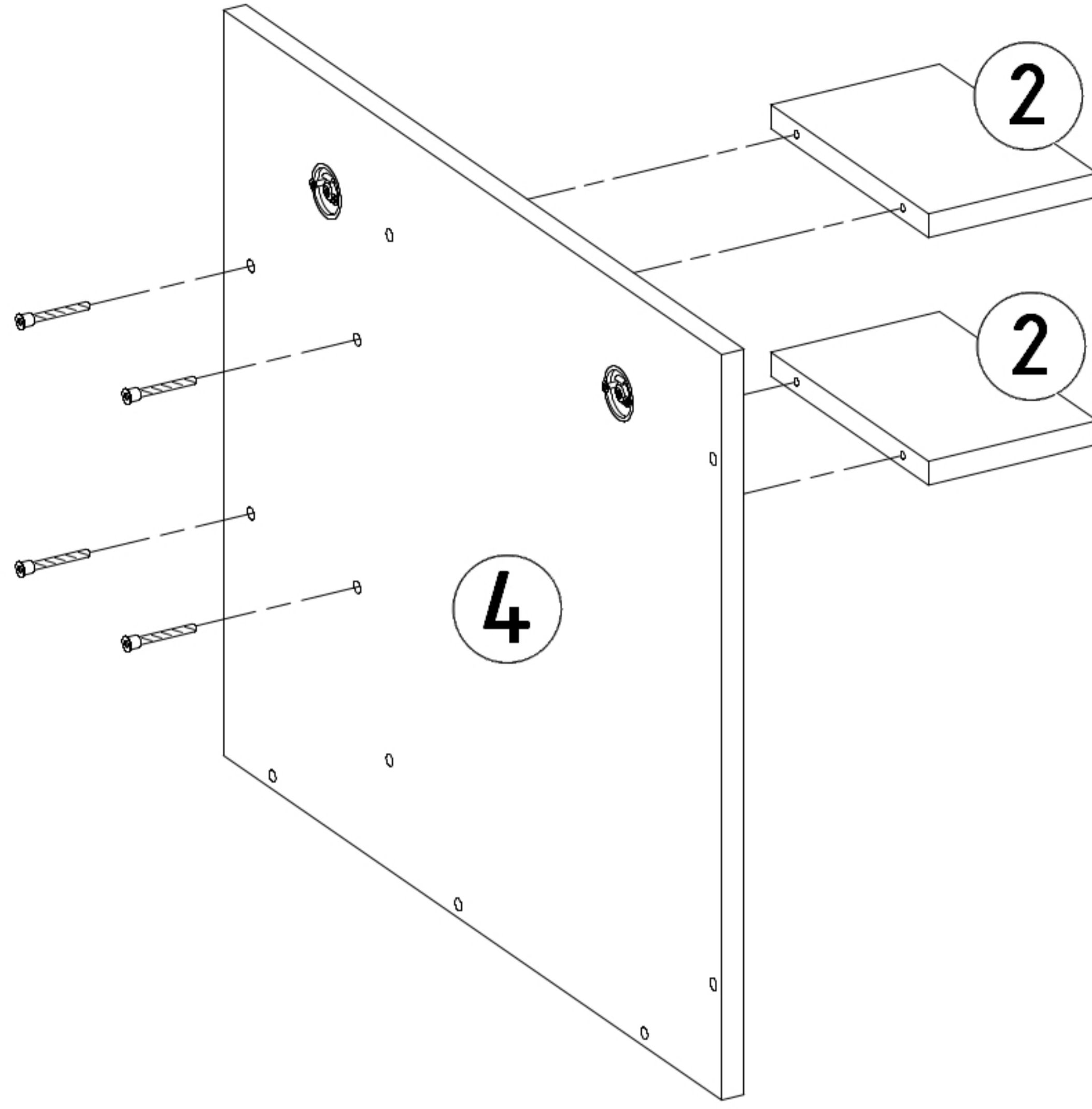
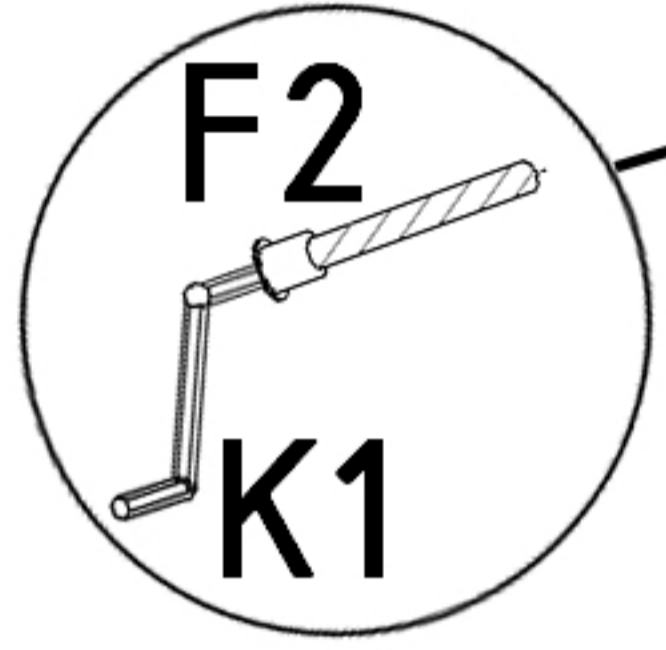
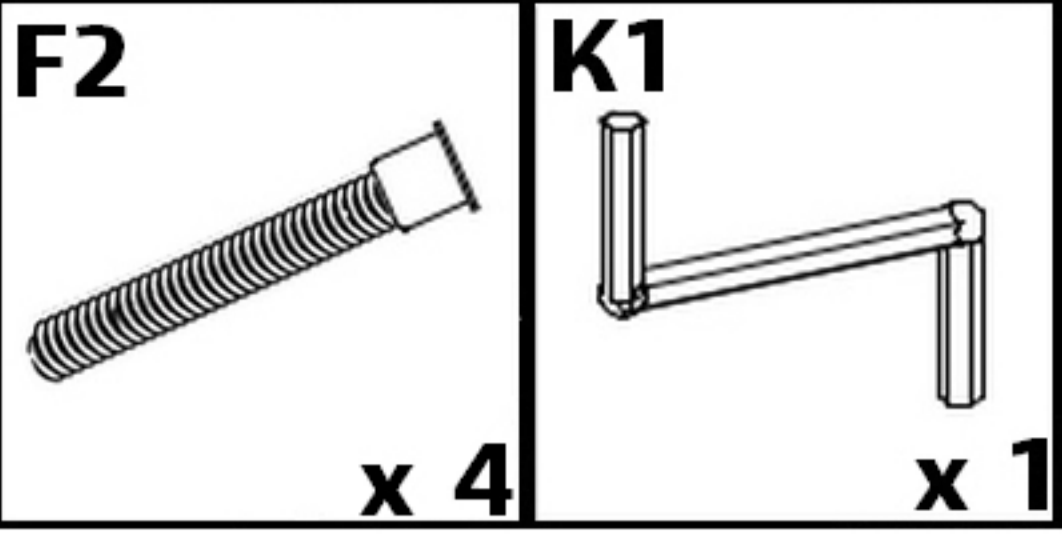
<b>D12</b>  <b>x 2</b>	<b>S15</b>  <b>6x8</b> <b>x 4</b>
---	---

<b>1</b>	 <b>D12</b>
<b>2</b>	 <b>S15</b>

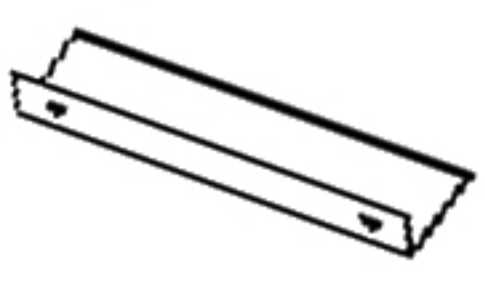
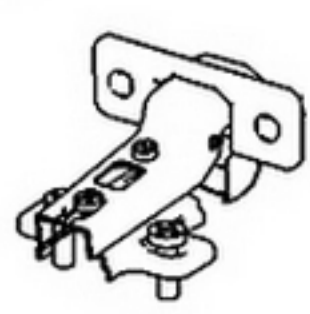



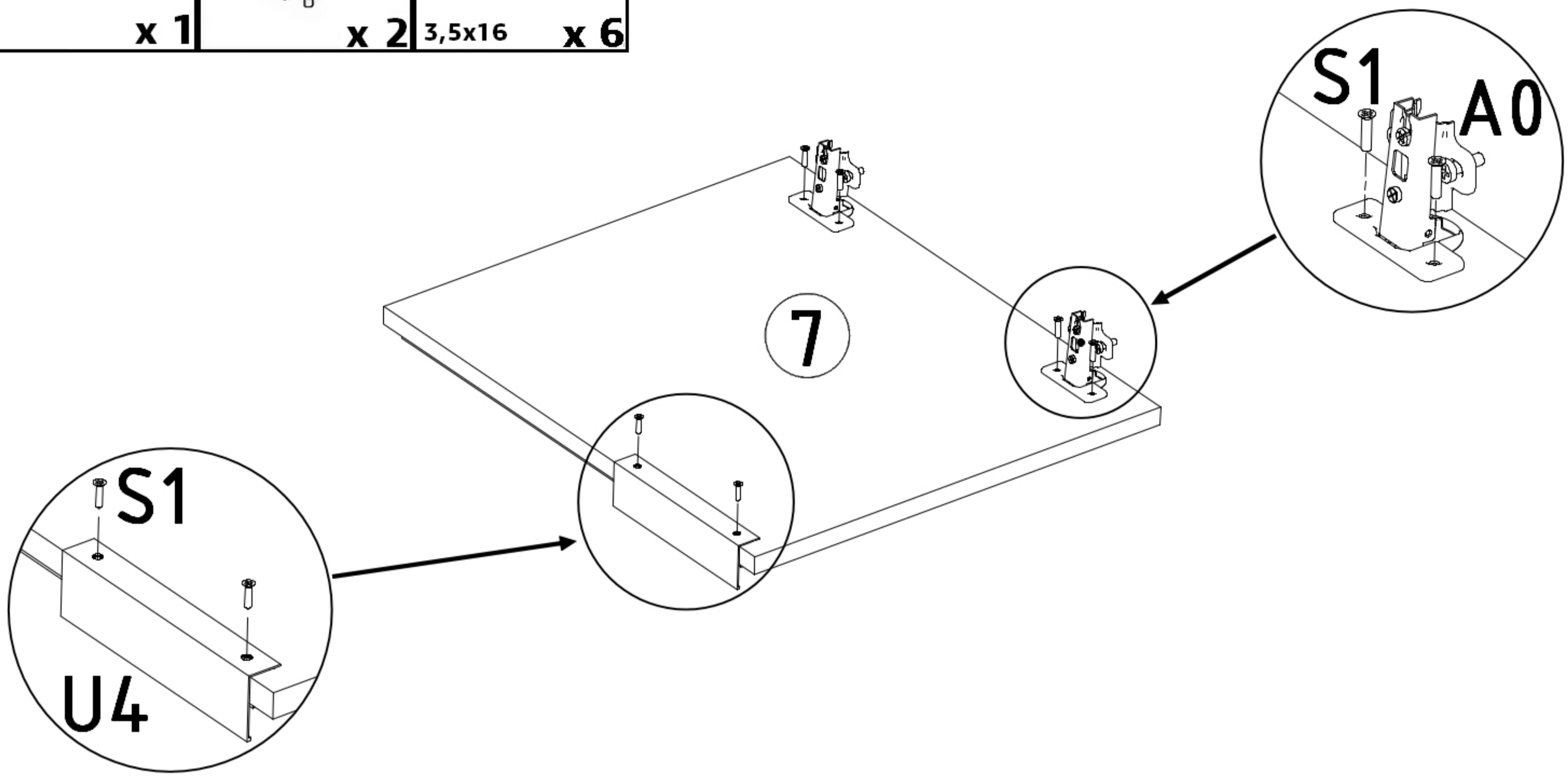
<b>F2</b>  <b>x 4</b>	<b>D2</b>  <b>x 4</b>	<b>K1</b>  <b>x 1</b>
---	--	--








<b>U4</b>  <b>x 1</b>	<b>A0</b>  <b>x 2</b>	<b>S1</b>  <b>3,5x16 x 6</b>
---	--	---



<b>F1</b>  <b>x 4</b>
--

